



Me163B KOMET

High Quality Scale Model Kit



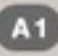

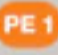
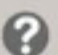
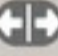
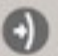





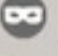

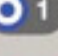


1/48 scale







Color Reference

RLM - 02	 Grau (Grey)
RLM - 04	 Gelb (Yellow)
RLM - 21	 White
RLM - 22	 Black
RLM - 23	 Rot (Red)
RLM - 24	 Dunkelblau
RLM - 66	 Black Grey
RLM - 76	 Light Blue Grey
RLM - 81	 Brown Violet
RLM - 82	 Light Green
RAF Trainer Yellow	 RAF Trainer Yellow
RAF Dark Green	 RAF Dark Green
Exhaust	 Exhaust
Aluminium	 Aluminium

Symbols Reference

	Attention		Cut/Remove
	Part Number		Hole
	Photo Etched		Option
	Symmetry		Bend
	Glue		Saw
	Do not glue		Smooth
	Paint		Mask
	Do not paint		Apply Decal
	Color		Do not use

Tips and tricks

-  STUDY INSTRUCTIONS CAREFULLY.
-  USE PHOTO ETCHED SAW FOR CUTTING SMALL THIN PARTS FROM SPRUE TREE.
-  USE CA (CYANOACRYLATE) OR WHITE GLUE FOR DIFFERENT MATERIALS.
-  TAKE BASIC SAFETY PRECAUTIONS.

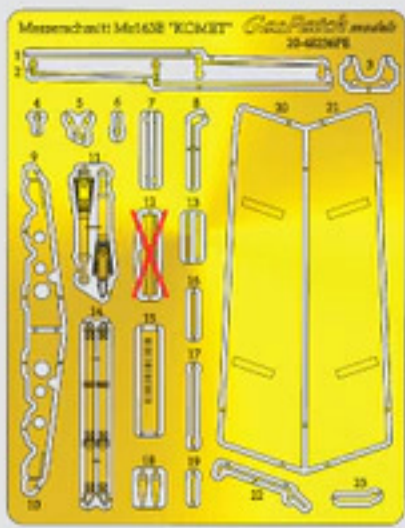
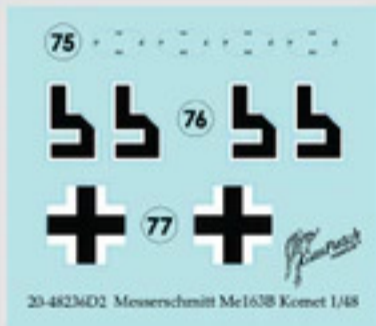


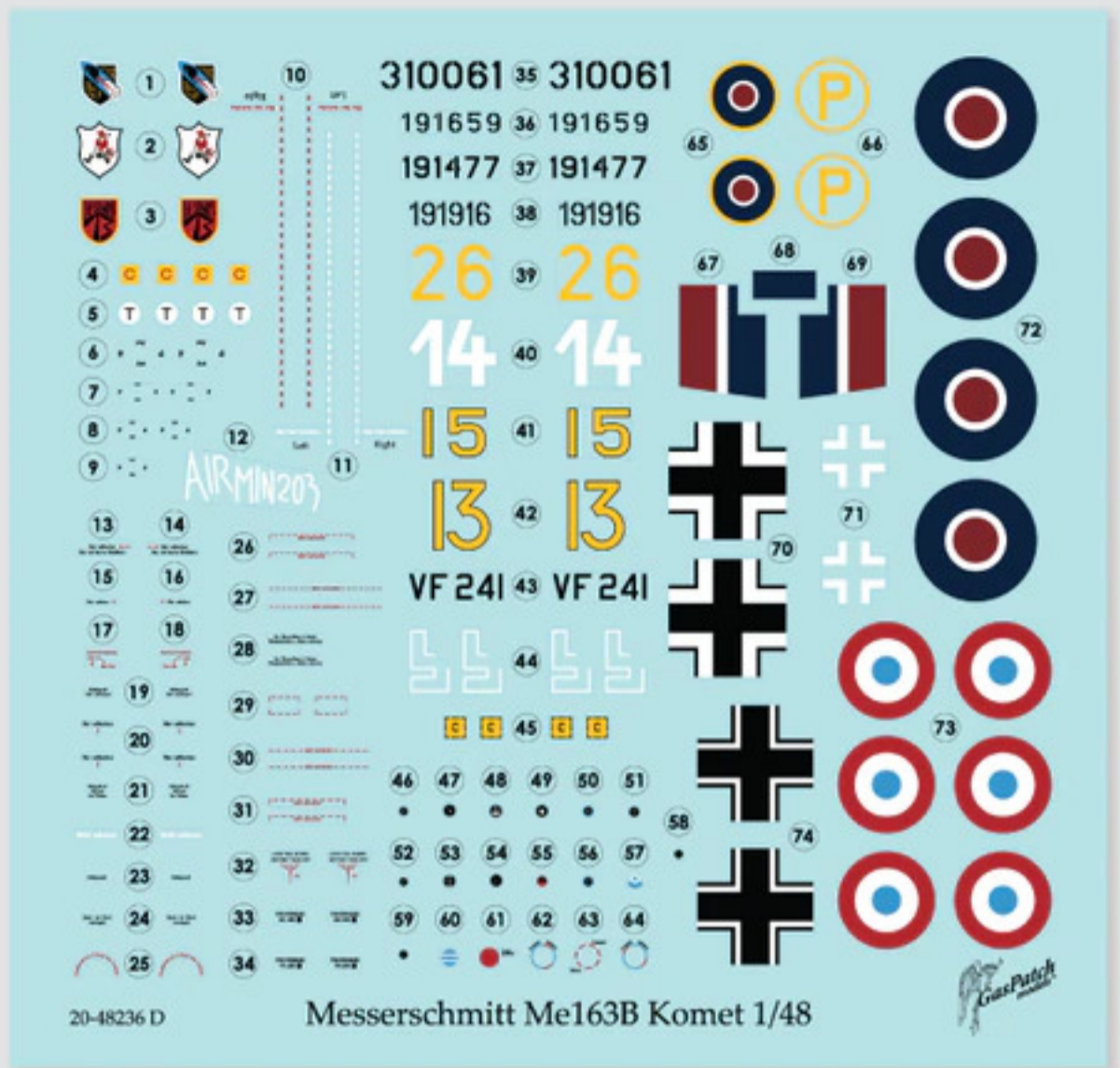
Photo Etched



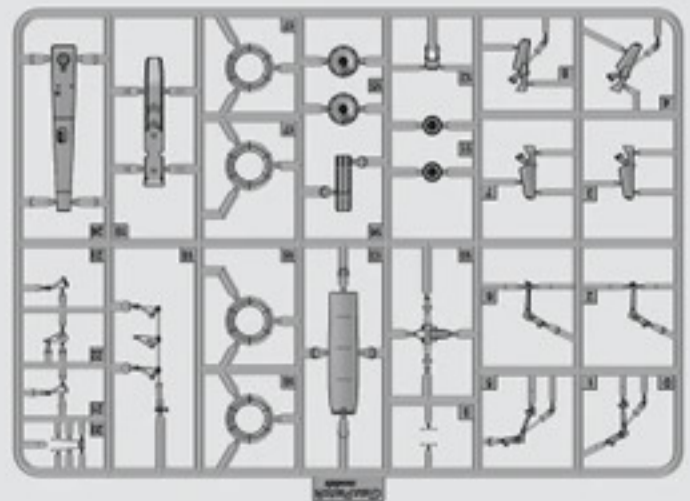
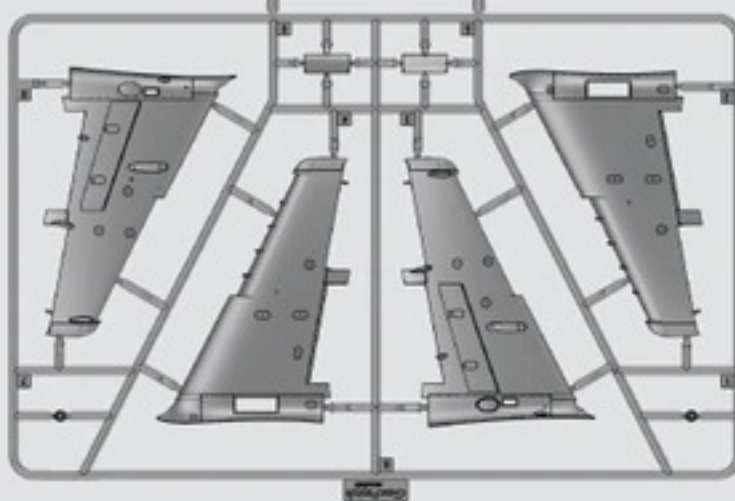
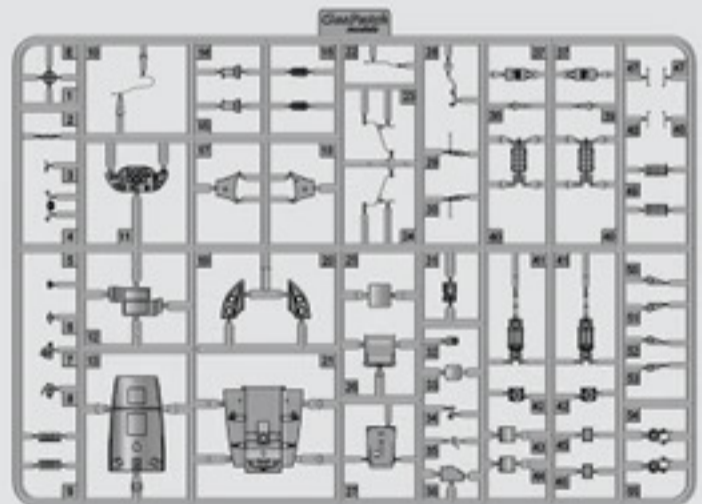
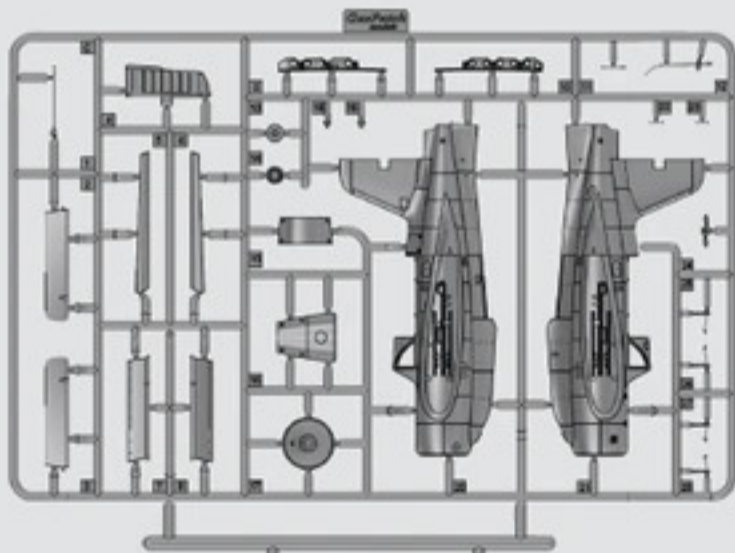
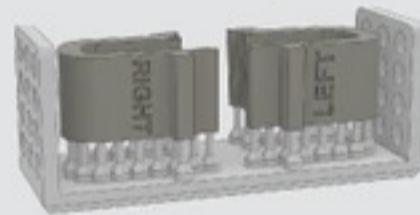
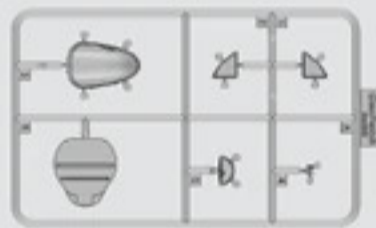
Vinyl Mask



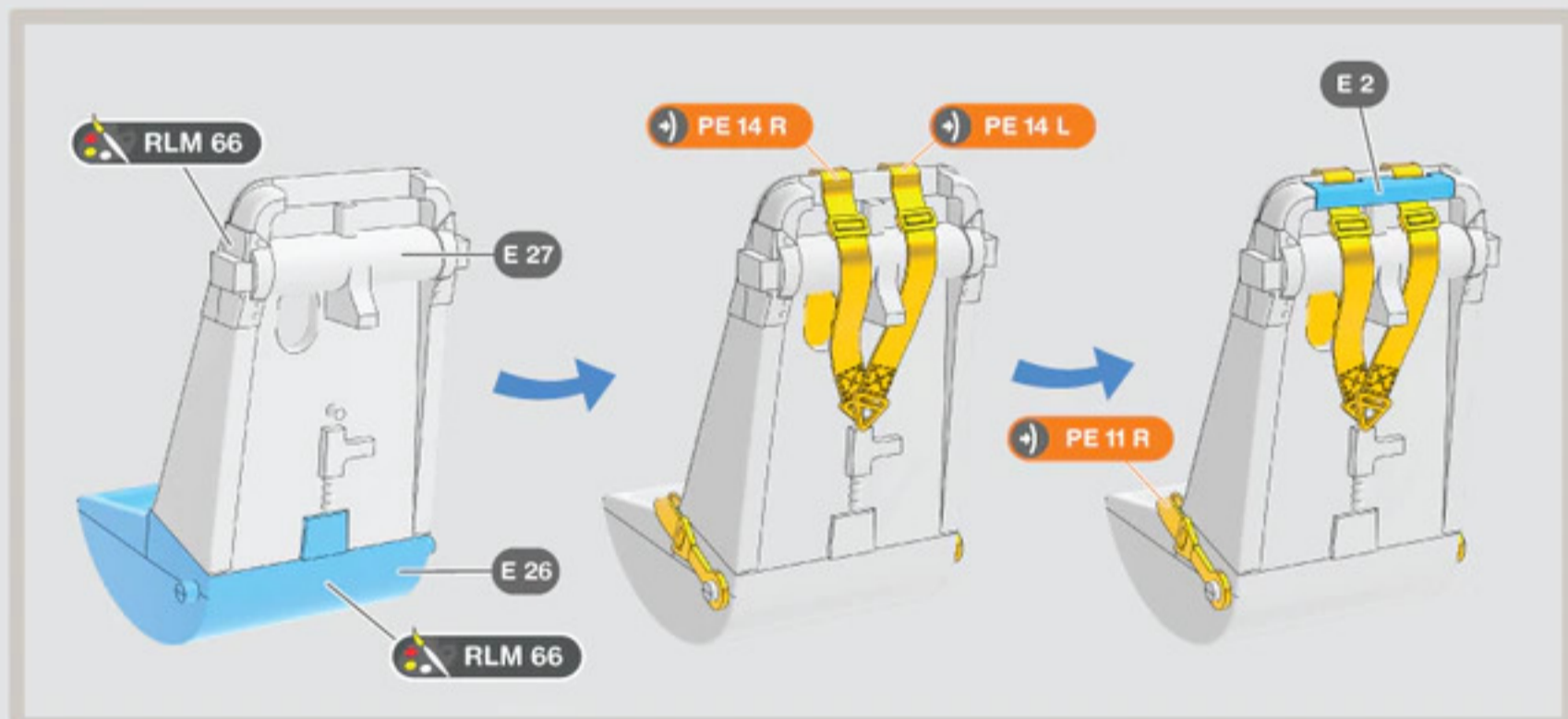
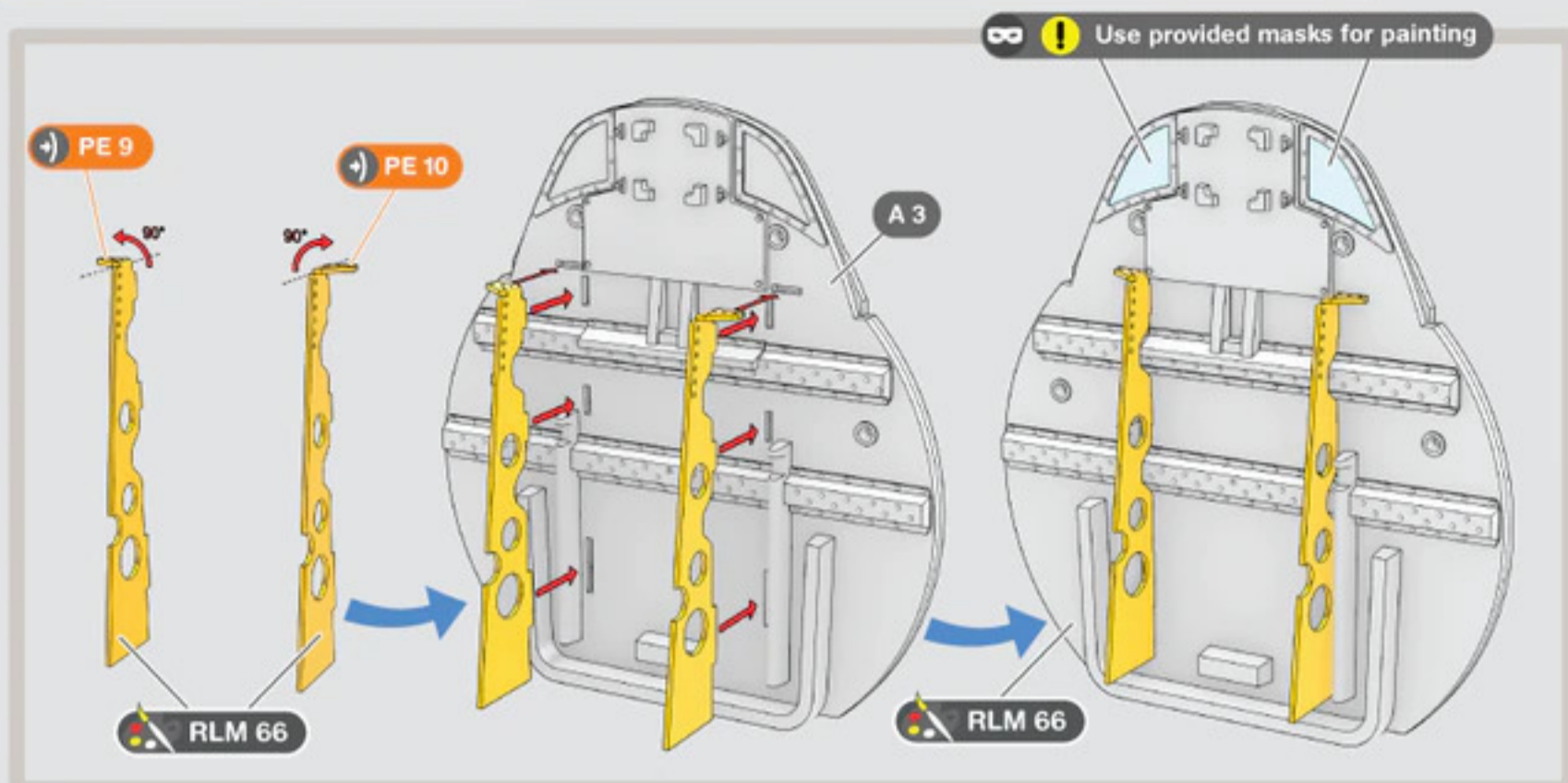
Decal sheet 2



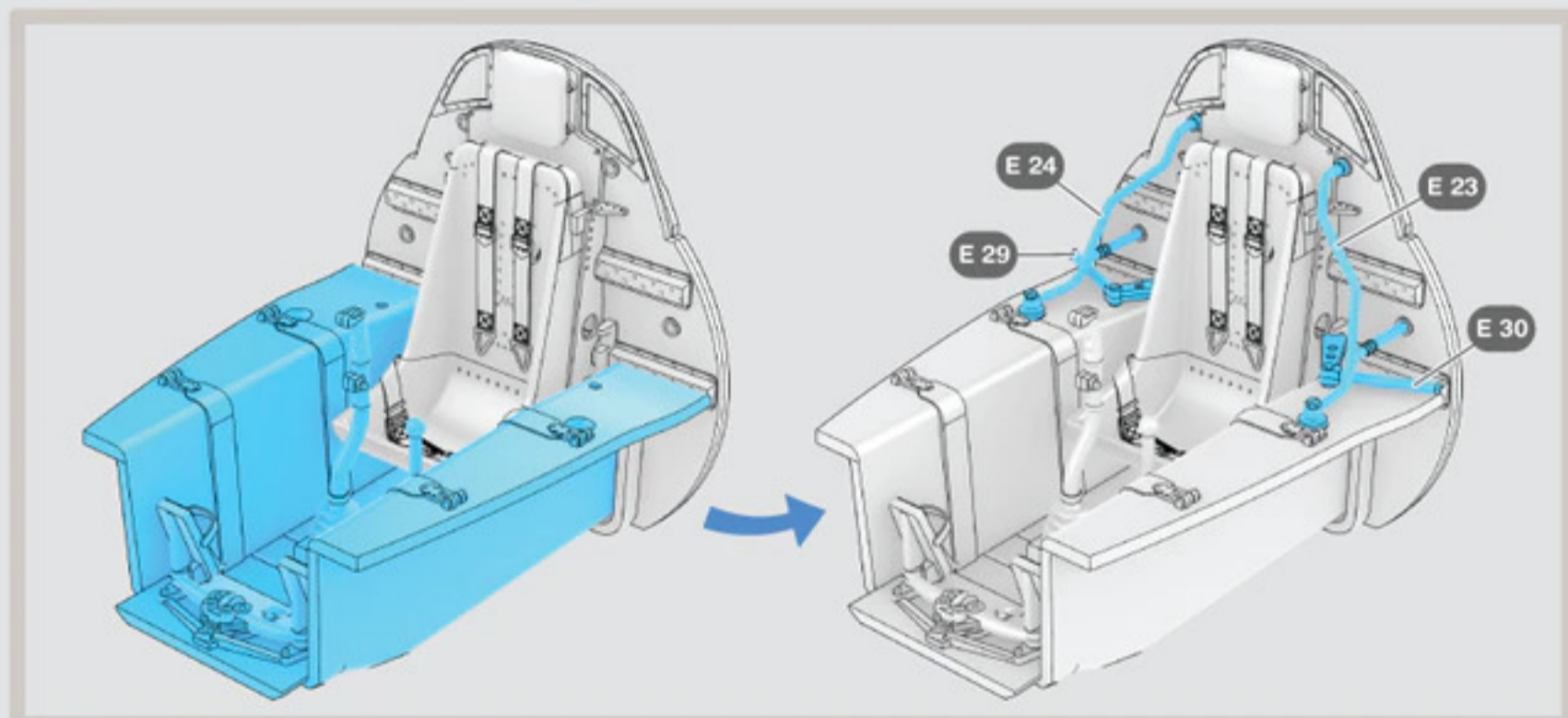
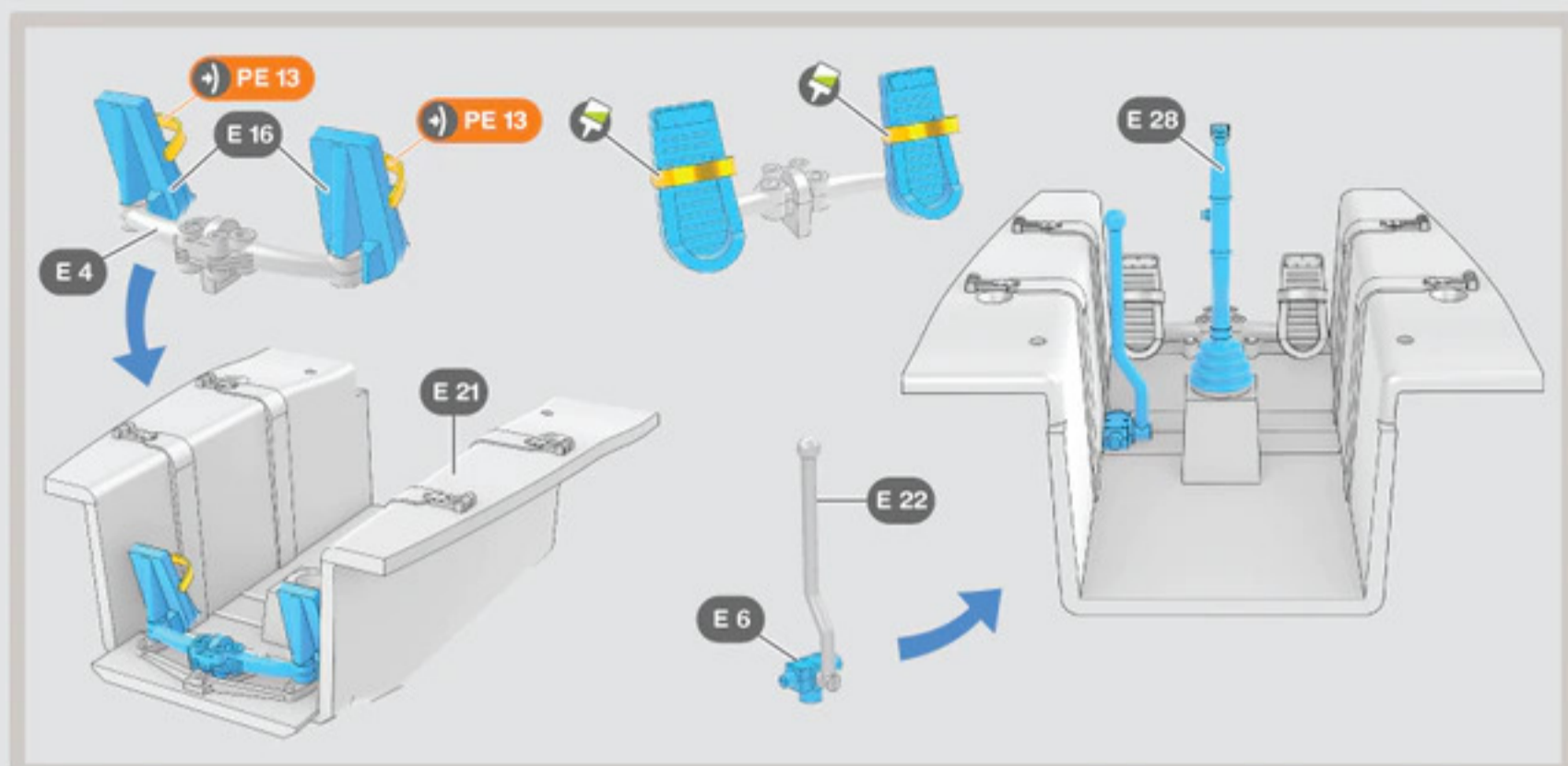
Decal sheet 1



1 Building pilot's seat

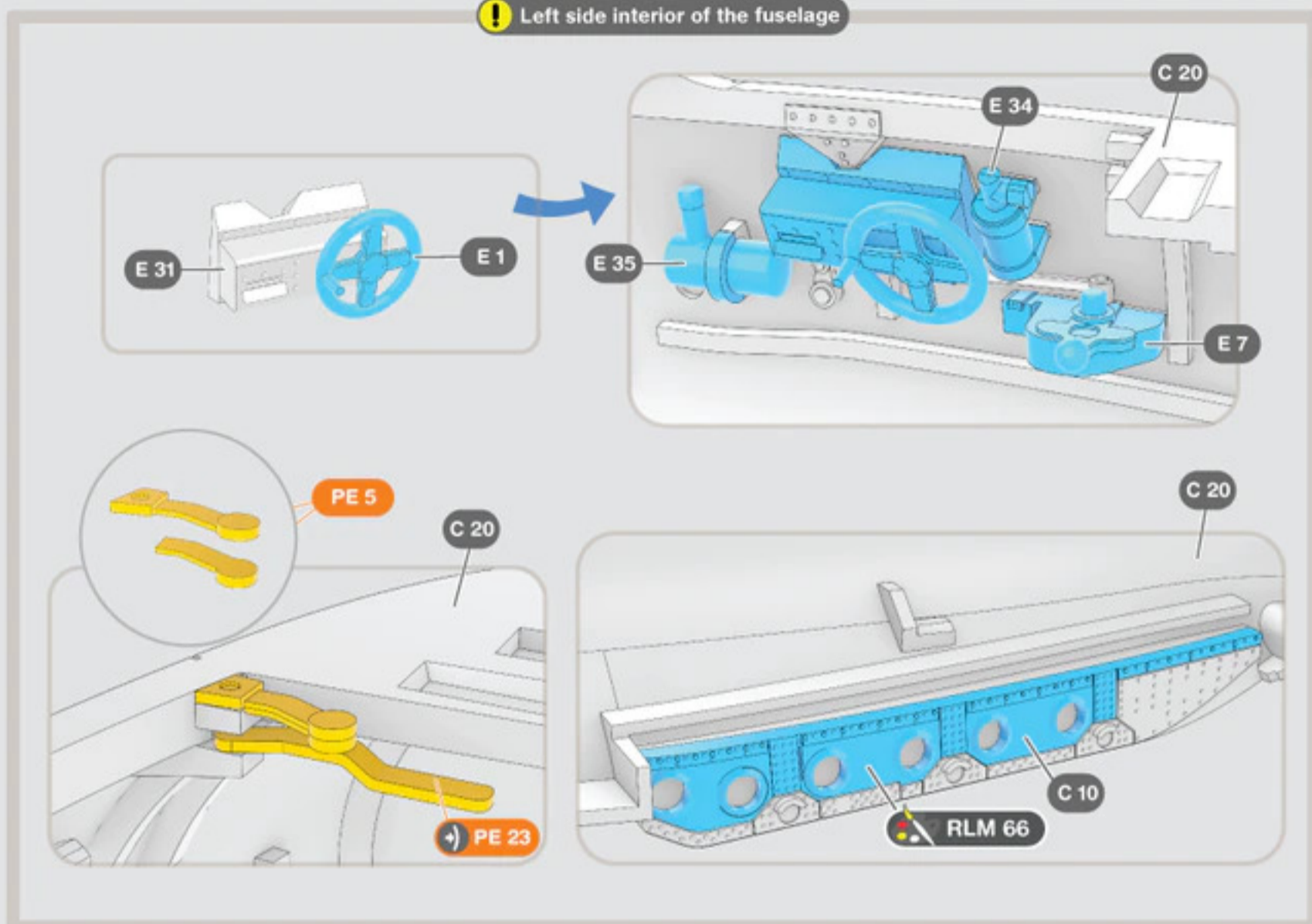


2 Cockpit tub assembly

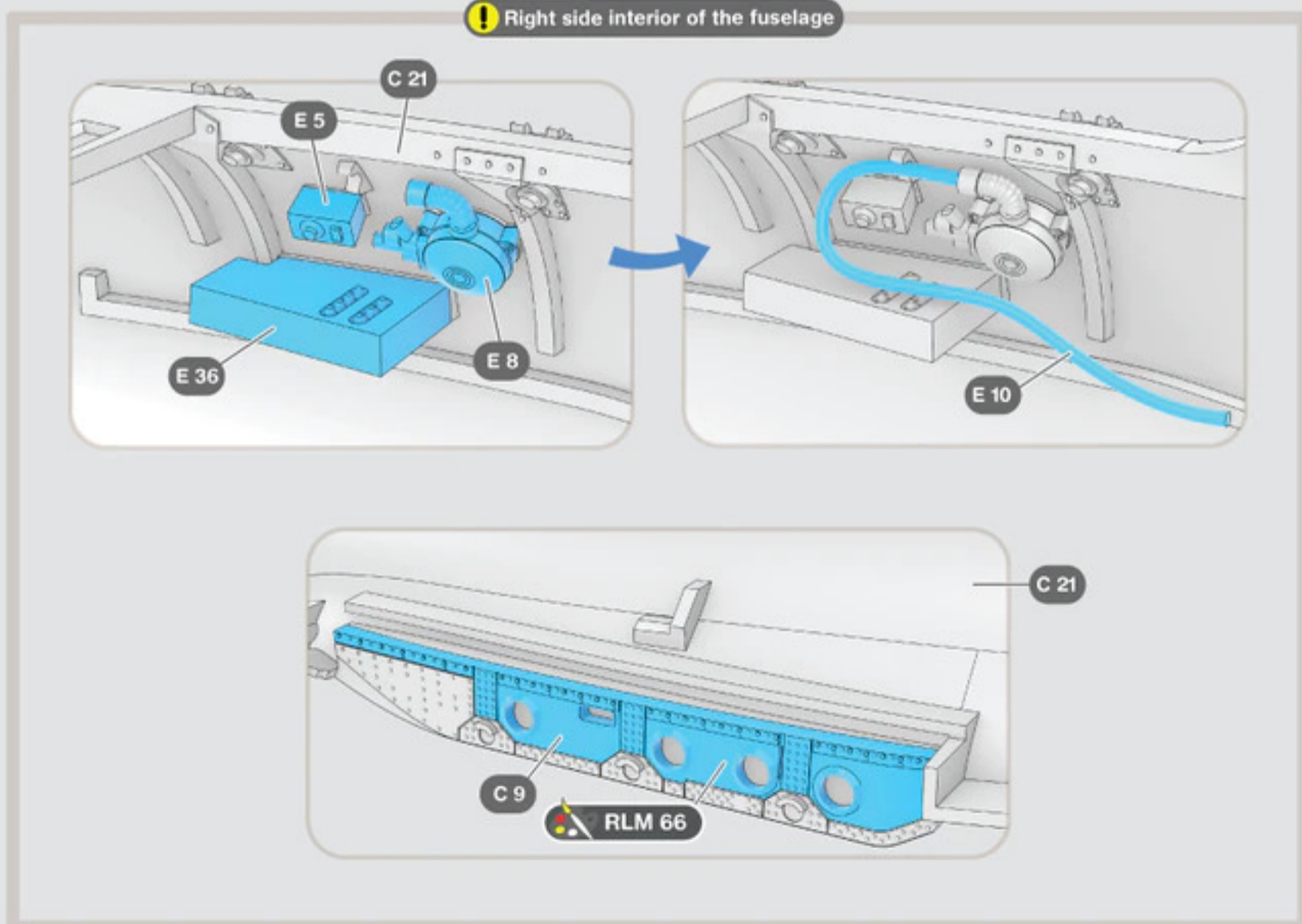


3 Fuselage interior components assembly

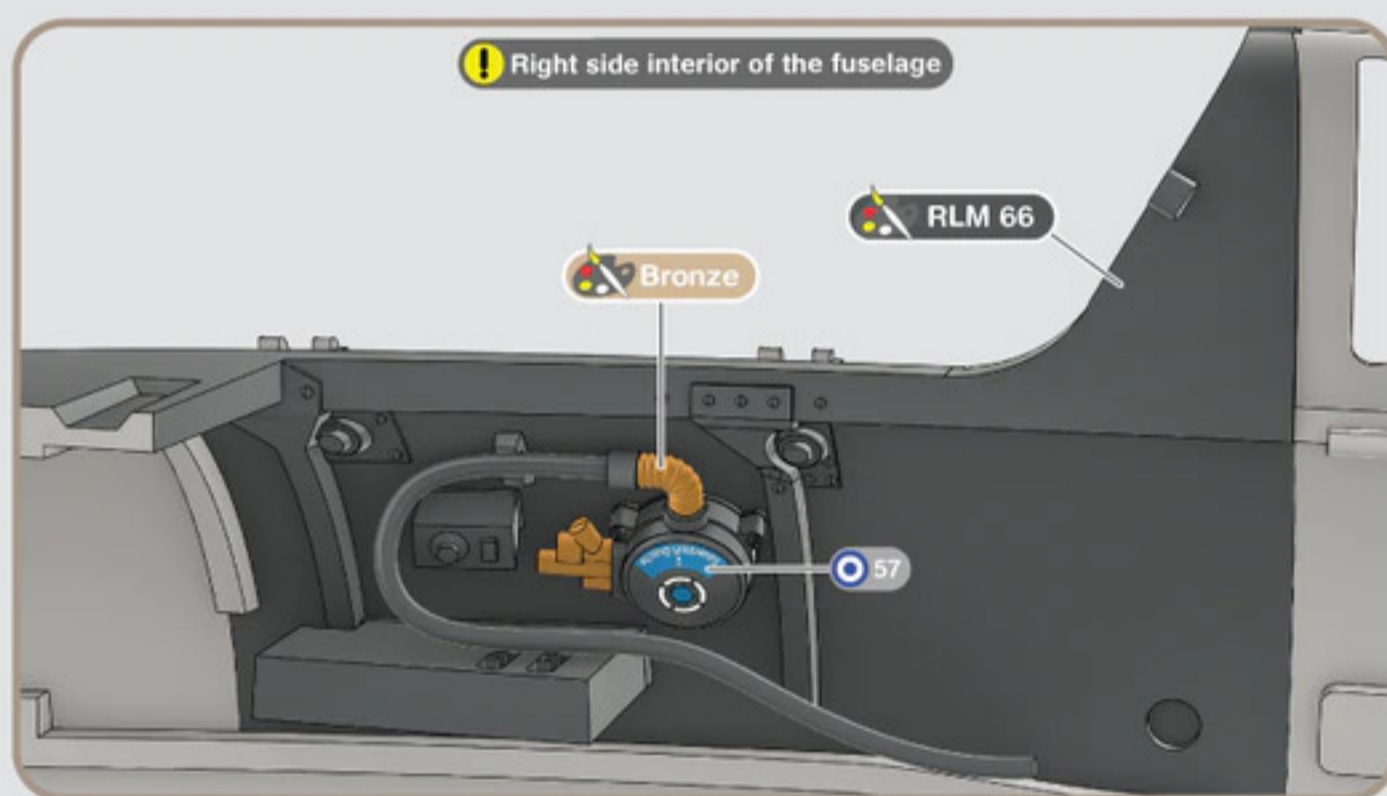
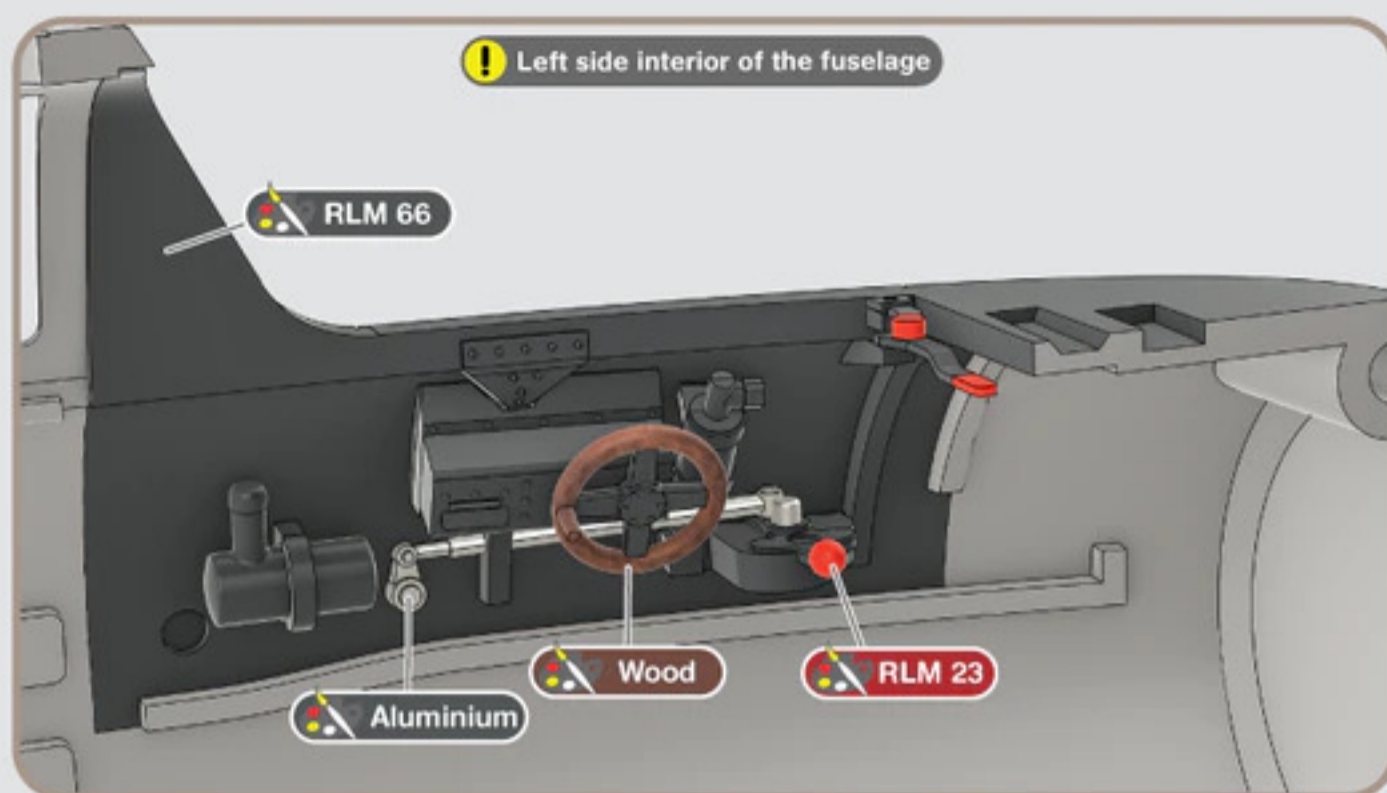
! Left side interior of the fuselage



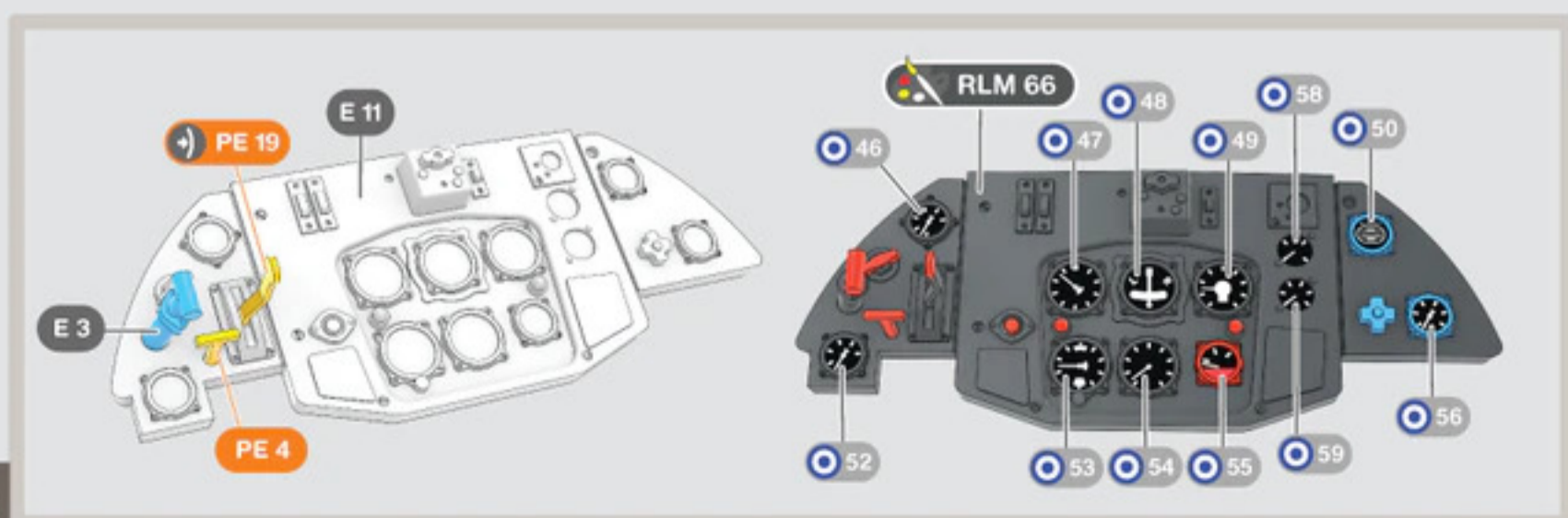
! Right side interior of the fuselage



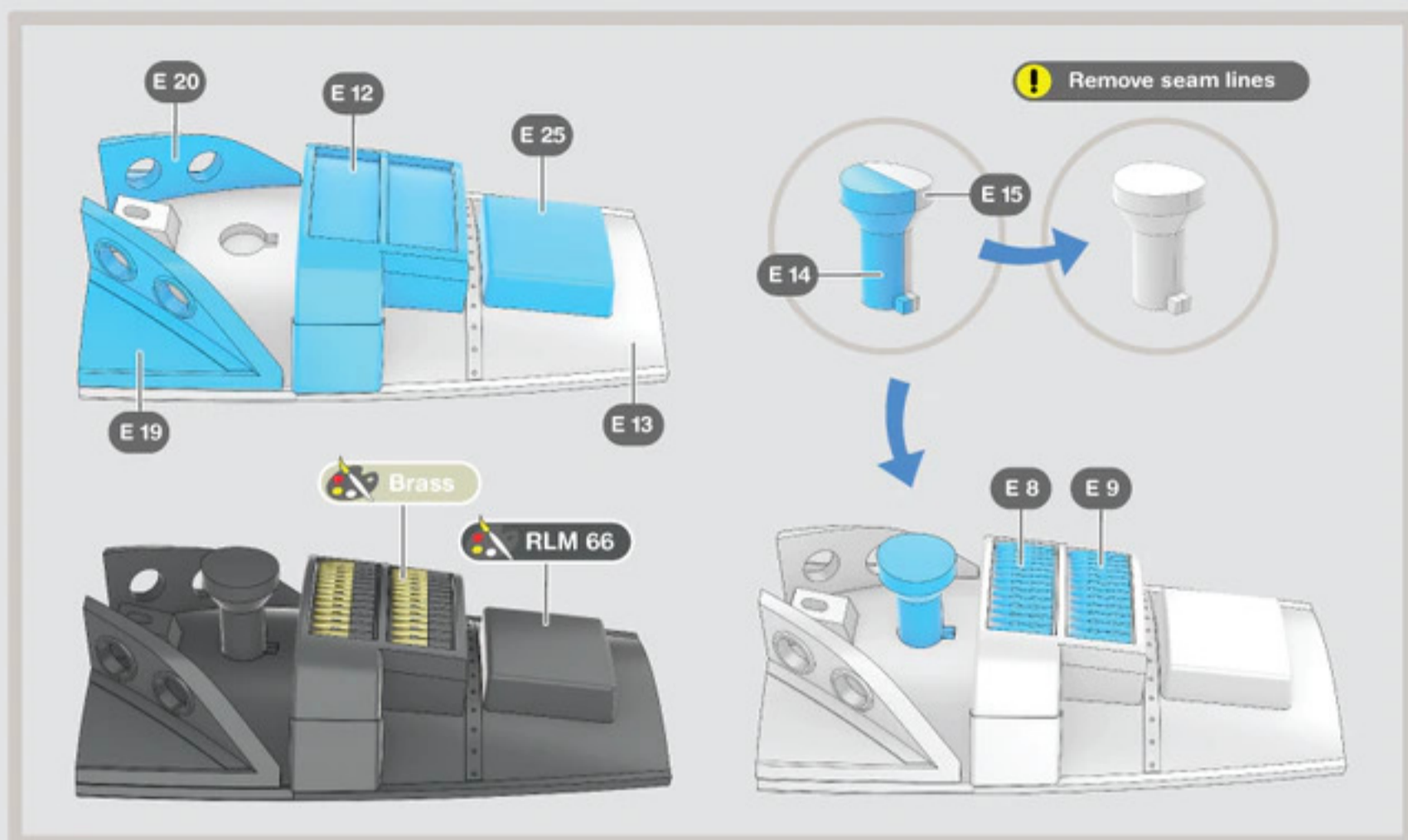
4 Painting fuselage interior



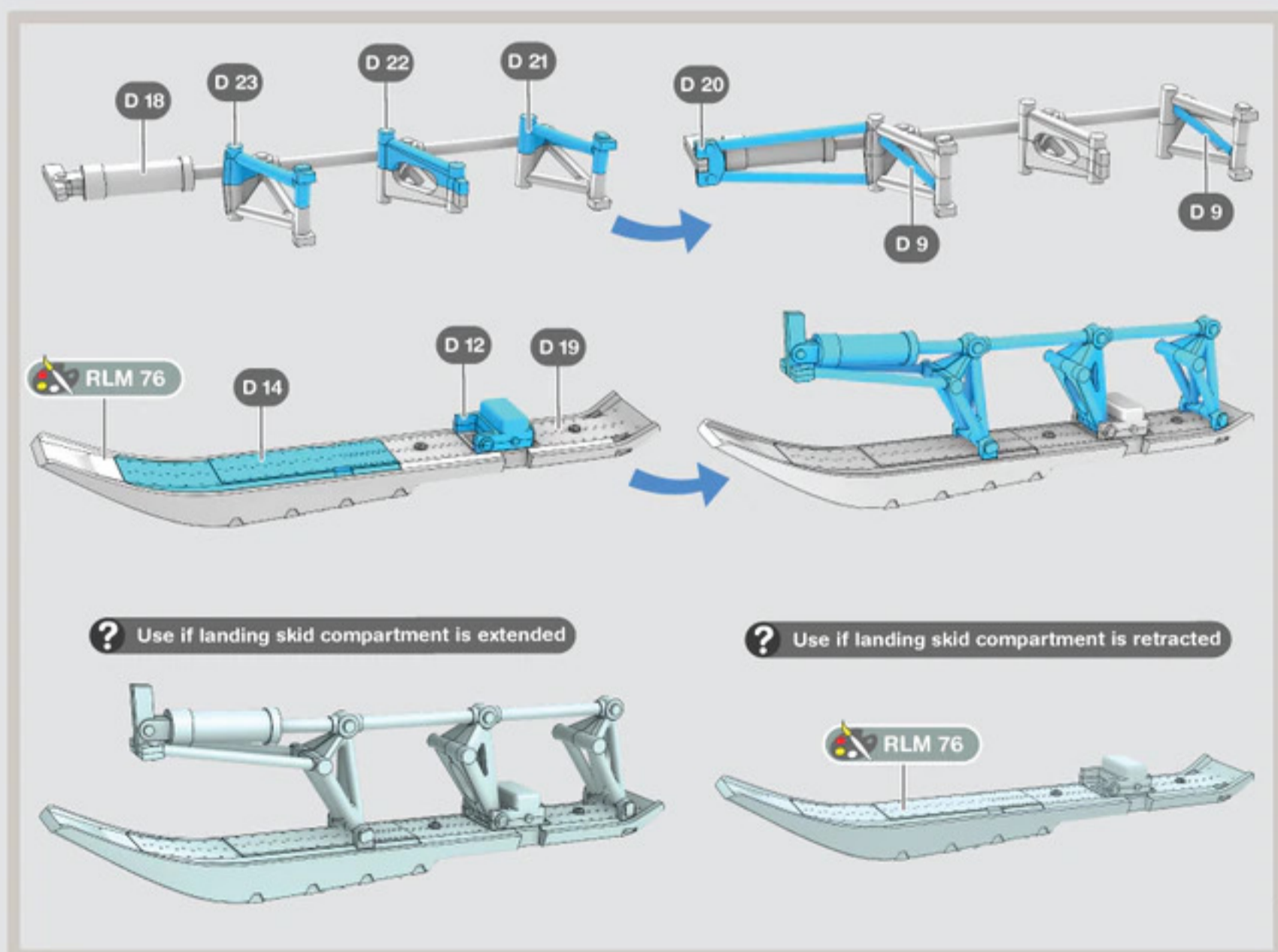
5 Building instruments panel



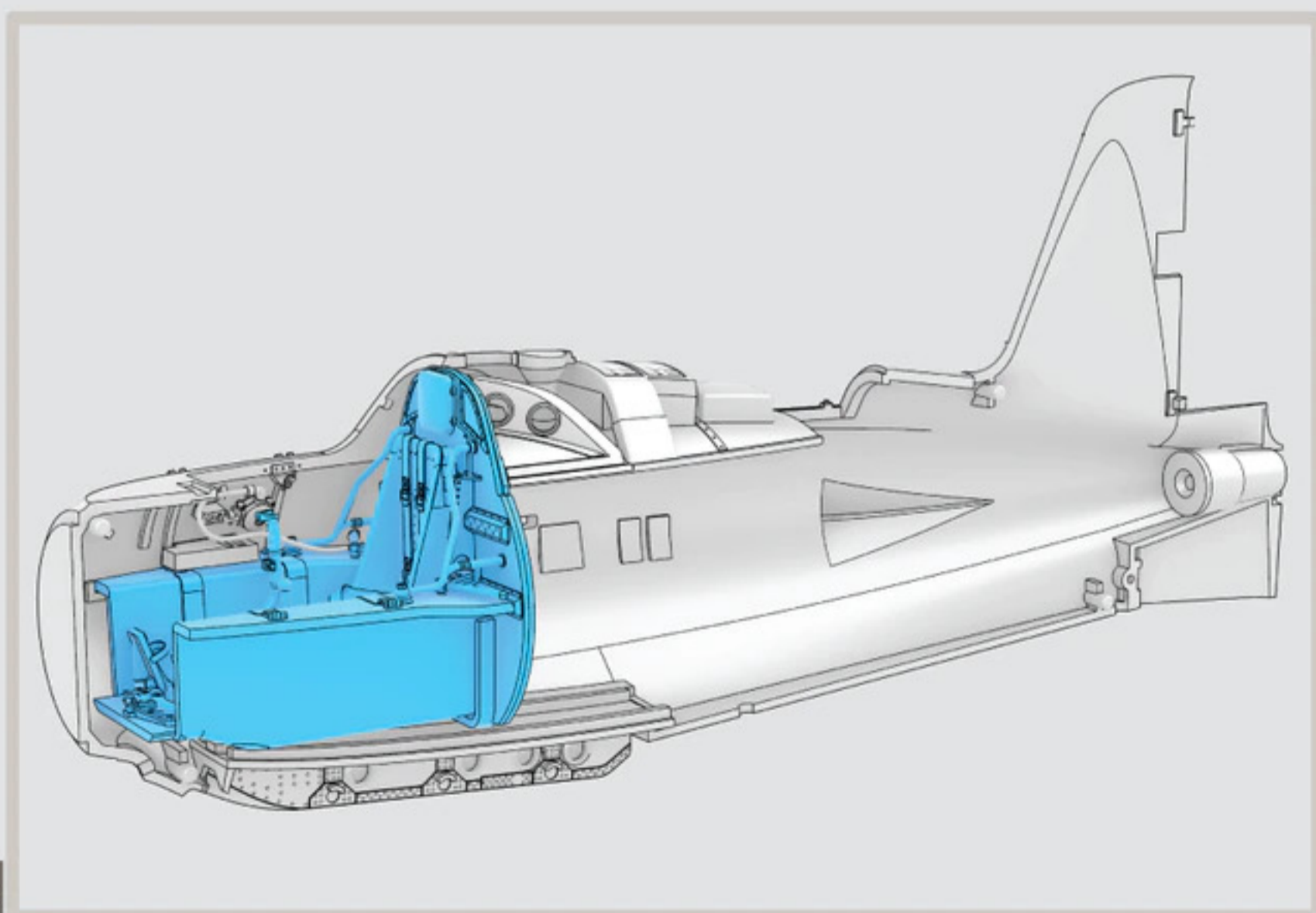
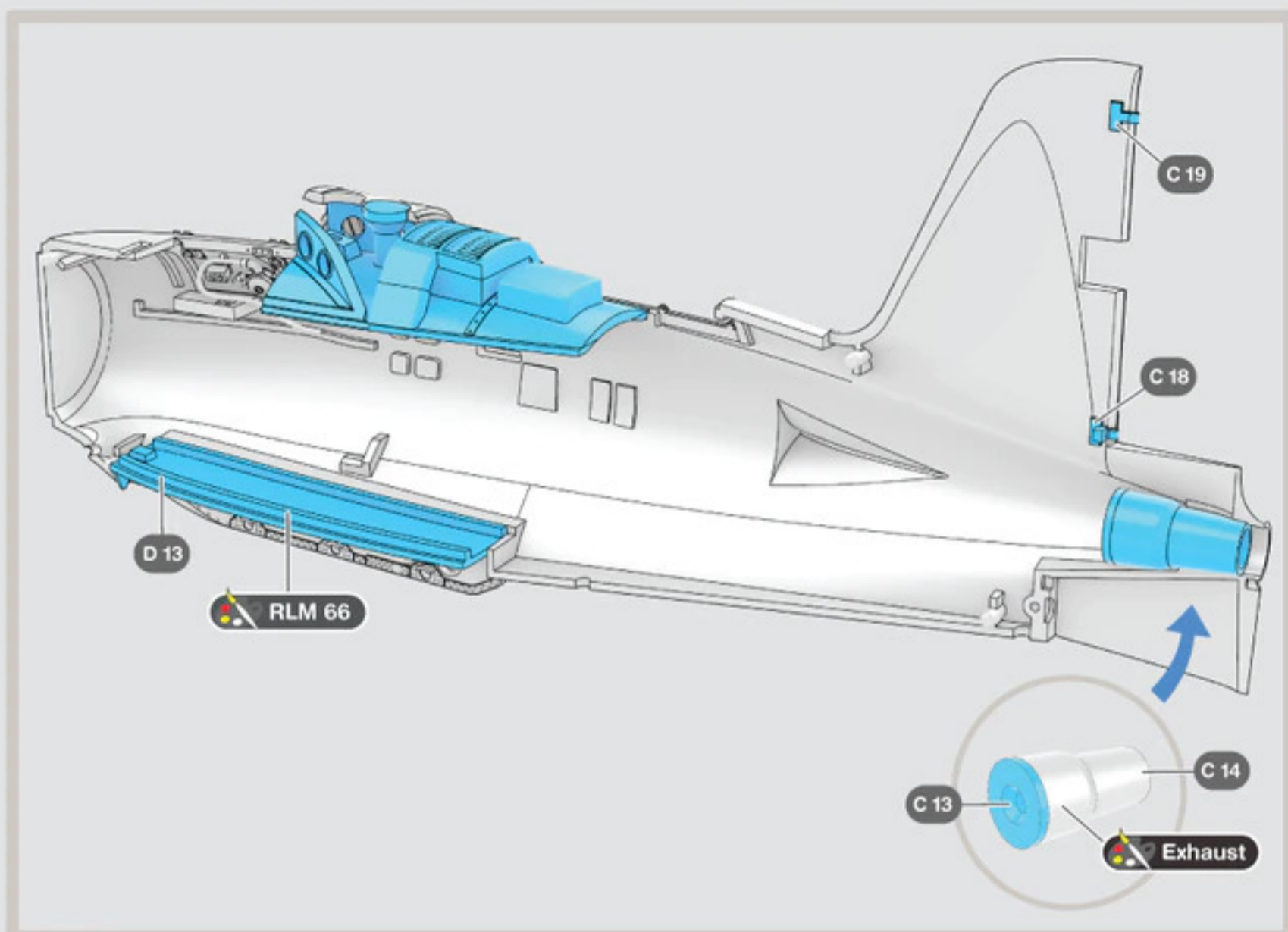
6 Ammo compartment assembly

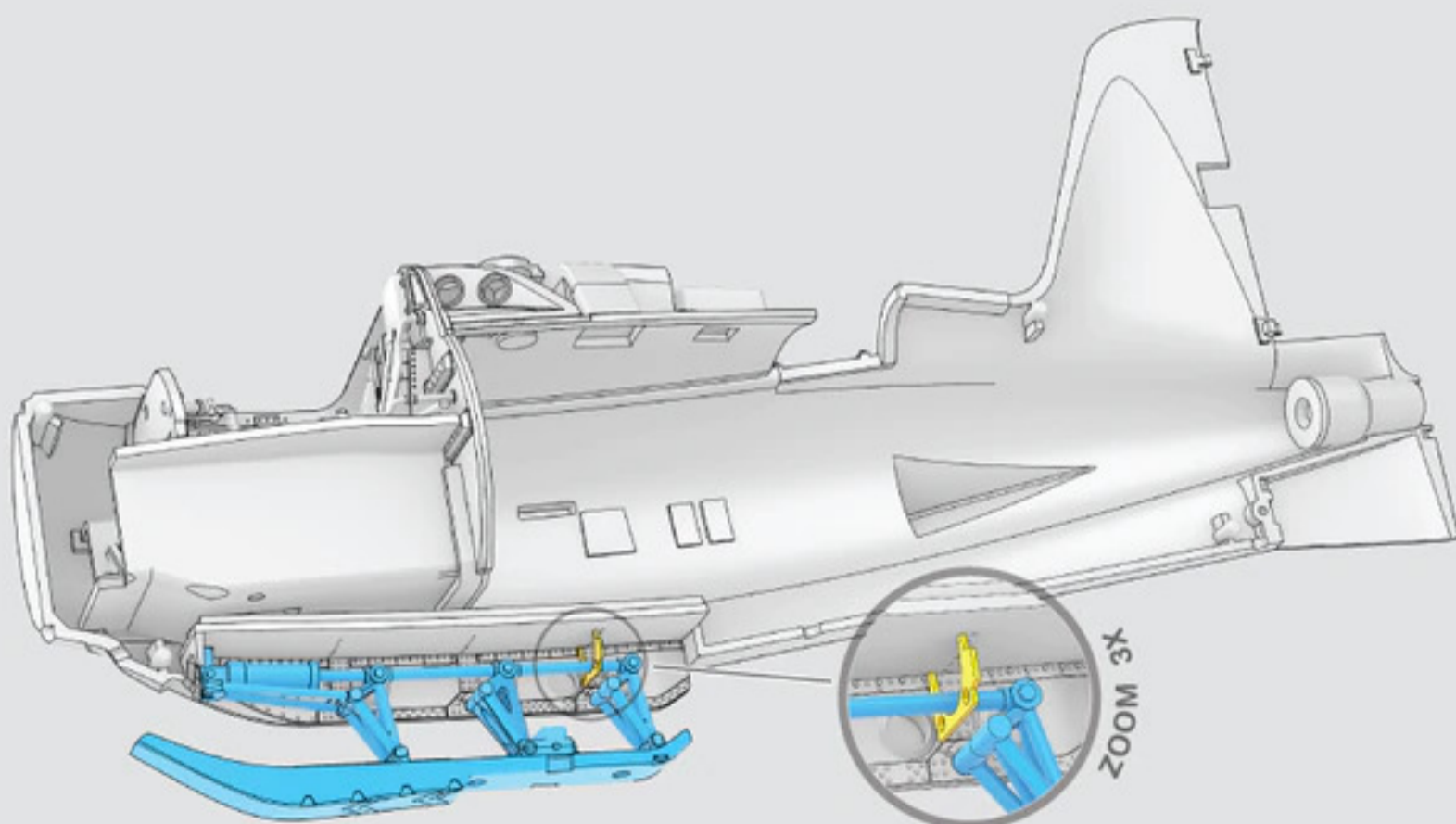
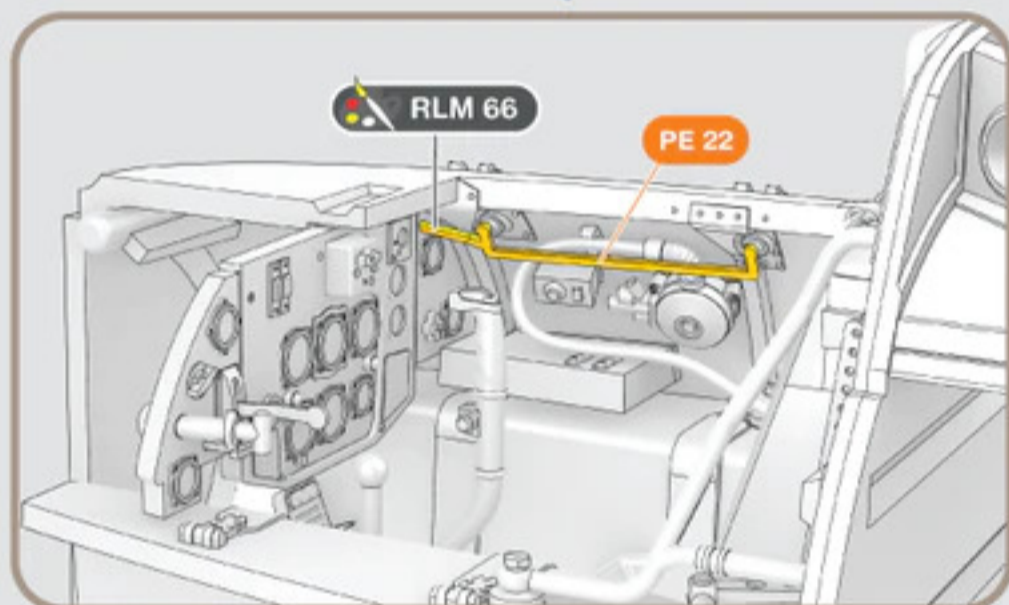
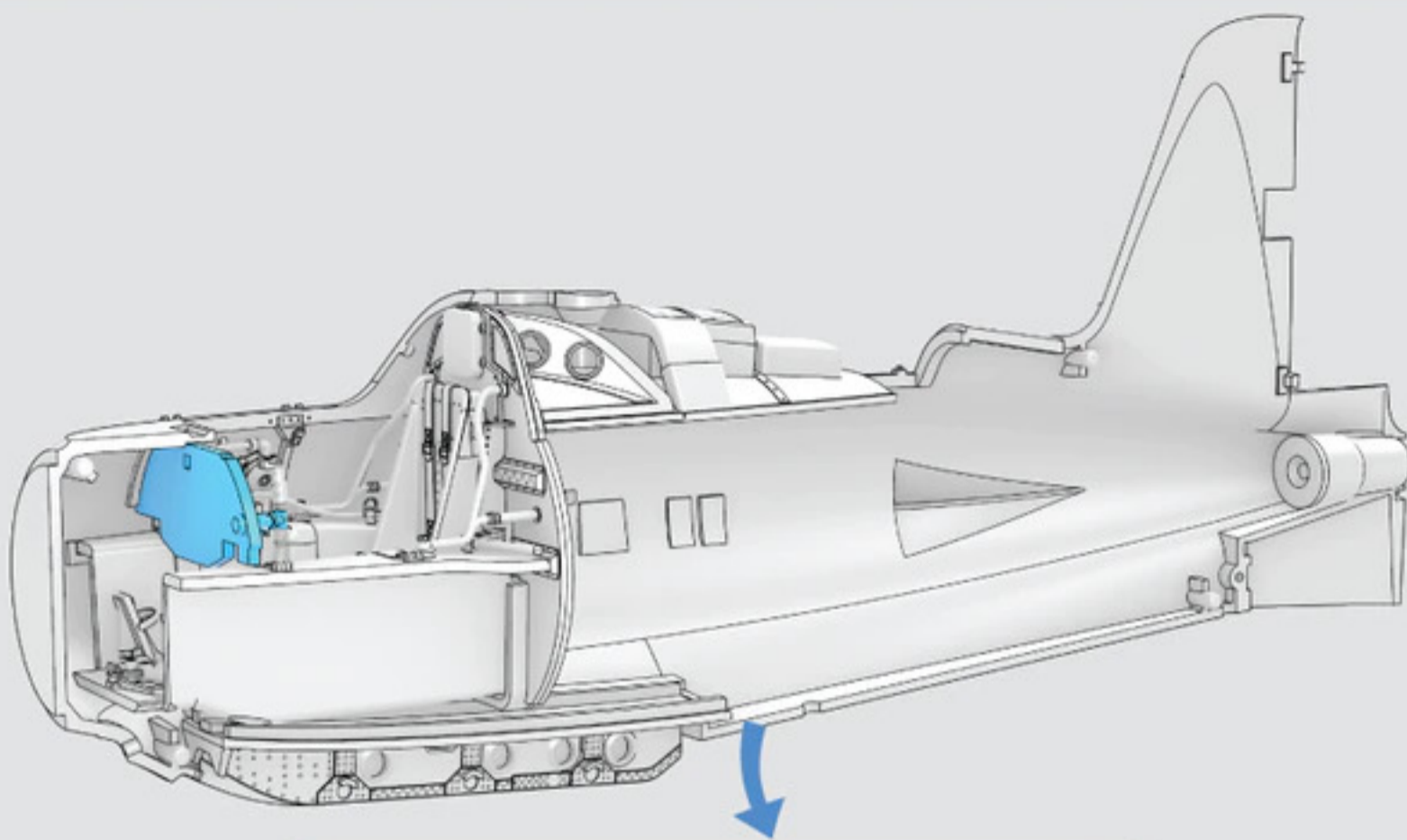


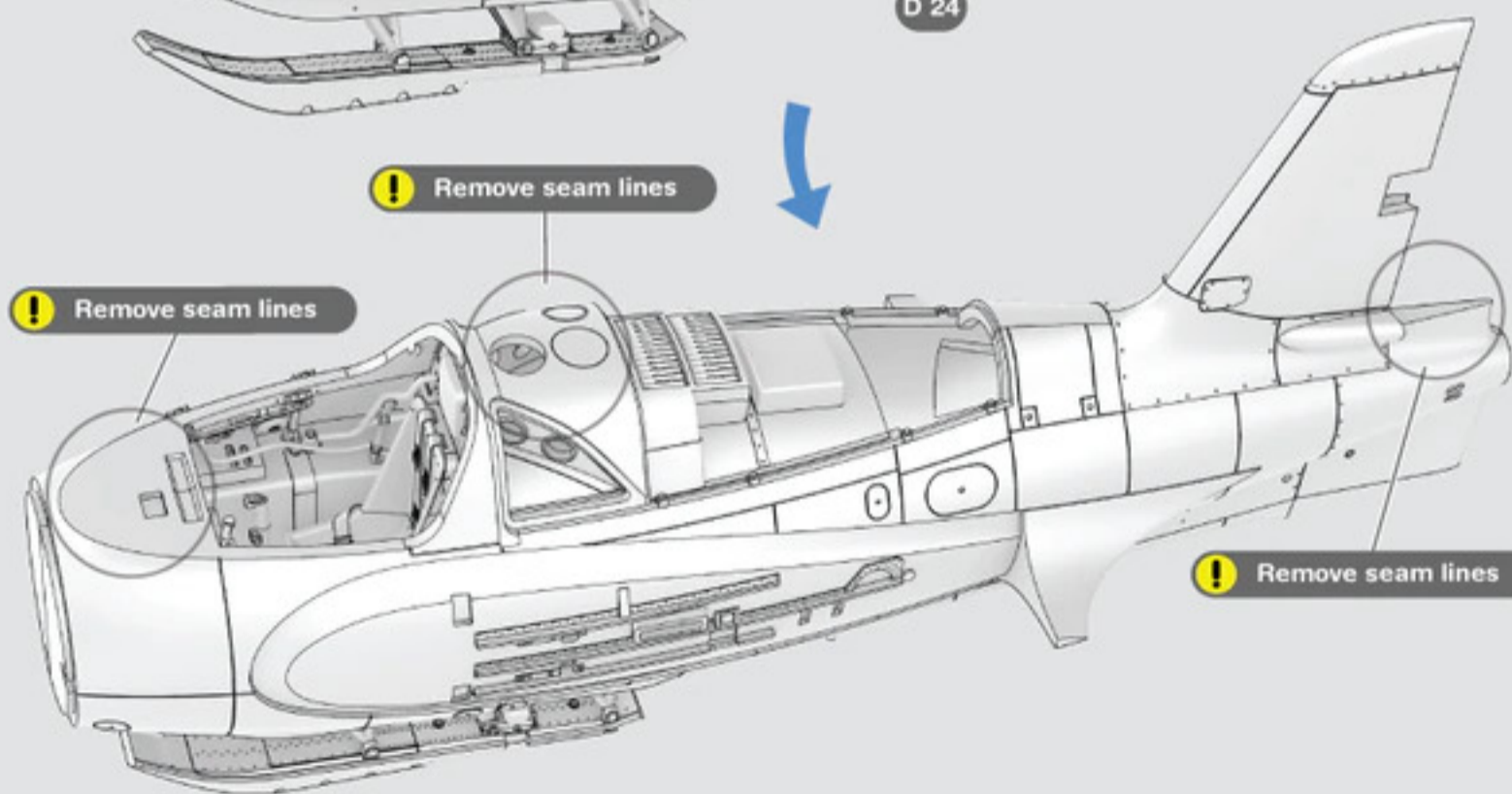
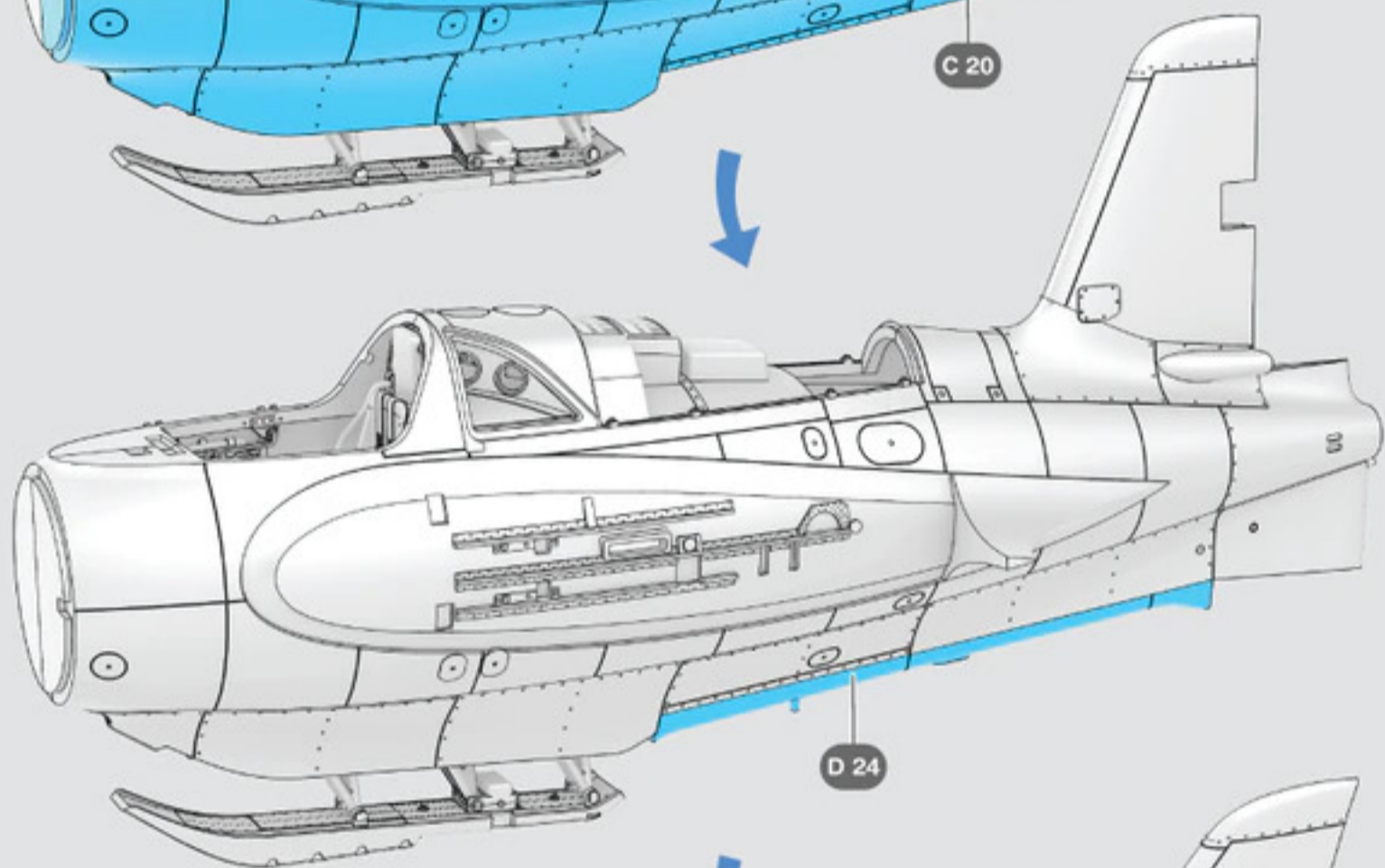
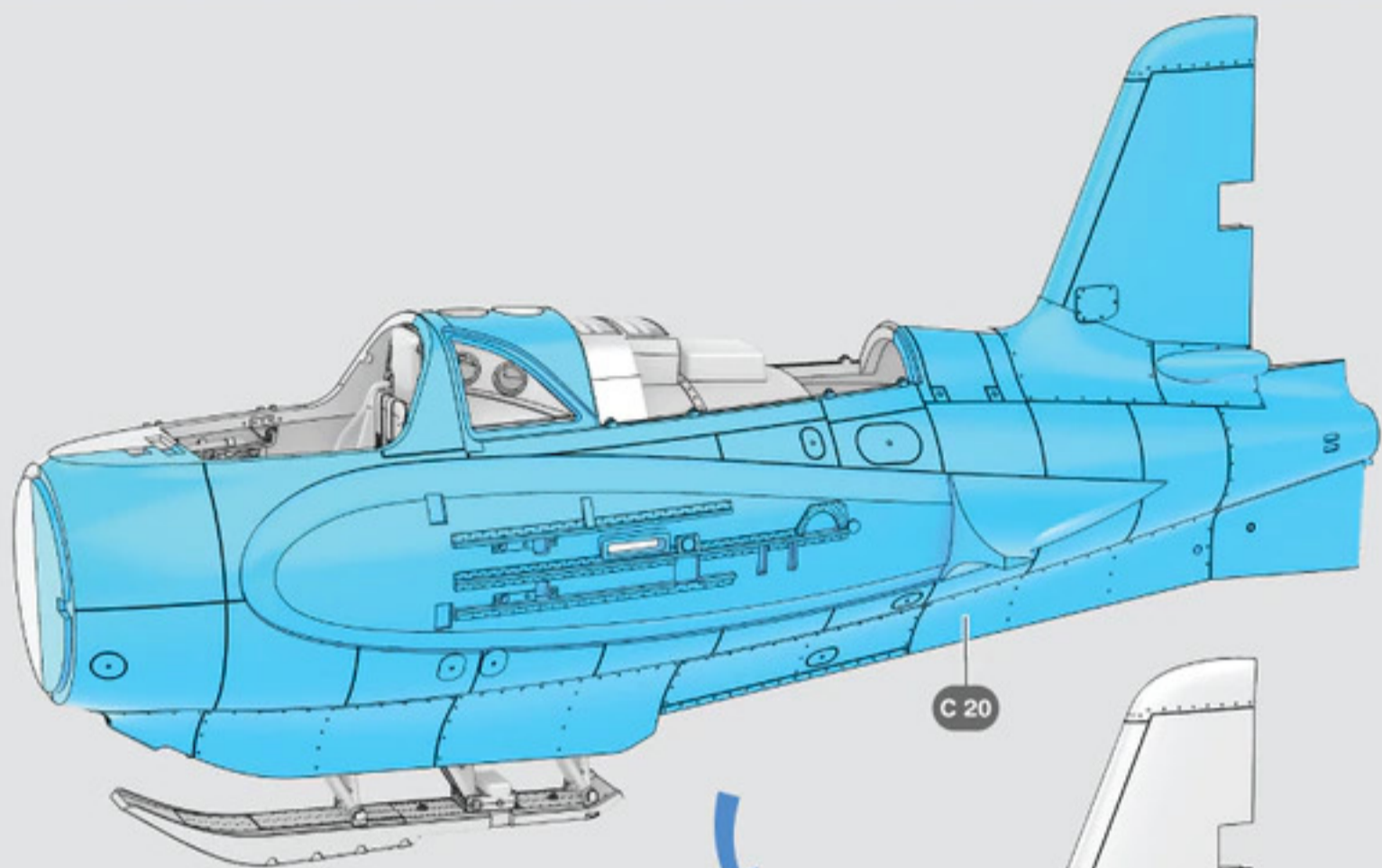
7 Landing skid assembly



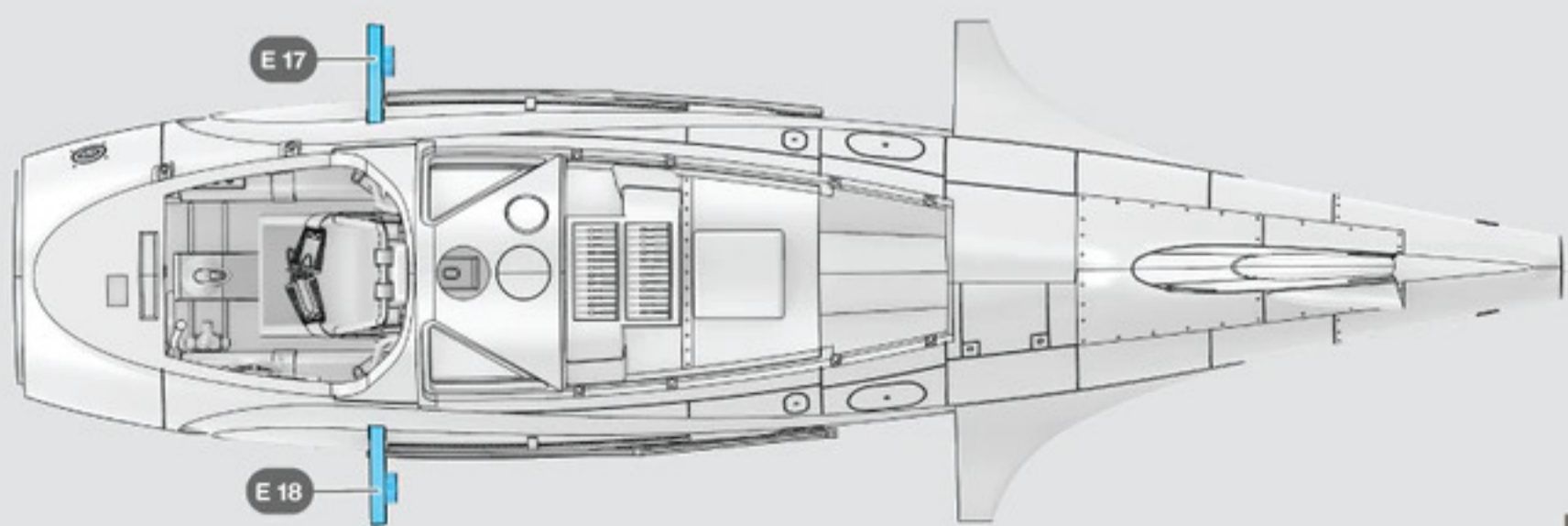
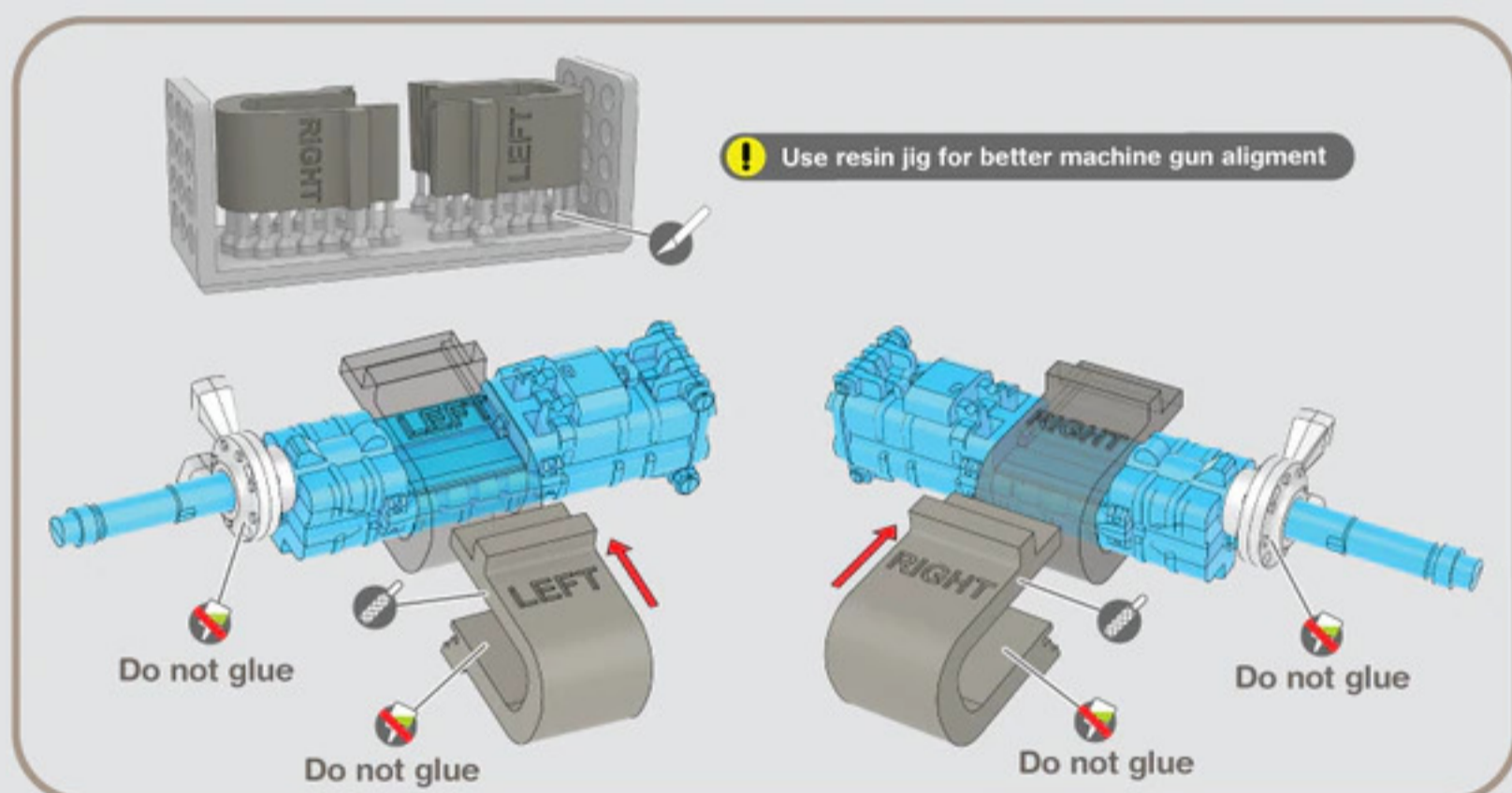
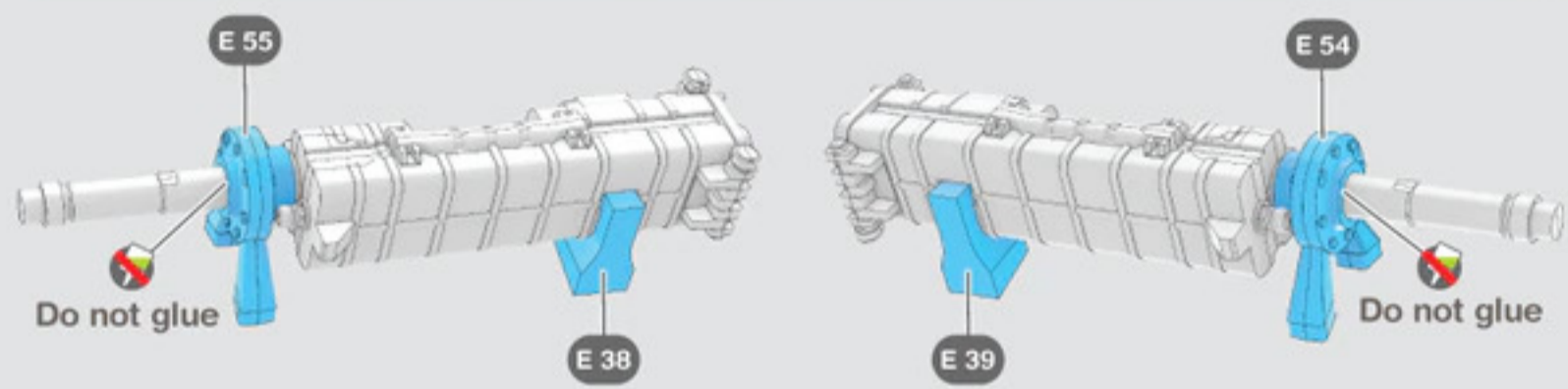
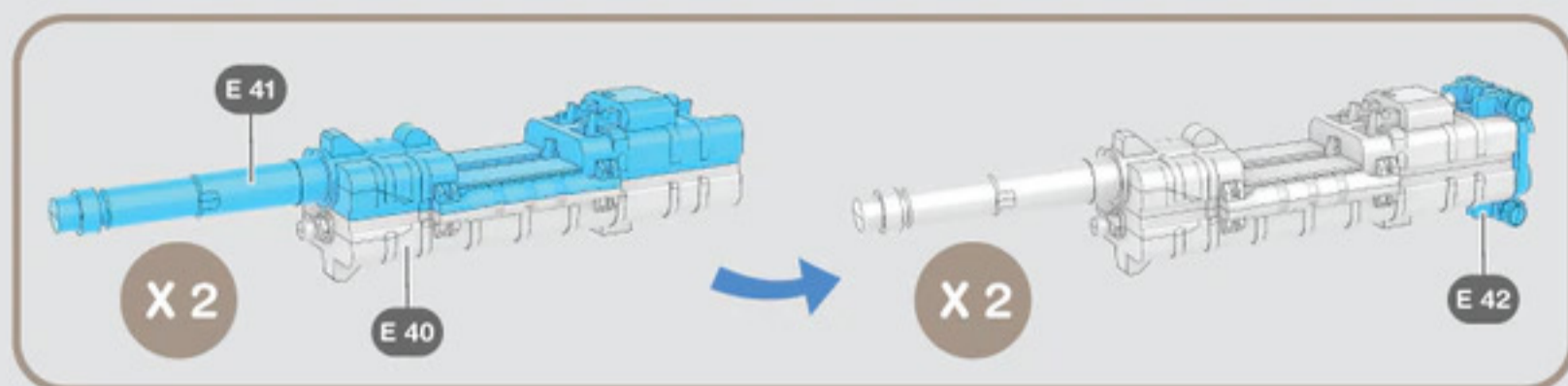
8 Fuselage halves assembly



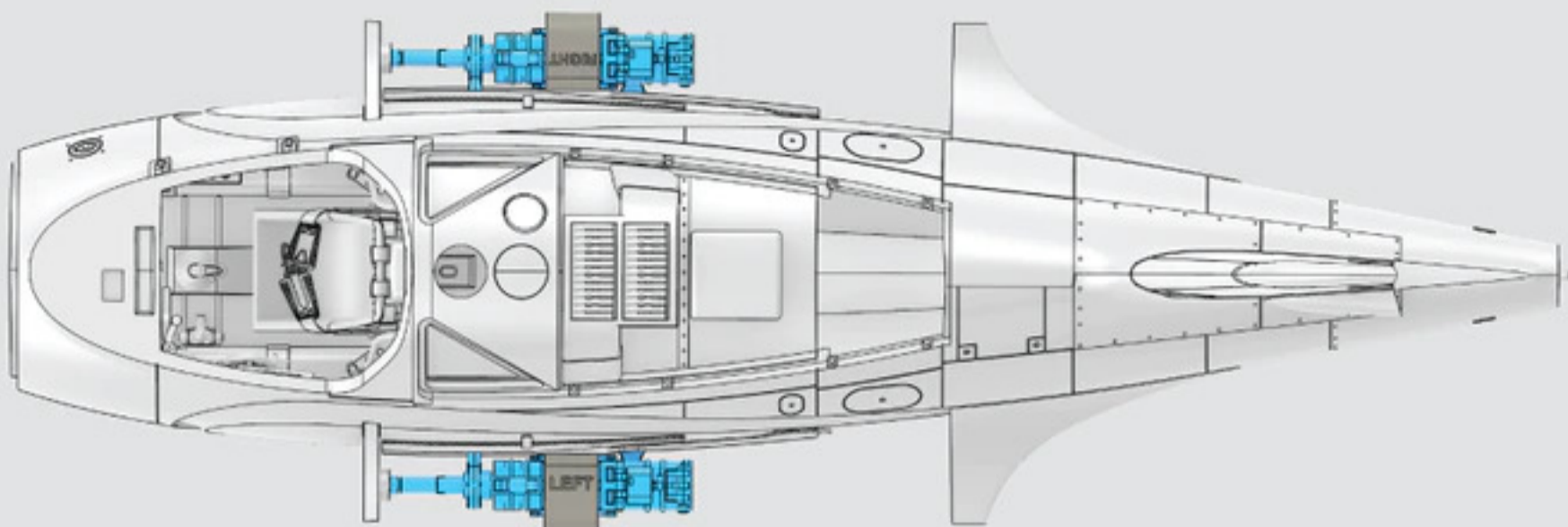




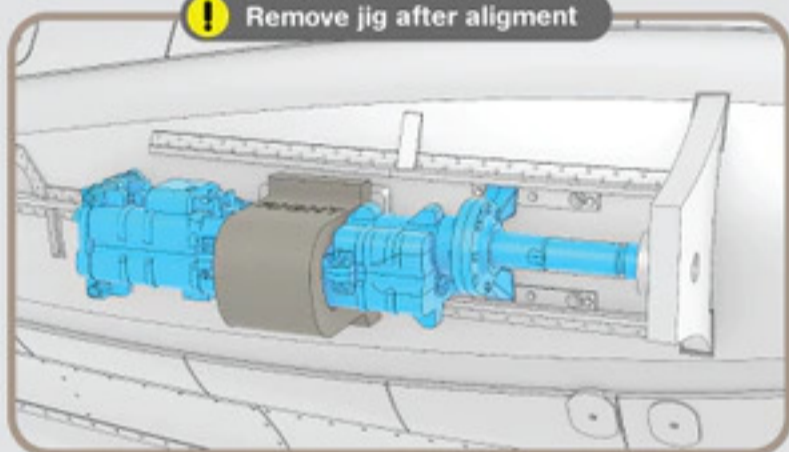
9 Machine guns assembly



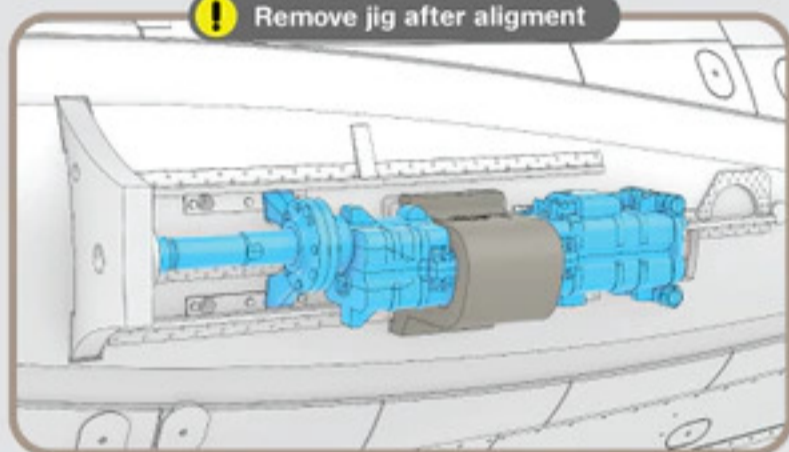
! Glue machine guns in place and align



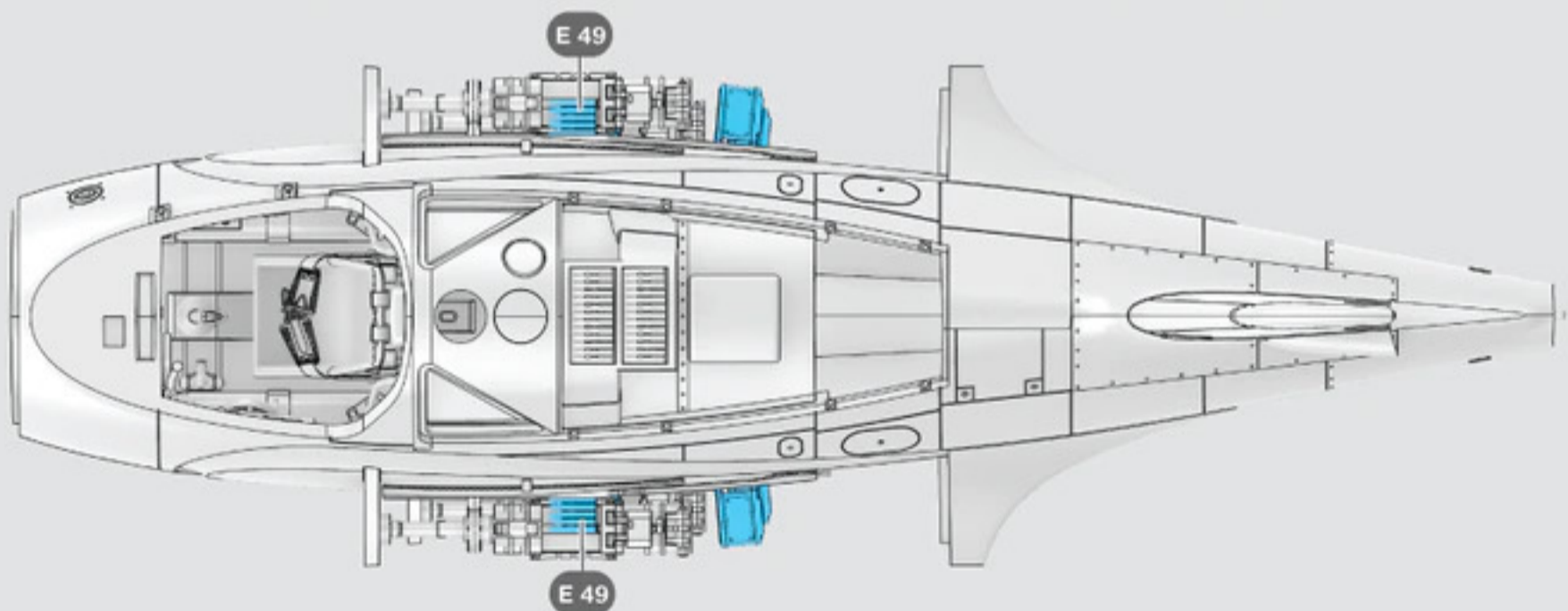
! Remove jig after alignment



! Remove jig after alignment

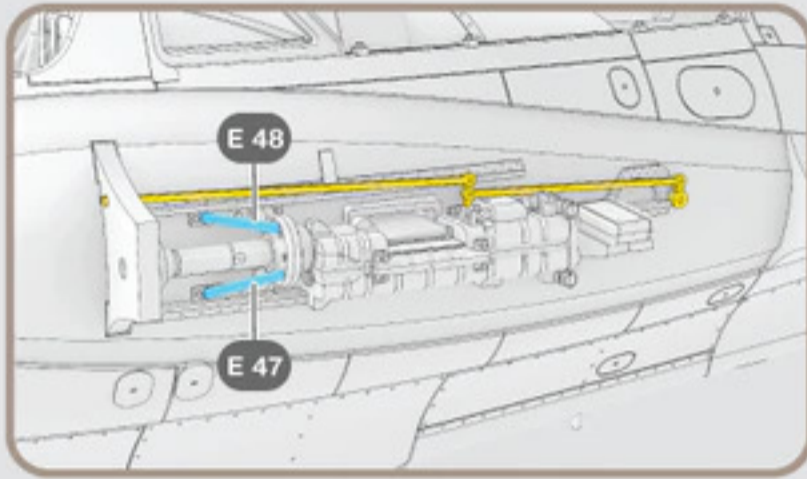
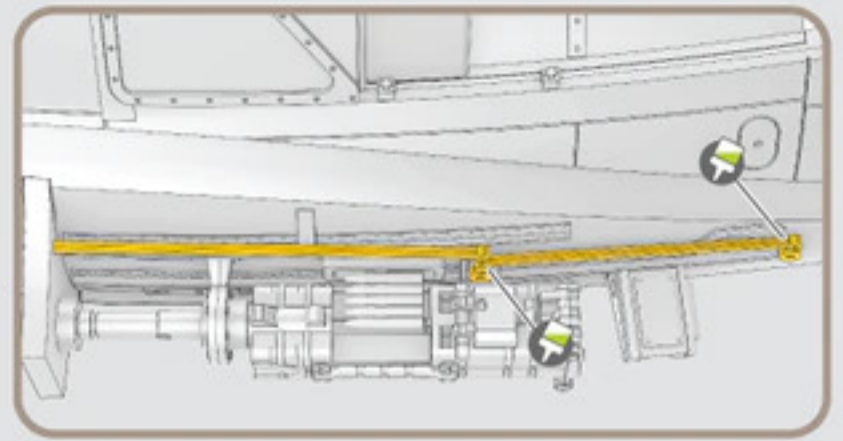
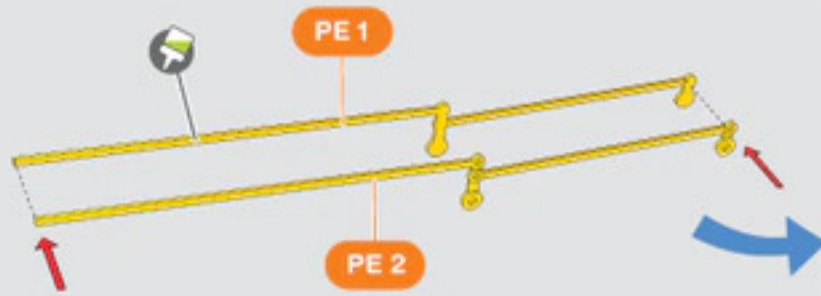


! Right fuselage side

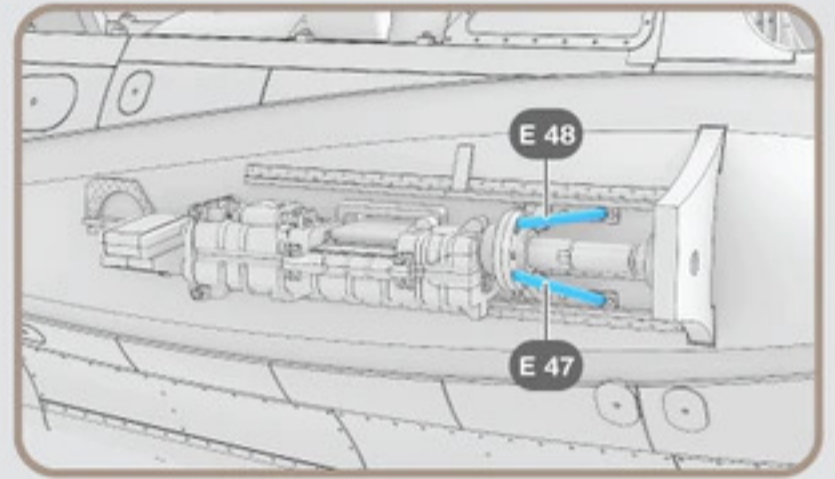


! Left fuselage side



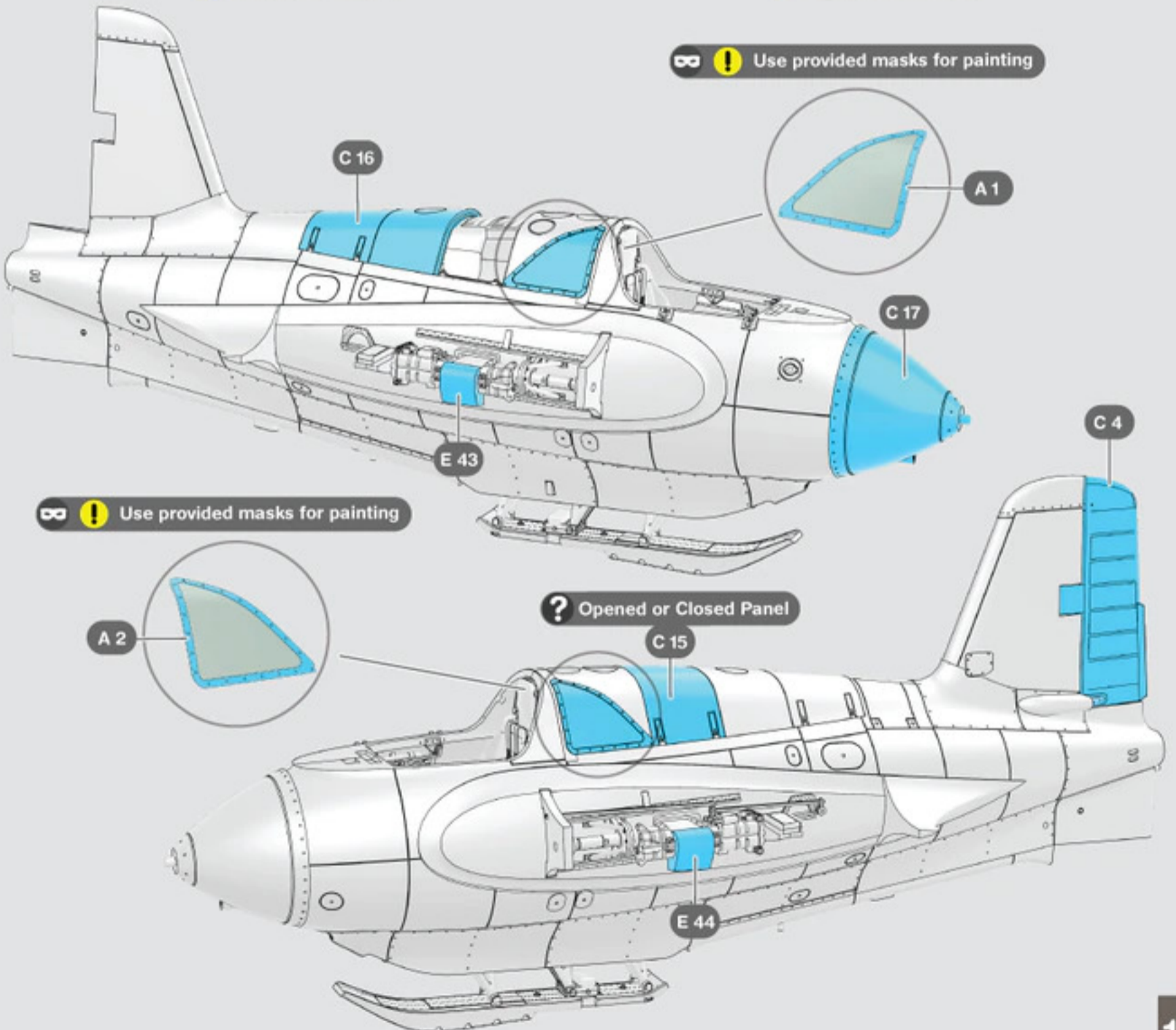


! Left fuselage side



! Right fuselage side

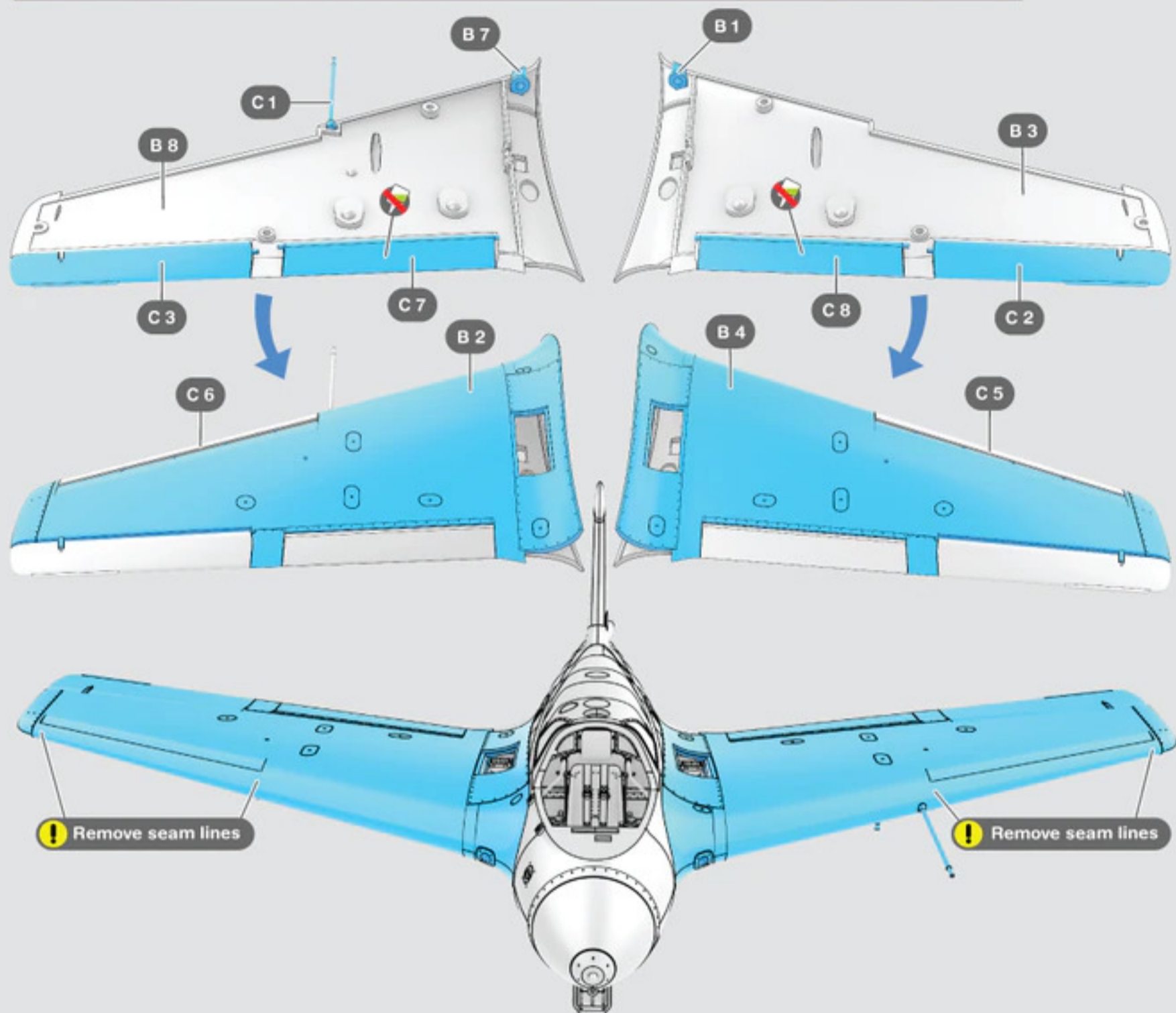
! Use provided masks for painting



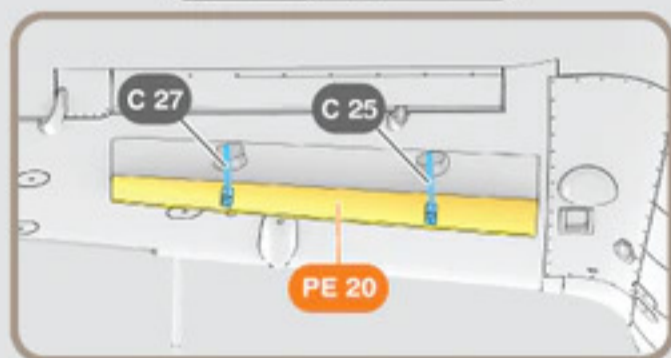
! Use provided masks for painting

? Opened or Closed Panel

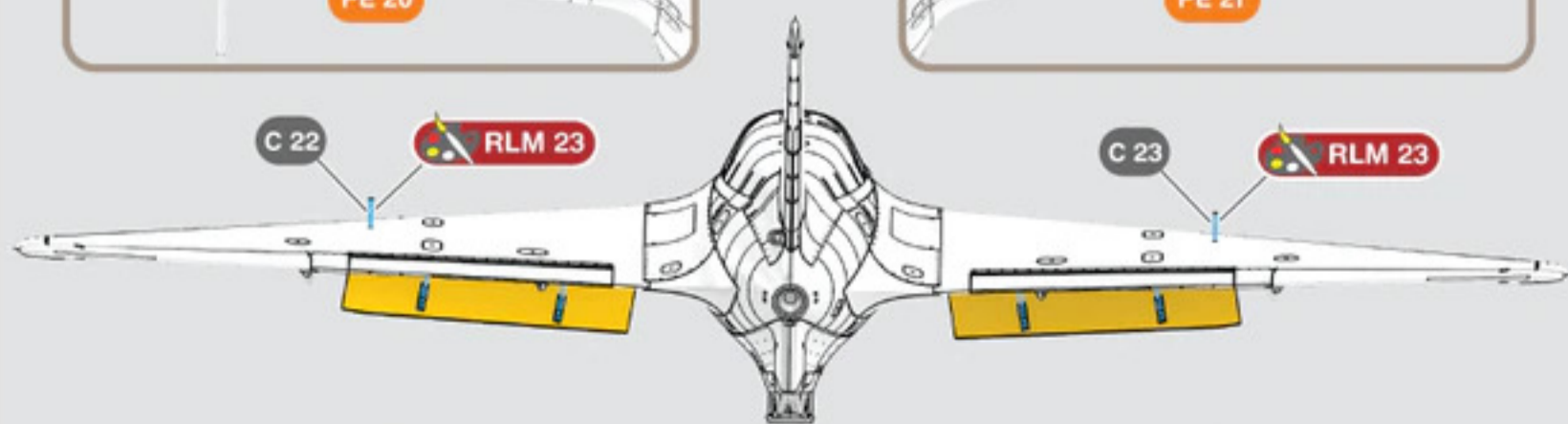
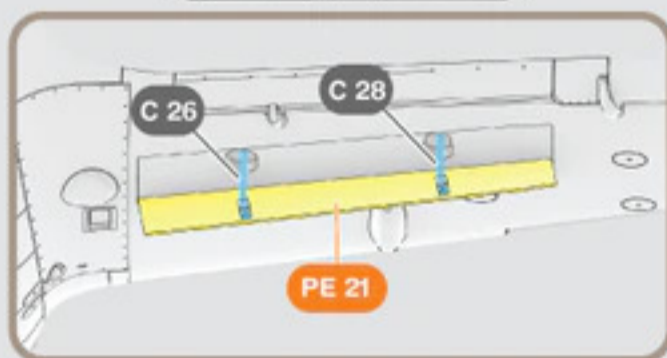
10 Wings assembly



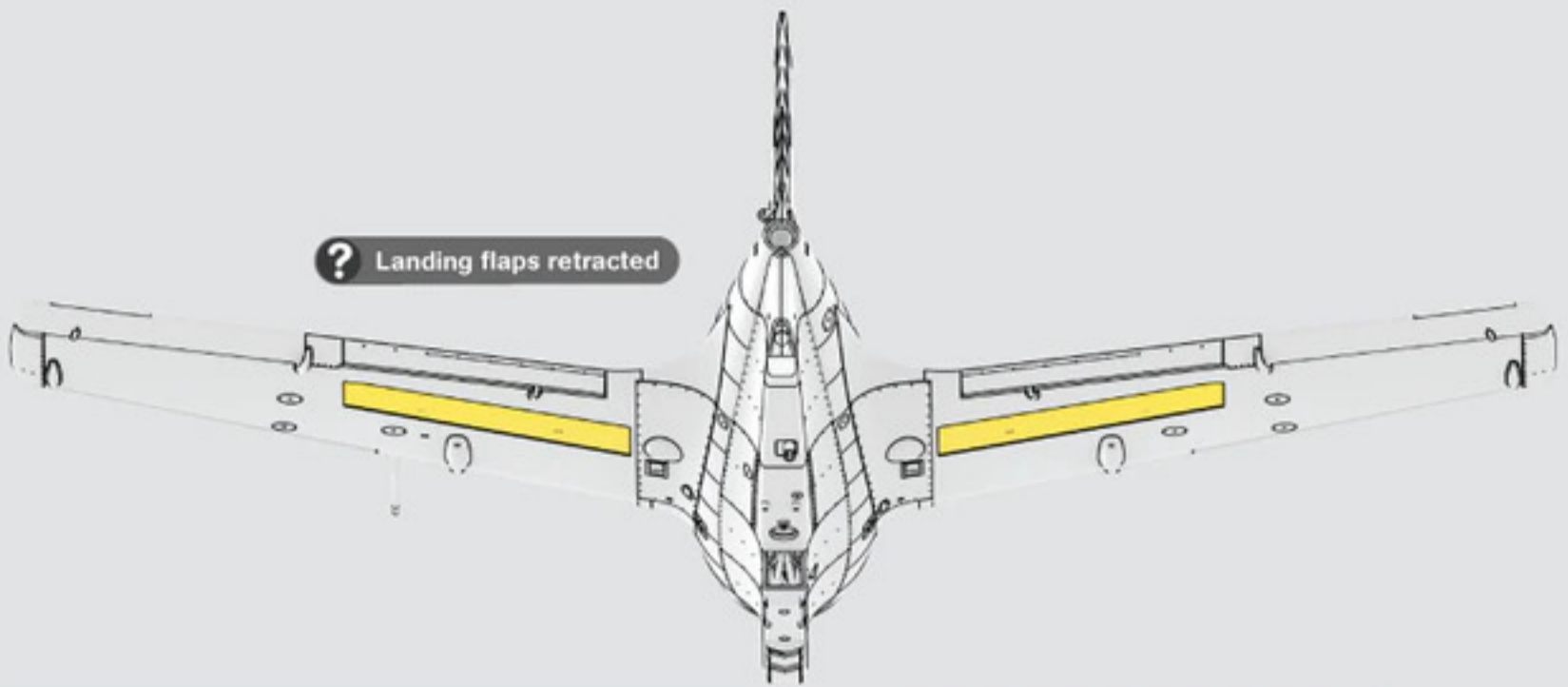
? Landing flap extended



? Landing flap extended

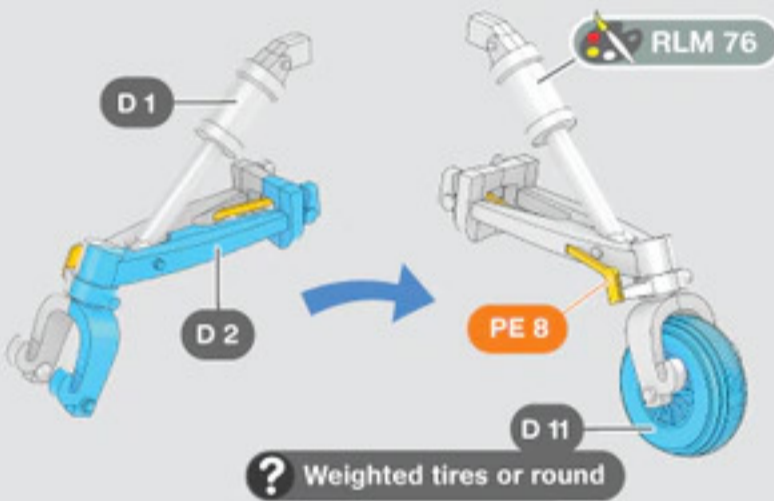


! Use C 22 & C 23 indicators when landing flaps are extended

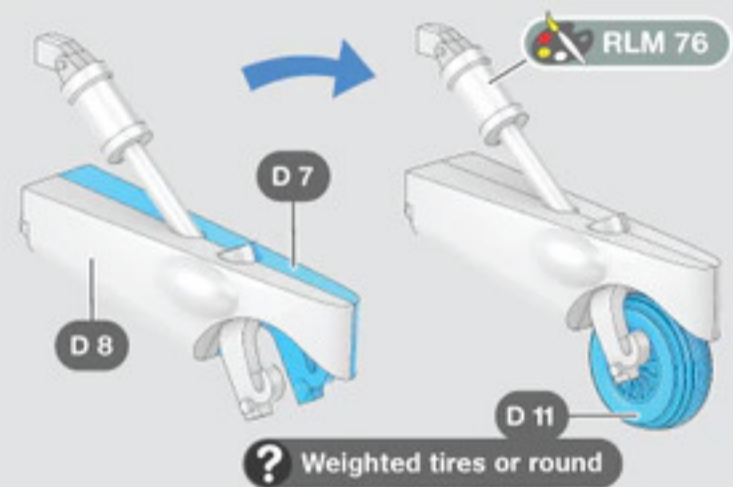


11 Tailwheel assembly

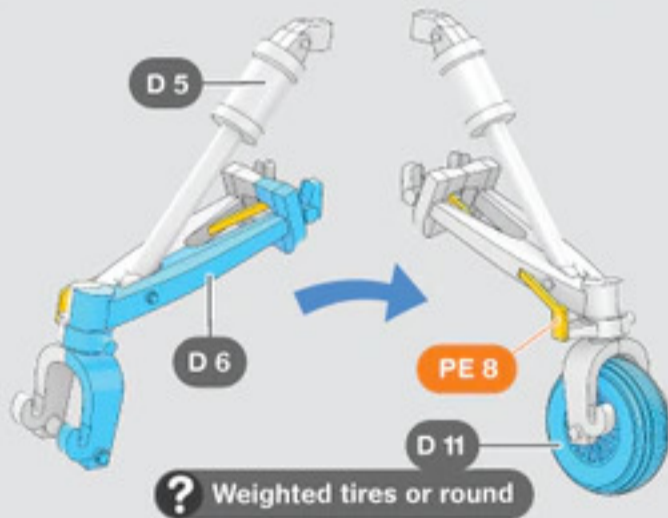
? Option 1 fairings removed ! Tailwheel retracted



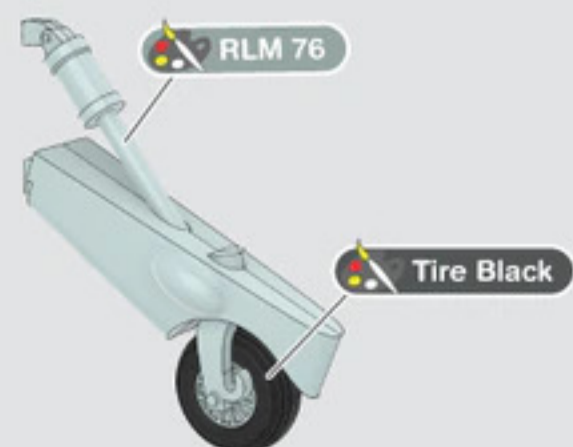
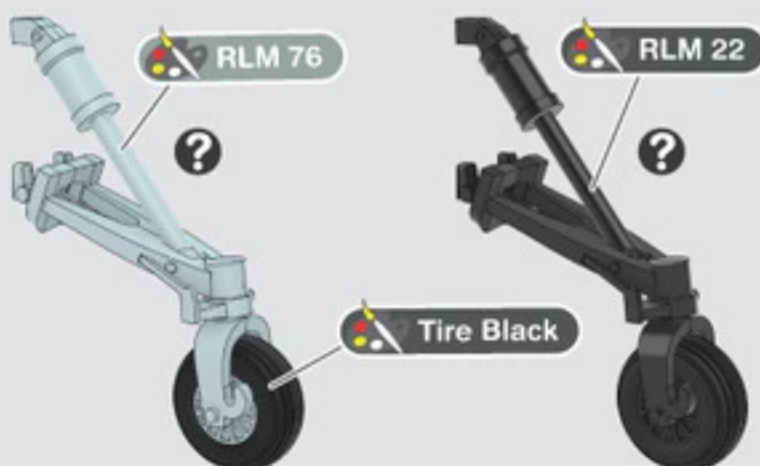
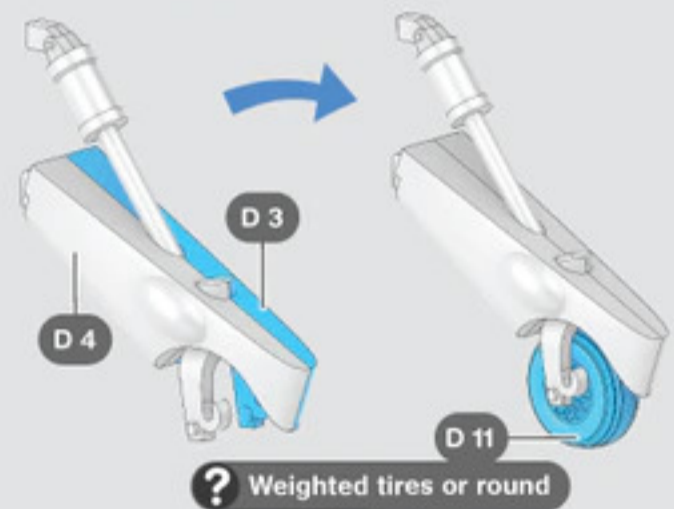
? Option 3 fairings retained ! Tailwheel retracted



? Option 2 fairings removed ! Tailwheel extended



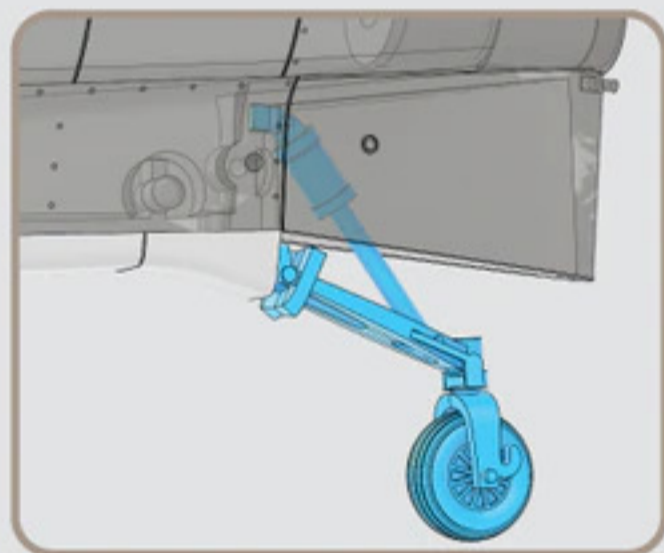
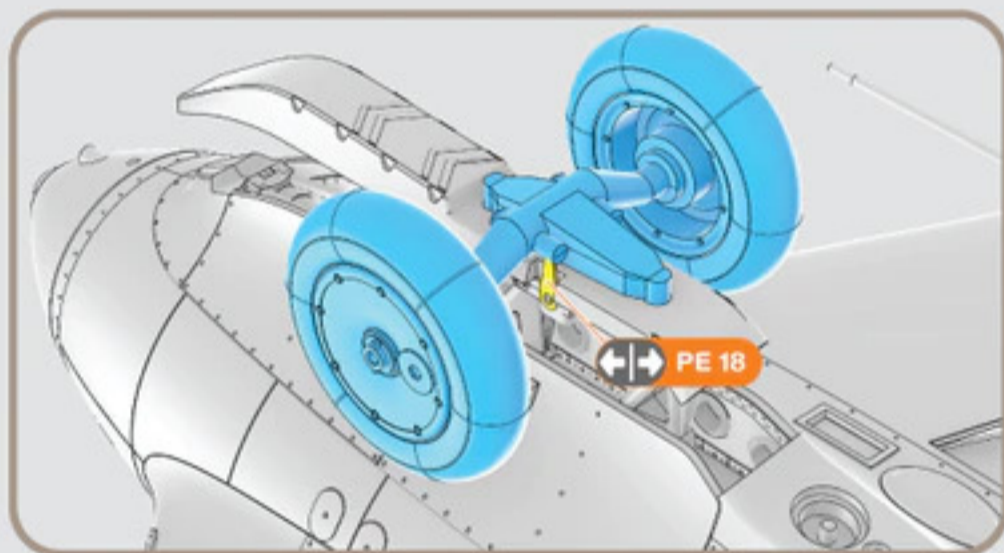
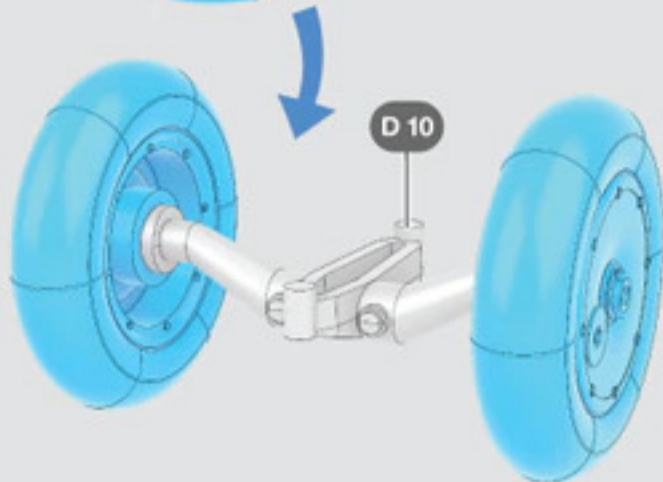
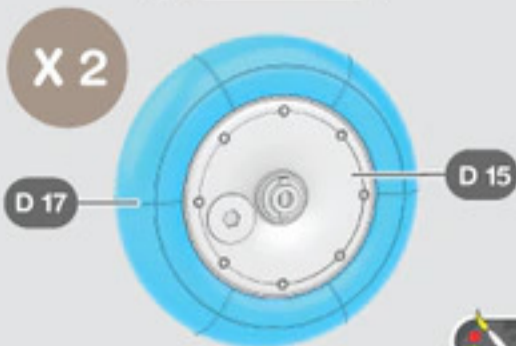
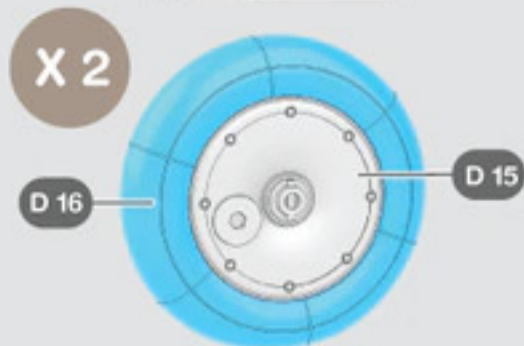
? Option 4 fairings retained ! Tailwheel extended



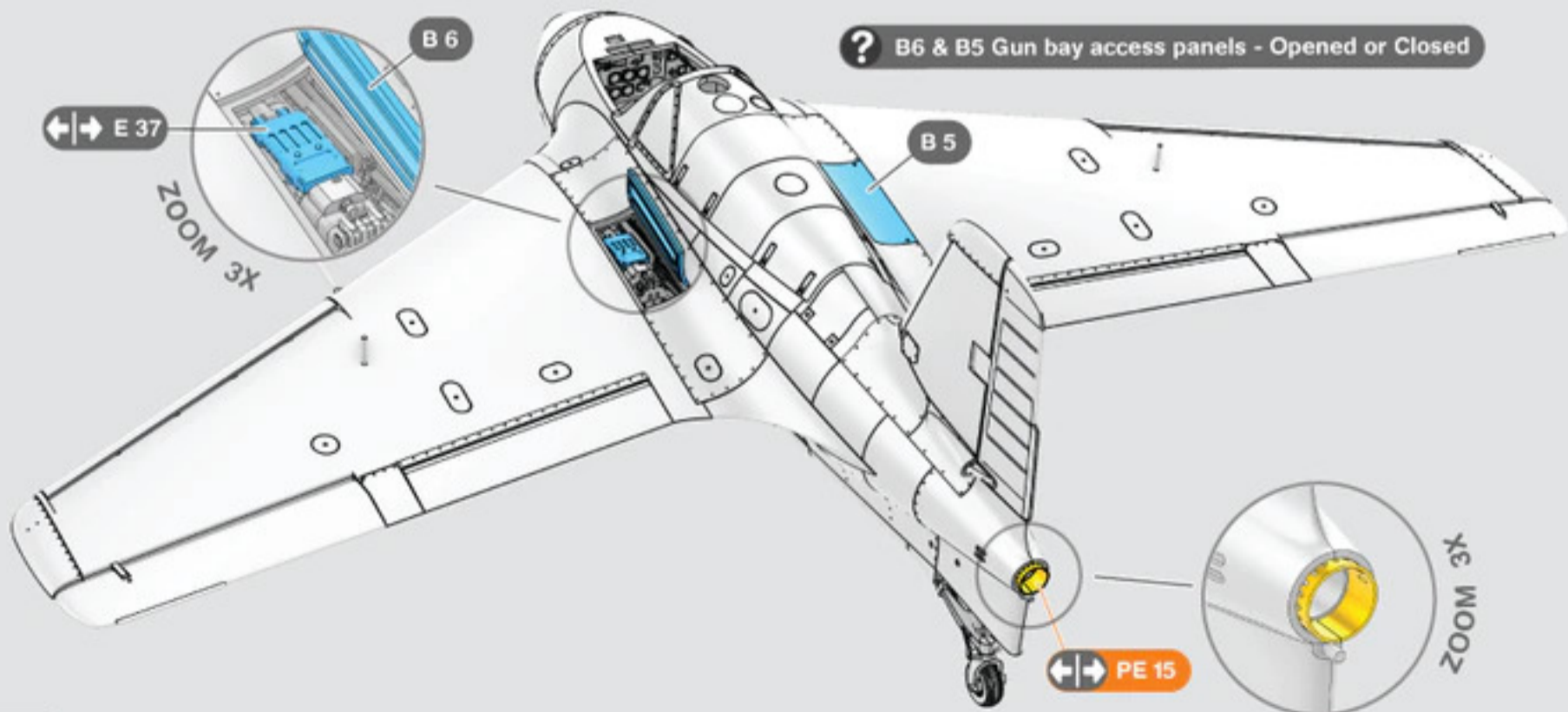
12 Main gear dolly assembly

? Weighted tires

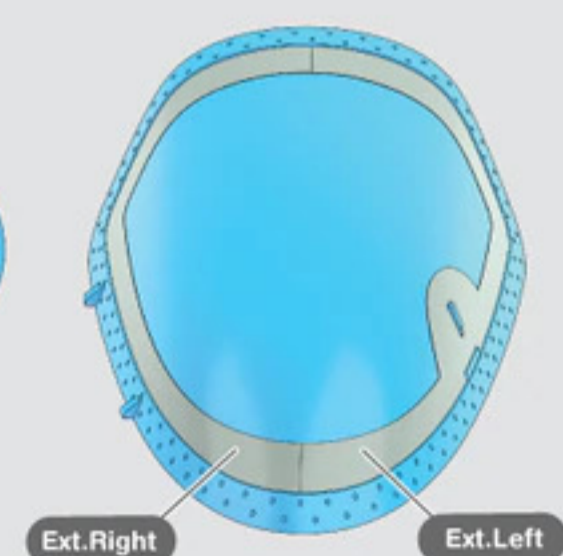
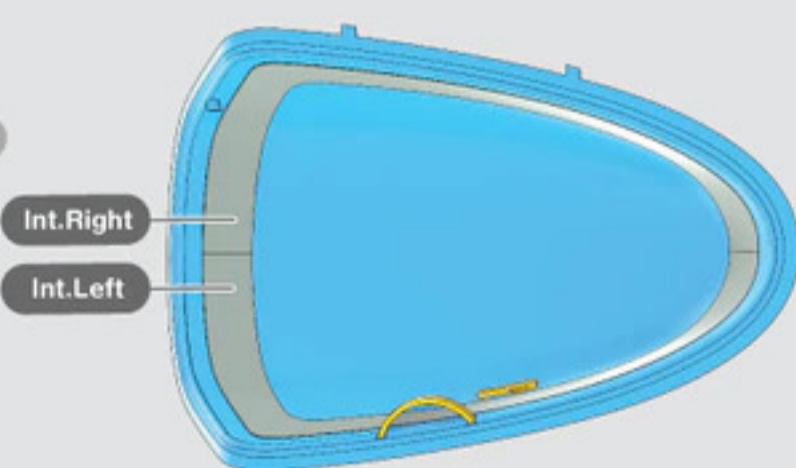
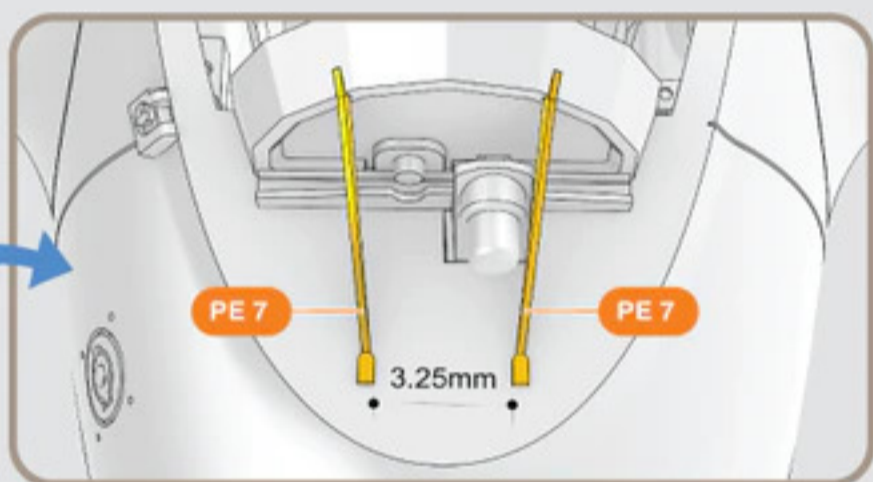
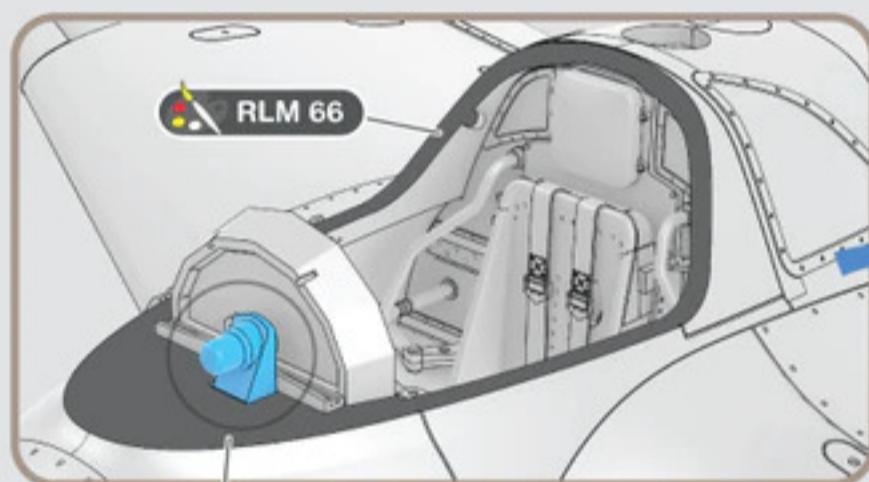
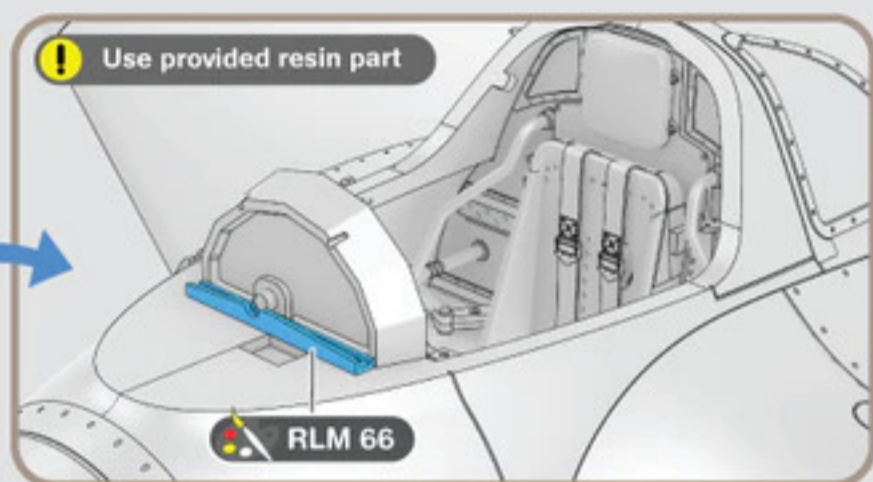
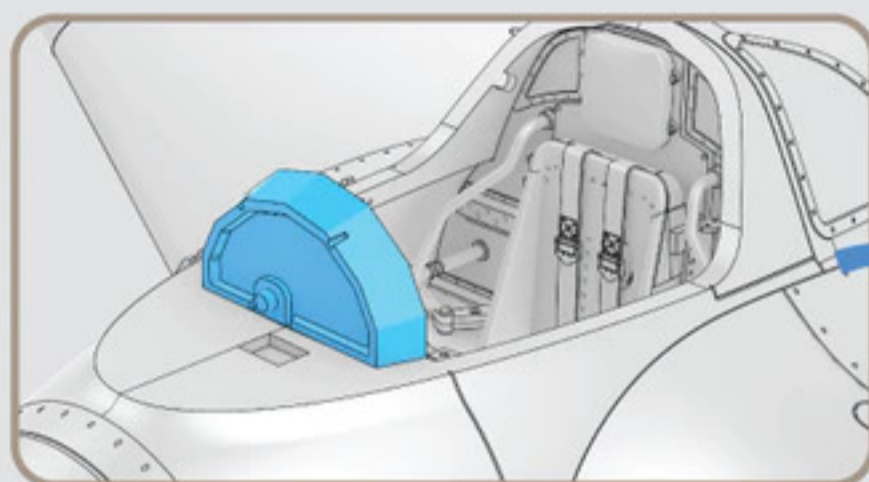
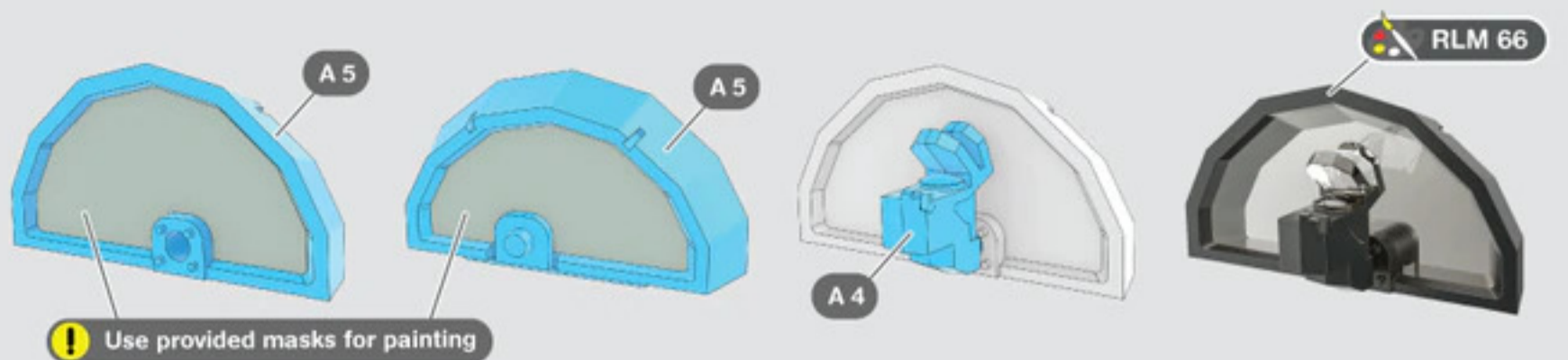
? Round tires



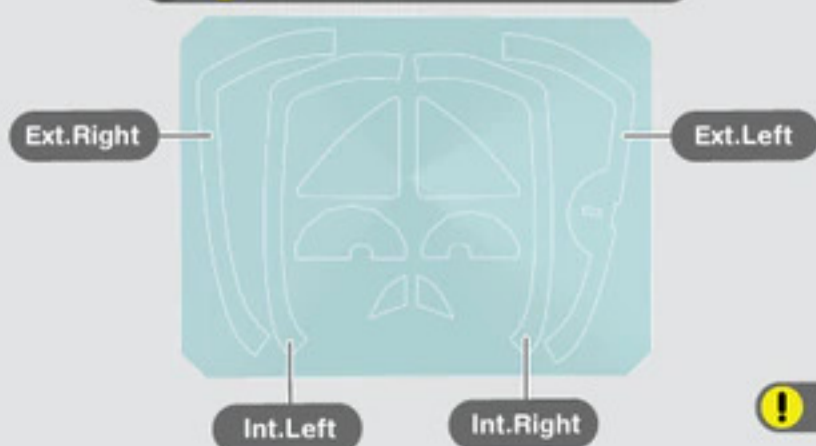
? B6 & B5 Gun bay access panels - Opened or Closed



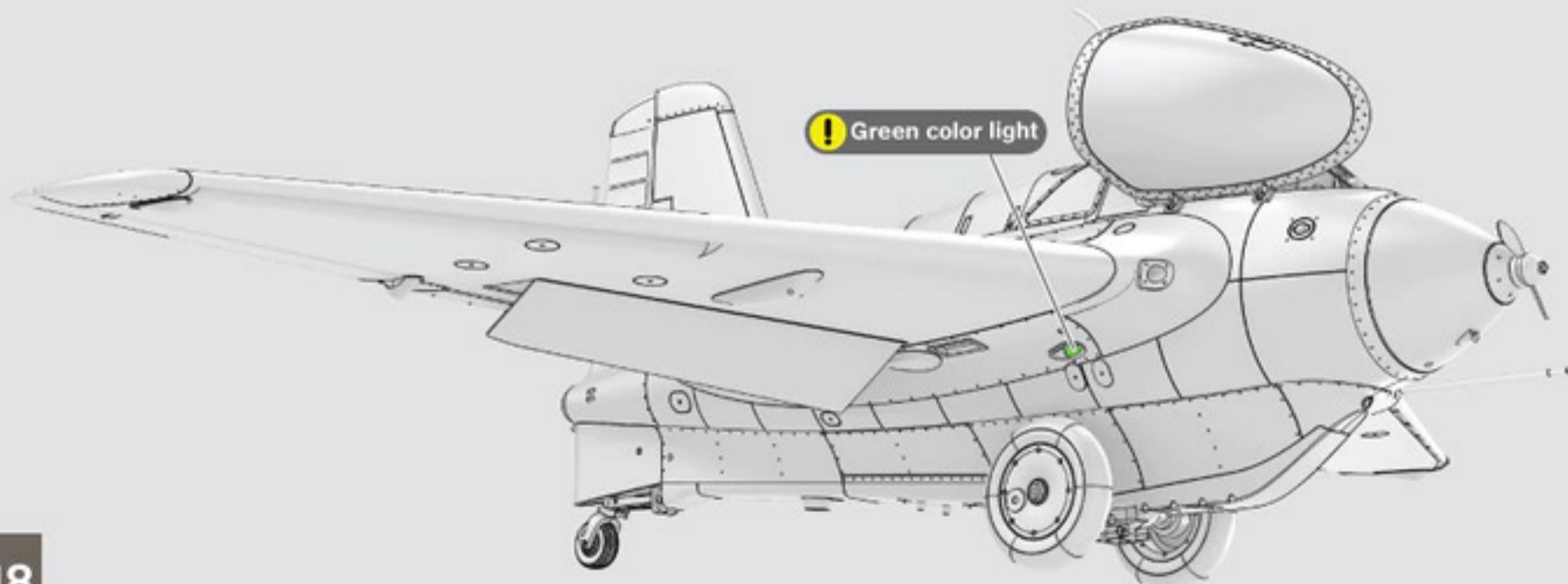
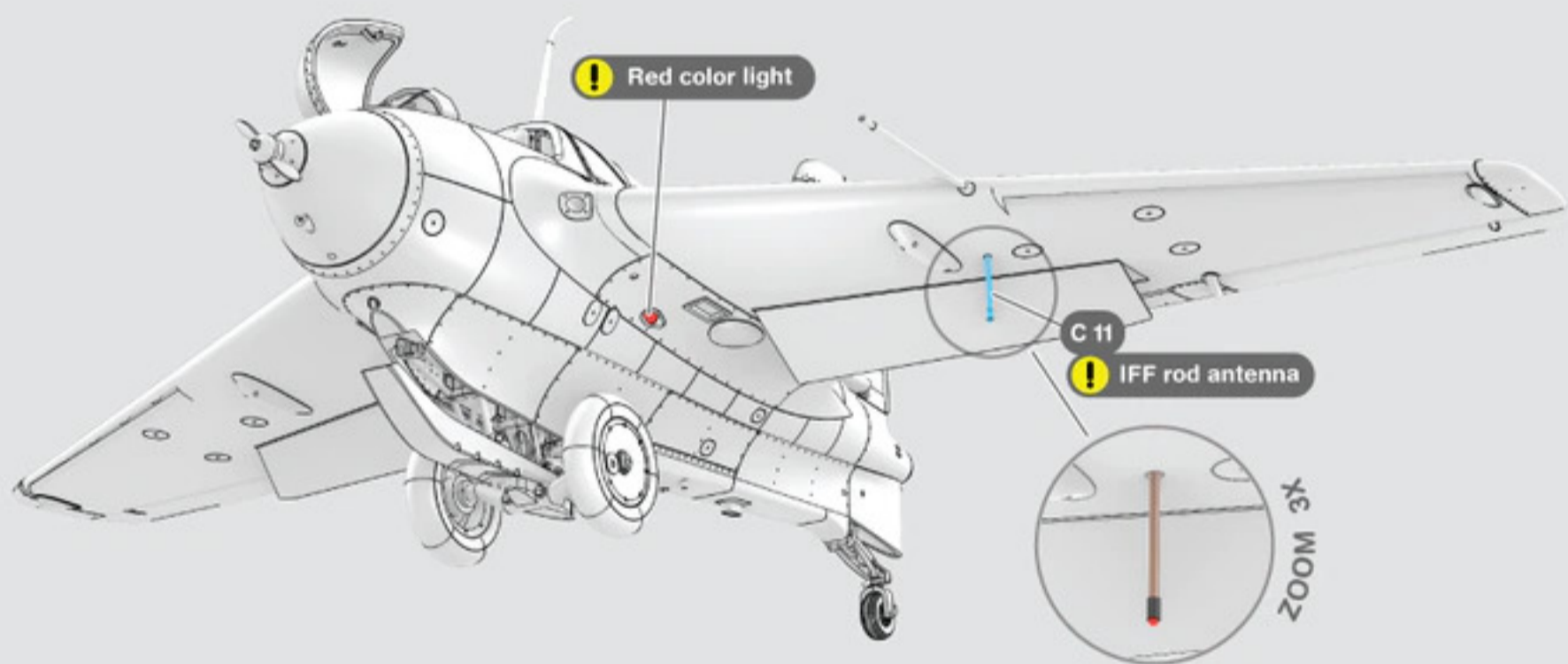
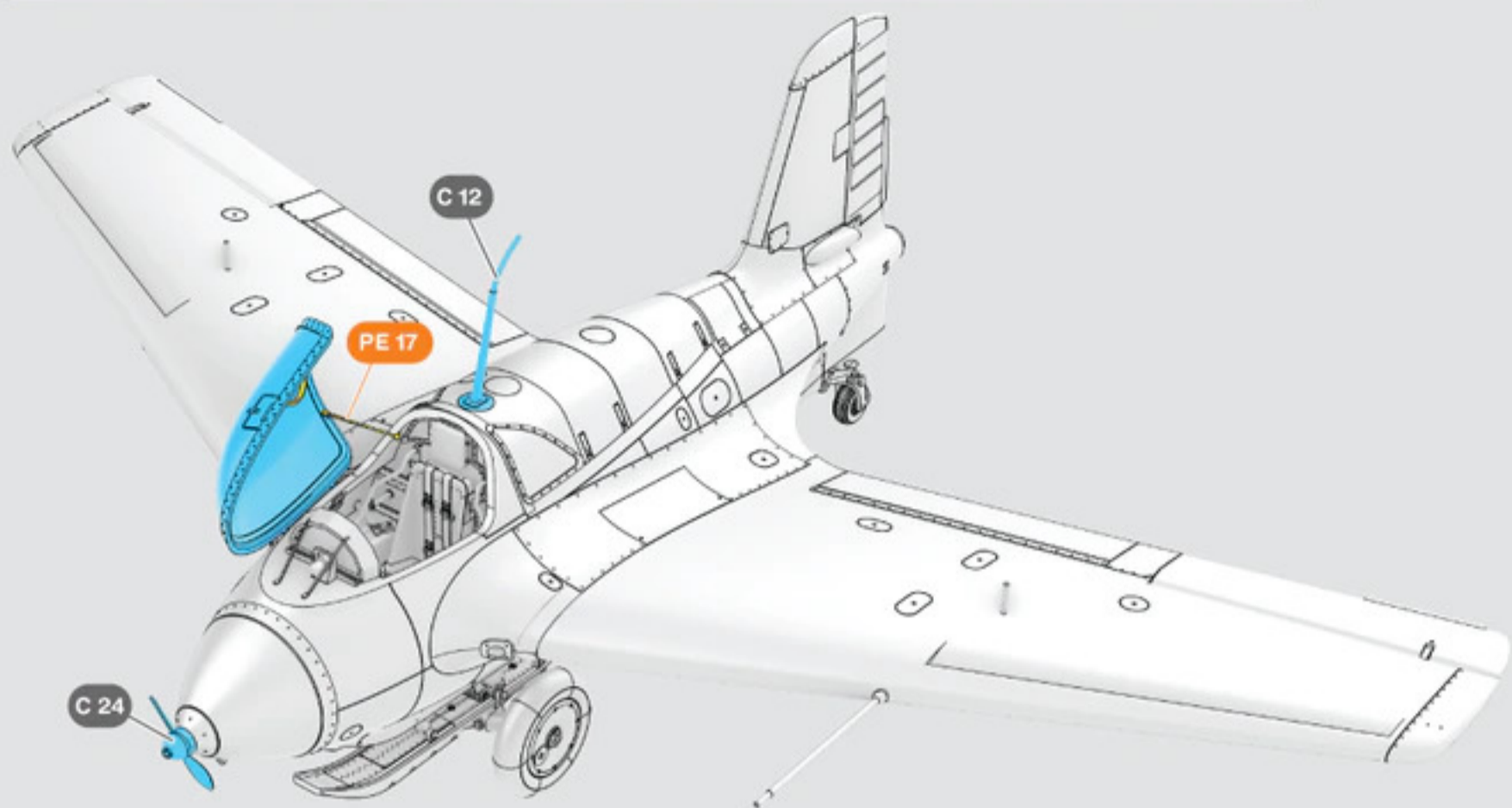
13 Cockpit canopy and armoured glass assembly



! Use provided masks for painting



14 Canopy, propeller and antenna assembly



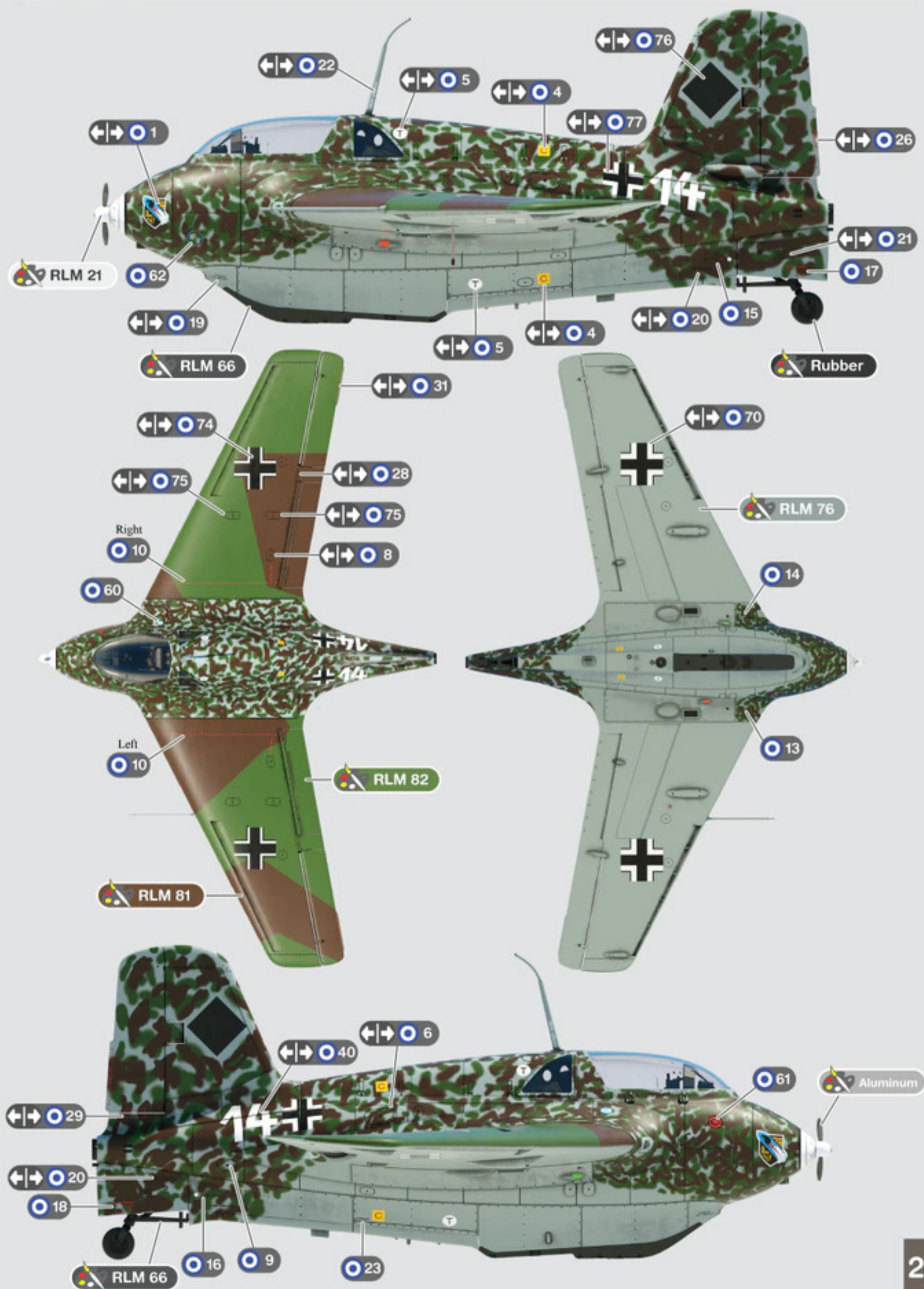
Painting instructions scheme 1 - W/Nr:191916 JG 400, Brandis, April 1945



Painting instructions scheme 2 - W/Nr:191659 JG 400, 1945



Painting instructions scheme 3 - White 14, JG 400, Brandis, February 1945



Painting instructions scheme 4 - W/Nr:191477, EJG 2, Spring 1945



Painting instructions scheme 5 - W/Nr:310061, Air Ministry 203



Painting instructions scheme 6 - VF 241, Captured UK post war

