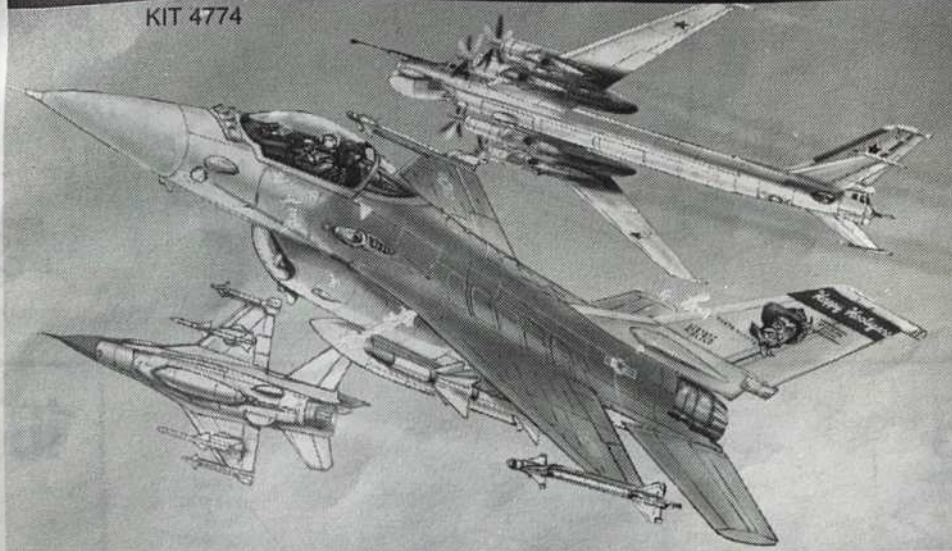


Revell

F-16C-ADF Fighting Falcon

1/48 SCALE 1/48 ESCHELLE ESCALA 1/48

KIT 4774



READ THIS BEFORE YOU BEGIN

- Study the assembly drawings.
- Each plastic part is identified by a number.
- Check the fit of each piece before cementing into place.
- Do not use too much cement to join parts.
- Use only cement for polystyrene plastic.
- Model may be painted to match photos on box.
- Scrape paint from areas to be cemented.
- For better paint and decal adhesion, wash the plastic parts in a mild detergent solution.

LEA ESTO ANTES DE EMPEZAR

- Estudie los dibujos de ensamblaje.
- Cada pieza de plástico se identifica por un número.
- Verifique que cada pieza encaje bien antes de pegar en posición.
- No use demasiado pegamento para unir las piezas.
- Use únicamente pegamento para plástico de poliestireno.
- El Modelo puede pintarse de acuerdo con las fotografías de la caja.
- Permita que se seque la pintura completamente antes de montar las piezas.

- Raspe la pintura de las superficies que serán pegadas.
- Para una mejor fijación la pintura y de las calcomanías, lávese las piezas plásticas en una solución de detergente suave. Enjuáguese y dejense secar al aire.

LISEZ CE QUI SUIT AVANT DE COMMENCER LE MONTAGE

- Etudier les schémas d'assemblage.
- Chaque pièce plastique porte un numéro d'identification.
- Contrôler que chaque pièce soit bien conforme avant de la coller à sa place.
- N'utilisez pas trop de colle pour réunir les pièces.
- Utilisez uniquement une colle spéciale pour polystyrene.
- Le modèle peut être conformement aux photos sur la boîte.
- Laissez sécher la peinture complètement, avant de manipuler les pièces.
- Grattez la peinture sur les surfaces devant être collées. Pour assurer la meilleure adhésion possible de la peinture et des calcomanies, laver les pièces de plastique avec une légère solution savonneuse. Rincer et laisser sécher à l'air.



DECAL (DIP IN WATER)
DECALOMANIE (À PLONGER DANS L'EAU)
DECALCOMANIA (MOJE CON AGUA)



REPEAT SEVERAL TIMES
RÉPÉTER PLUSIEURS FOIS
REPITA VARIAS VECES



REMOVE AND THROW AWAY
À RETIRER ET JETER
QUITE Y TIRE

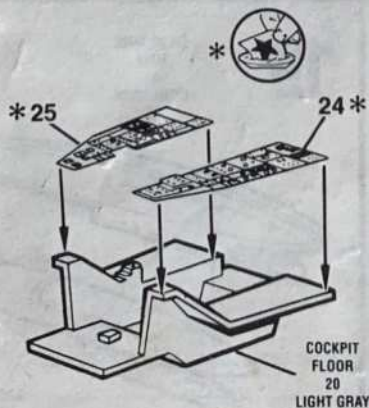


OPTIONAL PARTS
PIECES EN OPTION
PIEZAS OPCIONALES

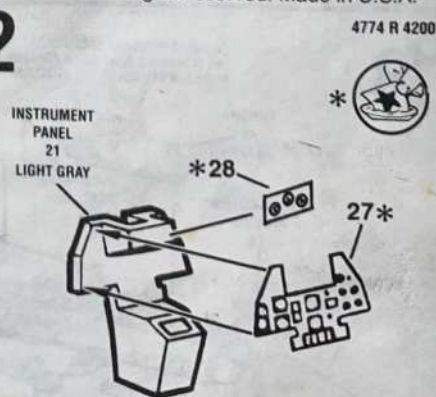
FLAT BLACK	NOIR TERNE	NEGRO APAGADO
FLAT WHITE	BLANC	BLANCO
DARK GULL GRAY	GRIS FONCE	GRIS OSCURO
LIGHT GRAY	GRIS CLAIR	GRIS CLARO
MEDIUM GRAY	GRIS	GRIS
LIGHT YELLOW	JAUNE CLAIR	AMARILLO CLARO
FLAT BROWN	BRUN TERNE	MARRON APAGADO
OLIVE DRAB	VERT OLIVE	ACIETUNADO
ZINC CHROMATE	CHROMATE DE ZINC	CHROMATO DE CINC
RED	ROUGE	ROJO
GREEN	VERT	VERDE
SILVER	ARGENT	PLATA
STEEL	METALLIC	METALLICA

REVELL-MONOGRAM, INC. Morton Grove, IL Copyright © 1994. All rights reserved. Made in U.S.A.

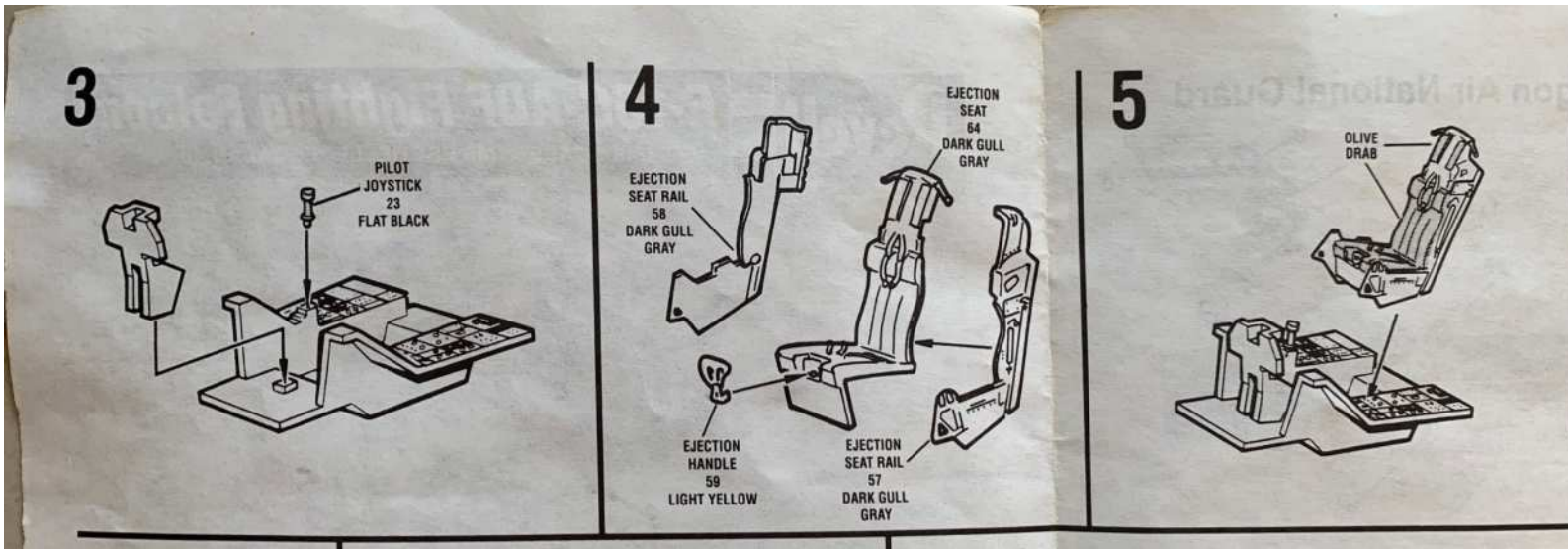
1

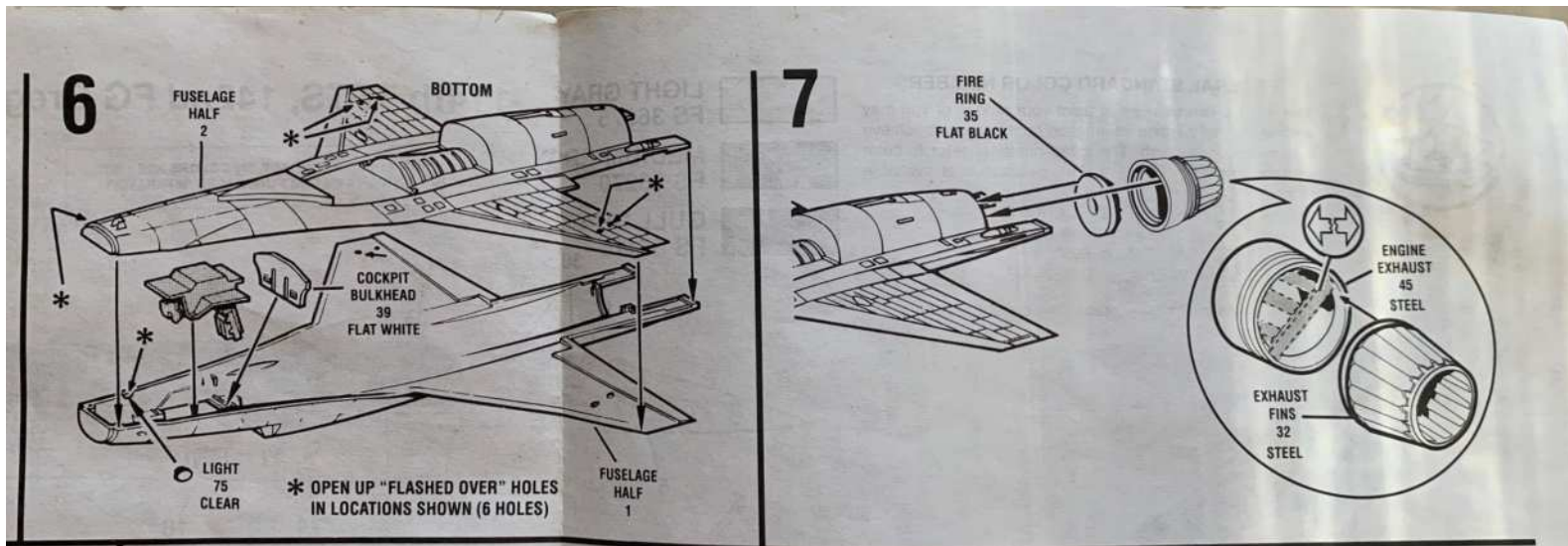


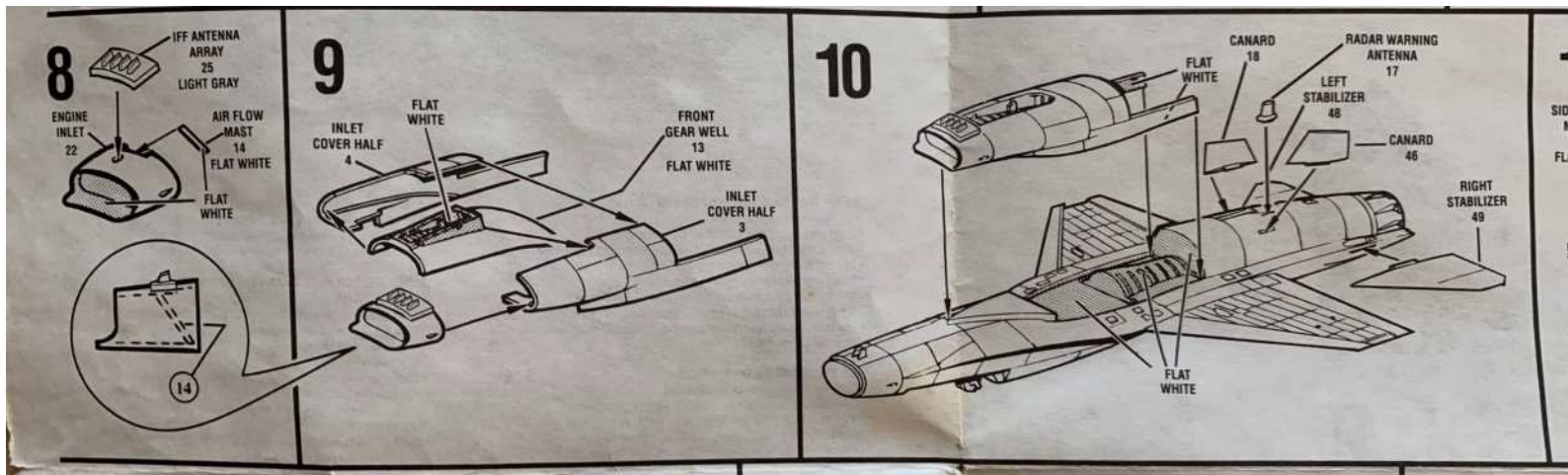
2

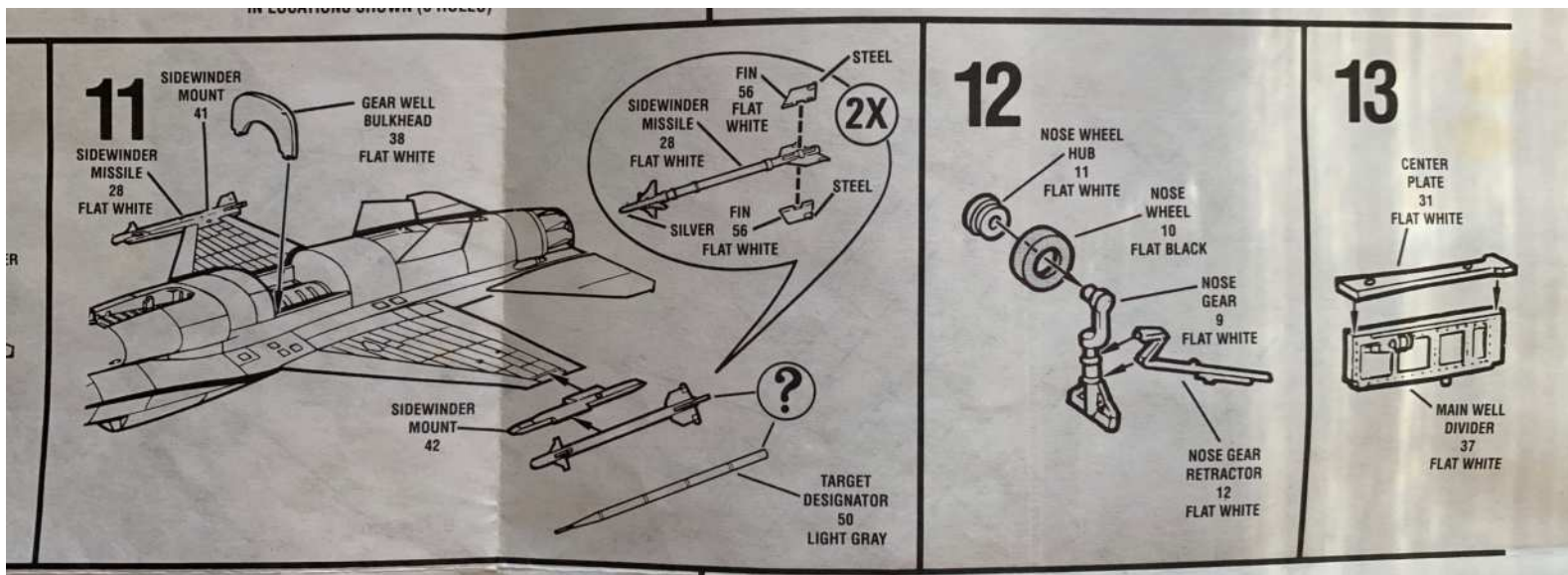


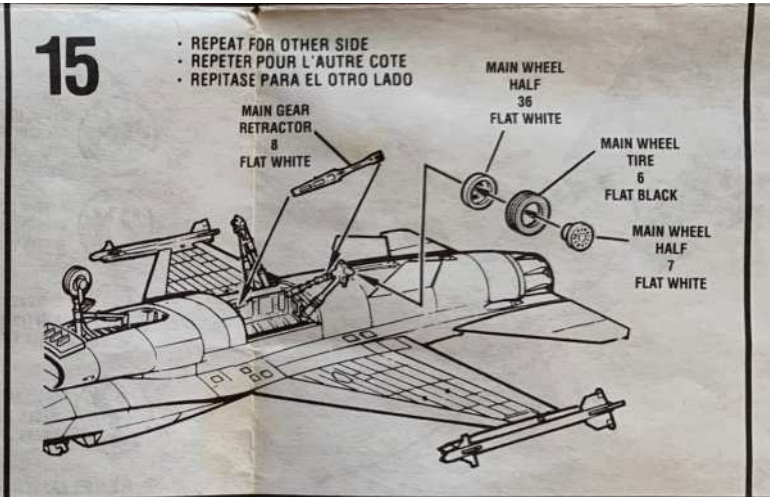
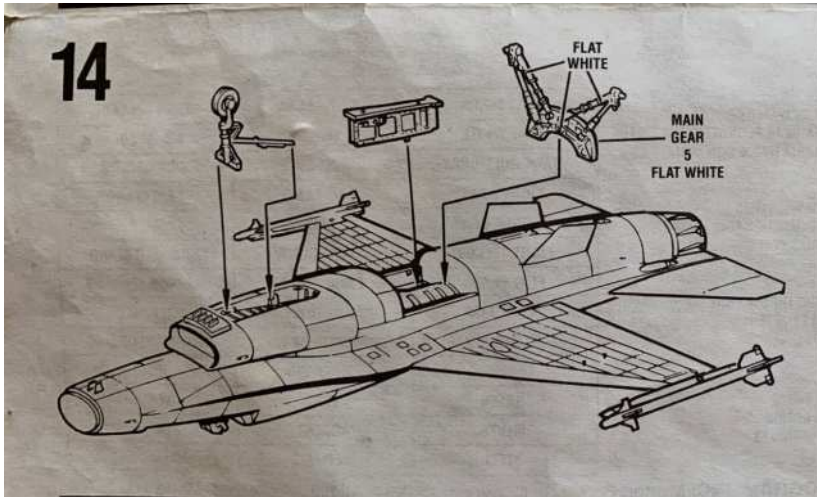
If you have any problems building this model, call our modeling tips hotline at: **(800)833-3570**

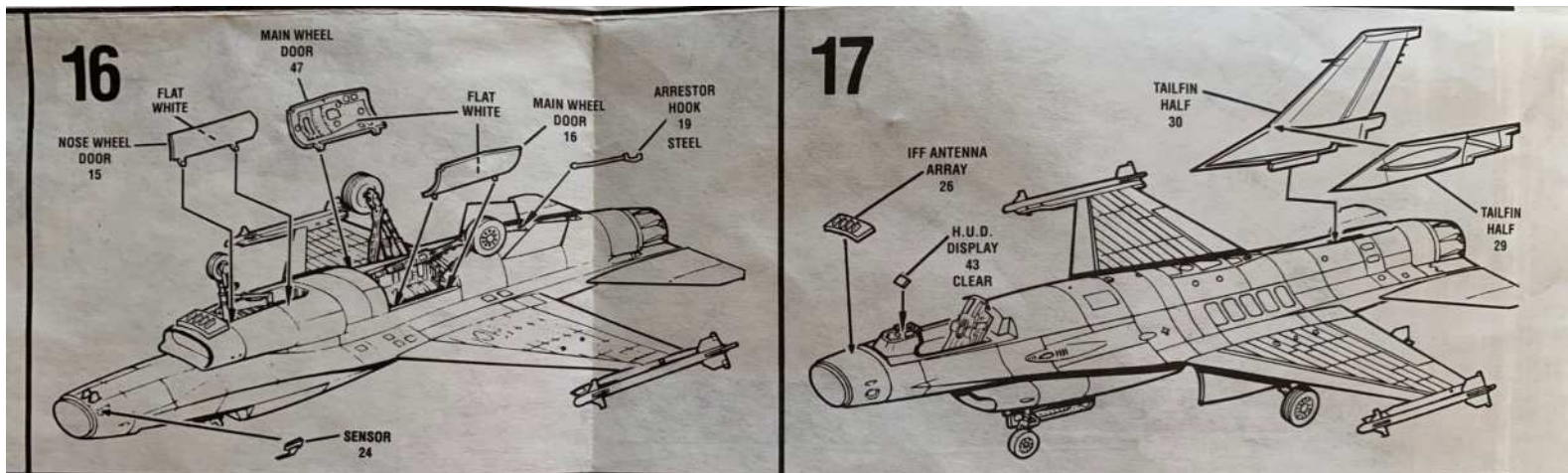






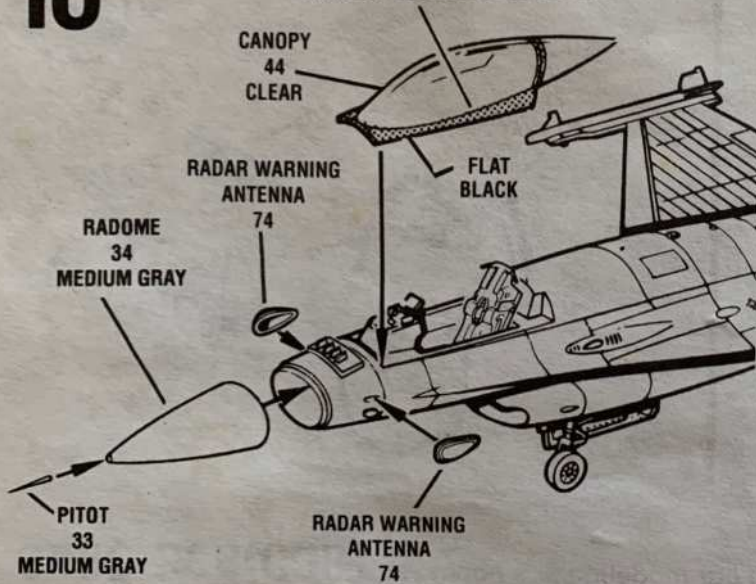






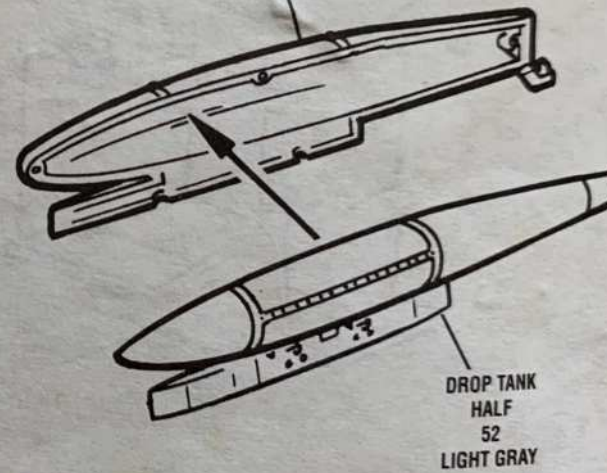
18

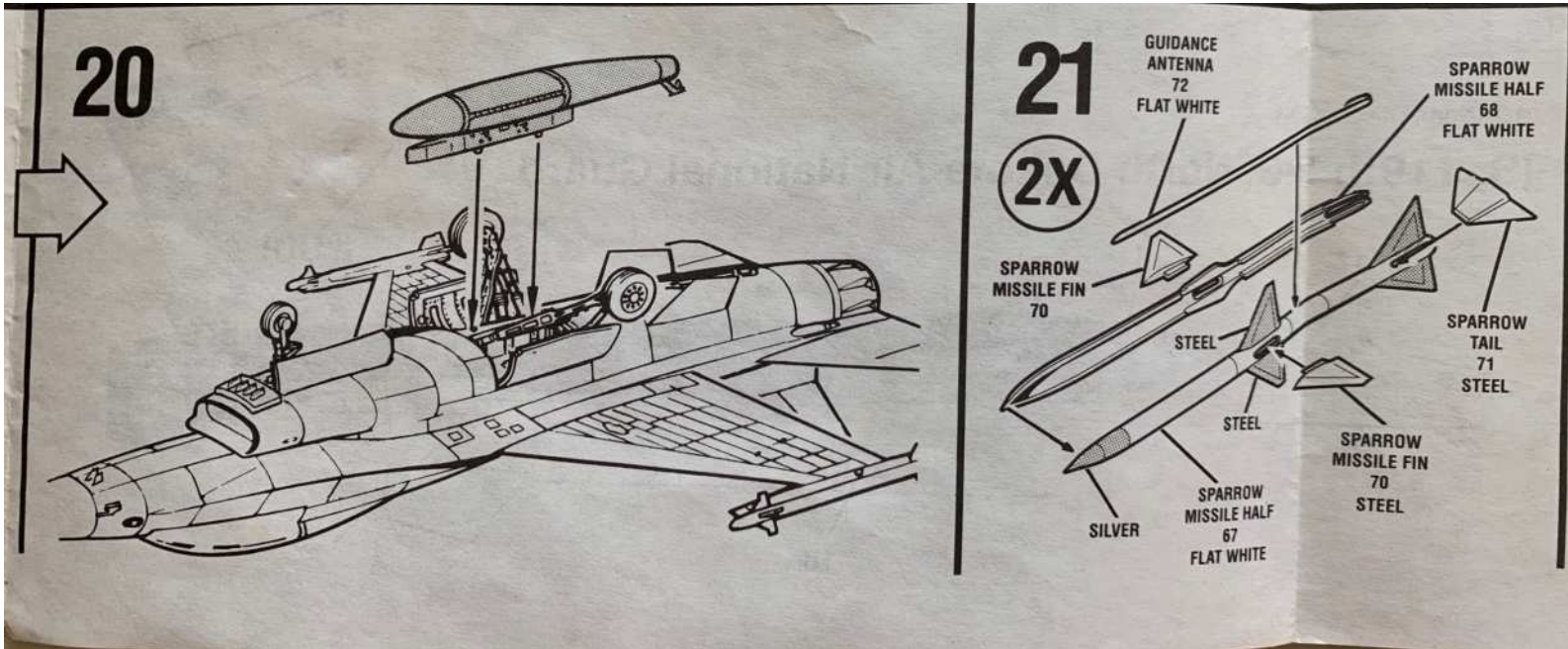
· FRAME IS FUSELAGE COLOR
· LES MONTANTS SONT DE LA COULEUR DU FUSELAGE
· ARMAZON DEL COLOR DEL FUSELAJE



19

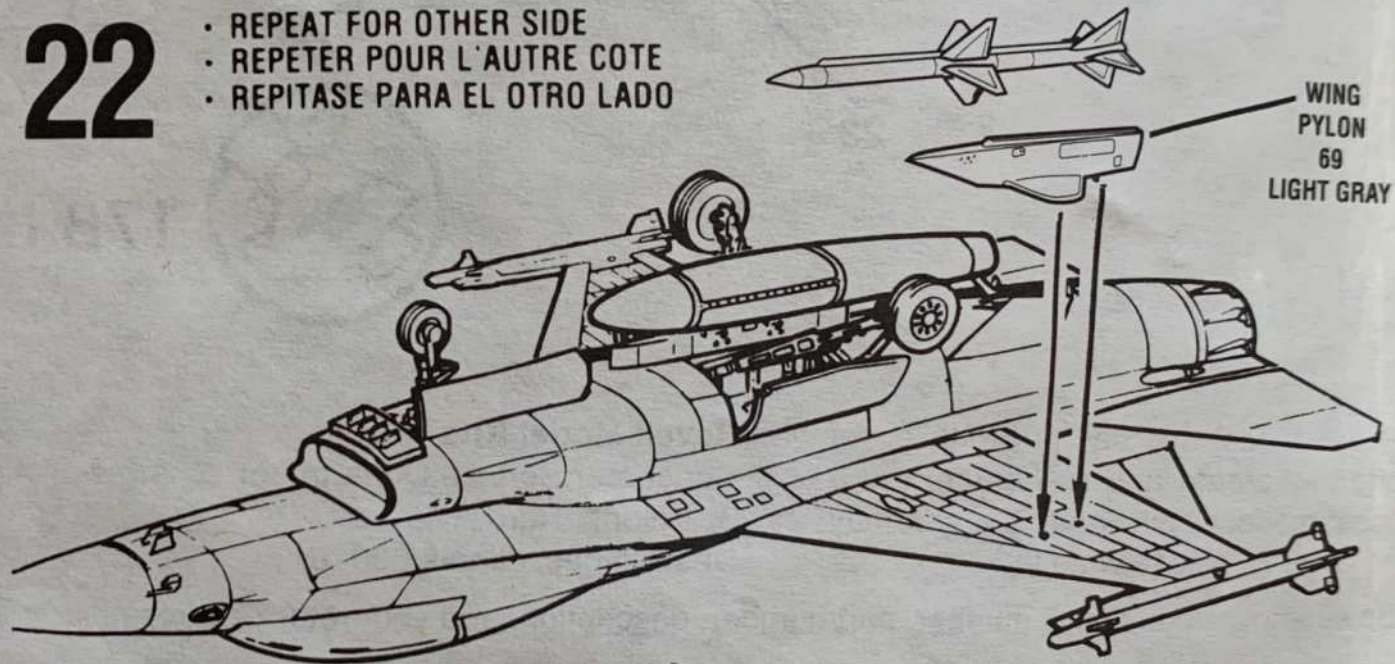
DROP TANK
HALF
51
LIGHT GRAY





22

- REPEAT FOR OTHER SIDE
- REPETER POUR L'AUTRE COTE
- REPITASE PARA EL OTRO LADO



- REMAINING PARTS MAY BE DISCARDED.
- SE DÉFAIRE DES PIÈCES RESTANTES.
- LAS PIEZAS QUE SOBREN PUEDEN DESCARTARSE.

4774 R 4200



FEDERAL STANDARD COLOR NUMBERS

The box top can be used to paint your model, or you may wish to use the painting information on this page to achieve a more accurate finish. The listed numbers refer to color samples printed in FS 595a. This publication is available from:

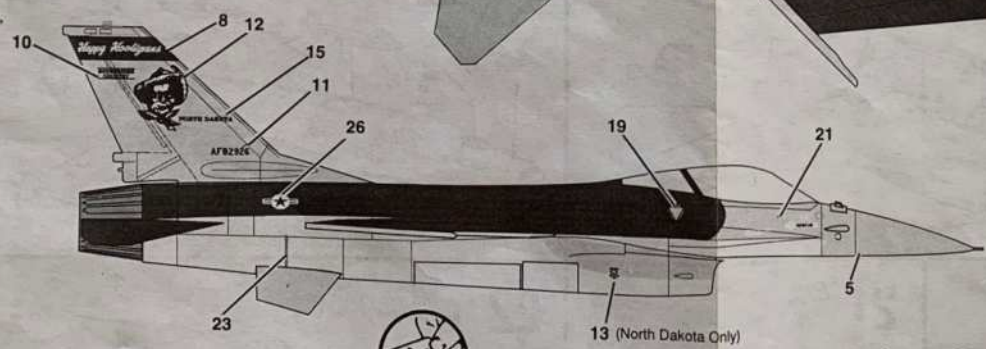
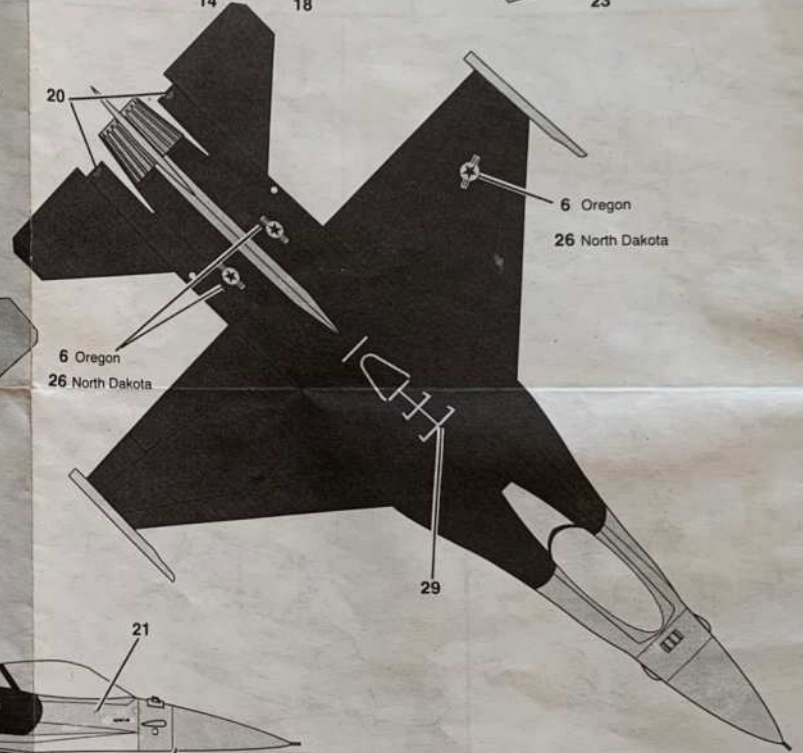
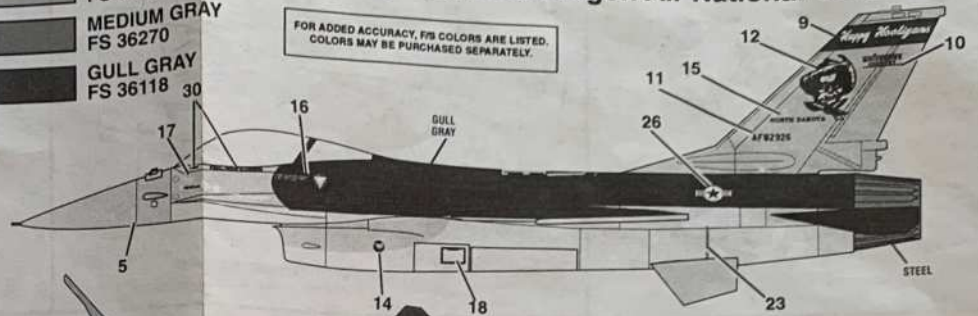
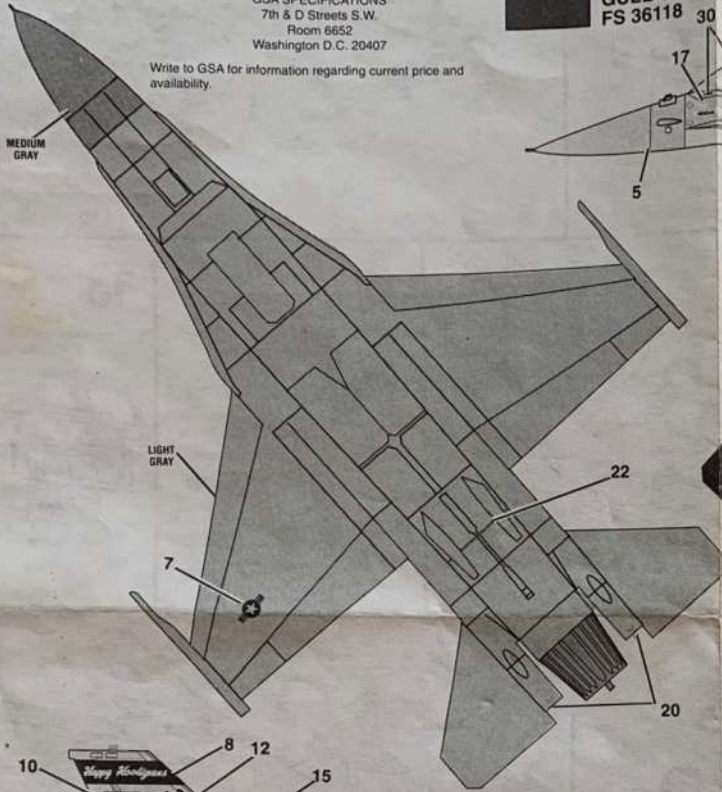
GSA SPECIFICATIONS
7th & D Streets S.W.
Room 6652
Washington D.C. 20407

Write to GSA for information regarding current price and availability.

-  LIGHT GRAY
FS 36375
-  MEDIUM GRAY
FS 36270
-  GULL GRAY
FS 36118

114th TFFS, 142nd FG Oregon Air National Guard

FOR ADDED ACCURACY, FS COLORS ARE LISTED.
COLORS MAY BE PURCHASED SEPARATELY.



178th FIS, 119th FIG, North Dakota Air National Guard

Revell Model Kits has put forth every effort to create and manufacture the finest model kit available. If a part may be missing, please write to:

Revell Model Kits
Consumer Service Department
301 North Third Avenue
Des Plaines, Illinois 60016

Be sure to include the kit number, part number, description, and your return address



Many of the military paint colors shown on this instruction sheet can be found at your local hobby shop or mail order hobby supplier.



FEDERAL STANDARD COLOR NUMBERS

The box top can be used to paint your model, or you may wish to use the painting information on this page to achieve a more accurate finish. The listed numbers refer to color samples printed in FS 595a. This publication is available from:

GSA SPECIFICATIONS
7th & D Streets S.W.
Room 6652
Washington D.C. 20407

Write to GSA for information regarding current price and availability.

	LIGHT GRAY FS 36375
	MEDIUM GRAY FS 36270
	GULL GRAY FS 36118

