

BRITISH
ARMY

CHIEFTAIN MK5

TAMIYA PLASTIC MODEL CO.
3-7 ONDWARA, SHIZUOKA-CITY, JAPAN.

1/35 MILITARY MINIATURE SERIES



CHIEFTAIN MK 5 MAIN BATTLE TANK by Chris Ellis
The Chieftain Tank is one of the best known of the present generation of battlefield weapons, and is one of the most heavily armoured and armed fighting vehicles in service anywhere today. It has not been without its detractors or critics, however, and there has been a running debate by military commentators for several years past on the relative merits of the British Chieftain Tank compared with the main battle tanks of other great military powers - the United States, Soviet Russia, France and West Germany - whose present equivalent designs afford a fascinating contrast with Chieftain in many key aspects.

The Chieftain, however, was developed as a result of British tank experience in World War II and after, and reflects the priorities which British tank men felt to be the most important in terms of firepower, protection and mobility. British tank development in World War II resulted in the famous Centurion, which first appeared in 1945 in the closing weeks of the war. The Centurion, together with the Soviet T-34/85, and German Panther, represented the culmination of thinking (arising from actual experience) which pointed the need for a "universal" battlefield tank with an optimum combination of large, powerful gun, good speed and adequate armour, able to undertake the roles previously performed by several classes of specialised tank, variously known as infantry tanks, cruiser tanks, medium tanks, and so on, all differing in their main characteristics. Battle debut of the Centurion, however, did not come until 1951-52 when it went into action in Korea, where the type of "armoured division" warfare of 1945 was not repeated. In Korea, nonetheless, the efficacy of the Centurion design was proven, and it proved superior to the T-34/85 which was in the hands of the enemy. The British ideal of a single "universal" tank had, meanwhile, been disturbed by the appearance of the Soviet Josef Stalin III tank in 1945, with a powerful 122 mm gun.

In the immediate post-war years it became clear that Soviet Russia and her East European allies (later the Warsaw Pact powers) posed the greatest threat to Western Europe in any future conflict, and this led, subsequently, to the setting up of NATO. If war broke out, much of the initial fighting at least would take place in Europe, notably in Northern Germany, and Britain's armoured divisions were either located in or earmarked for deployment to Germany. The backbone of the Soviet armoured divisions in the 1950s was the formidable JS-III and its T-10 derivative, both with the 122 mm gun, which could out-shoot the 20 pdr. (84 mm) gun of the early service versions of Centurion. To strengthen the firepower of the Centurion, therefore, the British developed and introduced a "heavy tank gun", the Conqueror, with a 120 mm gun specifically to match the Stalin. The Centurion at this time was classed as a "medium gun tank".

The Conqueror was unsatisfactory in many ways: it was very heavy, noisy, relatively slow, and made an extra logistic liability for relatively few vehicles. By 1956 the Conqueror was withdrawn from service and an up-gunned Centurion with 105 mm gun was in service. More significant still, however, was that the British by this time had a new tank in production, the Chieftain, which was to replace both the Centurion and Conqueror, with firepower superior to both. Initial studies for a new "medium" tank gun to replace these two tanks started in the early 1950s and by 1954 some definite proposals had been formulated by the British General Staff. It was planned that the new vehicle should not exceed 50 tons in weight, should have a gun of 120 mm calibre, low sloped superstructure, particularly at the front, and a new, compact V-8 engine instead of the Meteor engine of the Centurion. It was originally thought that the maximum calibre of the gun would be no greater than 105 mm, due to the weight and size of the 120 mm round in a vehicle of relatively small size, but this problem was overcome by developing a 120 mm round with bagged, as opposed to cased, charges, as used in large calibre naval guns. In the event, the 105 mm gun was developed and fitted to later marks of the Centurion, and the 120 mm gun became feasible for the new design. The new tank was originally designated "Medium Gun Tank No. 2, FV 4201" and the contract for design work went to Leyland Motors, who had been main contractors for Centurion.

Some fairly radical design features were involved in FV 4201, quite apart from the proposed 120 mm gun. To give

a low sloped hull, it was decided to dispense with the conventional seated driving position and give the driver a semi-reclining station, central in the hull front. A sloped, faceted glacis, quite similar to that of the Stalin tank, was featured in early design studies, though this evolved into a flatter sloped and cast nose in the final design. To give the best ballistic shape to the turret it was to have a sloped, pointed front, eliminating the wide mantlet of earlier tanks. The well-tried Horstmann suspension, as used in the Centurion, was to be retained. In order to test the feasibility of the new requirements, Leyland built a running prototype in 1956, largely based on Centurion components. Popularly known as the "40 ton Centurion", but designated FV4202 and intended only for test purposes, this vehicle featured both a semi-reclining driver position and a pointed cast turret front. There was still much development work to do, however, notably the need to develop a new engine capable of running on several different types of fuel in accordance with a new NATO policy decision introduced in 1957. Leyland came up with a new motor, the L60, which was a two-stroke with vertically opposed pistons, developed from a German compression ignition design. This work caused the whole programme to be delayed and further complicated, for the entire rear end of the vehicle had to be re-designed to take the new engine, taking the weight above the originally scheduled 50 tons in the process. Ironically, also, troubles with this engine hampered the vehicle even after it reached production and service status.

A finalised specification for the FV4201 was drawn up in 1958, and a wood mock-up was ready by early 1959. By this time the design contract had been passed from Leyland to Vickers-Armstrong, the speed requirement had been increased to a maximum of 26 mph, with a range of 300 miles, and there was an increase in elevation and depression of the gun to improve the maximum and minimum ranges. The first running prototype, without a turret, was ready in late 1959, and six prototypes with turrets were delivered for army trials in 1961-62. Various changes were introduced early on. The design originally had smaller road wheels than the Centurion, but this gave a ground clearance of only 17 inches, which proved too low. The problem was overcome by reverting to the same road wheels as the Centurion, and increasing ground clearance to 22 inches in the process. Rubber pads were added to the tracks to prevent damage to public roads, and the exhaust system was much modified following some technical changes to prevent the gearbox from overheating.

The characteristics of the FV4201, subsequently known as the Chieftain Main Battle Tank, have not changed greatly since its first appearance, though there have been several detail changes. The outstanding feature of the vehicle is, of course, its L11 120 mm gun. This can fire APDS (armour-piercing discarding sabot), and HESH/HE (high explosive squash head/high explosive) rounds with all charges in bagged form. Fire-resistant stowage is provided for the bagged charges. A ranging machine gun is fitted integral with the main armament, and is linked to the sight with graticule marks scaled for the appropriate types of ammunition. Rapid sight correction is possible by direct observation of the ranging machine gun strikes on the target. This basically simple optical ranging technique was first developed for later marks of Centurion, and its reputation as a "foolproof" and accurate system has been further enhanced in the Chieftain, and has given British tank gunners a "second to none" record, with a good chance of a direct hit with the first round away - important considerations when ammunition capacity in the tank is limited, and when the potential enemy may have superior numbers of tanks. For indirect fire the conventional type of ranging drum and clinometer are used. A contra-rotating cupola with hand traverse enables the commander to select and indicate targets rapidly, and a sight linked to the gunner's sight enables the commander to aim the gun from the cupola position. A GP machine gun is fitted to the cupola and can be aimed and fired remotely with the cupola closed down. The commander's main binocular sight is fitted in the rotating part of the cupola with the fixed part of the cupola containing nine periscopes to give an all-round view. The gun is stabilised in elevation and the turret is stabilised in azimuth, so that the gun can be fired with a high degree of accuracy even while the vehicle is moving. There is a light projector

in a box on the left side of the turret, offering either white light or infra-red light for night fighting, the system being linked for elevation with the gunner's sight. The gunner and the commander have optional infra-red converters for their sights, and the commander's spotlight can be fitted with an infra-red filter. The driver's reclining position is flanked by battery and ammunition stowage, and he has a periscope behind his hatch. There are conventional steering levers with epicyclic gearbox and Merritt differential transmission; transmission is automatic with foot pedal gearchange selector. The superstructure overhangs the tracks to give the necessary turret ring radius. Both the hull and turret fronts are complex castings, and the hull front is said to have given some problems in the casting when production first started.

Development of the Chieftain since it entered production is best seen by summarising the various models:

Chieftain Mk 1 About 40 of these vehicles were built, largely for extended troop trials and training. After test service with 1st and 5th RTR, the type was cleared for service in 1963. A distinguishing feature was the split hatches to the cupola similar to those on later types of Centurion.

Chieftain Mk 2 This was the definitive production version which first went into service (with the 11th Hussars) in 1967. It had a one-piece cupola hatch and special ventilation equipment on the turret rear to enable the vehicle to operate closed down in nuclear and biological warfare conditions. The armour plating on the light projector was reduced, stowage reduced, and snorkel wading equipment was supplied in place of a flotation kit originally envisaged. This type saw extensive service in the late 1960s and early 1970s, and, indeed, the Chieftain rapidly replaced the Centurion as the British Army's main battle tank once production was under way. Special purpose models - a recovery vehicle, AURE, and bridgelayer have appeared.

Chieftain Mk 3 This version appeared in 1969 and had a better auxiliary generator and detail improvements to the engine. The L60 engine proved complex, and successive marks of the Chieftain have had the engine gradually upgraded to give the full designed power output. An improved cupola, and modified internal stowage were other changes.

Chieftain Mk 3/2 This saw a big step forward, in that the fire control arrangements were modified so that an advanced laser sight for the gunner can be fitted.

Chieftain Mk 5 First announced in 1970, this was the main type in service in the mid 1970s. Further engine modifications bring the power output up to 750 bph, with consequent improvement in overall performance, and revision of the ammunition stowage arrangements enabled 64 rounds to be stowed. Splash plates have been added on the glacis.

The Chieftain has been compared, inevitably, with the French AMX-30, the West German Leopard, and the US M60A1. All these tanks have speed and mobility superior to the Chieftain and are lighter in weight. They also have the 105 mm gun and are inferior to Chieftain in firepower and armour. Whether mobility or firepower will be the most crucial top quality in any European major war has yet to be put to the test, but the pace of technology in armoured warfare is relentless. The Soviets have made big progress with fire-established ammunition (in their T-62 and new T-72 battle tanks) and the Israeli-Arab "Yom Kippur" war of October, 1973 showed for the first time that the main battle tank was very vulnerable to tactical anti-tank missiles skillfully employed. It may be, therefore, that the Chieftain could be the last of the traditional type of tank in the form in which it has been accepted for many years past. Whatever the future, however, Chieftain remains an exciting and powerful fighting vehicle. It has been ordered by the Iranian Army and has interested many others, though the great expense of one of these vehicles (over £100,000 each in 1967) limits their availability.



(Read Before Assembly)

★You will need a sharp knife, a pair of pliers, a pair of tweezers, and a file.

★Do not Break parts away from sprue, but cut off carefully with a pair of pliers.

★Use glue sparingly. Use only enough to make a good bond. Apply cement to both parts to be joined.

● This mark shows the color this part should be painted. For overall painting and marking, refer to page 7.

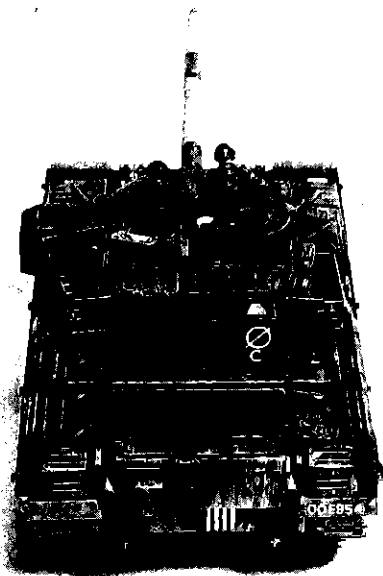
(Vor Beginn die Bauanleitung studieren.)

★Die Teile nach Bauabschnitten zusammenbauen. Teile nicht vom Spritzling brechen - abschneiden oder abzwicken, vor Kleben zusammenhalten - auf Passung achten.

★Nicht zuviel Klebstoff verwenden.

Kleine Teile mit Pinzette halten.

★Abziehbilder vorsichtig im Wasser abschieben, auf richtigen Sitz achten und gut trocknen.



Like to detail your models?

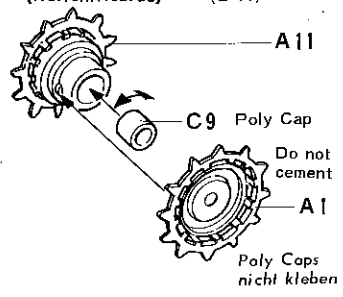
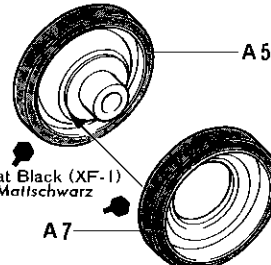
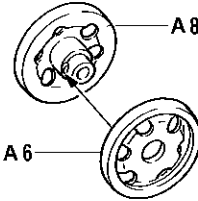
Tamiya has a fine line of photo albums that will help you in the super detailing of your tank models or diorama construction. See them at your nearest Tamiya supply house, or order direct from the factory.

**1 Construction of Wheels
Zusammenbau der Räder**

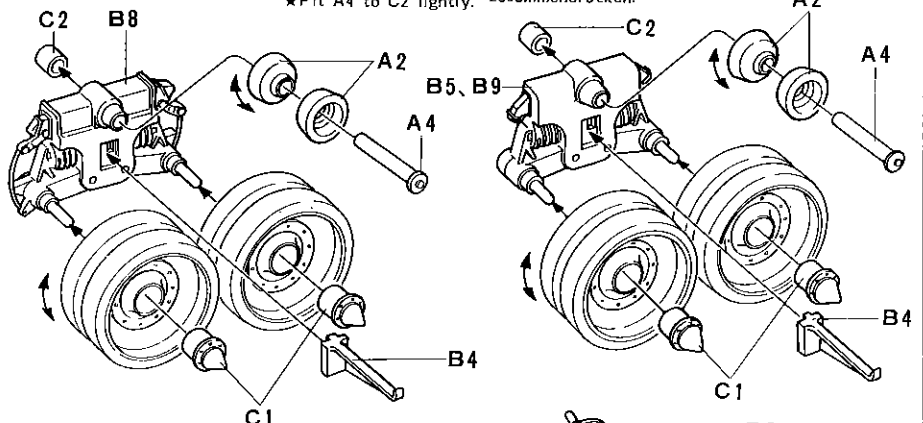
(Road Wheel) Make 12 sets
(Laufrad) (12 ×)

(Idler Wheel) Make 2 sets.
(Leitrad) (2 ×)

(Sprocket Wheel) Make 2 sets.
(Kettentriebrad) (2 ×)

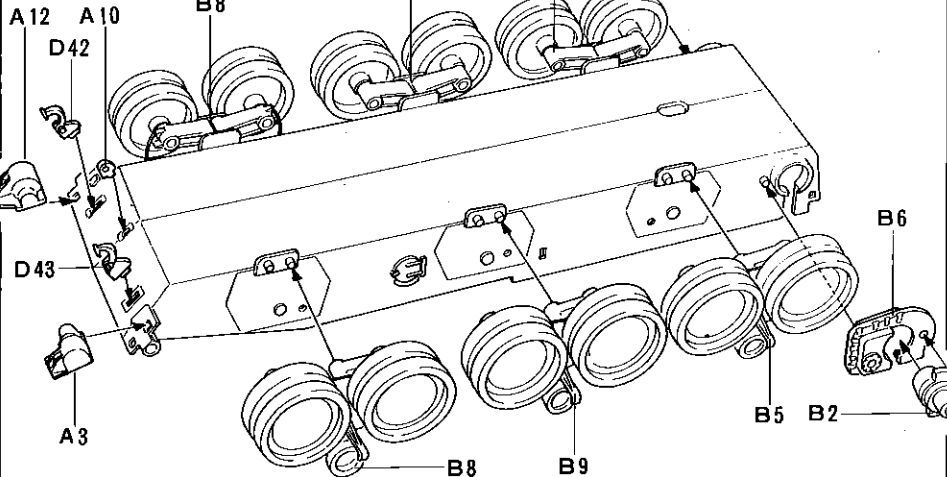


**2 Construction of Suspension
Construction der Radaufhängung**

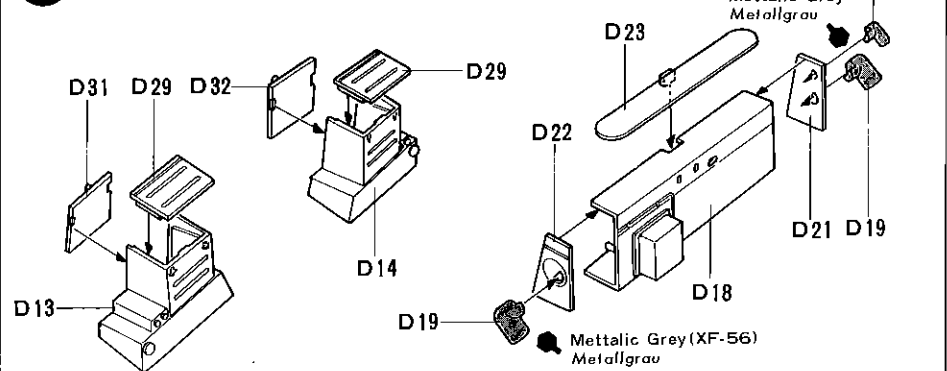


**3 Fixing of Suspension
Einbau der Radaufhängung**

★Make sure of number of suspension.
★Auf die Nummerierung achten.



**4 Construction of Rear Panel Parts
Zusammenbau der Heckteile**

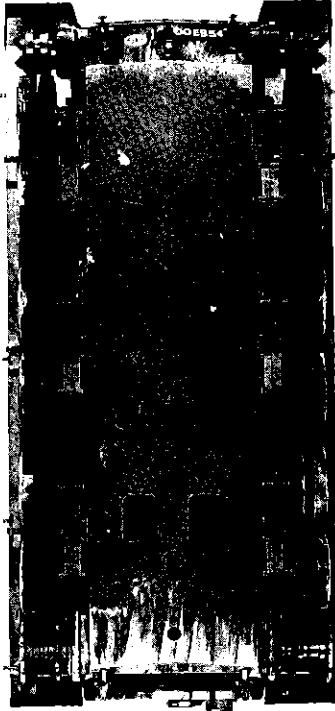


6 (Fixing of Rear Panel)

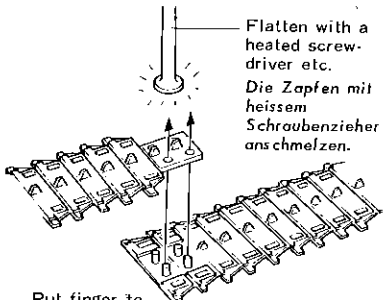
Wheels are designed to rotate. Fit them onto shafts. When you fix Rear Panel, widen Lower Hull carefully and cement in position.

(Einbau der Heckplatte, Leit- und Triebäder)

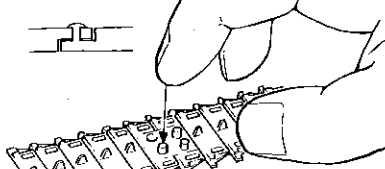
Die Räder sind drehbar, nur auf Achsen stecken. Beim Einbau der Heckplatte Panzerwanne vorsichtig etwas dehnen und Heckplatte einkleben.



(Construction of Tracks) Construction der Ketten



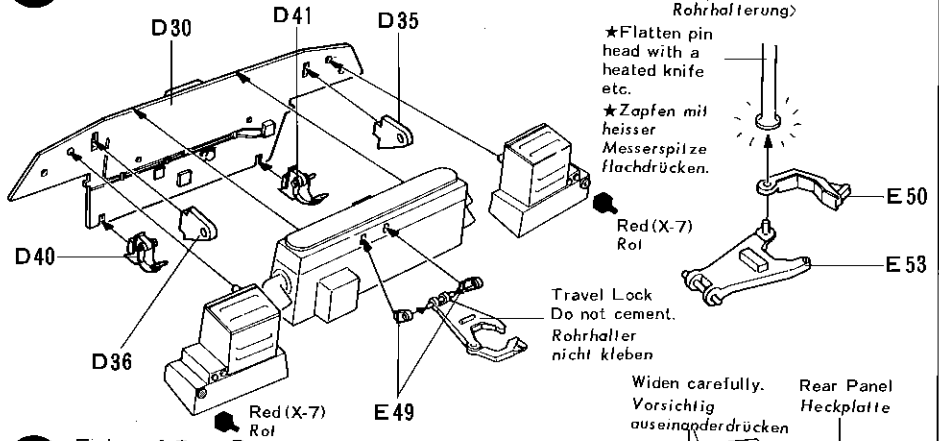
Put finger to make pins as in the figure.
Mit Finger flachdrücken



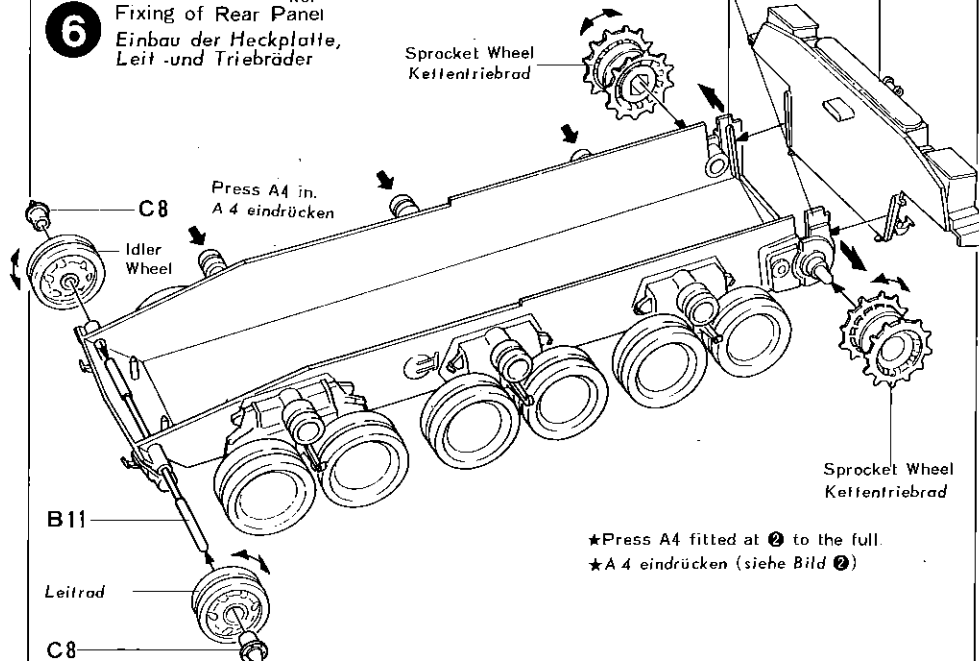
★If track broken, strengthen with staplers, or thread.

★Bei Kettenbruch mit Heftklammern oder Draht flicken.

5 Construction of Rear Panel Construction der Heckplatte

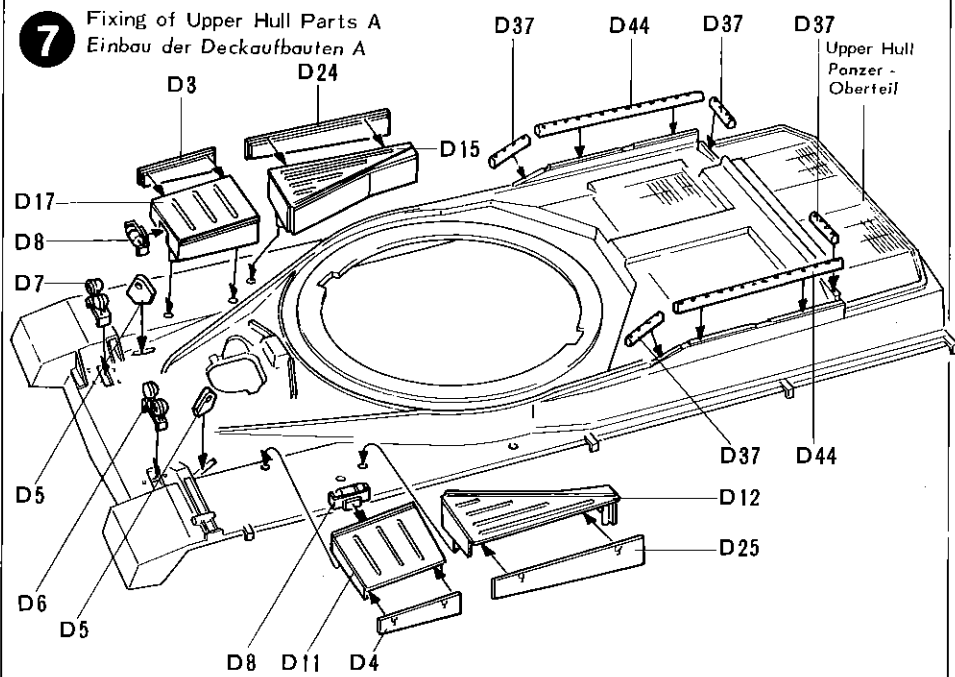


6 Fixing of Rear Panel Einbau der Heckplatte, Leit- und Triebäder



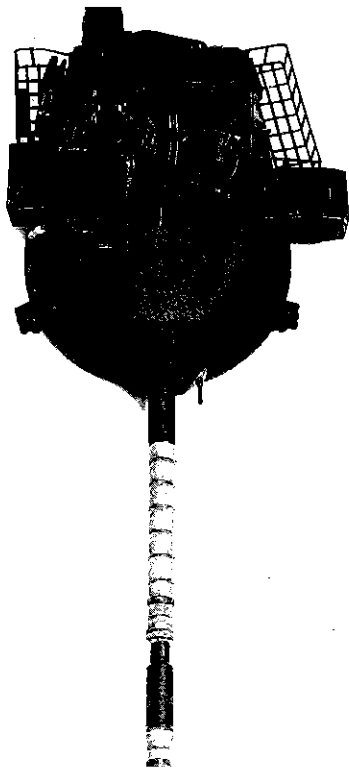
★Press A4 fitted at ② to the full
★A 4 eindrücken (siehe Bild ②)

7 Fixing of Upper Hull Parts A Einbau der Deckaufbauten A

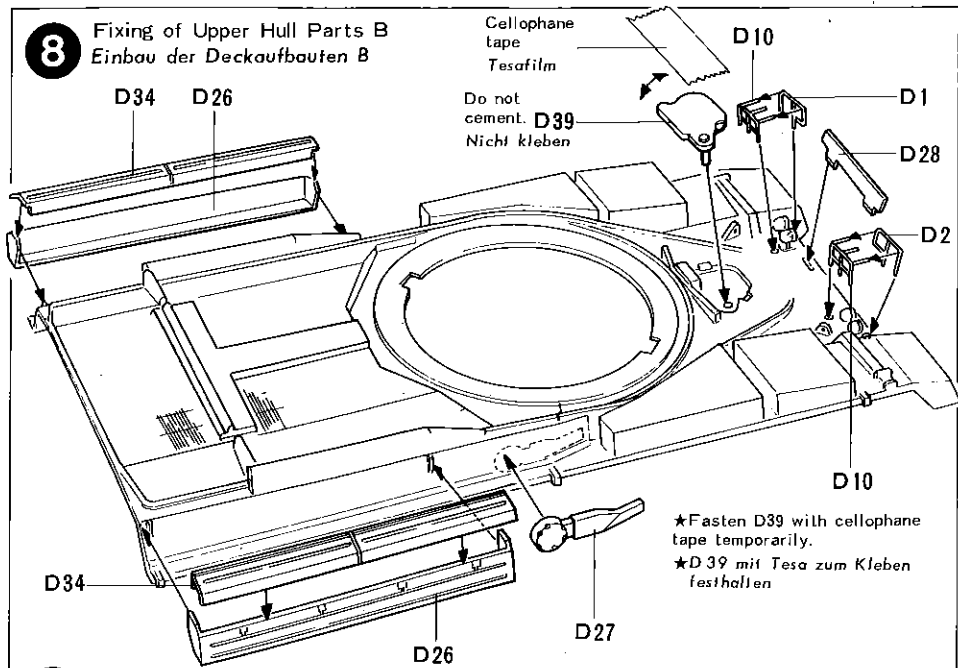


8 (Fixing of Upper Hull Parts B)
 Press Driver's Hatch in position shown in the figure and fasten with cellophane tape temporarily.

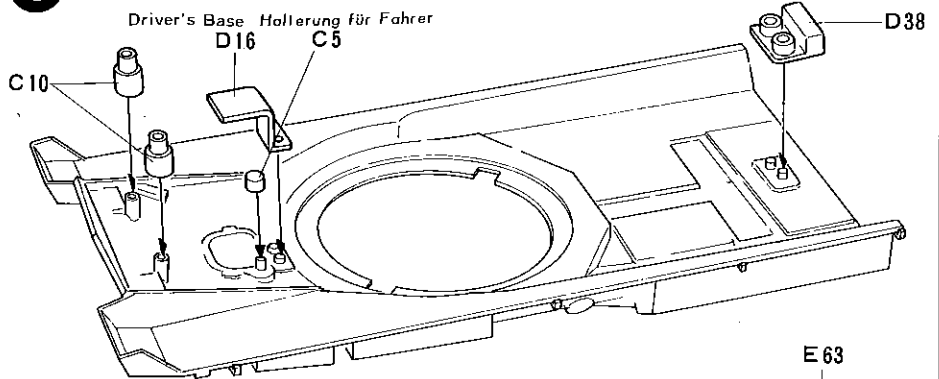
(Einbau der Deckaufbauten B)
 Fahrerluke in Position kleben und mit Tesa zum Trocknen festhalten.



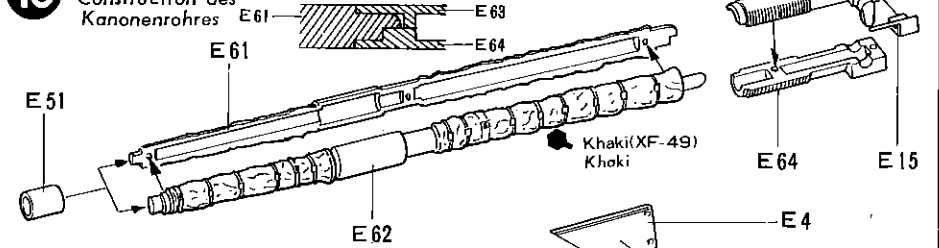
8 Fixing of Upper Hull Parts B
 Einbau der Deckaufbauten B



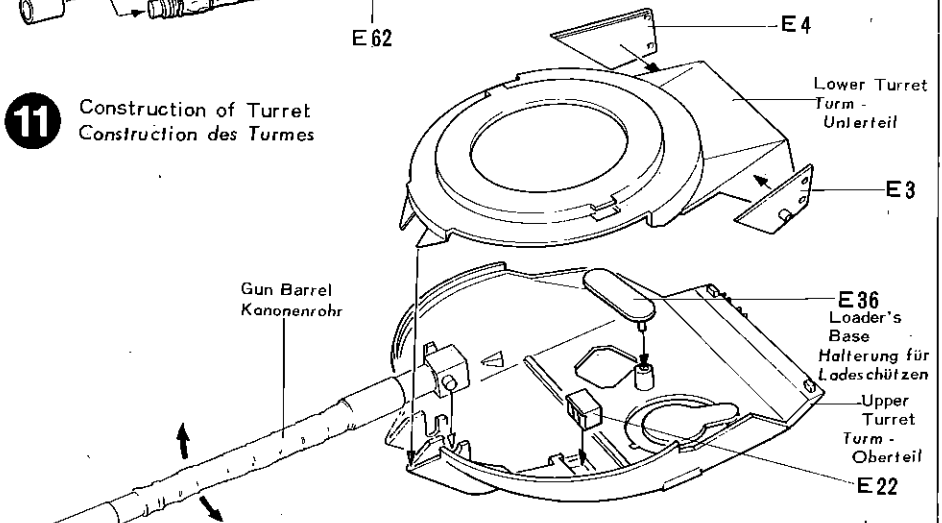
9 Construction of Upper Hull Inside
 Construction der Innenteile



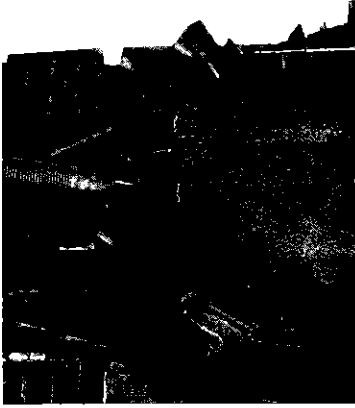
10 Construction of Gun Barrel
 Construction des Kanonenrohres



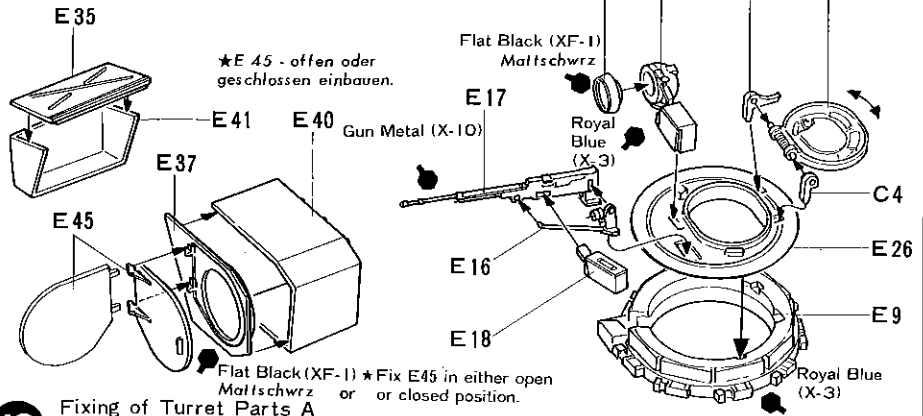
11 Construction of Turret
 Construction des Turmes



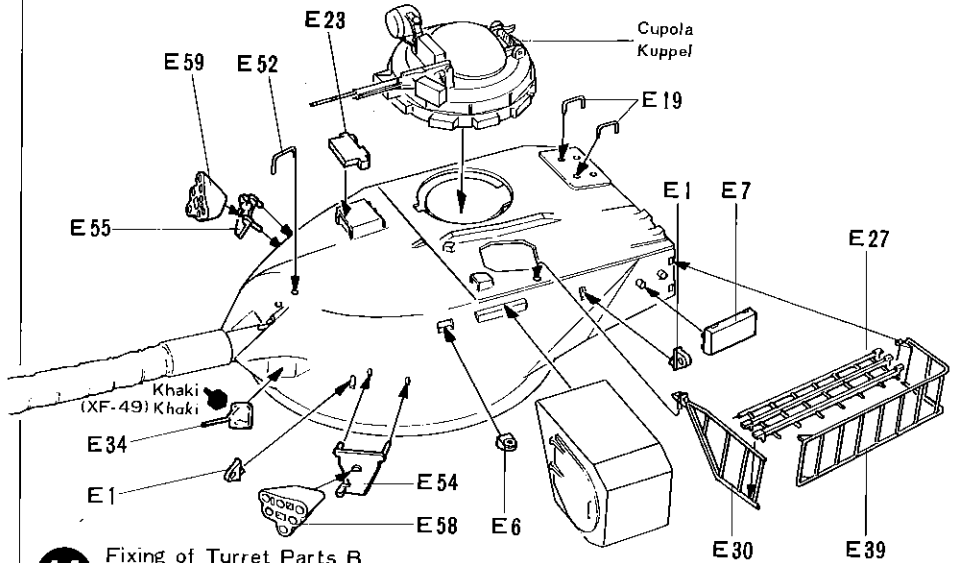
(Fixing of Turret Parts)
(Einbau der Turmteile)



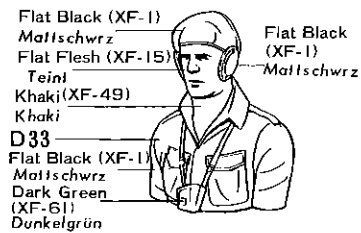
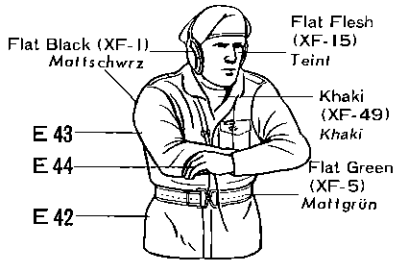
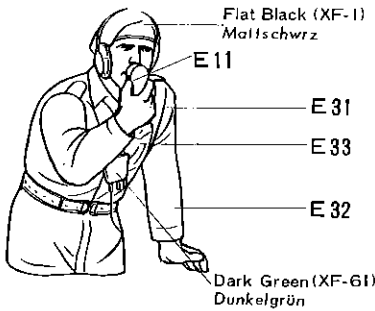
12 Construction of Turret Parts
Construction der Turmteile



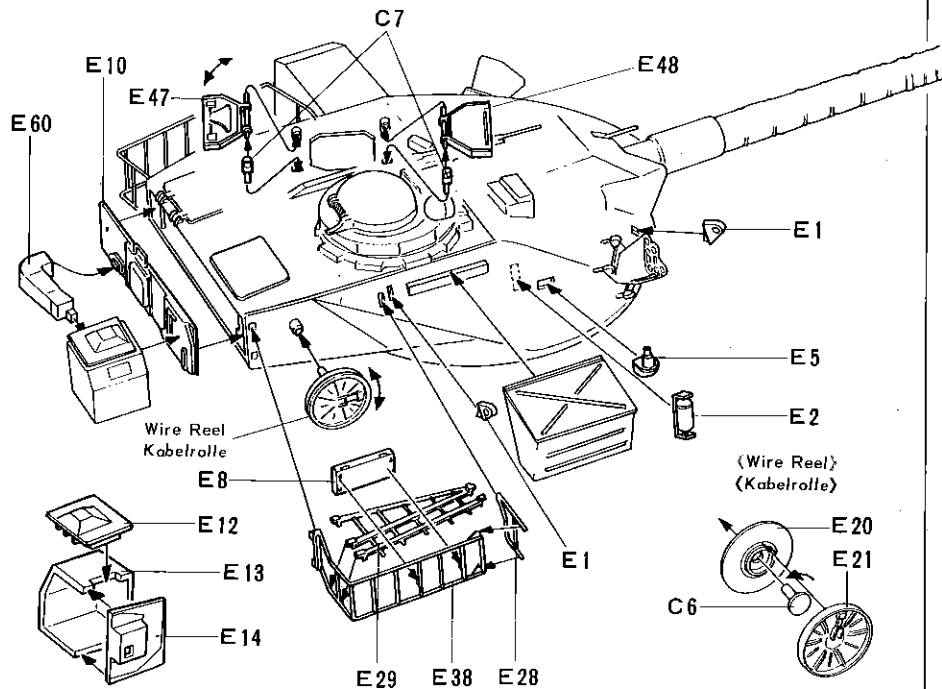
13 Fixing of Turret Parts A
Einbau der Turmteile A



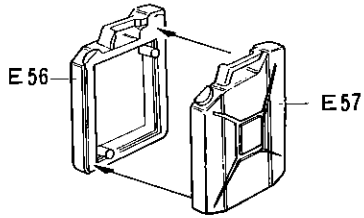
(Construction and Painting of Figures)
(Männchenbau)



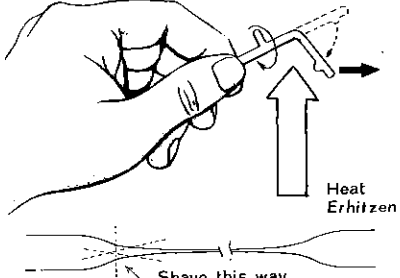
14 Fixing of Turret Parts B
Einbau der Turmteile B



«Construction of Jerrycan»
«Construction der Kanister»



«How to Make Antenna»
«Antennbau»

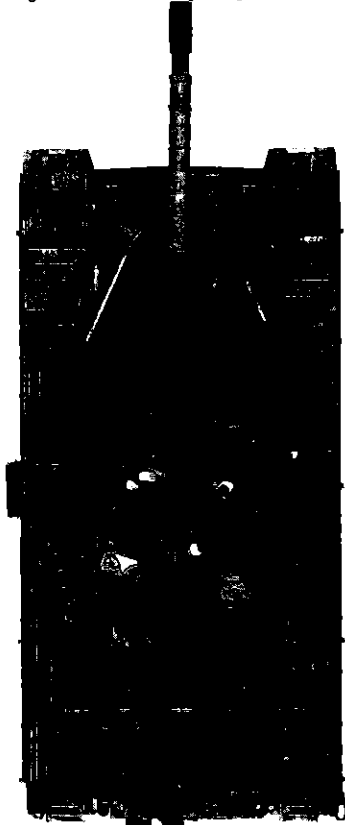


★Heat one of runner and when melt a little, stretch opposite way. Hold it about 15 seconds to cool. Cut 2 pieces of 4 cm long.

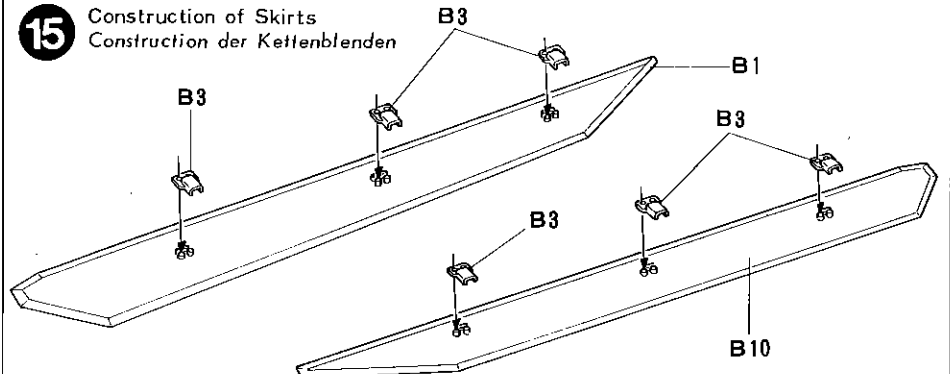
★Ein Stück vom Spritzling über Kerze gerade biegen. Dann in der Mitte im Drehen erhitzen. Wenn Plastik schmilzt, nicht weiter erhitzen und langsam auseinanderziehen und ca.15 Sek.abkühlen, 2 Stück a 4 cm abschneiden.

★Place Figures to the tank as shown in the photo below.

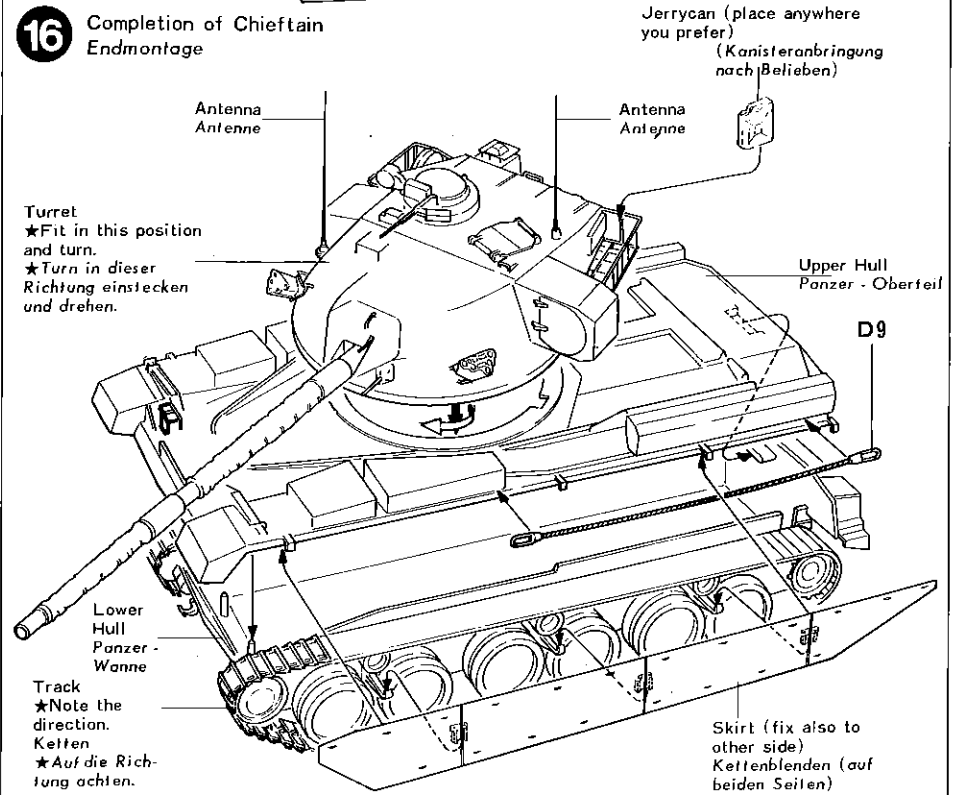
★Figuren wie im Bild gezeigt einsetzen



15 Construction of Skirts
Construction der Kettenblenden



16 Completion of Chieftain
Endmontage



Turret
★Fit in this position and turn.
★Turn in dieser Richtung einstecken und drehen.

Track
★Note the direction.
Ketten
★Auf die Richtung achten.

Jerrycan (place anywhere you prefer)
(Kanisteranbringung nach Belieben)

Skirt (fix also to other side)
Kettenblenden (auf beiden Seiten)



PAINTING & APPLYING DECALS

Painting of the British Tank
The British Royal Army's fighting tanks have been mostly painted in just one colour..... dark green. The famous Chieftain tanks of the army also usually come in the same single dark green. In case of camouflage painting, the Chieftain tanks have been most commonly painted green on dark green base. This camouflage scheme features large patches of each colour and clear dividing lines, which seems to be common in British military vehicles. Shading off of one colour into another to make dividing lines unclear or painting in leopard-skin style has been hard to find among British tanks.

Colours to be Used

- Flat Black XF-1
- Flat Green XF-5
- Metallic Grey XF-56
- Buff XF-57
- Dark Green XF-61
- Red X-7
- Chrome Silver X-11

Bemalung des Chieftain

Die Kampfpanzer der brit. Royal Armee waren meistens in einer Farbe - dunkelgrün.

Der berühmte Chieftain war ebenfalls dunkelgrün. Die Tarnung war einheitlich grün auf dunkelgrün und zeigte grosse Flecken mit scharfen Rändern.

Farben

*Mattschwarz mattgrün metallgrau
matt dunkelgrün rot glänzend silber.*

Marking of the Chieftain Tanks

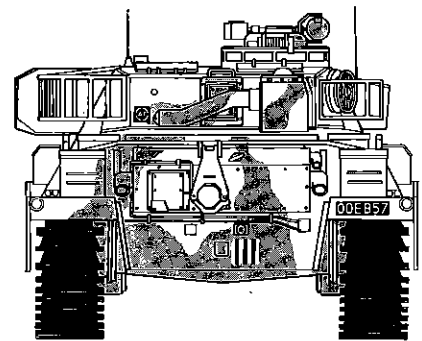
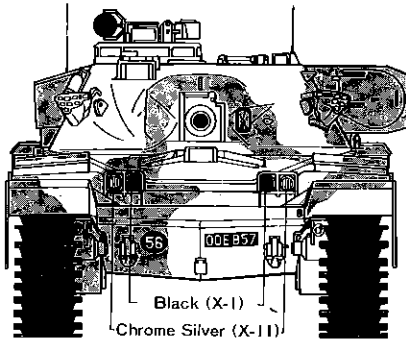
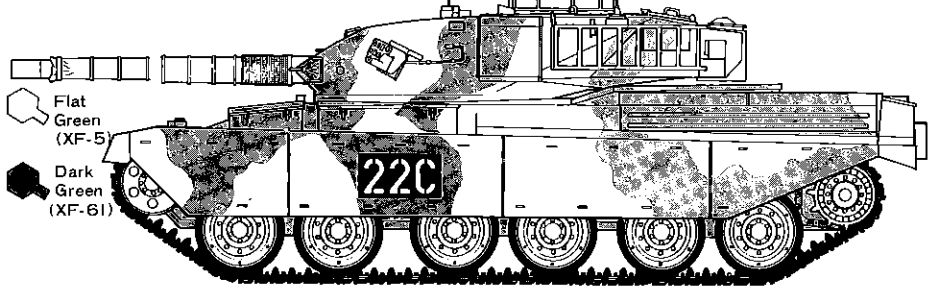
A British army tank carries marking such as follows: Vehicle number, division or brigade mark, and sometimes radio call number (12A or 22C), nickname of the tank (AL CAPONE) or squadron sign.

Markierung des Chieftain

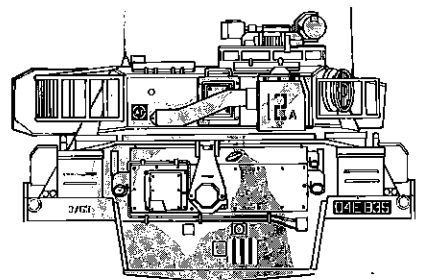
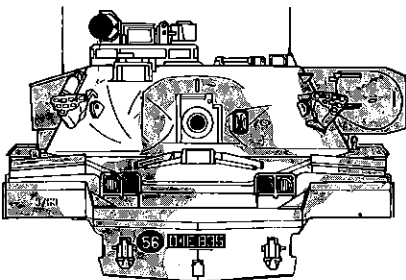
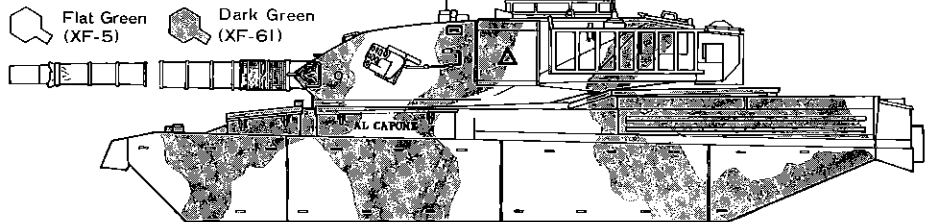
Fahrzeugnummer, Division, Brigade oder Schwadron Zeichen und manchmal Funknummer (12 A od. 22 C)



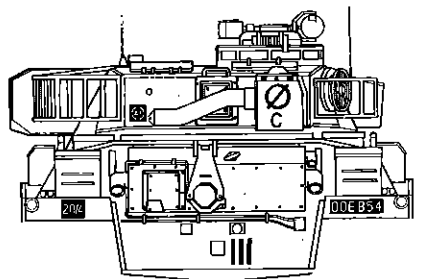
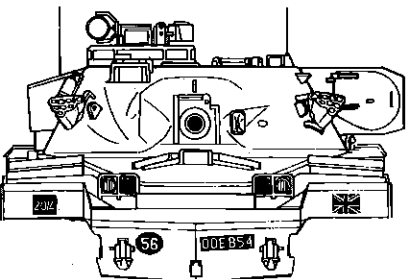
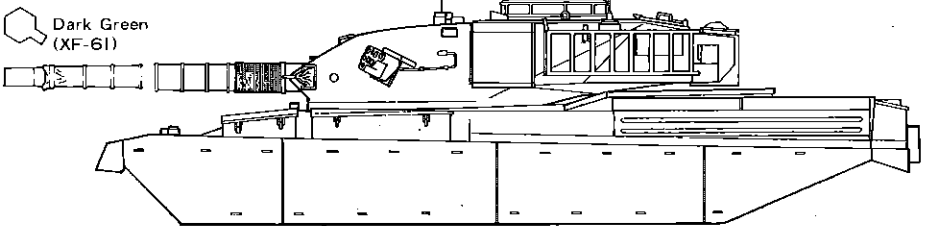
Vehicles Found in Manoeuvres in Canada
Chieftain im Manöver in Canada



Vehicles Used in British Mainland
Chieftain in England



Vehicles Used by Troops Stationing in W. Germany
Chieftain in Westdeutschland



PARTS

A PARTS

1. Sprocket Wheel A
2. Support Roller
3. Shaft Cover (Right)
4. Support Roller Pins
5. Road Wheel A
6. Idler Wheel B
7. Road Wheel B
8. Idler Wheel A
9. Unnecessary
10. Front Eye Hook
11. Sprocket Wheel B
12. Shaft Cover (Left)

B PARTS

1. Skirt (Right)
2. Drive Shaft
3. Skirt Holder
4. Skirt Arms
5. Suspension C
6. Final Case (Right)
7. Final Case (Left)
8. Suspension A
9. Suspension B
10. Skirt (Left)
11. Idler Shaft

C PARTS

1. Road Wheel Cap
2. Support Roller Stopper
3. Commander's Hatch Hinge (Right)
4. Commander's Hatch Hinge (Left)
5. Driver's Hatch Stopper
6. Wire Reel Stopper
7. Loader's Hatch Hinge
8. Idler Wheel Caps
9. Sprocket Caps
10. Hull Stopper Part

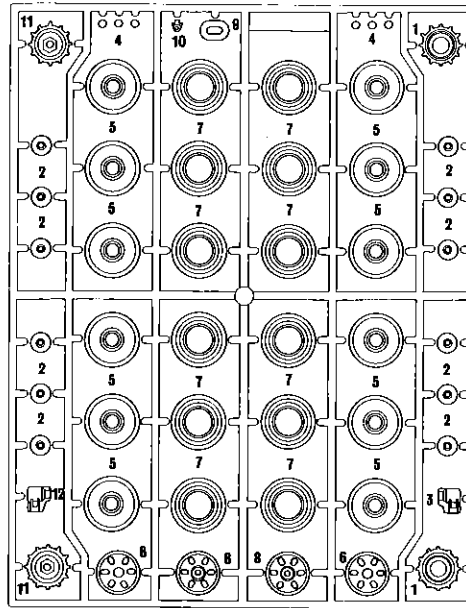
D PARTS

1. Light Cover (Front, Left)
2. Light Cover (Front, Right)
3. Tool Box A Panel (Right)
4. Tool Box A Panel (Left)
5. Upper Hull Eye Hook
6. Headlight (Left)
7. Headlight (Right)
8. Fire Extinguisher A
9. Wire Rope
10. Light Cover (Rear)
11. Tool Box A (Left)
12. Tool Box A (Right)
13. Rear Fender (Left)
14. Rear Fender (Right)
15. Tool Box B (Right)
16. Driver's Base
17. Tool Box B (Left)
18. Exhaust Box
19. Exhaust Pipe A
20. Exhaust Pipe B
21. Exhaust Panel (Right)
22. Exhaust Panel (Left)
23. Exhaust Cover
24. Tool Box B Panel (Right)
25. Tool Box B Panel (Left)
26. Tool Box C (Lower)
27. Ventilator
28. Front Guard
29. Rear Case Lid
30. Hull Rear Panel
31. Rear Case Panel (Left)
32. Rear Case Panel (Right)
33. Driver
34. Tool Box C (Top)
35. Rear Hook A (Left)
36. Rear Hook A (Right)
37. Upper Hull Parts A
38. Hull Stopper Part
39. Driver's Hatch
40. Rear Hook B (Left)
41. Rear Hook B (Right)
42. Front Hook (Right)
43. Front Hook (Left)
44. Upper Hull Parts B

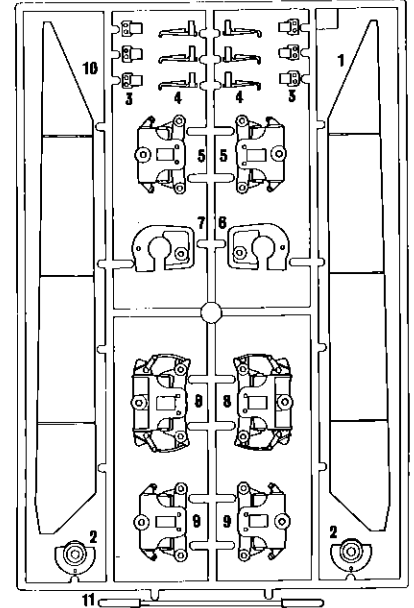
E PARTS

1. Turret Suspending Hook
2. Fire Extinguisher B
3. Turret Panel (Right)
4. Turret Panel (Left)
5. Antenna Holster (Right)
6. Antenna Holster (Left)
7. Tool Box D
8. Tool Box E
9. Cupola (Lower)
10. Turret Rear Panel
11. Microphone
12. Ventilator A
13. Ventilator B
14. Ventilator C
15. Coaxial MG
16. MG Cylinder
17. Turret MG
18. Ammunition Box
19. Turret Inspection Hatch Handle
20. Wire Reel A
21. Wire Reel B
22. Range Finder
23. Finder Cover
24. MG Periscope
25. Lens Cover
26. Cupola (Top)
27. Travel Lock (Left) C
28. Travel Lock (Right) A
29. Travel Lock (Right) C
30. Travel Lock (Left) A
31. Commander's Right Arm
32. Commander's Left Arm
33. Commander's Body
34. Ranging MG
35. Tool Box F (Top)
36. Loader's Base
37. Main Searchlight (Front)
38. Travel Lock (Right) B
39. Travel Lock (Left) B
40. Main Searchlight (Rear)
41. Tool Box F (Lower)
42. Loader's Body
43. Loader's Right Arm
44. Loader's Left Arm
45. Searchlight Cover
46. Commander's Hatch
47. Loader's Hatch A
48. Loader's Hatch B
49. Gun Saddle Hinge
50. Gun Saddle B
51. Muzzle
52. Gun Barrel Hook
53. Gun Saddle A
54. Smoke Discharger Stay (Left)
55. Smoke Discharger Stay (Right)
56. Jerrycan A
57. Jerrycan B
58. Smoke Discharger (Left)
59. Smoke Discharger (Right)
60. Ventilator Pipe
61. Gun Barrel (Right)
62. Gun Barrel (Left)
63. Cannon Drum (Top)
64. Cannon Drum (Lower)

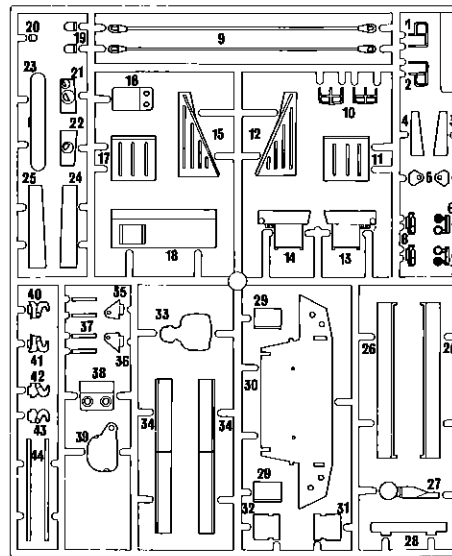
A PARTS



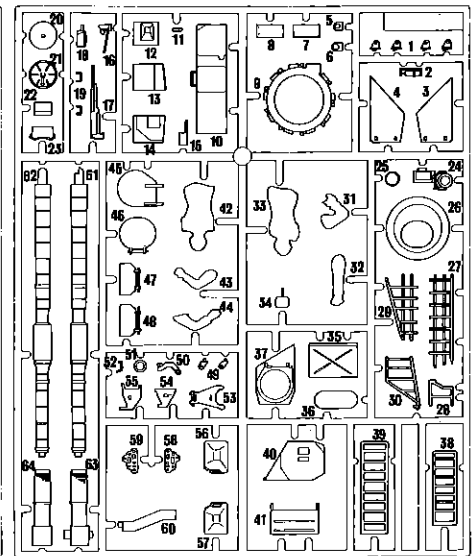
B PARTS



D PARTS



E PARTS



C PARTS

