

MARKINGS AND PAINTING
Marcio & Pittura

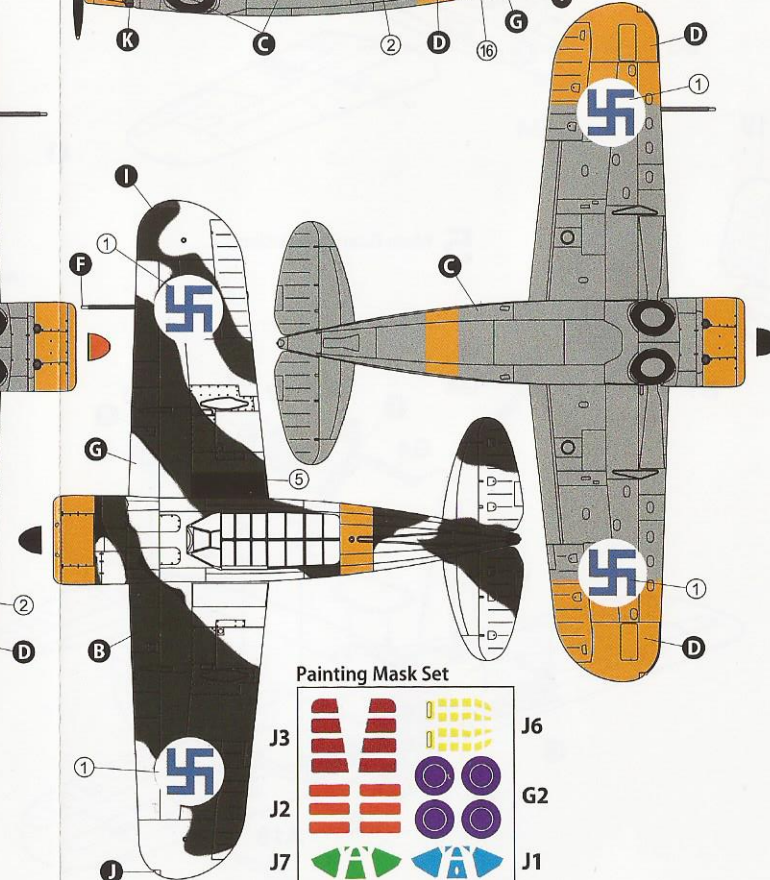
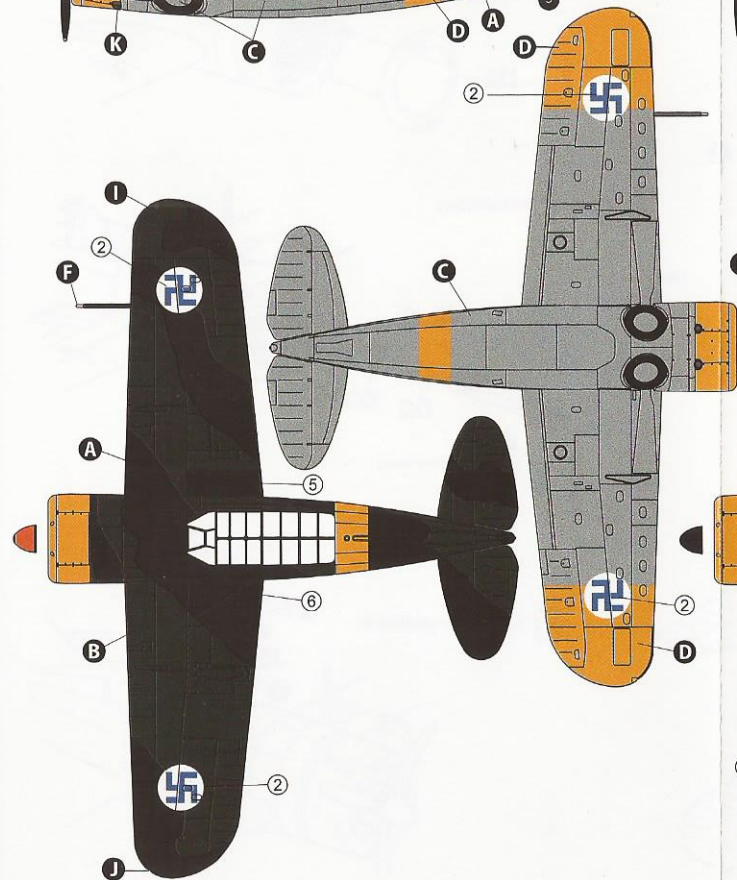
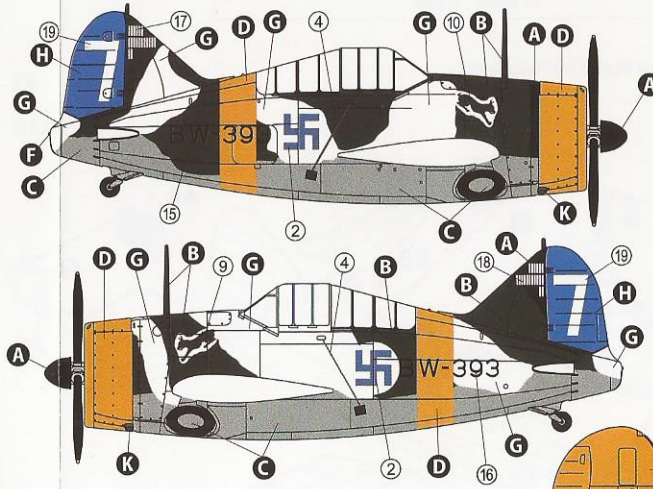
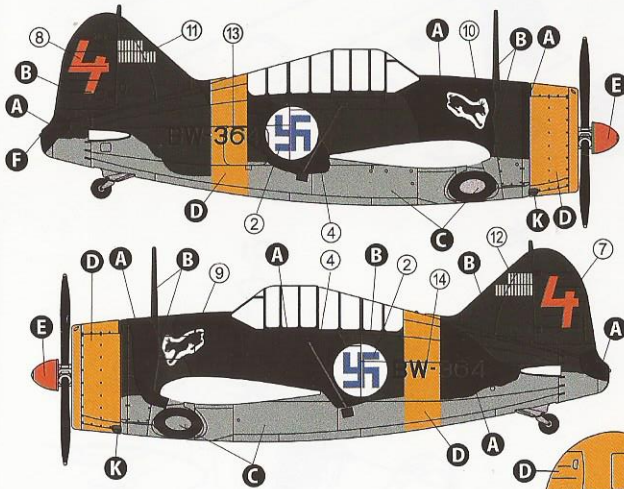
Markierungen und Bemalung
Oznakowania i Malowanie

Decoration et Peinture
Označení & Zbarvení

Decoracion y Pintura

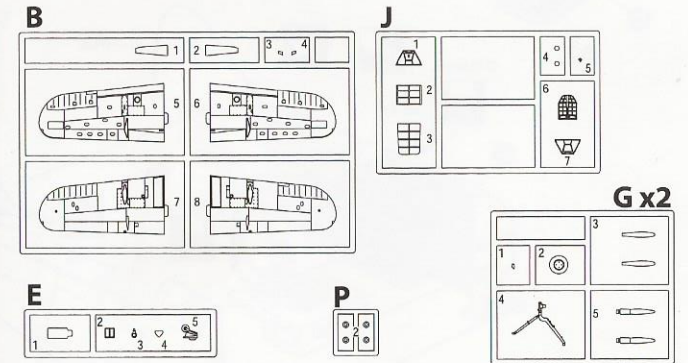
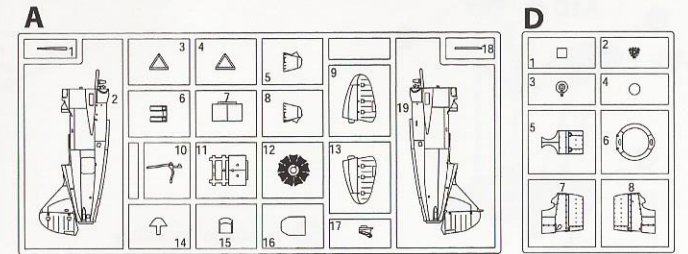
Brewster Model 239, BW-364, 3/LeLv 24, Eino Ilmari "Ilmu" Juutilainen, 26 April 1942.

Brewster Model 239, BW-393, 1/LeLv 24, Hans Henrik "Hasse" Wind, Suulajärvi, April 1943.



Brewster Model 239 Buffalo
Finnish Aces 1942

72011



Color Chart	Mr. COLOR	TAMIYA	Model Master	AMMO	AK REAL COLORS	HATAKA
Flat Black	A	33	XF-1	4768	046	071
Olive Green	B	303	XF-13	4727	206	340
Light Grey	C	325	XF-55	4692	241	220
Matt Yellow	D	329	XF-3	4721	048	007
Orange	E	58	X-06		126	009
Silver	F	8	X-11	4678	195	
Matt White	G	62	XF-2	4769	050	004
Matt Blue	H	25	XF-08	4612	229	
Clear Blue	I	50	X-23	4658	098	504
Clear Red	J	47	X-27	4630	093	503
Rust	K	29	XF-79	4675	040	

ASSEMBLY INSTRUCTION
Istruzioni di Assemblaggio


Bauanleitung
Instrukcja Montażu

Instructions de Montage
Montážní Instrukce

Instrucciones de Montaje

 REMOVE
ENTFERNEN
WYCIĄĆ
ODSTRANIĆ

 RETIRER
CORTAR
SEPARARE

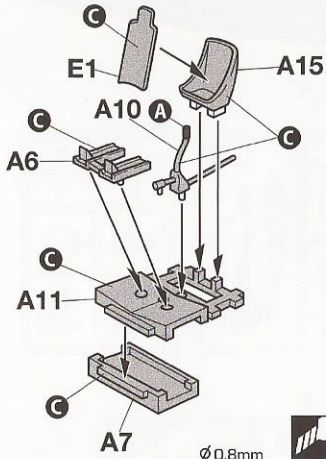
 APPLY DECAL
HIEAR ABZIEHBILD
KALKOMANIA
POUŽITĚ OBTISK

APPLICARE DECALCOMANIE
PONER CALCOMANIA
APPLIQUER DECALCOMANIE

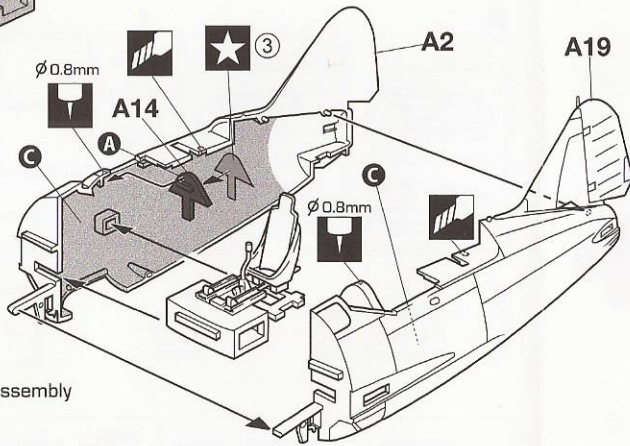
 OPEN HOLE
OFFNEN
WYKONAĆ OTWÓR
VYVRTAT OTVOR

FORO APERTO
HACER AQUJERO
FAIRE UN TROU

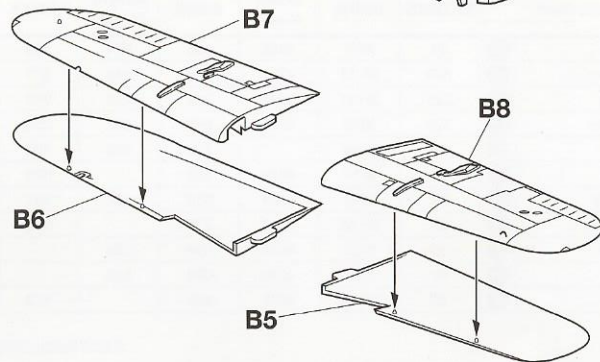
1 Cockpit Assembly



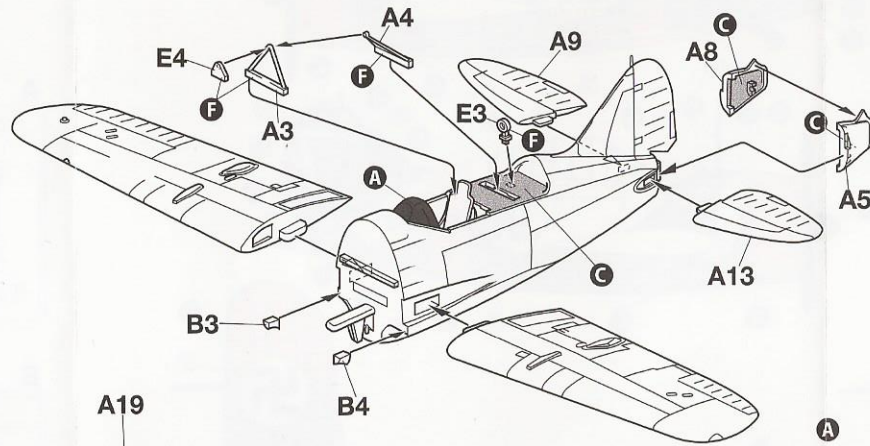
2 Fuselage Assembly



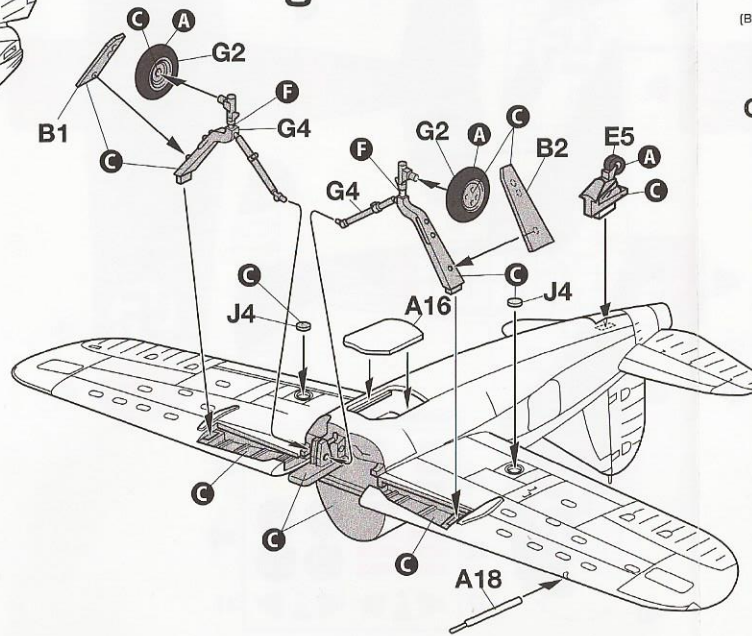
3 Main Wing Assembly



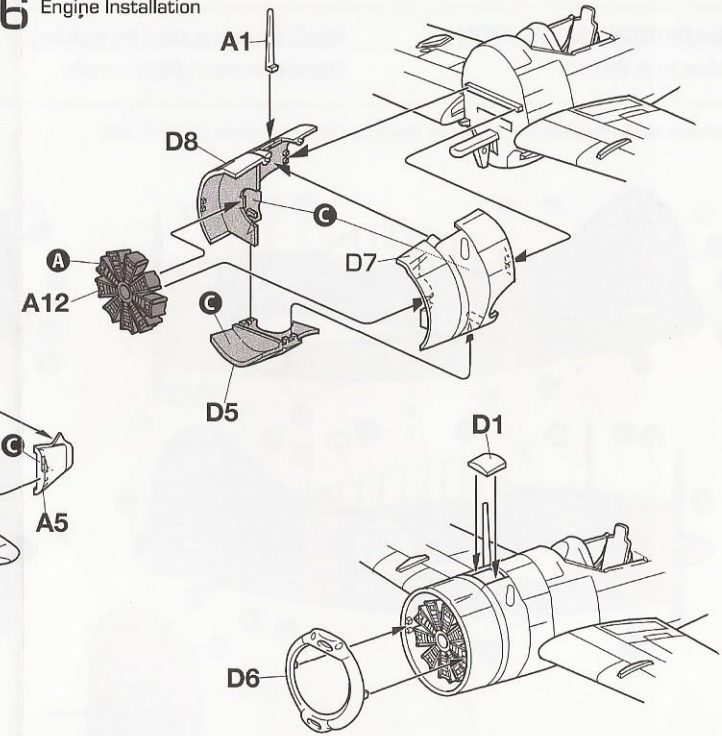
4 Main Wing & Horizontal Stabilizer Installation



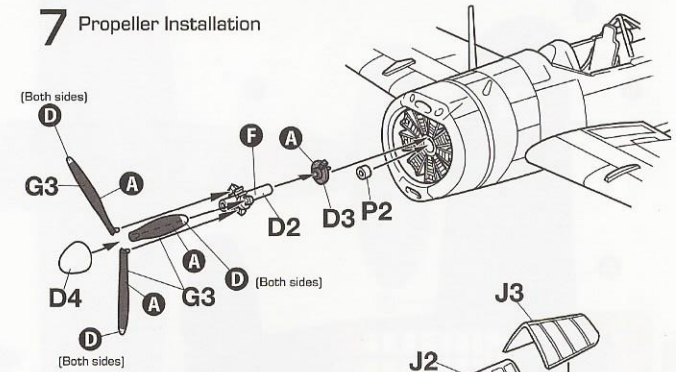
5 Main Gear Installation



6 Engine Installation



7 Propeller Installation



8 Canopy Installation

