



LKW 5t mil glw

ドイツ MAN-5 タンクローリー

德国MAN-5吨油罐车

PLEASE READ BEFORE OPERATION!

- * Tools recommended as below: (Not included)
Adhesives; Paints; Side Cutters; Sharp Edged Pliers; Modeling Knife; Modeling File; Nippers; Drill; Scissors; Sand Paper; Soft Cloth; Cyanoacrylate Glue.
- * Make sure to read this instruction listed below before assembling.
- * The kit contains the small parts, they can be dangerous if swallowed by mistake, so keep them away from reach of children.
- * Cut the all parts off carefully and remove the waste parts into the garbage can.
- * More caution and care should be needed for cutting and handling the photo etched parts.
- * Make attention that some parts should be attached the decal when assembled.
- * During assembling, please tear up and throw away the plastic bags, or may cause the dangerous if wearing over head by children's mistake.
- * When using the adhesives and paints, please do not use them in the closed room or near the fire, also must be very careful to protect your eyes, face and clothes.
- * Adult supervised when assembled by children under 14 years old.

装配前请仔细阅读:

- * 推荐使用的模型工具(请自备):
专用模型胶水, 专用模型油漆, 水口剪刀, 长咀钳, 刀片, 锉刀, 镊子钳, 钻, 剪刀, 软布, 砂纸, 瞬间快干胶等。
- * 用水口剪刀或刀片小心切下所有塑胶零件和蚀刻片零件, 不要遗失小零件。
- * 切取蚀刻片时应特别注意防止利边划伤手指。
- * 用模型锉刀小心锉平所有零件表面的注射浇口。
- * 用适量的强力快干胶水粘合蚀刻片零件和金属轴, 切忌过量, 否则可能导致可动零件被粘住。
- * 注意某些零件表面需在装配时同步贴上水贴纸。
- * 制作时应远离幼儿并将包装袋及时收妥, 谨防小孩玩耍而引起意外。



强力胶

Cyanoacrylate glue



配重

Weight



钻孔

Make hole



切除

Cut/Remove



选择

Option



不涂胶水

No cement



贴纸

Decal



弯曲

Bend



填补

Repair



先装

Install it first

The method to apply the decals

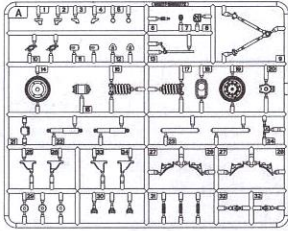
1. Cut off the decal from the decal paper and put it into the warm water 40°C for 10 seconds.
2. Take the decal from the water and put it on a piece of clean cloth.
3. Remove the decal slowly from the paper to the targeted location by a wet finger.
4. Use a piece of dry and soft cloth to press it gently on the decal until it getting dry and no bubble existing.

水贴纸的使用方法:

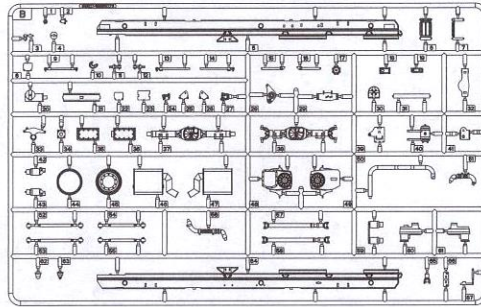
- 一. 把相关的印花从水贴纸上剪下, 放入40°C左右的温水中浸10秒。
- 二. 然后将印花放在干净的布上。
- 三. 拿上印花纸, 手指蘸水将印花移到适当的位置。
- 四. 用软干布轻压印花直至水干, 气泡消失。

部品图 Parts

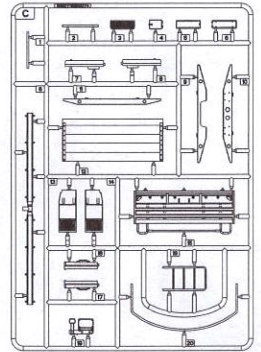
Ax2



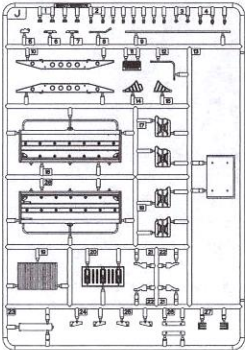
B



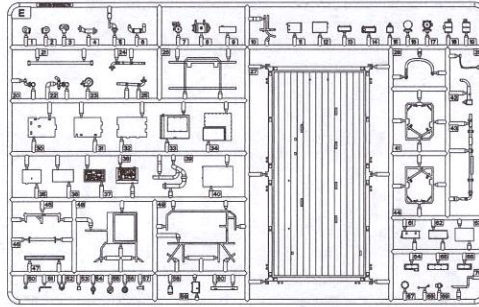
C



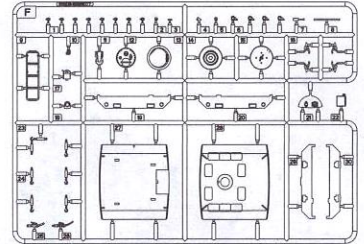
Ix2



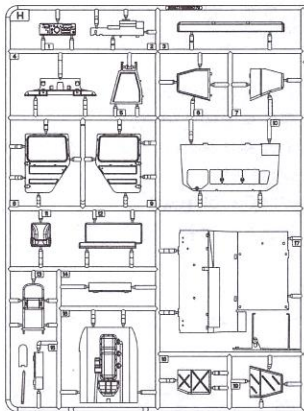
E



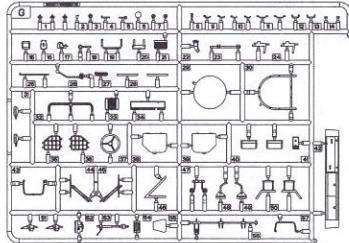
Fx2



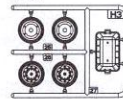
H



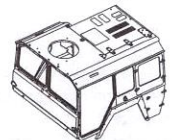
G



H3



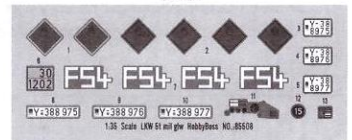
驾驶室
Cab



轮胎x5
Tyre



《水贴》
Decal



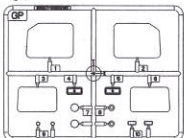
软管x1
Vinyl tubing



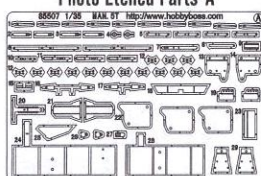
铁链x1
Chain



GP



《蚀刻片》
Photo Etched Parts-A



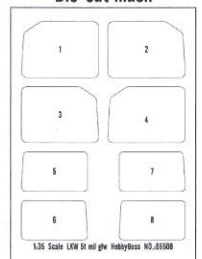
《蚀刻片》
Photo Etched Parts-B



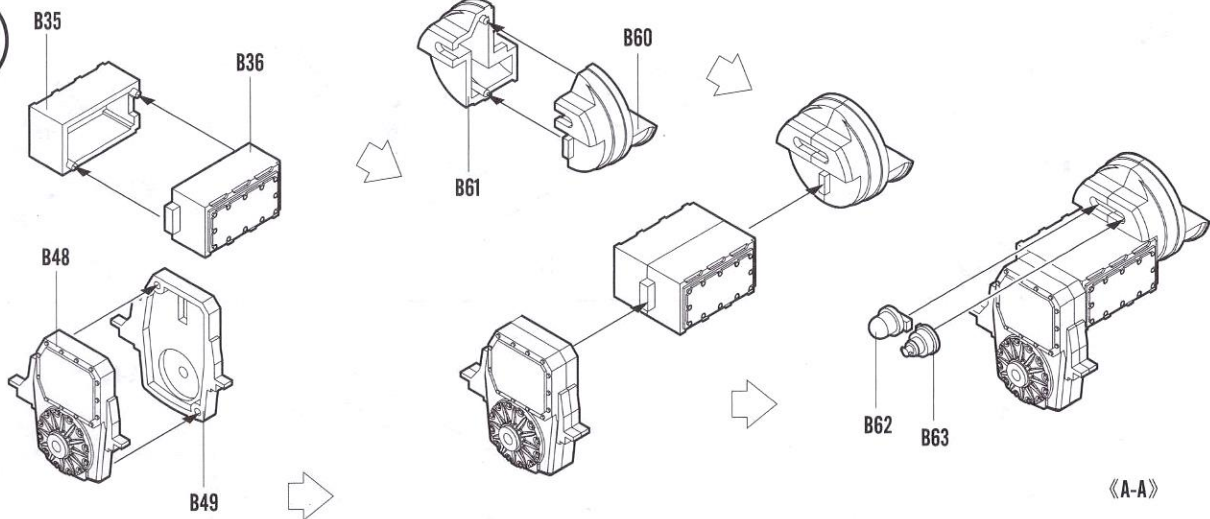
《蚀刻片》
Photo Etched Parts-C



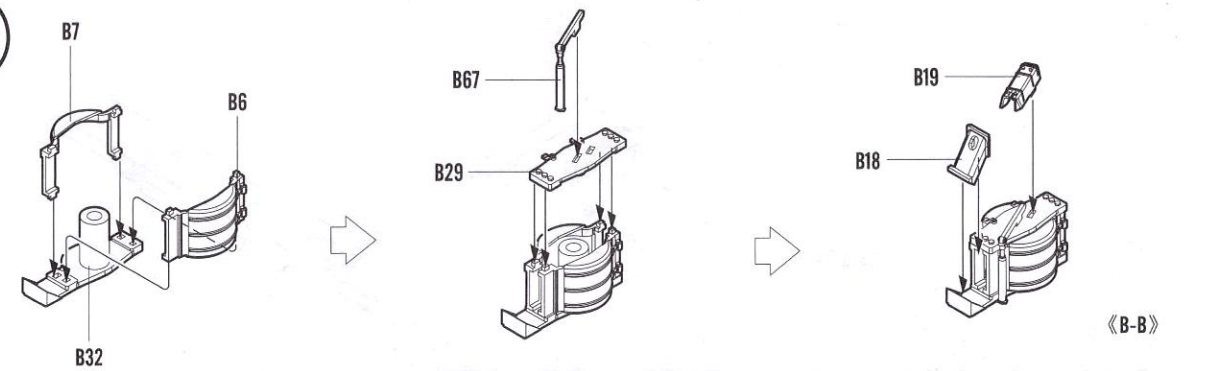
《遮盖纸》
Die-cut mask



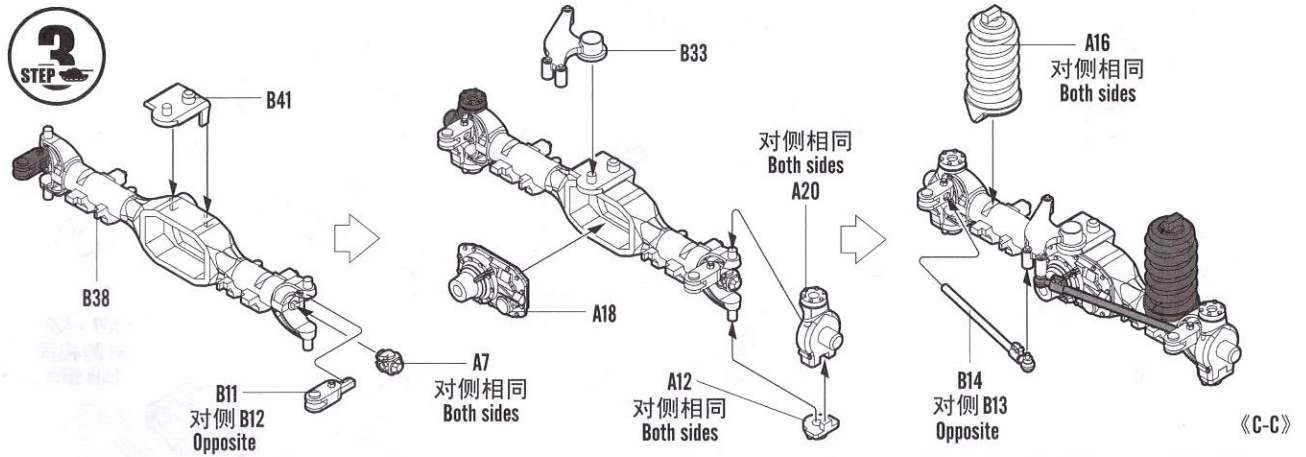
1
STEP



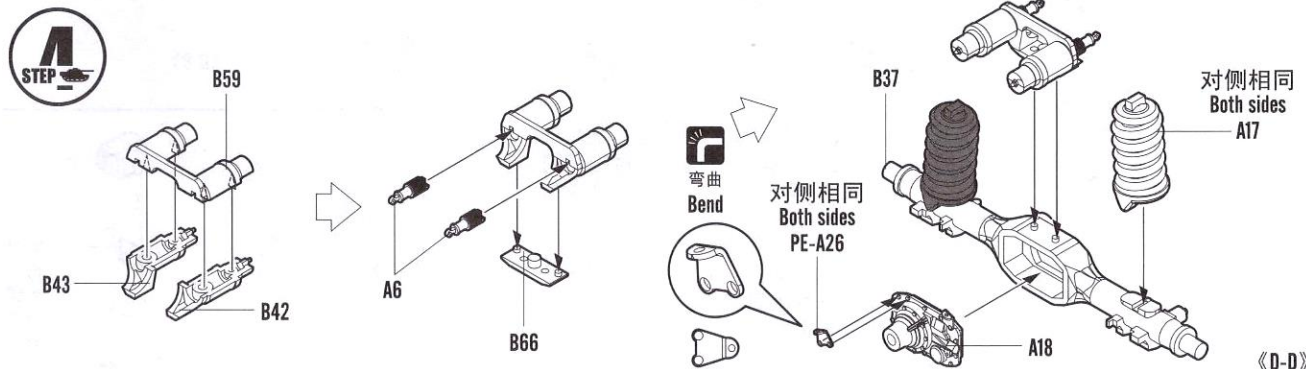
2
STEP



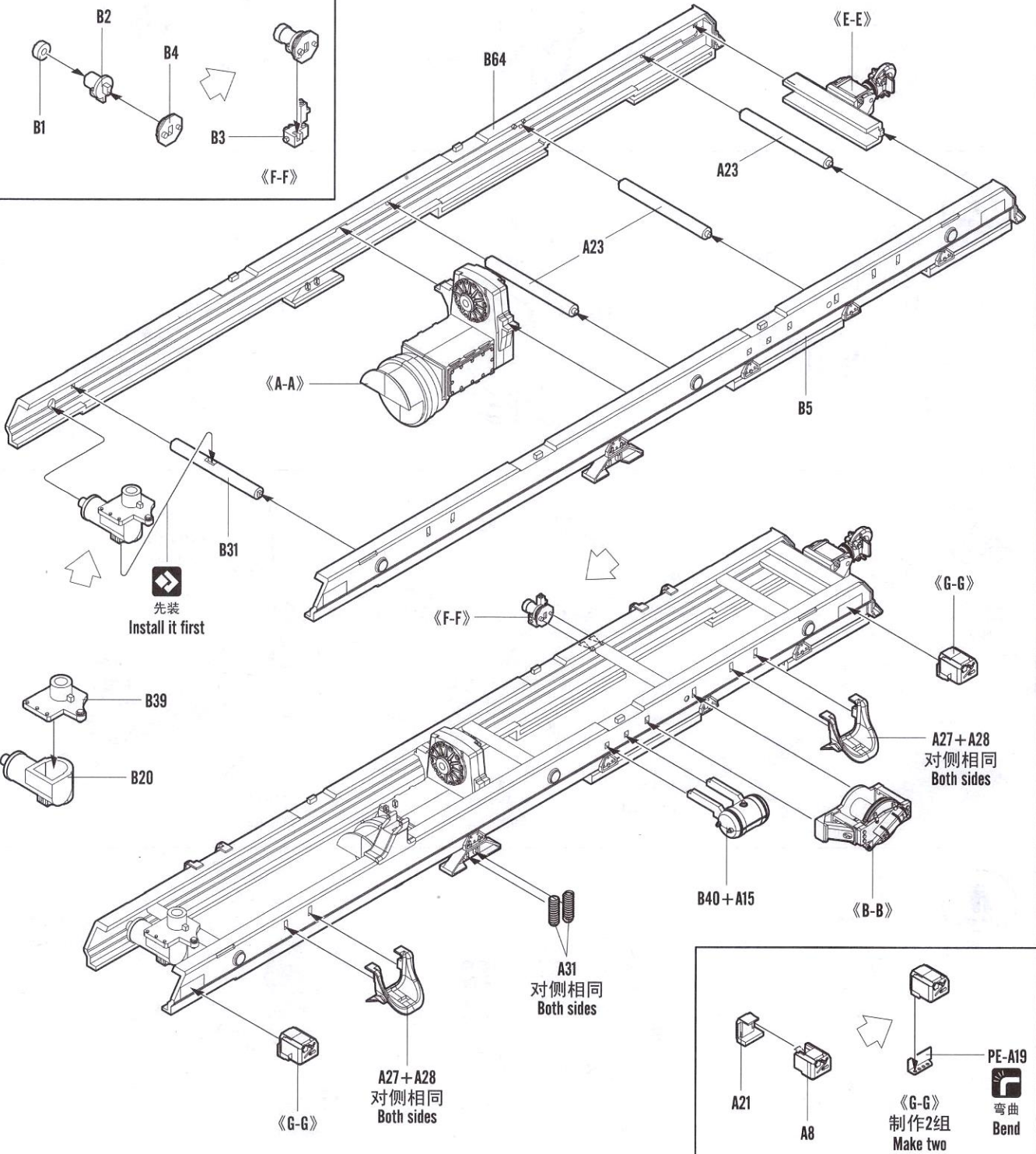
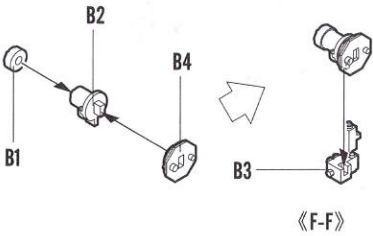
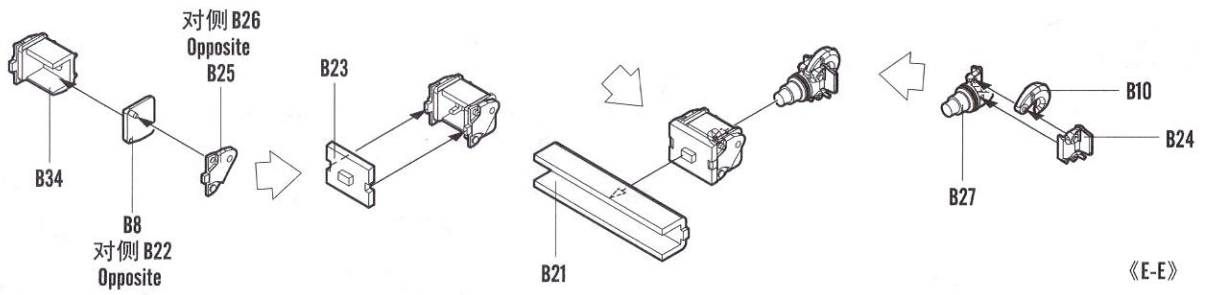
3
STEP

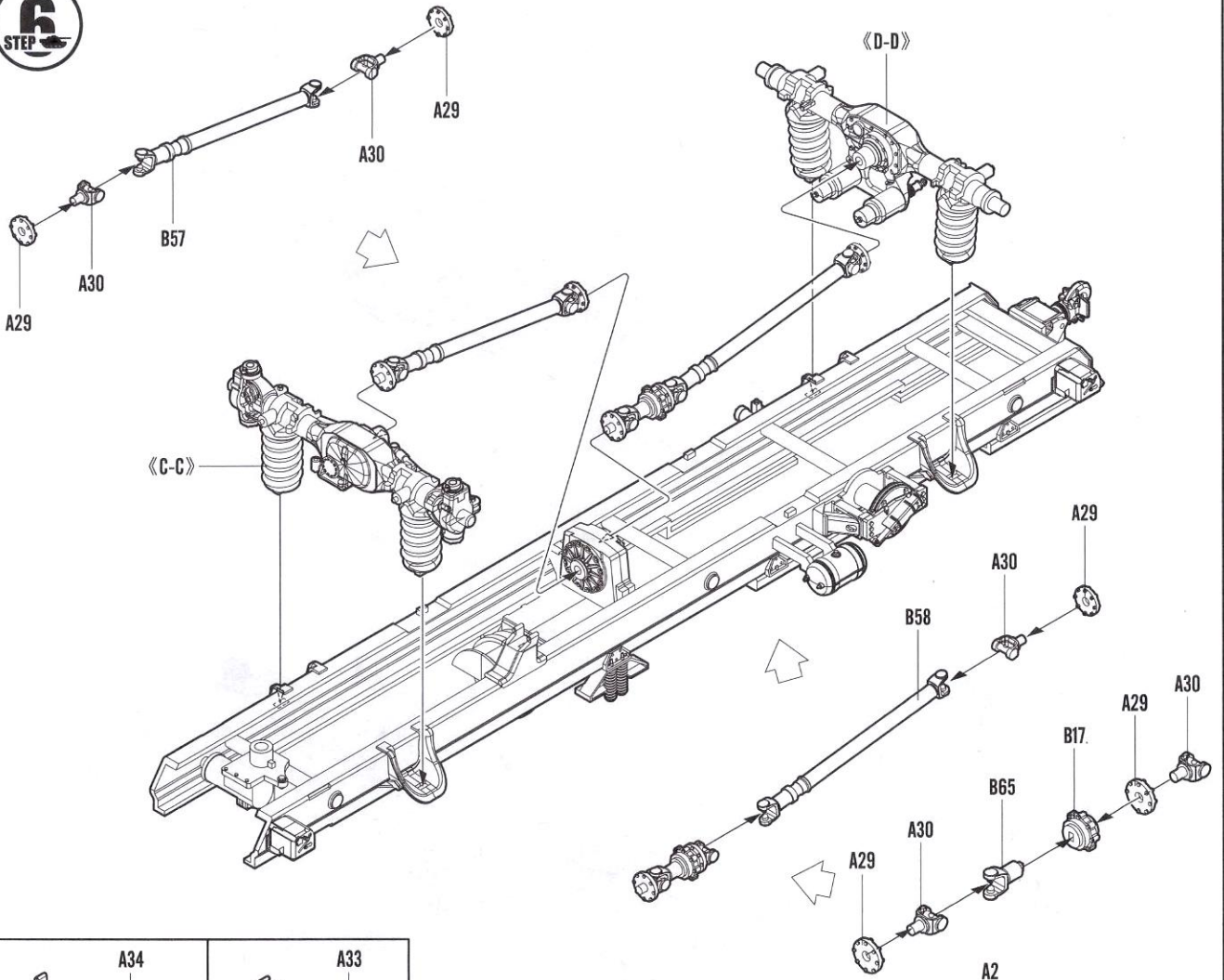


4
STEP

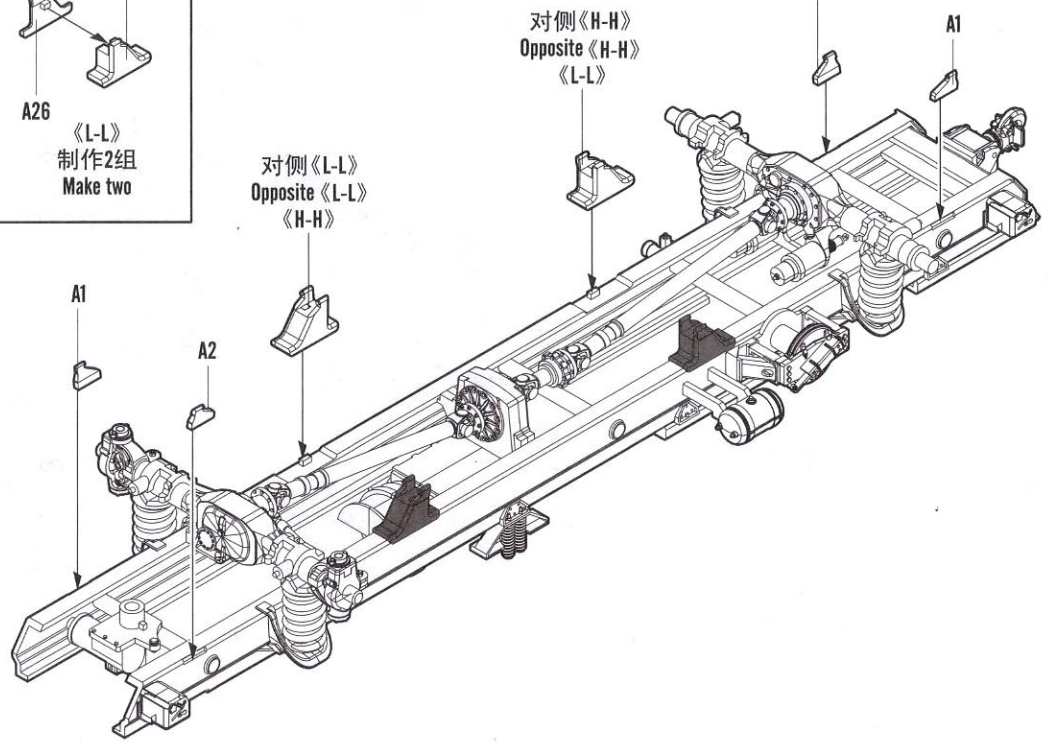


5
STEP

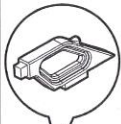
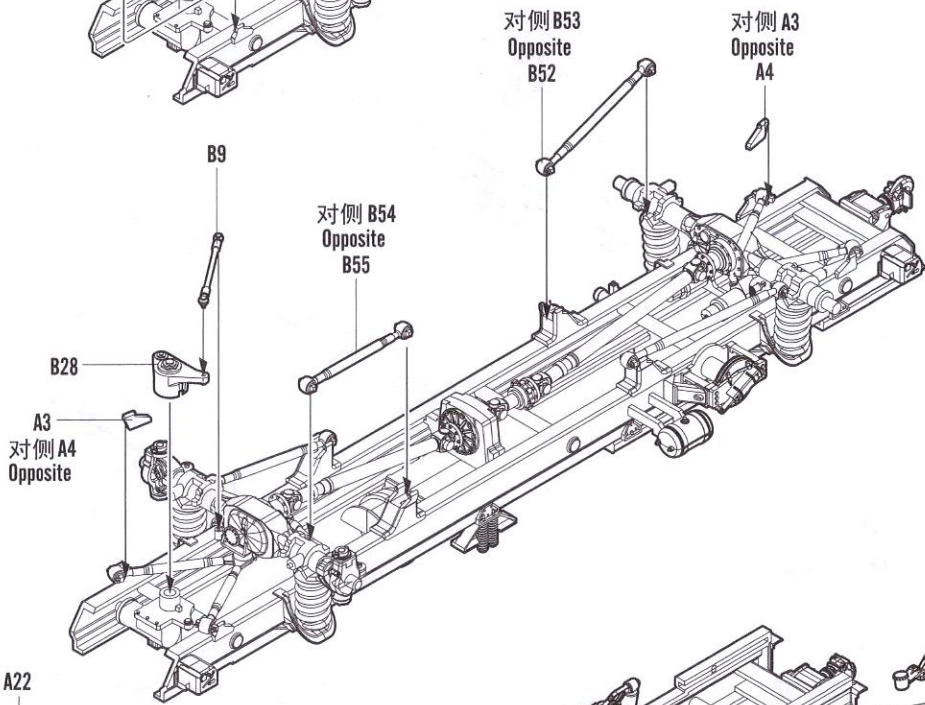
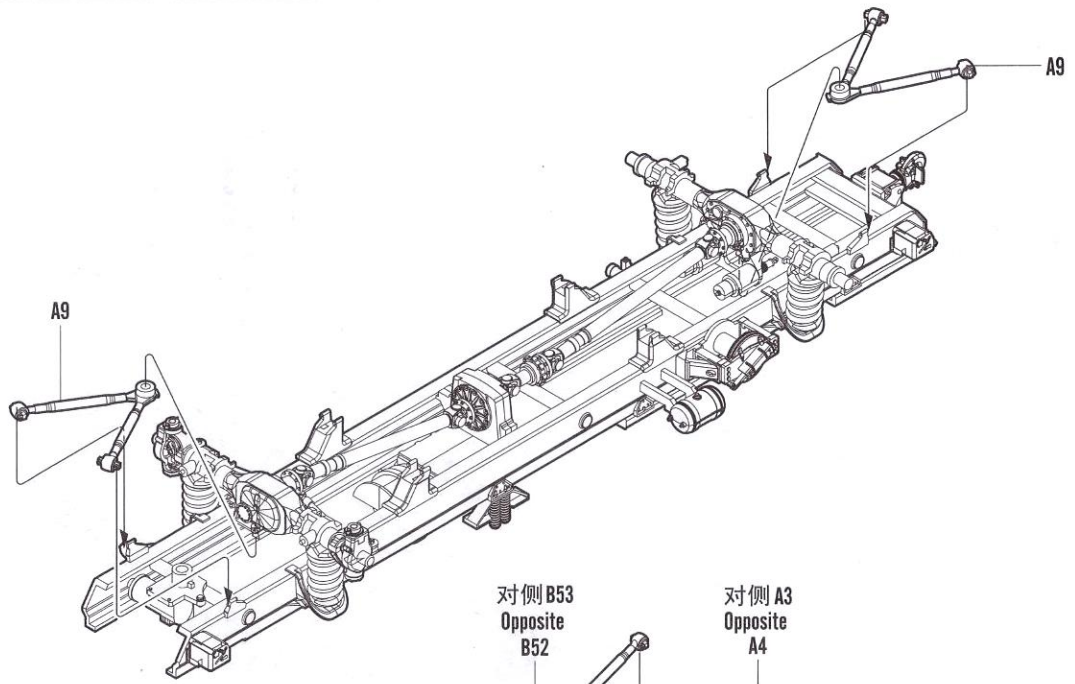




<p>A25 A34</p> <p>《H-H》 制作2组 Make two</p>	<p>A26 A33</p> <p>《L-L》 制作2组 Make two</p>
--	--



7
STEP



A10

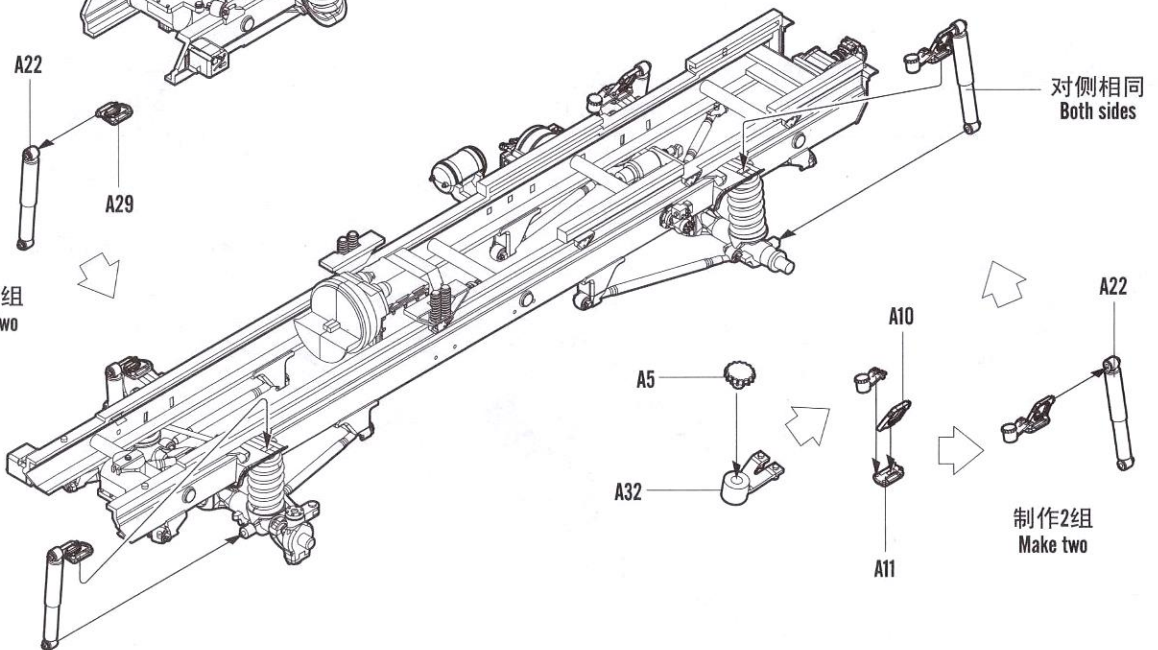
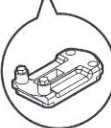
A22

A29

A29

A11

制作2组
Make two



对侧相同
Both sides

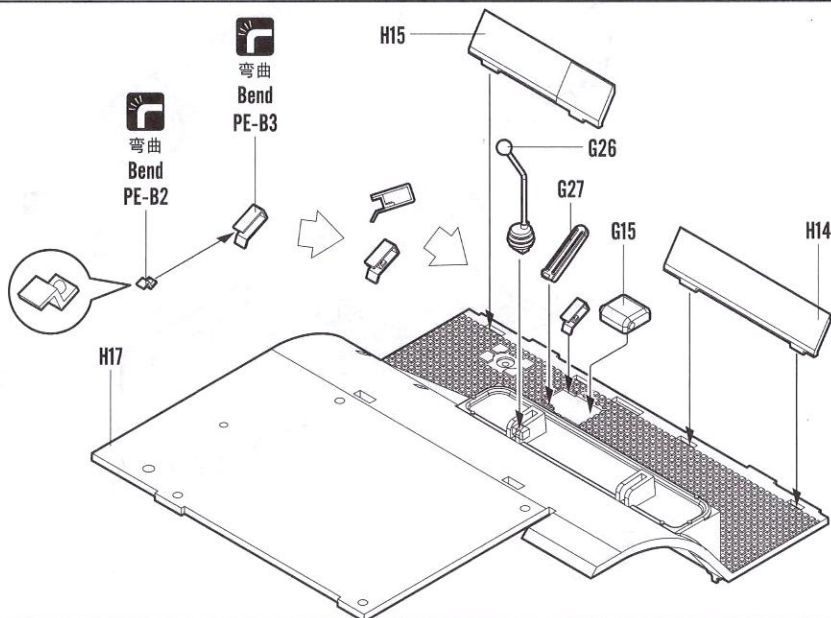
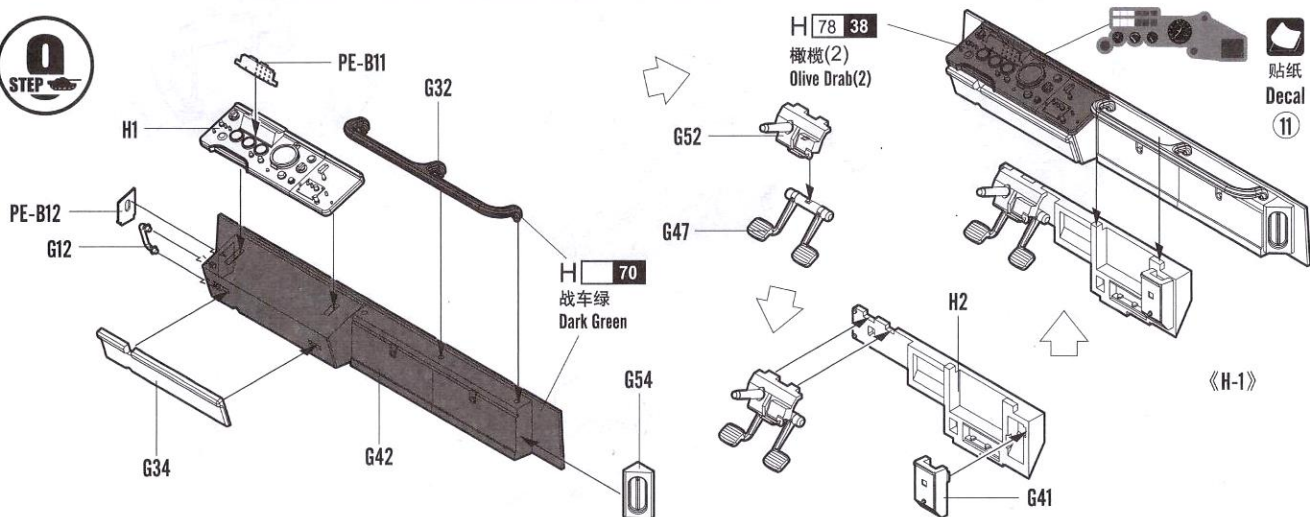
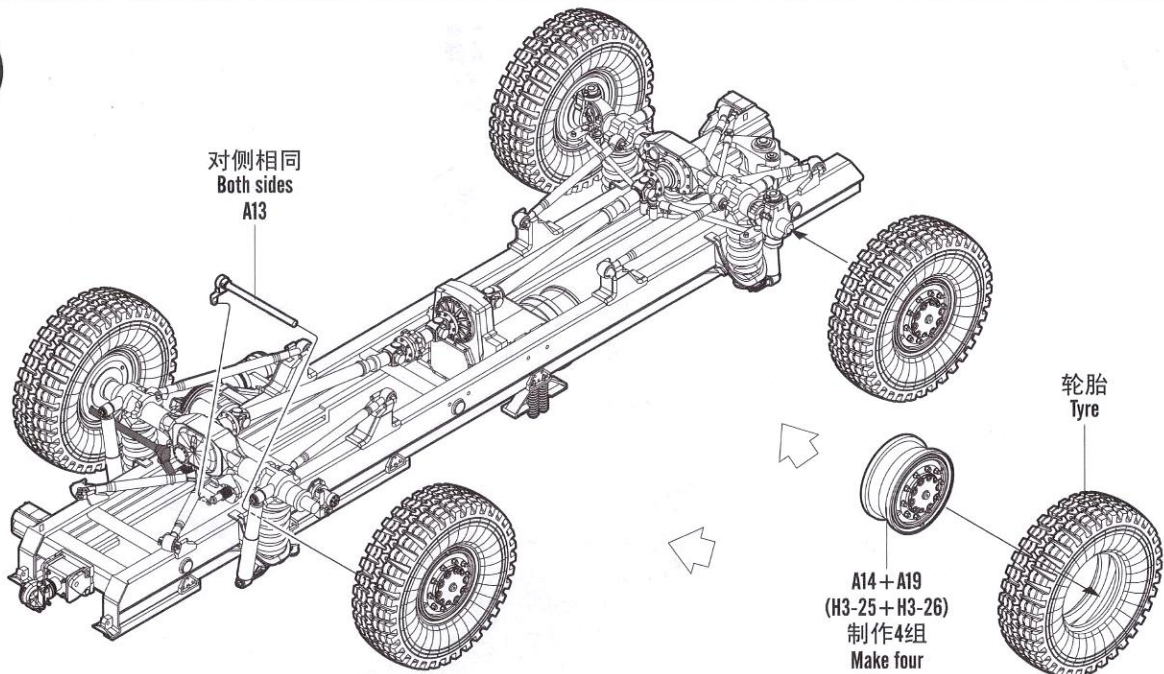
A5

A32

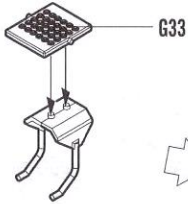
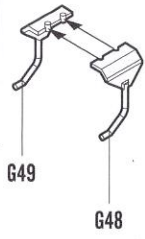
A10

A22

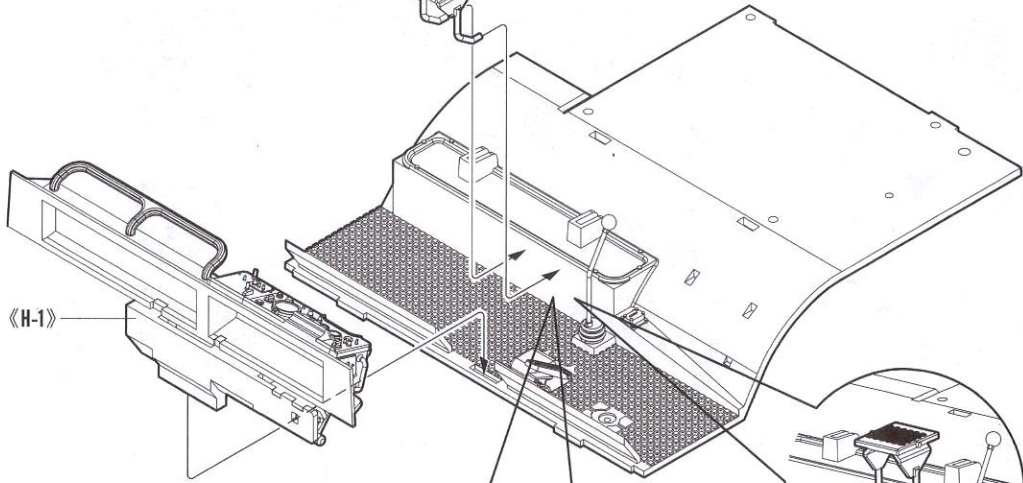
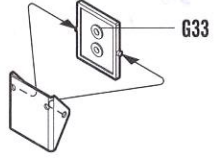
制作2组
Make two



10
STEP



?
选择
Option

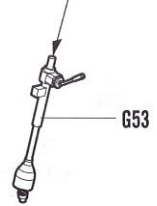
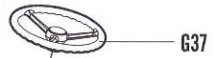
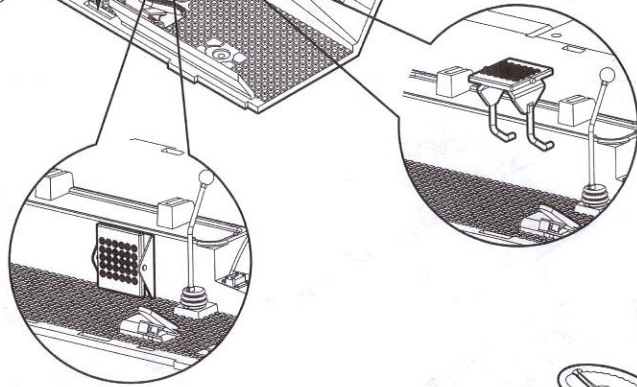


《H-1》



G24

H 81 55
卡其色
Khaki



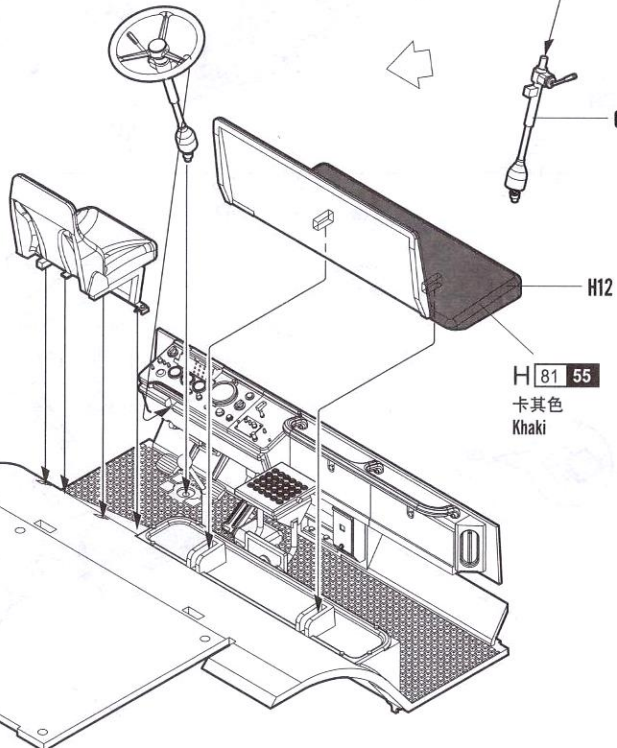
PE-B4



PE-B9
弯曲
Bend



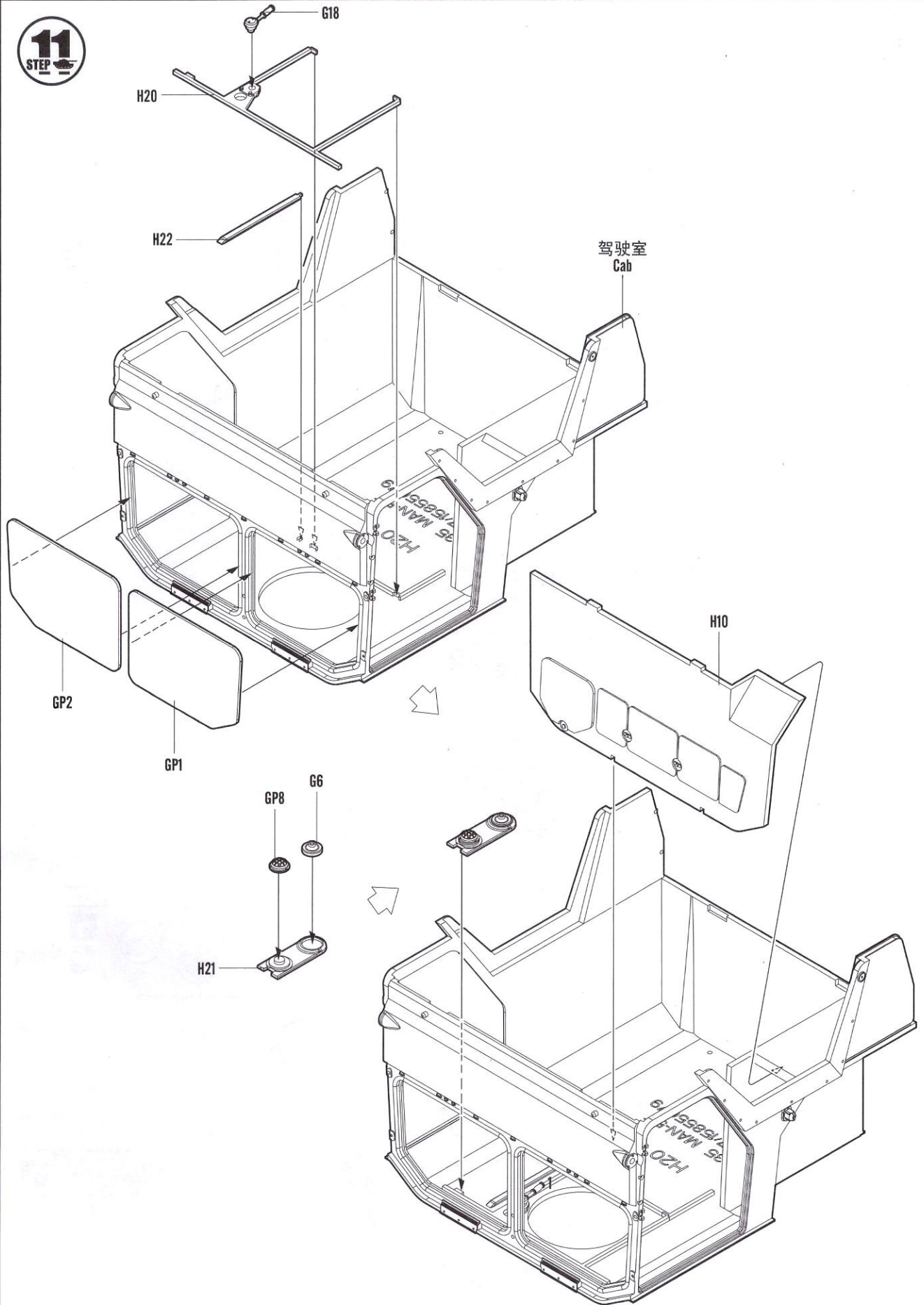
PE-B7
弯曲
Bend

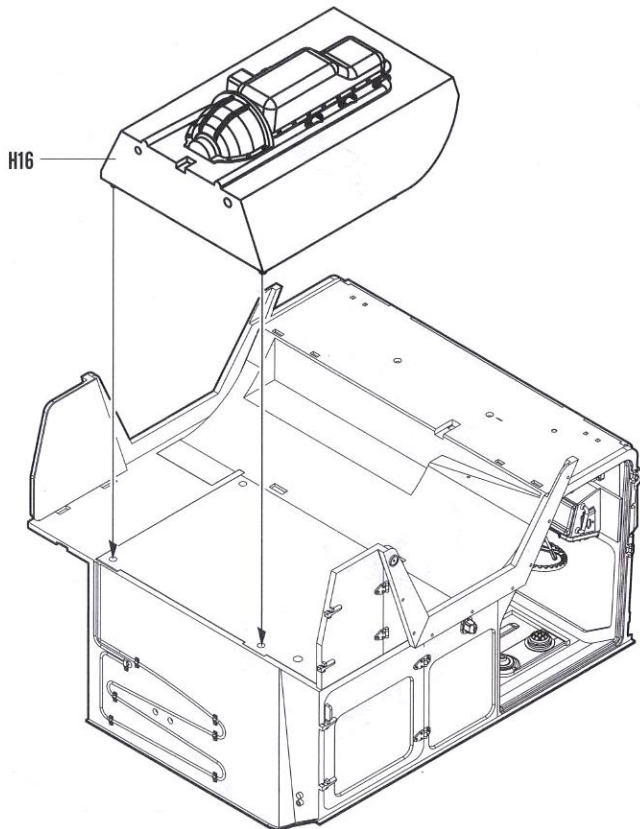
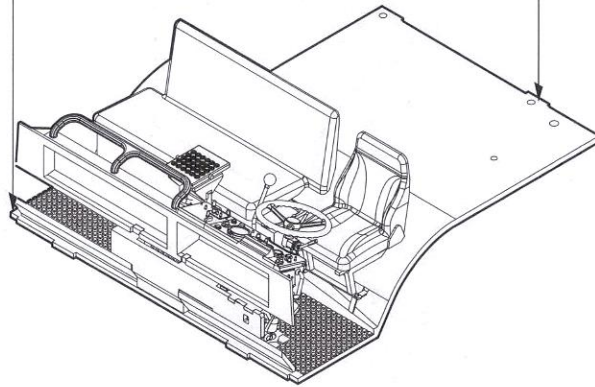
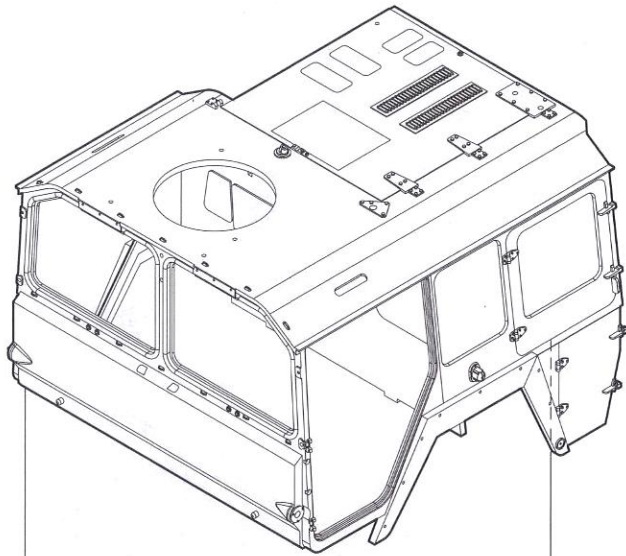


H12

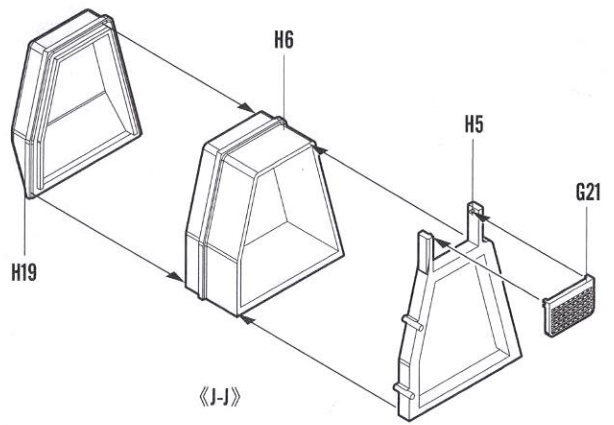
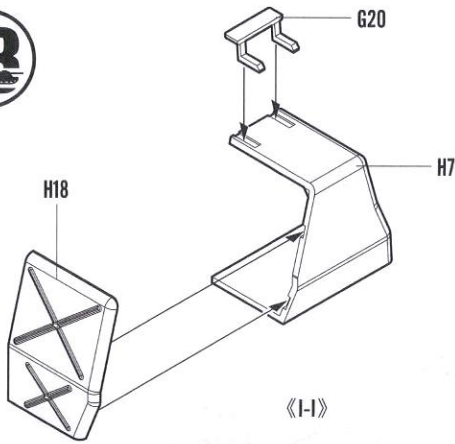
H 81 55
卡其色
Khaki

11
STEP

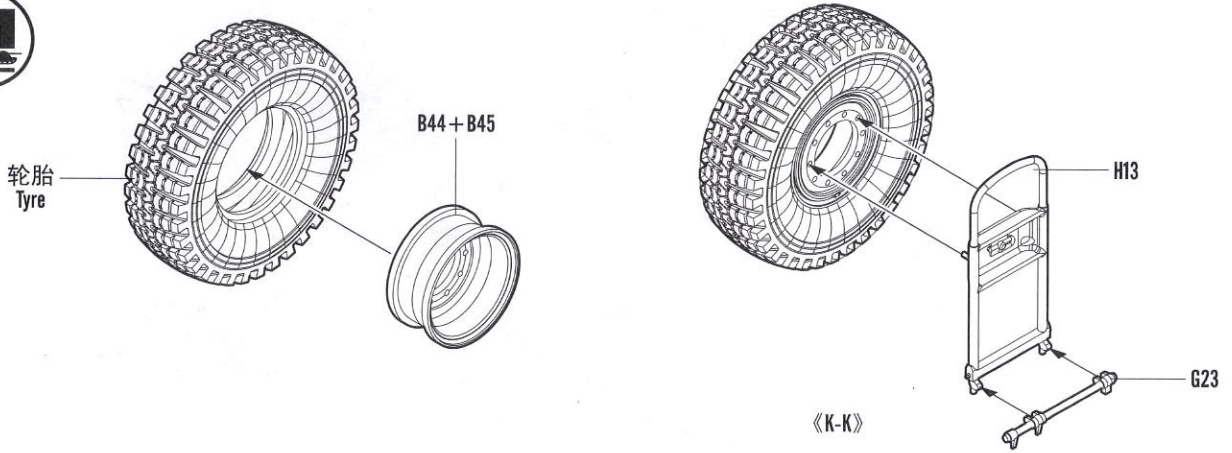




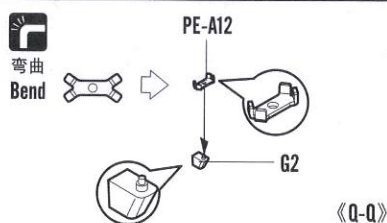
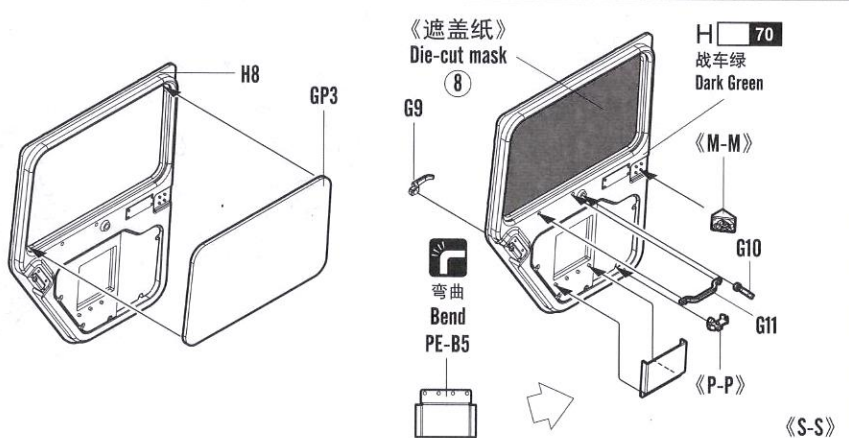
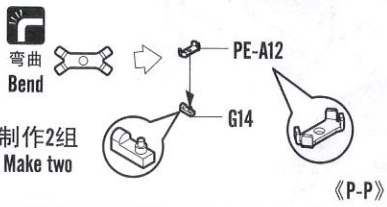
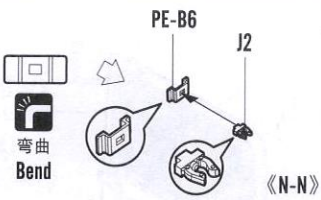
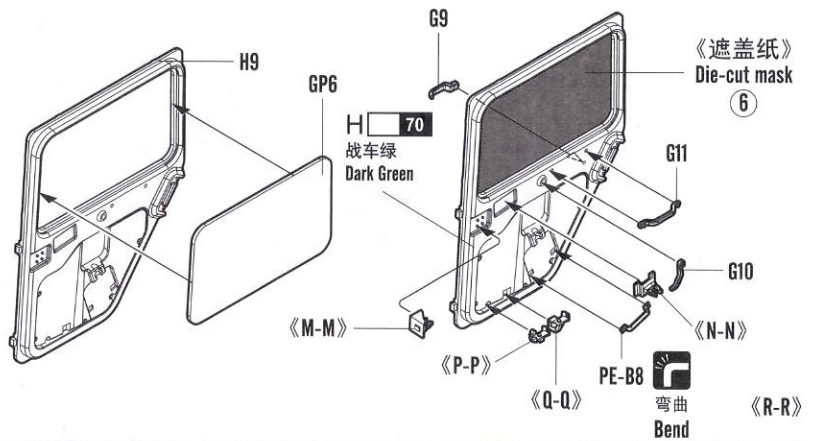
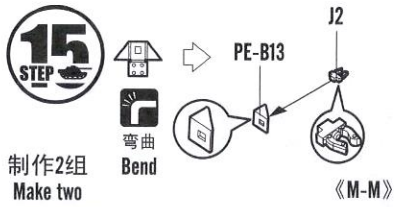
13
STEP



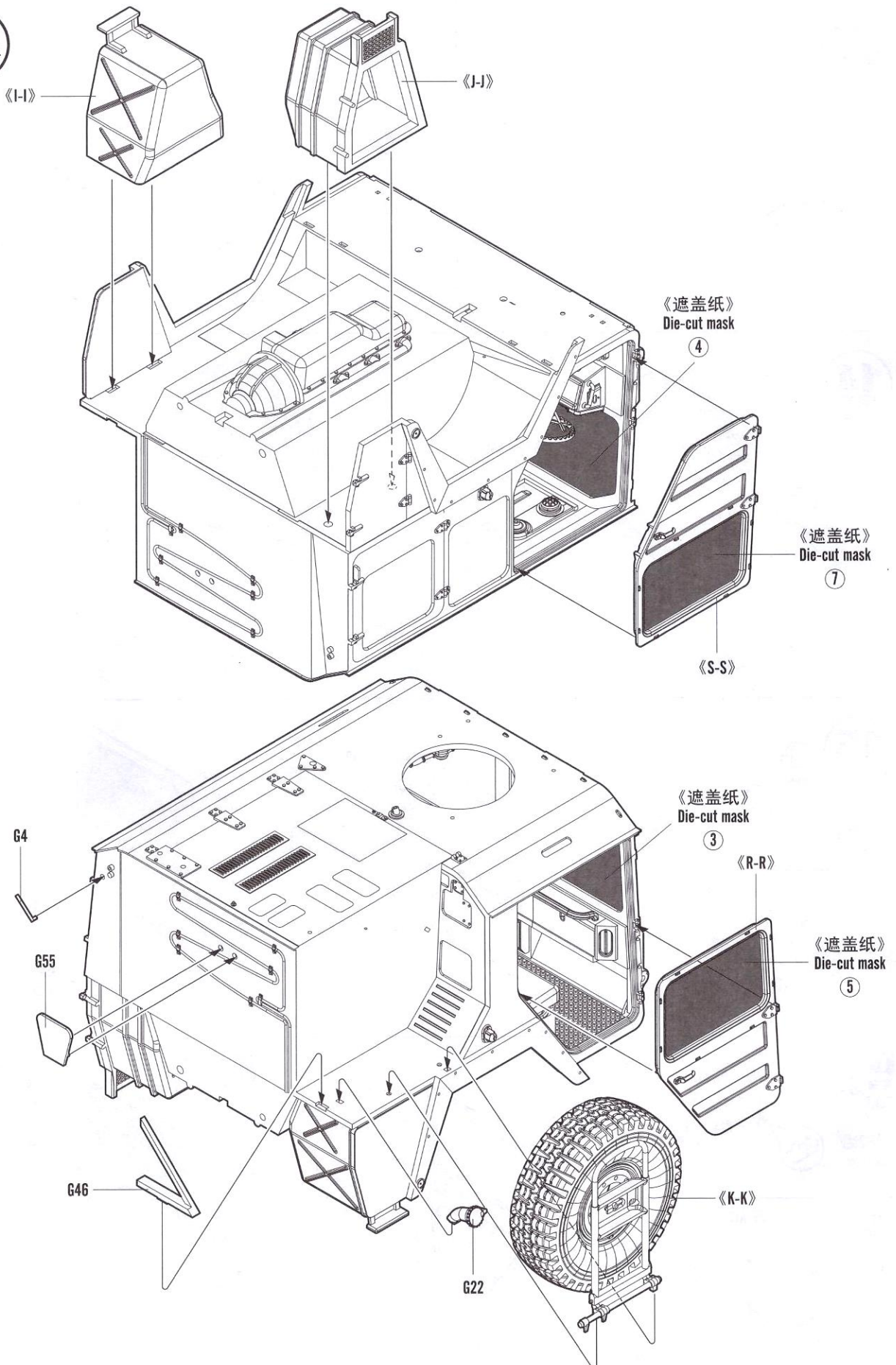
14
STEP



15
STEP



16
STEP



G29

G5

PE-B10



弯曲
Bend

G13

H3

对侧相同
Both sides
G40

G25

G7
对侧相同
Both sides

G56

PE-B14



弯曲
Bend

G30

GP4

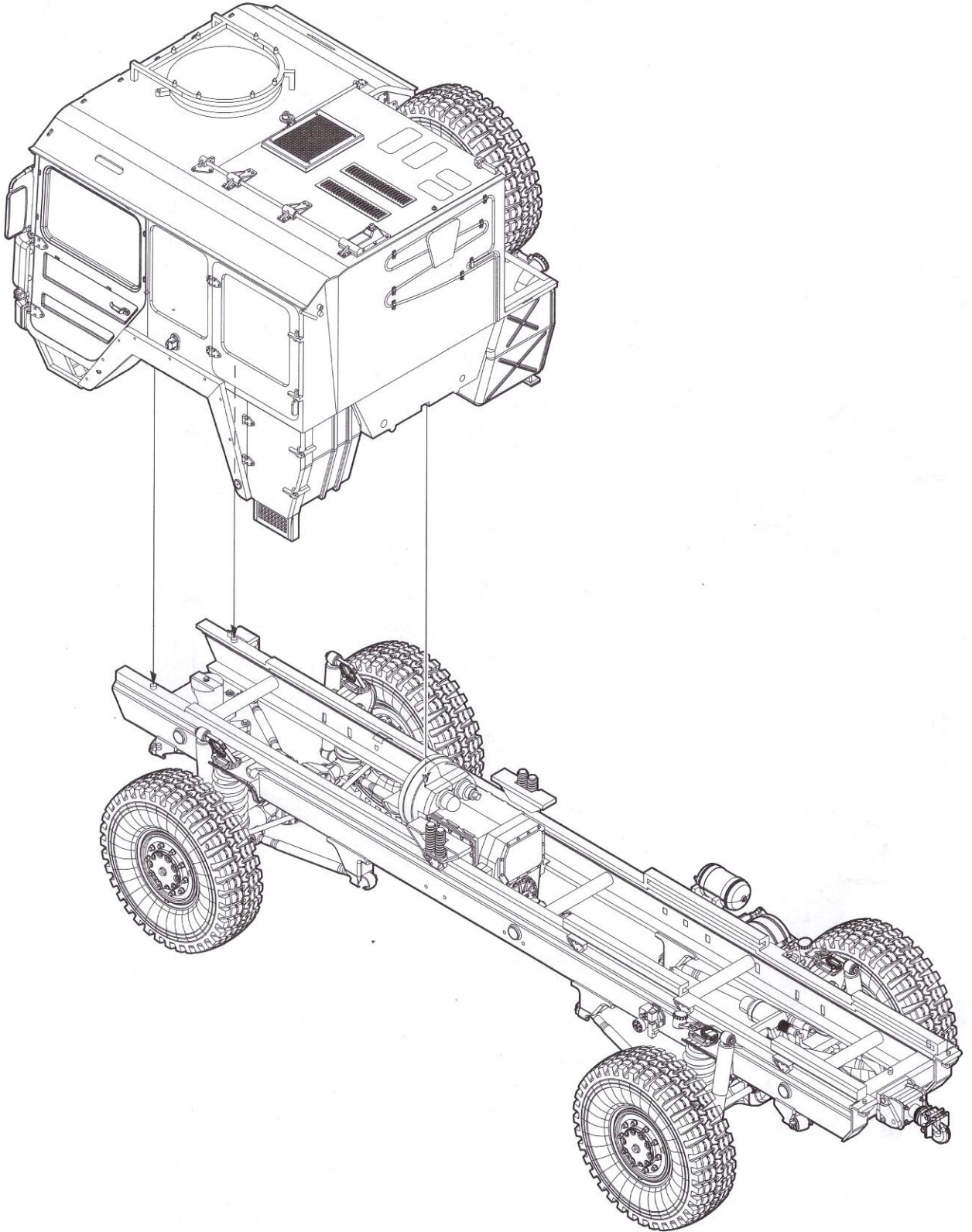
G43

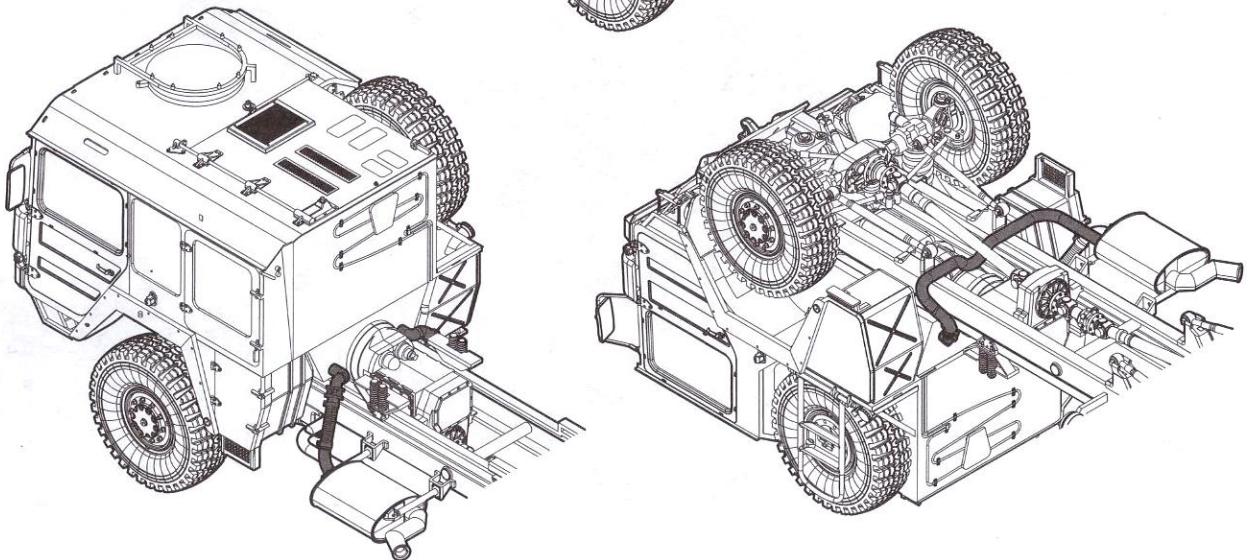
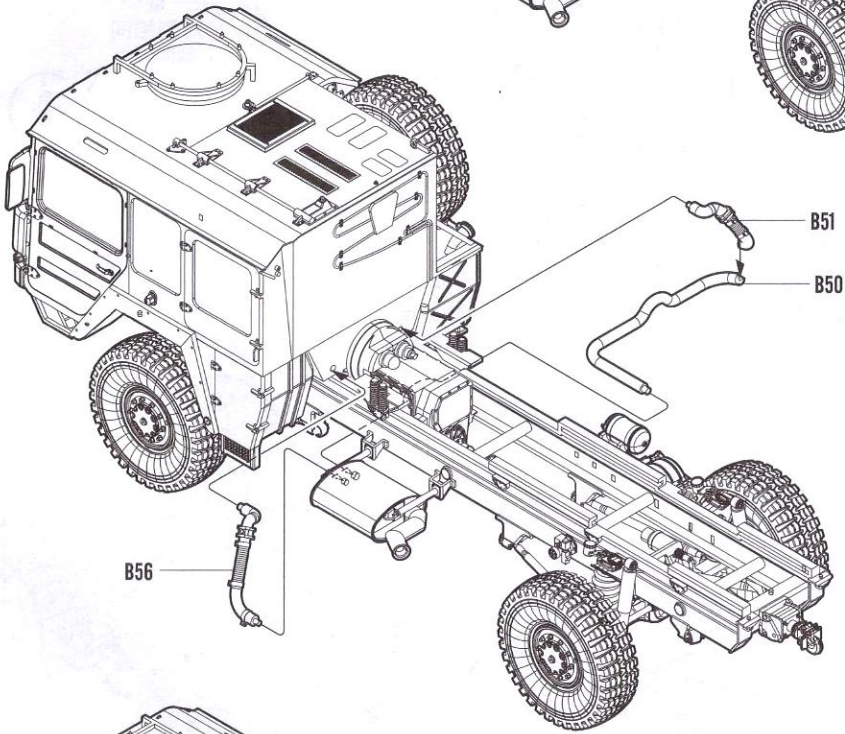
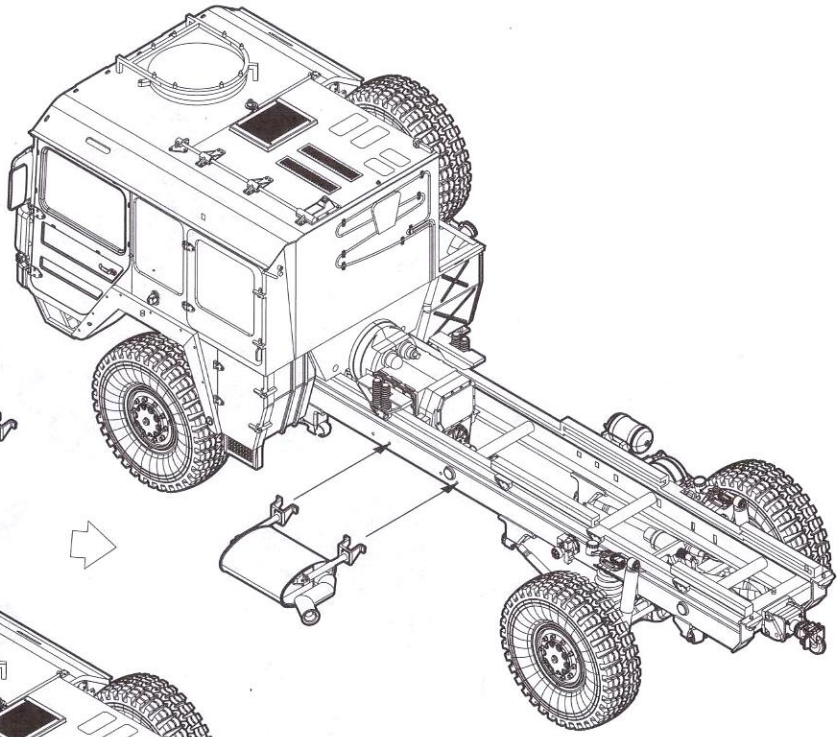
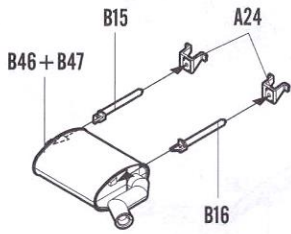
G45

G44

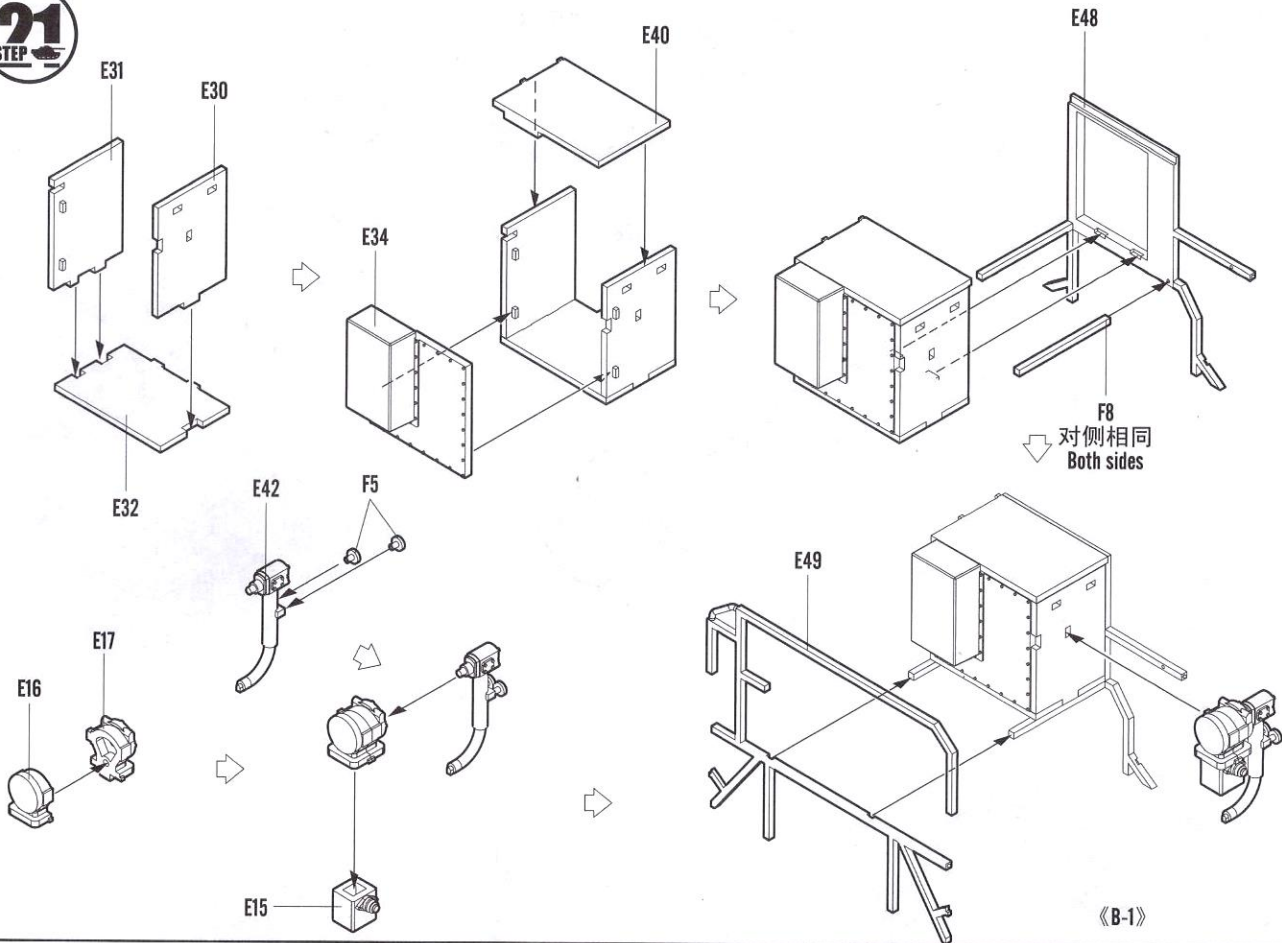
GP5

G57

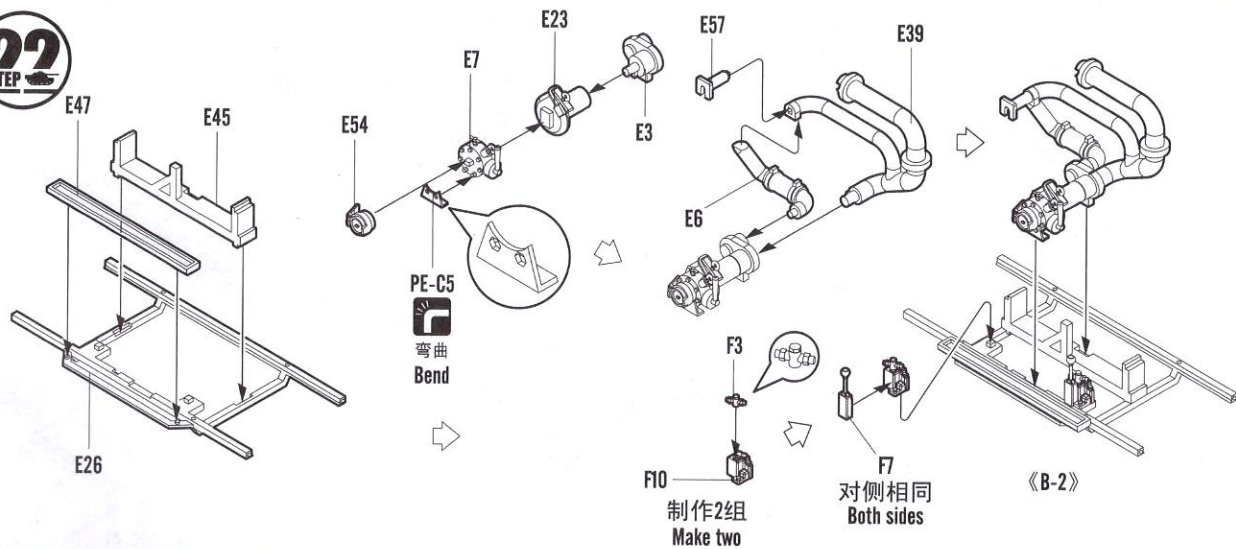




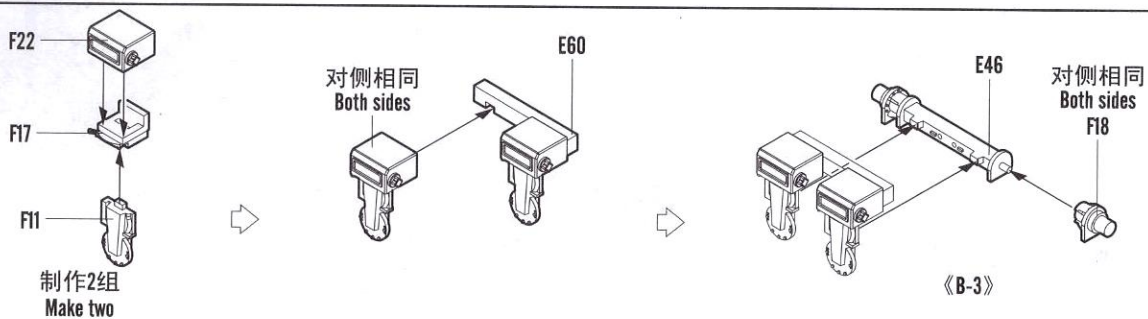
21
STEP



22
STEP

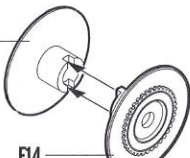


23
STEP



2A
STEP

F15



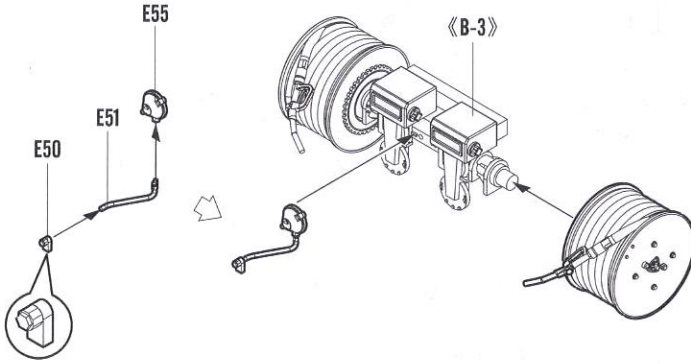
F14
制作2组
Make two

软管x750mm
Vinyl tubing

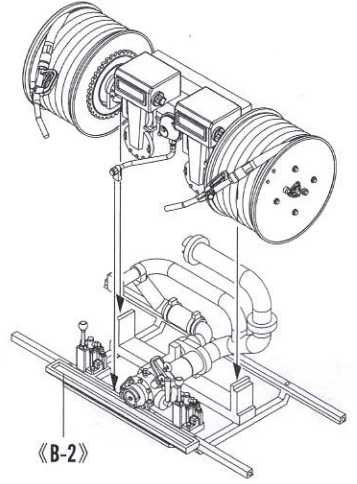


F26

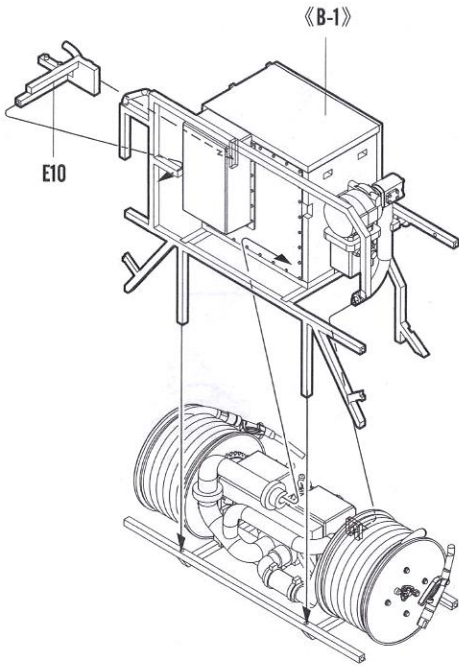
F26



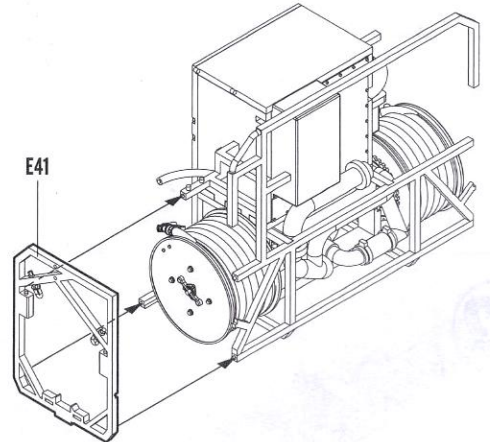
《B-3》



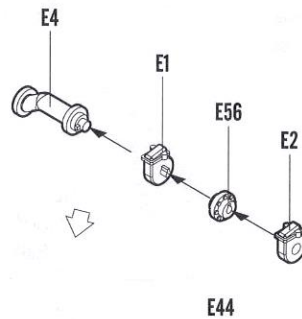
《B-2》



《B-1》



E41

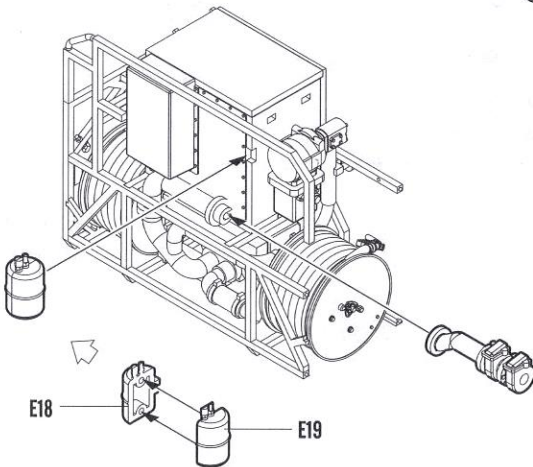


E4

E1

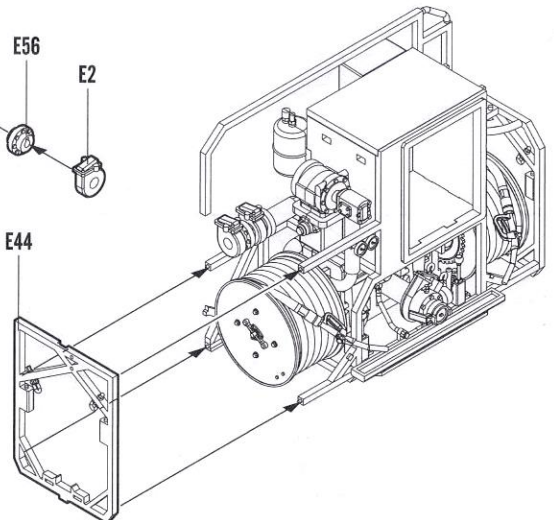
E56

E2



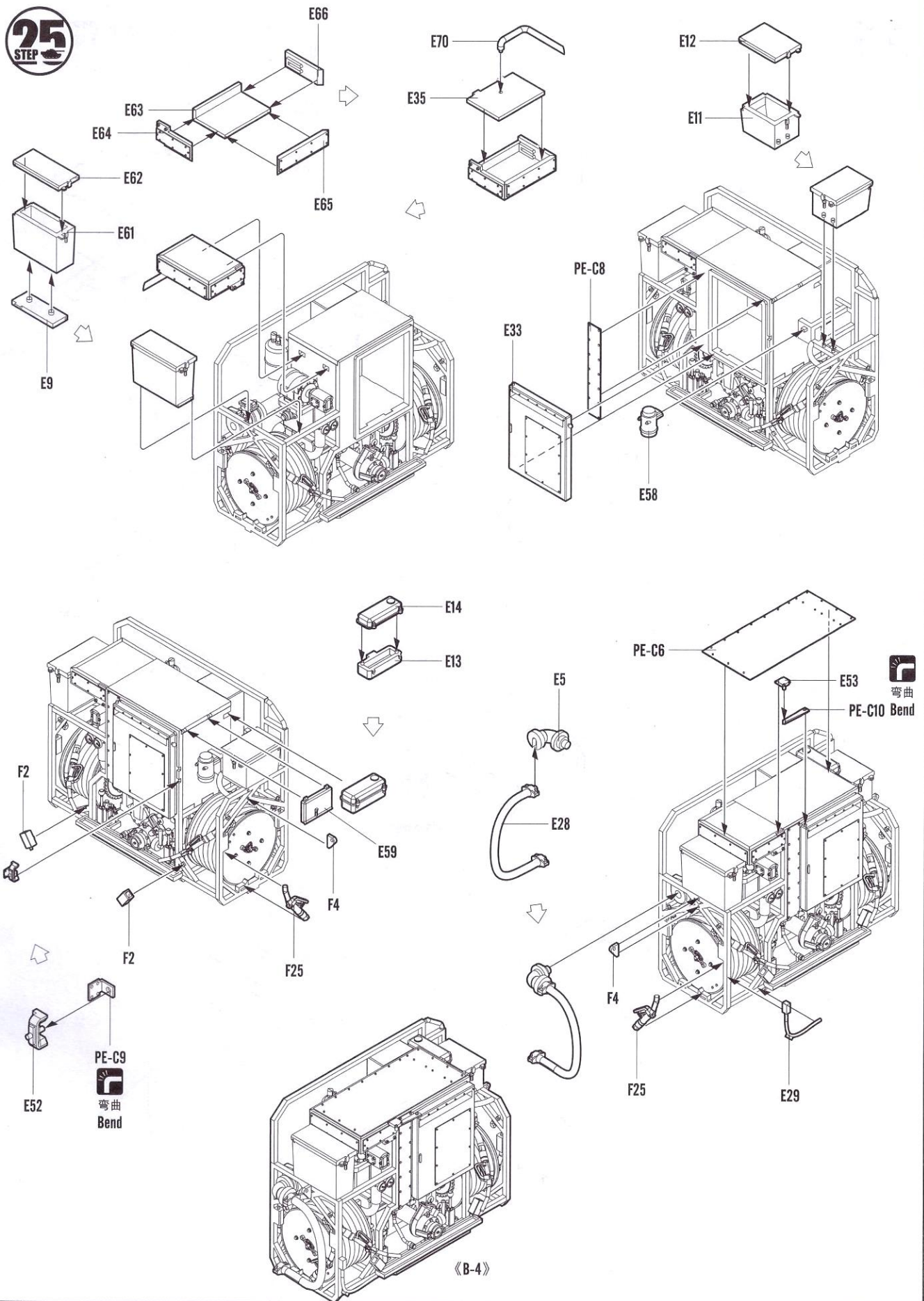
E18

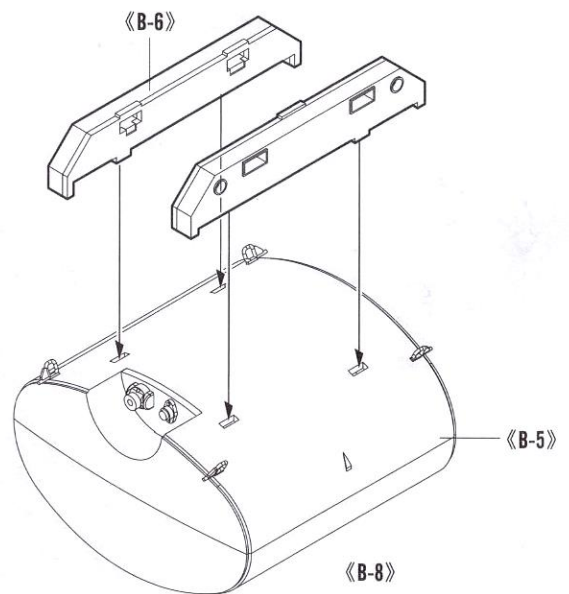
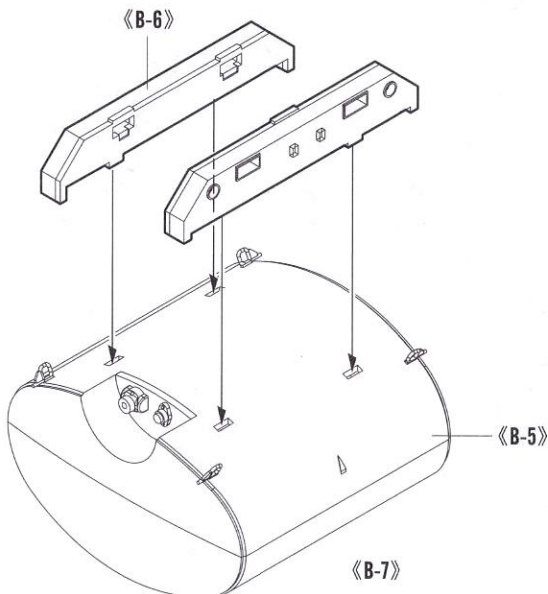
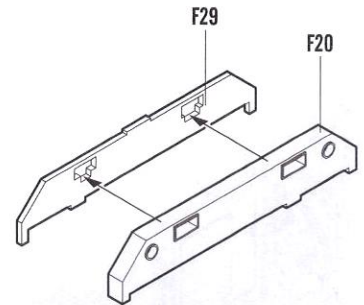
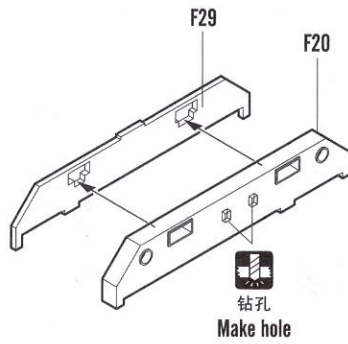
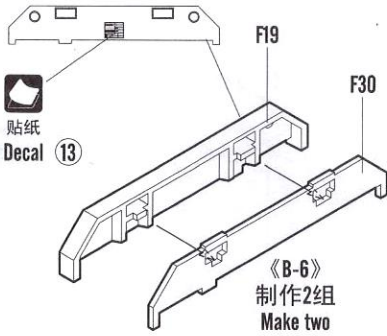
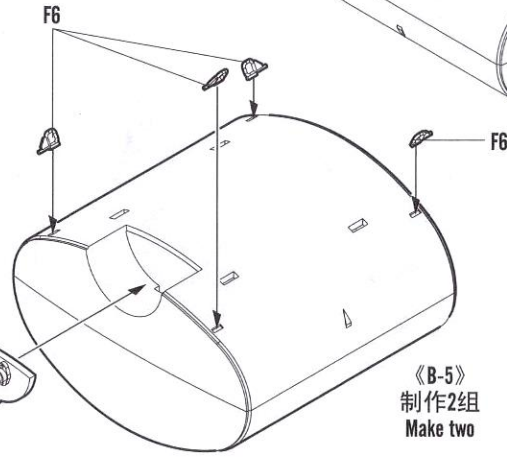
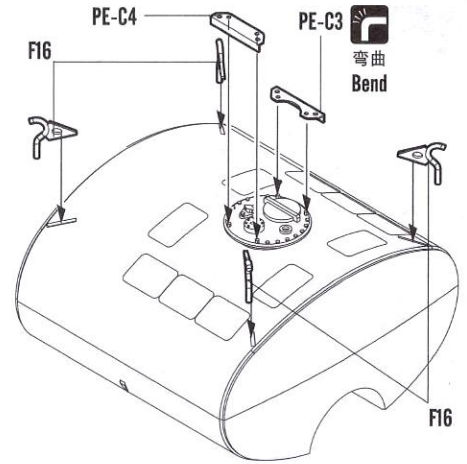
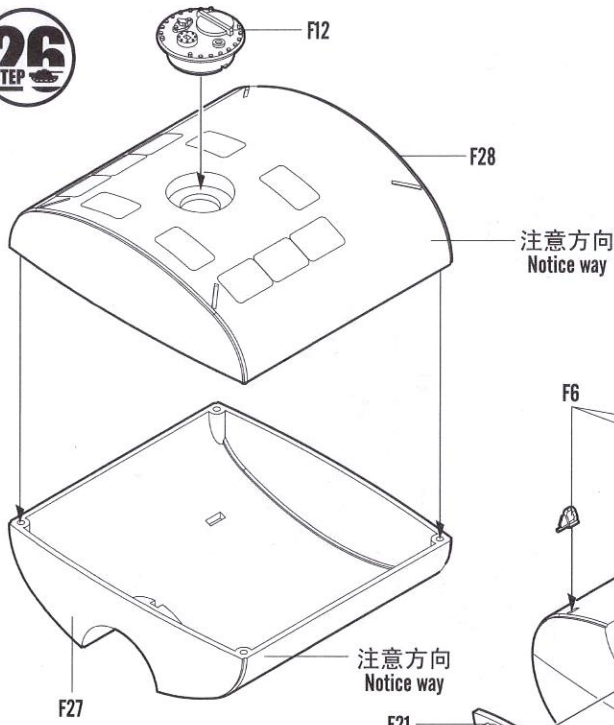
E19



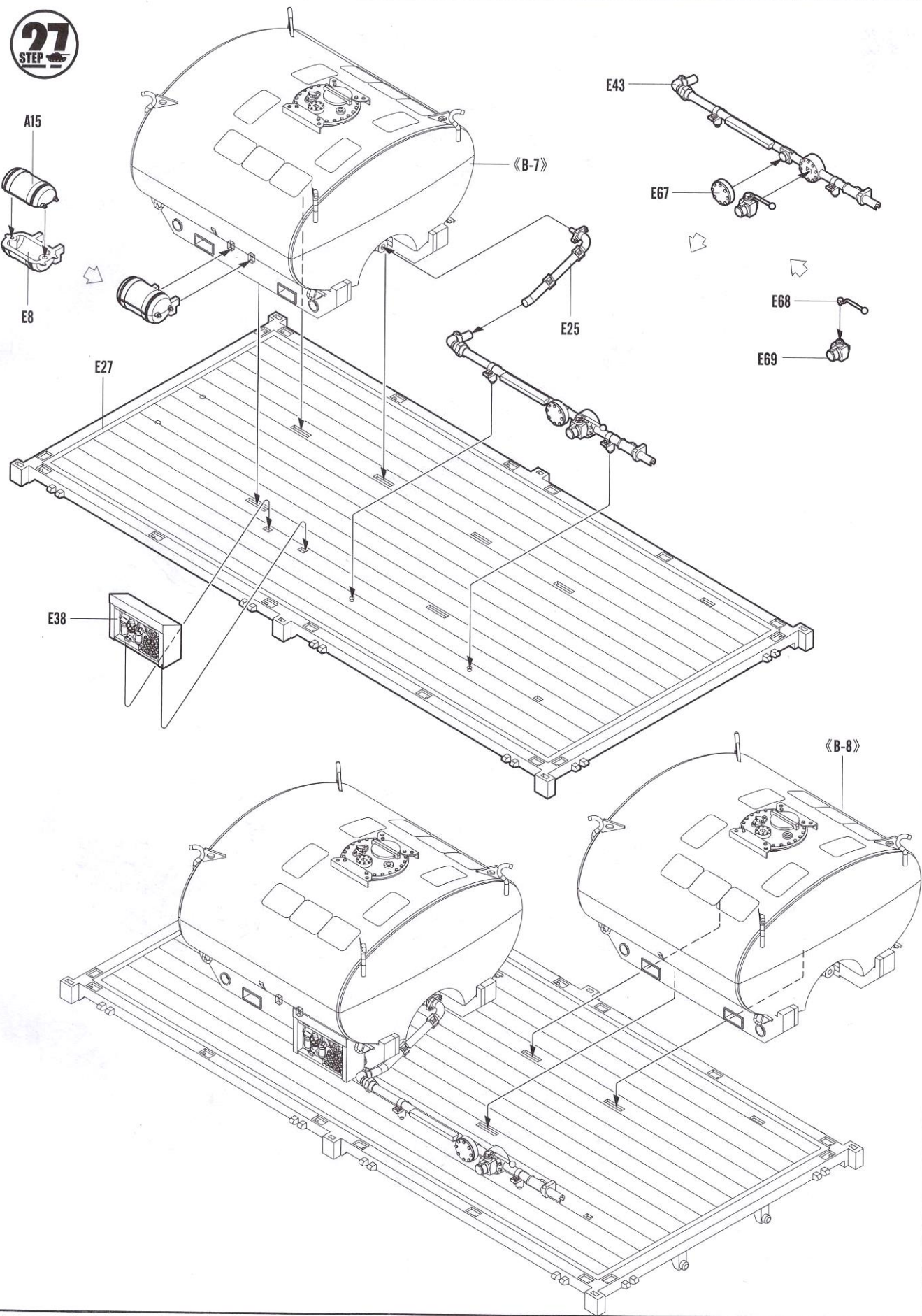
E44

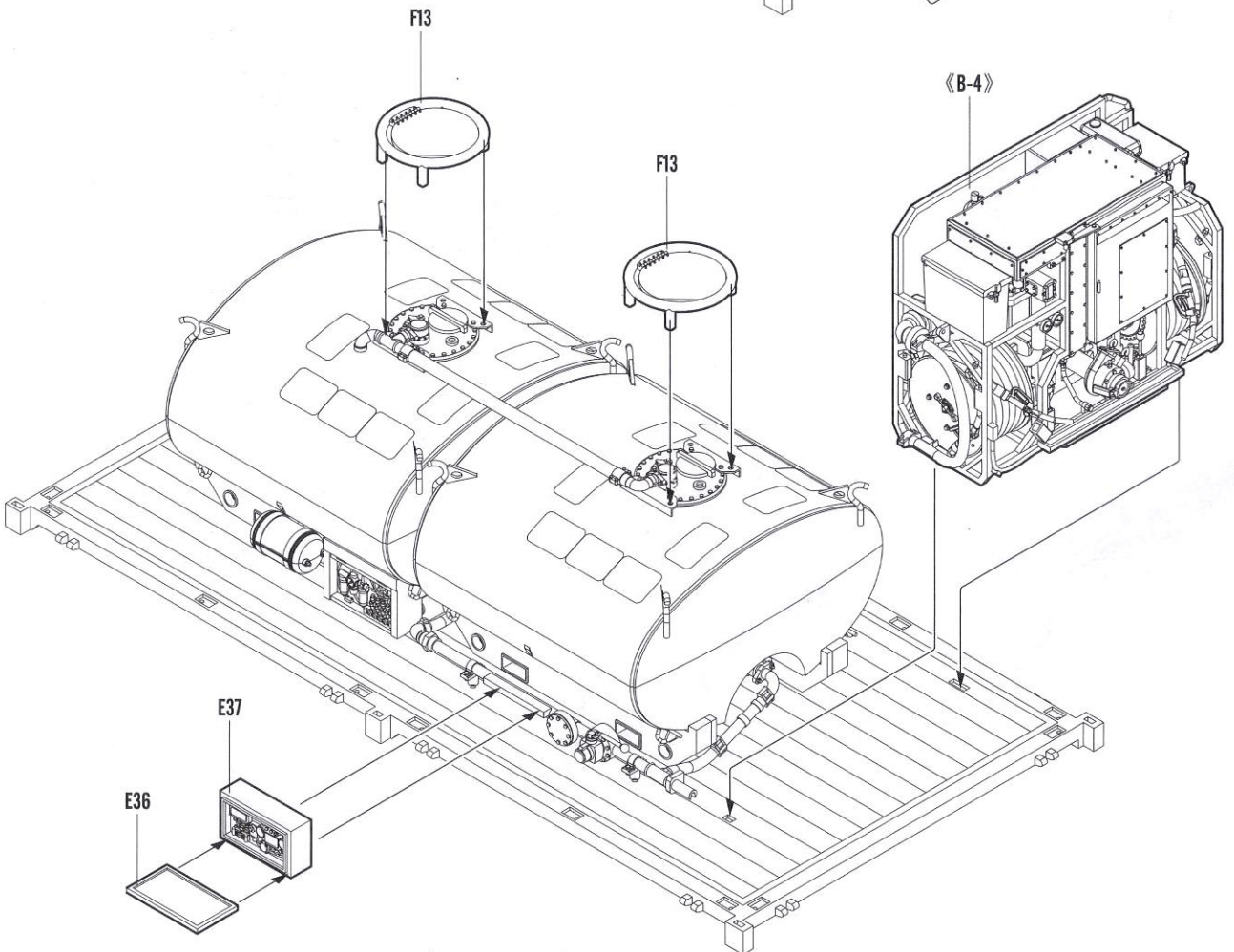
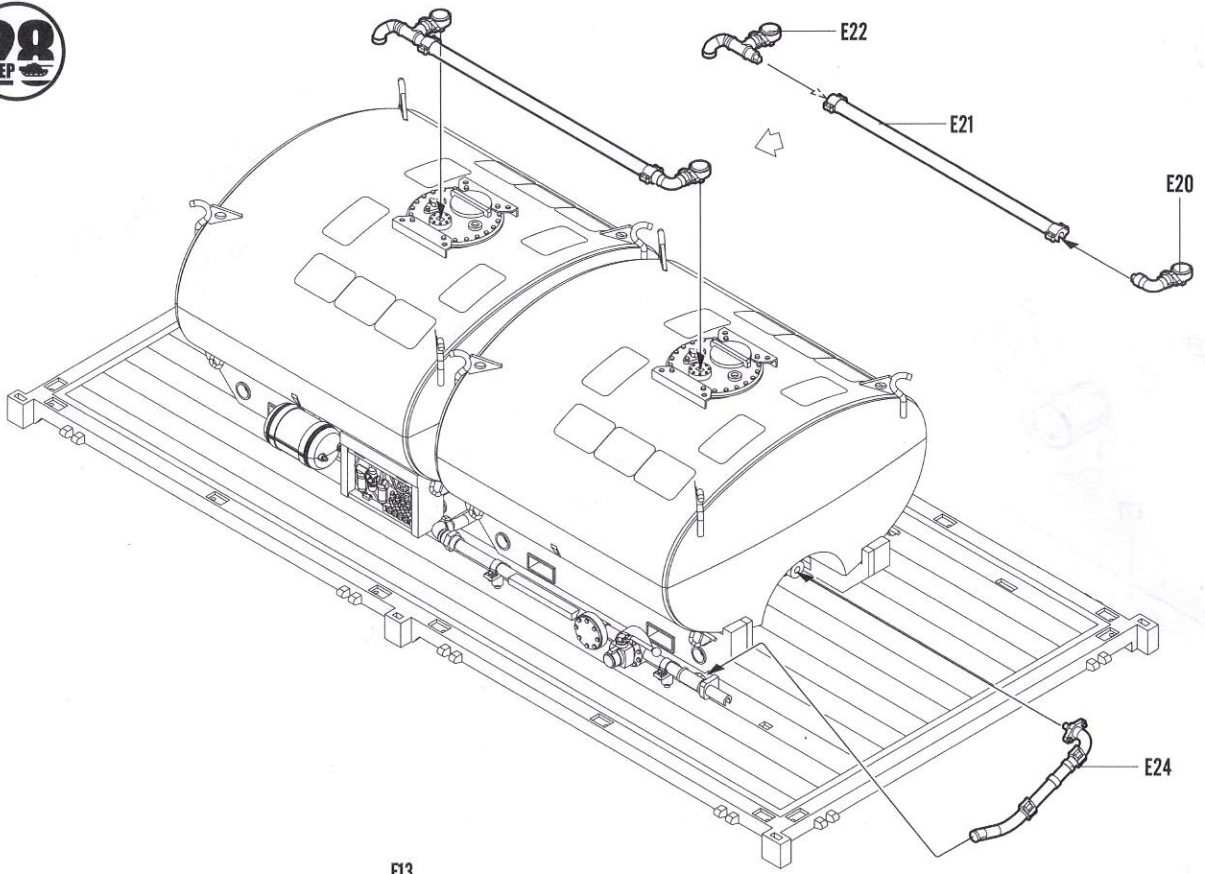
25
STEP

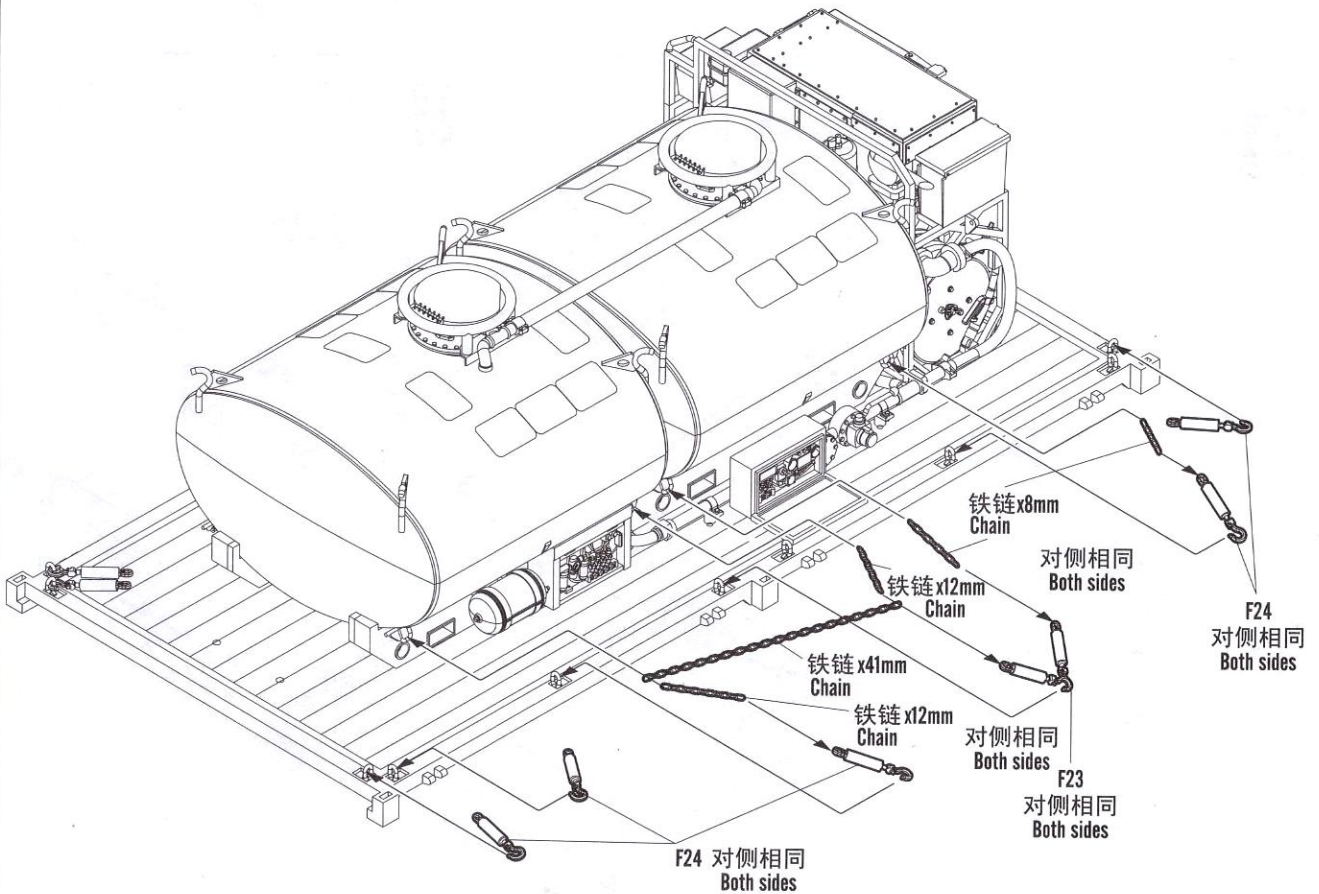
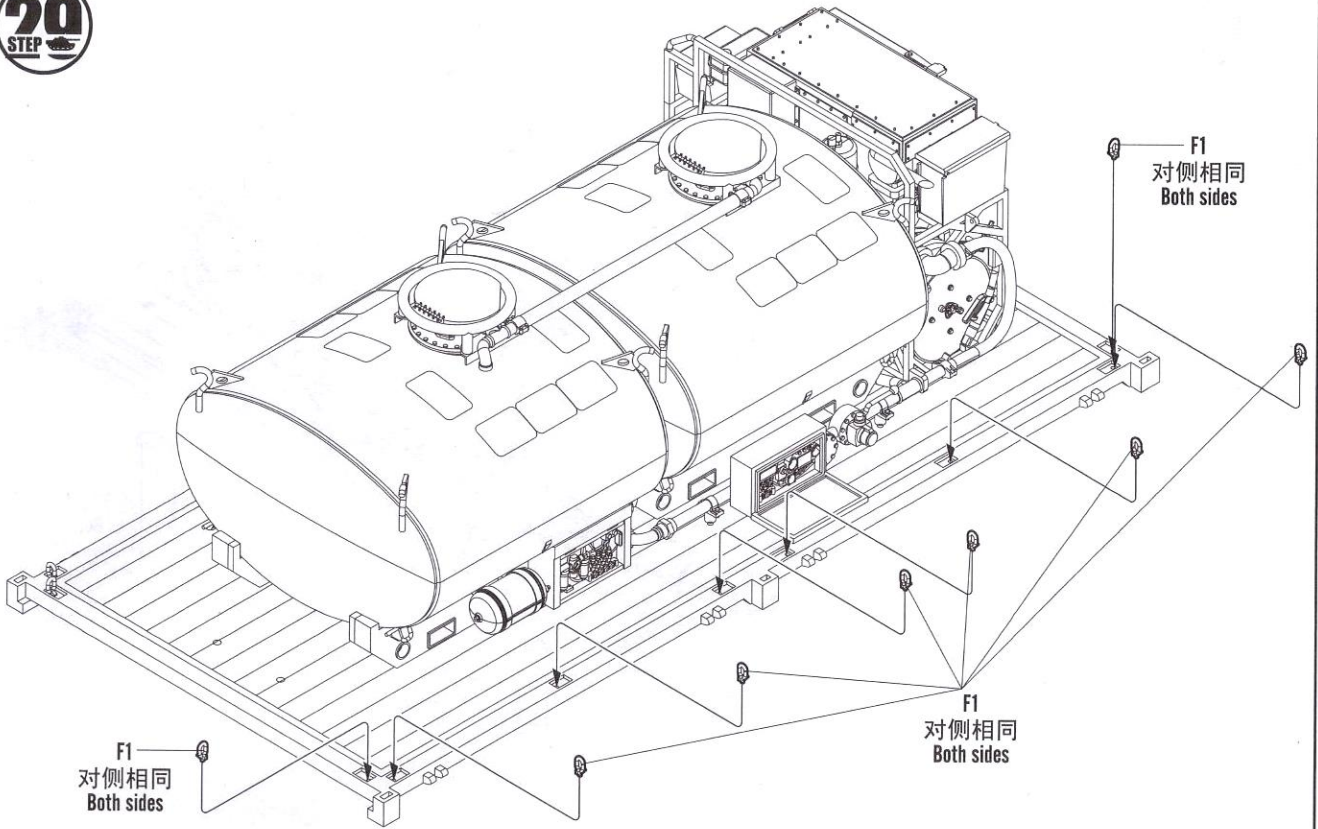


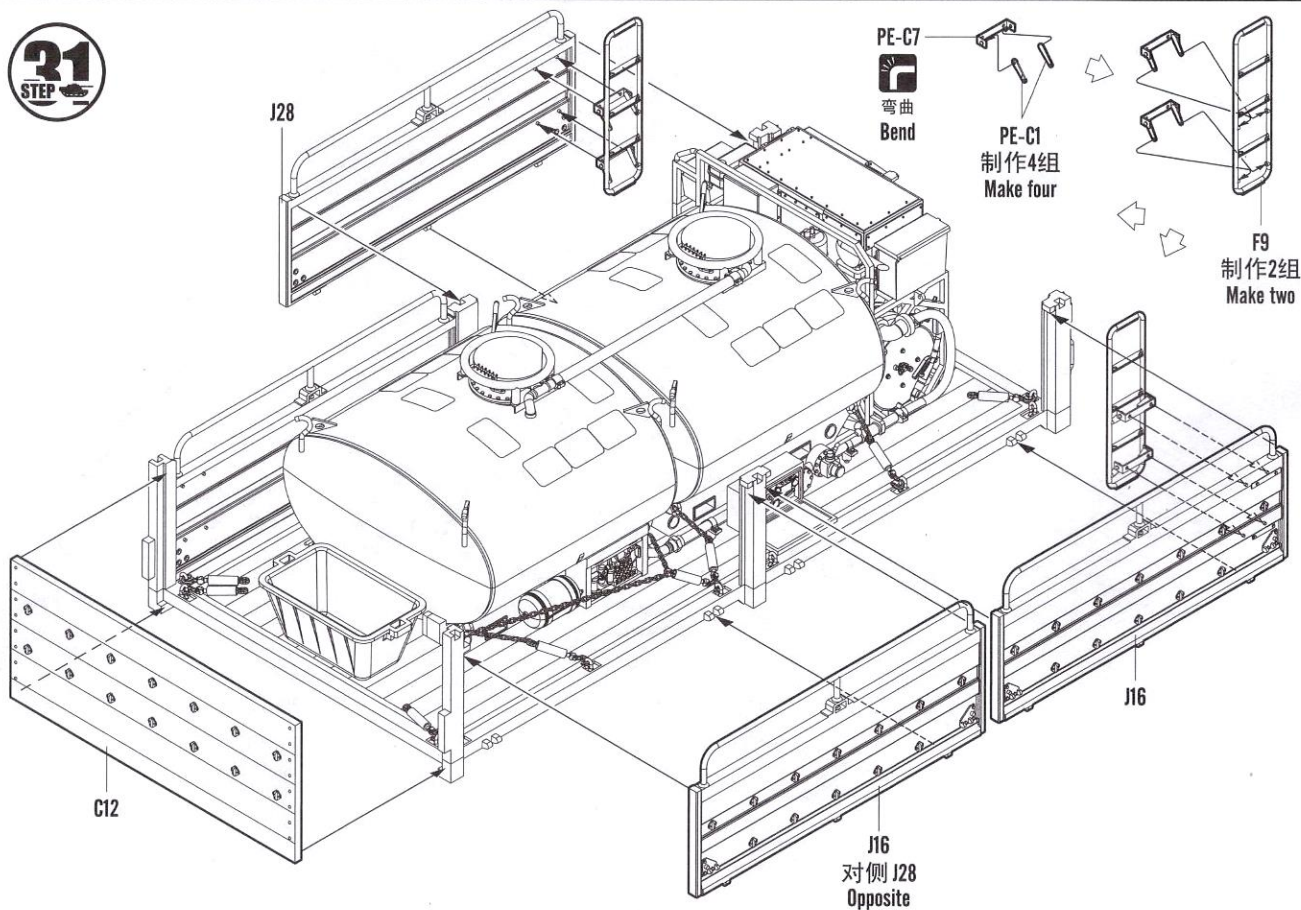
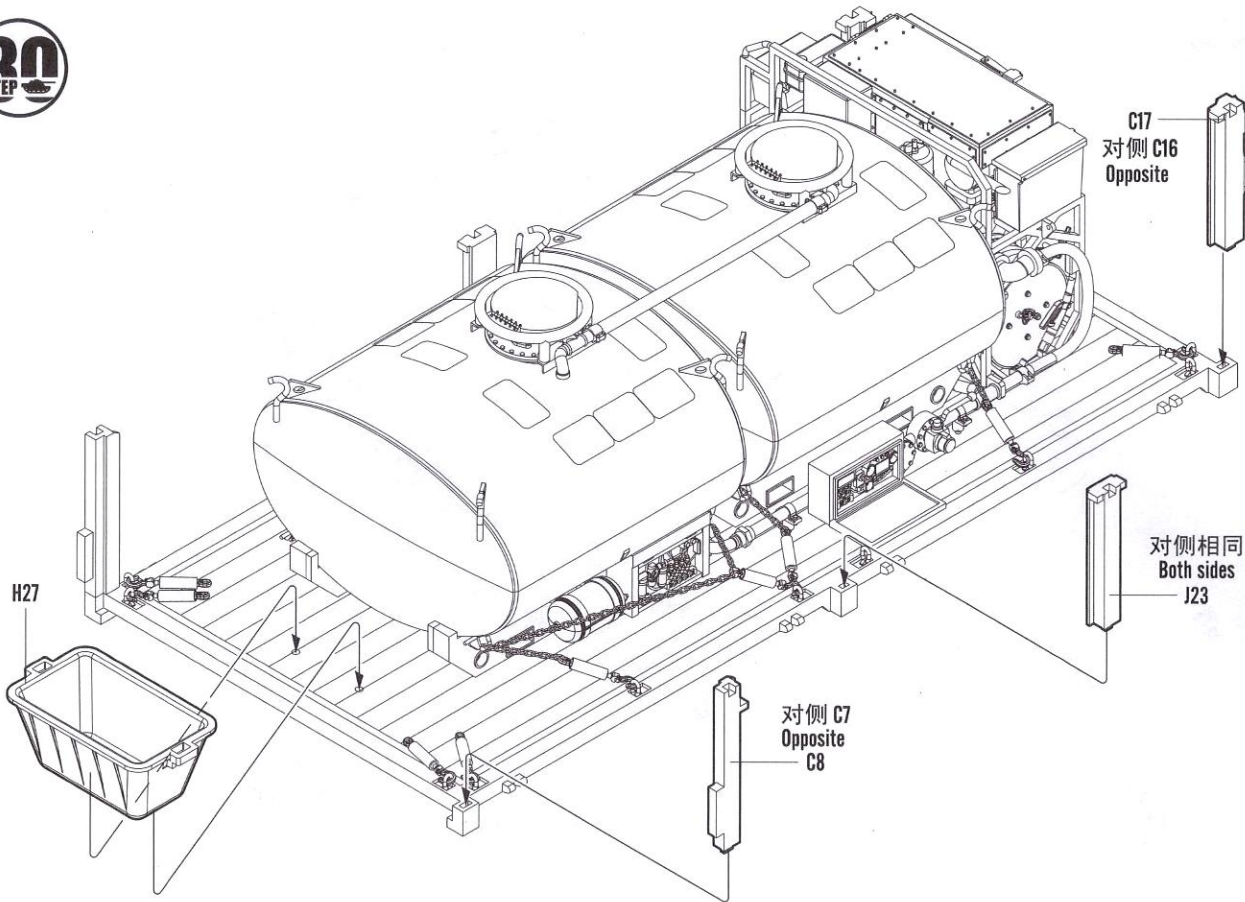


27
STEP

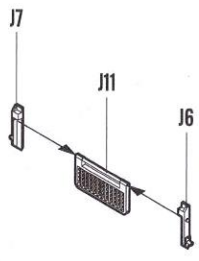




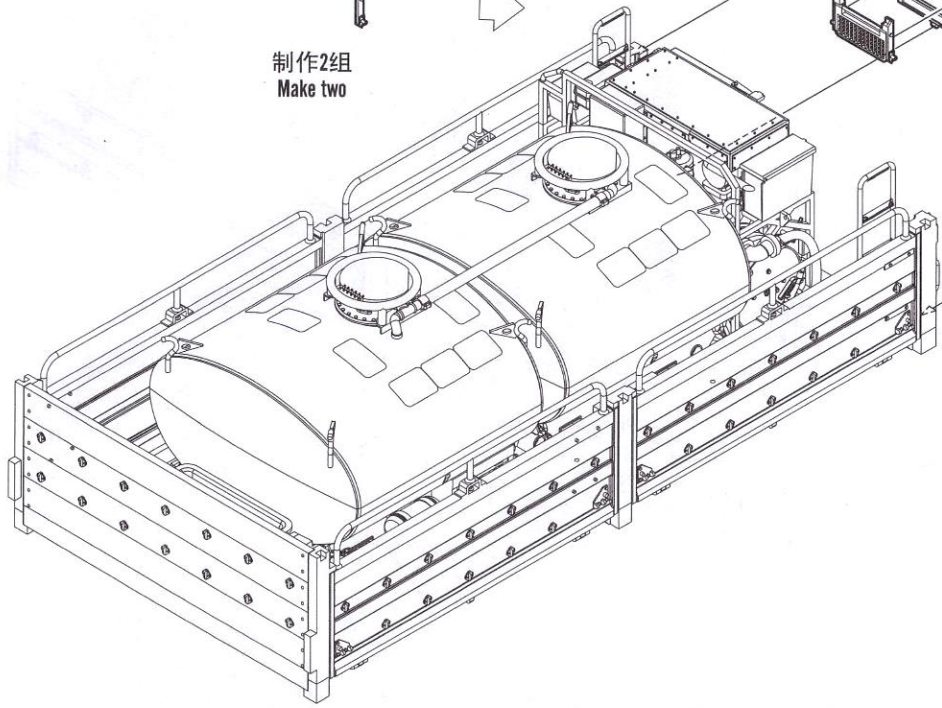
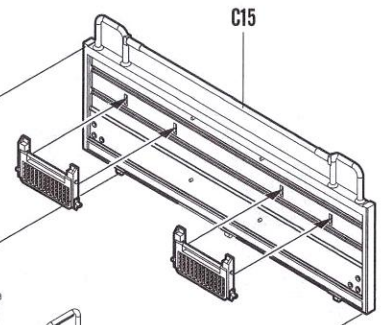




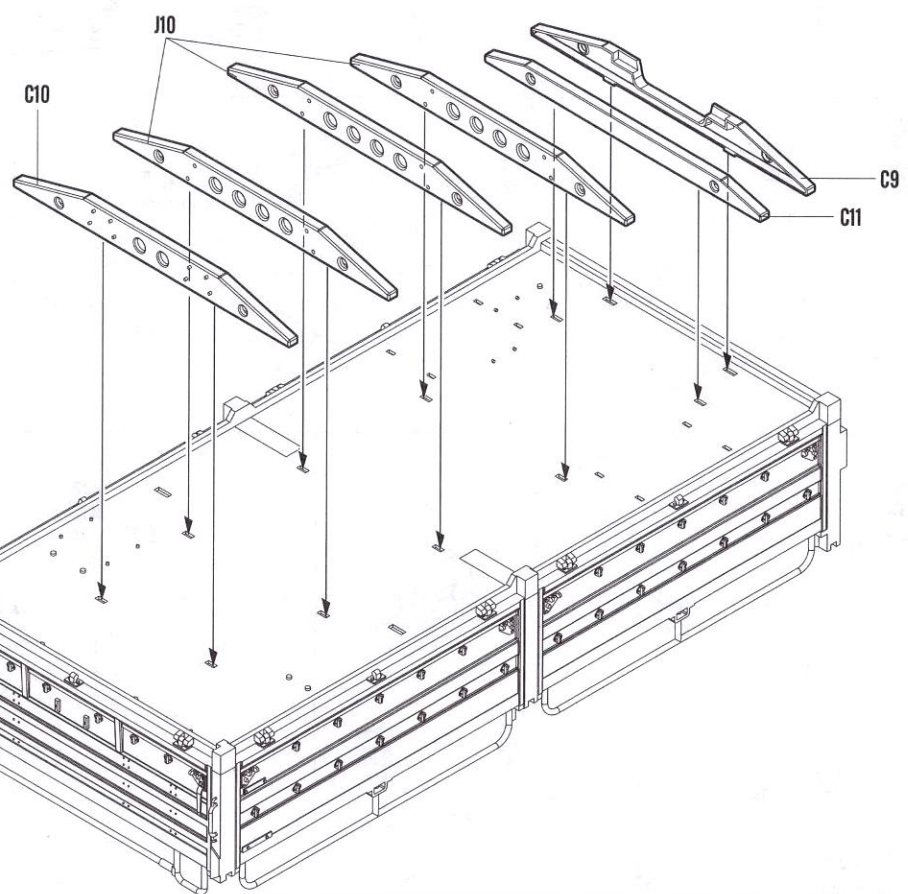
32
STEP



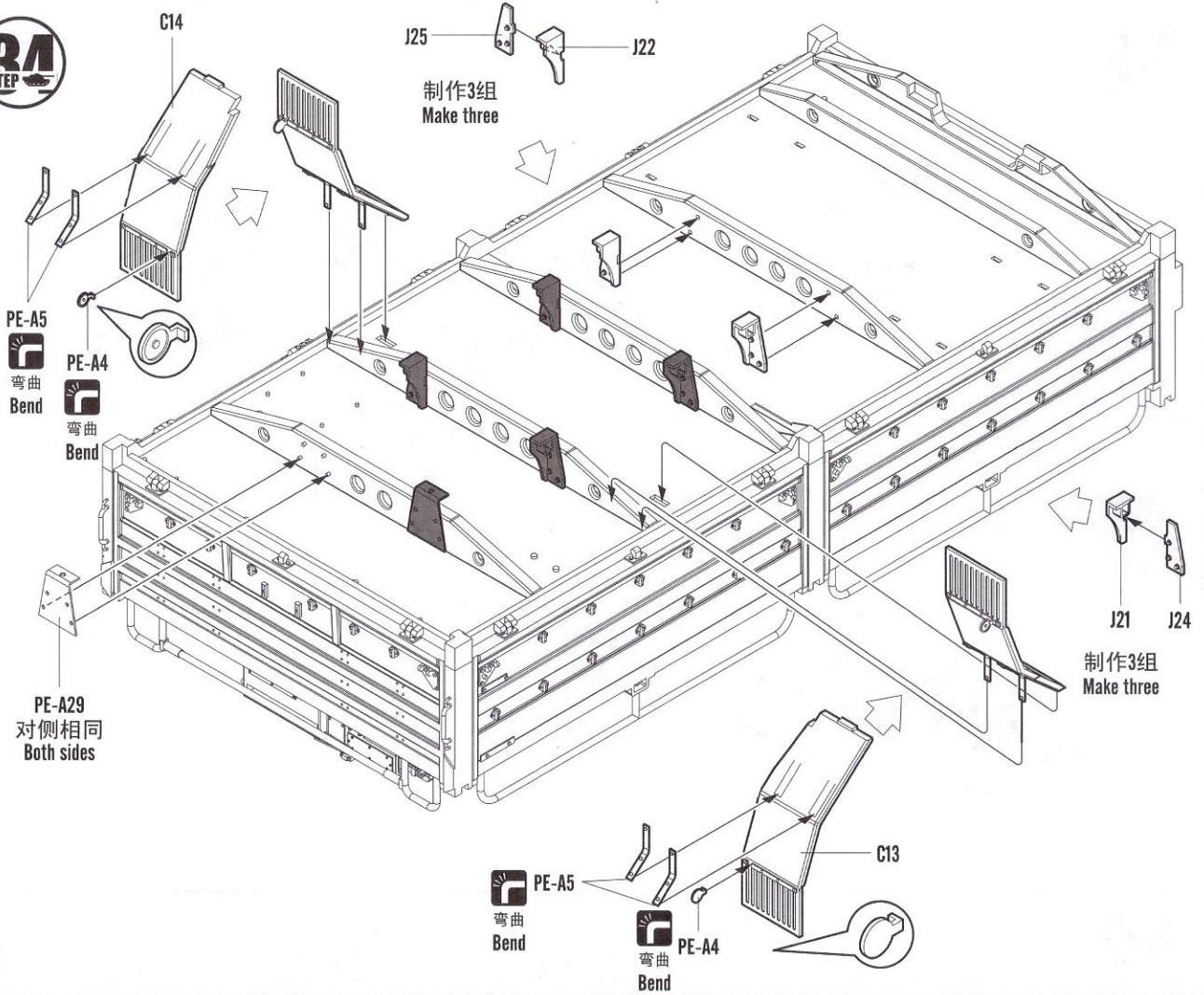
制作2组
Make two



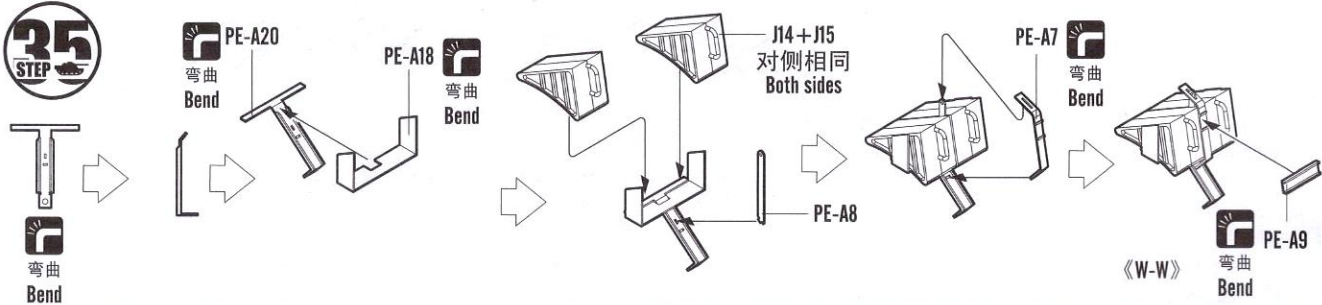
33
STEP



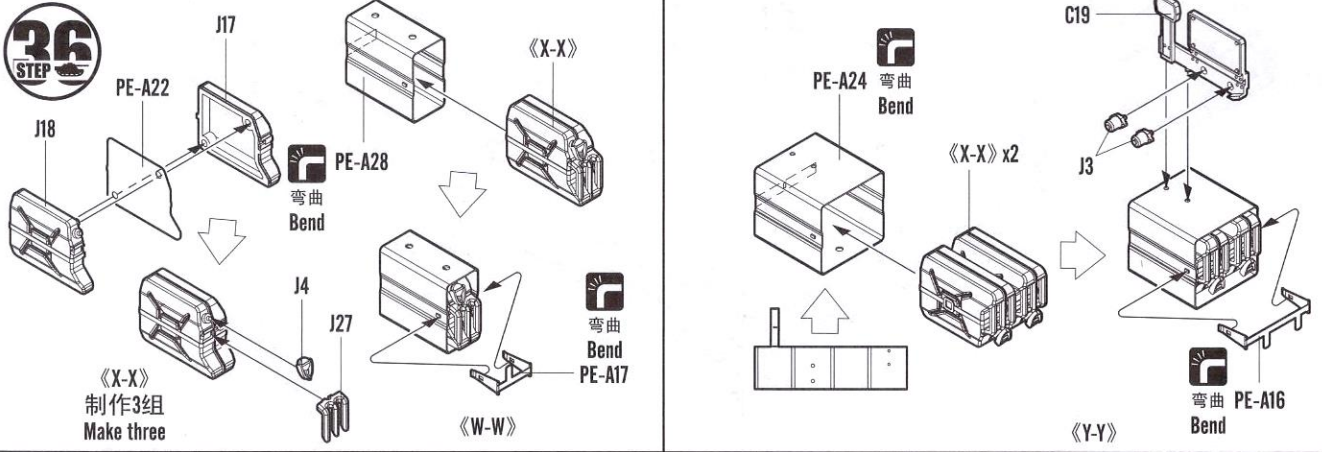
34
STEP



35
STEP



36
STEP



《W-W》

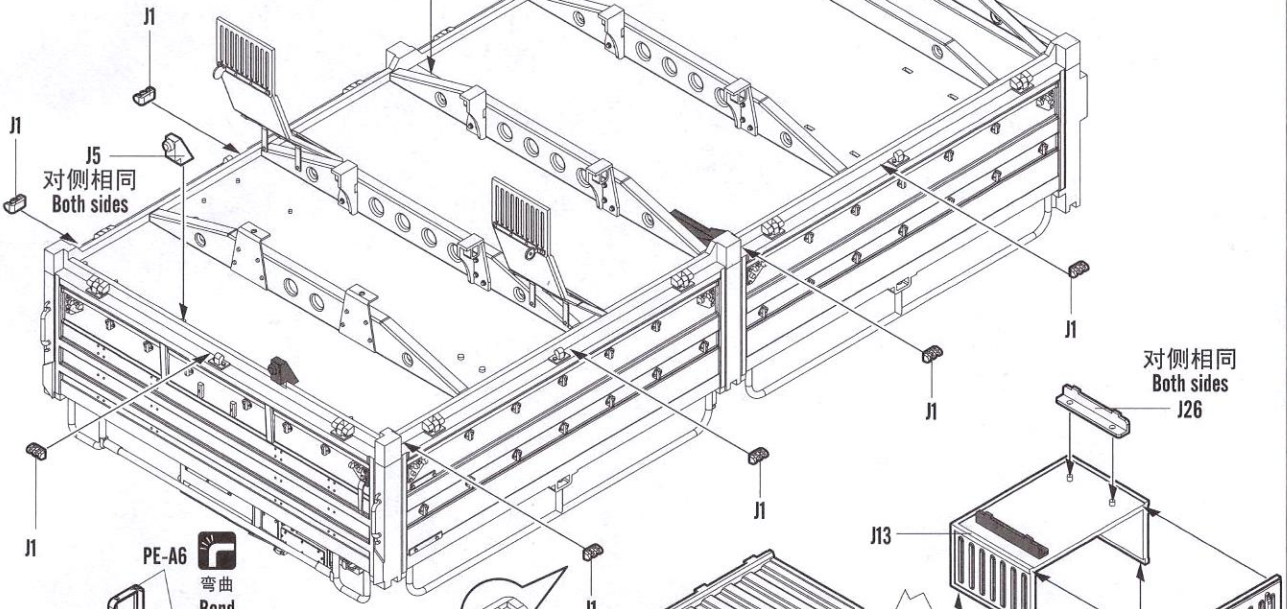
对侧相同
Both sides



弯曲
Bend

PE-A21

J1



对侧相同
Both sides

J26



弯曲
Bend

PE-A6

C4

C5 + C6

《Y-Y》

制作2组
Make two



弯曲
Bend
GP9
PE-A14

GP10

J3

GP9

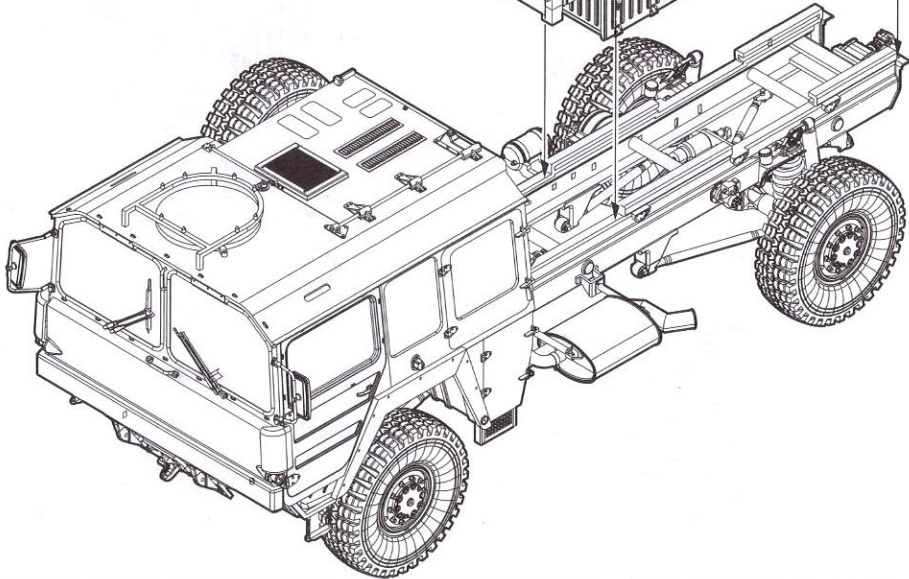
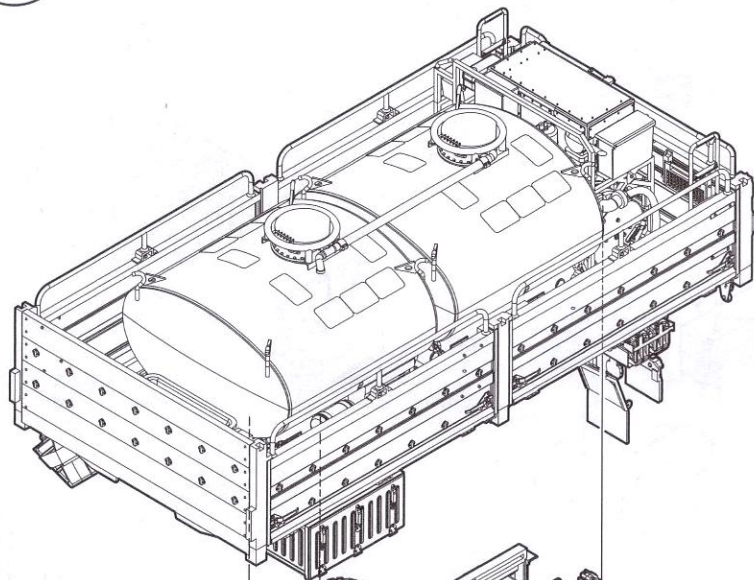
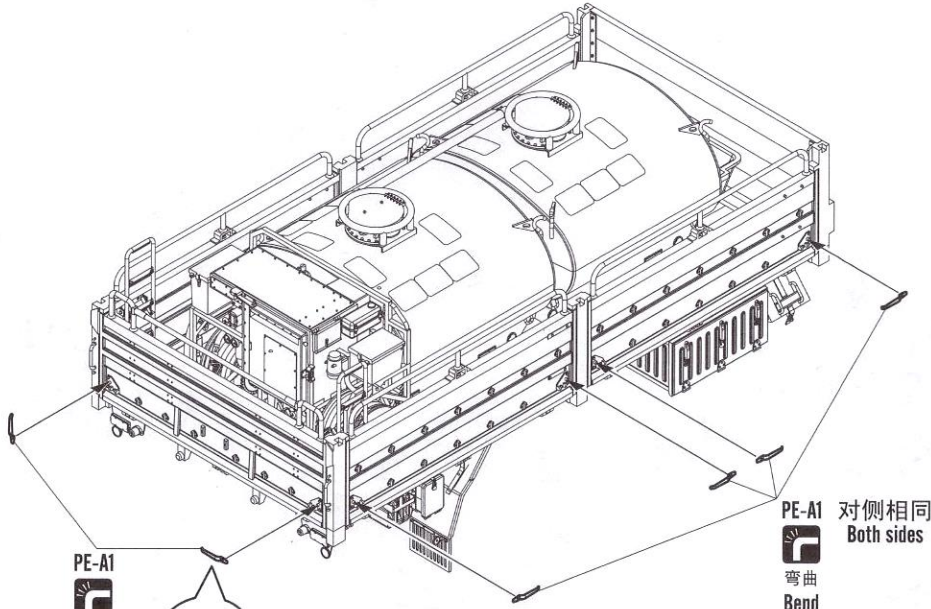
PE-A13

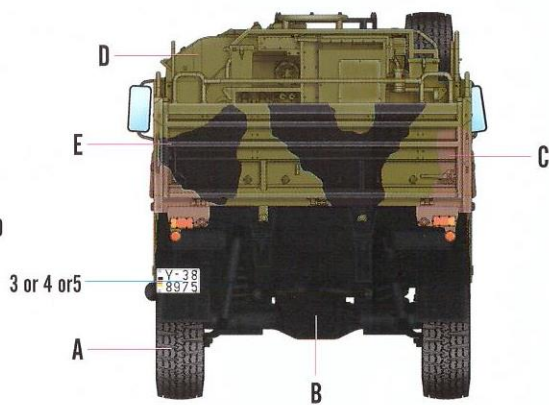
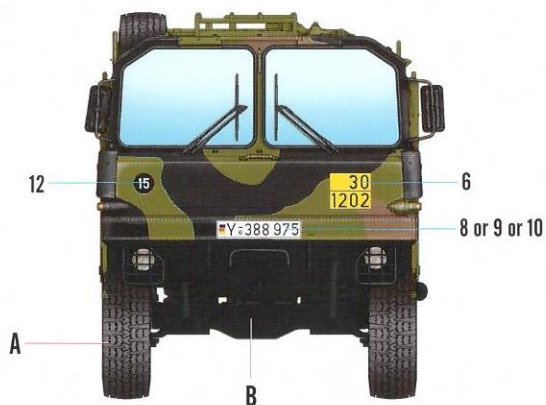
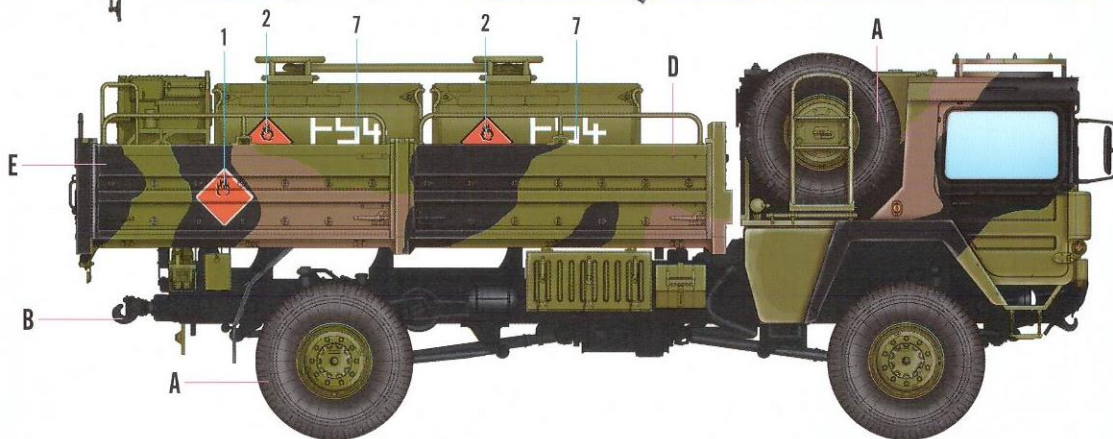
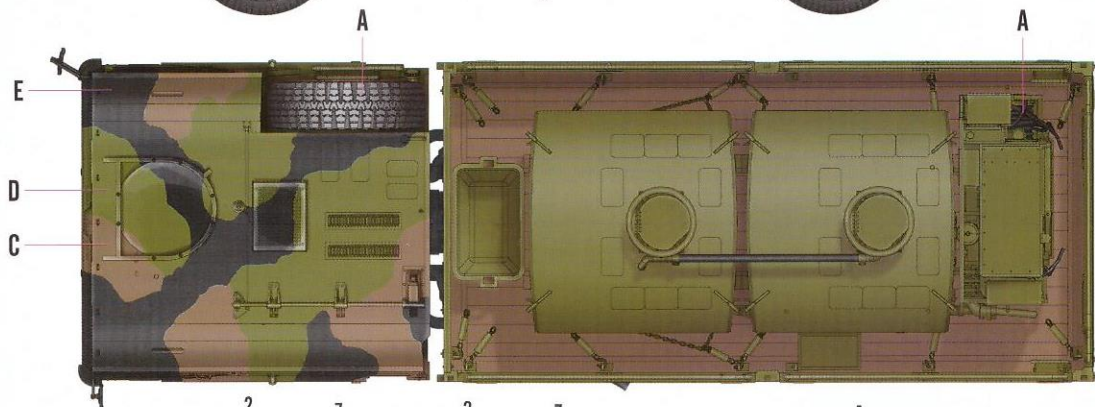
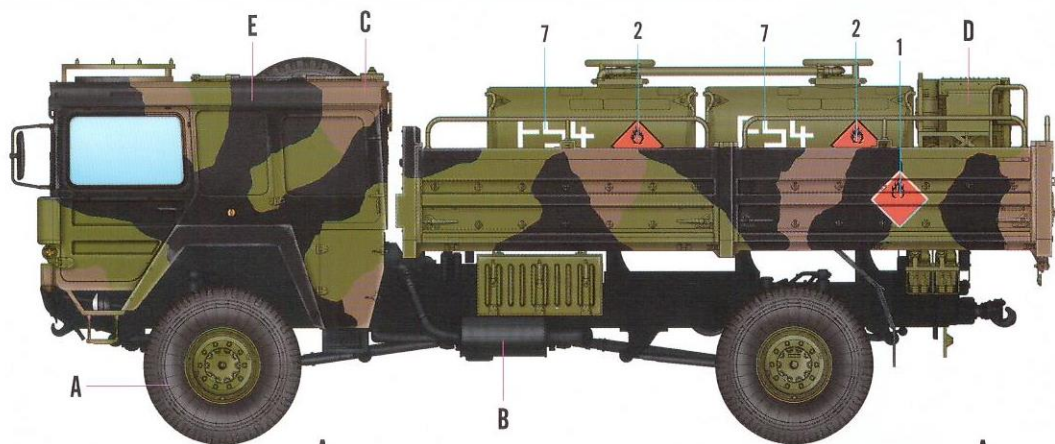


弯曲
Bend

J3

GP10





	Color	Mr.Hobby	Vallejo	Model Master	Tamiya	Humbrol		Color	Mr.Hobby	Vallejo	Model Master	Tamiya	Humbrol
A	胎黑色 Tire Black	H [77] 137	--	--	--	--	D	战车绿 Dark Green	H [] 70	--	--	--	--
B	黑铁色 Steel	H [18] 28	864	1402	--	--	E	消光黑 Flat Black	H [12] 33	950	1749	XF1	33
C	木棕色 Wood Brown	H [37] 43	983	1701	--	186							