

eduard

Region Condor



1/32

LIMITED EDITION

11105 - NAV1

ATTENTION



UPOZORNĚNÍ



ACHTUNG



ATTENTION



注意



Carefully read instruction sheet before assembling. When you use glue or paint, do not use near open flame and use in well ventilated room. Keep out of reach of small children. Children must not be allowed to suck any part, or pull vinyl bag over the head.



Před započítím stavby si pečlivě prostudujte stavební návod. Při používání barev a lepidla pracujte v dobře větrané místnosti. Lepidla ani barvy nepoužívejte v blízkosti otevřeného ohně. Model není určen malým dětem, mohlo by dojít k požití drobných dílů.

INSTRUCTION SIGNS * INSTR. SYMBOLS * INSTRUKTION SINNBILDEN * SYMBOLES * 記号の説明

OPTIONAL
VOLBABEND
OHNOUTSAND
BROUSITOPEN HOLE
VYVRTAT OTVORSYMETRICAL ASSEMBLY
SYMETRICKÁ MONTÁŽREMOVE
ODŘÍZNOUTREVERSE SIDE
OTOČITAPPLY EDUARD MASK
AND PAINT
POUŽIT EDUARD MASK
NABARVIT

PARTS



DÍLY



TEILE

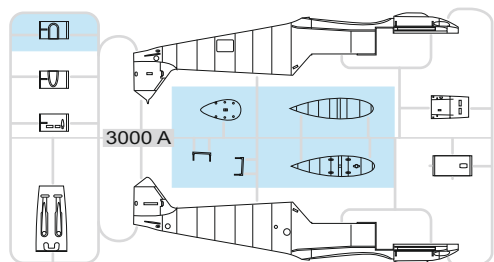


PIÈCES



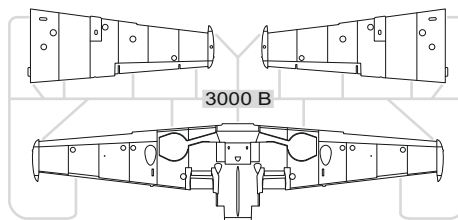
部品

A>

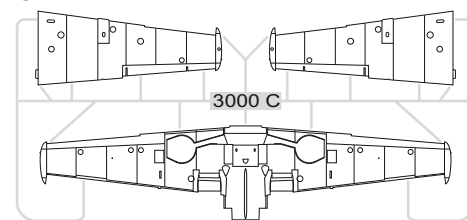


B>

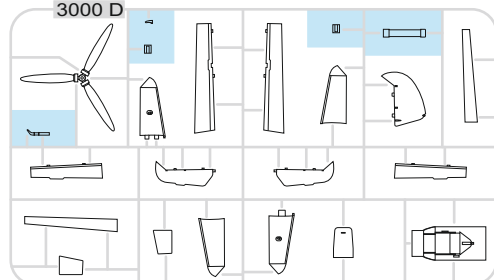
PLASTIC PARTS



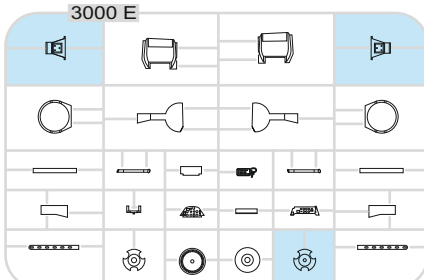
C>



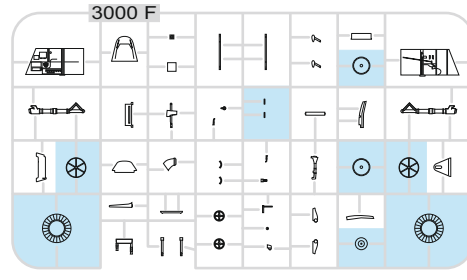
D>



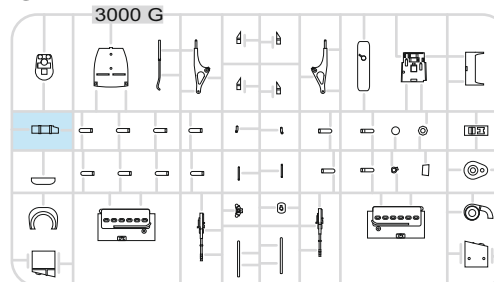
E>



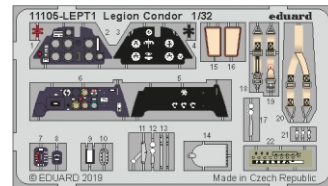
F>



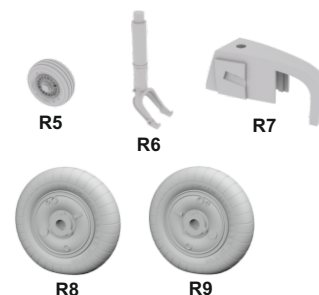
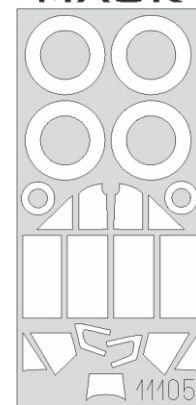
G>



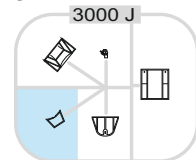
PE - PHOTO ETCHED DETAIL PARTS



RP - RESIN PARTS

eduard
BRASSINeduard
MASK

J>



-Parts not for use. -Teile werden nicht verwendet. -Pièces à ne pas utiliser. -Tyto díly nepoužívejte při stavbě. - 使用しない部品

COLOURS



BARVY



FARBEN



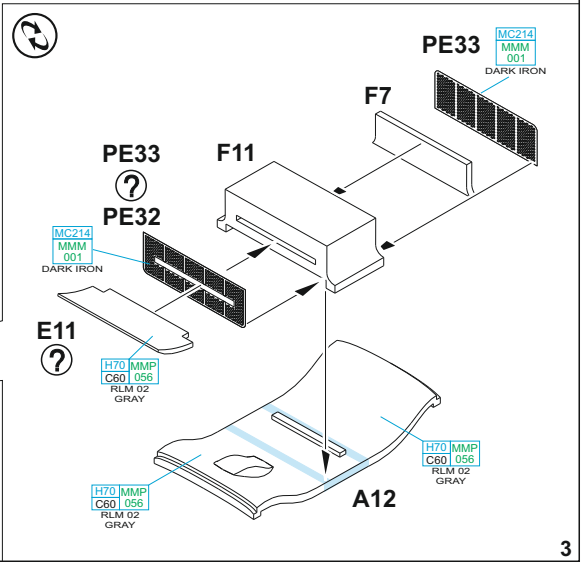
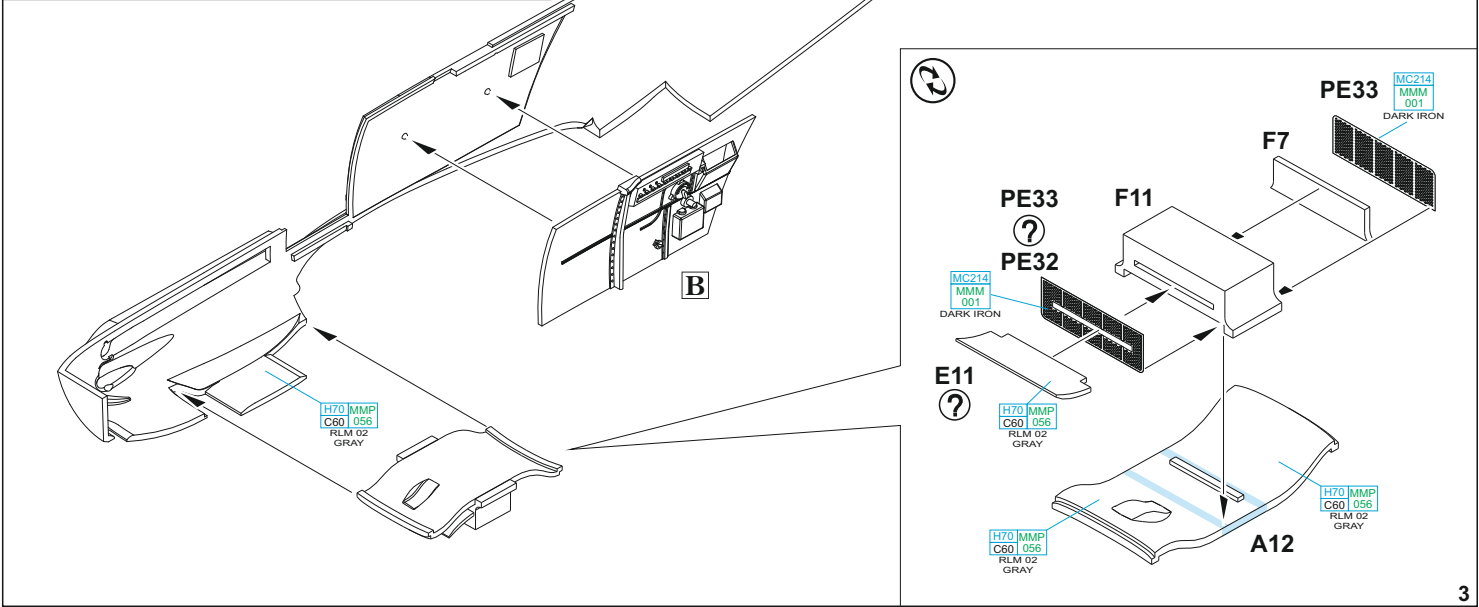
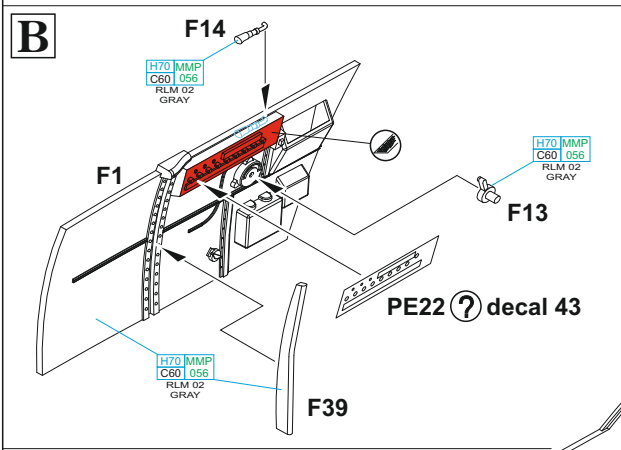
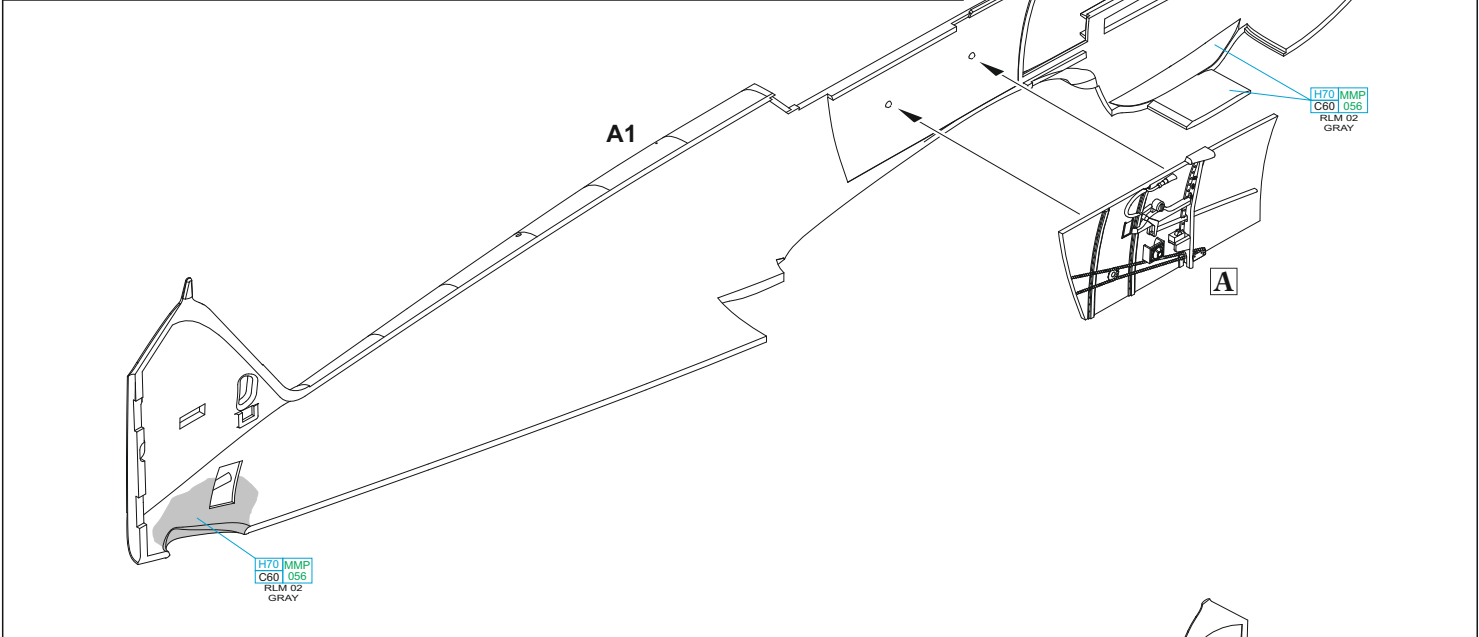
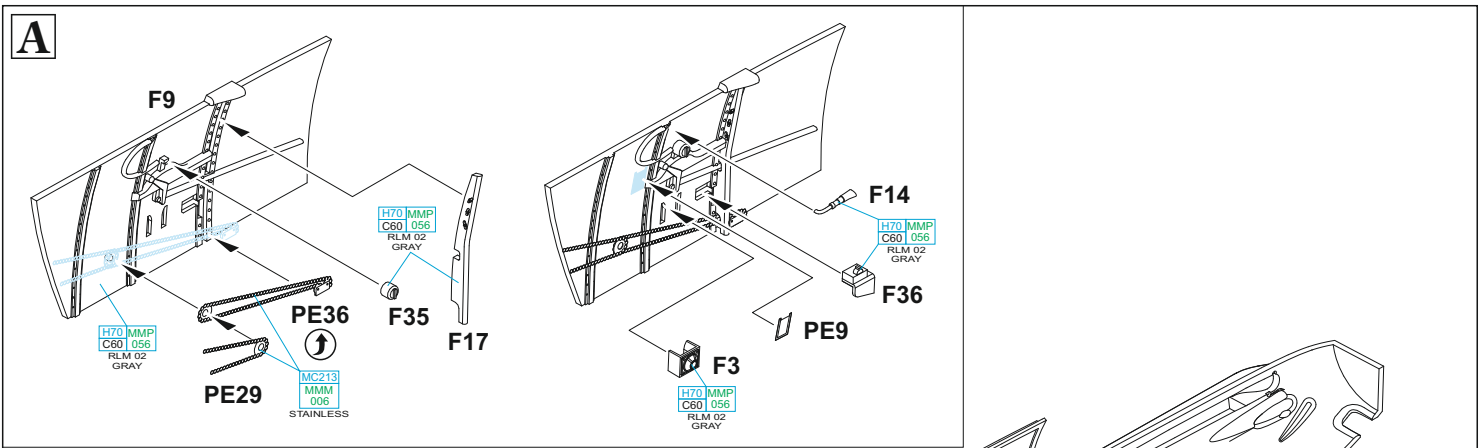
PEINTURE

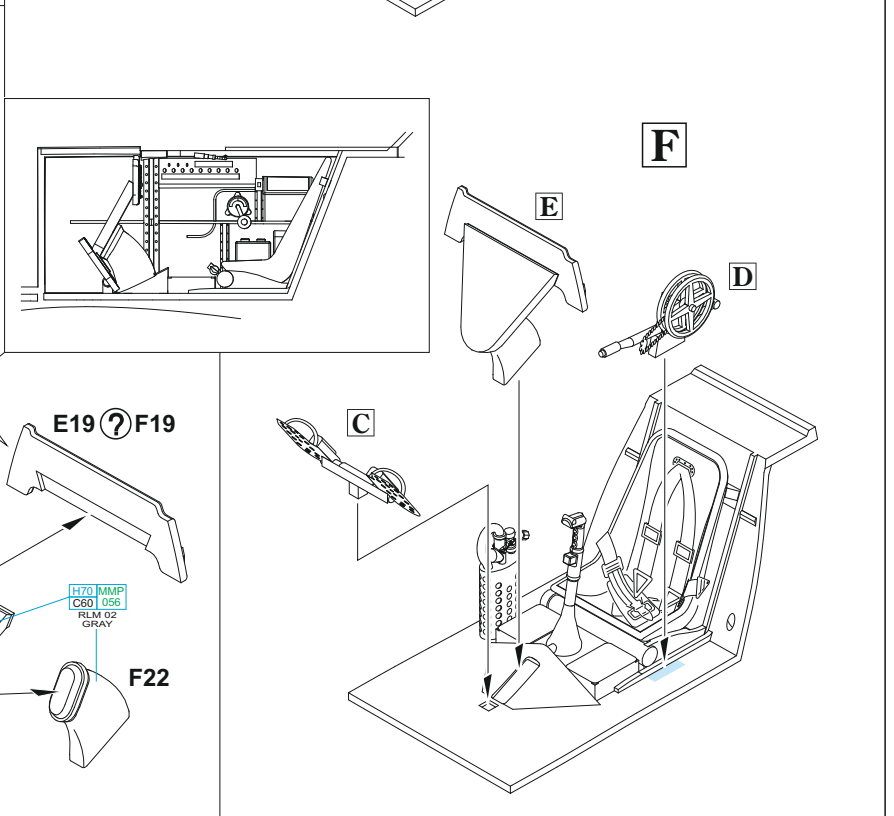
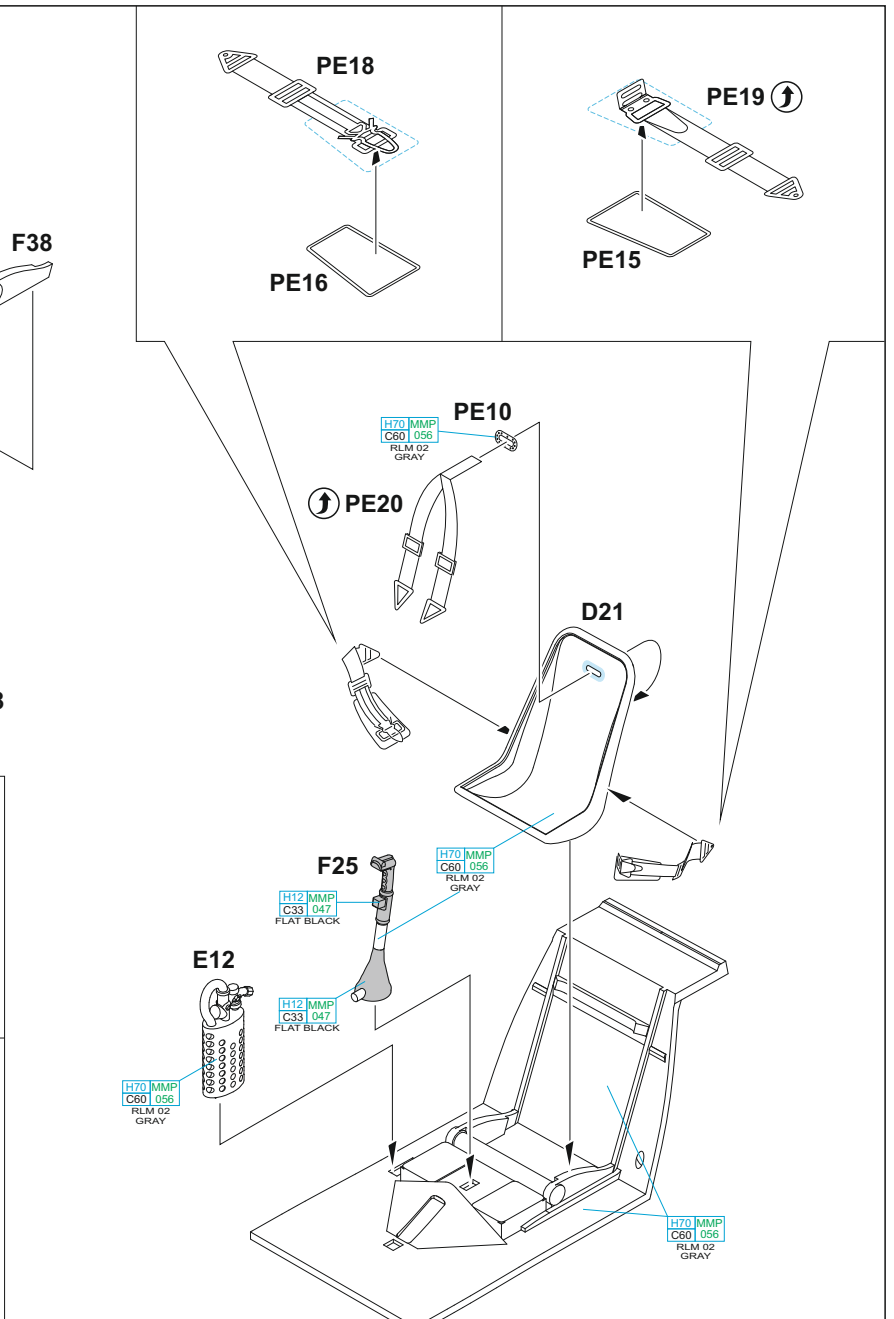
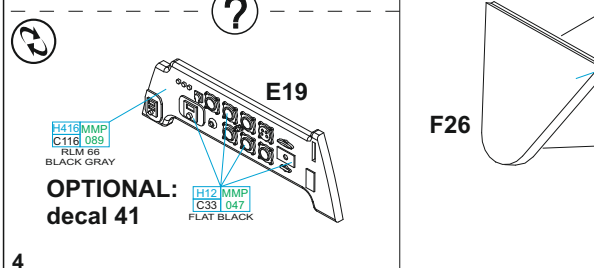
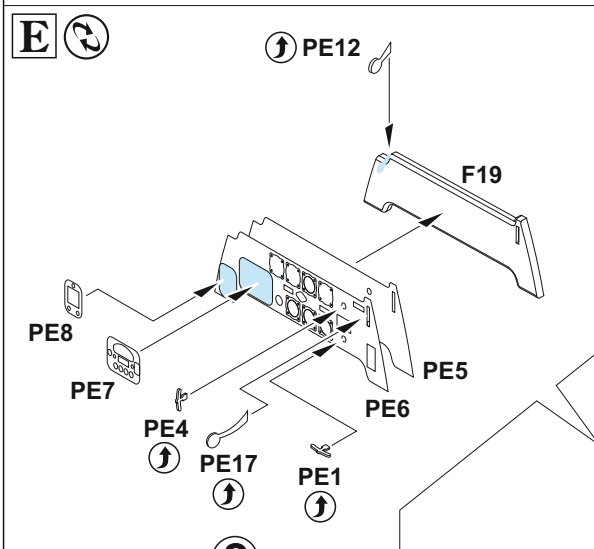
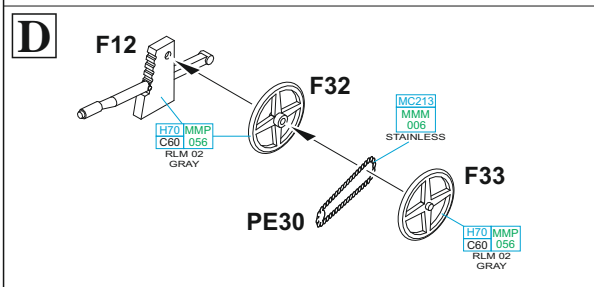
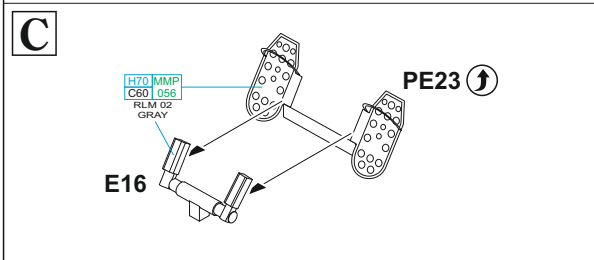
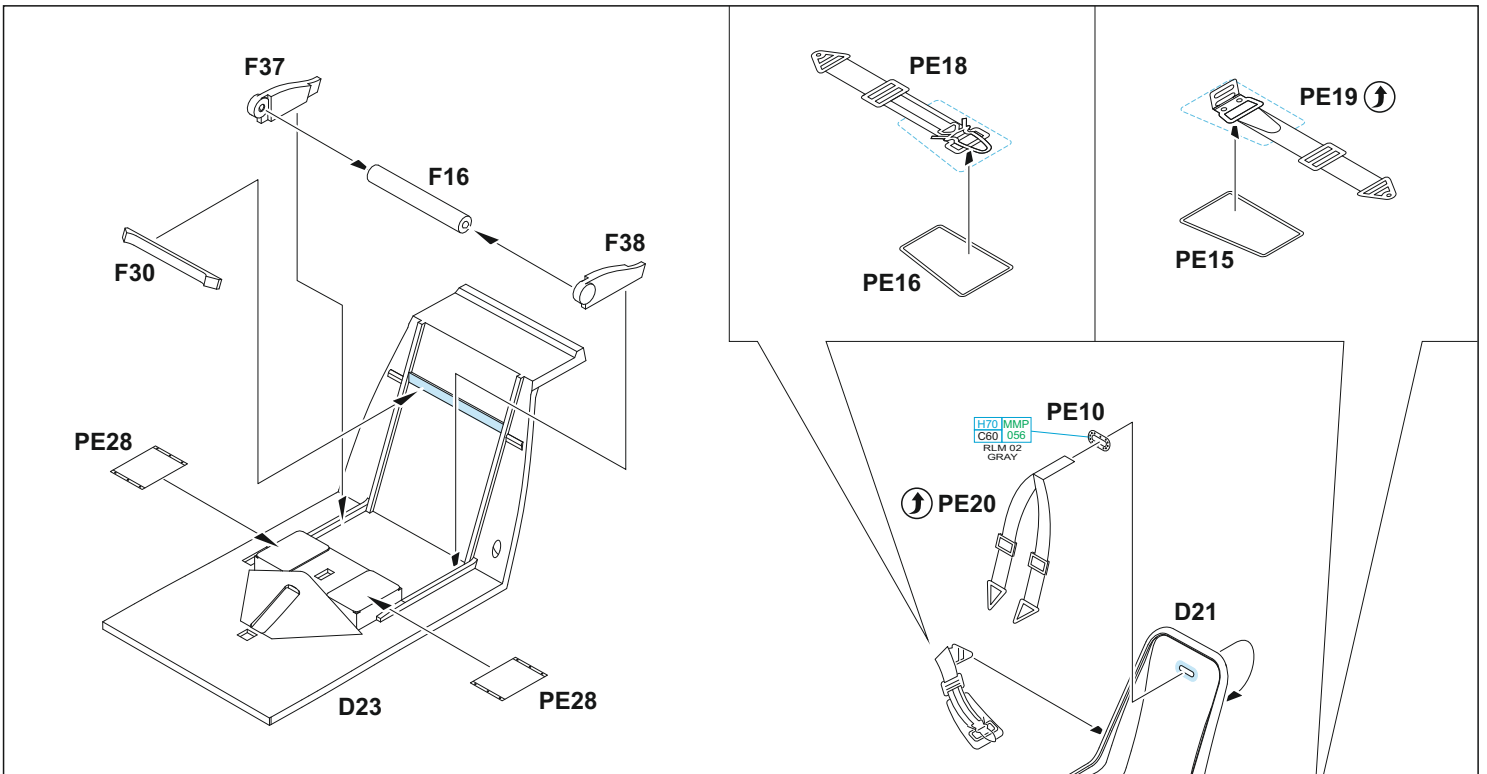


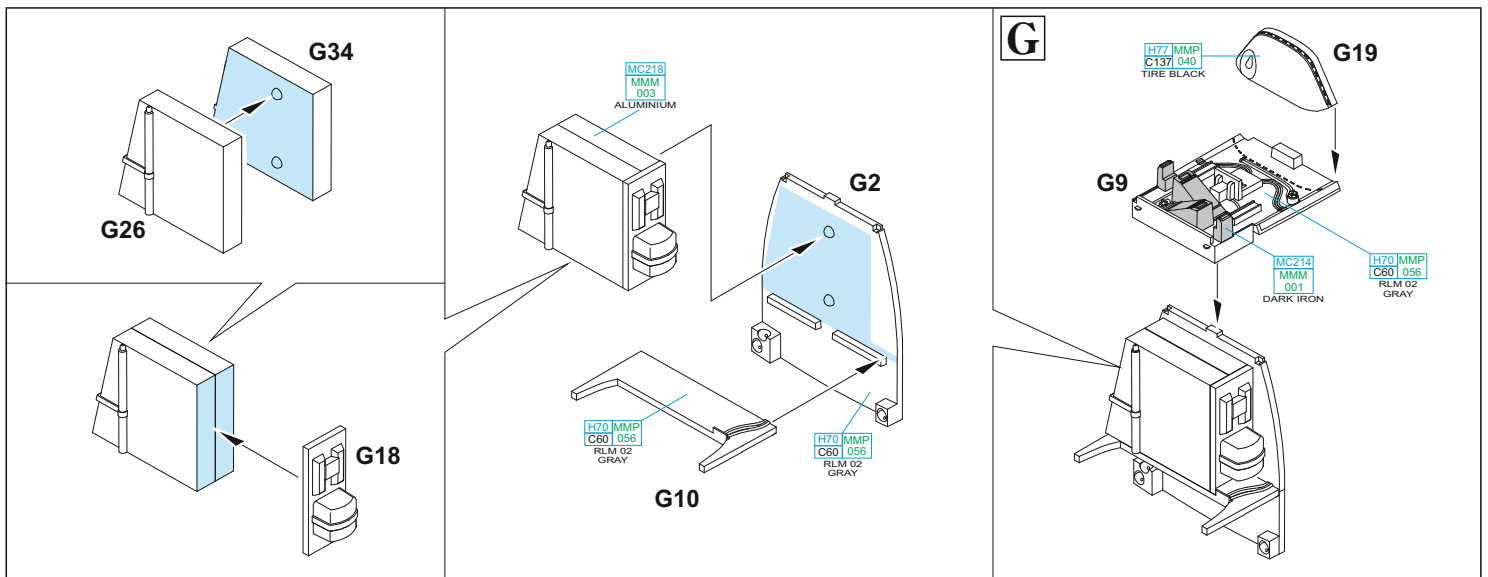
色

GSI Creos (GUNZE)		MISSION MODELS	
AQUEOUS	Mr.COLOR	PAINTS	
H2	C2	MMP-047	BLACK
H11	C62	MMP-001	FLAT WHITE
H12	C33	MMP-047	FLAT BLACK
H47	C41	MMP-012	RED BROWN
H64	C17	MMP-087	RLM71 DARK GREEN
H65	C18	MMP-088	RLM70 BLACK GREEN
H67	C115	MMP-057	RLM65 LIGHT BLUE
H70	C60	MMP-056	RLM02 GRAY
H77	C137	MMP-040	TIRE BLACK
H90	C47		CLEAR RED
H94	C138		CLEAR GREEN

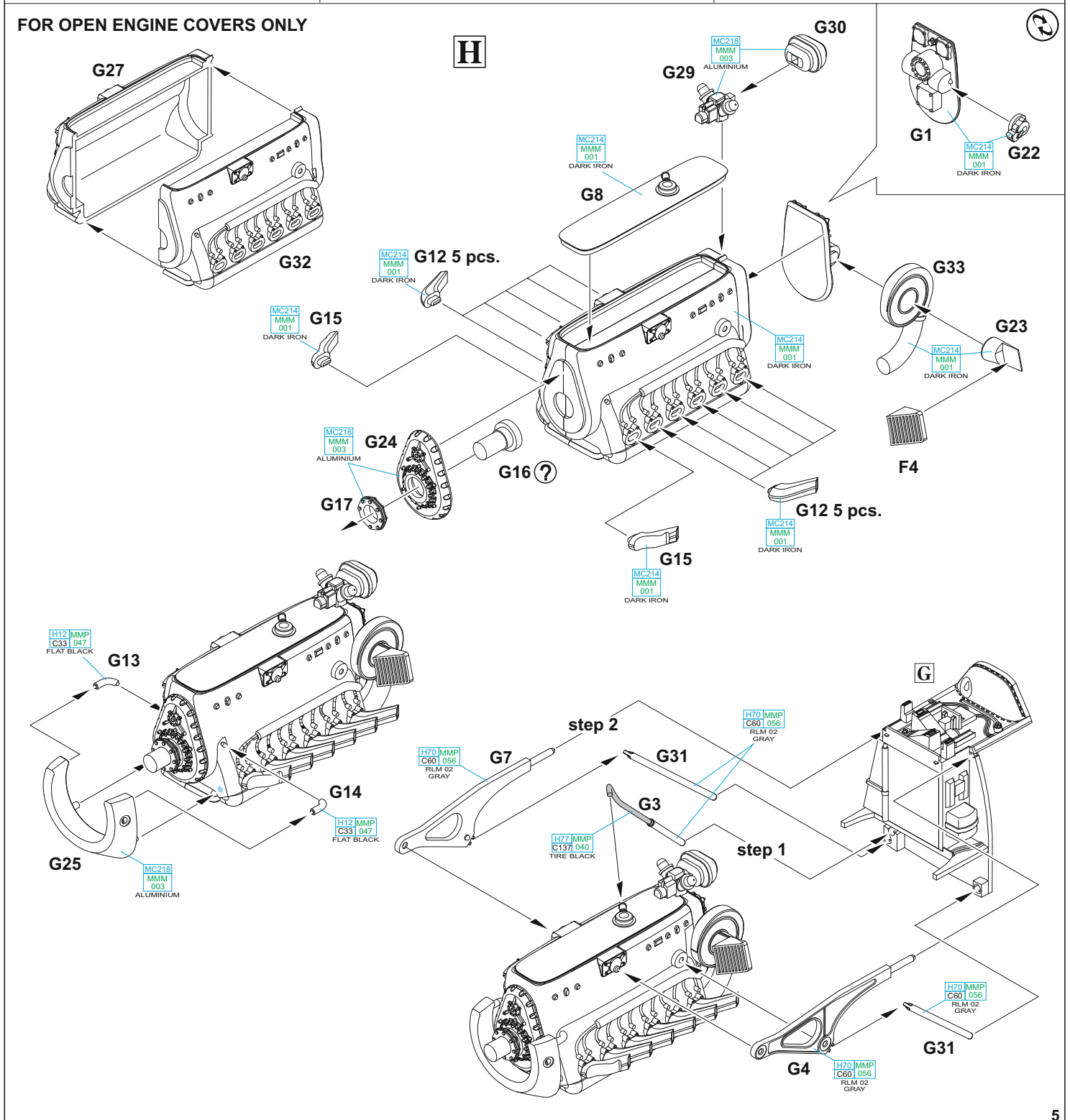
GSI Creos (GUNZE)		MISSION MODELS	
AQUEOUS	Mr.COLOR	PAINTS	
H308	C308	MMP-073	RLM63 GRAY
H413	C113	MMP-090	RLM04 YELLOW
H414	C114		RLM23 RED
H416	C116	MMP-089	RLM66 BLACK GRAY
Mr.METAL COLOR		METALLICS	
MC213		MMM-006	STAINLESS
MC214		MMM-001	DARK IRON
MC218		MMM-003	ALUMINIUM
Mr.COLOR SUPER METALLIC		METALLICS	
SM01		MMC-001	SUPER CHROME



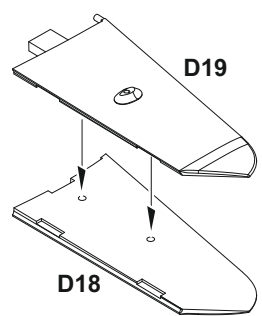
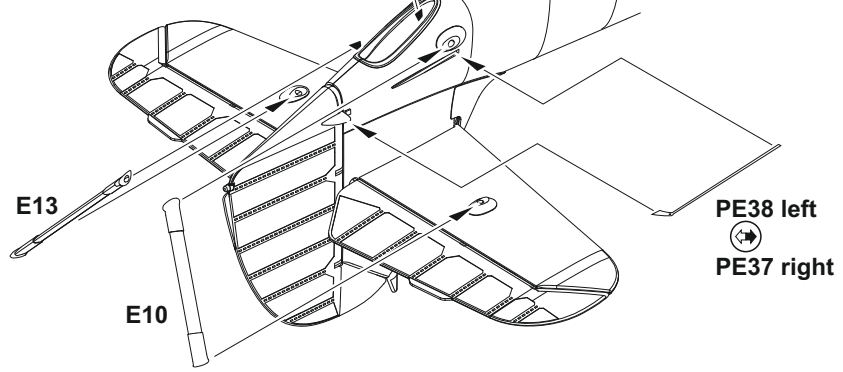
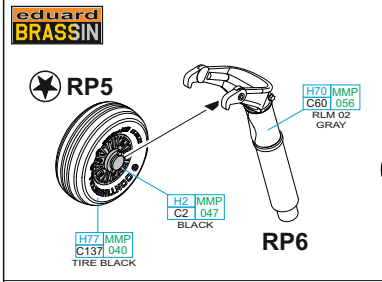
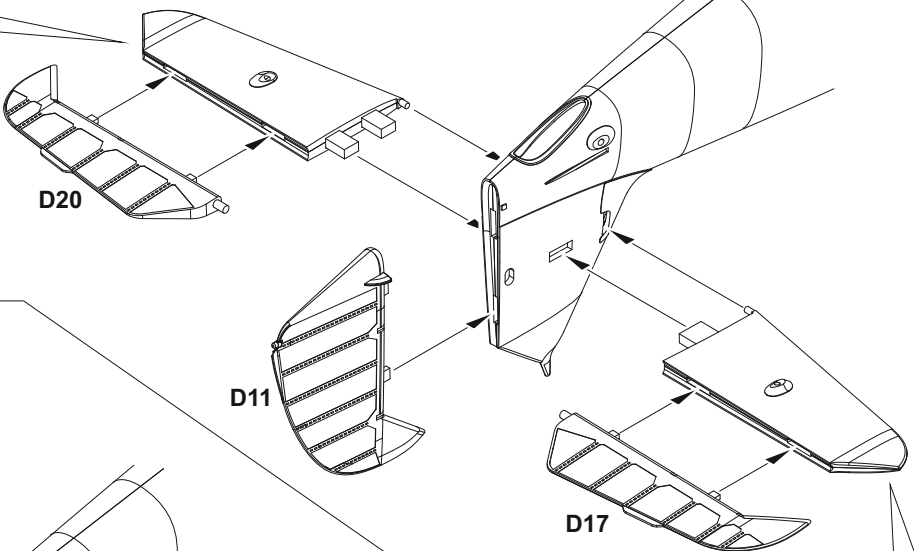
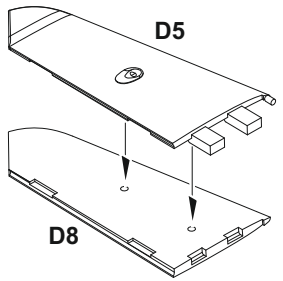
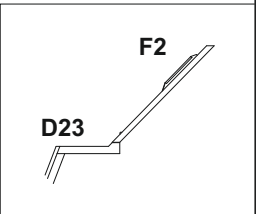
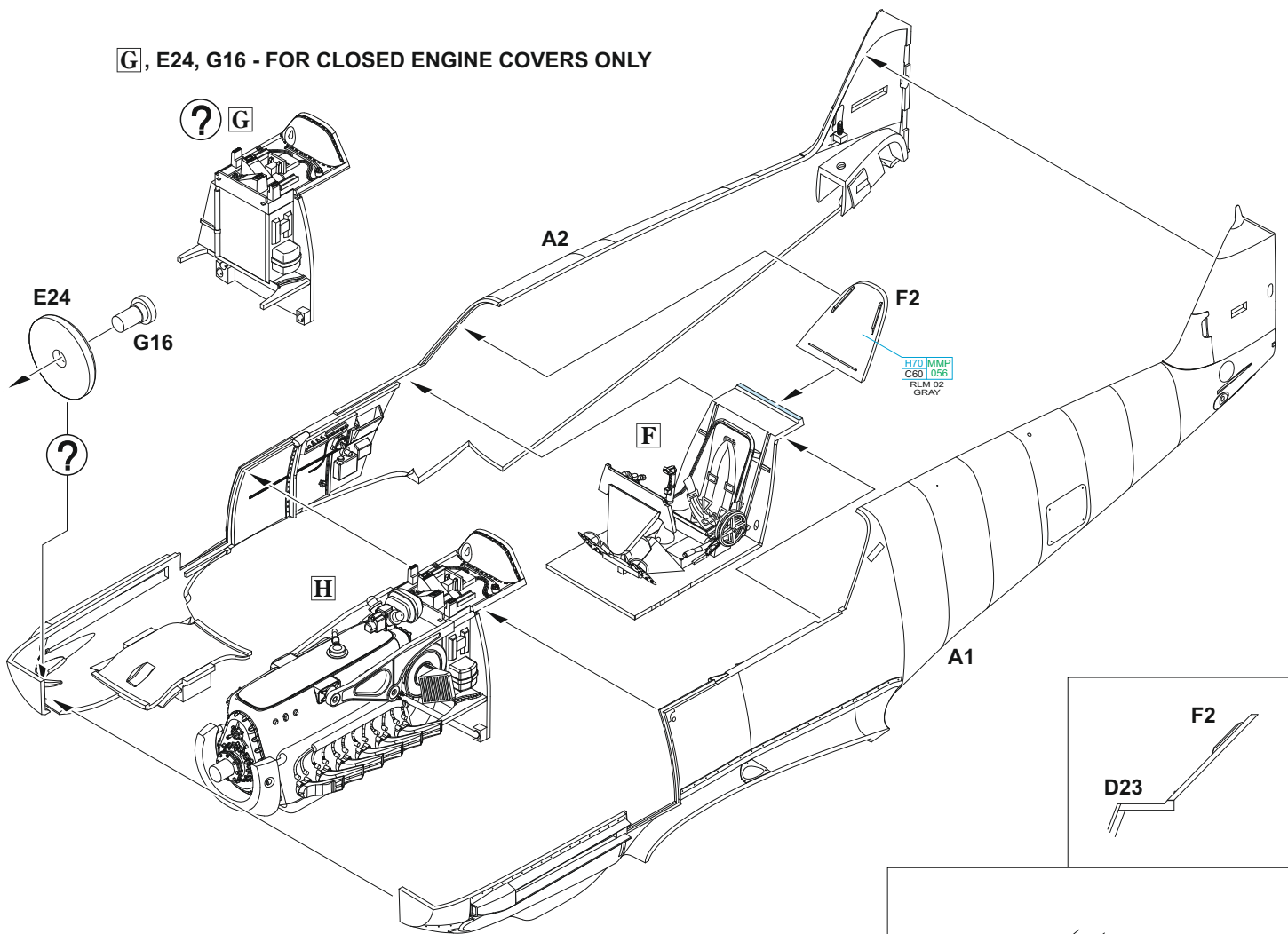


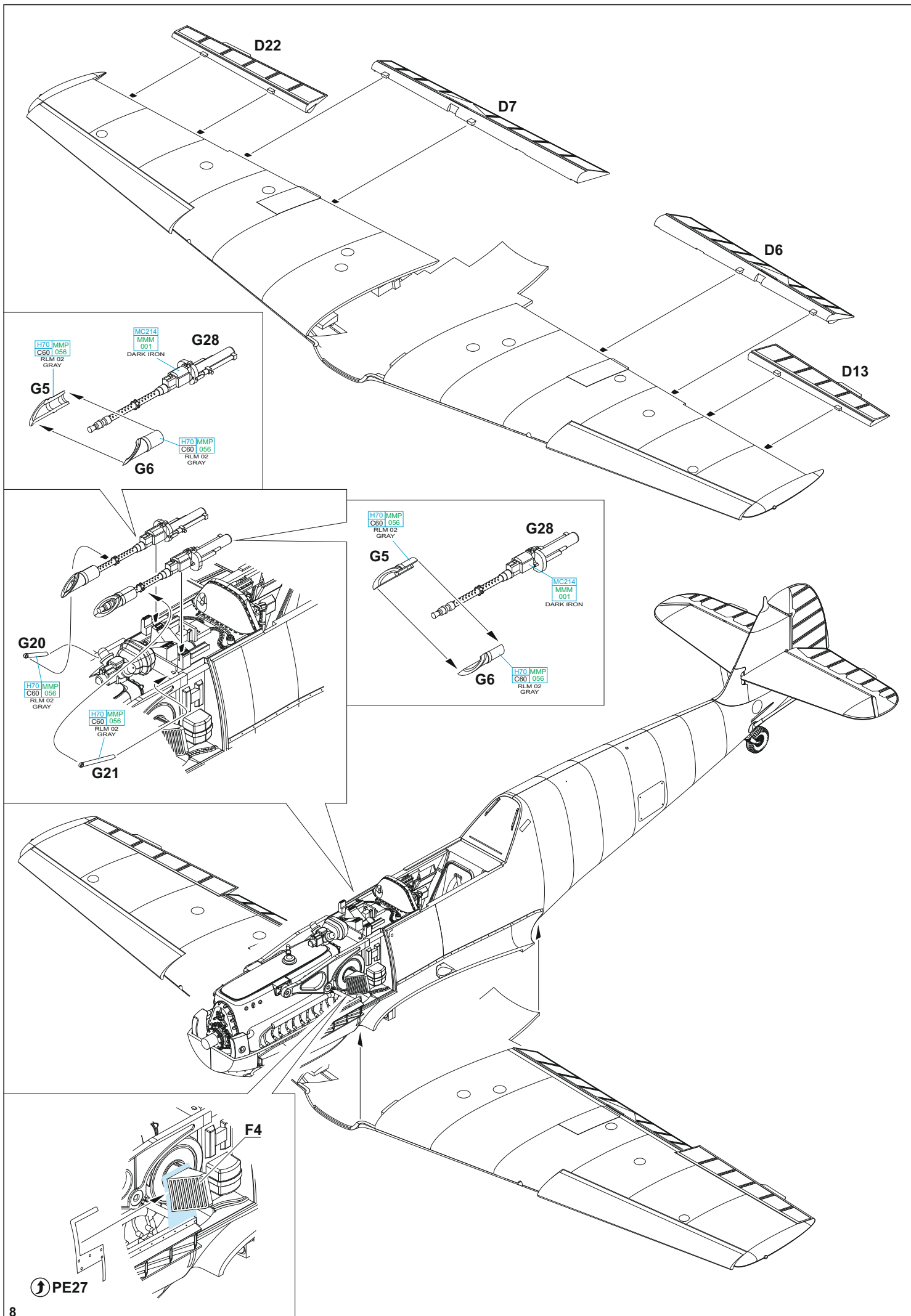


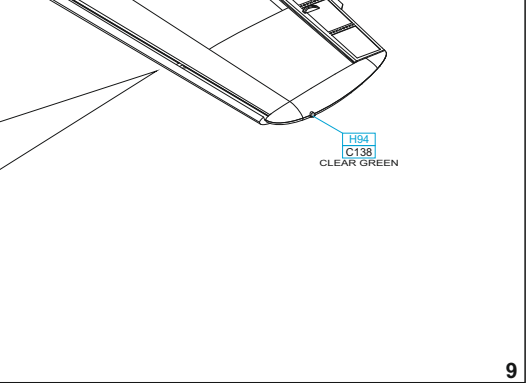
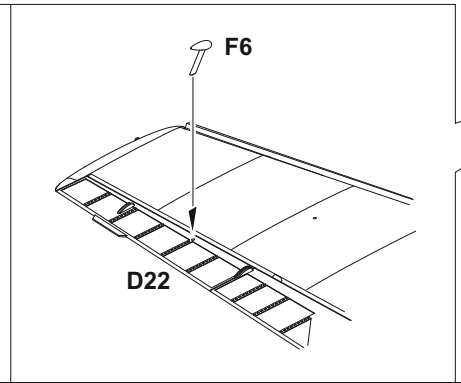
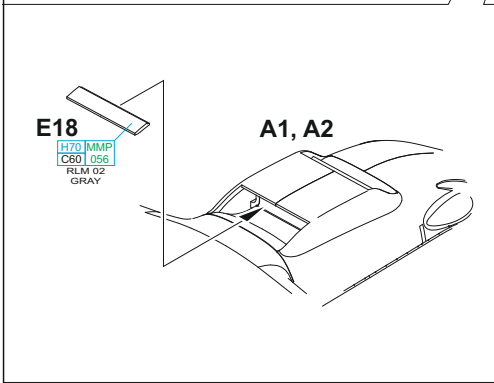
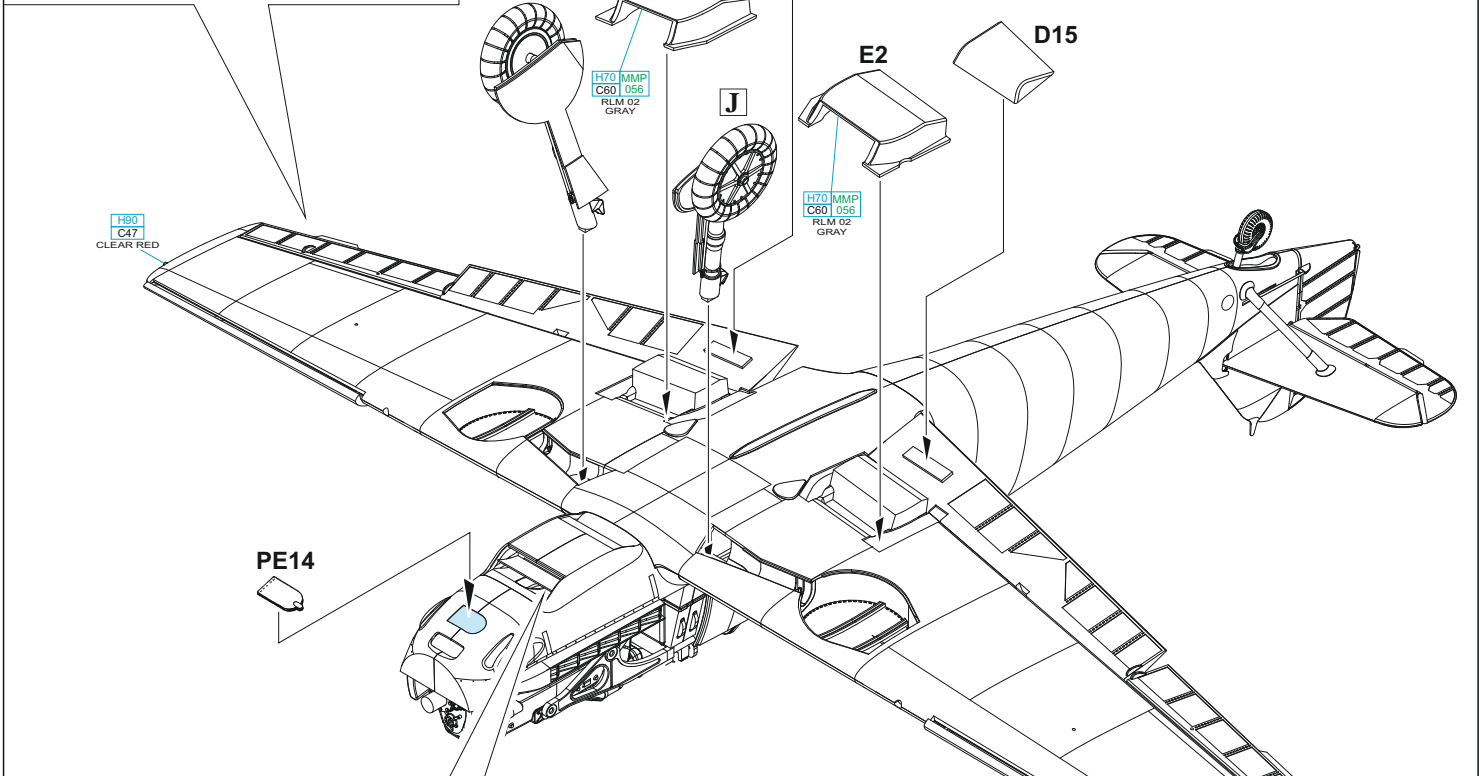
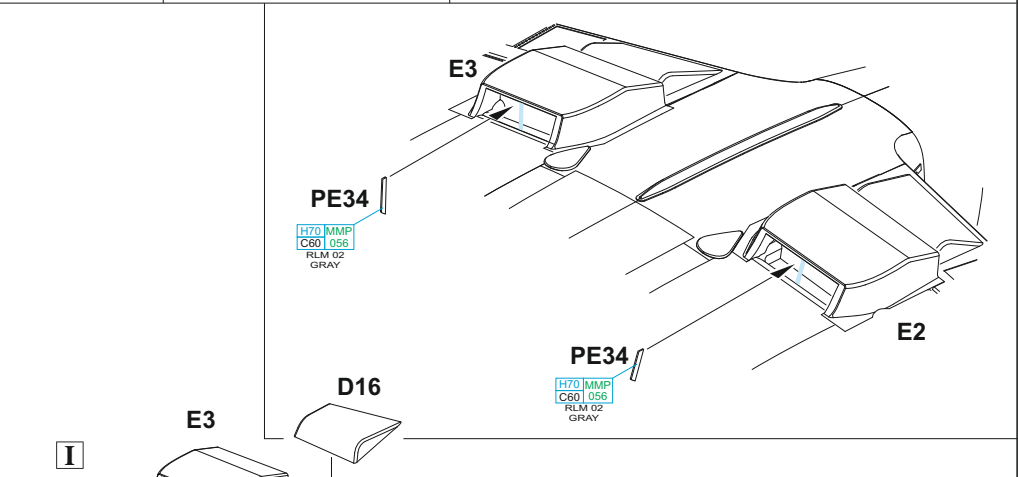
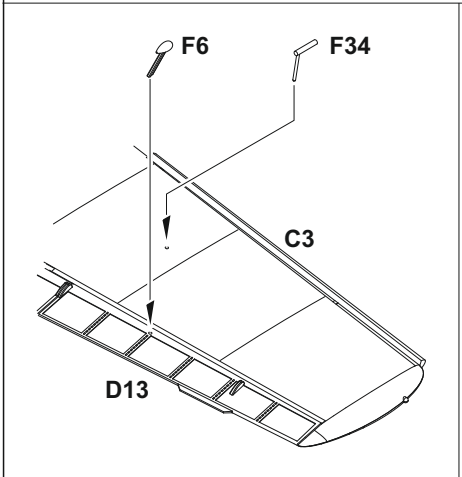
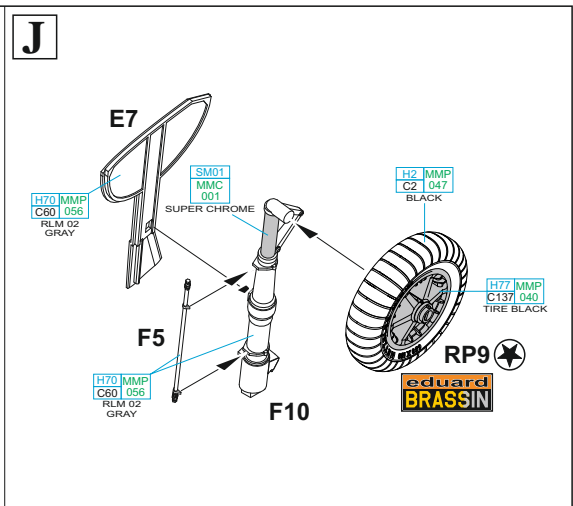
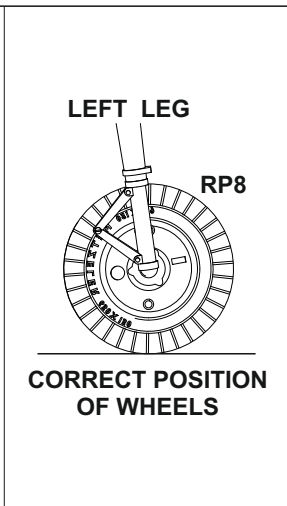
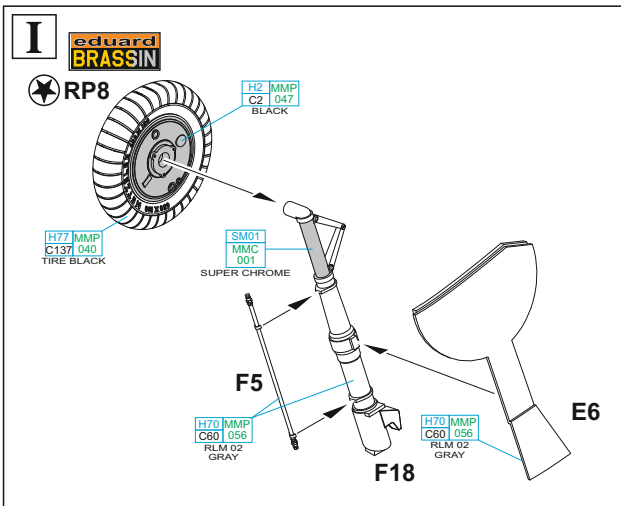
FOR OPEN ENGINE COVERS ONLY



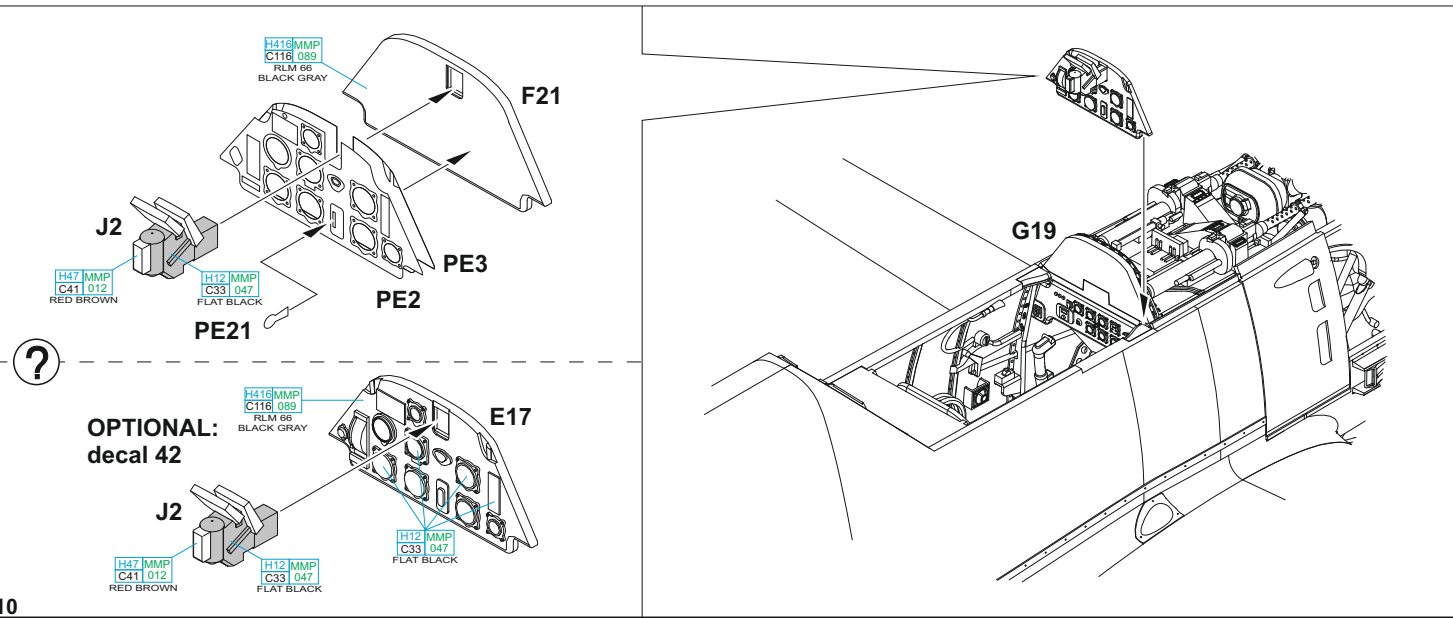
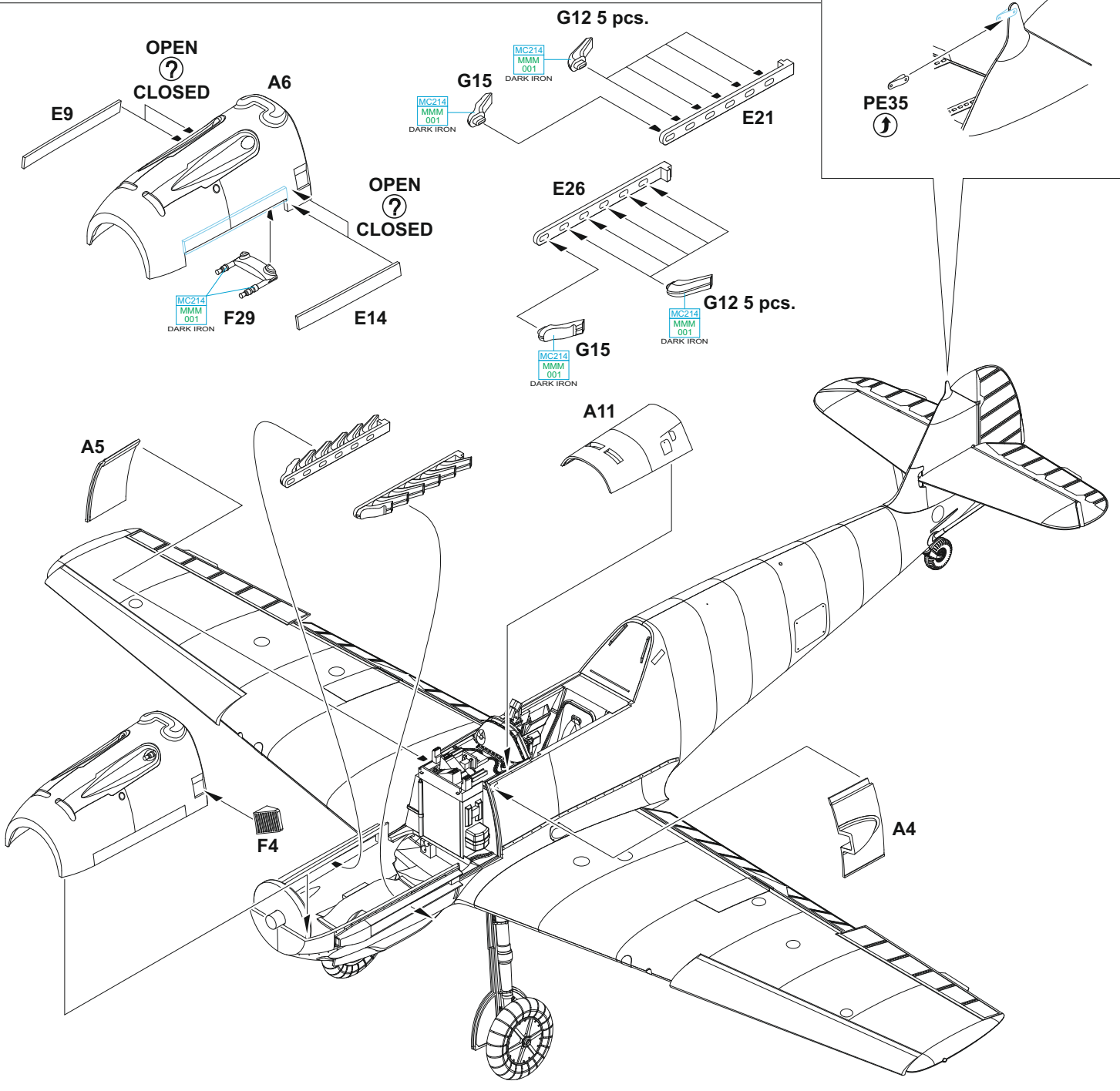
G, E24, G16 - FOR CLOSED ENGINE COVERS ONLY

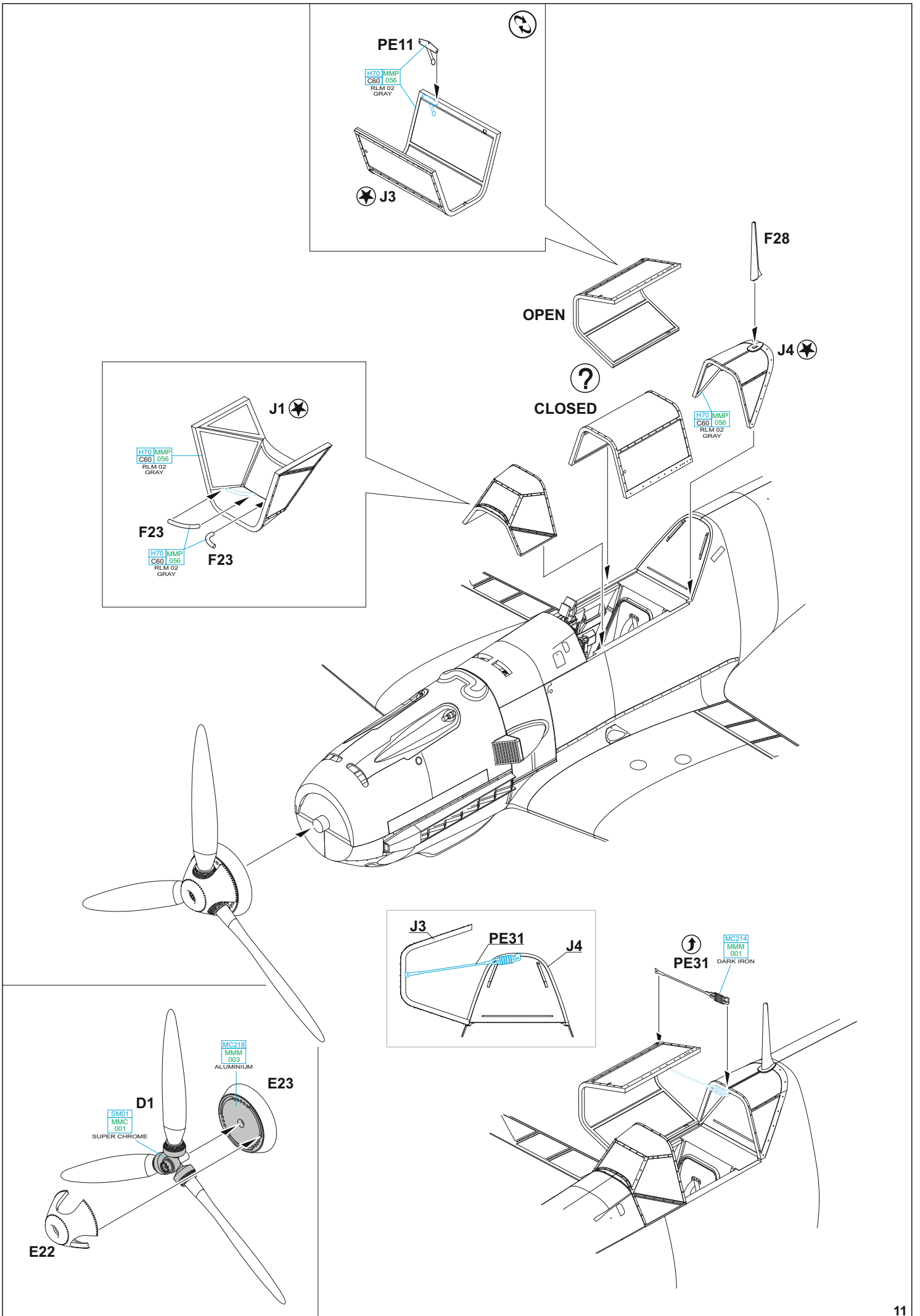






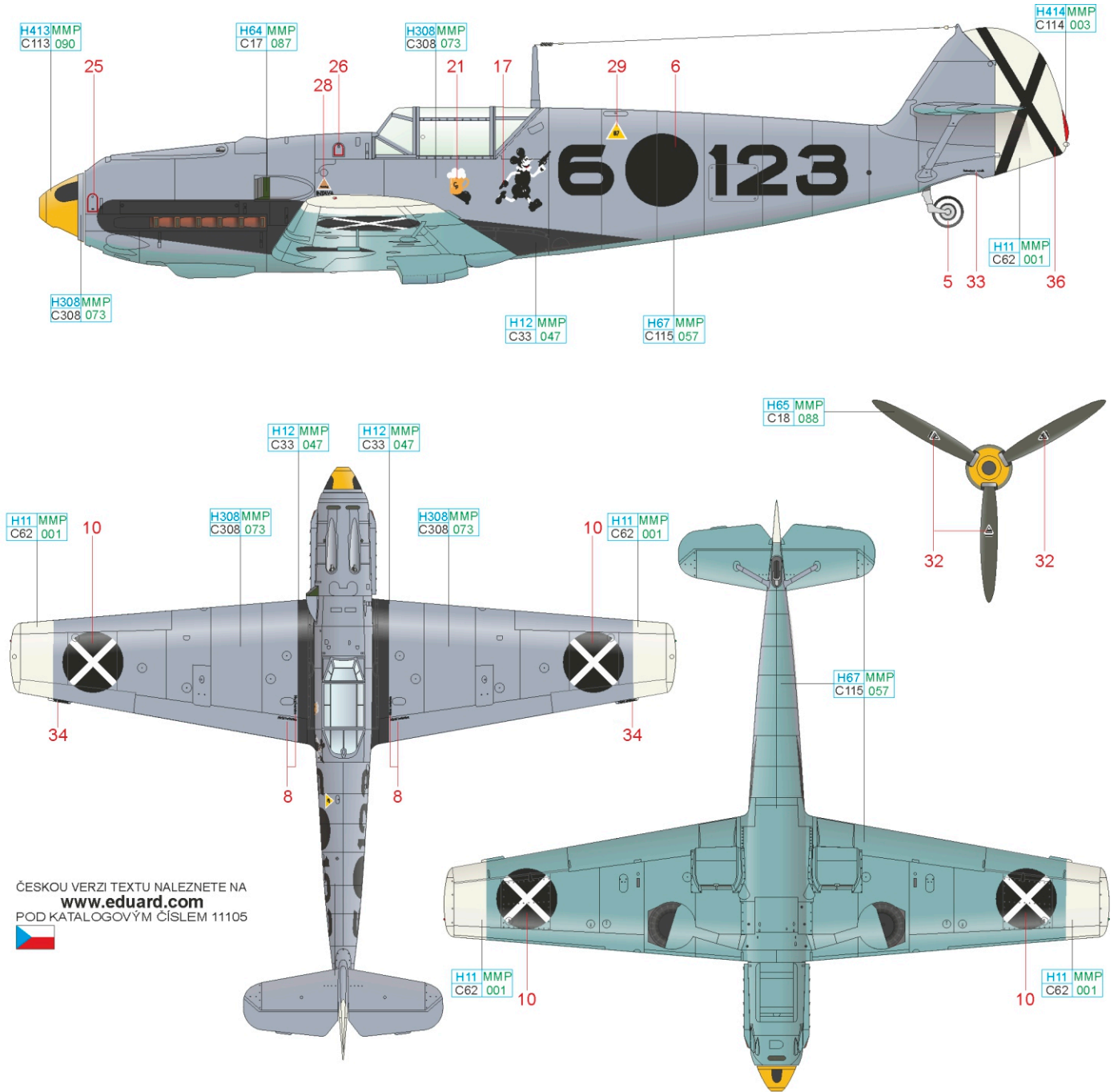
? ALTERNATIVE ASSEMBLY FOR THE CLOSED NOSE.





A Bf 109E-1, flown by Oblt. Hans Schmoller-Haldy, 3. J/88, Spain, 1938

Hans Schmoller-Haldy was sent to Spain just at the end of the war, so it is no surprise he did not score any victory there. His Messerschmitt sported a personal emblem – the overflowing beer glass with the letters 'CP' on it. They stand for Cardinal Puff and refer to the famous beer drinking game originating in the USA during prohibition. It seems likely Schmoller-Haldy was a great fan of both, beer and the game... During the Second World War, he served with JG 54 and recorded 14 aerial victories. Later, he served as a member of Galland's fighter command staff. After the war, Schmoller-Haldy entered service with the post war Bundesluftwaffe with the rank of Brigadier General.



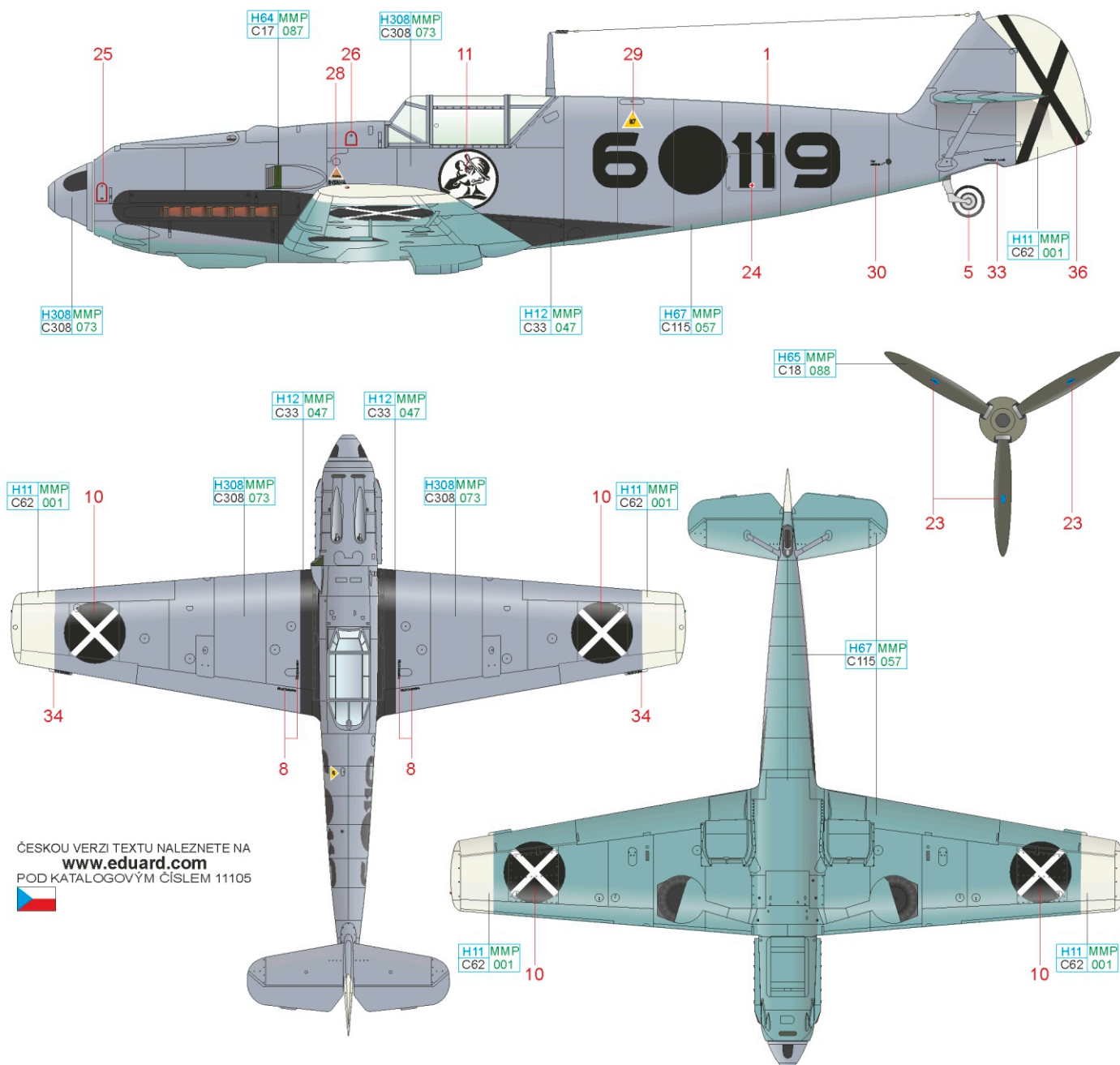
ČESKOU VERZI TEXTU NALEZNETE NA
www.eduard.com
POD KATALOGOVÝM ČÍSLEM 11105



RLM 63	H308MMP C308 073	RLM 71	H64 MMP C17 087	RLM 70	H65 MMP C18 088	RLM 65	H67 MMP C115 057
RLM 23	H414MMP C114 003	WHITE	H11 MMP C62 001	BLACK	H12 MMP C33 047	RLM 04	H413MMP C113 090

B Bf 109E-1, flown by Oblt. Siebelt Reents, CO of 1. J/88, León, Spain, Spring 1939

Aircraft of 1. J/88 sported the emblem known as 'Wooden Eye' (Holzauge) on the port side of the fuselage, and the originator of it was Siebelt Reents. He was also commanding officer of the unit from the 2nd of September, 1938. Reents recorded his only aerial victory in Spain, shooting down a Polikarpov I-16 on February 6th, 1939. During the Second World War, he served mainly as a ground attack pilot and flew with a wide variety of units and areas, including Africa. There, he attacked ground targets flying a Bf 109F-4 Trop with tremendous success. He, for example, seriously damaged a British destroyer, hitting it with two bombs. From the spring of 1943, he acted as commanding officer of the training unit II./SG 101 located at the Paris-Orly airfield. After this break he returned to operational flying as an interceptor pilot in Romania. Wounded in combat, he returned to training new attack pilots. Reents passed away at the ripe old age of 101, on 11th of May 2012.



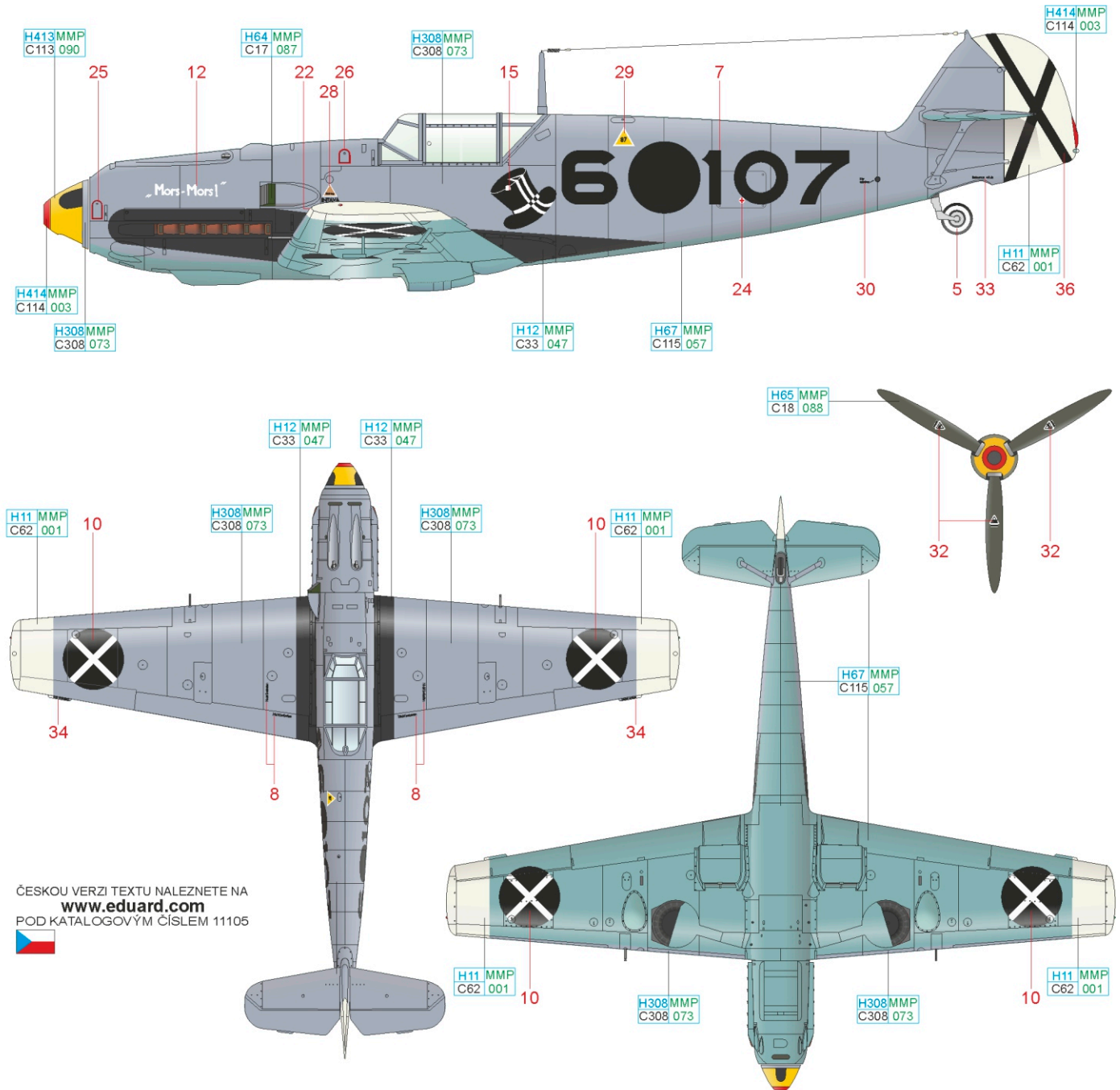
ČESKOU VERZI TEXTU NALEZNETE NA
www.eduard.com
 POD KATALOGOVÝM ČÍSLEM 11105



RLM 63	H308 MMP C308 073	RLM 71	H64 MMP C17 087	RLM 65	H67 MMP C115 057
WHITE	H11 MMP C62 001	BLACK	H12 MMP C33 047	RLM 70	H65 MMP C18 088

C Bf 109E-3, 2. J/88, Catalunyan Front, Spain, Early 1939

This aircraft, with the typical Top Hat marking of 2.J/88, also sported the inscription 'Mors-Mors!' on the port side of the engine cowling. The slogan is a slang answer to the ancient Hamburg greeting 'Hummel Hummel!'. It is unknown, whether this part of the greeting was painted on the starboard side of the cowling. It is also unknown, which pilot flew this plane, but the above mentioned greeting indicates, it was probably a man with some connections to the famous harbour city. It is unfortunately not clear which colour was applied on the upper surfaces of Bf 109s serving in Spain. Some sources insist on light green-grey RLM 63, while others support the darker RLM 62 as the correct colour. Undersurfaces were certainly RLM 65.



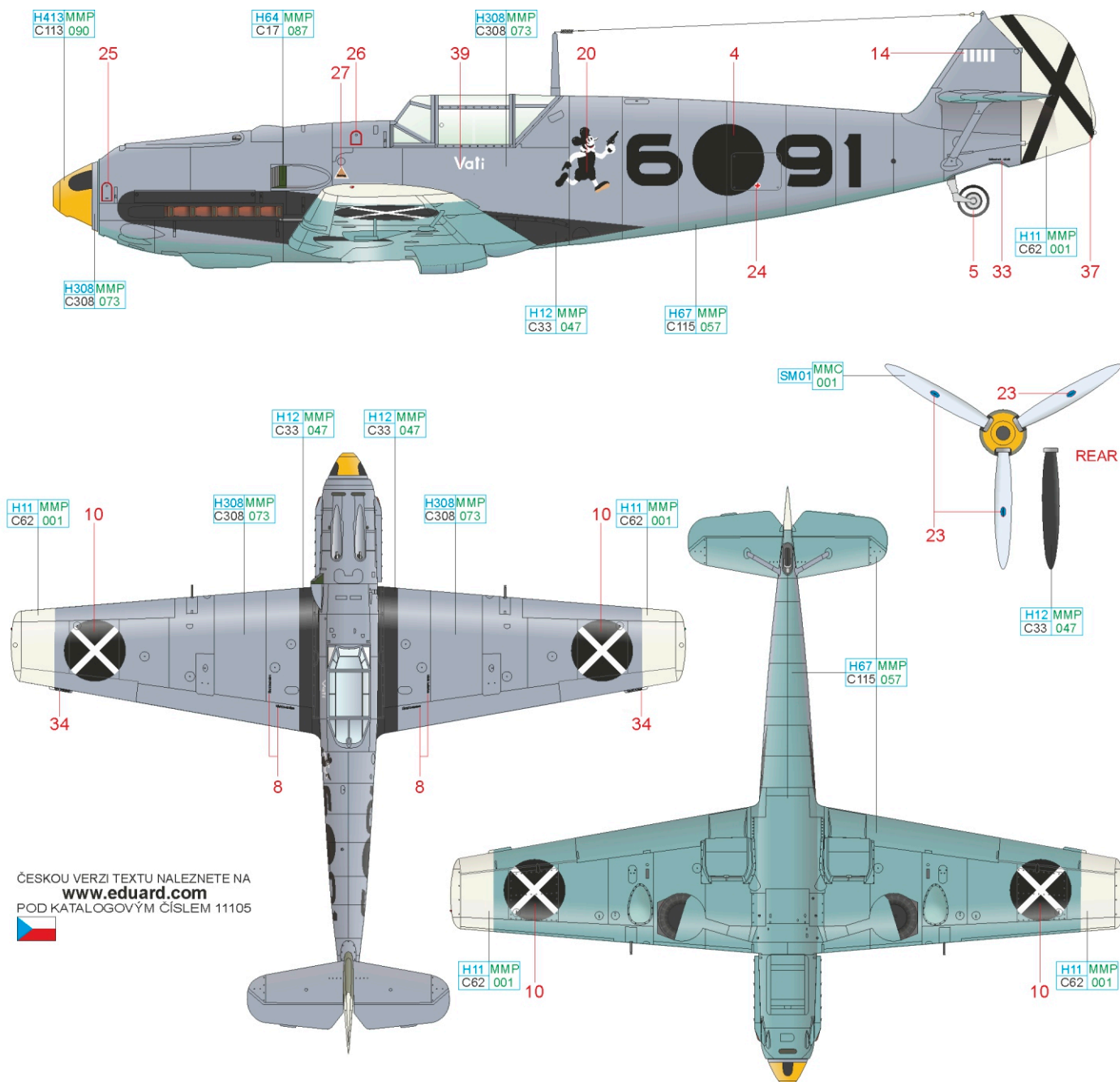
ČESKOU VERZI TEXTU NALEZNETE NA
www.eduard.com
 POD KATALOGOVÝM ČÍSLEM 11105



RLM 63	H308 MMP C308 073	RLM 71	H64 MMP C17 087	RLM 70	H65 MMP C18 088	RLM 65	H67 MMP C115 057
RLM 23	H414 MMP C114 003	WHITE	H11 MMP C62 001	BLACK	H12 MMP C33 047	RLM 04	H413 MMP C113 090

D Bf 109E-3, flown by Uffz. Herbert Schob, 3. J/88, Barcience, Spain, March 1939

Herbert Schob was born on May 12th, 1915 in Leipzig and joined the army in April 1934. At his own request, he joined the Luftwaffe, underwent fighter pilot training, and was assigned to JG 134 in August 1936. From September 1st, 1938, he served with the Legion Condor, and during this part of his service, he gained five kills (plus one unconfirmed). Upon his return to Germany, he was assigned to LG 1, and later, he flew with several Zerstörergeschwader. In June 1944, he was awarded the Knight's Cross and in November of the same year he was transferred to JG 300. Over the course of the Spanish Civil War and World War Two, he gained a total of 28 kills. He died on April 5th, 1981 in Frankfurt.

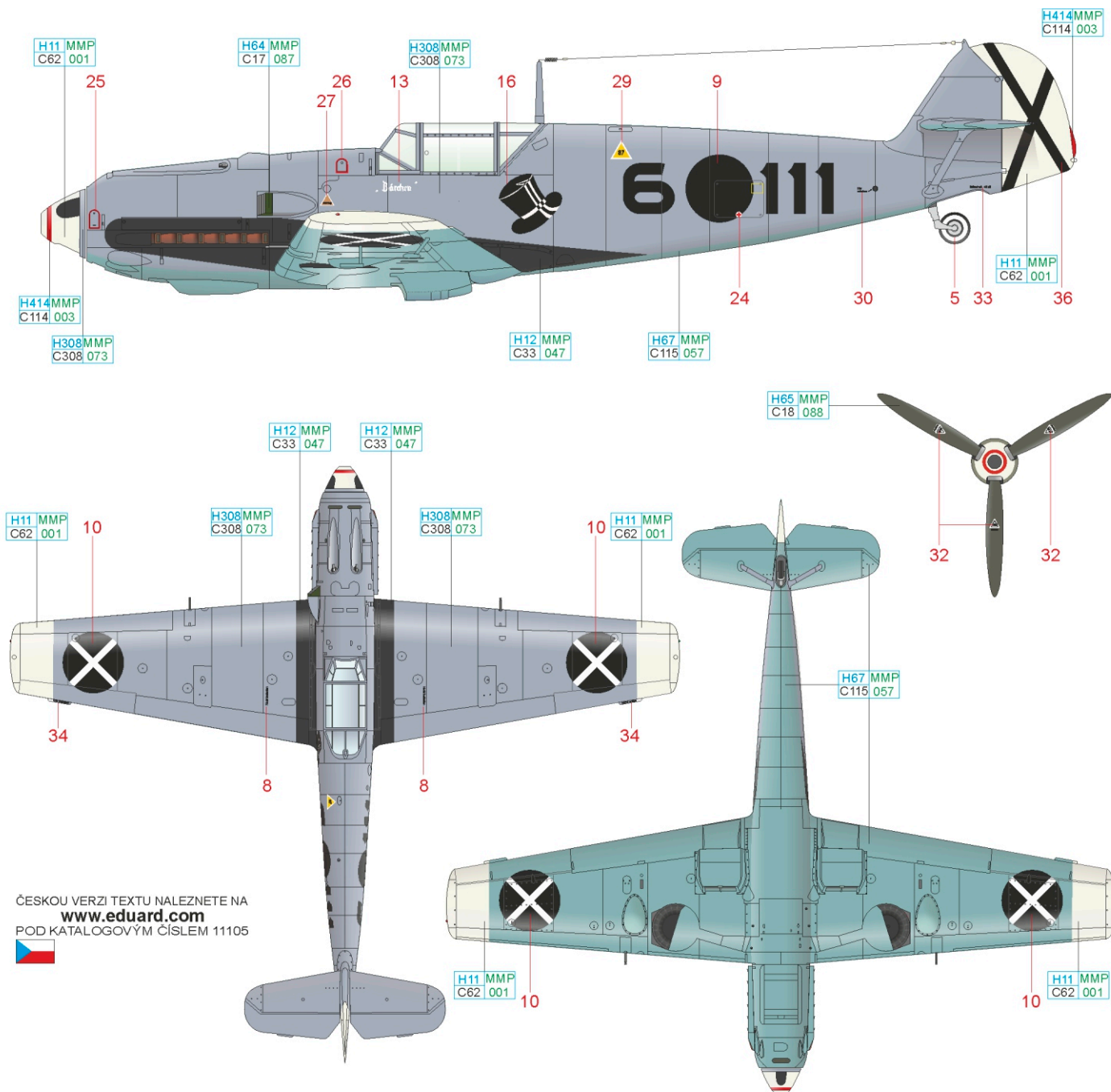


ČESKOU VERZI TEXTU NALEZNETE NA
www.eduard.com
 POD KATALOGOVÝM ČÍSLEM 11105

RLM 63	H308MMP C308 073	RLM 71	H64 MMP C17 087	RLM 65	H67 MMP C115 057
WHITE	H11 MMP C62 001	BLACK	H12 MMP C33 047	RLM 04	H413MMP C113 090
				SUPER CHROME	SM01 MMC 001

E Bf 109E-3, flown by Lt. Werner Ursinus, 2. J/88, La Cenia, Spain, Spring 1939

Lt. Ursinus flew Messerschmitt Bf 109E-3 coded 6-111 with 2. Staffel. Under the windscreen was the inscription Bärchen (Teddy Bear), which is a play on words indicative of the pilot's surname. Ursus is the Latin zoological designation for the bear. Werner Ursinus gained no air-air victories in Spain, and on his return to Germany, he was assigned to JG 53, where he served as Gruppenadjutant with the II. Gruppe from October 27th, 1940. At the end of August 1941, he took command of Ergänzungsstaffel JG 53. The markings on the aircraft of the 2. Staffel, a black top hat, was applied ahead of the insignia on the side of the fuselage. The Spanish Air Force was still in possession of this airplane in 1943.



ČESKOU VERZI TEXTU NALEZNETE NA
www.eduard.com
 POD KATALOGOVÝM ČÍSLEM 11105



RLM 63	H308 MMP C308 073	RLM 71	H64 MMP C17 087	RLM 70	H65 MMP C18 088
RLM 23	H414 MMP C114 003	WHITE	H11 MMP C62 001	BLACK	H12 MMP C33 047
				RLM 65	H67 MMP C115 057