

A-3D-2 Skywarrior Strategic Bomber

Item No.: 02868

美国A-3D-2“空中武士”攻击机

1/48 scale



READ BEFORE ASSEMBLY:

- This kit is not recommended for inexperienced modelers or for children under 14 years of age
- Study and understand these instructions thoroughly before beginning assembly
- When needed, remove photo-etch parts carefully using a modeling knife or photo etch sprue cutter, being careful not to damage or lose small parts.
- Take extra care in handling photo etch parts in order to avoid injury
- Apply instant cement sparingly to photo etch parts where instructed

- Tools recommended(not included in kit):Plastic and instant cements,sprue cutters,long nose pliers,,modeling knife, small files, tweezers, pin vise & scissors. Soft cloth and sandpaper will also assist in construction
- Glue and paint are not included in the kit. Use plastic cement and hobby paints only. Color guide for purchasing paint is included in the kit.
- Keep out of reach of small children. They must not be allowed to ingest small parts or handle plastic bags in any way.

装配之前仔细阅读

- 小心用模型锉刀锉平所有零件表面的注射浇口。
- 小心用刀片切下蚀刻片零件，不要遗失小零件。
- 用强力快干胶水粘合蚀刻片零件和金属轴。过量的快干胶水使用可能导致可动零件会粘住，小心涂胶。
- 取蚀刻片时应特别注意安全，防止利刃划伤手指。
- 某些零件表面需贴水上贴纸，请选择在装配的同时进行。
- 推荐模型工具(自备)：胶水，水口剪刀，长咀钳，刀片，锉刀，镊子钳，钻，剪刀，瞬间快干胶。
- 软布同砂纸同时也应该是必备工具。
- 请使用塑料胶水和油漆，模型内不含。
- 谨防小孩吸吮塑料零件，或者将塑料袋套在头上，制作时应将套材远离小孩接触。
- 本产品不适合14岁以下没有经验的模型爱好者。

水贴纸的使用:

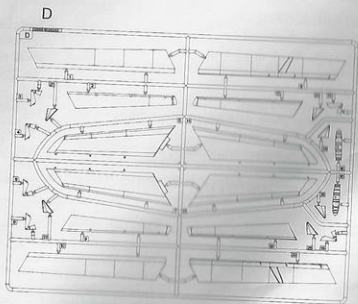
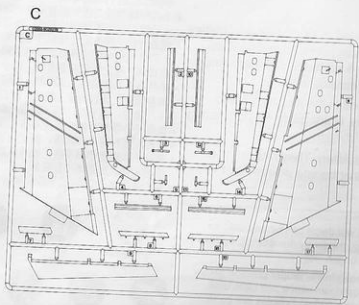
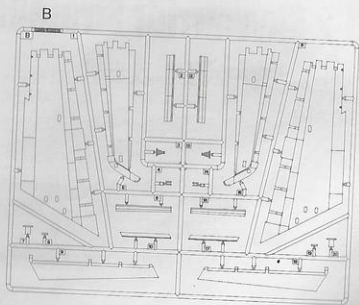
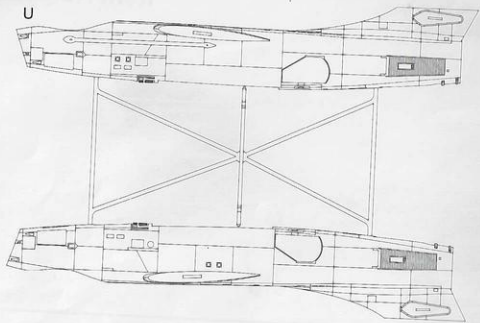
1. 从水贴纸上剪下印花;
2. 将印花放入温水中浸10秒, 然后放在干净布上.
3. 拿着印花纸板将印花移到模型上;
4. 手指蘸水将印花移到适当的位置;
5. 用软布轻压印花直至水干, 汽泡消失.

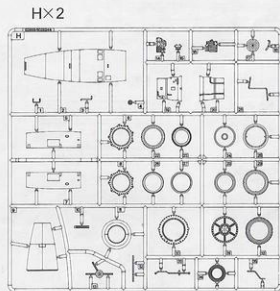
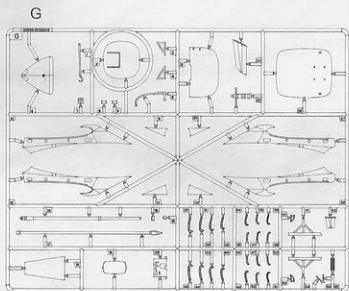
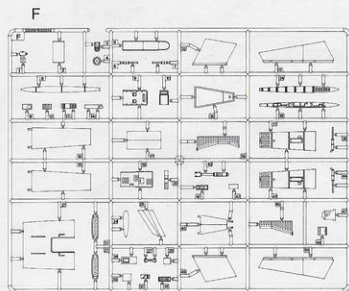
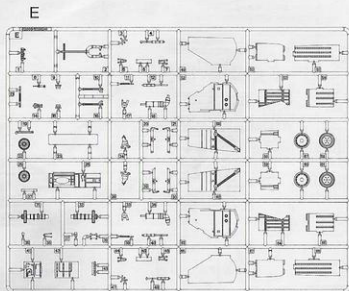
DECAL APPLICATION:

1. Cut decals from sheet as needed
2. Dip the decal in warm water for about 10 seconds and then place on soft clean cloth.
3. Hold the decal backing sheet edge and gently slide the decal onto the model in its proper position.

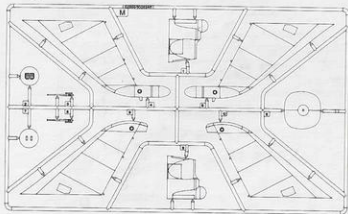
4. While still wet, decal can be adjusted for better fit on model by dampening it gently with your finger.
5. When placed in the proper position gently press decal down with a soft cloth until excess water and air bubbles are gone.
6. Allow decal to dry completely before handling model



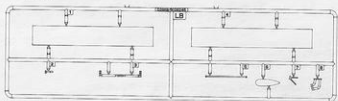




M



LB



PE-A



PE-B



PE-C



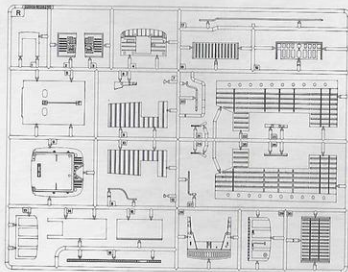
前輪 × 1
Nose tyre × 1



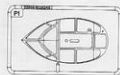
后輪 × 2
Main tyre × 2



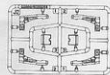
R



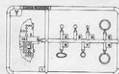
P1



J2x2



Y



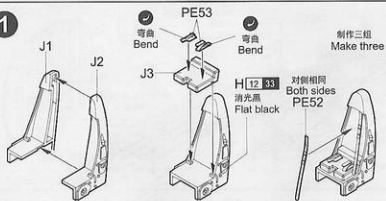
水貼
Decal



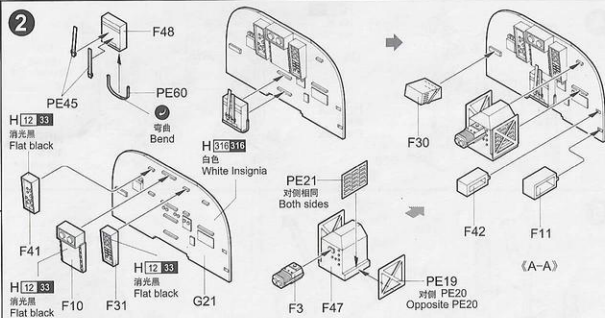
不用的部件:
Unused parts

D3 D4 D6 D8
D13 D19 E35
F5 F25 G22
LB7 Y7 Y5 Y8
PE55 PE56
PE57 PE58

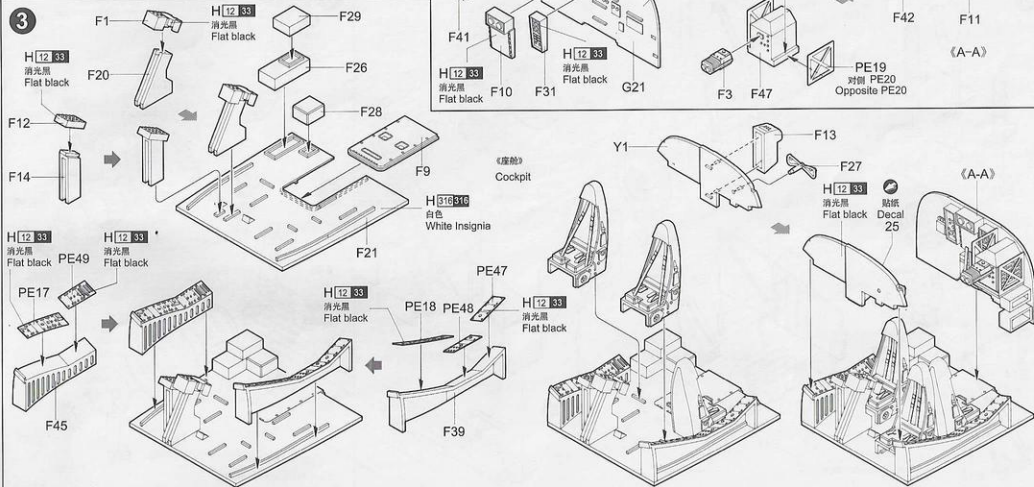
1



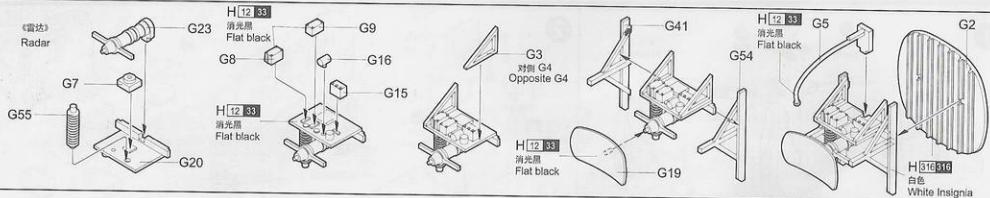
2



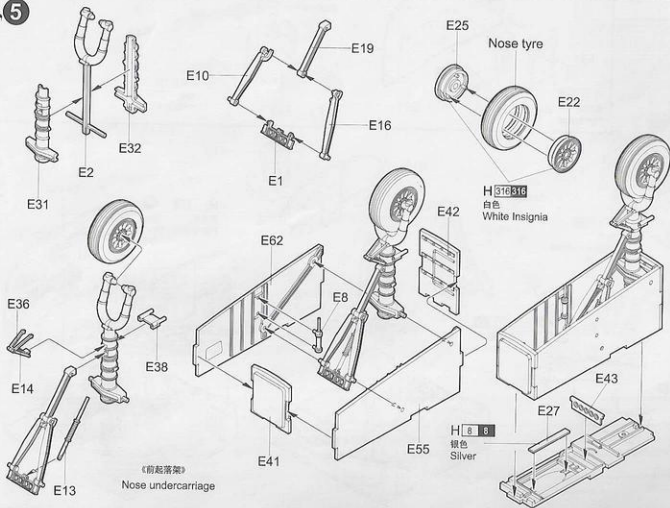
3



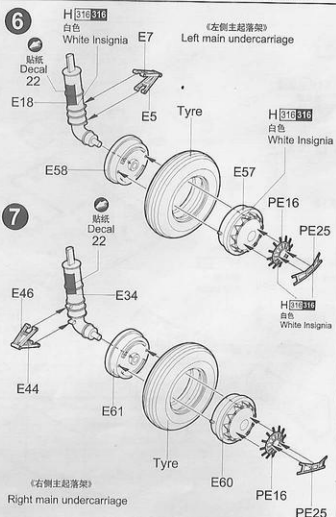
4

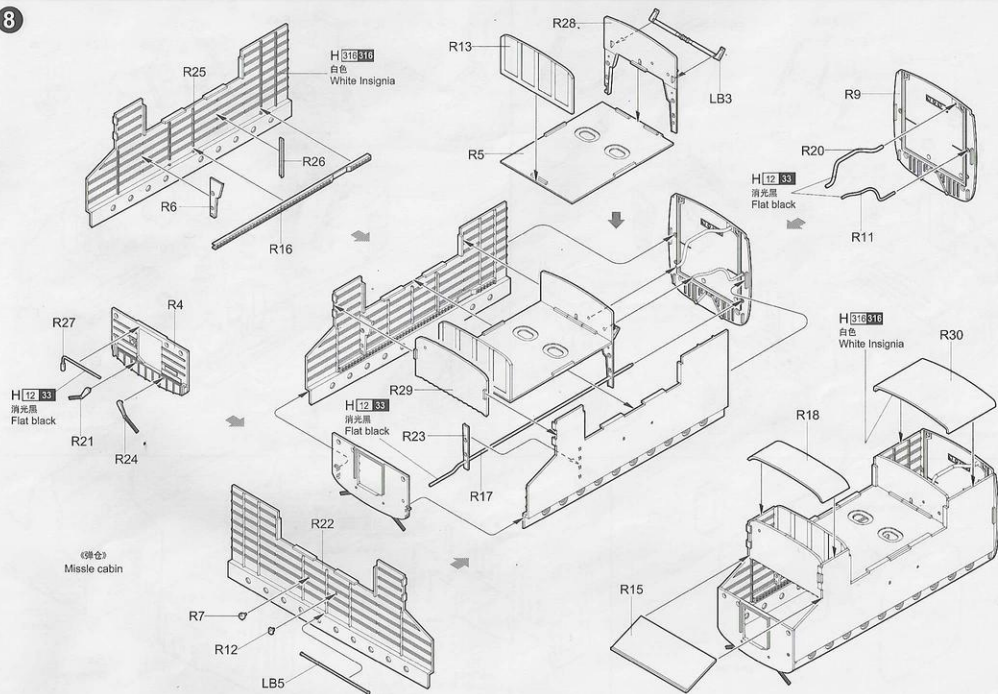


5

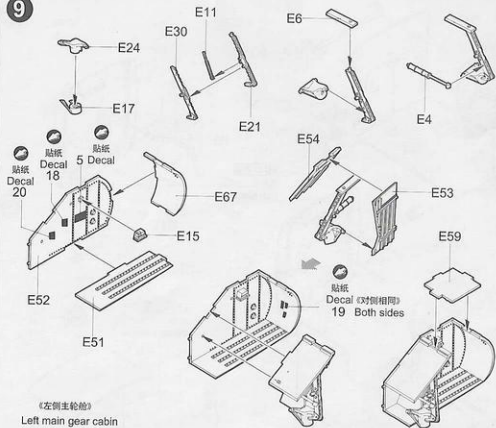


6

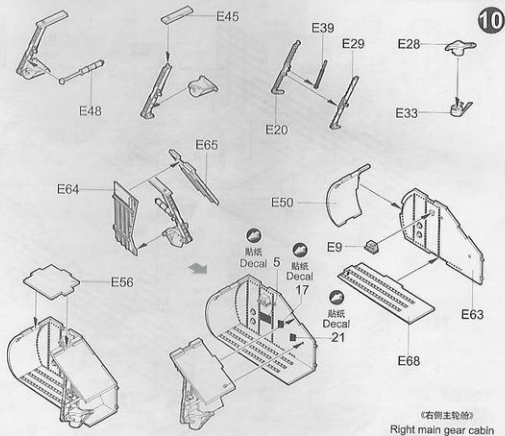




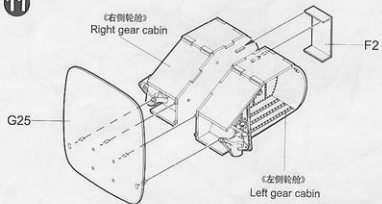
9



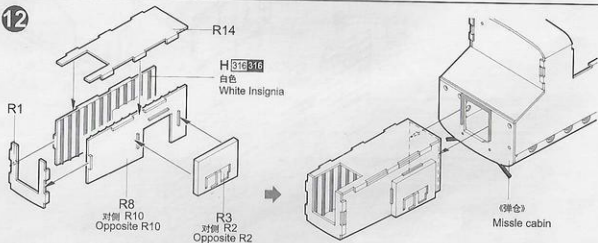
10



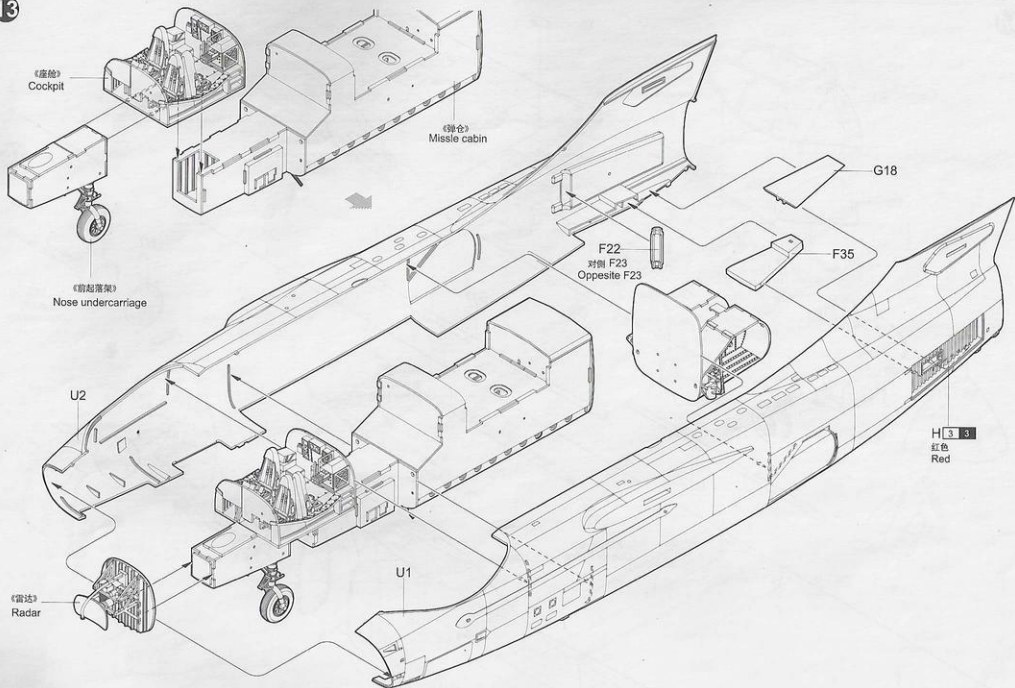
11



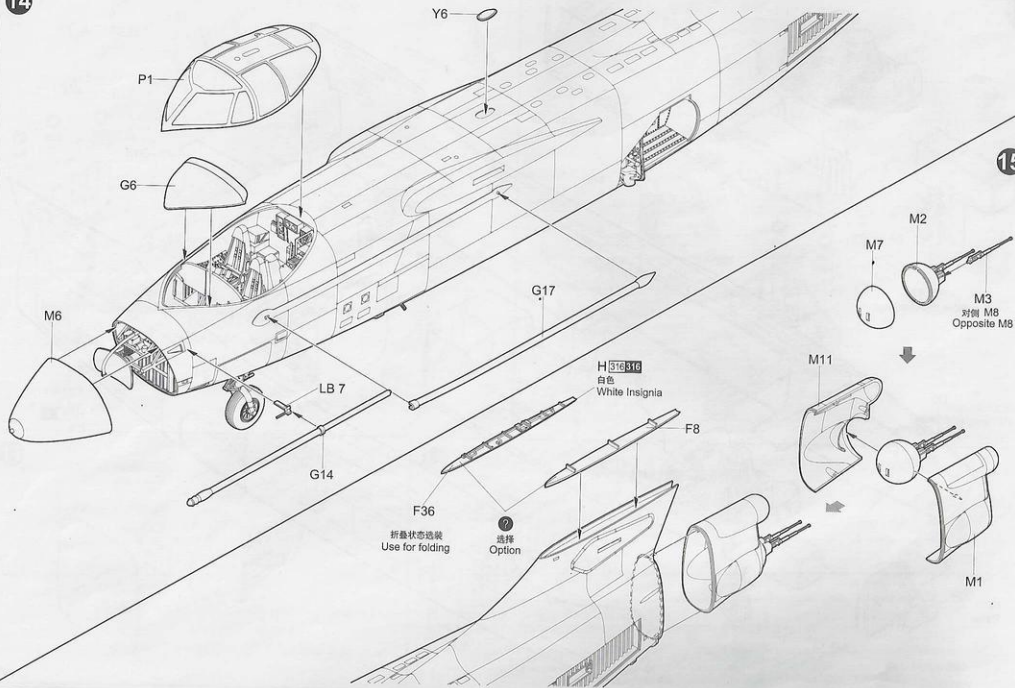
12



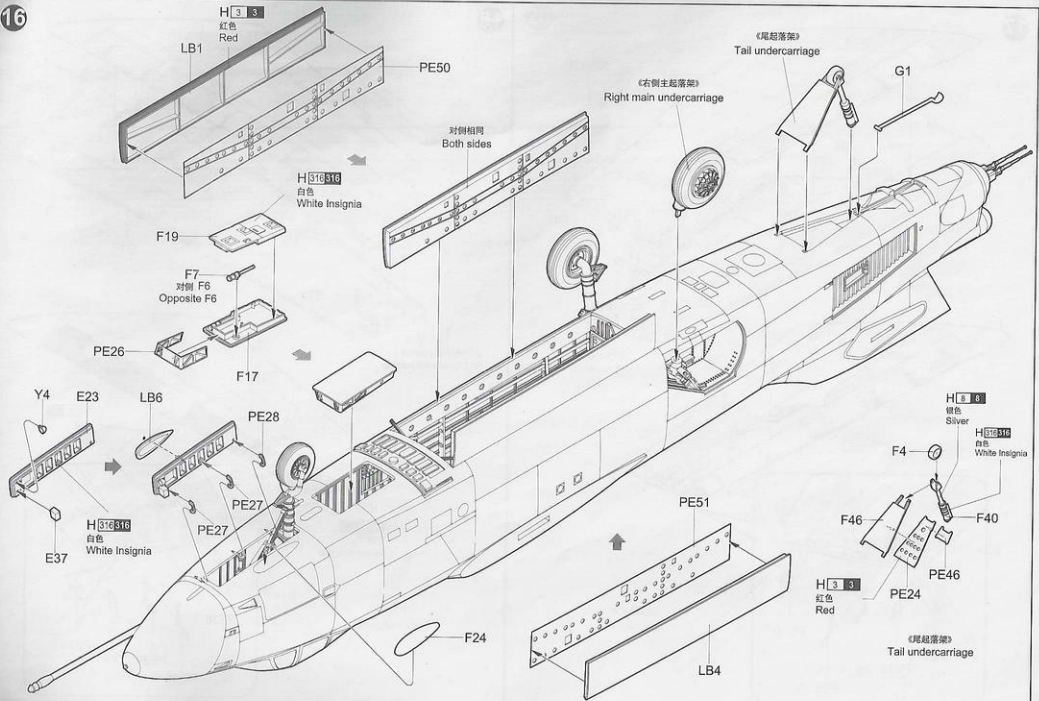
13



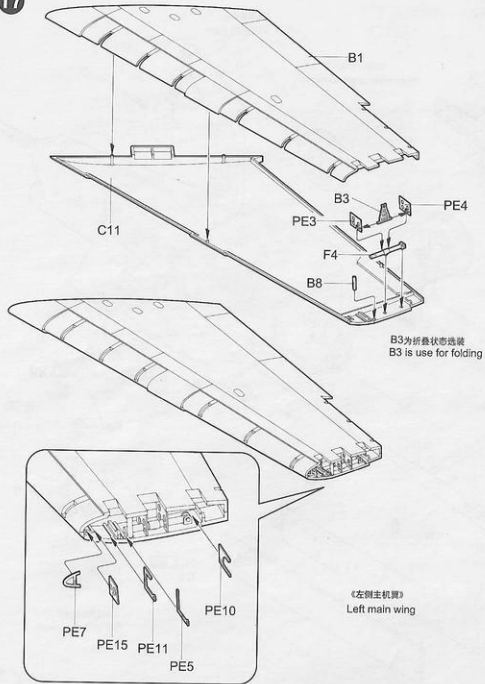
14



15

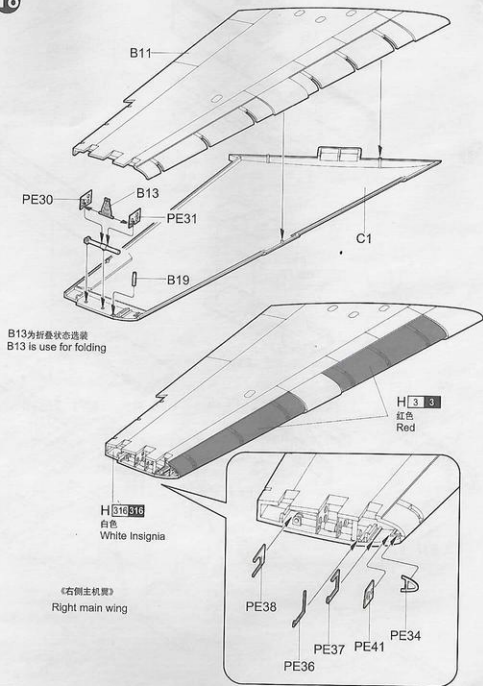


17



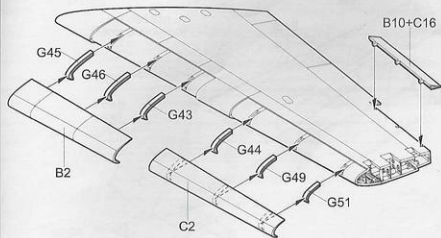
02868

18

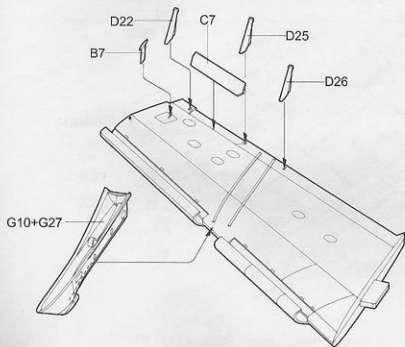


12

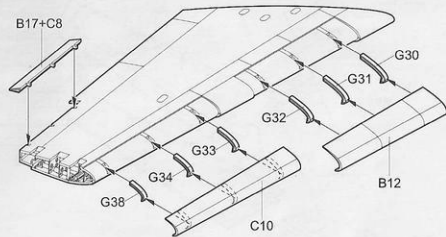
19



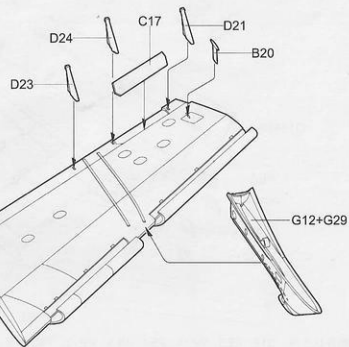
《左侧主机翼》
Left main wing



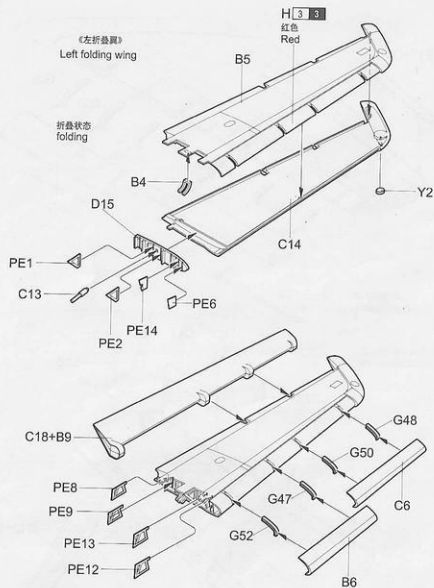
20



《右侧主机翼》
Right main wing



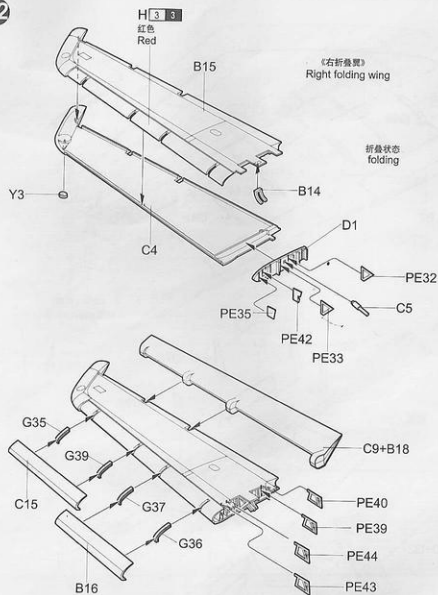
21



展开状态时, C13、PE6、PE14、PE8、PE9、PE12、P13 不用。
C13、PE6、PE14、PE8、PE9、PE12、P13 don't use when open.

02868

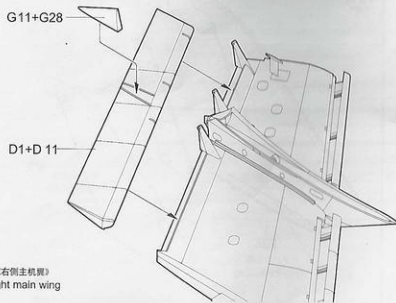
22



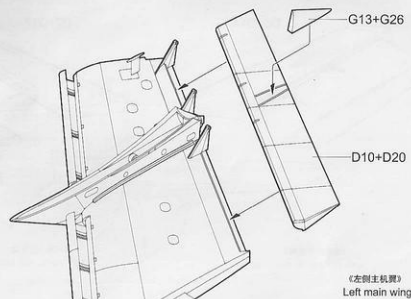
展开状态时, C5、PE35、PE42、PE39、PE40、PE43、P44 不用。
C13、PE35、PE42、PE39、PE40、PE43、P44 don't use when open.

14

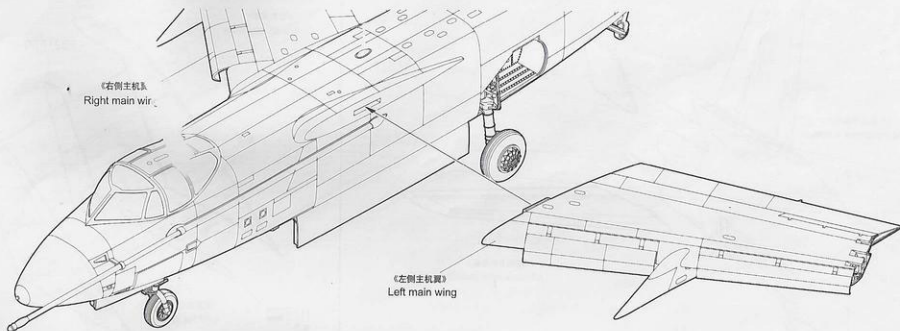
23



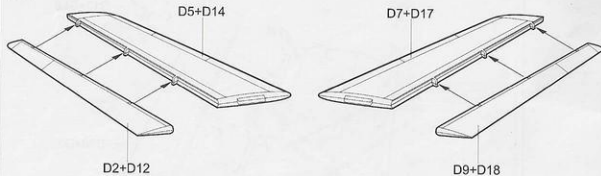
24



25



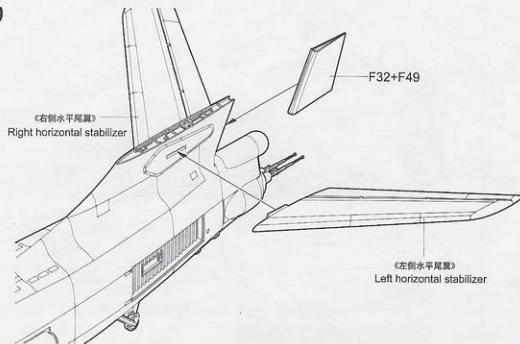
26



《左侧水平尾翼》
Left horizontal stabilizer

《右侧水平尾翼》
Right horizontal stabilizer

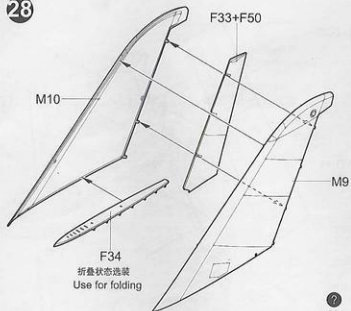
27



《右侧水平尾翼》
Right horizontal stabilizer

《左侧水平尾翼》
Left horizontal stabilizer

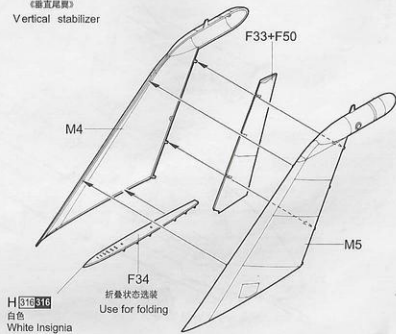
28



F34
折叠状态选装
Use for folding

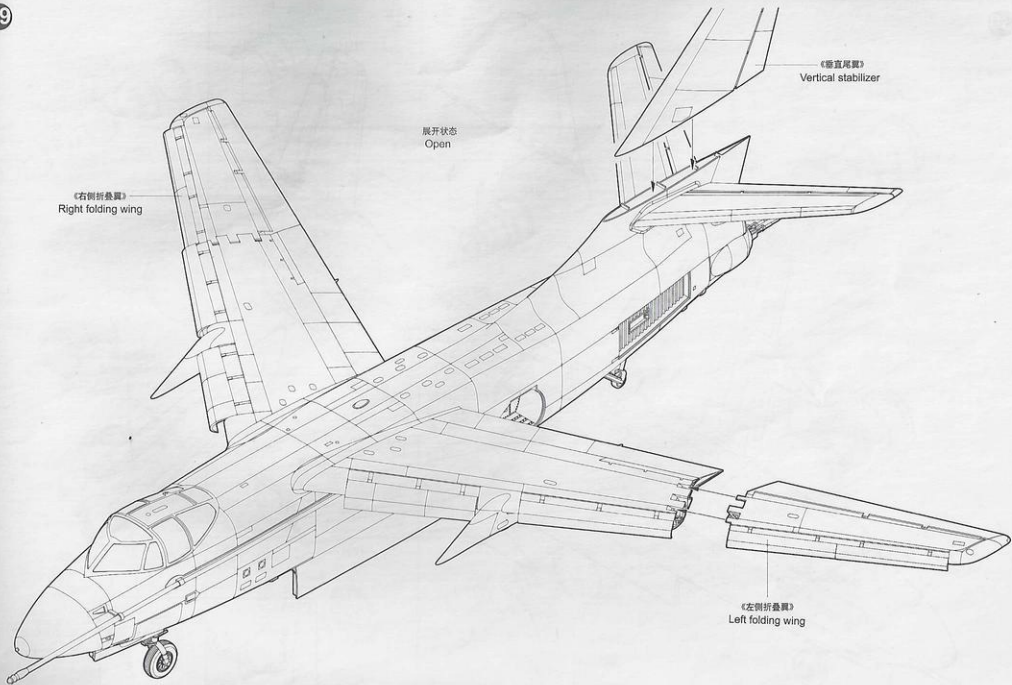
②
选择
Option

《垂直尾翼》
Vertical stabilizer



H36316
白色
White Insignia

F34
折叠状态选装
Use for folding



折叠状态
Folding

《右侧折叠翼》
Right folding wing

G40

G53

《左侧折叠翼》
Left folding wing

对侧相同
Both sides

PE59 × 4

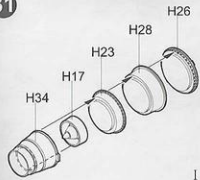


PE29



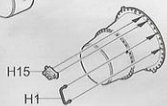
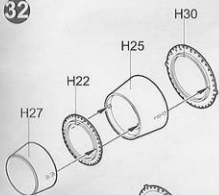
弯曲
Bend

31



I

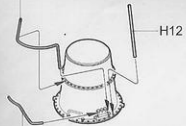
32



H15

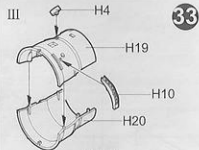
H1

H21



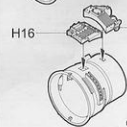
H35

II



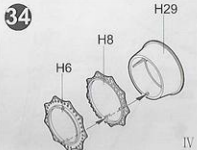
H16

H14



H3

H18



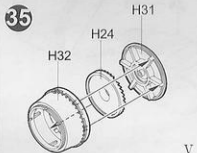
34

H6

H8

H29

IV



35

H32

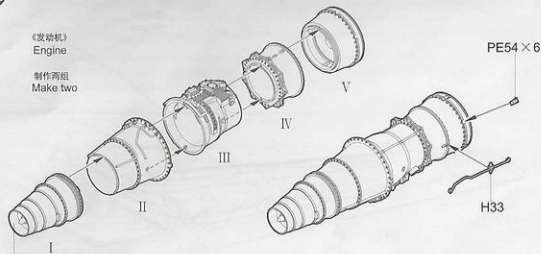
H24

H31

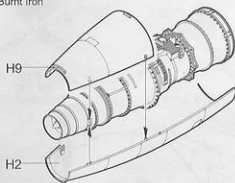
V

36

《发动机》
Engine
制作两组
Make two

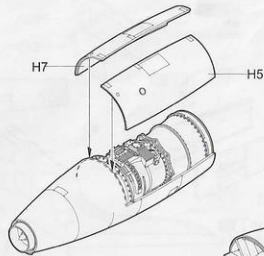


H 76 61
烧铁色
Burnt Iron



H9

H2



H7

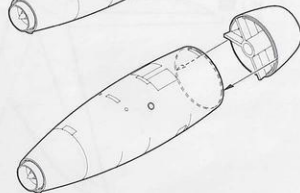
H5

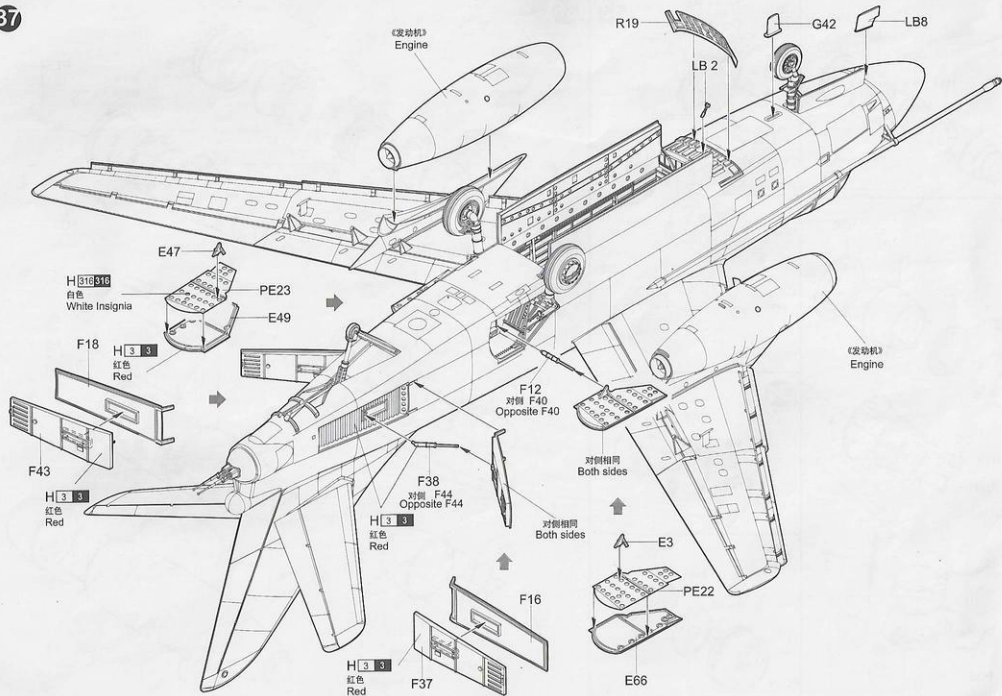


H13

H11

H 316 316
白色
White Insignia





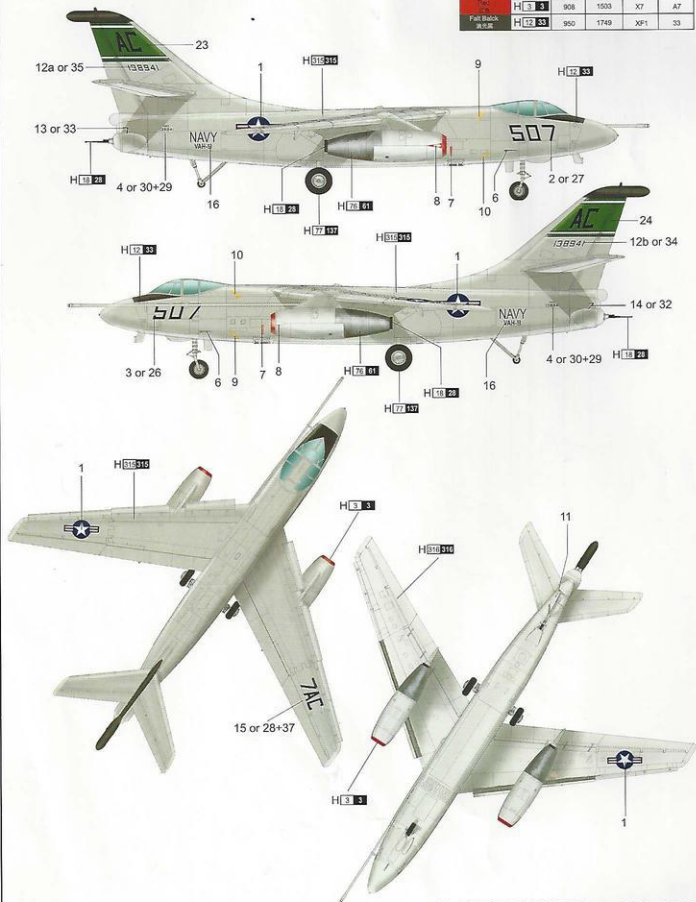
涂装同标贴指示

Painting & Marking guide

US NAVY, VAH-9, A3D-2, 7/AC (BuNo. 138941)

PAINT REFERENCE COLOUR

Color	Mr.Hobby	Vallejo	Model Master	Tamiya	Humbrol
The black 黑色	H[77] 137	--	--	--	--
Matte black 哑光黑	H[15] 28	--	--	--	--
White insignia 白色	H[11] 316	991	1745	X2	32
Light Gulf 浅灰	H[11] 315	843	1730	--	A43
Dark grey 深灰色	H[11] 314	863	1795	X16	53
Red 红色	H[3] 3	908	1503	X7	A7
Felt Black 亮黑	H[12] 33	950	1749	XF1	33



H[] AQUEOUS HOBBY COLOR ■ Mr. COLOR