



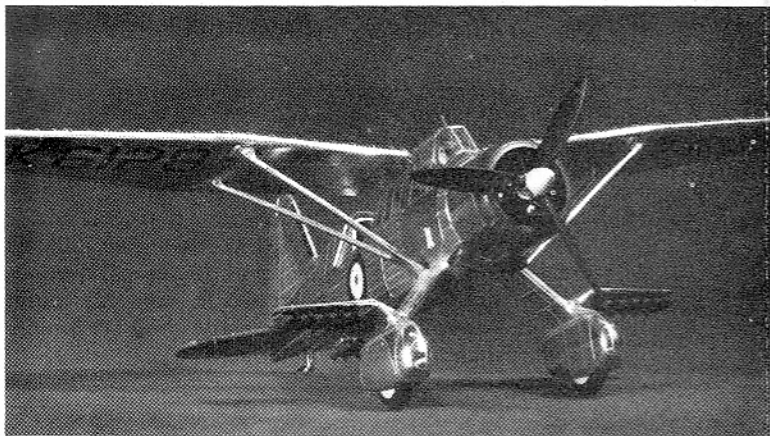
COPYRIGHT - HAWK 1968

MADE AND PRINTED IN USA



Most  
Trusted  
Name  
In  
Modeling

Hawk Model Company  
Chicago, Illinois, 60656



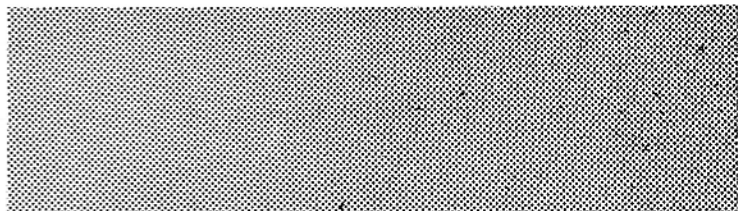
AUTHENTI-PLATED  
WESTLAND MK. II

# LYSANDER

The Westland Lysander II was powered by a 905 h.p. Bristol Perseus XII 9-cylinder engine driving an 11 ft. 2 in. diameter 3-blade propeller. Wingspan is 50 ft., length 30 ft. 6 in. Empty weight was 4,160 lbs. Loaded weight was 6,015 lbs. Maximum speed at sea level was 206 m.p.h.

Flown for the first time on 15 June 1936, the Lysander became squadron active in June 1938. The markings on the decal sheet of this kit will enable you to build the prototype Lysander, K6128, or the operational Lysander 421 of the Royal Canadian Air Force.

Designed for Army support, the "Lizzie" proved herself capable of a multitude of missions that included patrol and artillery spotting, bombing, supply dropping and strafing. One of her most exciting roles was that of flying Commandos behind Nazi lines in France. Here the Lizzie's short field characteristics—takeoff in 245 yards and landing in 330 yards—made her the only machine available capable of carrying good sized loads into short fields.



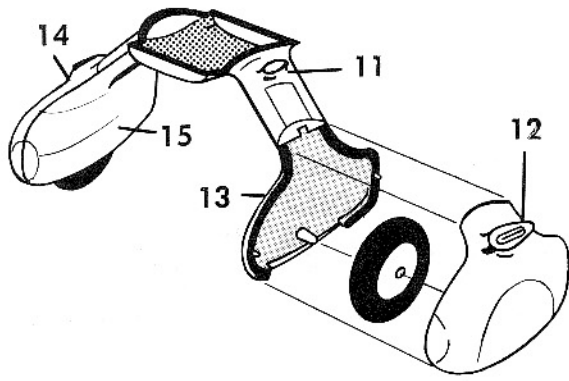
## READ THIS CAREFULLY

Glue will not hold to a chrome plated surface—you must scrape away all plating on glue joints. We recommend the use of liquid cement and brush applicator rather than tube cement. However, tube glues can be used if care is taken. Do not handle the model excessively—oils from your hand may stain the aluminized finish. Study the instructions carefully and use enamel paints only.



## PAINT SCHEME

Cockpit interior	gray
Crew figures:	
Suits	tan
Helmets	brown
Gloves, shoes	black
Life jackets	orange
Belts, straps	gray
Machine gun, ammunition cases, bombs, propeller	black
Propeller tips, spinner	yellow
Engine crankcase	gray
Engine cylinders	silver
Exhaust stack and forward section of cowl	dark gray/brown

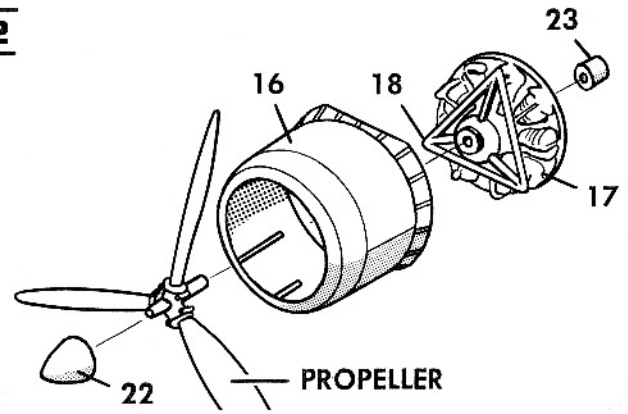


**1**

Glue the landing gear parts together as shown. Do not put glue on the wheel hole if you want them to turn.

Pegue las partes del tren de aterrizaje, como se muestra. No le ponga pegamento a los orificios de las ruedas si quiere que éstas giren.

Collez ensemble les pièces d'atterrisseur comme montré. Ne mettez pas de la glu sur le trou de la roue si vous voulez qu'elle tourne.



**2**

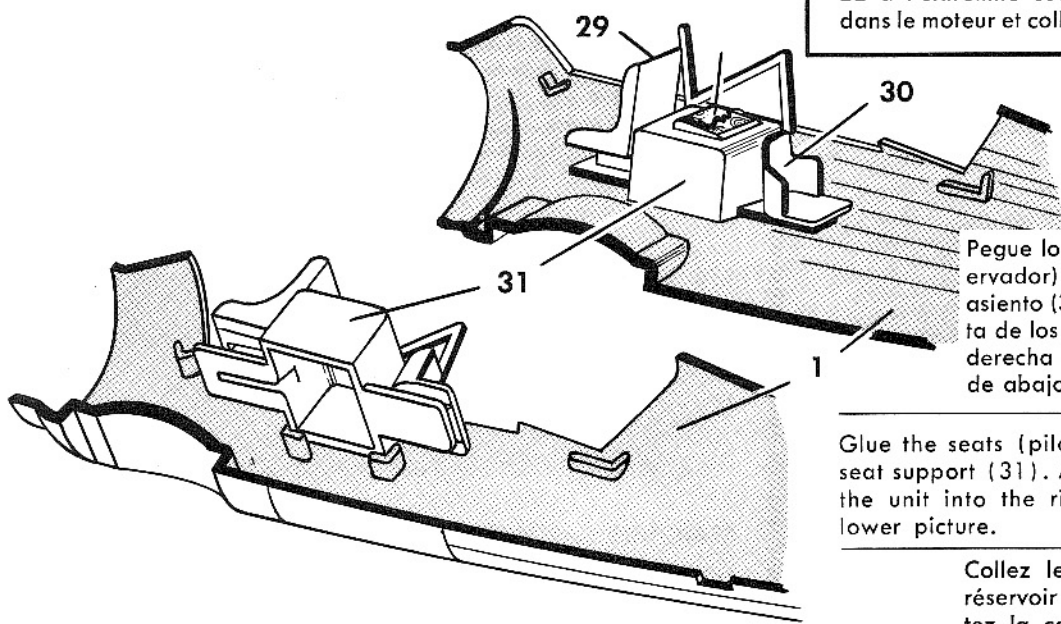
**PROPELLER**

Glue 18 to the motor (17) as shown. Glue motor into the cowl (16) pushing it forward as far as it will go. Glue 22 to the short end of the propeller. Now slip the propeller through the motor and glue 23 to the propeller shaft.

Pegue el 18 al motor (17), como se muestra. Pegue el motor dentro de la cubierta del motor, empujándolo hacia adelante todo cuanto vaya. Pegue el 22 al extremo corto de la hélice. Ahora deslice la hélice a través del motor y pegue el 23 al eje de la hélice.

Collez 18 au moteur (17) comme montré. Collez le moteur au capot (16) en le poussant aussi loin en avant qu'il y va. Collez 22 à l'extrémité courte de l'hélice. Maintenant glissez l'hélice dans le moteur et collez 23 à l'arbre d'hélice.

**DECAL MAP**



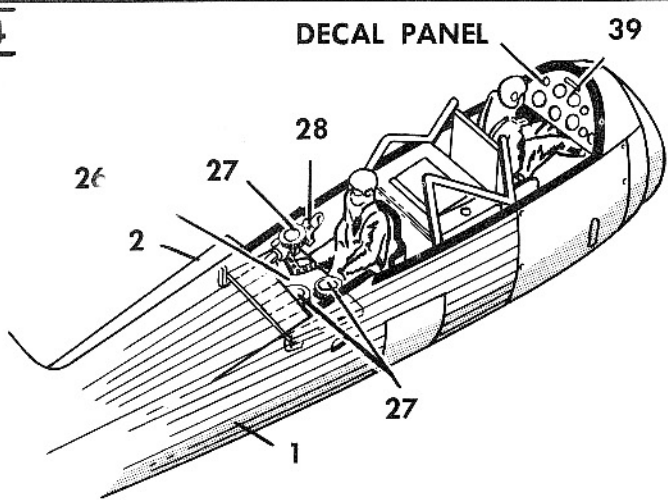
**3**

Pegue los asientos (el 29 del piloto, y el 30 del observador) al tanque de combustible y al soporte de asiento (31). Póngale el mapa calcomanía a la mesa de los planos. Pegue la unidad dentro de la mitad derecha del fuselaje, como se muestra en el gráfico de abajo.

Glue the seats (pilot - 29) (observer - 30) to fuel tank and seat support (31). Add the decal map to the map table. Glue the unit into the right fuselage half (1) as shown in the lower picture.

Collez les sièges (pilote-29) (l'observateur-30) au réservoir à essence et au support de siège (31). Ajoutez la carte décalcomanie à la table de carte. Collez l'assemblage au mi-fuselage droit (1) comme montré dans la gravure inférieure.

**DECAL PANEL**

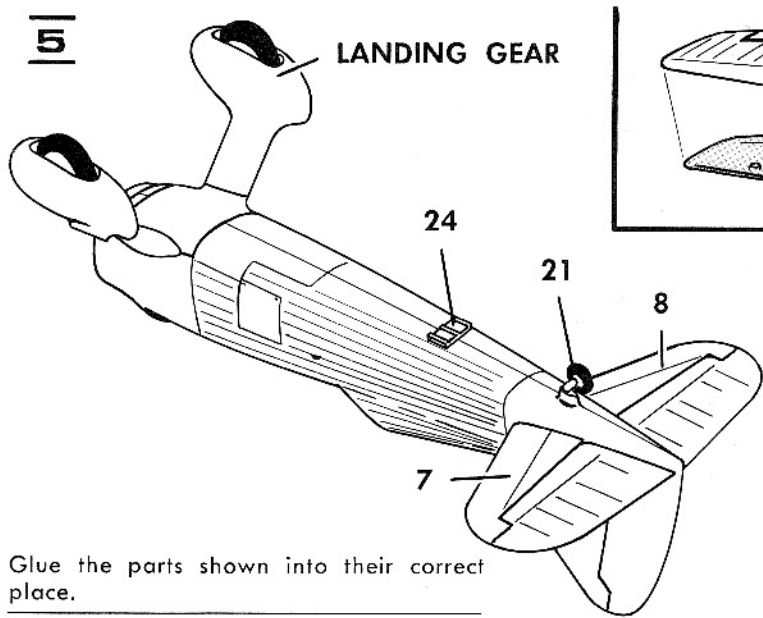


**4**

Glue the fuselage halves together (parts 1 & 2). Apply decal to panel (39) and glue 39 into place. Glue 4 ammunition cases (27) to gun mount (26). Glue 1 ammunition case to the machine gun (28). Glue gun mount into place. Glue machine gun to mount. Glue pilot and observer figures into place.

Pegue las dos mitades del fuselaje. Aplíquelo la calcomanía al panel y péguelo en su lugar. Pegue 4 cajas de municiones al montaje del cañón. Pegue una caja de municiones a la ametralladora. Pegue en su lugar el montaje del cañón. Pegue la ametralladora al montaje. Pegue las figurillas del piloto y del observador en su lugar.

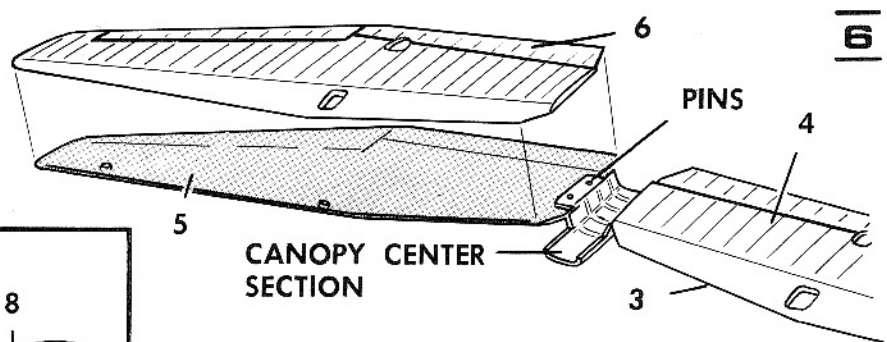
Collez ensemble les mi-fuselages (pièce 1 et 2). Appliquez la décalcomanie au tableau (39) et collez 39 à sa place. Collez les 4 caisses de munitions (27) à la monture de mitrailleuse (26). Collez une caisse de munitions à la mitrailleuse (28). Collez la monture de mitrailleuse à sa place. Collez la mitrailleuse à la monture. Collez le corps de pilote et de l'observateur à leur place.



Glue the parts shown into their correct place.

Pegue en su correstro lugar las partes que se muestran.

Collez les pièces montrés à leur propre place.



Glue the canopy center section (clear plastic) to the upper wing halves (3 and 5). Glue lower wing halves (4 and 6) to upper halves as shown . . . let dry.

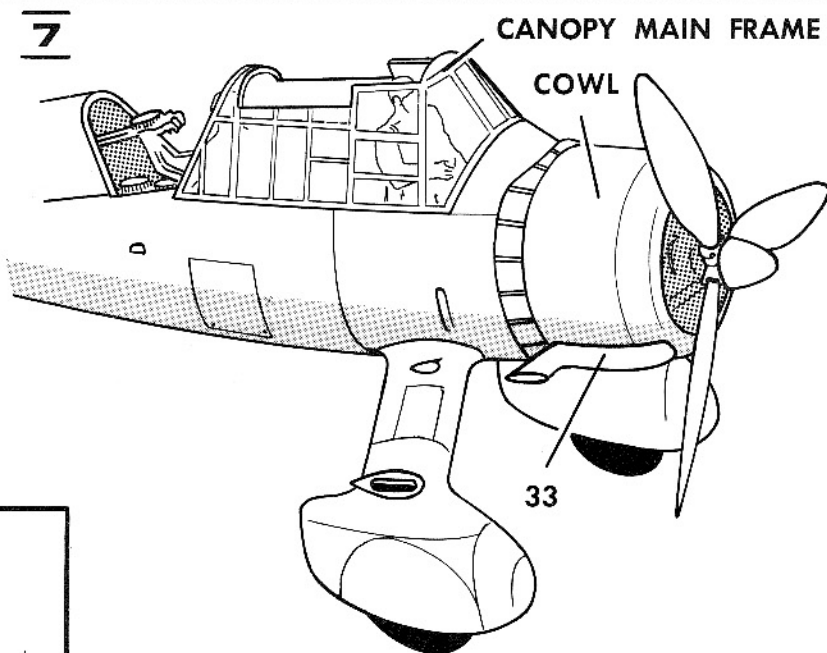
Pegue la sección central de la cabina cerrada transparente a las mitades del ala superior. Pegue las mitades del ala inferior a las mitades del ala superior, como se muestra . . . déjelo secar.

Collez la section centrale de la verrière (plastique transparent) à la partie supérieure des mi-ailes (3 et 5). Collez la partie inférieure des mi-ailes (4 et 6) aux mi-parties supérieures comme montré . . . laissez-les sécher.

Glue the canopy main frame (clear plastic) to the fuselage. Glue the cowl unit to the front of the fuselage. Glue the exhaust stack (33) to the cowl between the lines marked on the cowl.

Pegue el bastidor de la cabina cerrada transparente al fuselaje. Pegue la unidad de la cubierta del motor al frente del fuselaje. Pegue el tubo de exhaustación a la cubierta del motor, entre las líneas marcadas en la cubierta del motor.

Collez le cadre principal de la verrière (plastique transparent) au fuselage. Collez l'assemblage de capot au devant du fuselage. Collez les tuyaux d'échappement (33) au capot entre les lignes marquées sur le capot.



Special thanks for research assistance on this project to: Bob Jones- I.P.M.S., England; Mr. Mitchell- Canadian Consulate, Chicago, Ill.

**8** Serious plastic scale model builders who are interested in furthering their knowledge of the fine art of historic modeling may wish to contact a group devoted to this hobby. Contact:

International Plastic Modelers Society—USA  
3813 Durango Drive  
Dallas, Texas 75220

**ANTENNA**

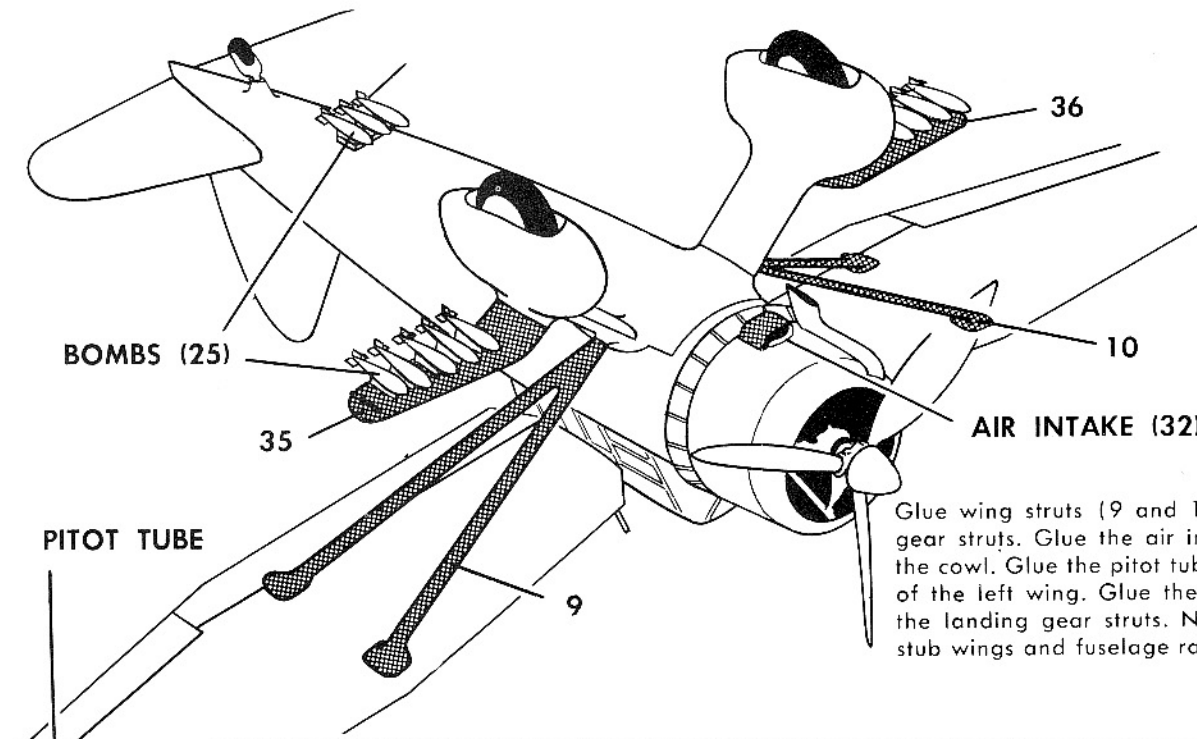
**CANOPY AFT SECTION**

Glue the wing assembly to the canopy main frame as shown. Glue the antenna to the wing. The canopy aft section may be left open (as shown at right) or closed (as shown on box cover).

Pegue el montante del ala al bastidor de la cabina cerrada transparente, como se muestra. Pegue la antena al ala. La sección posterior de la cabina cerrada transparente puede quedar media abierta, como se muestra a la derecha, o cerrada, como aparece en la cubierta de la caja.

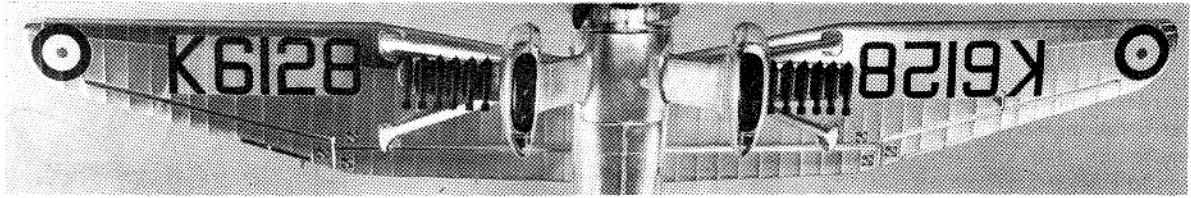
Collez l'assemblage d'aile au cadre principal de la verrière de cabine comme montré. Collez l'antenne à l'aile. L'arrière-section de la verrière de cabine peut être laissée ouverte (comme montré à droite) ou fermée (comme montré sur le couvercle).



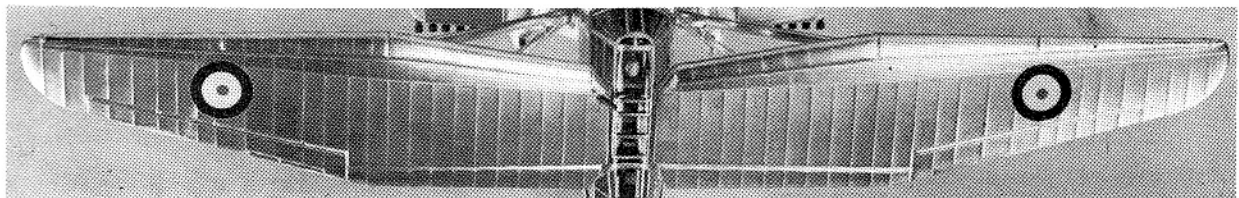


Glue wing struts (9 and 10) to wings and to landing gear struts. Glue the air intake (32) to the bottom of the cowl. Glue the pitot tube into the hole in the bottom of the left wing. Glue the stub wings (35 and 36) to the landing gear struts. Now glue bombs (25) to the stub wings and fuselage rack as shown.

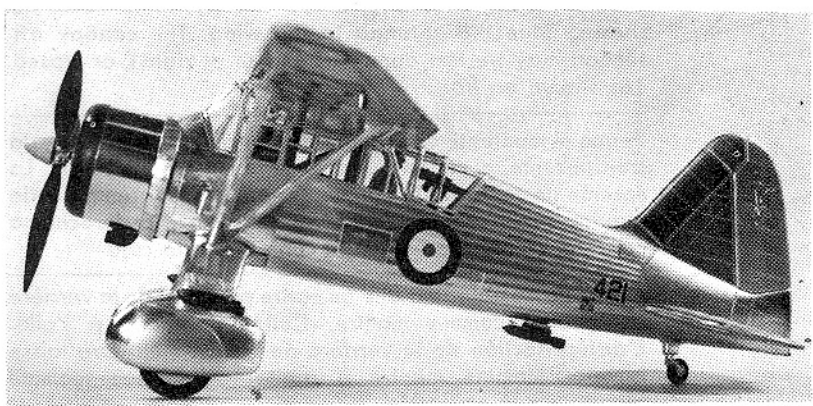
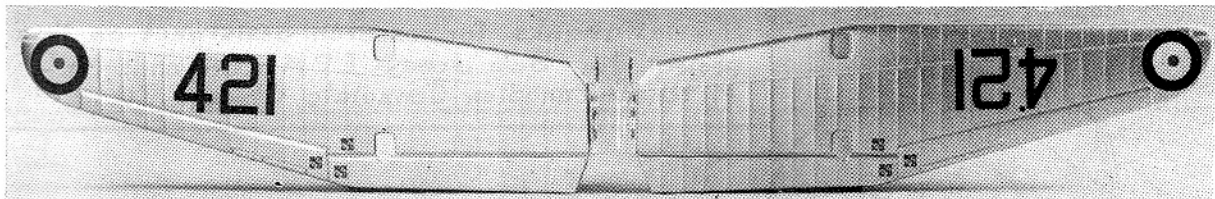
**PROTOTYPE LYSANDER**



Apply decals as shown. The upper wing surface is the same for both versions. See page 1 for fuselage decaling of prototype.




**CANADIAN LYSANDER**




Apply decals on the right side of the fuselage in the same places shown here.

K6128 K6128

421 

421 

K 

6128 

421



K  
6128



421









K6128

K6128