

STAR WARS

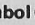
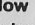
# RETURN OF THE JEDI™

## HAN SOLO'S™ MILLENNIUM FALCON®



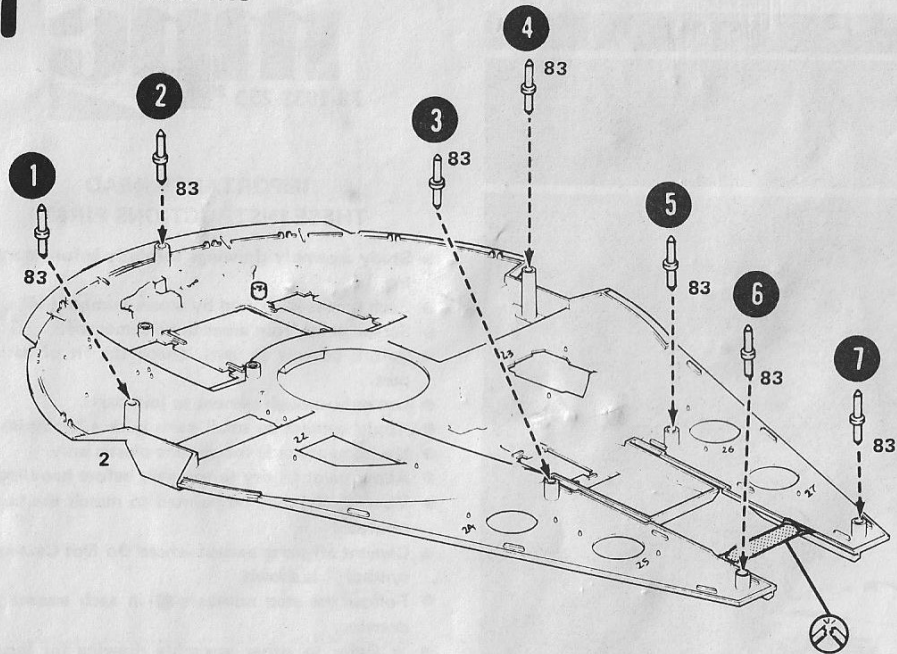
**mpe**  
78-1933-250®

### IMPORTANT! READ THESE INSTRUCTIONS FIRST

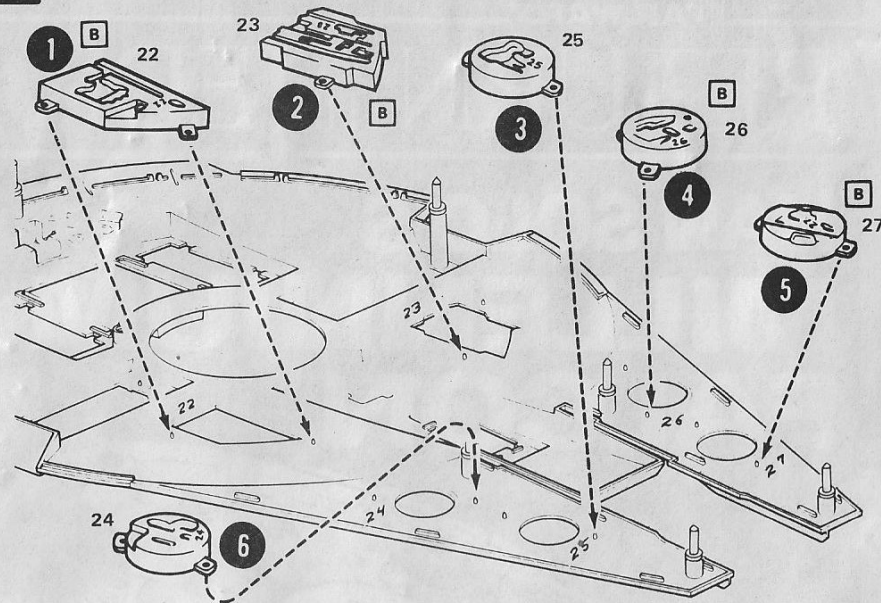
- Study assembly drawings carefully before starting.
- Each part is identified by a part number (14).
- Scrape paint from areas to be cemented.
- Before cement is used, check the fit of each part.
- Use only enough cement to join parts.
- Apply cement to small parts with a toothpick.
- Use cement made for styrene plastic only.
- Allow paint to dry thoroughly before handling.
- Your model may be painted to match the box photos.
- Cement all parts except where Do Not Cement symbol  is shown.
- Follow the step numbers  in each assembly drawing.
- ★ Refer to other assembly drawing for location.
- Refer to last page for decal and painting instructions.

-  ————— STEP NUMBERS
- 32 ————— PLASTIC PART NUMBERS
-  ————— OPTIONAL
-  ————— DO NOT CEMENT
-  ————— CEMENT HERE ONLY
-  ————— REPEAT SEVERAL TIMES
-  ————— REMOVE
- ★ ————— REFER TO ....
-  ————— DECAL

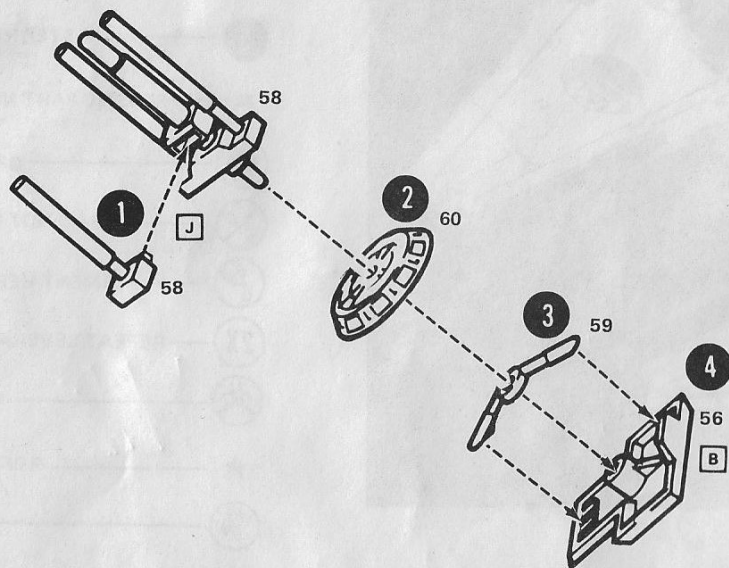
### LOCATING PINS



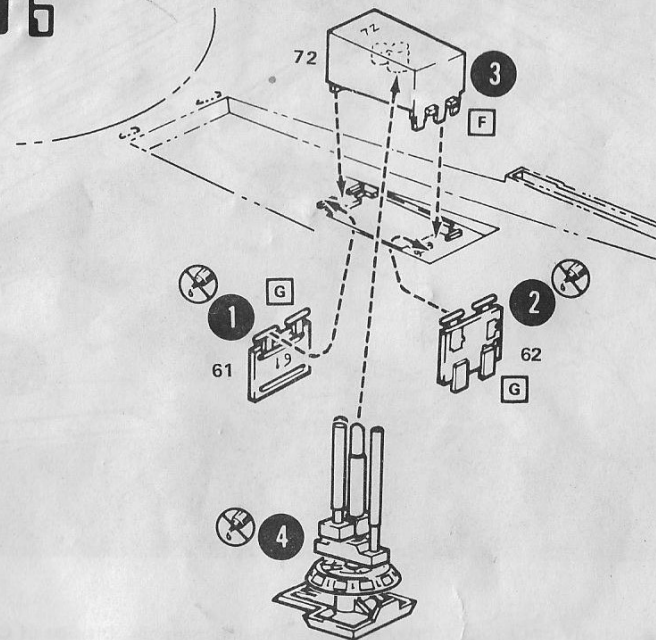
### 2 INSERTS (BOTTOM HALF)



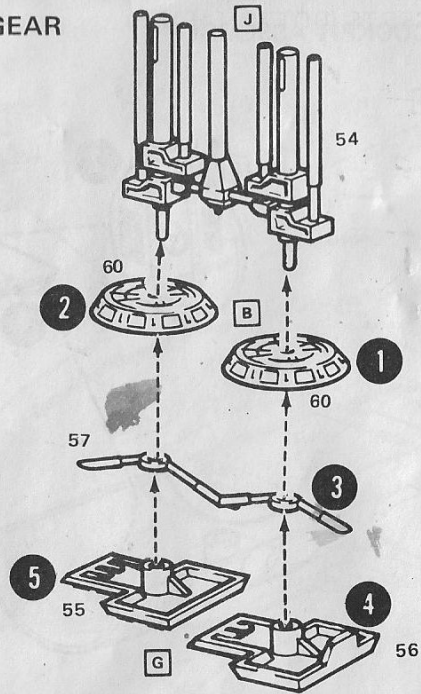
### 3 a FRONT LANDING GEAR ASSEMBLY



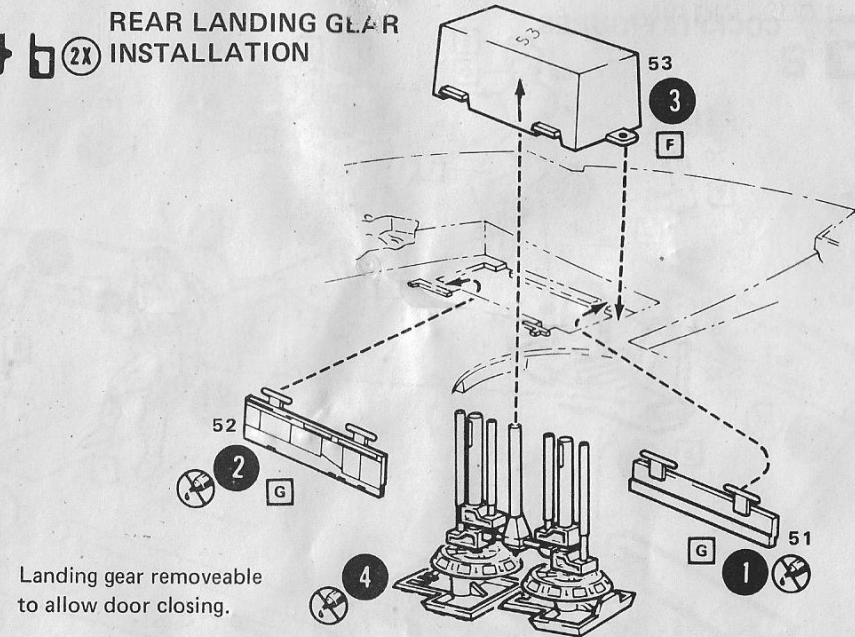
### 3 b FRONT LANDING GEAR INSTALLATION



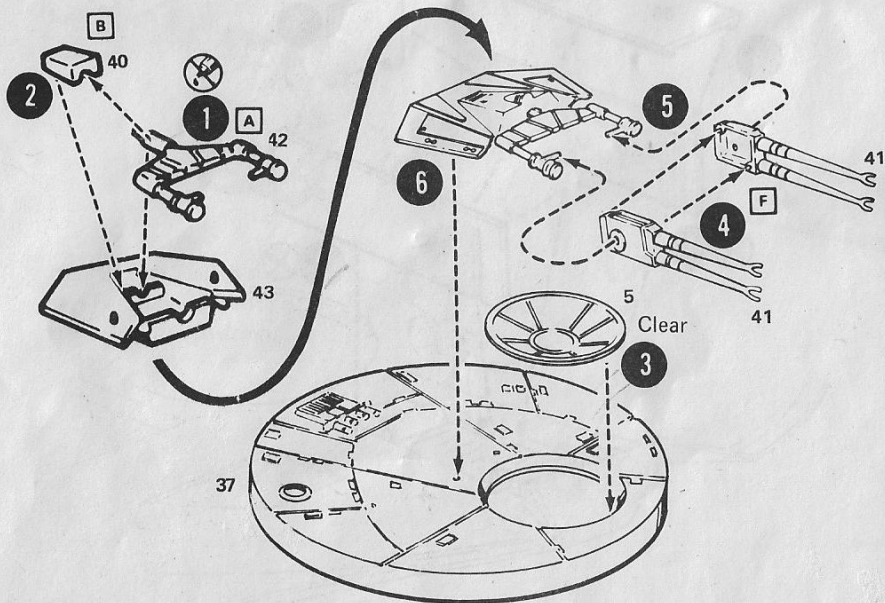
**4 a** (2X) REAR LANDING GEAR ASSEMBLY



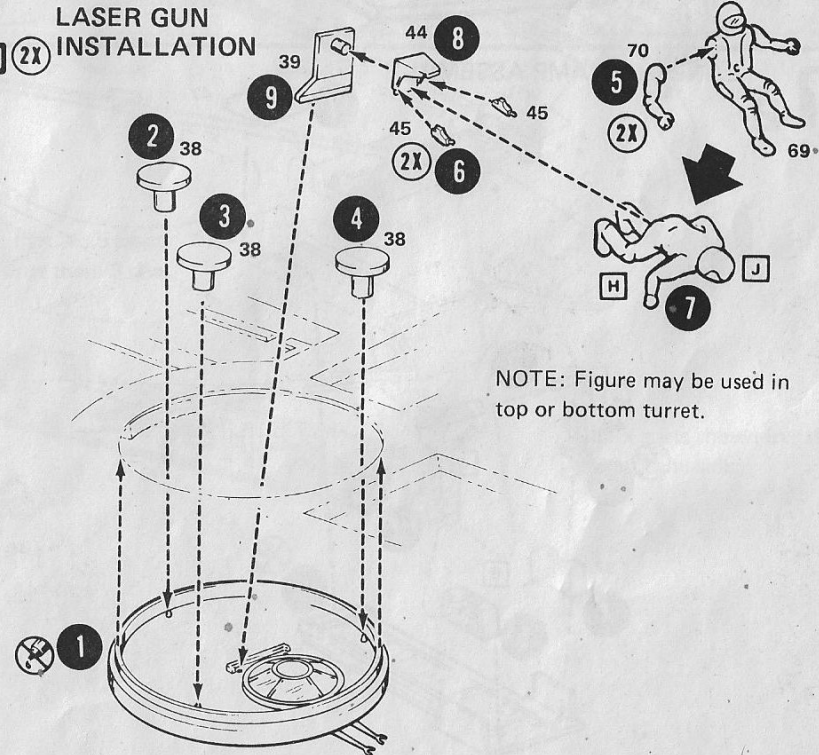
**4 b** (2X) REAR LANDING GEAR INSTALLATION



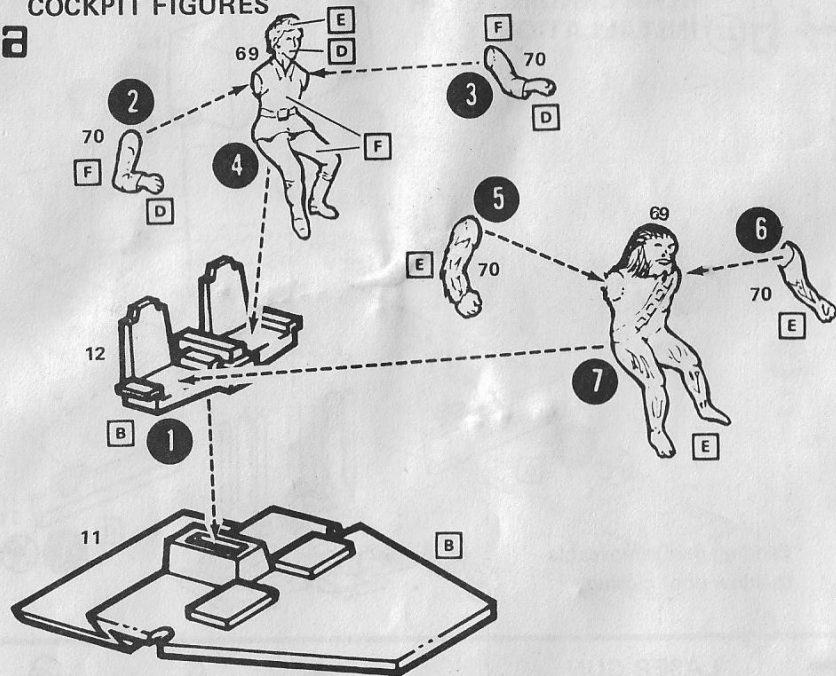
**5 a** (2X) LASER GUN ASSEMBLY



**5 b** (2X) LASER GUN INSTALLATION

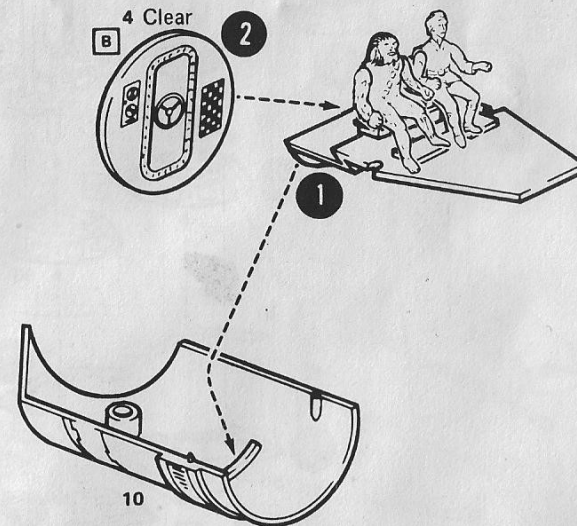


# 6 a COCKPIT FIGURES

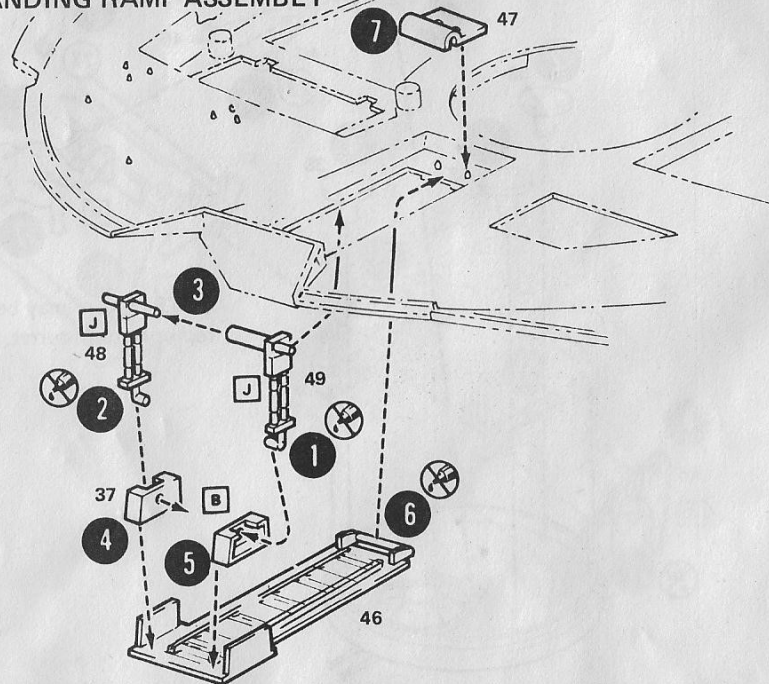


# 6 b COCKPIT ASSEMBLY

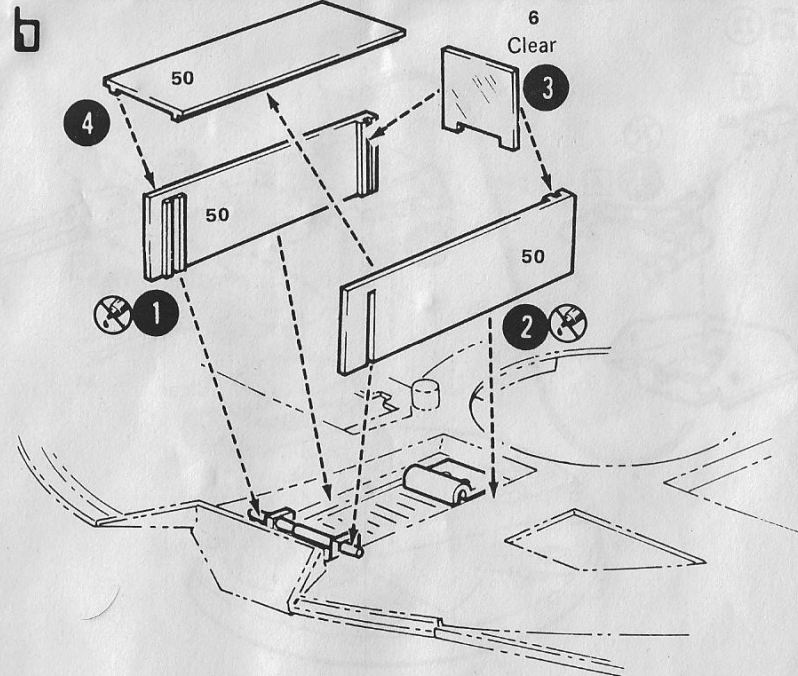
NOTE: Item 4 installed with smooth side forward.



# 7 a LANDING RAMP ASSEMBLY

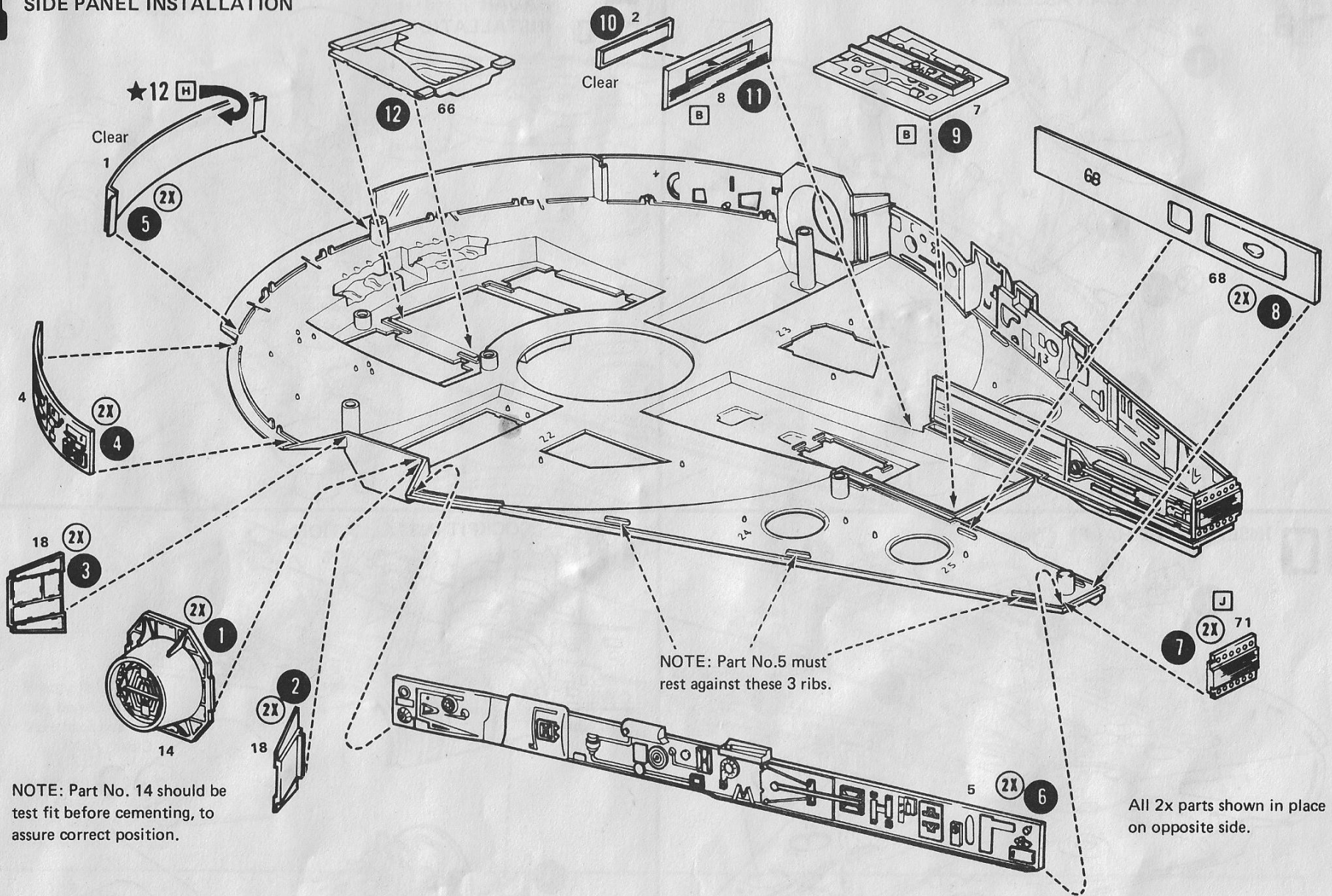


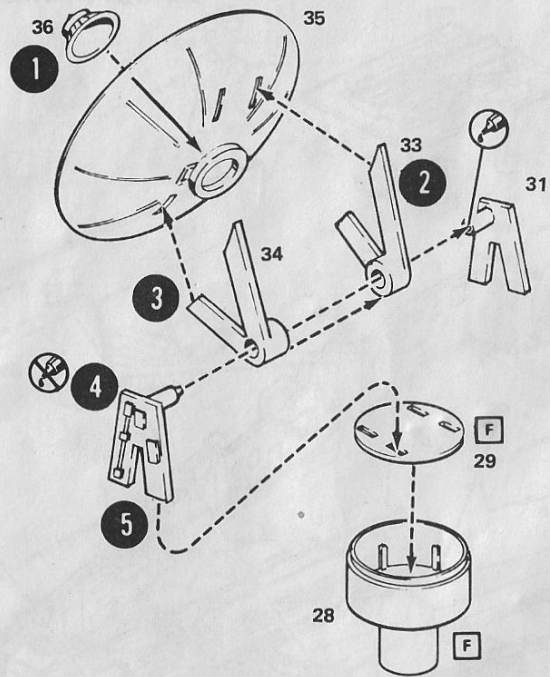
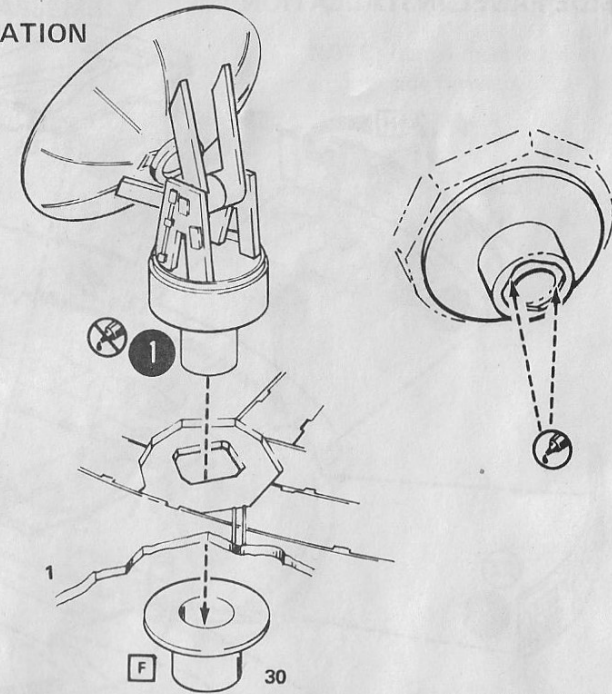
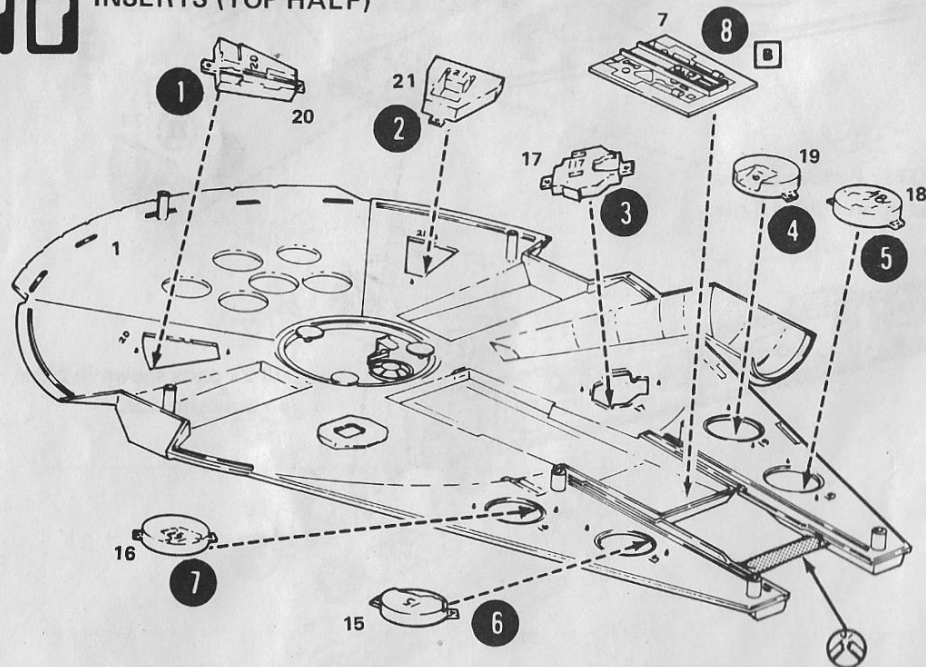
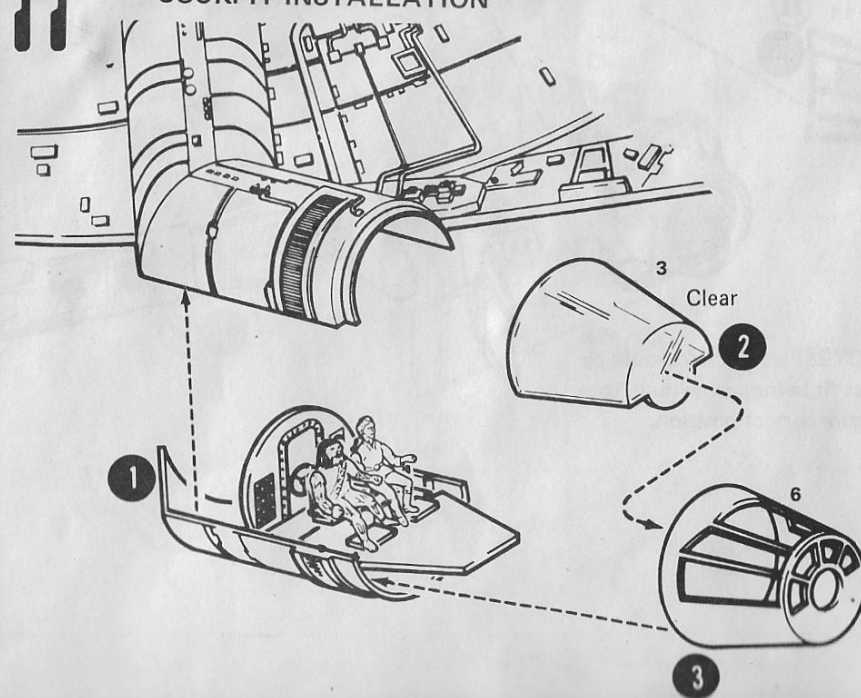
# 7 b LANDING RAMP INSTALLATION

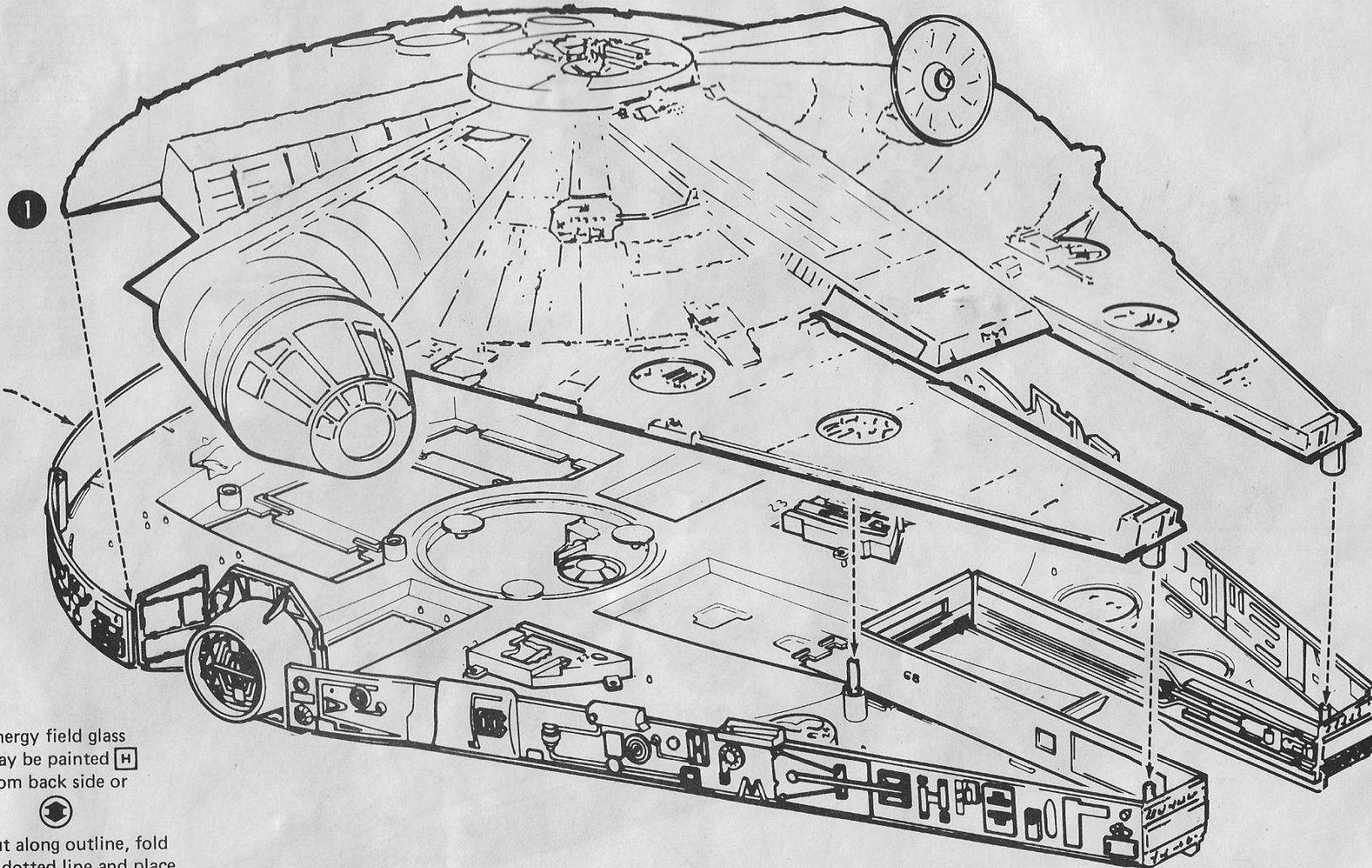





# SIDE PANEL INSTALLATION



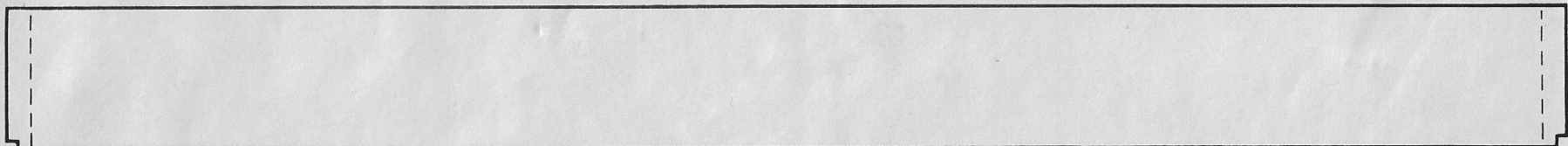
**9a****RADAR ASSEMBLY****9b****RADAR INSTALLATION****10****INSERTS (TOP HALF)****11****COCKPIT INSTALLATION**



- ★ 8 Energy field glass  
may be painted   
from back side or



Cut along outline, fold  
at dotted line and place  
inside back of energy  
field glass.

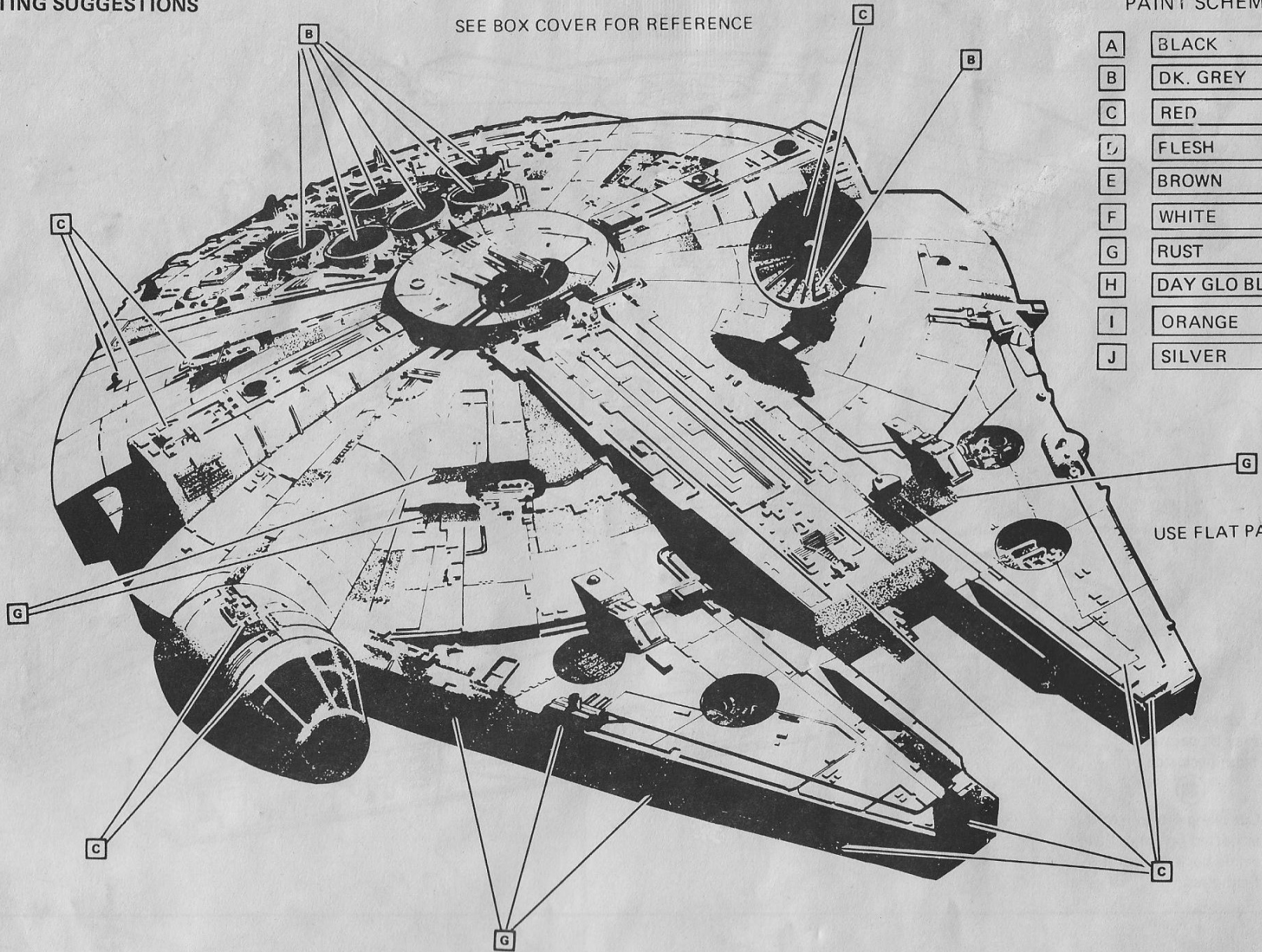


# 13 PAINTING SUGGESTIONS

SEE BOX COVER FOR REFERENCE

## PAINT SCHEME

A	BLACK
B	DK. GREY
C	RED
D	FLESH
E	BROWN
F	WHITE
G	RUST
H	DAY GLO BLUE
I	ORANGE
J	SILVER



USE FLAT PAINT