

UH-1B

“HUEY”



UH-1B “Huey”. The UH-1B “Huey” is possibly the most recognized helicopter in the world. The “Huey” became famous during the Vietnam war and its performances during this period are legendary. The original design was for a troop transport but the basic airframe has been used for everything from Medevac to gunship. The U.S. Army and Bell have developed a design that sets standards for all helicopters.



UH-1B “Huey”. Le HU-1B “Huey” est certainement l'hélicoptère le plus connu au monde. Le “Huey” devint célèbre durant la guerre du Vietnam, et ses performances à cette époque sont légendaires. Son destin original était le transport de troupe, mais sa base a été utilisée pour toutes les missions imaginables. L'U.S. Army et la firme Bell ont développé un appareil mondialement reconnu comme un standard.



UH-1B “Huey”. Der UH-1B “Huey” ist sicher der bekannteste Hubschrauber der Welt. Der “Huey” erlangte seine Berühmtheit während des Vietnam-Krieges, und seine Leistungen in dieser Zeit sind legendär. Die Original-Ausführung war für Truppentransporte gedacht, aber er wurde für alles benutzt, vom Rettungshubschrauber bis zum Gunship. Die U.S. Army und Bell haben ein Design entwickelt, das einen Standard für alle Hubschrauber setzte.



UH-1B “Huey”. UH-1B e' l'elicottero piu' conosciuto nel mondo. Esso diventò famoso durante la guerra del Vietnam e le sue “performances” durante quel periodo sono leggendarie. Nel disegno originale l'elicottero era stato adibito al trasporto di truppe, ma il disegno della struttura di base fu poi usato per altri tipi di velivolo, tra cui l'elicottero con mitragliatrici. L'esercito degli Stati Uniti e Bell ne ricavarono disegni standard per tutti gli elicotteri.



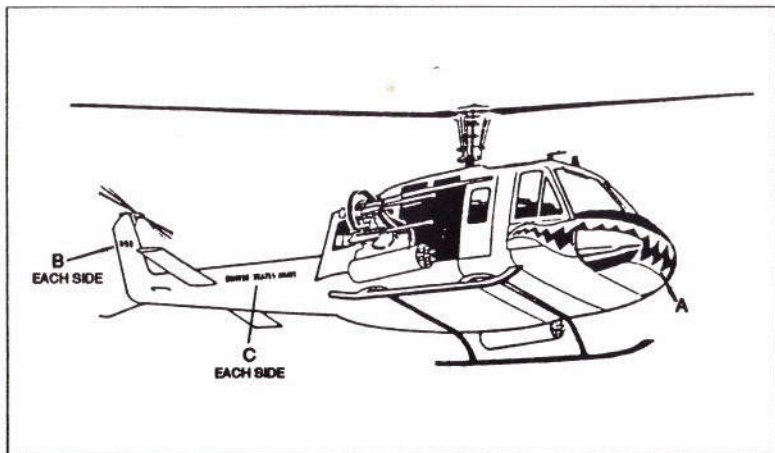
UH-1B “Huey”. Es posiblemente el helicóptero más famoso del mundo. Se hizo famoso durante la guerra del Vietnam y su actuación durante ese periodo fue legendaria. El diseño original fue para el transporte de las tropas pero el marco aéreo básico ha sido utilizado para todo, desde MEDEVAC hasta armas. La armada de los U.S. y Bell han desarrollado un diseño que se ha convertido en standard para todos los helicópteros.

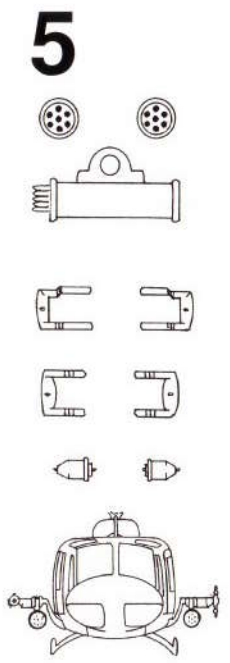
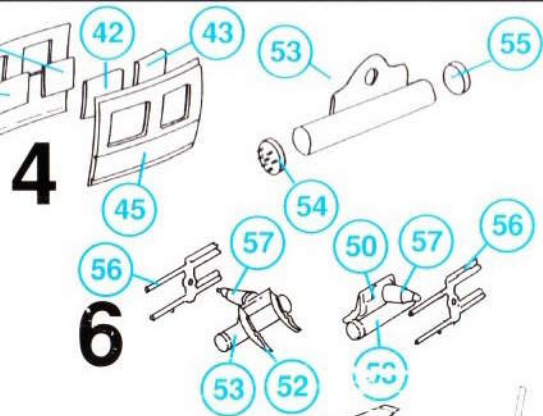
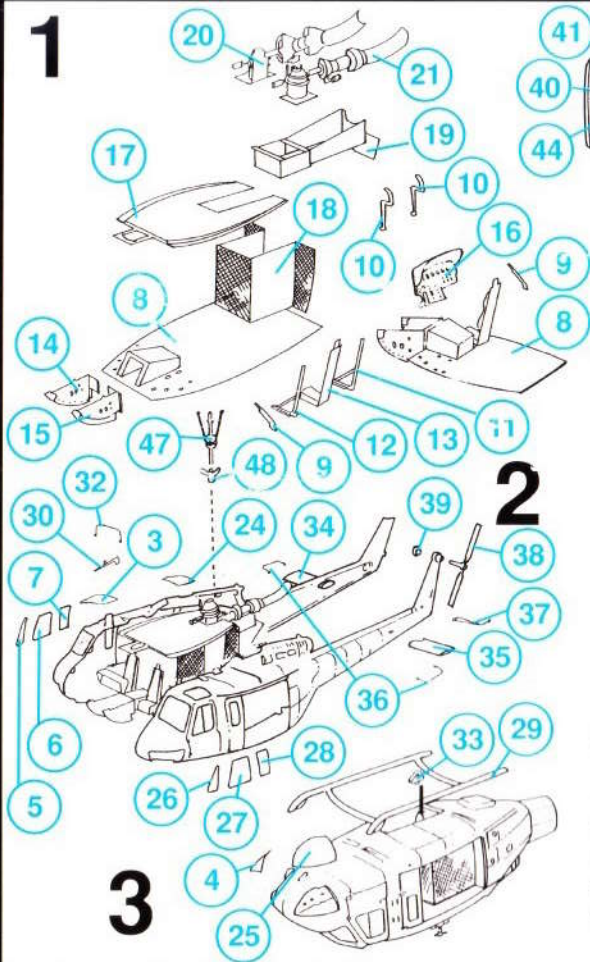
PAINTING INSTRUCTIONS

**UH-1B
"HUEY"**

PART NO.	FS NO.	ENG	GER	FRA	ITAL	SPA
1,22,29,34,35,36, 37,40,43,49,50,51 52,57	34087	OLIVE DRAB	NACHT- OLIVE	VERT OLIVE	GRIGIO VERDE	VERDE OLIVA
2,9,10,11,12,16,30, 31,32,38,44,46,47, 48	37038	BLACK	SCHWARZ	NOIR	NERO	NEGRO
20,21,33,54,55, 56		BURN- ISHED METAL	METAL POLIERT	METAL- BRUNI	BRONZO	METAL PULIDO
8,13,14,15,17, 18,19 INTERIOR ONLY OF 1,22,40,43	36495	LIGHT GREY	HELLGRAU	GRIS CLAIR	GRIGIO CHIARO	GRIS CLARO
53	34092	DARK GREEN	DUNKEL- GRÜN	VERT FONCE	VERDE SCURO	VERDE OBSCURO

DECAL PLACEMENT





ASSEMBLY INSTRUCTIONS

This kit may be simply assembled by following the seven steps in a logical manner. Painting many of the parts before assembly will be easier than painting after assembly. Follow the detailed painting instructions on the painting guide card inside this package. This kit contains many small parts and we suggest that they not be removed from the trees until they are needed.