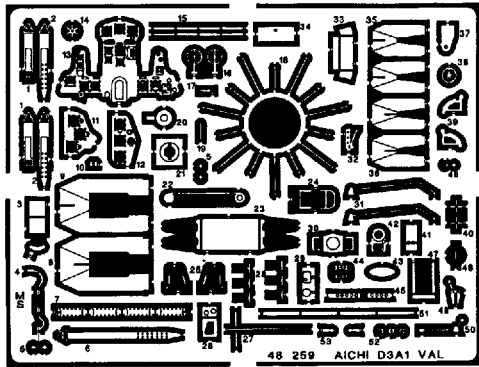







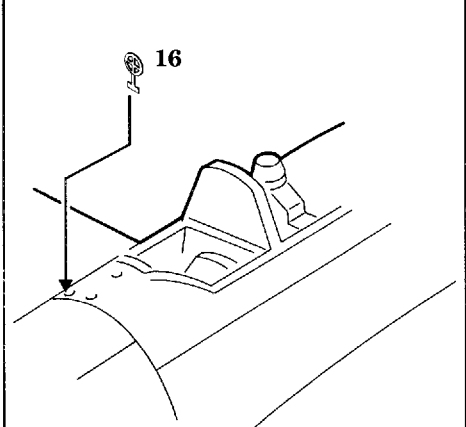
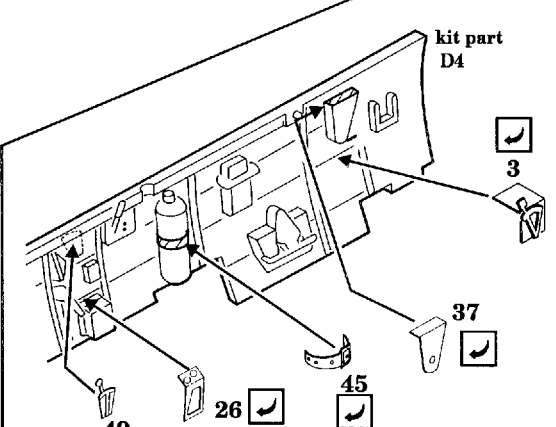
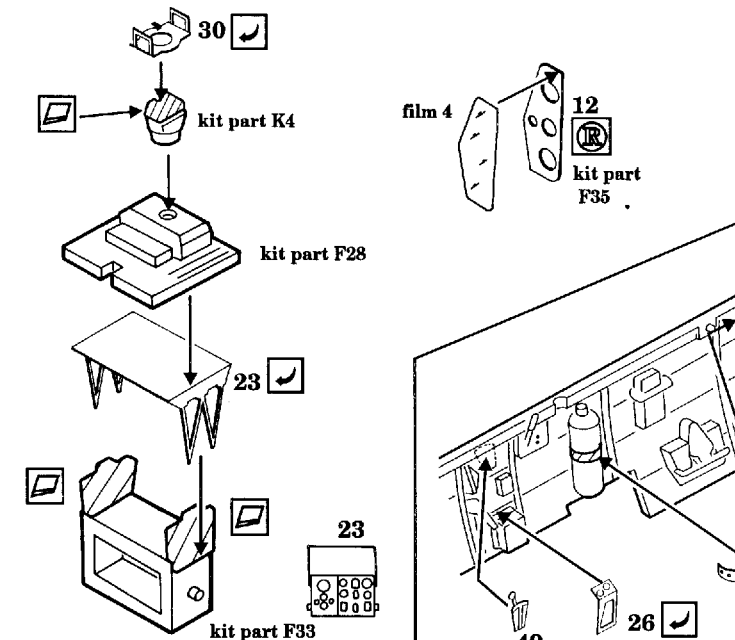
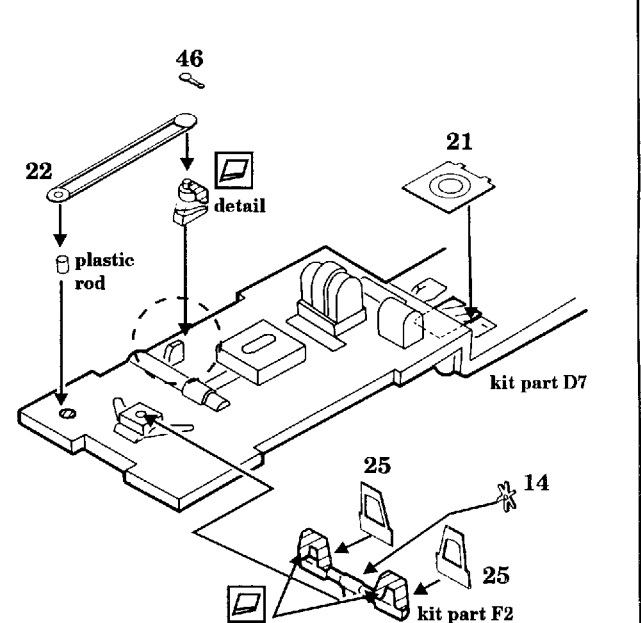
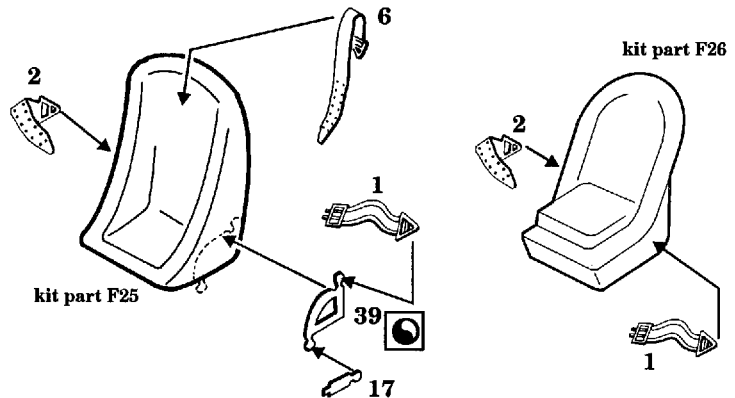
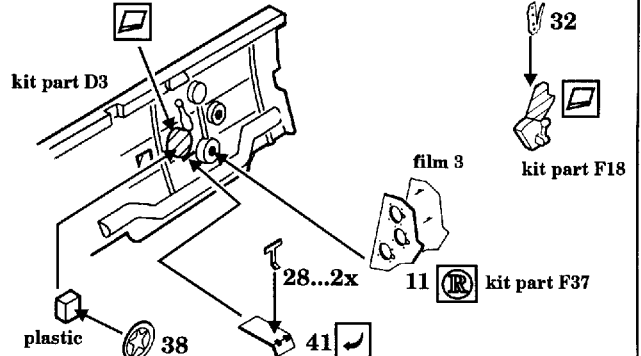
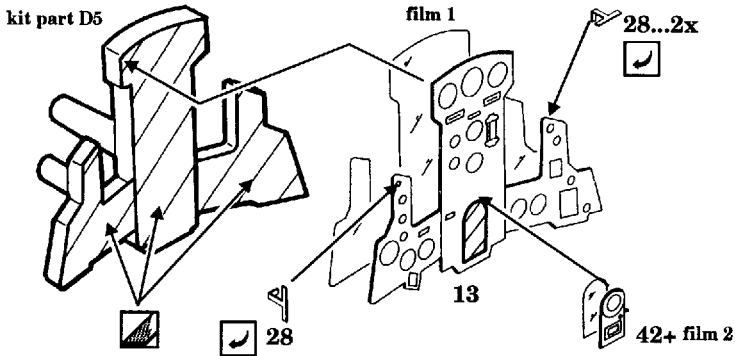


AICHI D3A VAL

1/48 scale detail set for HASEGAWA kit



-  OPPOSITE SIDE
-  REMOVE
-  BEND
-  REPLACE
-  GRIND



GUNNER'S POSITION

MACHINE GUN

