

1A

Note: Seat: Light Grey (FS36231)
Harness: Kaki Brown

1B

Note: Seat: Light Grey (FS36231)
Handles: Yellow / Black striped
Harness: Kaki Brown

2

Instrument panel: Black

3

Note: Interior: Light Grey (FS36231)
Belgian version: Black

Open canopy

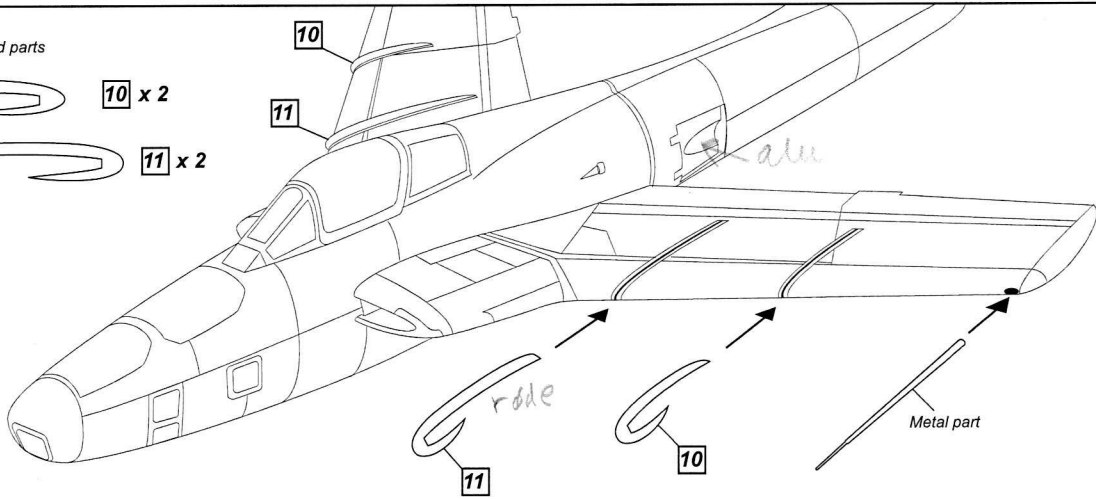
Photo Etched part 2

4

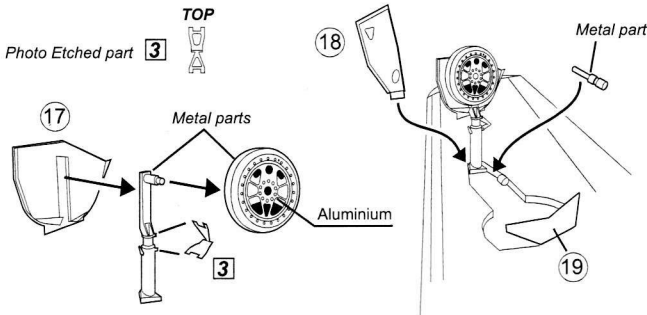
airframe aluminium
Belgian version only
Remove
Danish version only

5

Photo Etched parts

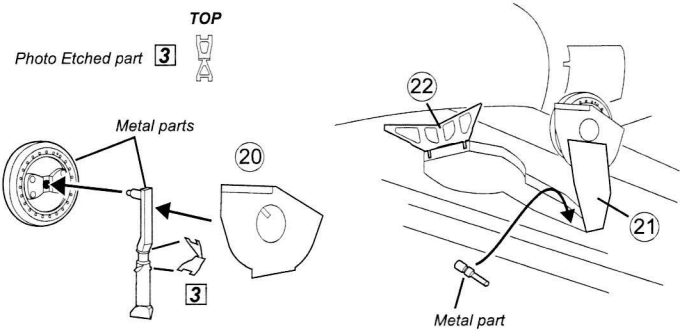


6 Main Landing Gear (port)

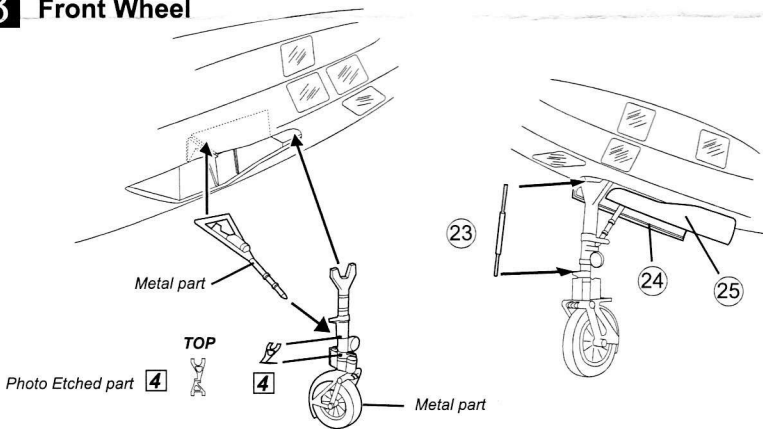


Note : Landing Gear : Aluminium
Wheelwells and doors : Aluminium or Interior Green

7 Main Landing Gear (starboard)

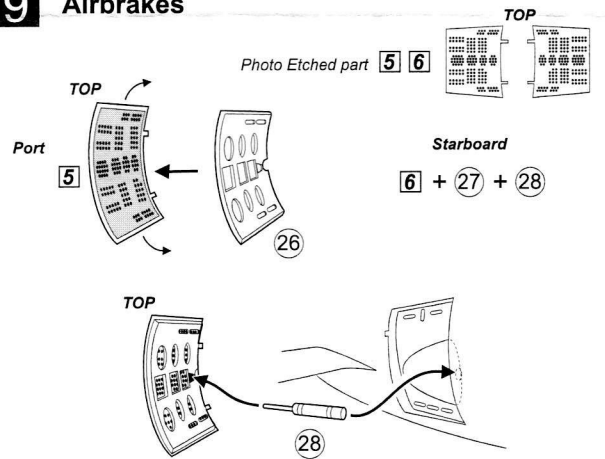


8 Front Wheel



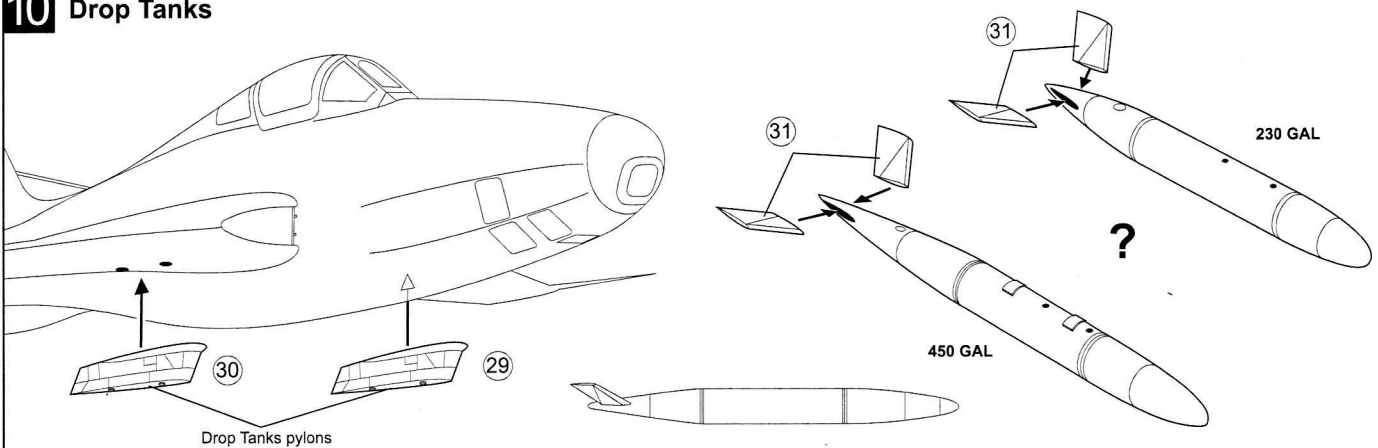
Note : Landing Gear : Aluminium
Wheelwells and doors : Aluminium or Interior Green

9 Airbrakes



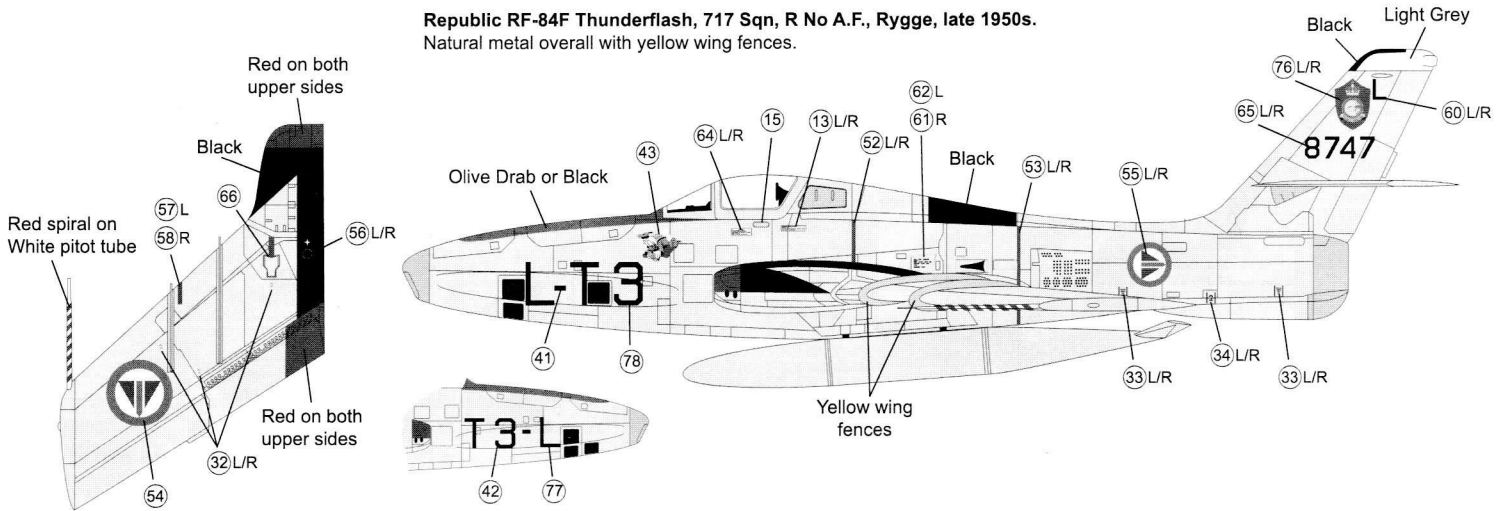
Note : Interior Airbrakes : Aluminium or Interior Green

10 Drop Tanks



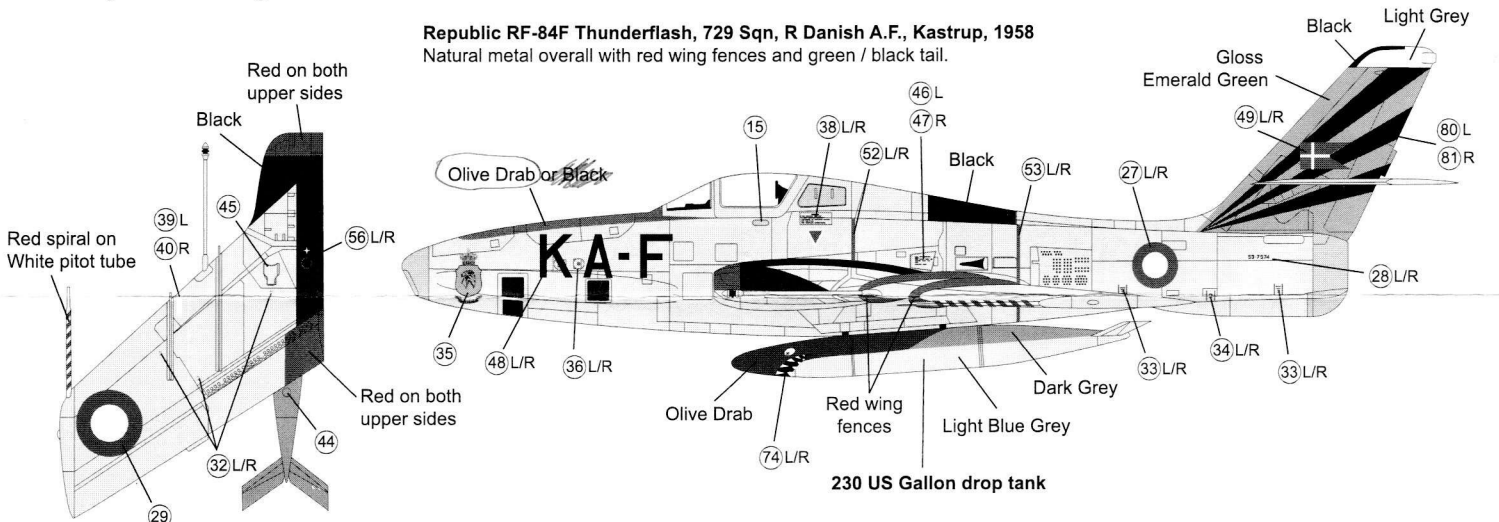
Note for decals setting: L / R (Left and Right side)

Republic RF-84F Thunderflash, 717 Sqn, R No A.F., Rygge, late 1950s.
Natural metal overall with yellow wing fences.



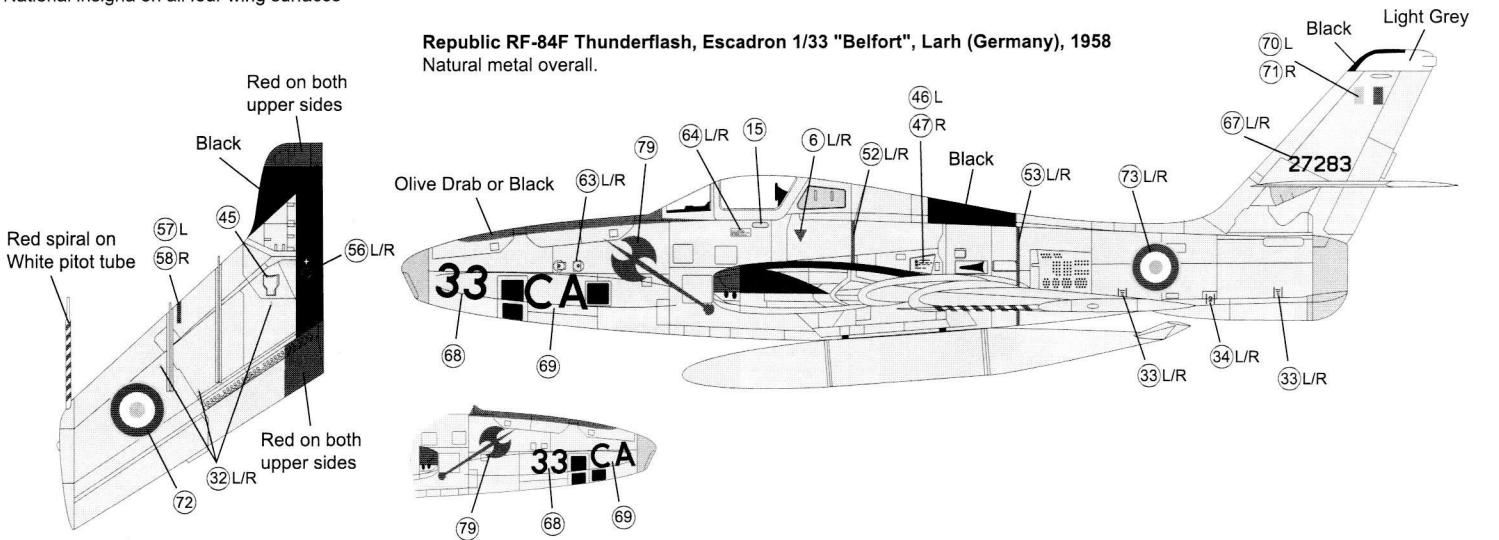
National insignia on all four wing surfaces

Republic RF-84F Thunderflash, 729 Sqn, R Danish A.F., Kastrup, 1958
Natural metal overall with red wing fences and green / black tail.



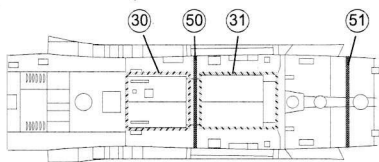
National insignia on all four wing surfaces

Republic RF-84F Thunderflash, Escadron 1/33 "Belfort", Larh (Germany), 1958
Natural metal overall.

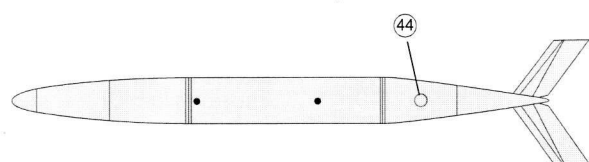


National insignia on all four wing surfaces

Underside view (common to all versions on this page)



450 US Gallon drop tank



PAINT CONVERSION

	Humbrol	Gunze	Tamiya	Fed. Std
Dark Green	116	H309	XF27/61	FS24064
Medium Green	117	H75	XF61/65	FS24102
Tan	118	H310	XF52	FS20219
Light Grey	147	H62	XF19	FS26622
Gloss Green	2	H26	X5	-
Light Blue Grey	65	H67	XF23	FS35526
Olive Drab	155	H304	XF62	FS34088
Dark Grey	27	H53	XF54	FS36173

F3 36495

RLM 76 MM 1732

RLM 76

AMC Battle Grey / Dark Sea Grey
Model Air

Republic RF-84F Thunderflash, 42 Sqn Belgian Air Force, Bierset, 1970
"Vietnam" paint scheme, Dark Green / Medium Green / Tan uppersurfaces, Light Grey undersurfaces.

