

11696**Plastic Model Kit Skill Level 2 1/48 Scale****MINICRAFT
MODEL KITS***Legends in the making!*

- Detailed Interior & Engine
- Removable Cowling
- Premium Cartograf Decals

V40

Cessna T-41 Mescalero

The T-41A Mescalero is the military trainer version of the civilian Cessna 172. Minicraft Models 1/48 scale T-41A offers a choice of marking options that include the United States Air Force T-41A used as a flight trainer for cadets at the USAF Academy in Colorado Springs Colorado and as a transport and search and rescue duty. This detailed plastic kit includes removable cowl that shows detailed engine beneath, detailed interior, recessed panel lines, and a Clear Display Stand.

Painting and finishing Minicraft model kits

Techniques for painting and finishing your model vary depending on the preferences of each model builder. Commonly most painting is recommended before assembly. Small details are best painted before assembly. Details like car and airplane interiors **MUST** be painted before assembly. Modelers may choose to paint the model kit using model paint with a paintbrush, an aerosol spray can or an airbrush. Large areas of the model like a model car a body or model airplane wings and fuselage are best painted before assembly or as a partially assembled sub-assembly. Use of an aerosol can or airbrush is recommended. Models can be painted after assembly but clear parts and some details will need to be masked to keep clear parts clear and preserve pre-painted details.

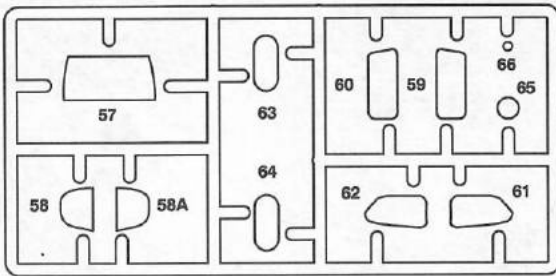
Decal Application:

Your Minicraft model includes high-quality waterslide decals. These decals adhere best to a glossy surface. Use a sharp scissors or knife to cut individual decals from the carrier sheet. Do not cut into the clear film surrounding the individual decals. It is recommended that you apply one decal at a time. Place the decal section in warm water, when first inserted in the water your decal will curl, after approximately ten seconds the decal will uncurl. Remove from water and lay on a paper towel. After approximately 10 - 20 seconds the decal will slide freely from the backing paper. Use a small brush to help slide the decal from the backing paper and into position on the model. Carefully blot excess water from the decal, using care not to move the decal or tear it. If you choose to use a setting solution, apply a thin coat over the decal following the manufacturer's instruction. Allow the decal to dry overnight. Wash any adhesive residue off the model with a small wet towel.

Minicraft Models (US) LLC 2136 12th St. Rockford, IL. 61104 Printed in China
www.minicraftmodels.com

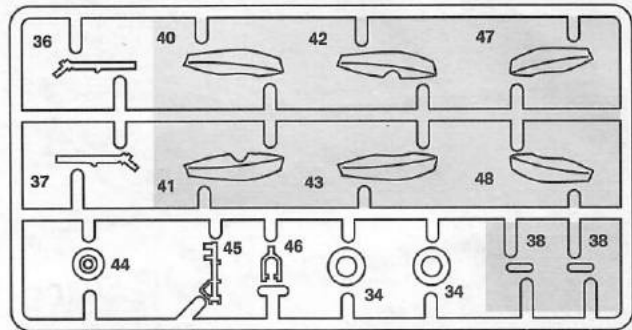
PARTS LOCATING DIAGRAM

CLEAR SPRUE

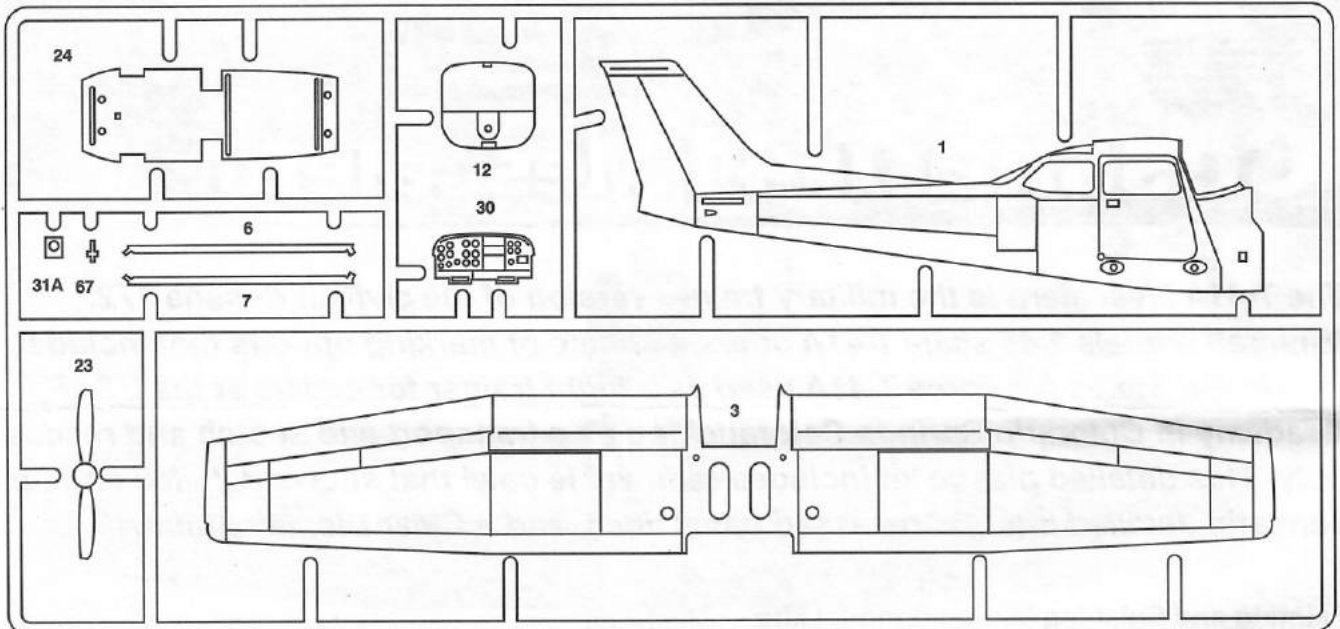


LANDING GEAR SPRUE

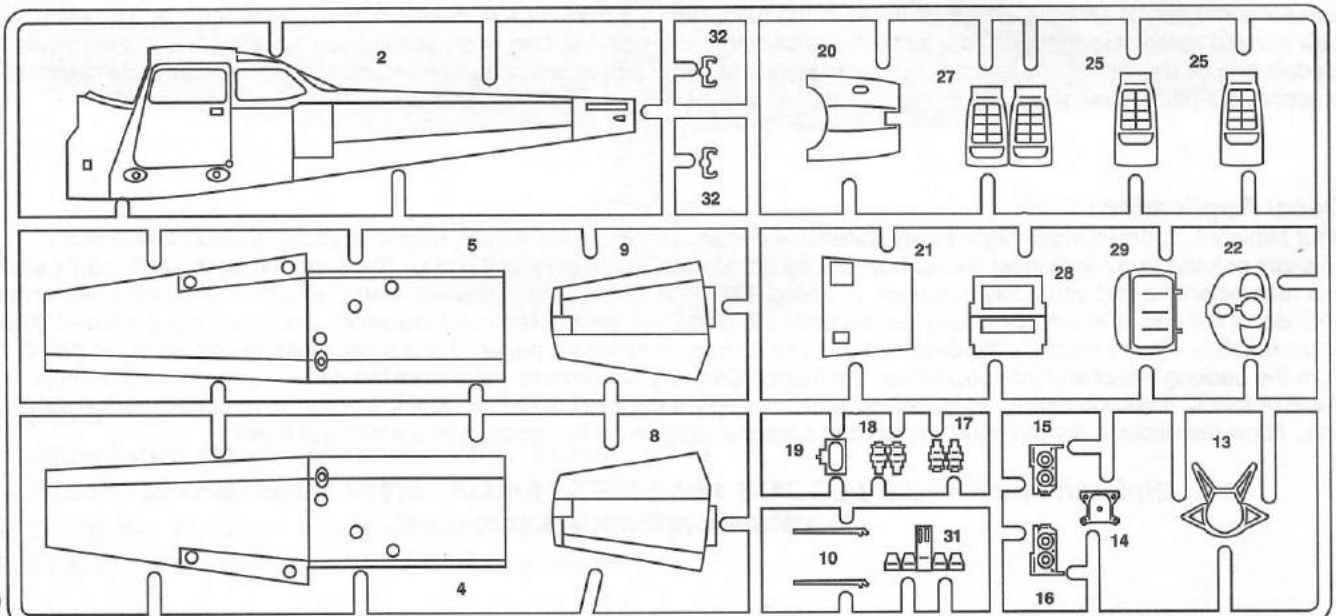
Grayed out parts not used on this version



MAIN COMPONENT SPRUE



MAIN COMPONENT SPRUE





Cement
Coller
Kleben
Pegar
Incollare
Colar
Kleben



DO NOT Cement
No pas Coller
Nicht Kleben
No Pegar
Non Incollare
Nao Colar
Niet Kleven



Cut away
Couper
Scheiden
Cortar
Tagliere
Cortar
Snijden



Optional parts
Choix
Auswahlmöglichkeit
Eleccion
Scelta
Opaco
Keuze

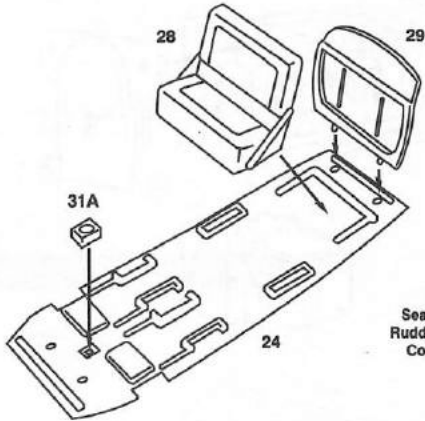


Repeat operation
Répéter / opération
Vorgang wiederholen
Repitir la operacion
Ripetere
Repitir a operacao
Herhalen



Symmetrical assembly

1 INTERIOR ASSEMBLY



All Parts

Seats / Floor / Bulkhead *
Rudder pedals FLAT BLACK
Compass SATIN BLACK

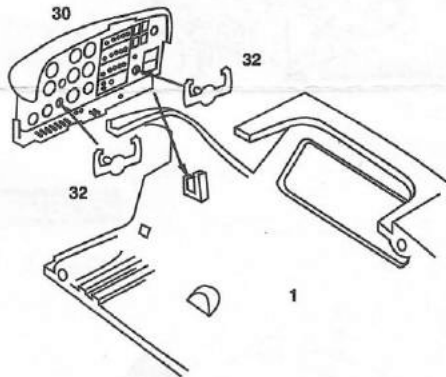


2 INSTRUMENT PANEL

***NOTE**
Many variations exist for interior and upholstery colors in this airplane, as many were built to custom orders or have been retrofitted over their service years. Off-White or Light Tan interior panels and upholstery in various shades of Tan, Brown and Grey are common. This note applies to Steps 1, 2, and 3.

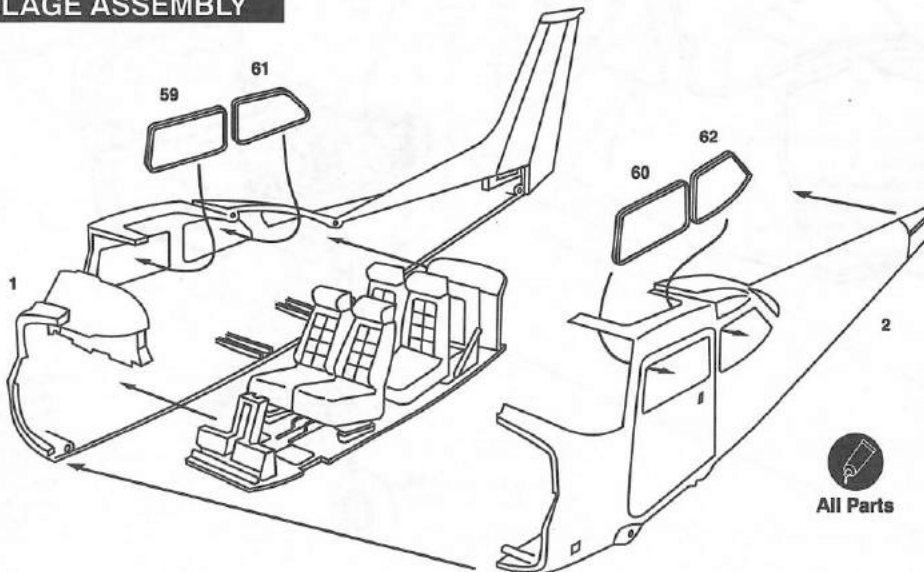


All Parts



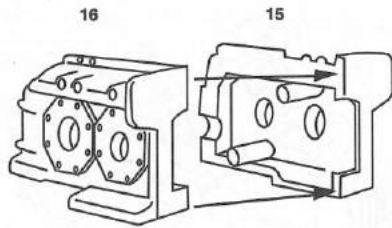
Instrument panel FLAT BLACK
Control yokes SATIN BLACK

3 FUSELAGE ASSEMBLY

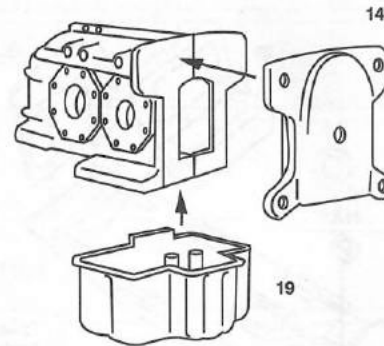


All Parts

4 ENGINE ASSEMBLY

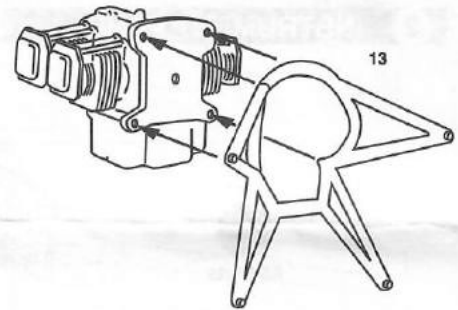
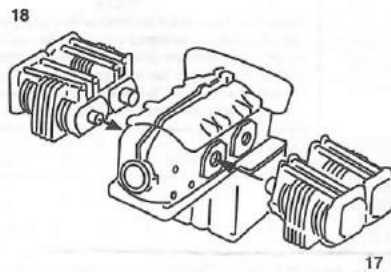
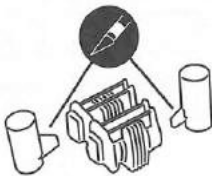


Crankcase ALUMINUM
Backplate ALUMINUM
Oil pan STEEL
Cylinders BLACK
Engine mount ALUMINUM

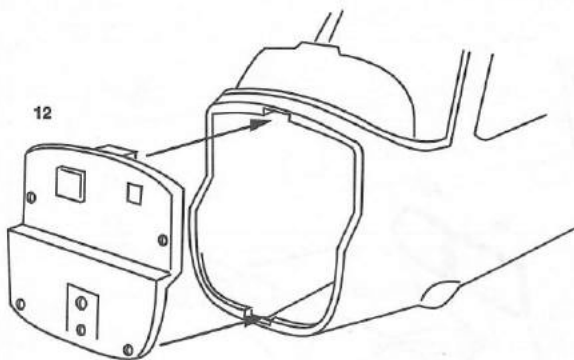


All Parts

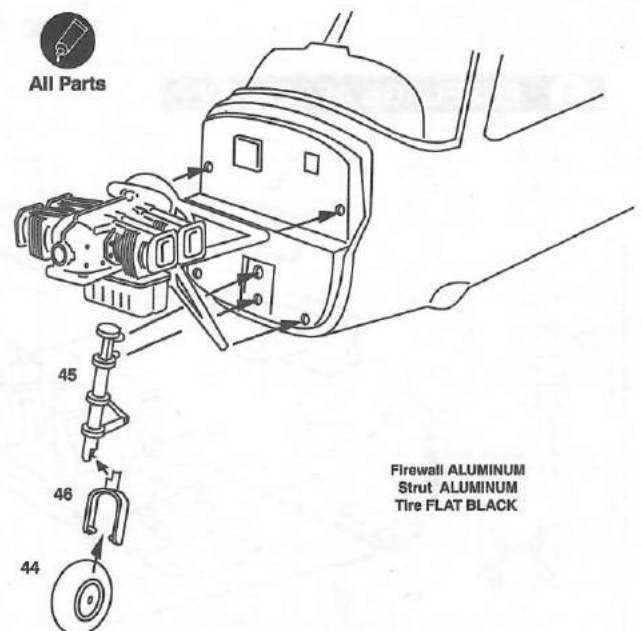
NOTE
Remove ejector pin stubs from
parts 17/18 before
proceeding with assembly.



5 FIREWALL & NOSEGEAR



All Parts



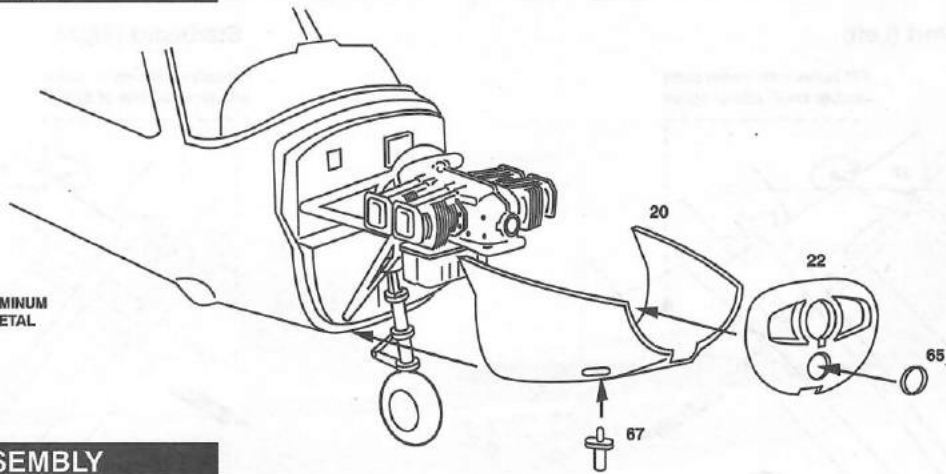
Firewall ALUMINUM
Strut ALUMINUM
Tire FLAT BLACK

6 LOWER COWL



All Parts

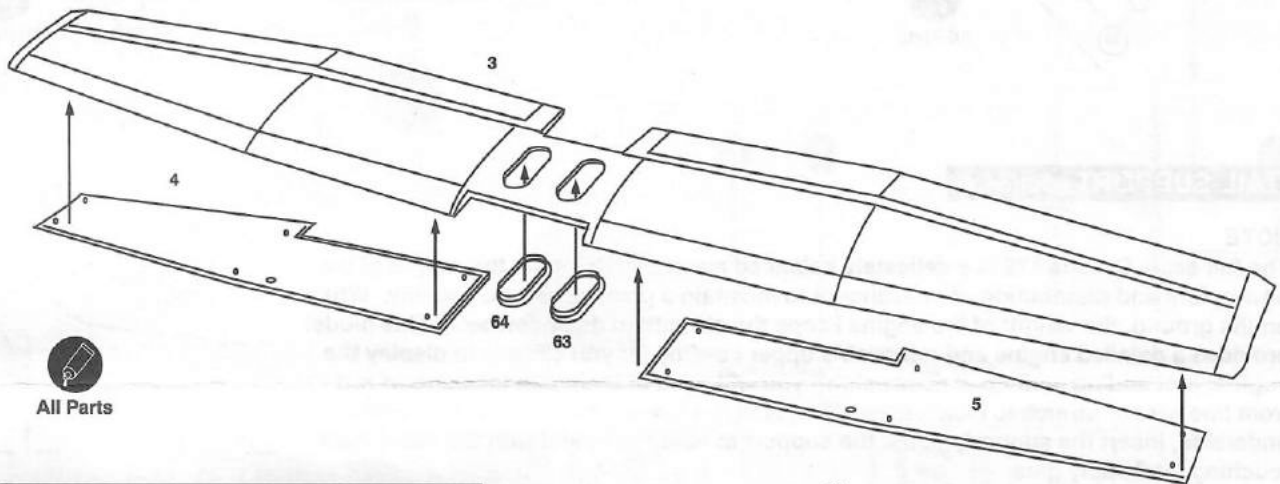
Cowling interior ALUMINUM
Exhaust BURNT METAL



7 WING ASSEMBLY



All Parts

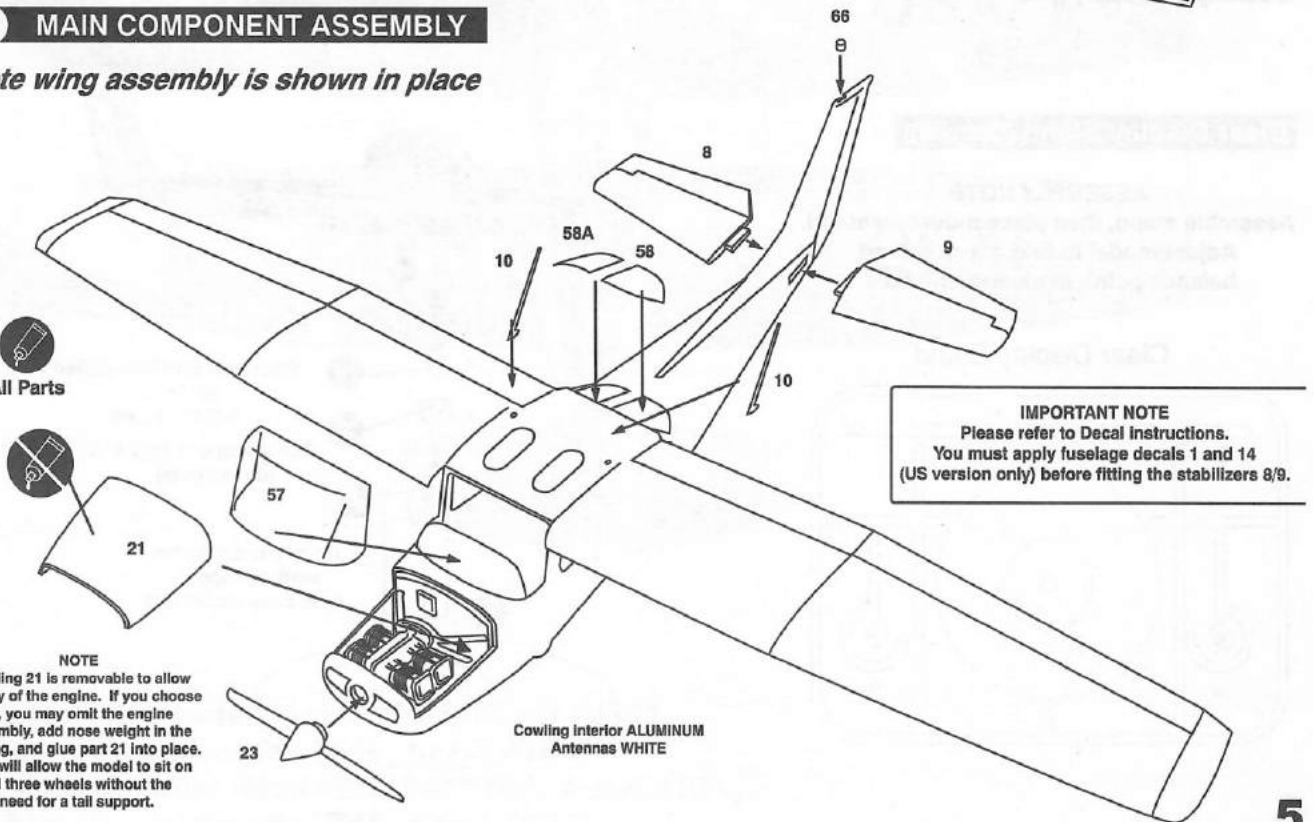


8 MAIN COMPONENT ASSEMBLY

Note wing assembly is shown in place



All Parts



IMPORTANT NOTE
Please refer to Decal Instructions.
You must apply fuselage decals 1 and 14
(US version only) before fitting the stabilizers 8/9.

NOTE

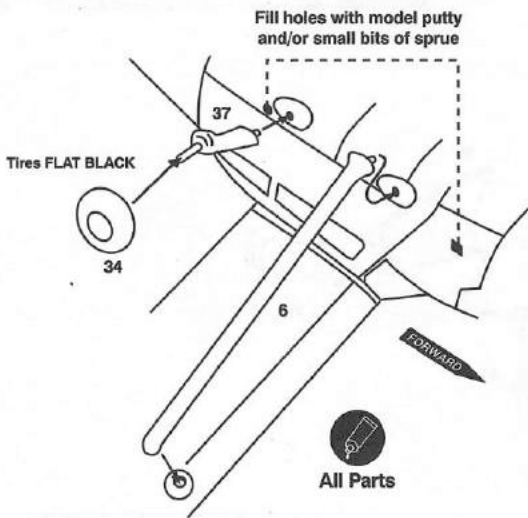
Cowling 21 is removable to allow display of the engine. If you choose to, you may omit the engine assembly, add nose weight in the cowling, and glue part 21 into place. This will allow the model to sit on all three wheels without the need for a tail support.

Cowling Interior ALUMINUM
Antennas WHITE

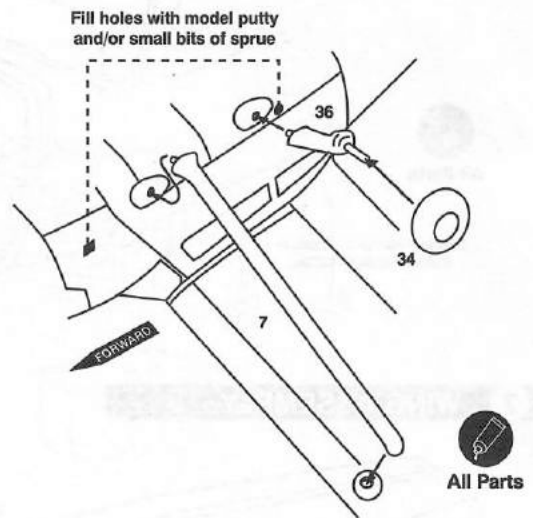
9 MAIN LANDING GEAR / WING STRUTS

Note drawings show model upside down

Port (Left)



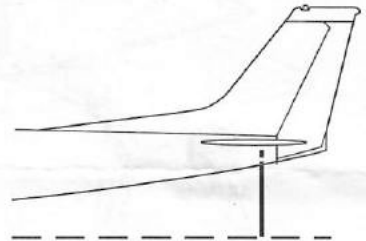
Starboard (Right)



TAIL SUPPORT (Optional)

NOTE

The full-scale Cessna 172 is a delicately balanced machine relying on the weight of the powerplant and distribution of passengers to maintain a proper center of gravity. When on the ground, the weight of the engine keeps the aircraft on its nosewheel. This model provides a detailed engine and removable upper cowling. If you choose to display the engine, (not adding additional noseweight) you will need to fashion a tail support rod from fine wire or stretched clear sprue. Simply drill a small hole in the rear fuselage underside, insert the support, adjust the support to hold the model with the nosewheel touching, and apply glue.

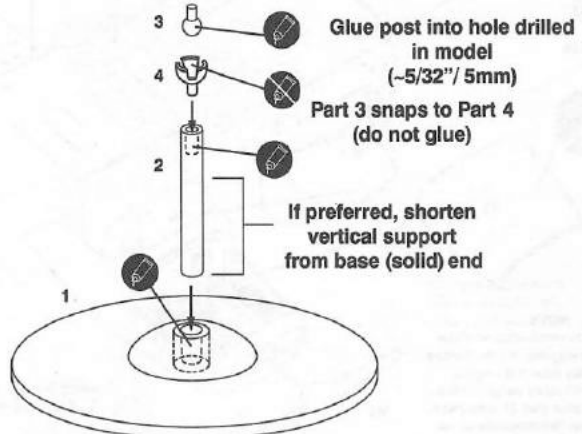
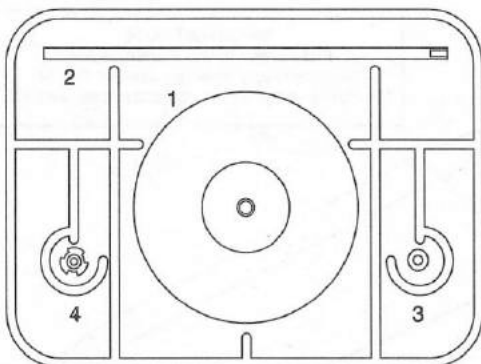


Clear Display Stand (Optional)

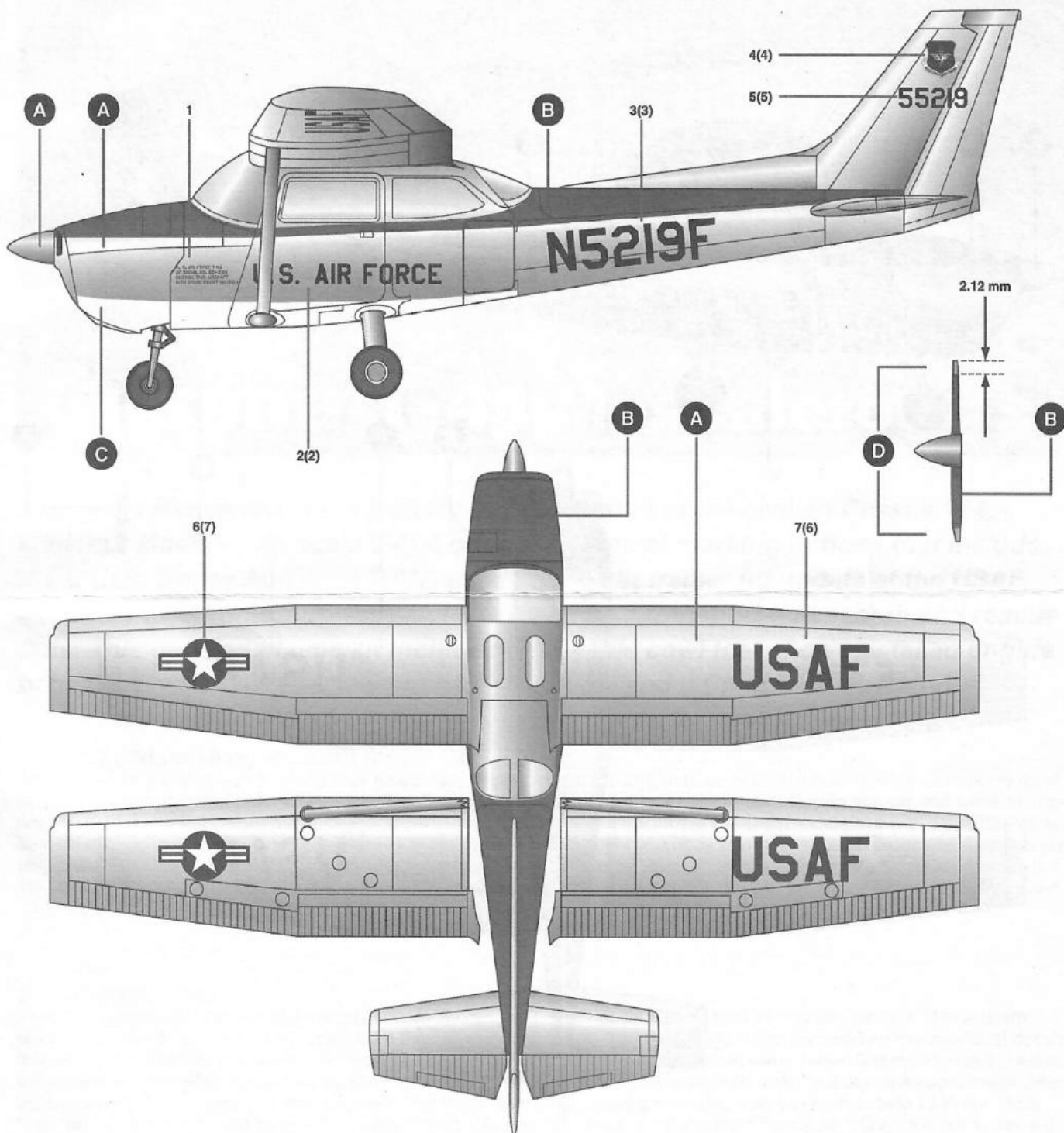
ASSEMBLY NOTE

Assemble stand, then place model on stand.
Adjust model to find a fore and aft balance point, mark and drill hole.

Clear Display Stand



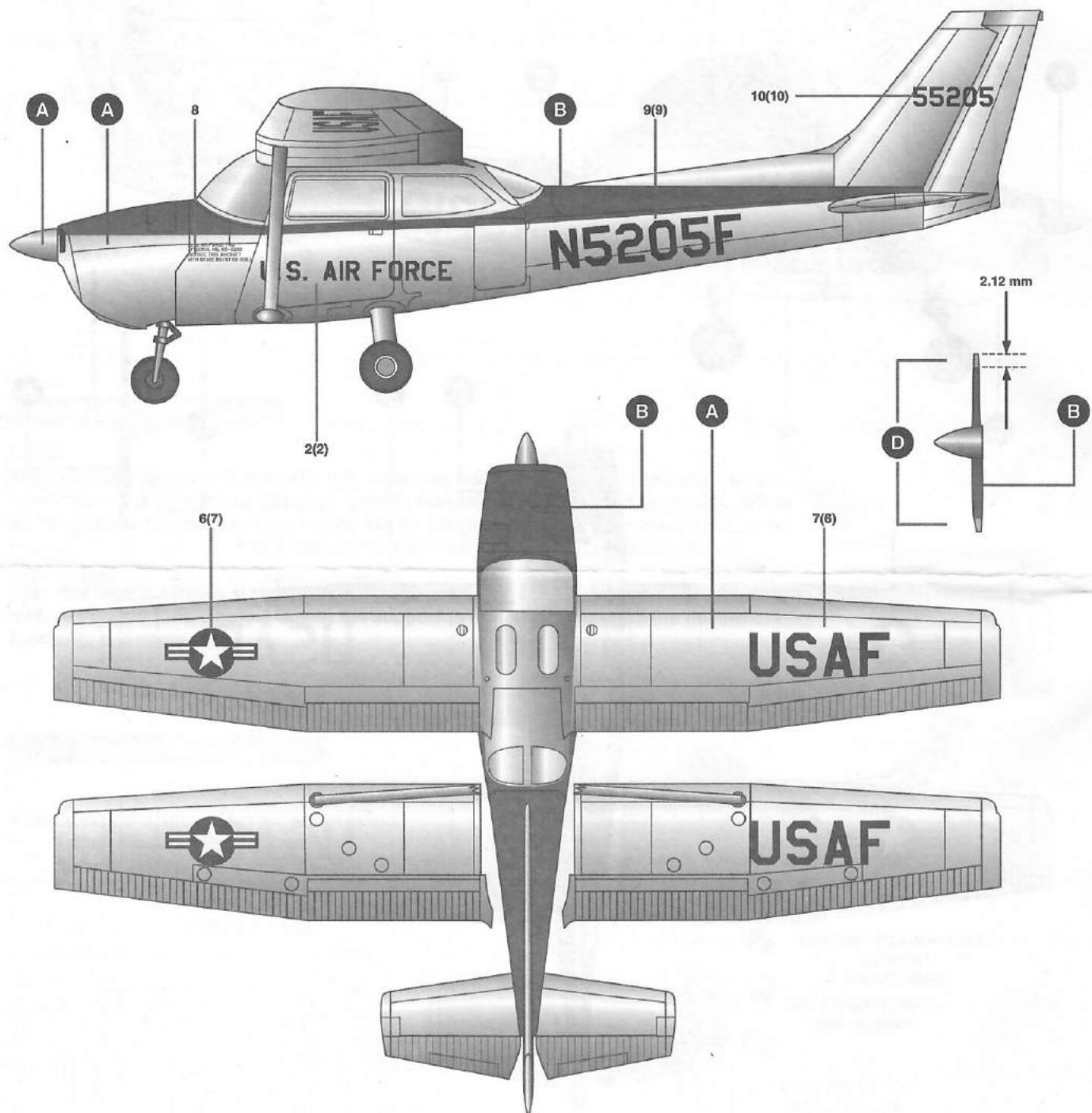
T-41 Mescalero USAF, 1965



PAINTS

- A** Aluminum (ModelMaster 1781, Acryl 4677)
- B** Black (ModelMaster 1749, Acryl 4768)
- C** Insignia Yellow (ModelMaster 1708, Acryl 4721)
- D** White (ModelMaster 1745, Acryl 4696)

T-41 Mescalero USAF, 1964



PAINTS

- A Aluminum (ModelMaster 1781, Acryl 4677)**
- B Black (ModelMaster 1749, Acryl 4768)**
- C Insignia Yellow (ModelMaster 1708, Acryl 4721)**
- D White (ModelMaster 1745, Acryl 4696)**