

92126 Ki-100 (high back)

scale 1/72

With the Ki-100 proving such a success, it was decided to initiate production of this aircraft, the resulting Ki-100-lb differing only by having the cutdown rear fuselage and all-round-view canopy that had been designed for the proposed Ki-61-III. A total of 99 of this version was built before production was brought to an end by the growing weight of USAAF air attacks.

RS
MODELS

CLEAR PARTS (CP)

POLYURETHAN PARTS (PUR)

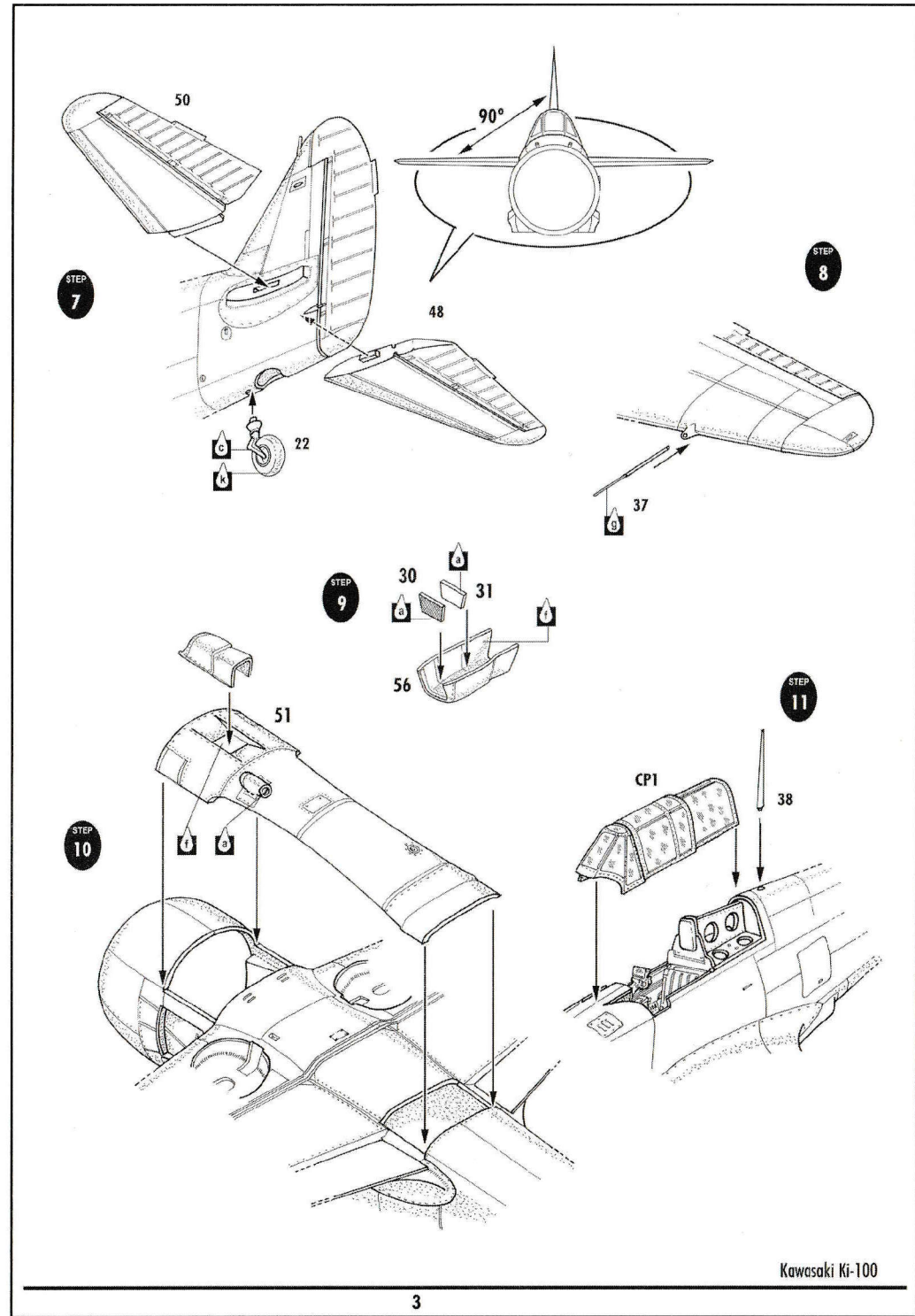
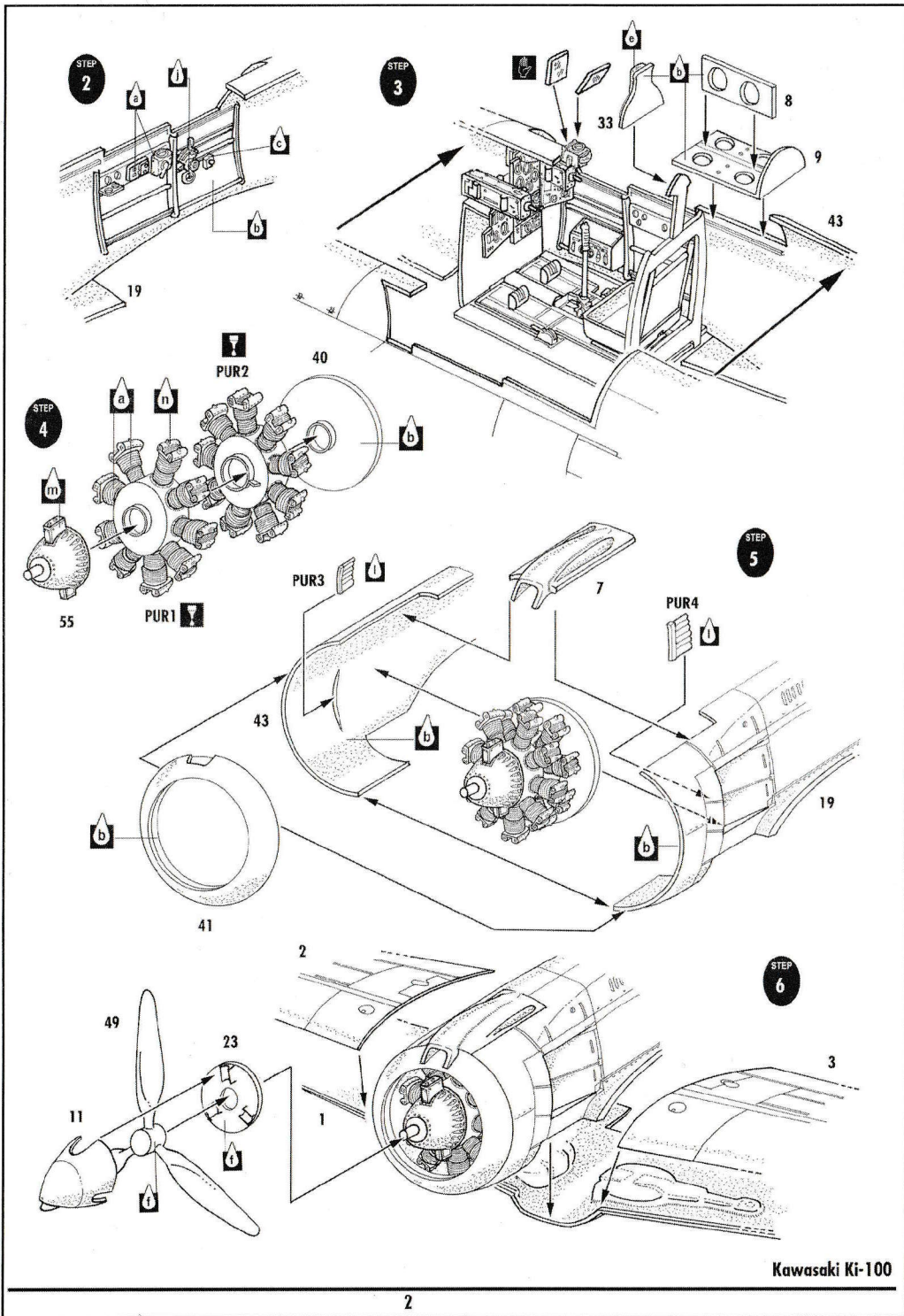
COLORS

a Černá Black	h Červená Red
b Interiér, zelená Interior Green	i Bílá White
c Stříbrná Silver	j Žlutá Yellow
d Píchno Linen	k Pneumatiky Tyres Black
e Kůže Leather	l Růžová Rust
f Hliníková Aluminium	m Tmavě šedá Dark Grey
g Chromová Chrome	n Kovová Gun metal

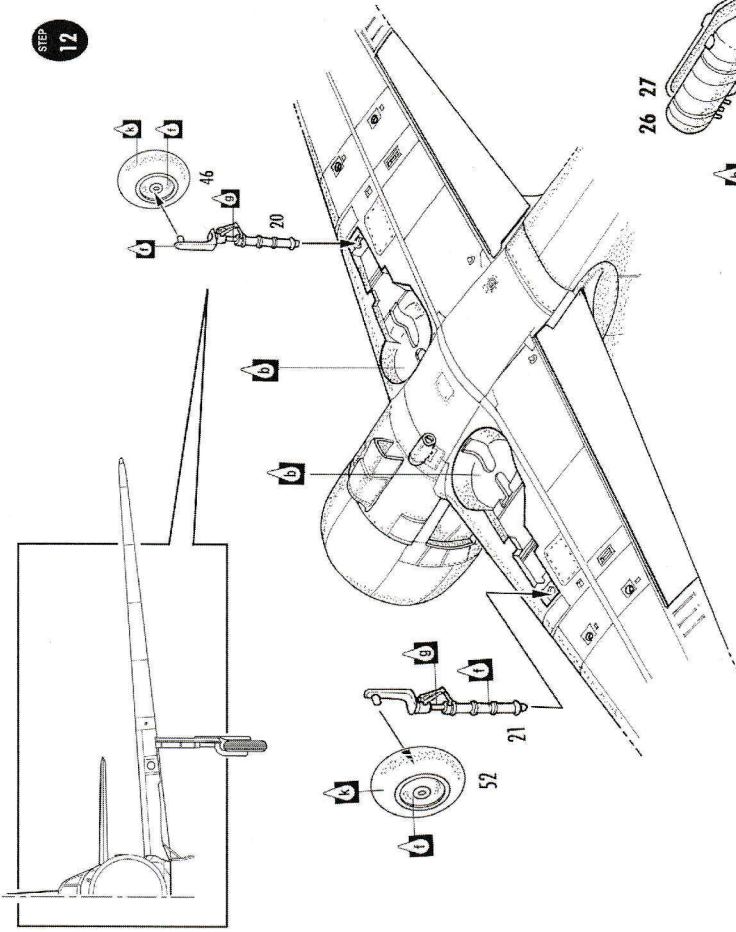
Legend:

- (C)** ohnout bend
- (G)** včelí vosk cyanoacrylate glue
- (V)** odstranit remove
- (R)** upravit reduce
- (O)** vrtat open hole
- (S)** vyrobit sctrach build
- (D)** obtisk decal
- (K)** barva color
- (F)** film

STEP 1



STEP
12



STEP
13

