

FOREWORD:

Hi,

my name is Jakub Cikhart and I am a webmaster of Desert Storm pages at www.dstorm.eu

I am also a modeller, so I bought this kit and found out that it has some errors in it.

I am trying to write a list of what could be updated/corrected.

You can check my pages at www.dstorm.eu and found more information and pictures there.

When you check following pages in instructions, I made some updates/pointings to the pictures, so study them closely.

Here are some corrections/updates/additions:

- if not specified otherwise, all interior structures are in Zinc Chromate Primer, FS 33481 so Step 3 - Part F22, Step 5 - Part A32 + A34 - paint it with Zinc Chromate Primer FS 33481
- wheel wells are not Grey FS 36622, but Gloss White FS 17875
- gear legs are not Grey FS 36622, but Gloss White FS 17875
- gear bay doors has inside color of Gloss White FS 17875
- gear bay doors has no edges in Gloss Red
- there were two types of fins for underwing tanks - one with 90 degree edges to the ground and one with slanted - check your pics
- if you decide to build Bronco in Camouflage B – BuNo. 155468, do not install M60C guns in sponsons, they were not used in Gulf war
- the kit is missing static discharger wicks - 2 x left vertical tail, 2 x right vertical tail, 1 x left wing tip trailing edge, 1 x right wing tip trailing edge

I strongly recommend using various additional detail sets to enhance the kit. Here is what you can buy for your kit:

Eduard - JX177 canopy mask, 32368 exterior, 32830 interior, 32831 seatbelts, 33146 ZOOM interior, BIG3350 BIG PE set

Scale Aircraft Conversions - SAC32093 white metal landing gear legs

Maketar - MM32121V canopy and markings masks

Aerocraft Models - metal gear legs

Master - MR32109 pitot tube

True Details - TDP32208 wheel set

Wolfpack - 32080 ejection seats

AMS Resin - 32111 wheels, 32113 ejection seats

Some additional colors which are not pointed out in the instructions:

- Part GP10, Part GP11, Part GP12, Part GP13, Part GP14, Part GP15, Part GP16, Part GP17 - formation lights - orange
- Part GP24 - left wingtip position light - clear red
- Part GP25 - right wingtip position light - clear green
- Part GP26 - lower anti-collision light - clear red
- Part GP27 - upper anti-collision light - clear red
- left vertical tail - tip - position light - white light

Here are some corrections for camouflage options:

Option A – BuNo. 155498/MU-51 from VMO-4 – probably from year 1992 – camouflage scheme is correct

Option B – BuNo. 155468/UU-21 from VMO-2 – from 1991 Operation Desert Storm – camouflage scheme is correct, but the letters/numbers should be the opposite color of base color. Also, the kit is missing some antennas and some other colors of various parts are not correct. Check my pages at www.dstorm.eu for more info and corrections.

Option C – BuNo.15547/UM-107 – camouflage scheme is based on OV-10A and it is from National Naval Aviation Museum, Pensacola, Florida

Option D – BuNo. 155479/UU-753 – probably from 1991. The camouflage colors in the instructions are wrong. The plane was in original „Lizzard“ camouflage consisting of FS 34095 Field Green, FS 35237 Dark Blue Grey and FS 37038 Matt Black on all surfaces. They replaced FS 34095 Field Green and FS 37038 Matt Black with FS 36375 Light Compass Ghost Grey. So the correct camouflage colors are FS 36375 Light Compass Ghost Grey – C308 and FS 35237 Dark Blue Grey – C337. Follow the corrected color scheme at the end of instructions here. Some other colors of various antennas etc. are also not correct, check www.dstorm.eu for more info and corrections.

Here are some links to various sites with builds to help you build better Bronco from the kit:

<https://www.themodellingnews.com/2015/03/big-buckin-bronco-built-up-kittyhawks.html>

<https://www.themodellingnews.com/2015/03/taming-bronco-kittyhawks-32nd-ov-10.html>

<https://forum.largescaleplanes.com/index.php?/topic/53397-kitty-hawk-ov-10d-bronco-vmo-4/>

<https://www.largescaleplanes.com/articles/article.php?aid=2203>

<https://www.largescaleplanes.com/articles/article.php?aid=2226>

And I really recommend buying this PDF instructions from Glen Hoover where you can find step-by-step of how to build your Bronco better:

<https://glennhoovermodels.com/books/ov-10d-bronco/index.html>

Anyway, if you want to know more or add some info or share pictures/thoughts, do not hesitate to contact me at

administrator@dstorm.eu

or visit my pages at

www.dstorm.eu

where you can find more info and details about Gulf war planes, Broncos included.

Thank you very much and happy modelling.

Jakub Cikhart

Instruction

拼装說明書



KITTY
HAWK

1:32 scale

OV-10D

OV-10D "ブロンコ"

"BRONCO"

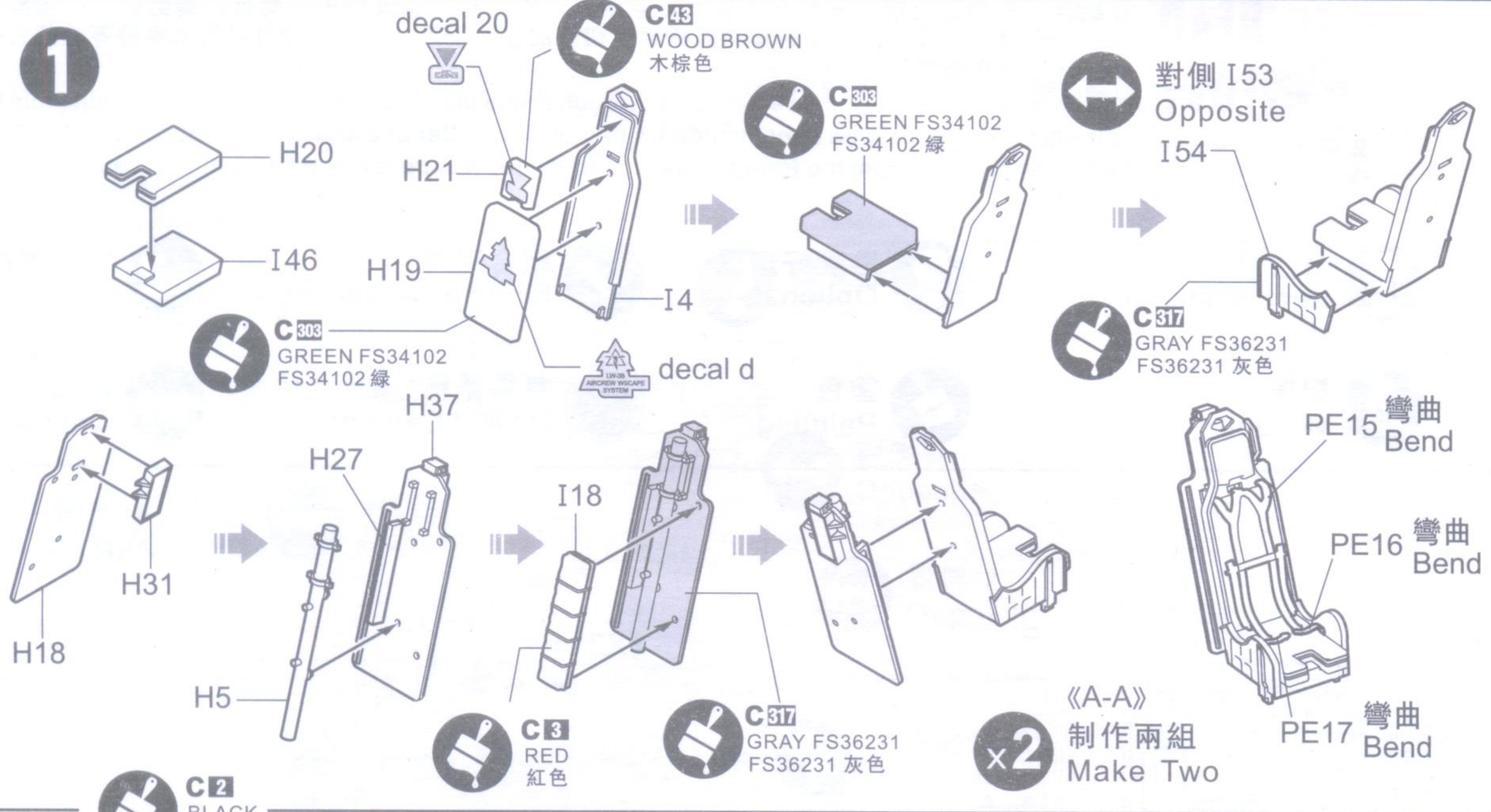


Please visit our web site at
www.kittyhawkmodel.com

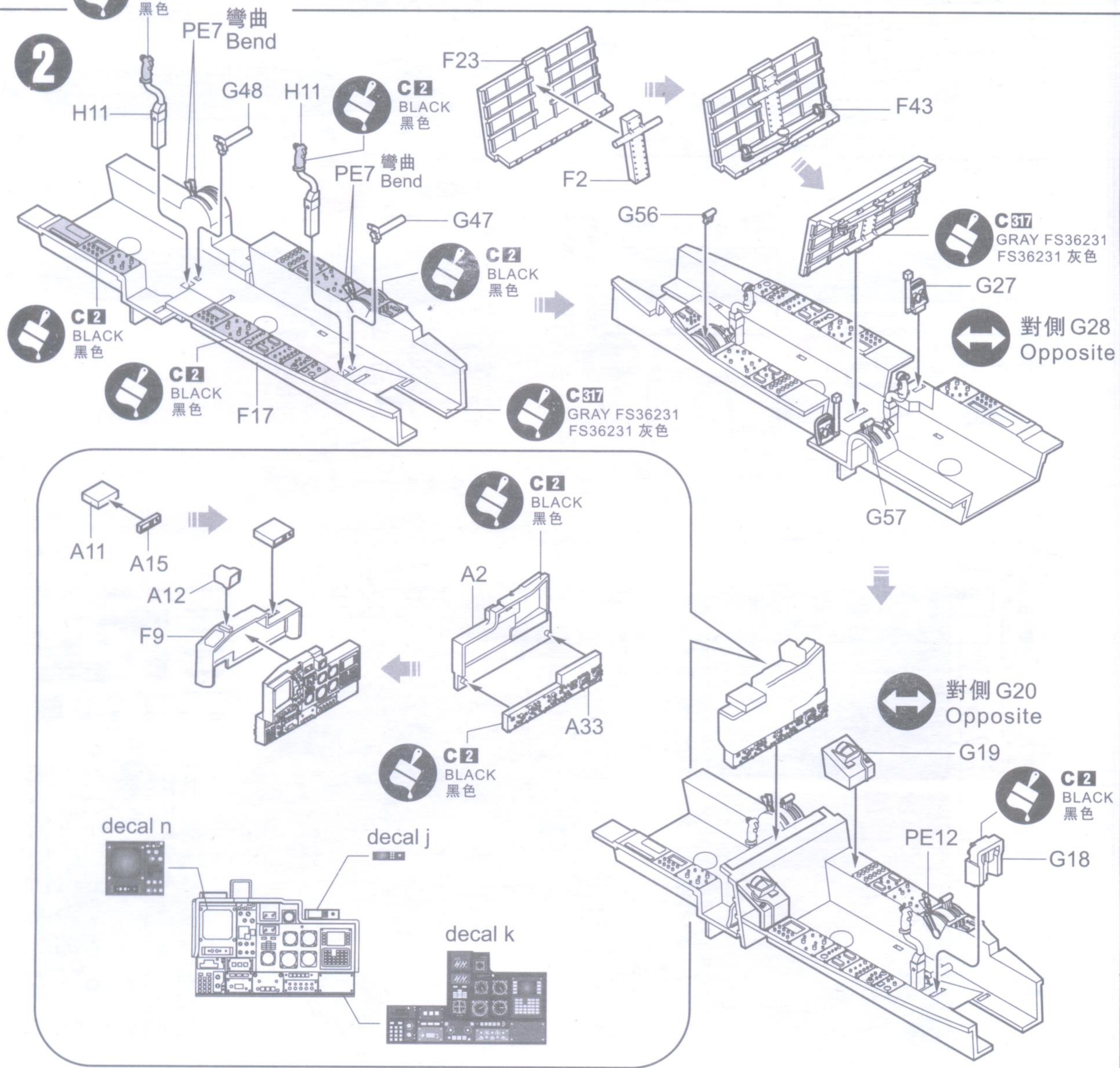
OV-10D "野馬"觀察機

KH32003

1



2



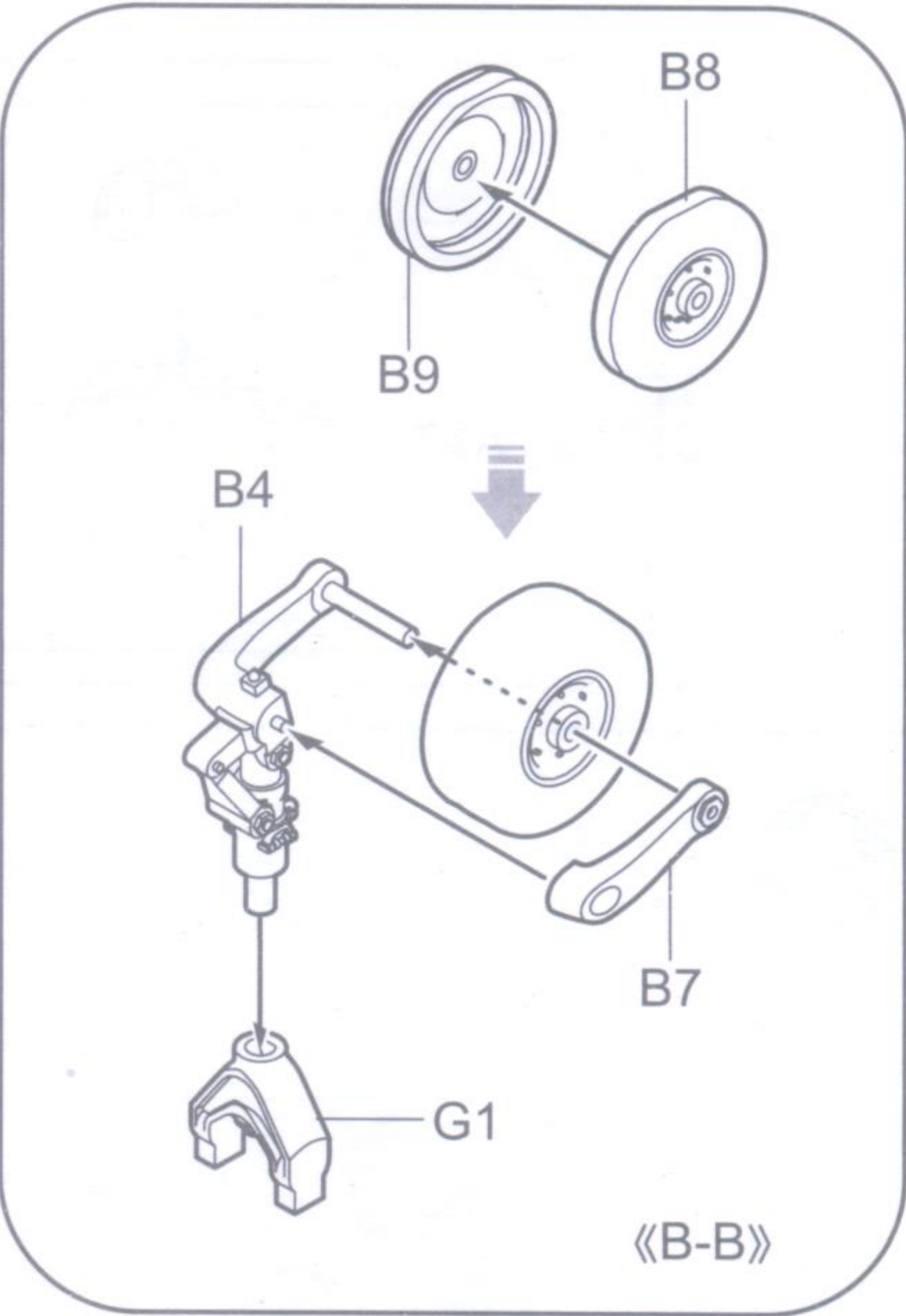
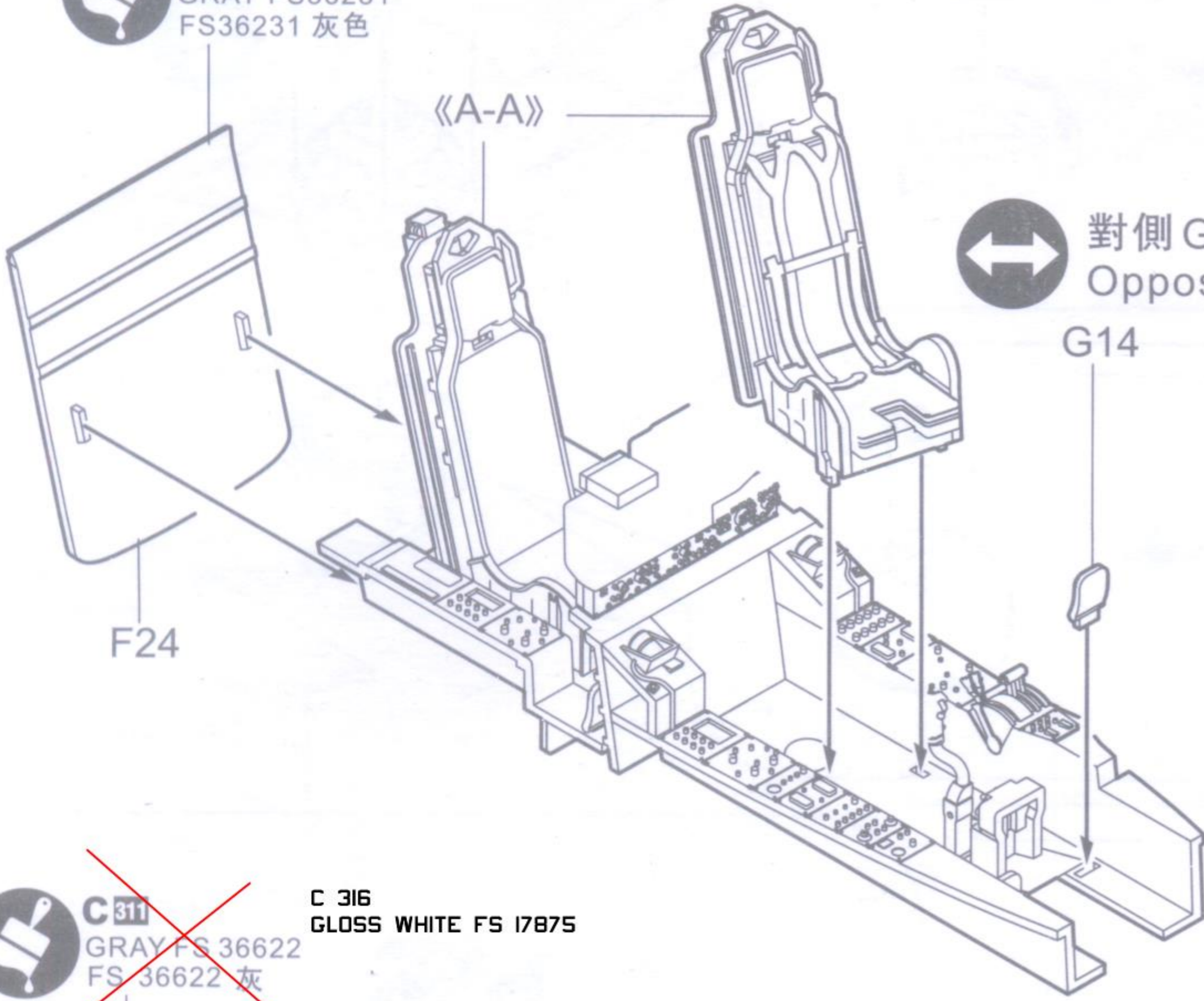
3

~~C317~~
GRAY FS36231
FS36231 灰色

《A-A》

對側 G15
Opposite

G14



~~C311~~
GRAY FS 36622
FS 36622 灰

C 316
GLOSS WHITE FS 17875

C 316
GLOSS WHITE FS 17875

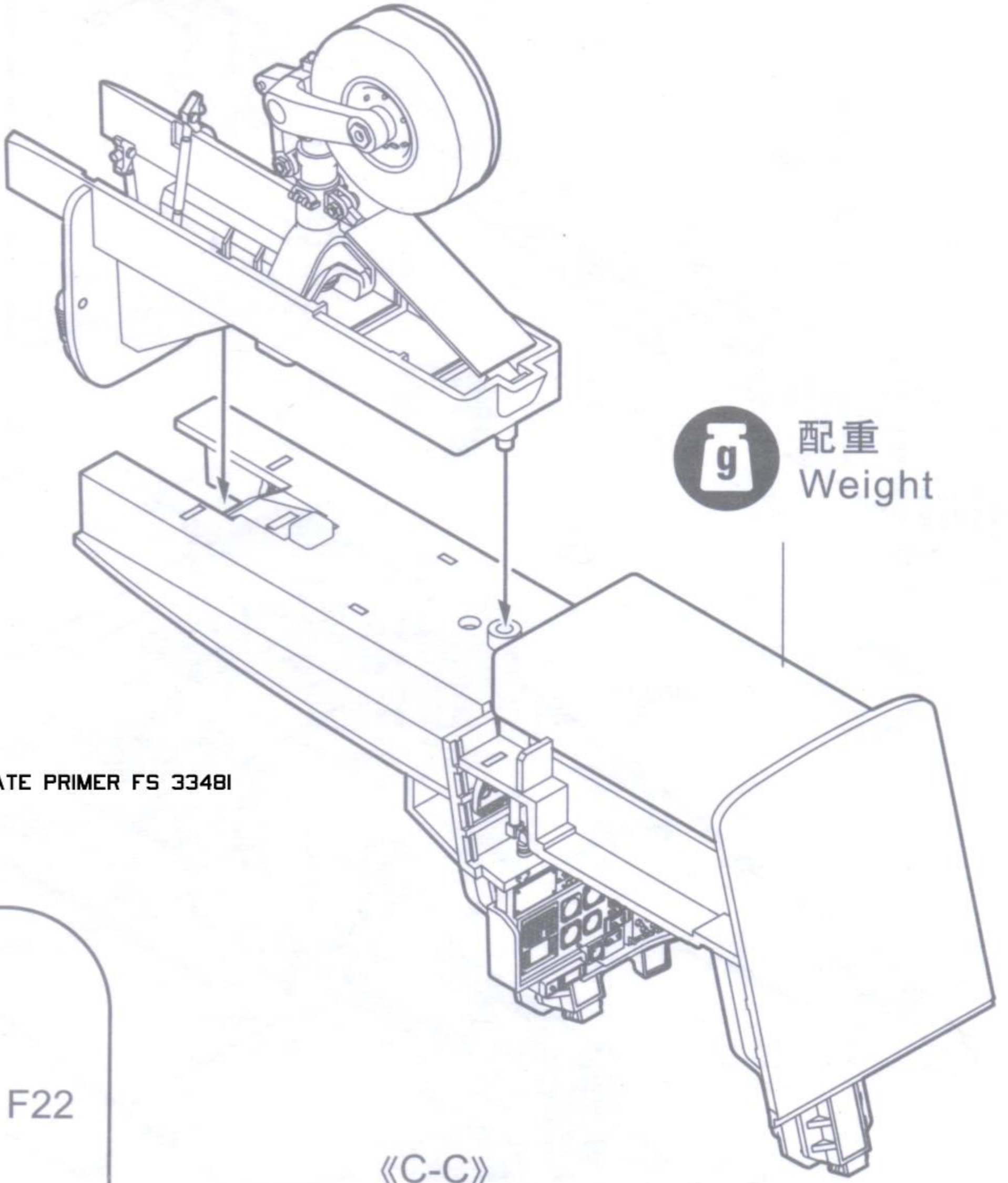
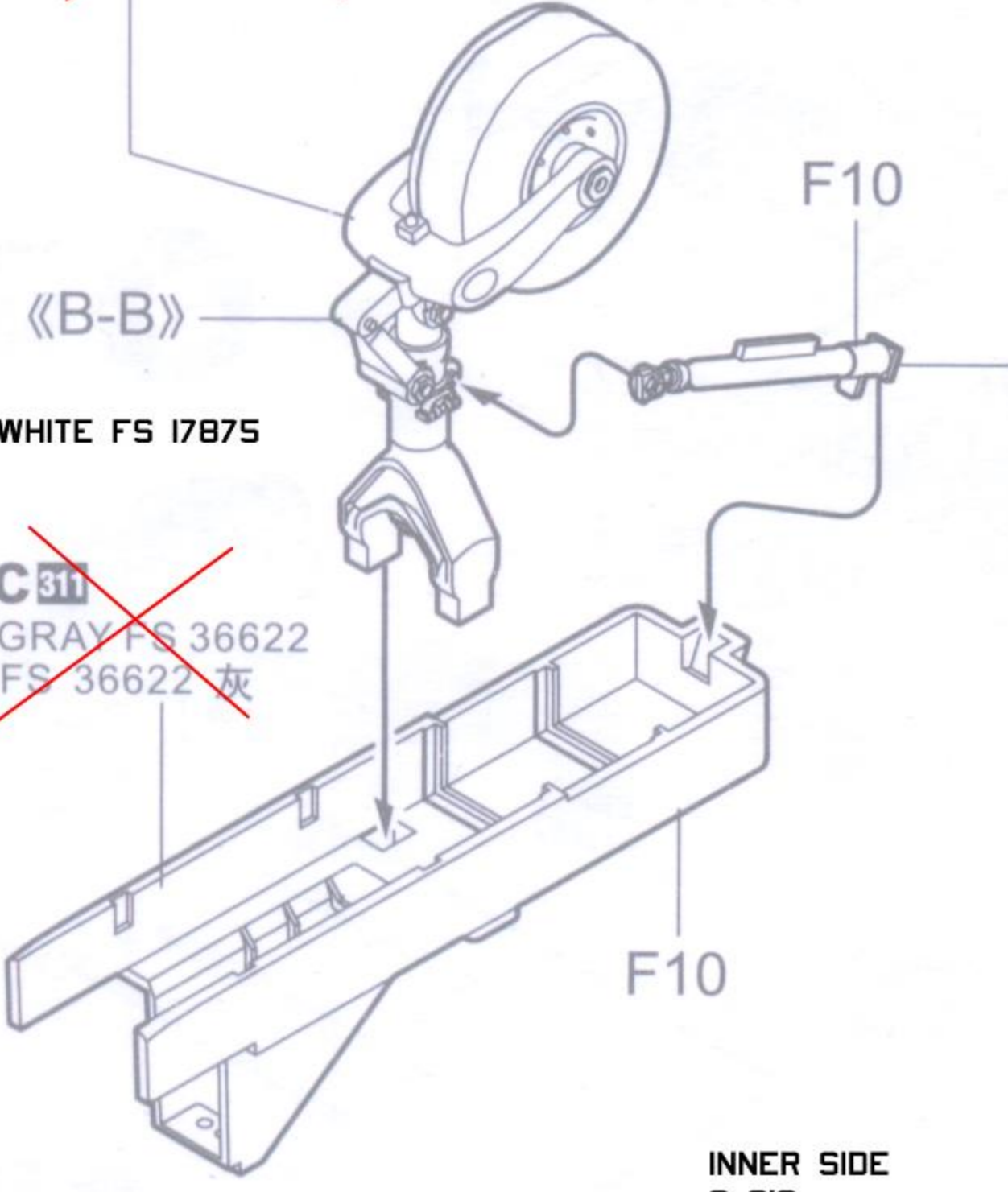
~~C311~~
GRAY FS 36622
FS 36622 灰

C 316
GLOSS WHITE FS 17875

~~C311~~
GRAY FS 36622
FS 36622 灰

《B-B》

F10



配重
Weight

INNER SIDE
C 316
GLOSS WHITE FS 17875

C 316
GLOSS WHITE FS 17875

G35

C 352
ZINC CHROMATE PRIMER FS 3348I

G4

《C-C》

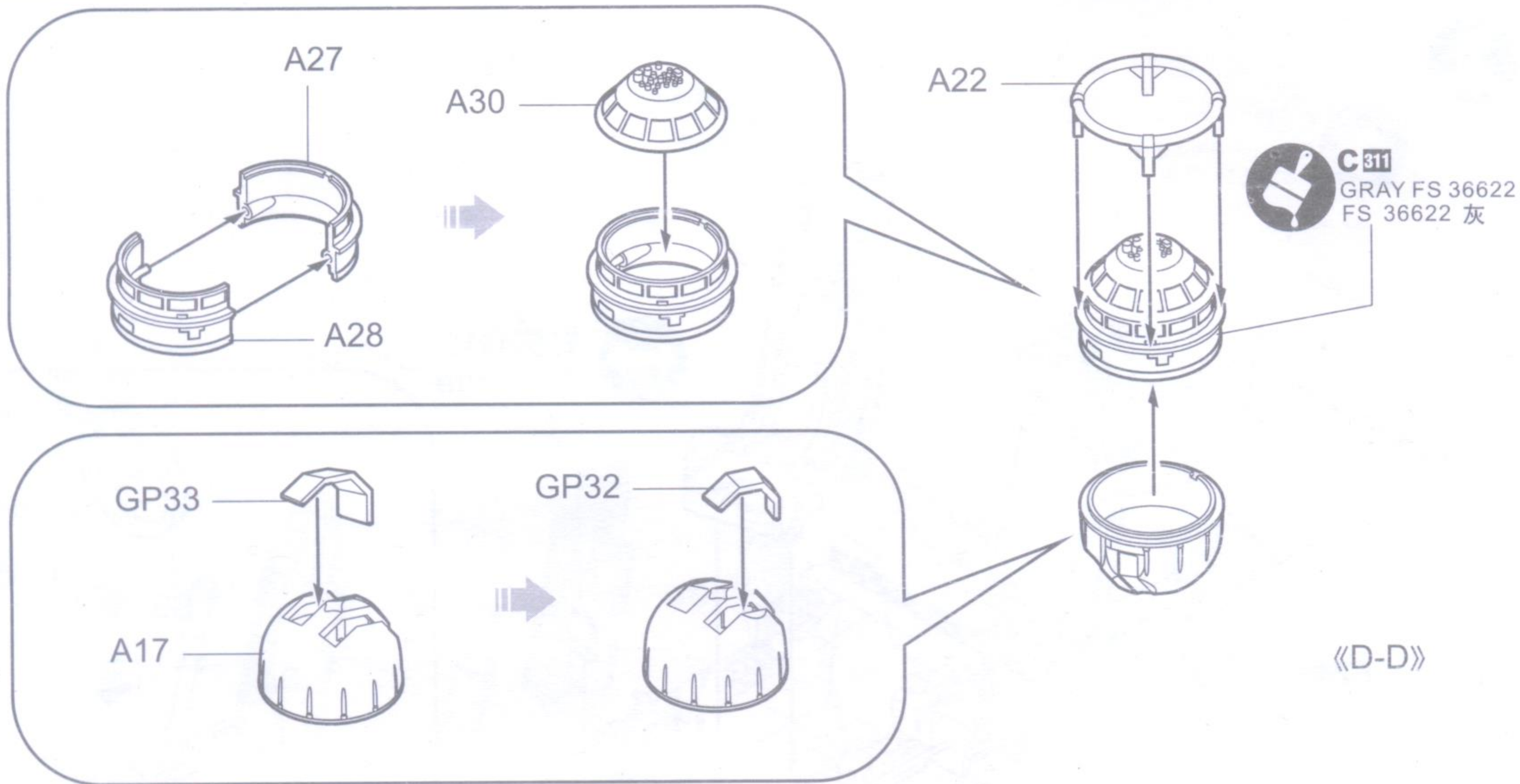
C2
BLACK
黑色

F22

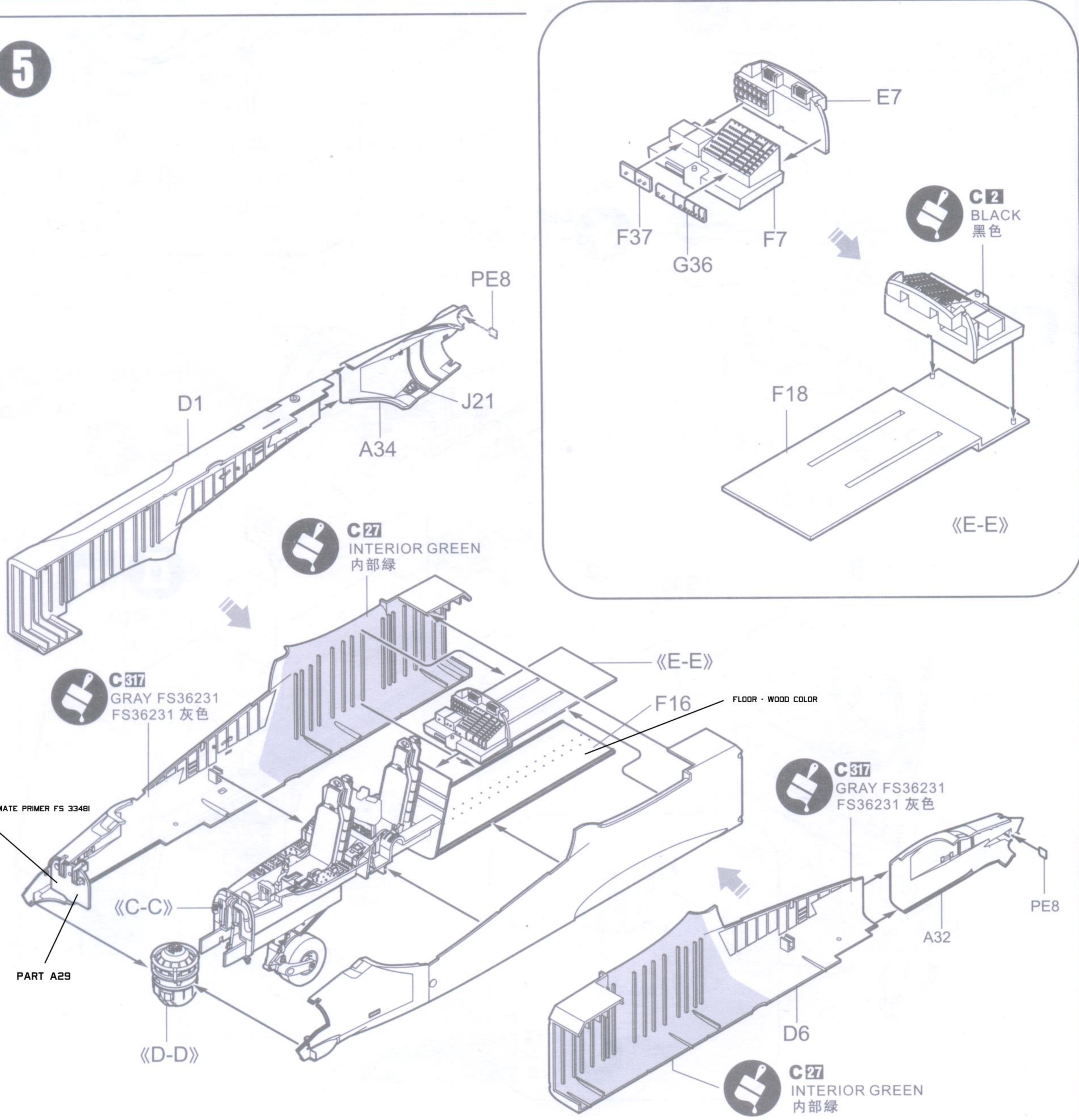
G37



4

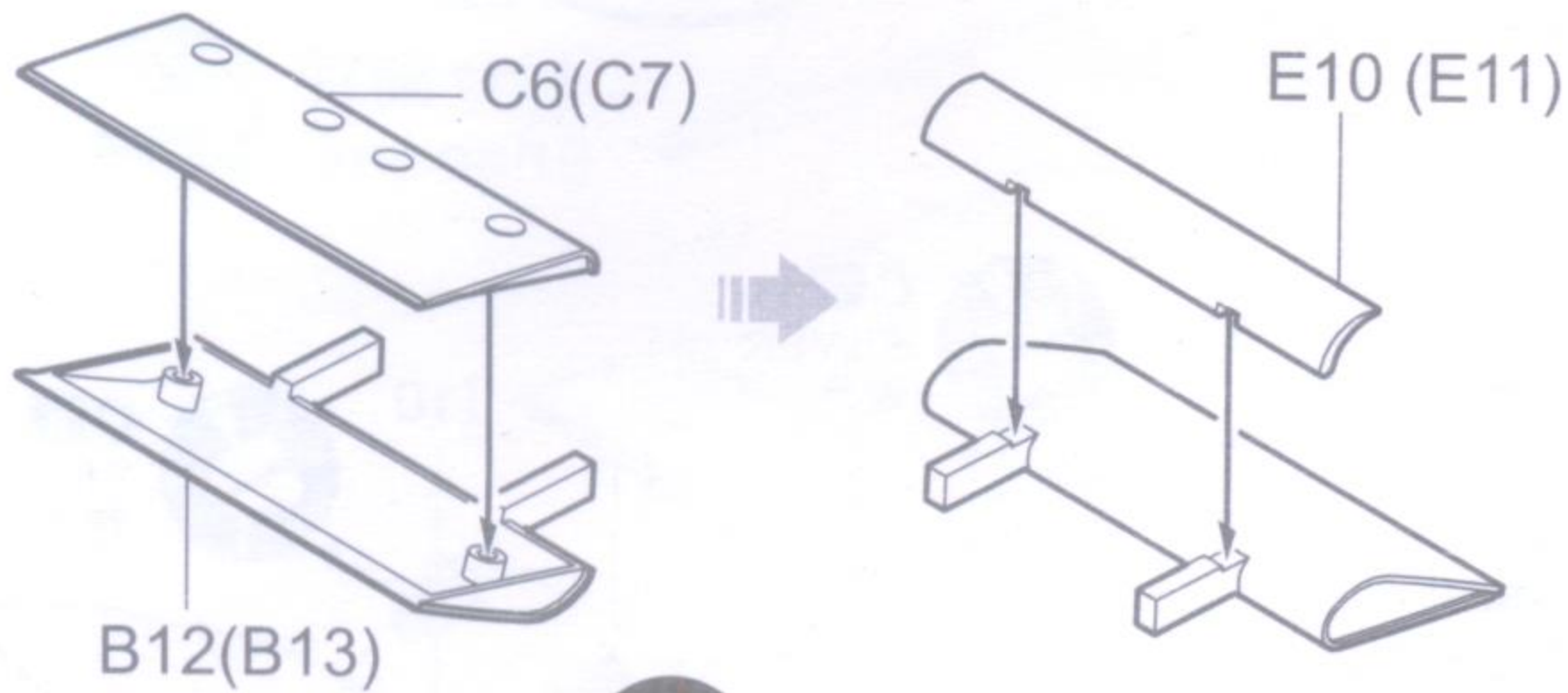
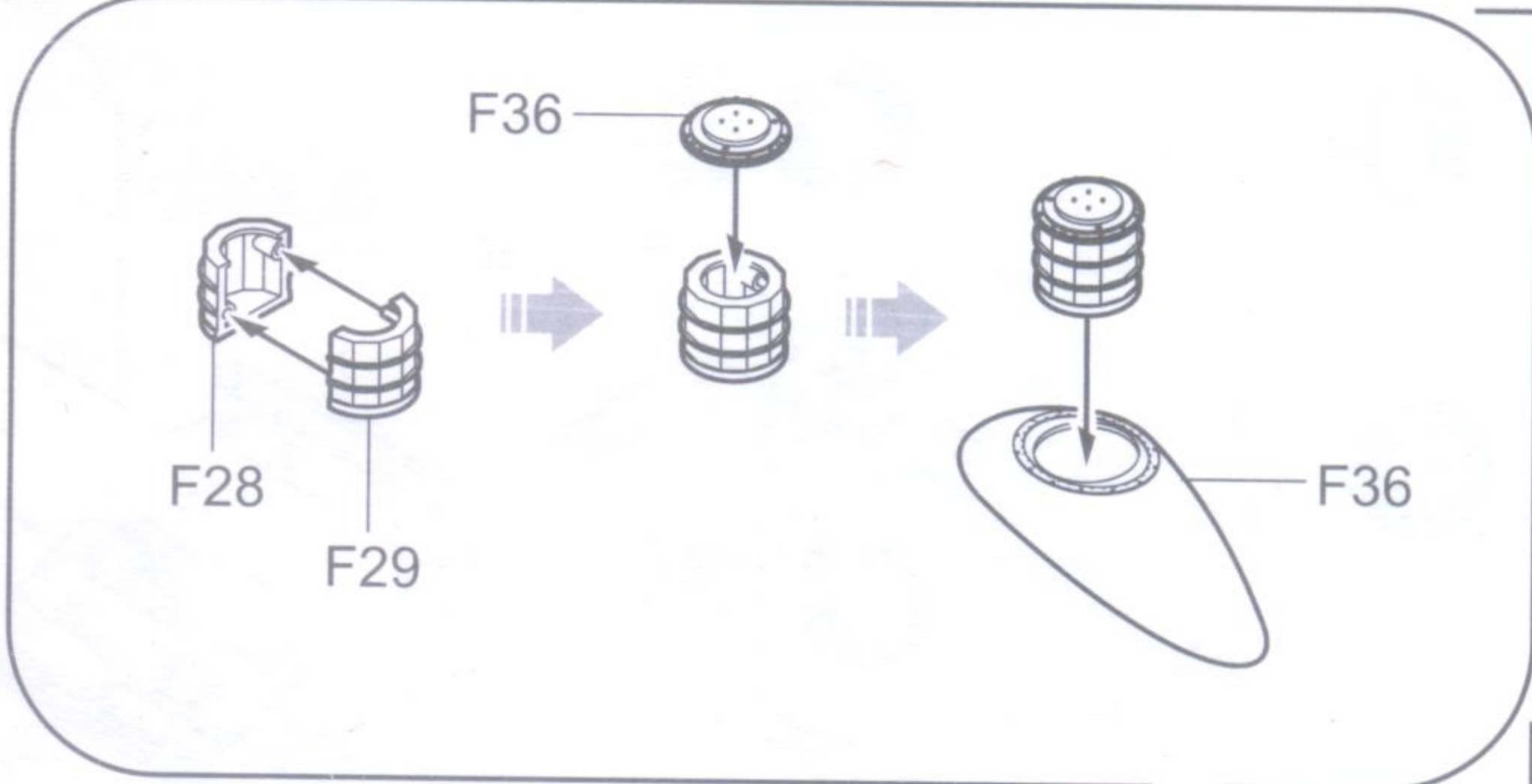
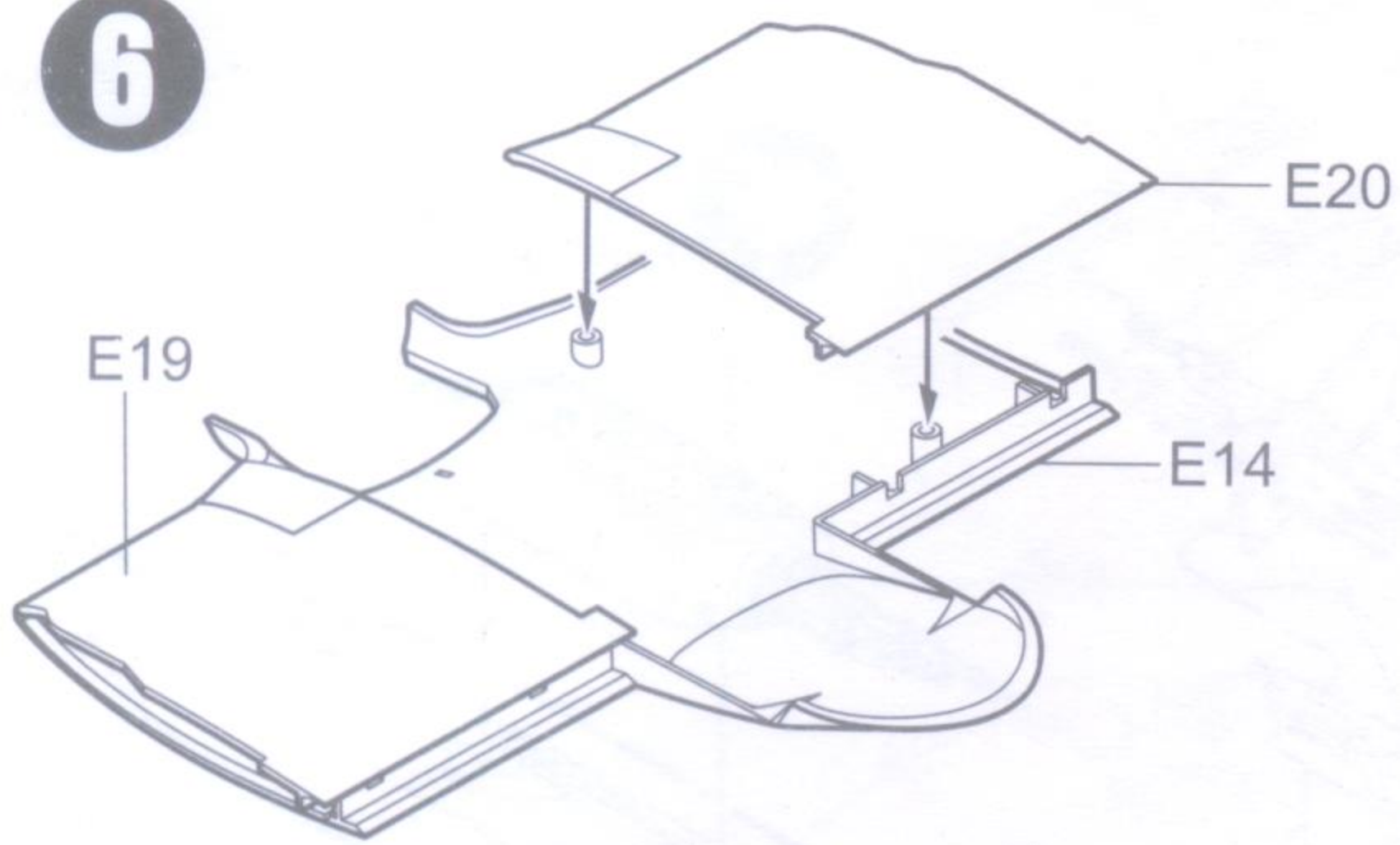


5

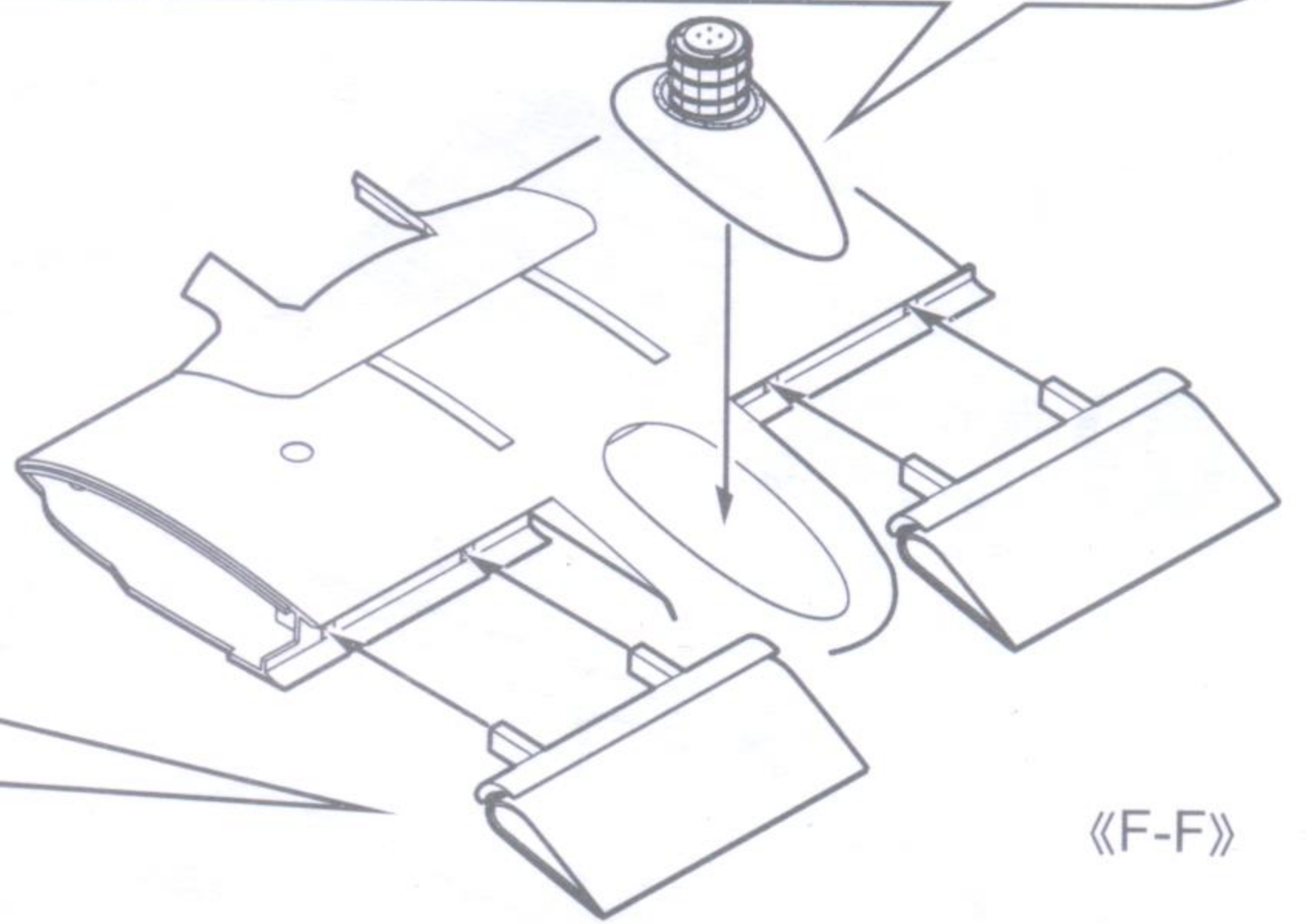


C 352 ZINC CHROMATE PRIMER FS 3348I

6

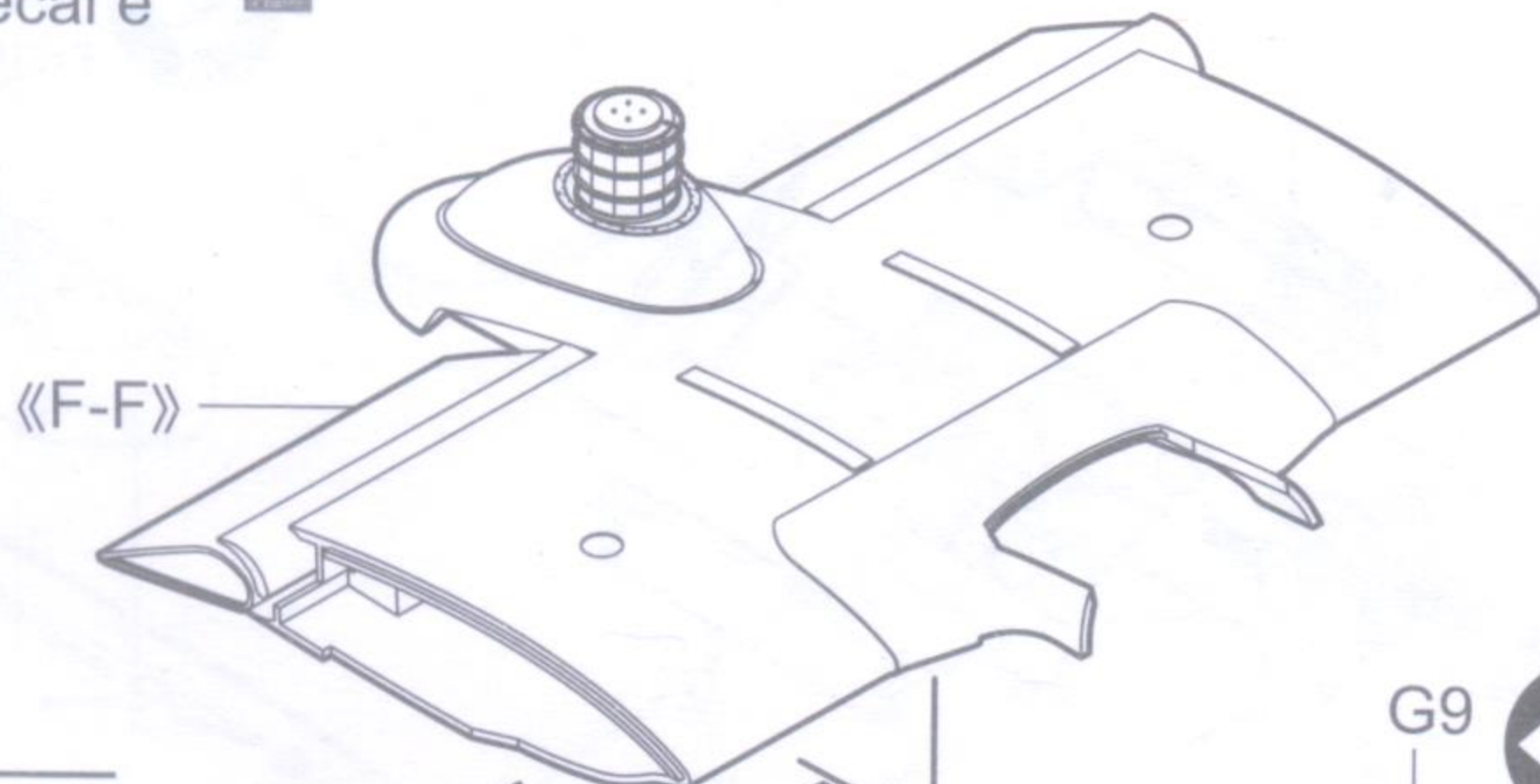
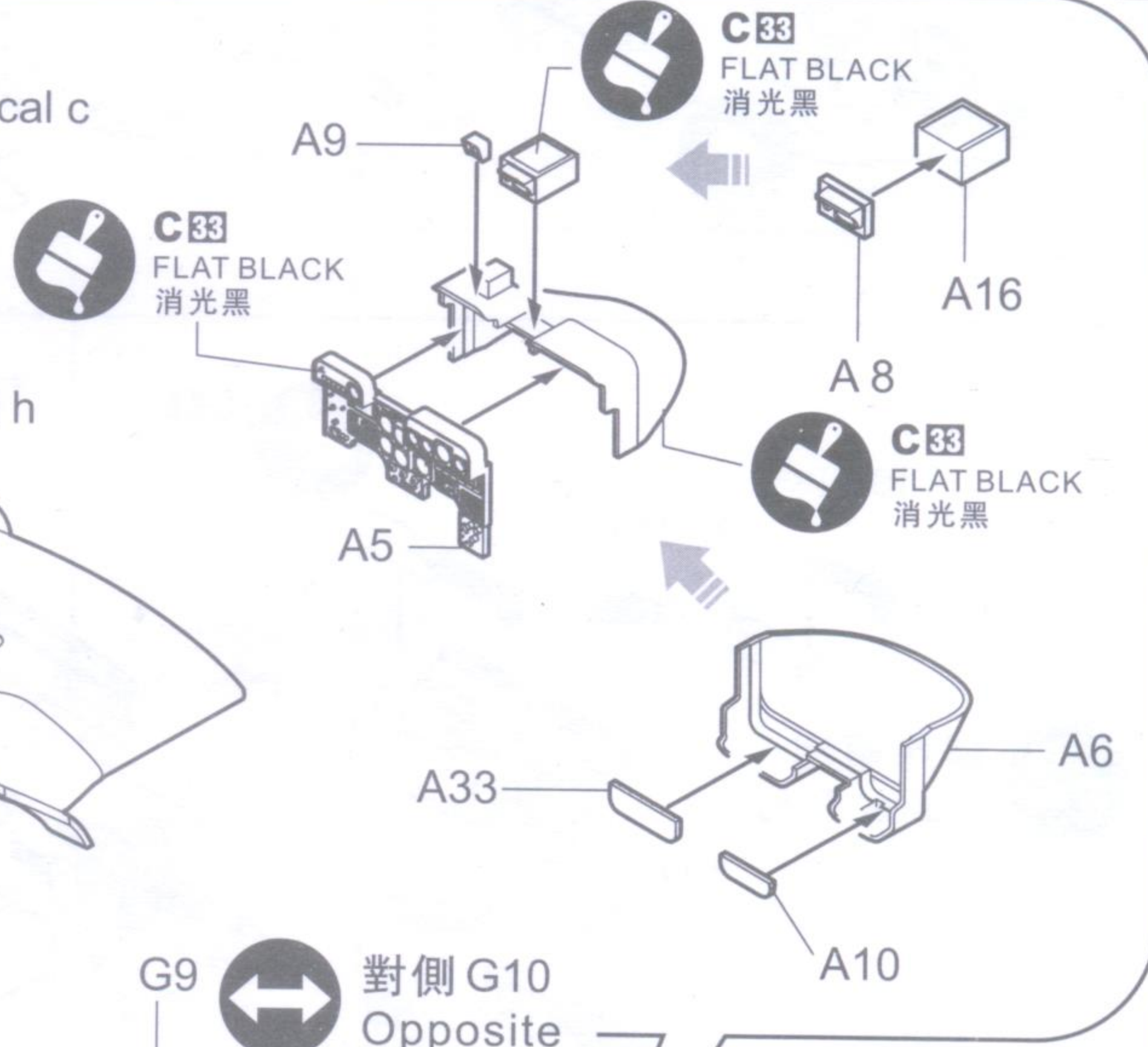
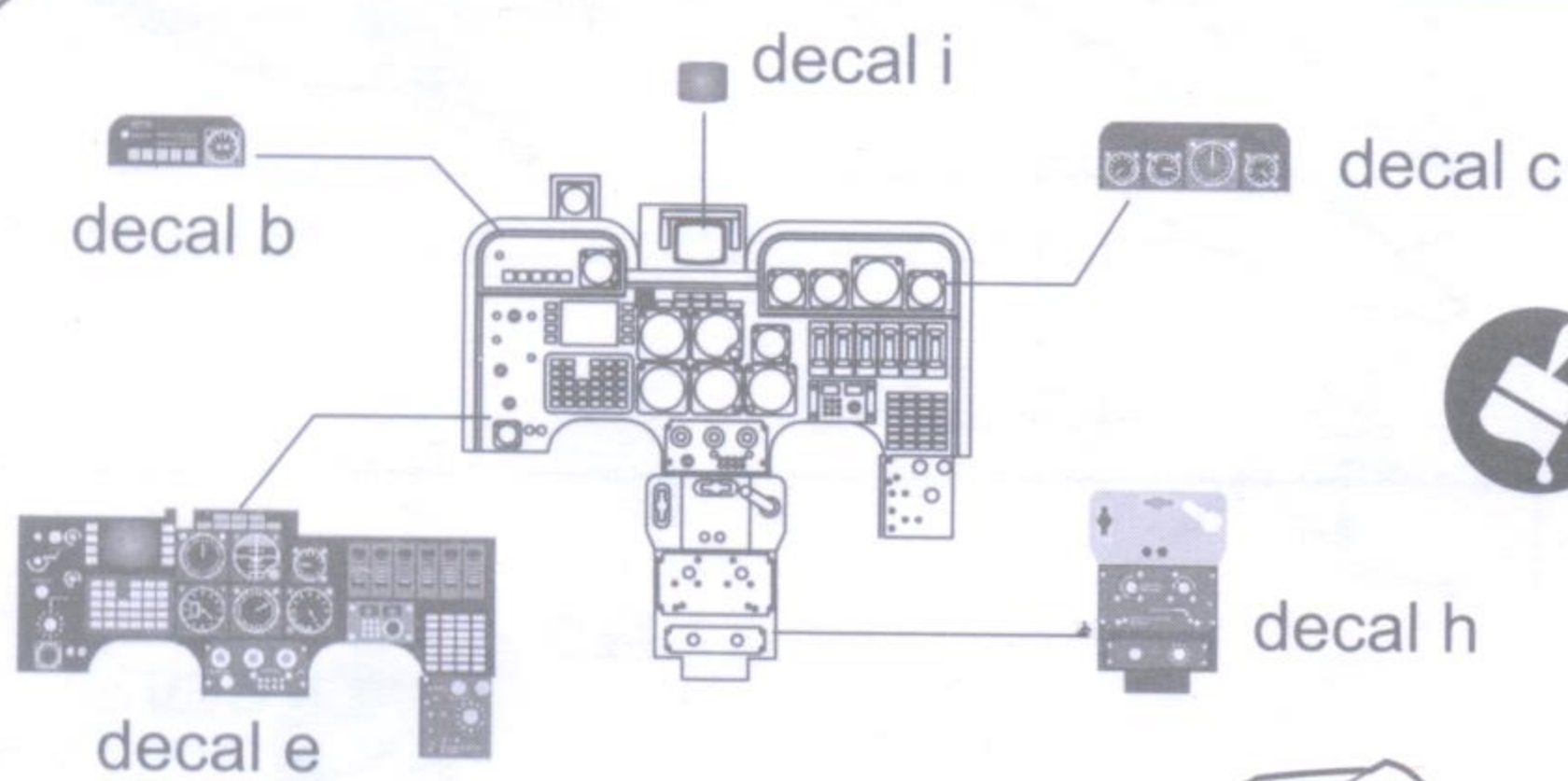


x2 制作兩組
Make Two



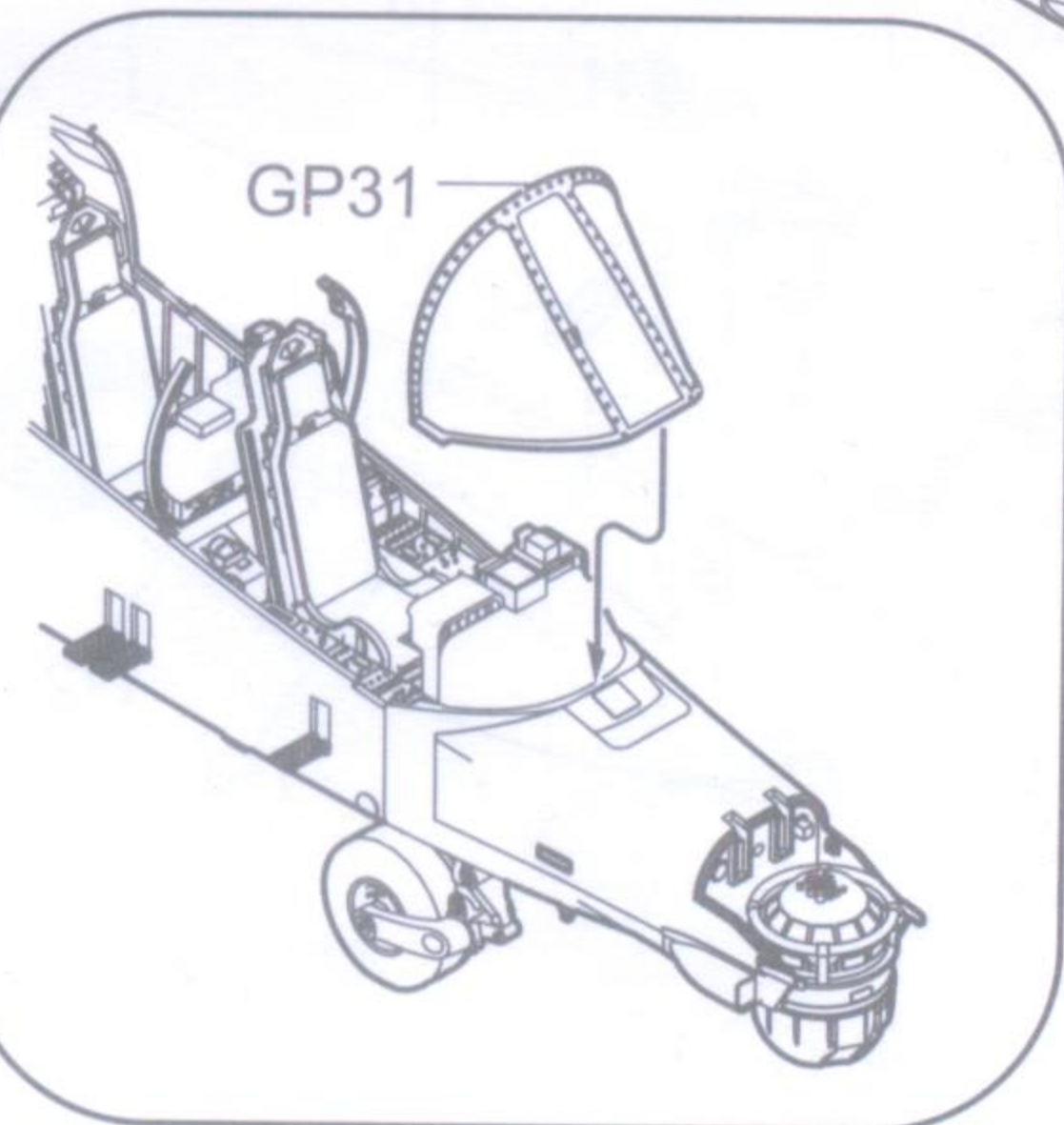
《F-F》

7



《F-F》

對側 G10
Opposite



C3 RED
紅色

D16,17,18,19

對側 GP11
Opposite

8

C61
BURNT IRON
燒鐵色

C61
BURNT IRON
燒鐵色

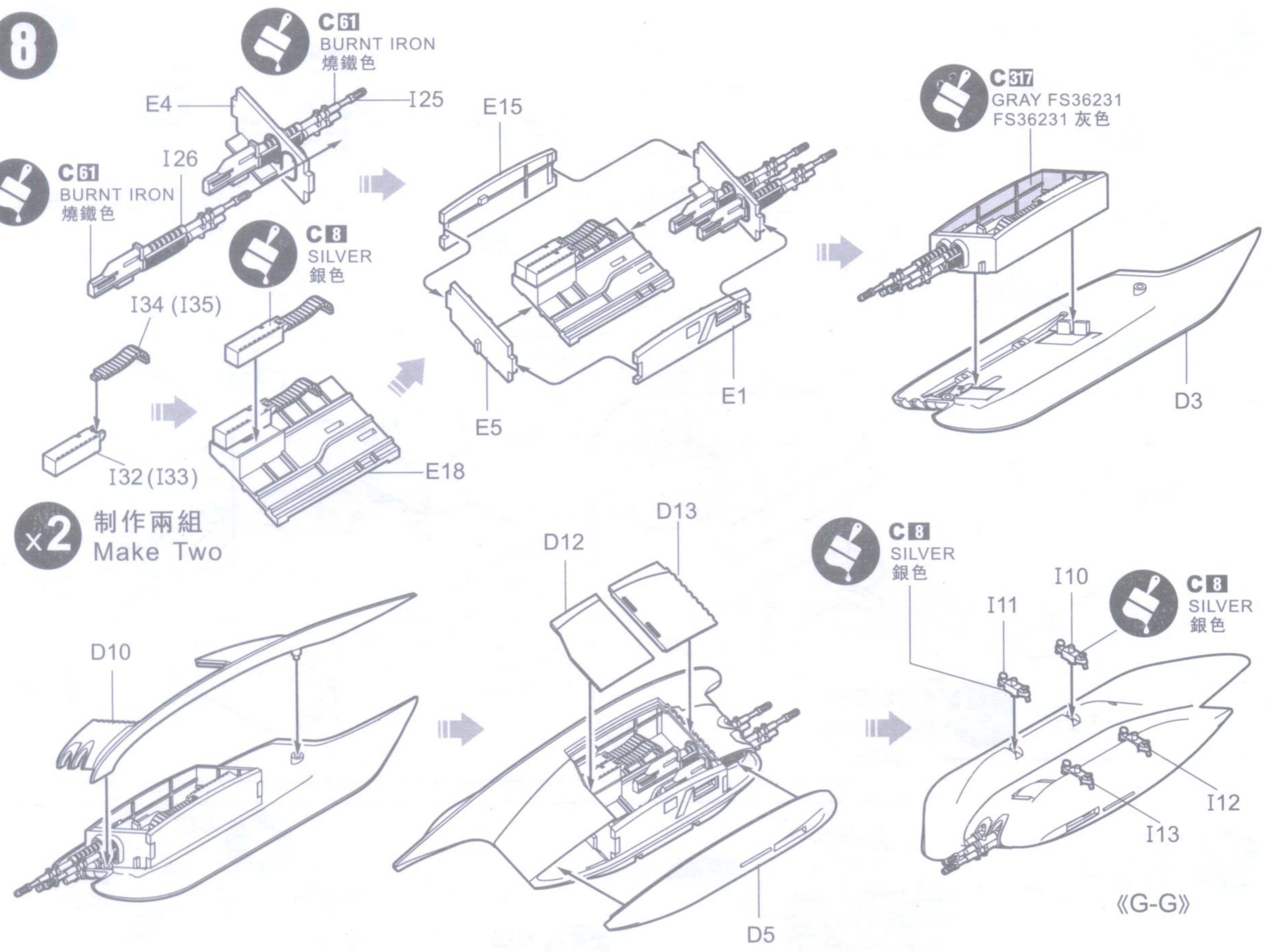
C8
SILVER
銀色

C317
GRAY FS36231
FS36231 灰色

x2 制作兩組
Make Two

C8
SILVER
銀色

C8
SILVER
銀色



x2 制作兩組
Make Two

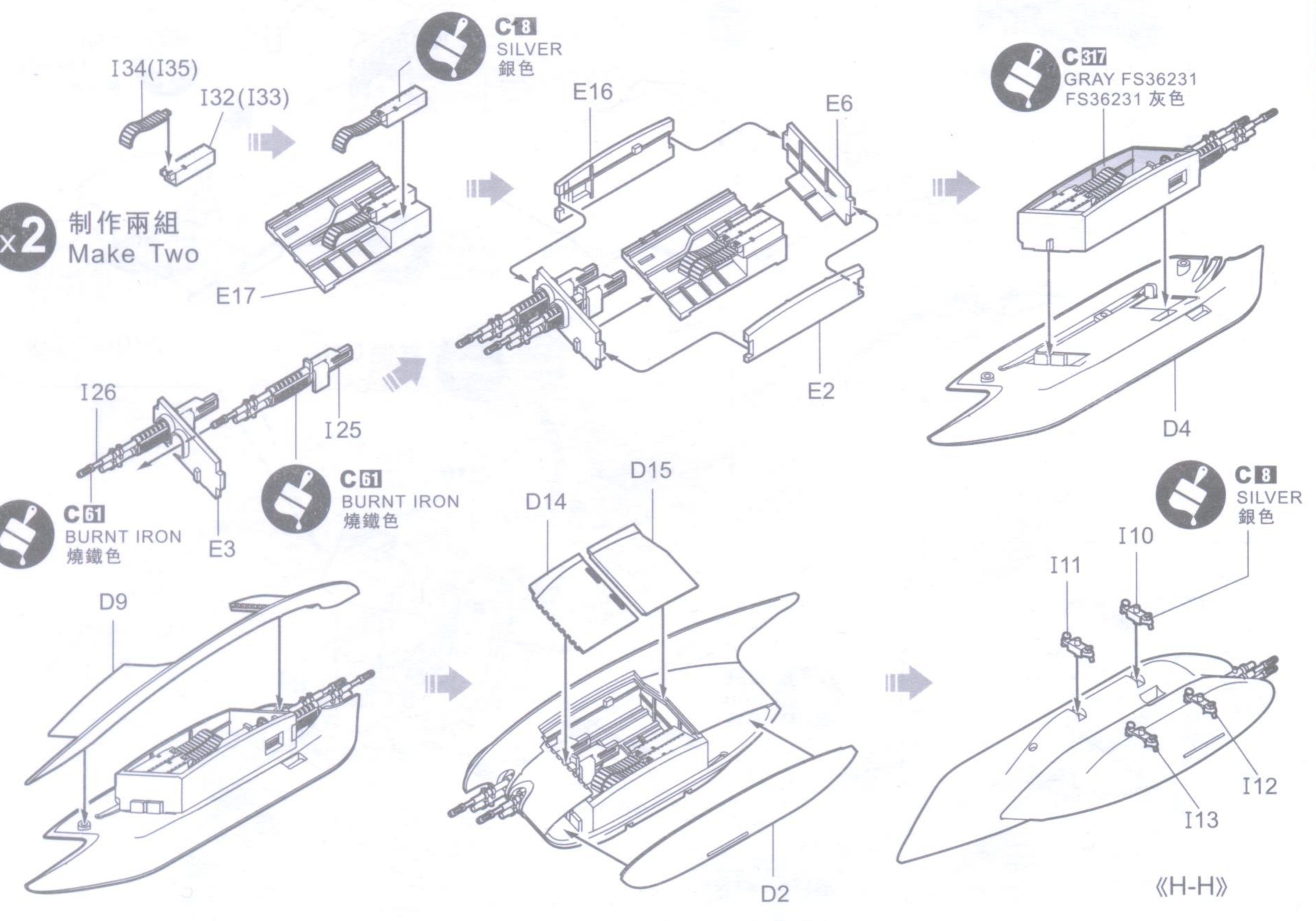
C8
SILVER
銀色

C317
GRAY FS36231
FS36231 灰色

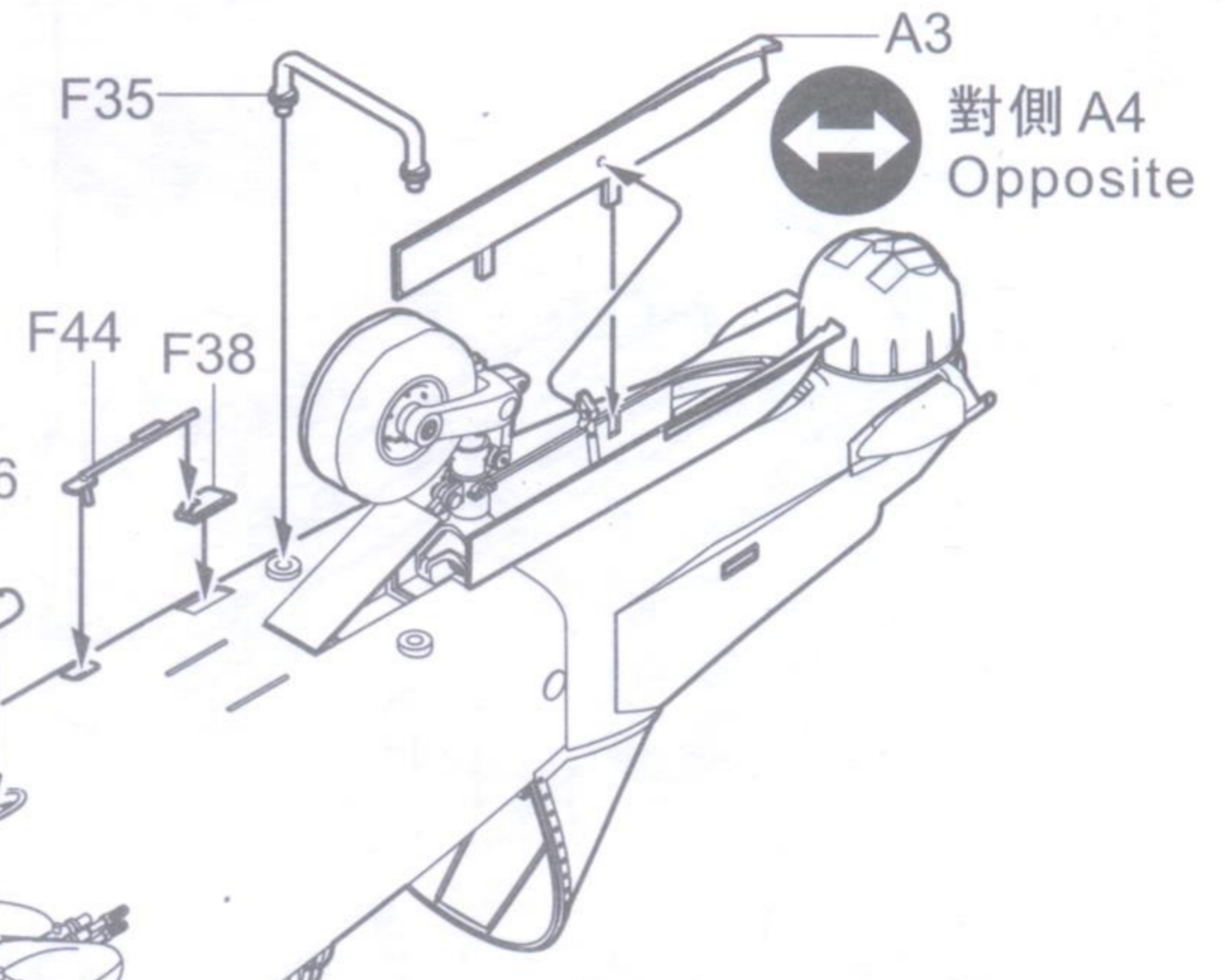
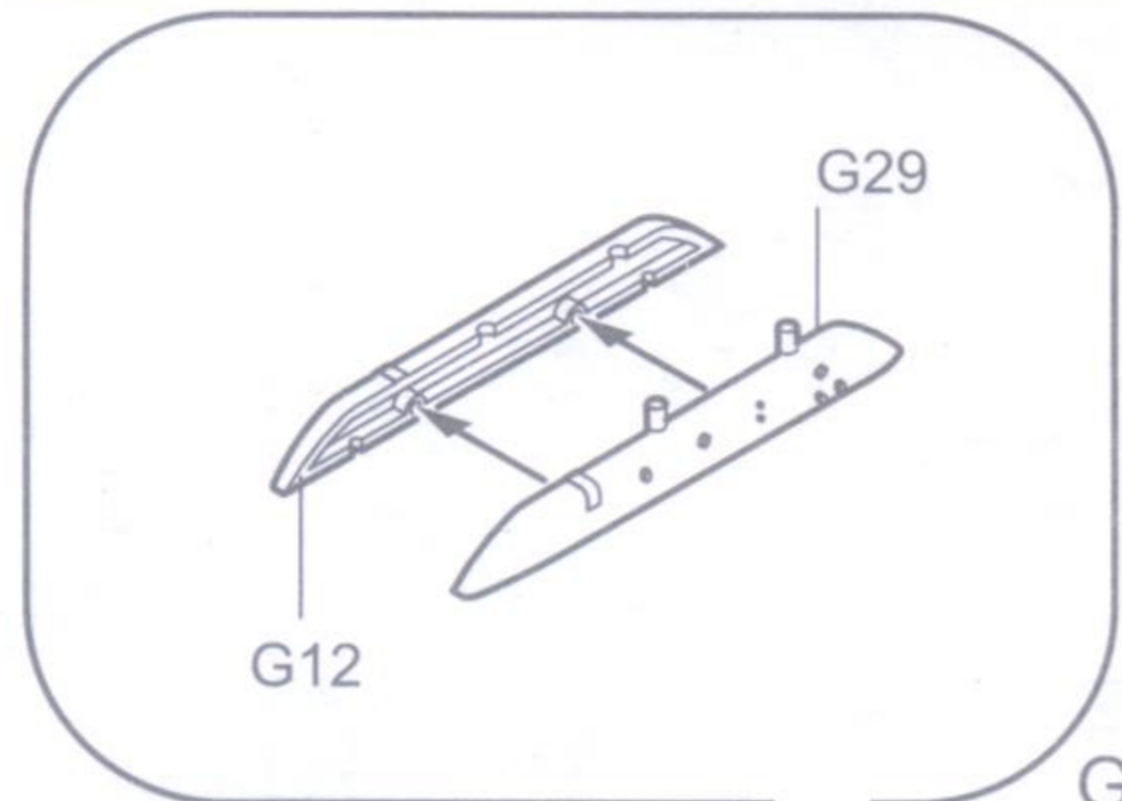
C61
BURNT IRON
燒鐵色

C61
BURNT IRON
燒鐵色

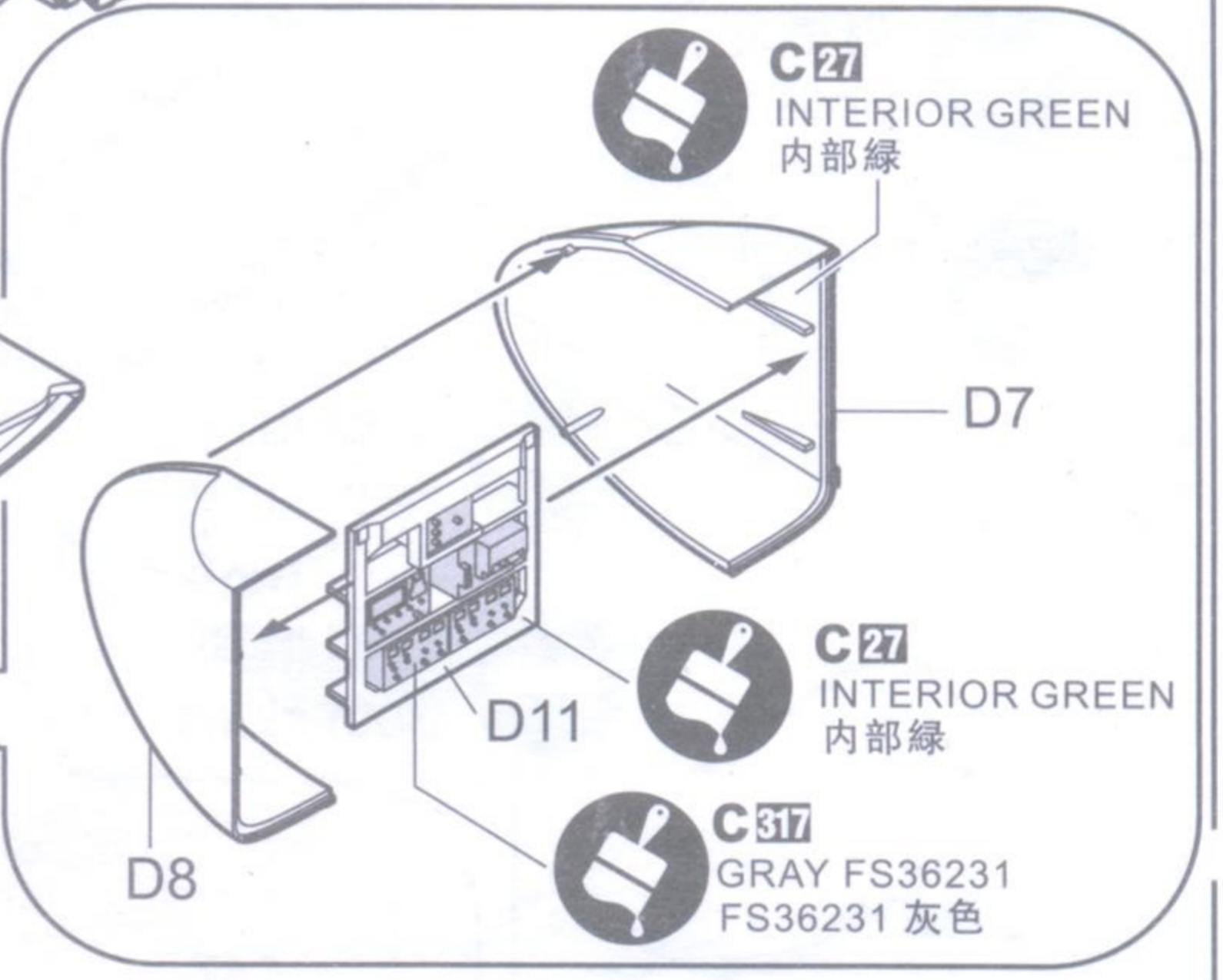
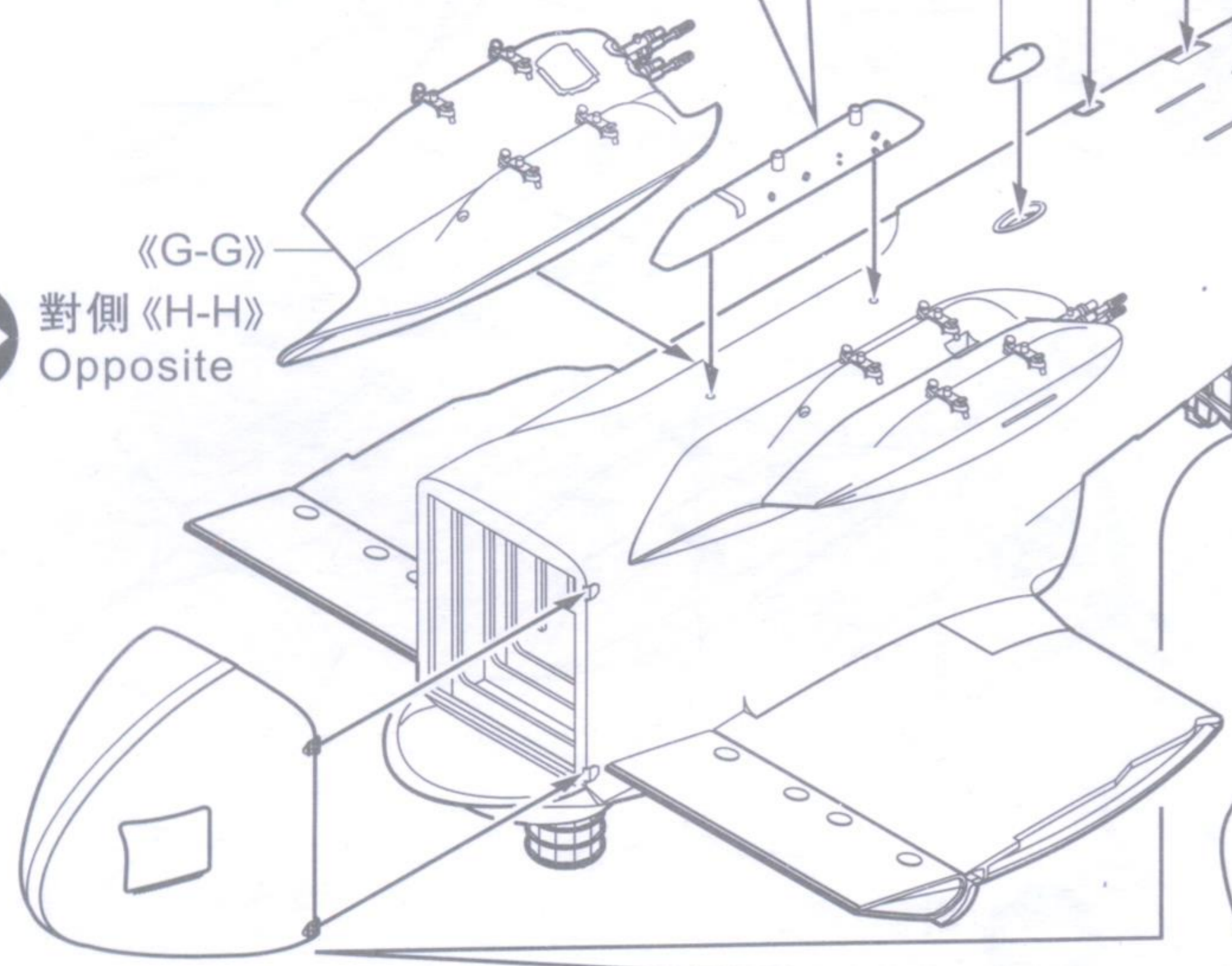
C8
SILVER
銀色



9



《G-G》
對側《H-H》
Opposite

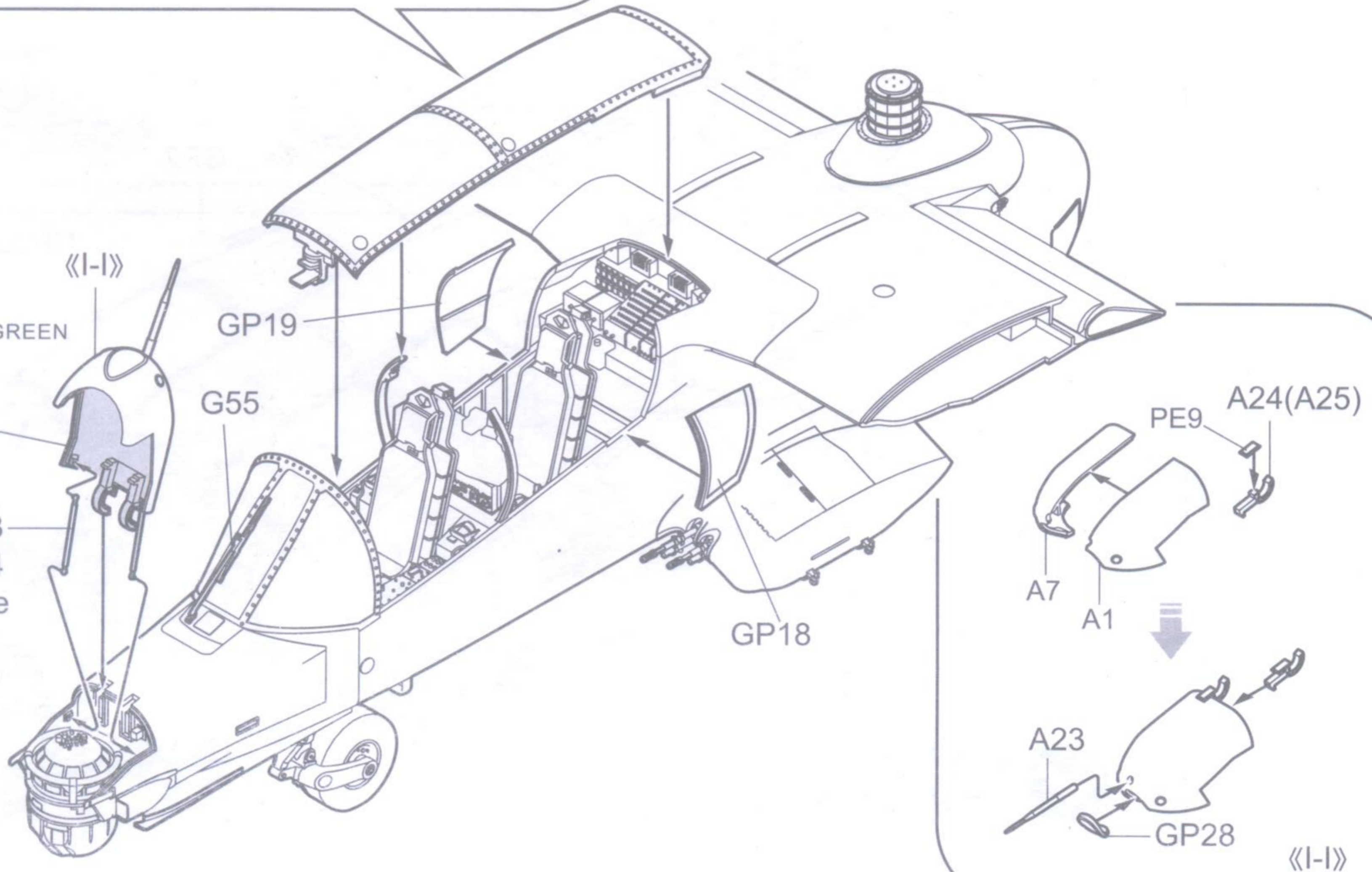


10

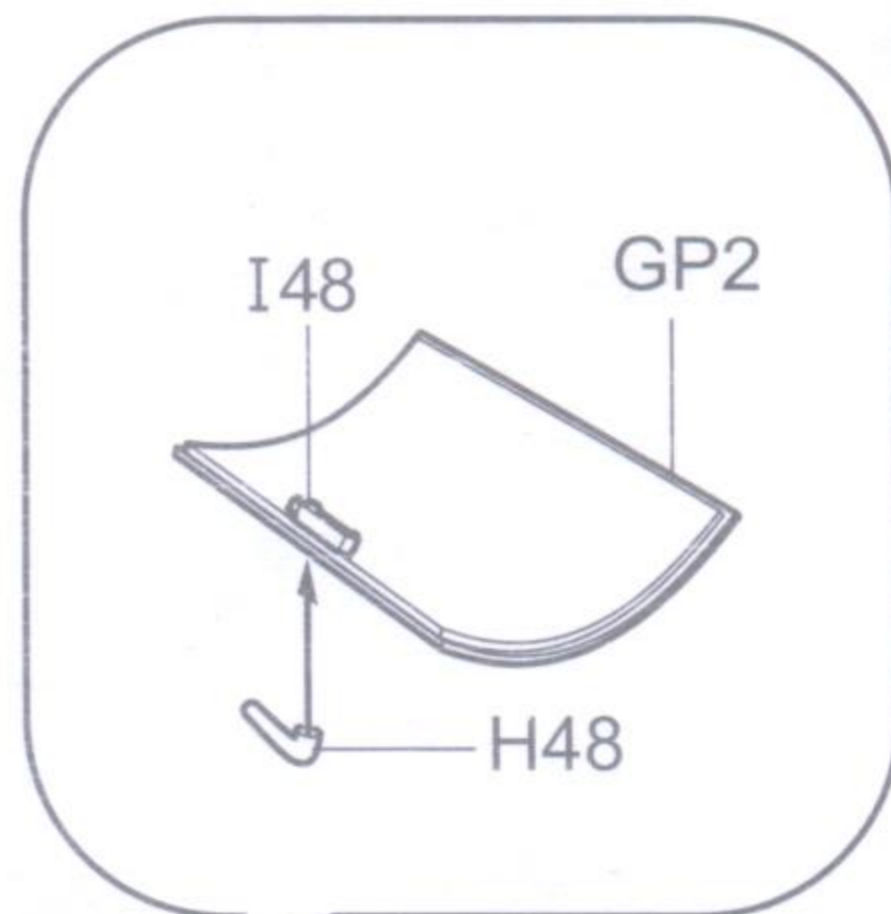
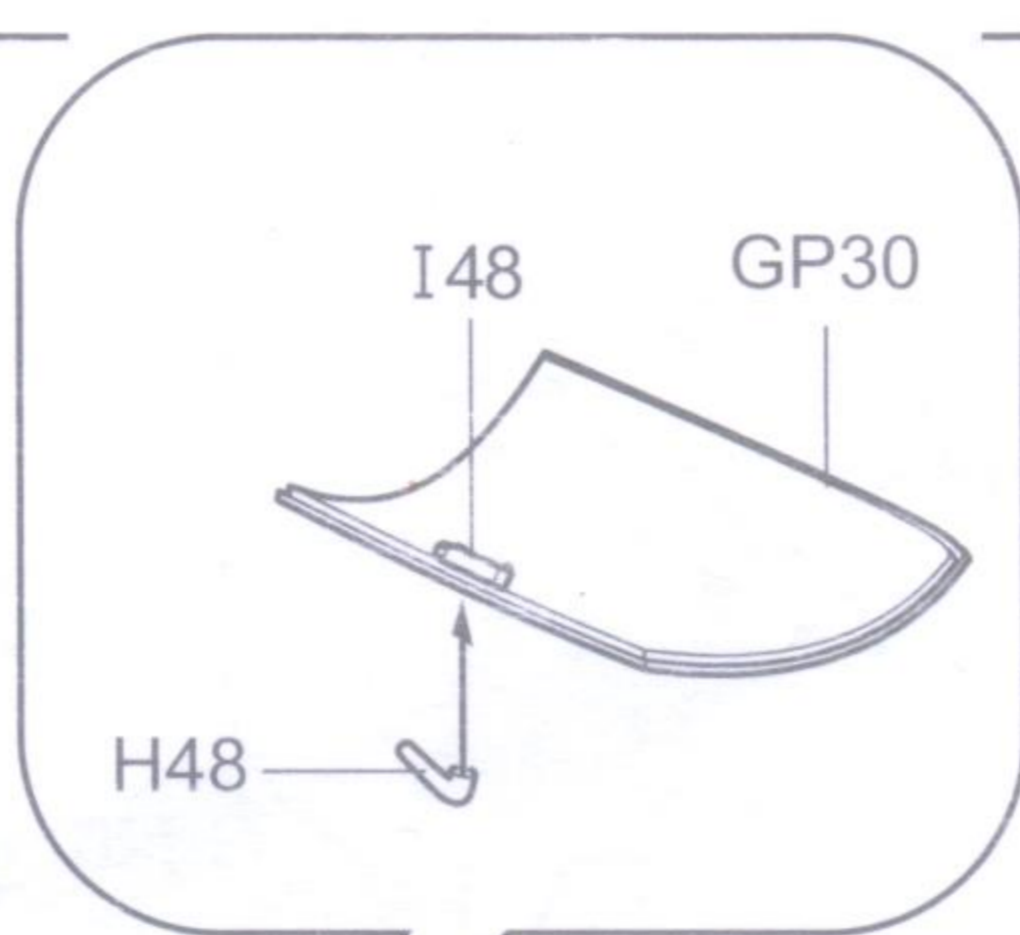


《I-I》
C27 INTERIOR GREEN 内部綠

A13 對側 A14 Opposite



11



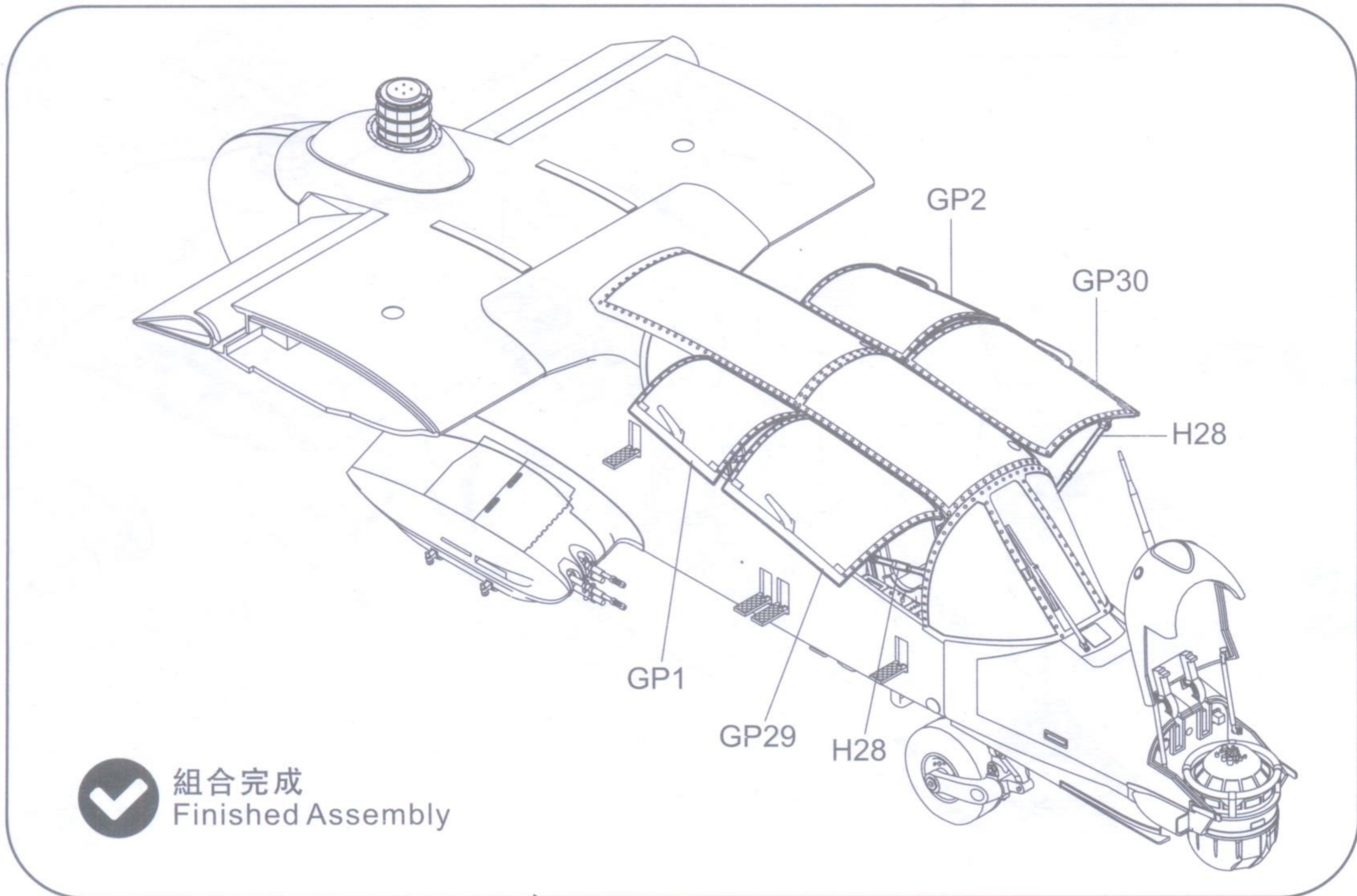
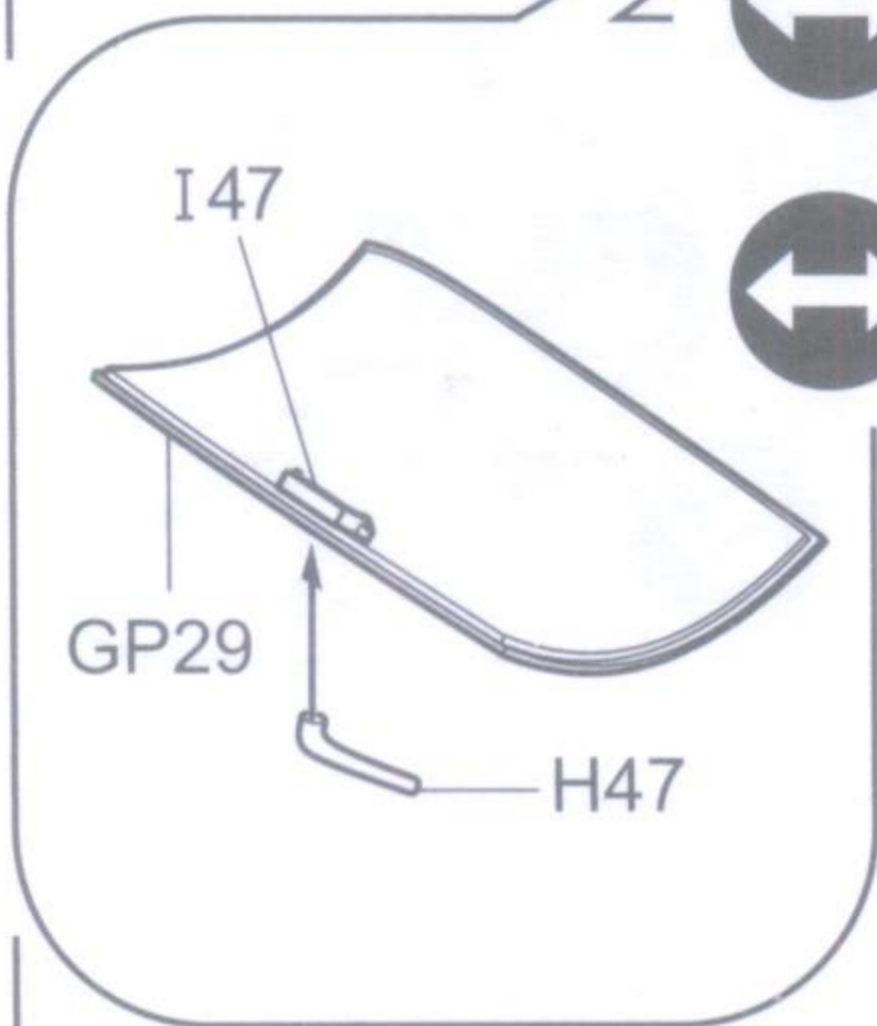
對側相同
Both sides

對側GP30
Opposite

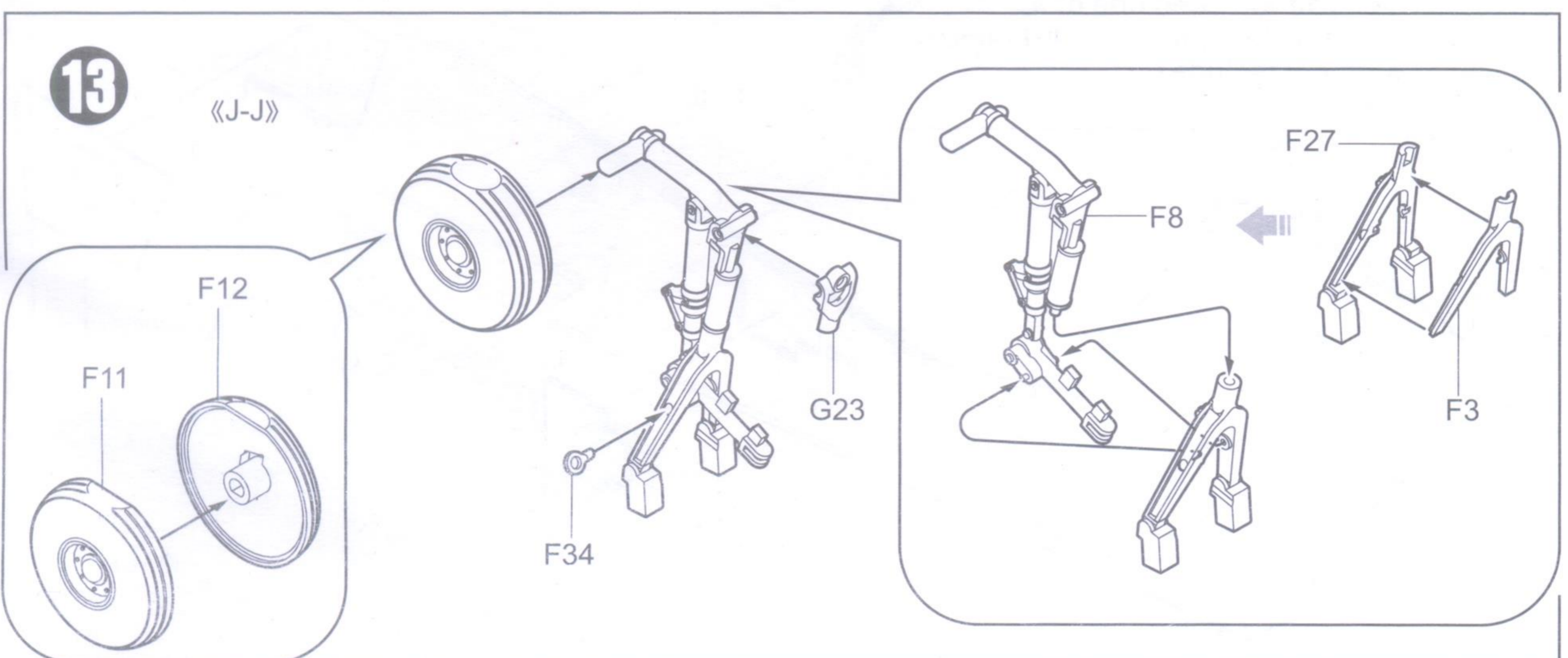
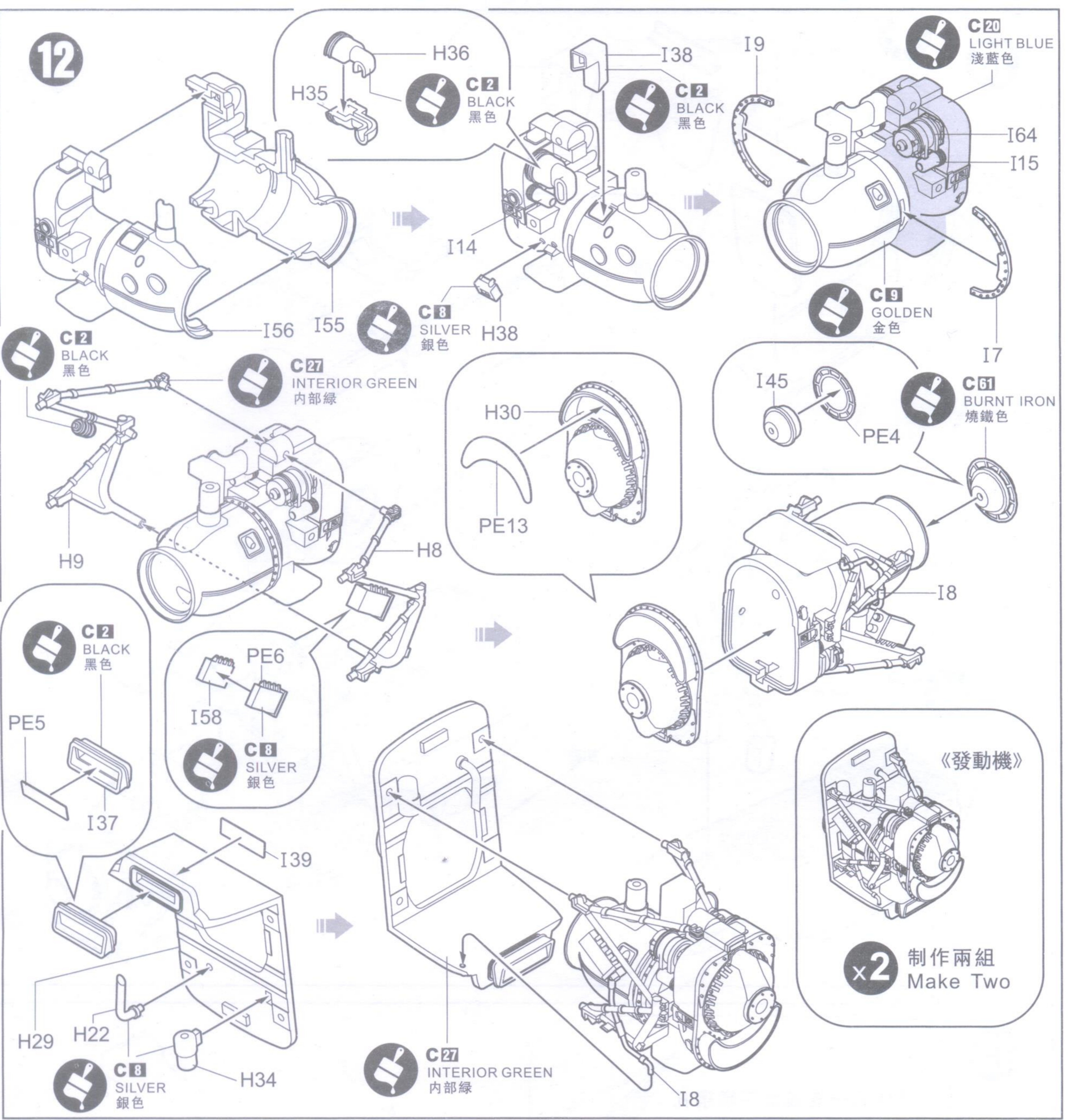
對側相同
Both sides

對側相同
Both sides

對側GP2
Opposite

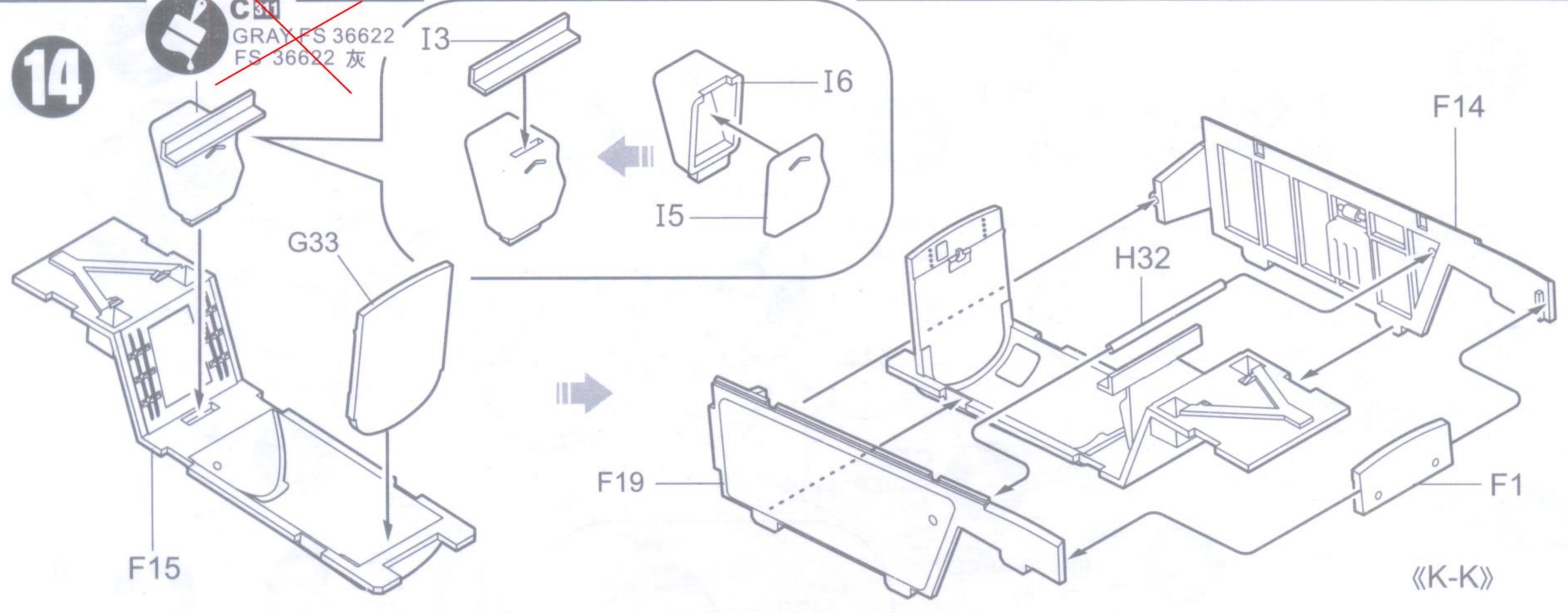


組合完成
Finished Assembly



14

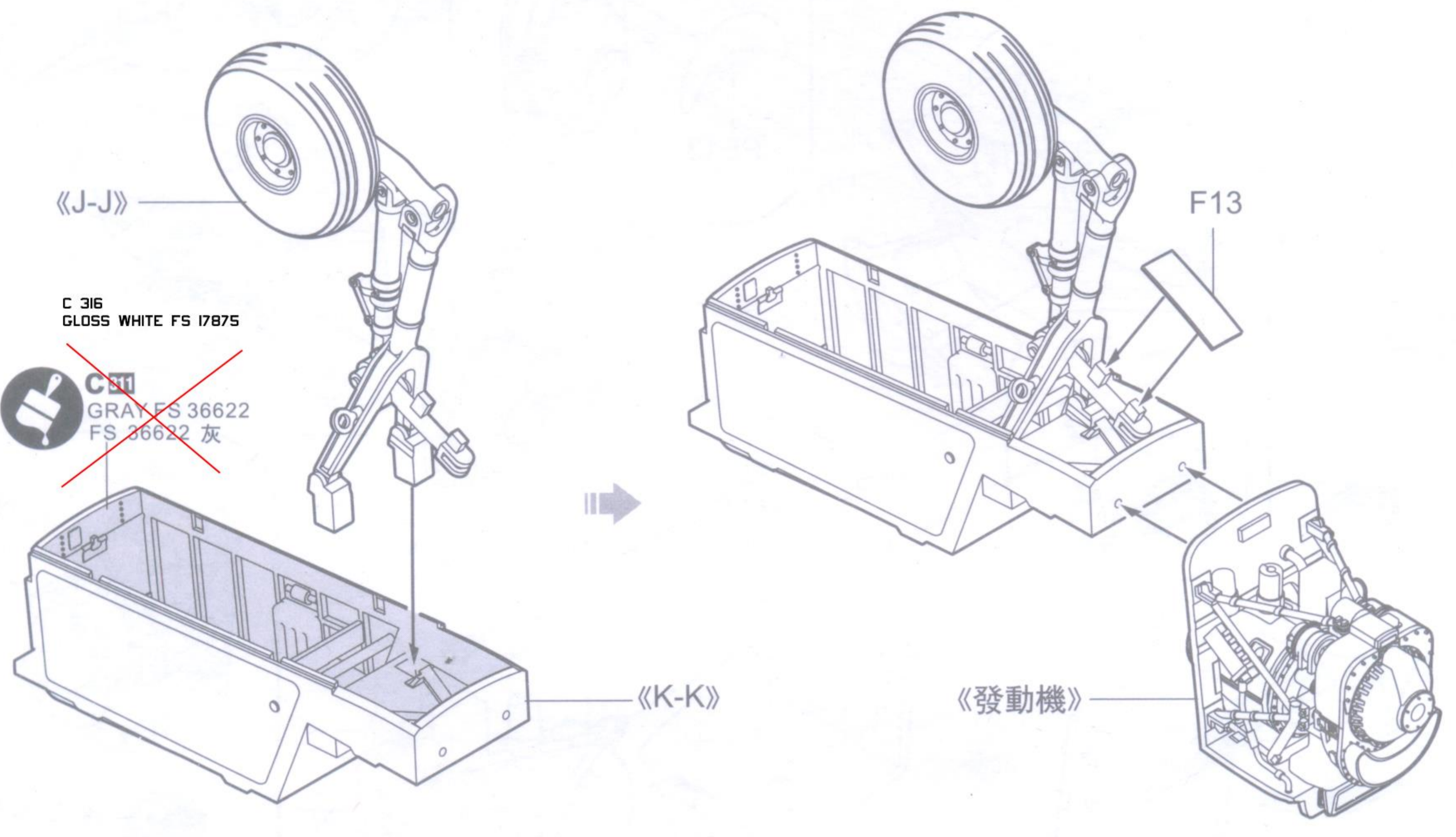
~~C311~~
GRAY FS 36622
FS 36622 灰



《J-J》

C 316
GLOSS WHITE FS 17875

~~C311~~
GRAY FS 36622
FS 36622 灰

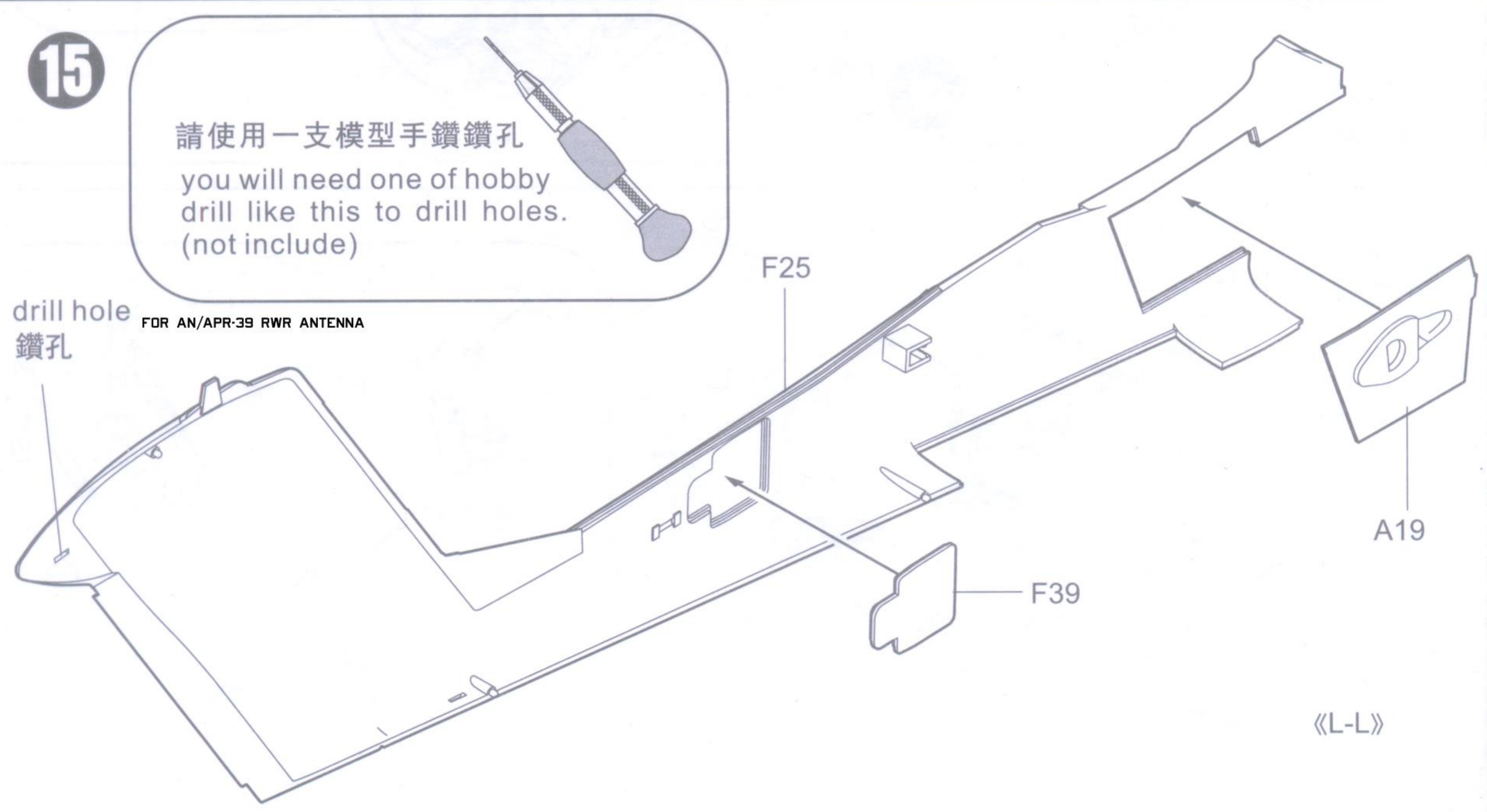


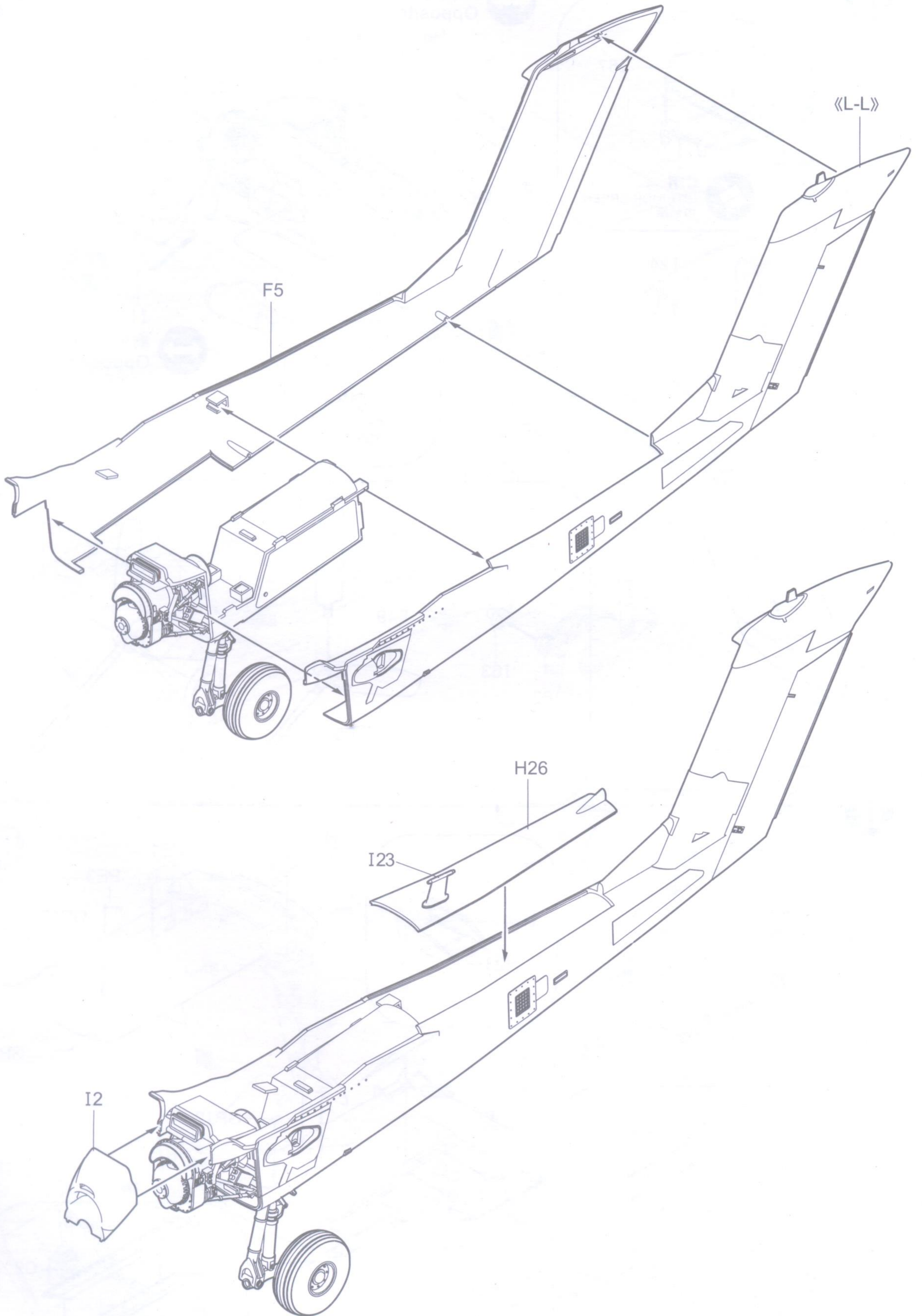
15

請使用一支模型手鑽鑽孔
you will need one of hobby
drill like this to drill holes.
(not include)

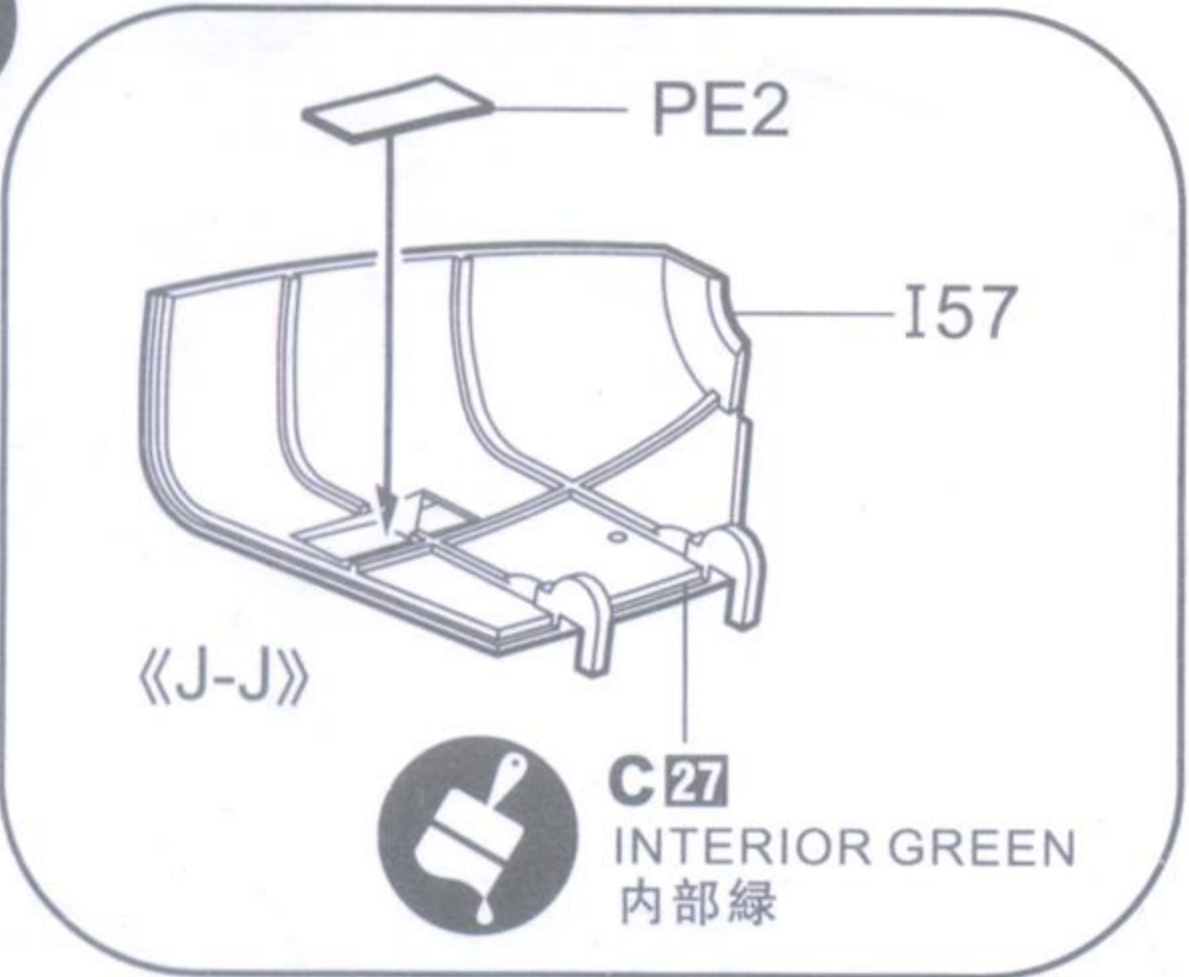


drill hole
鑽孔 FOR AN/APR-39 RWR ANTENNA

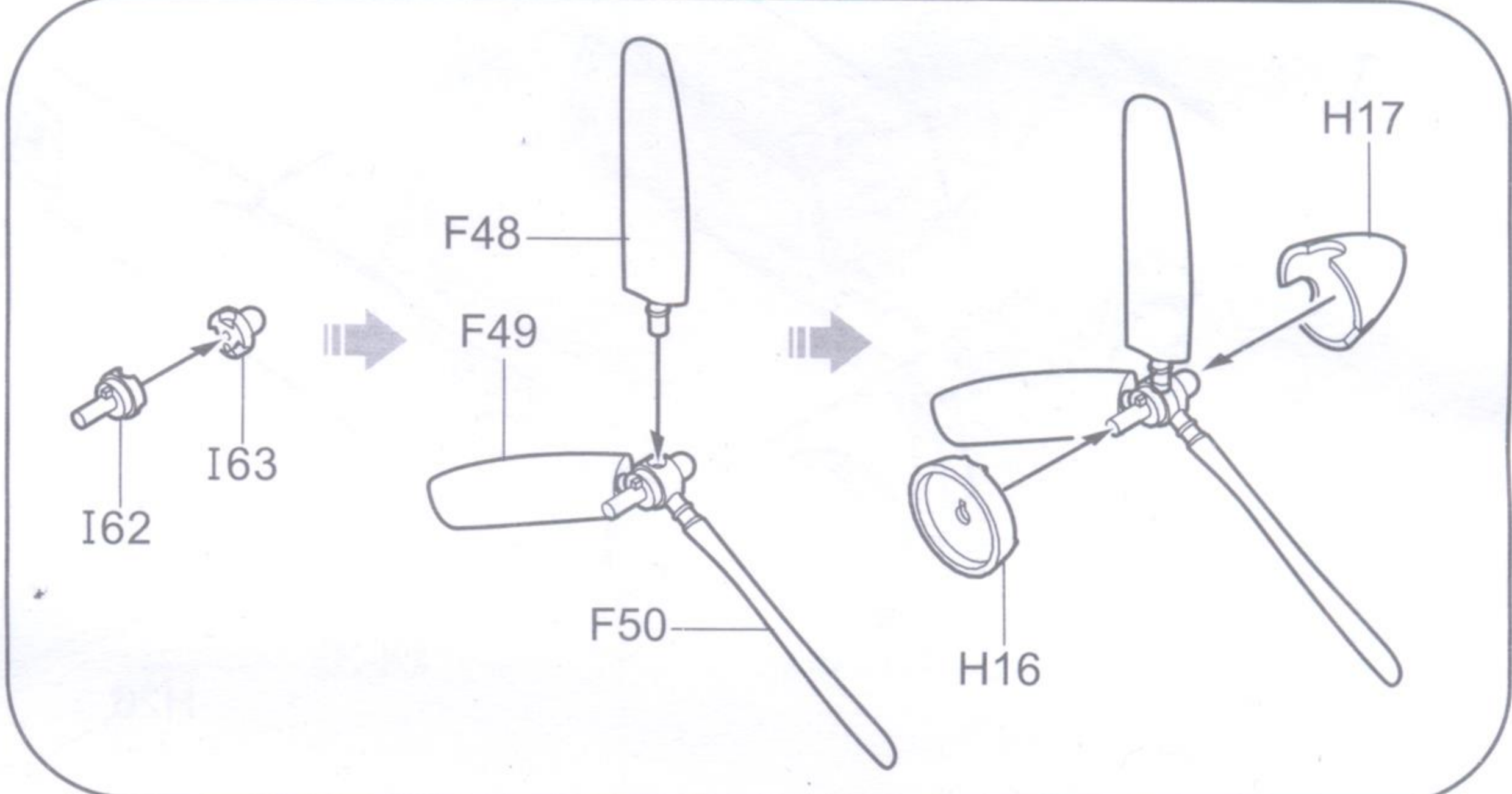
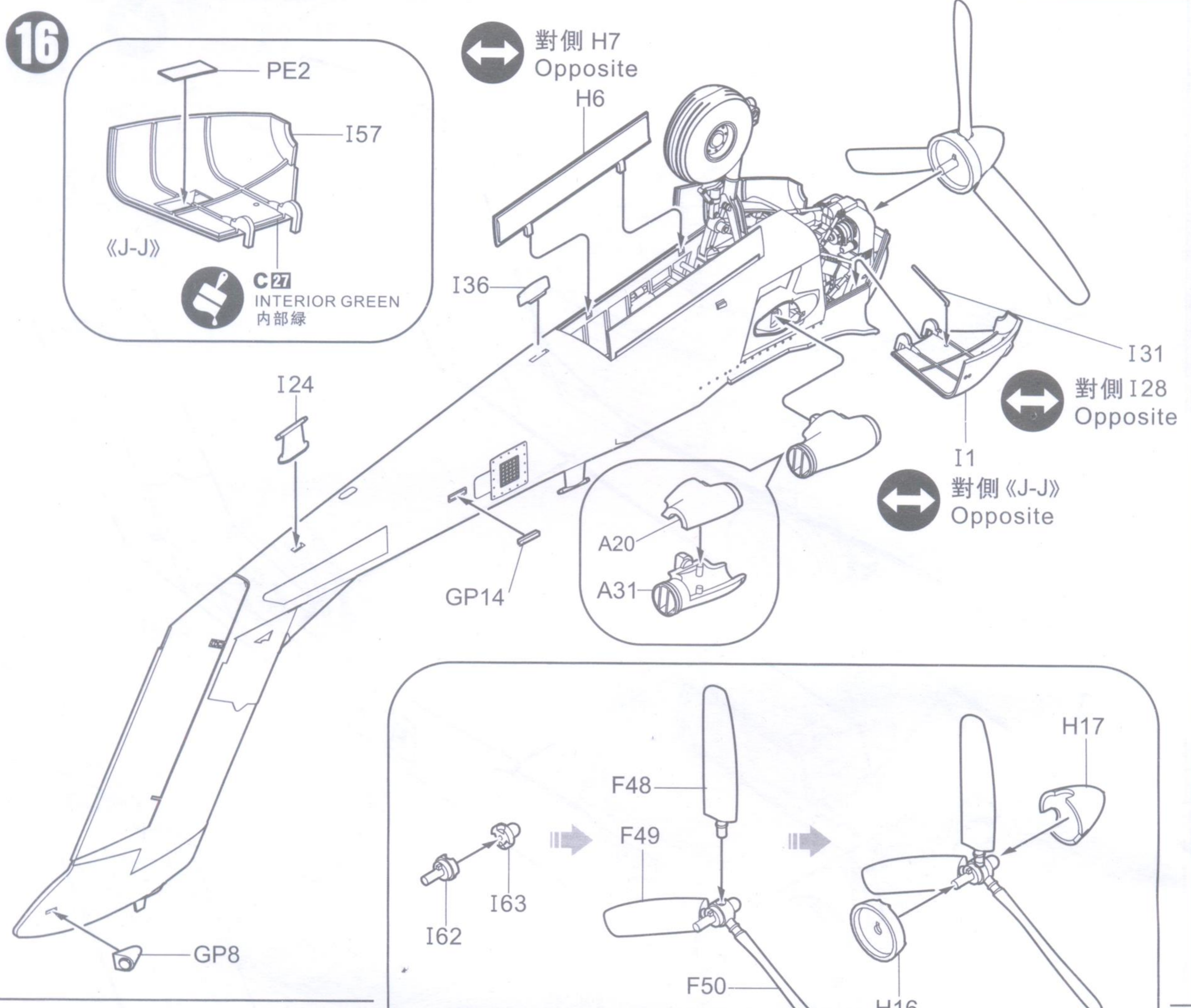




16

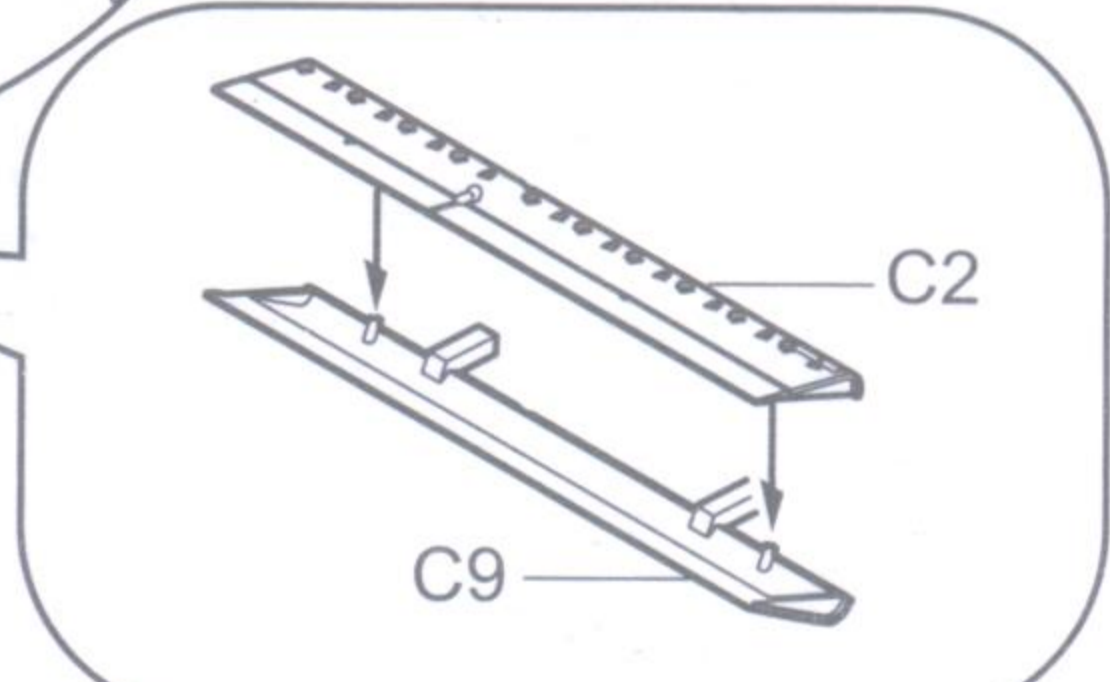
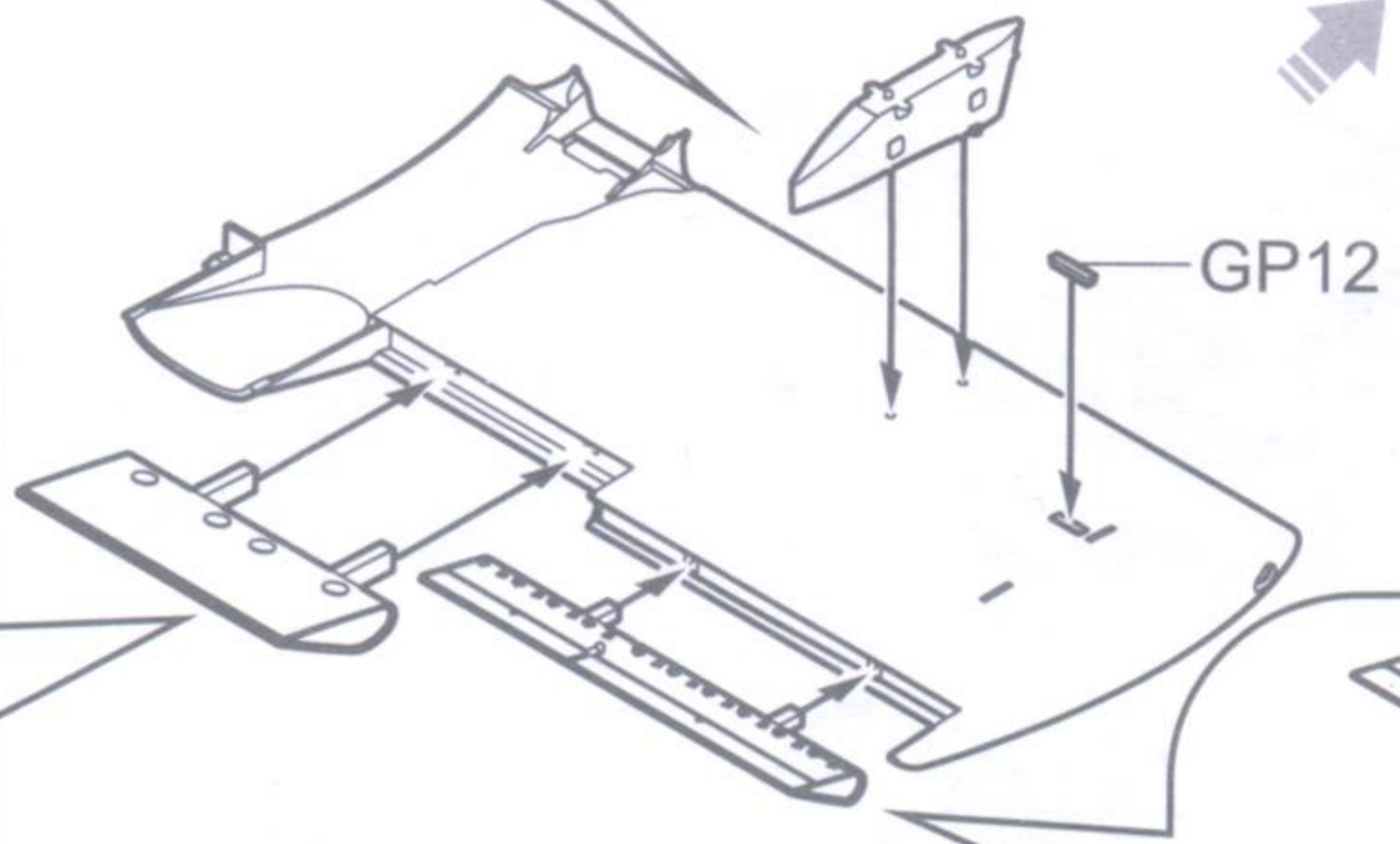
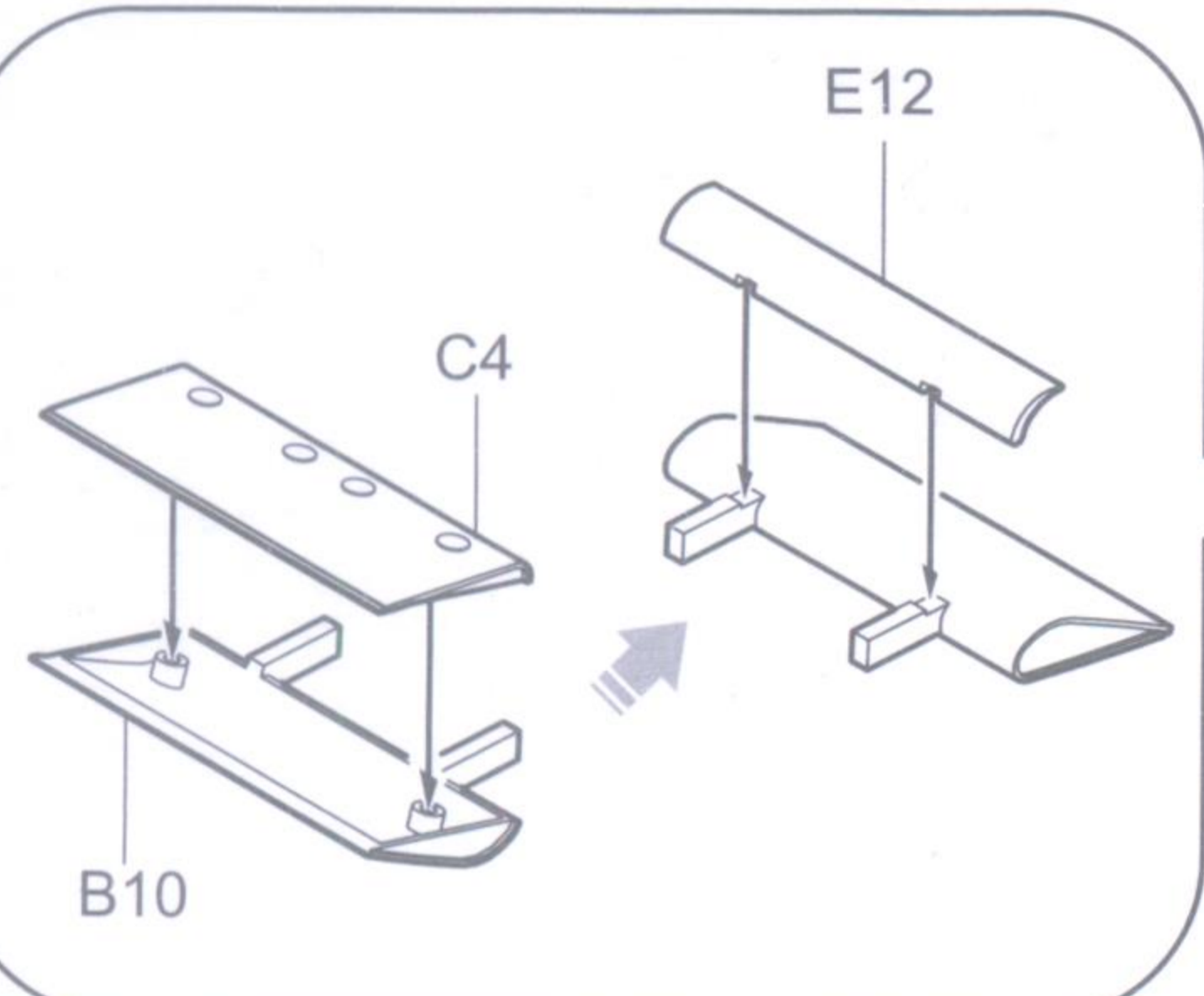
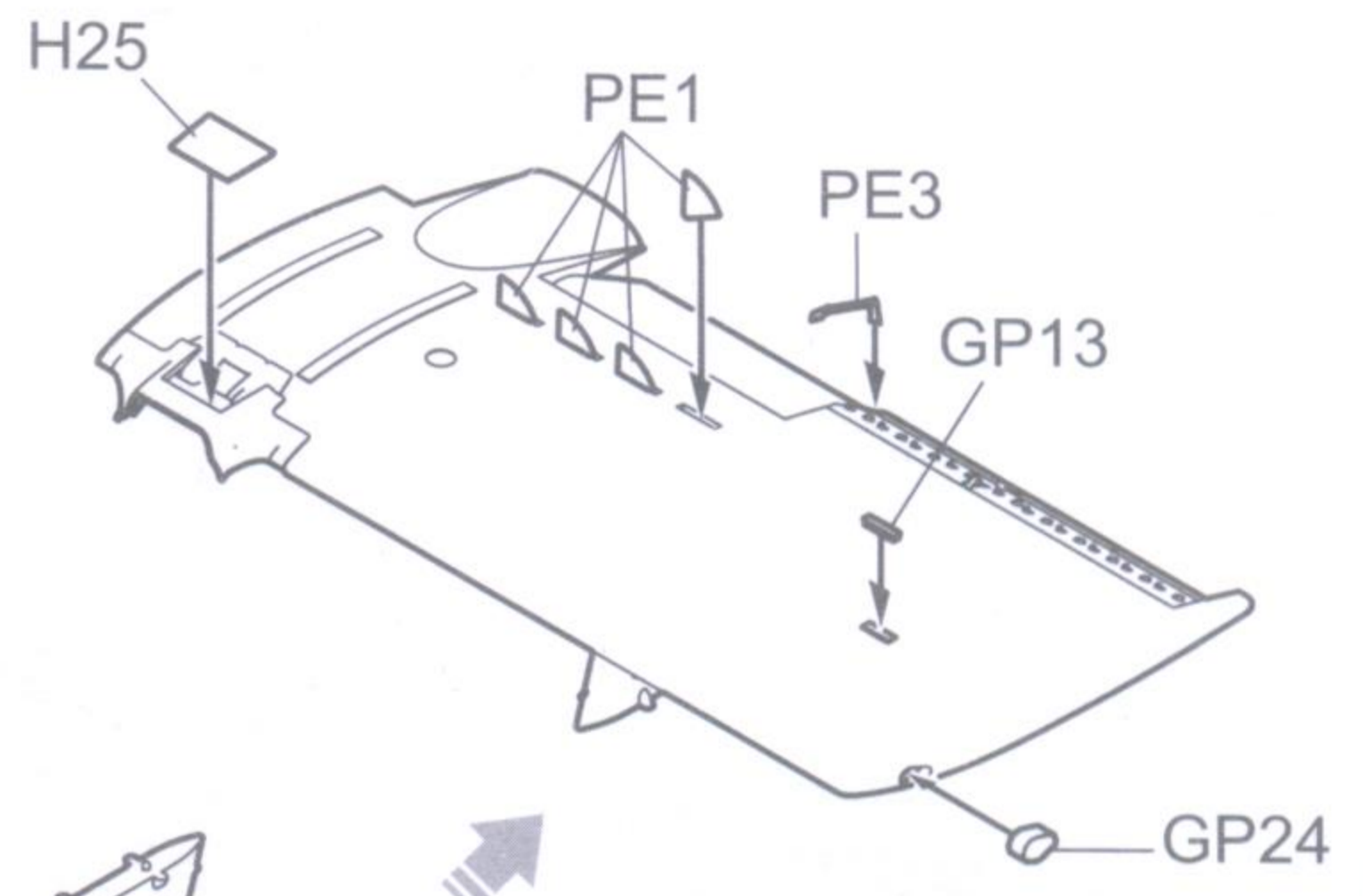
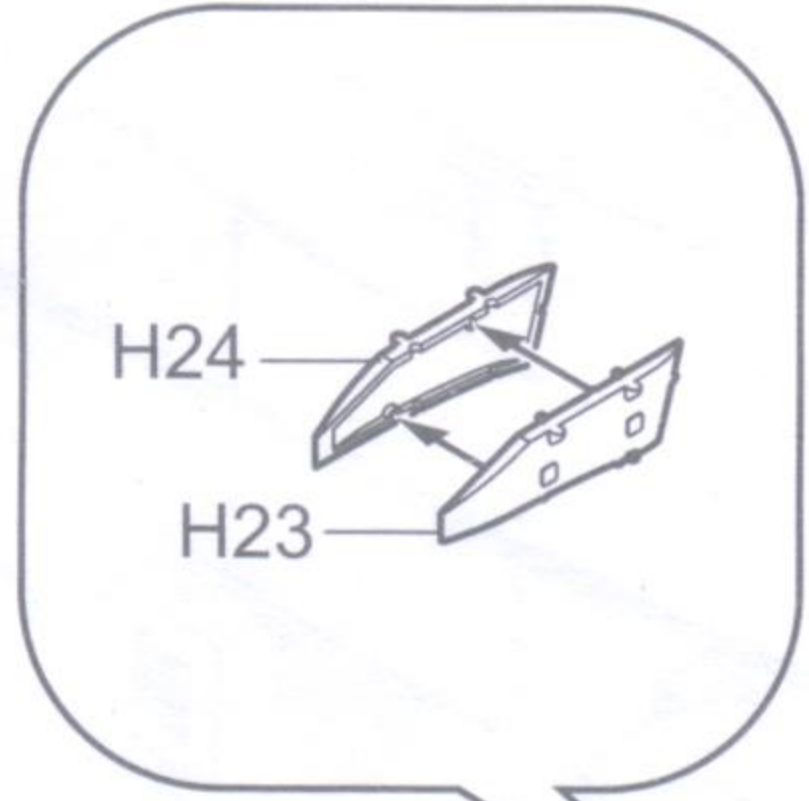
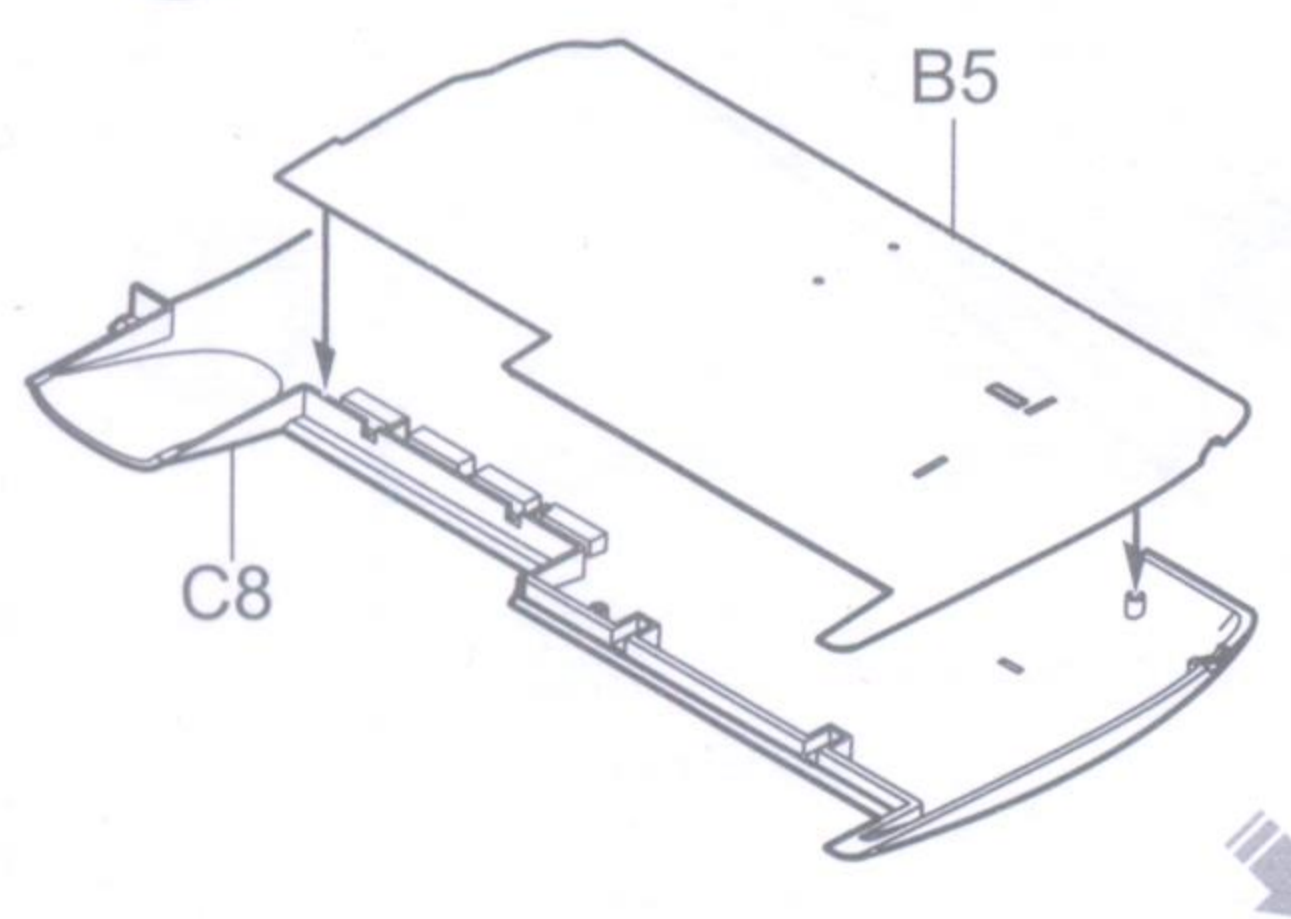


↔ 對側 H7
Opposite
H6



17

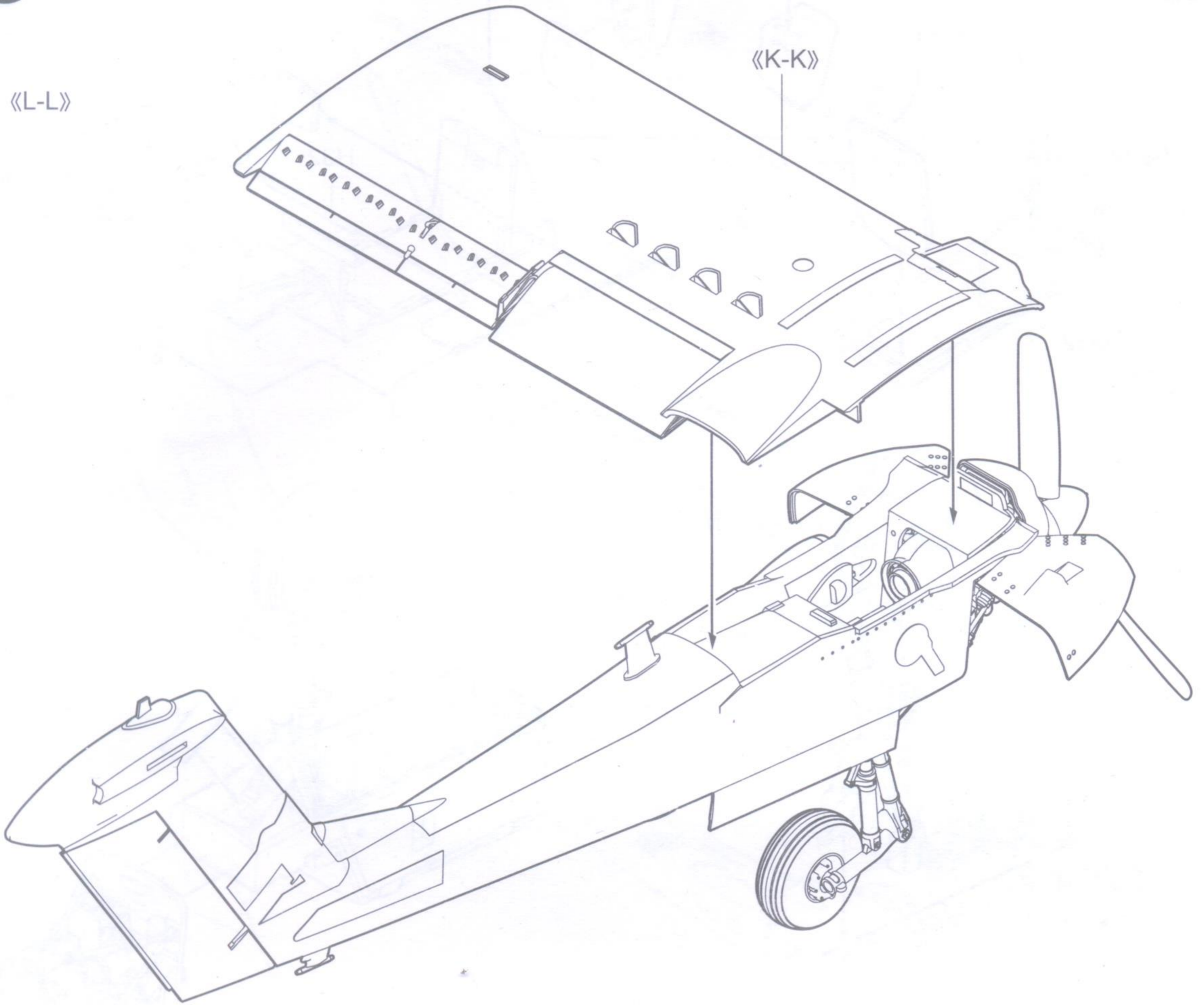
《K-K》



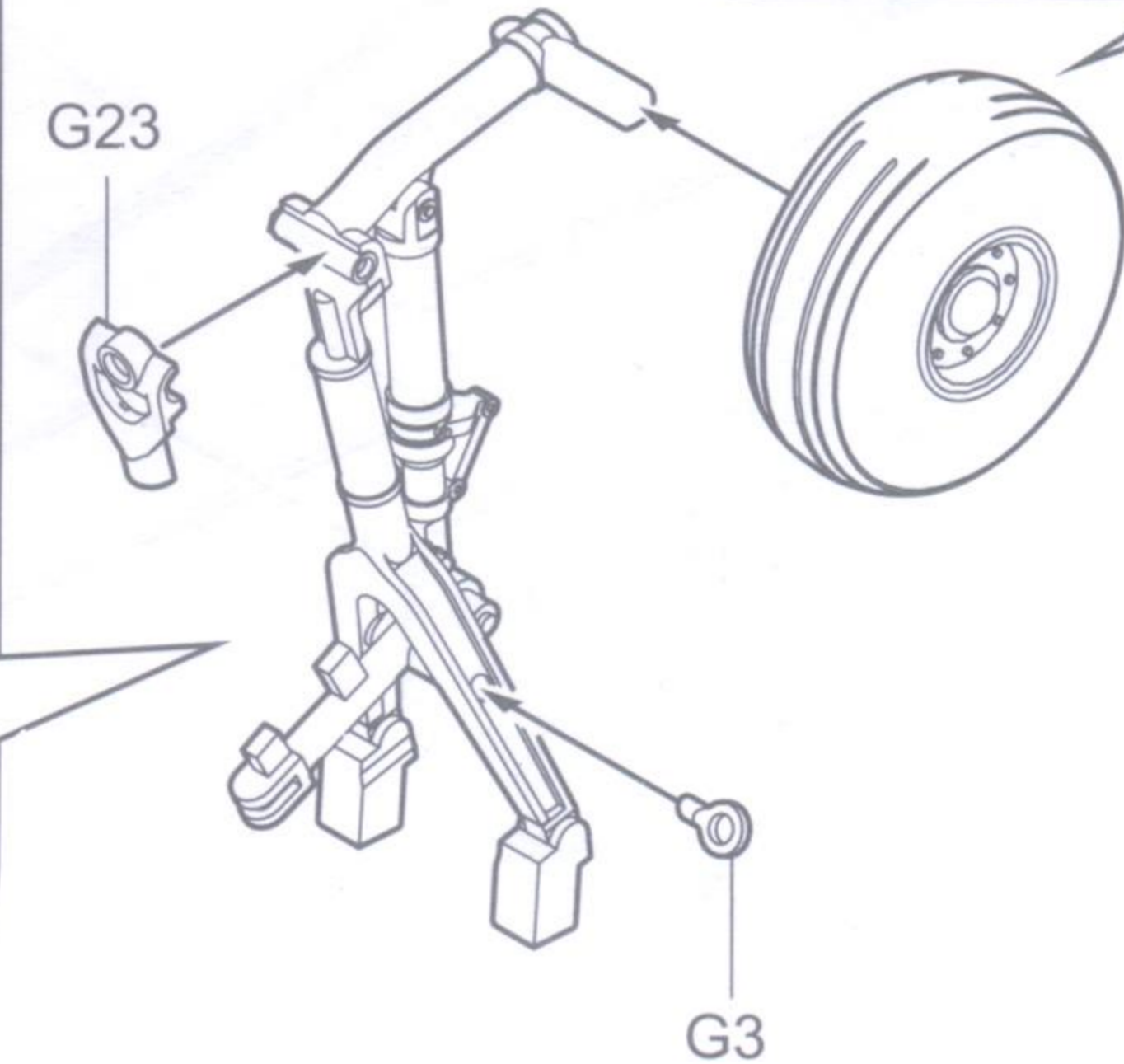
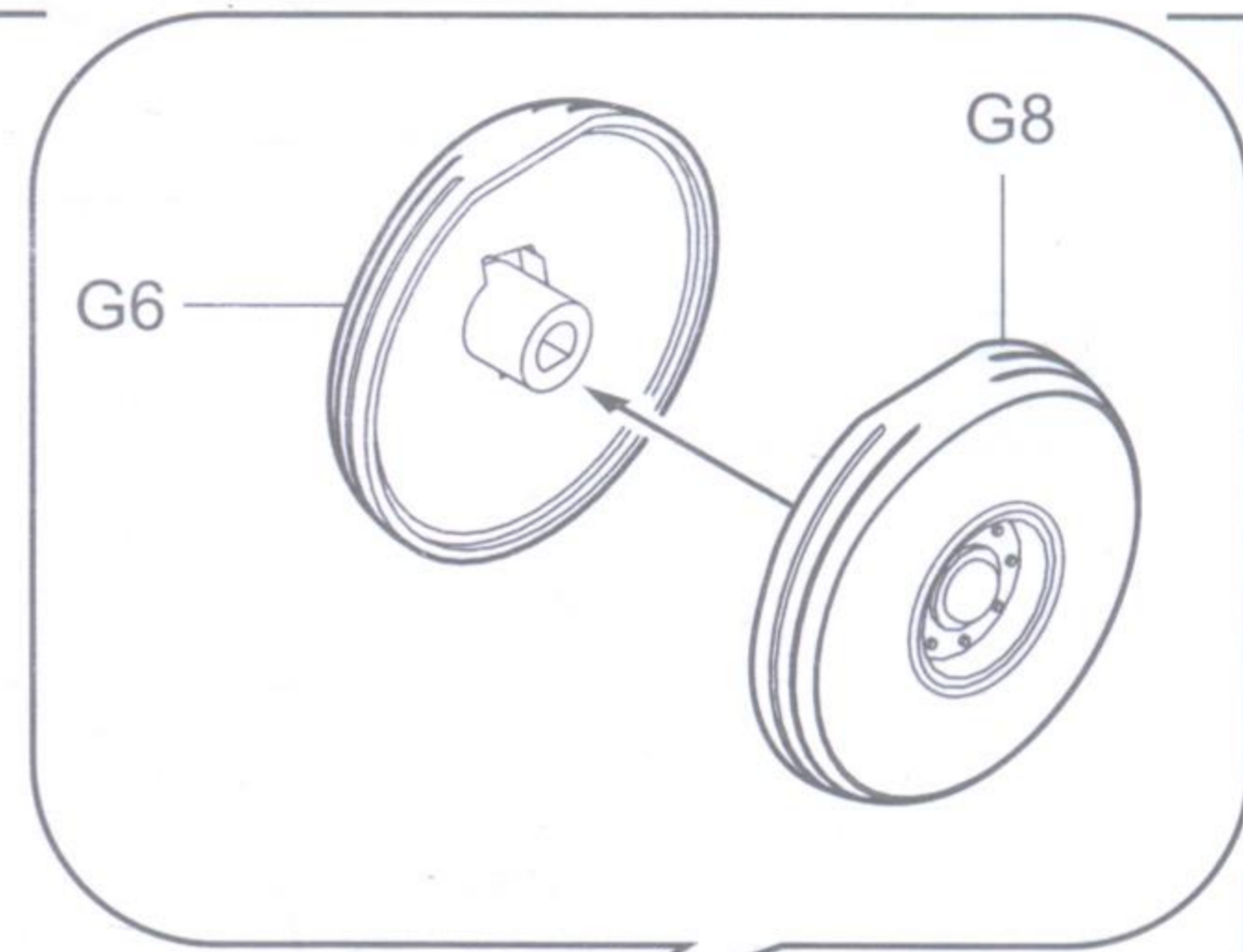
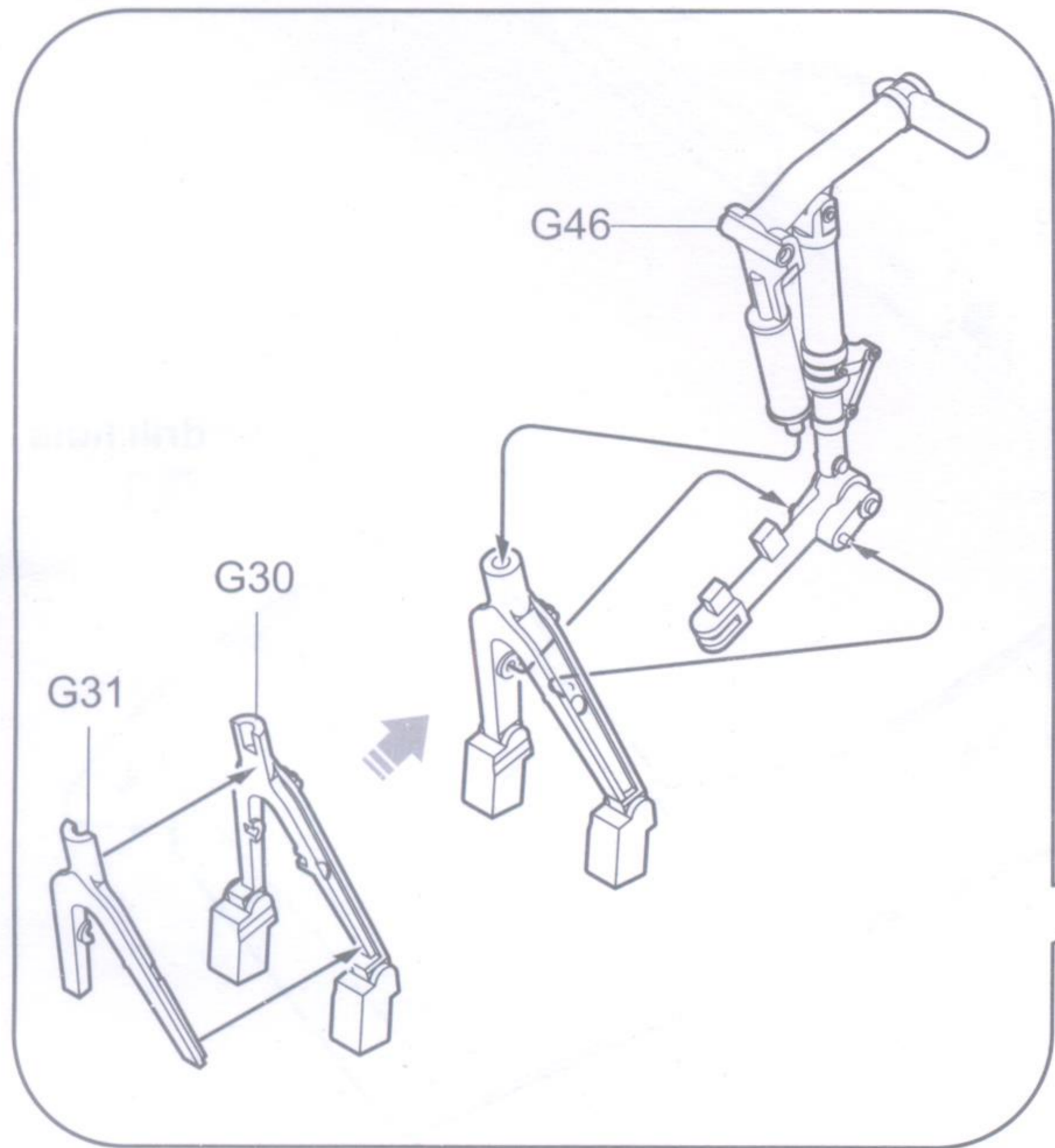
18

«L-L»

«K-K»

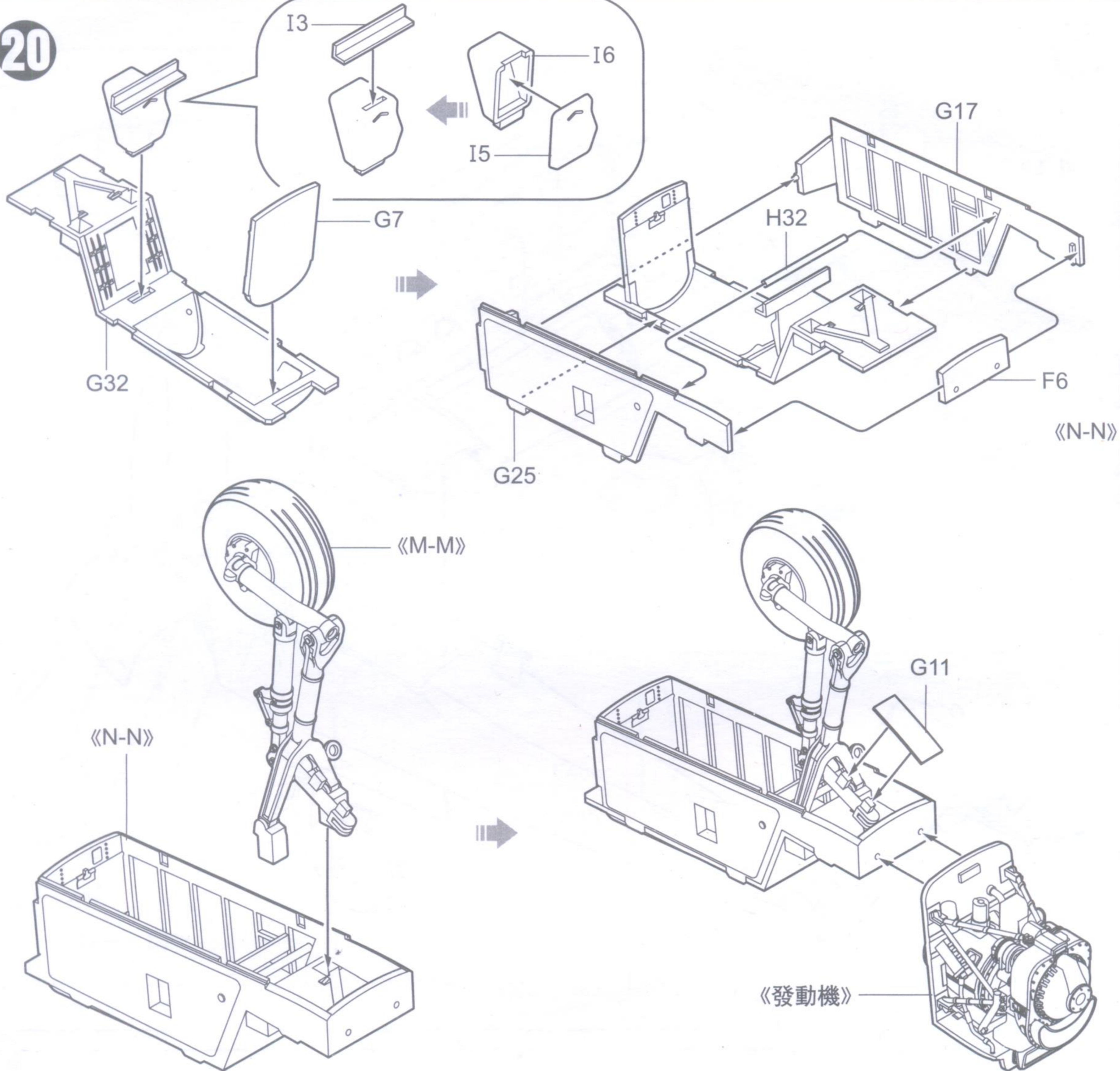


19

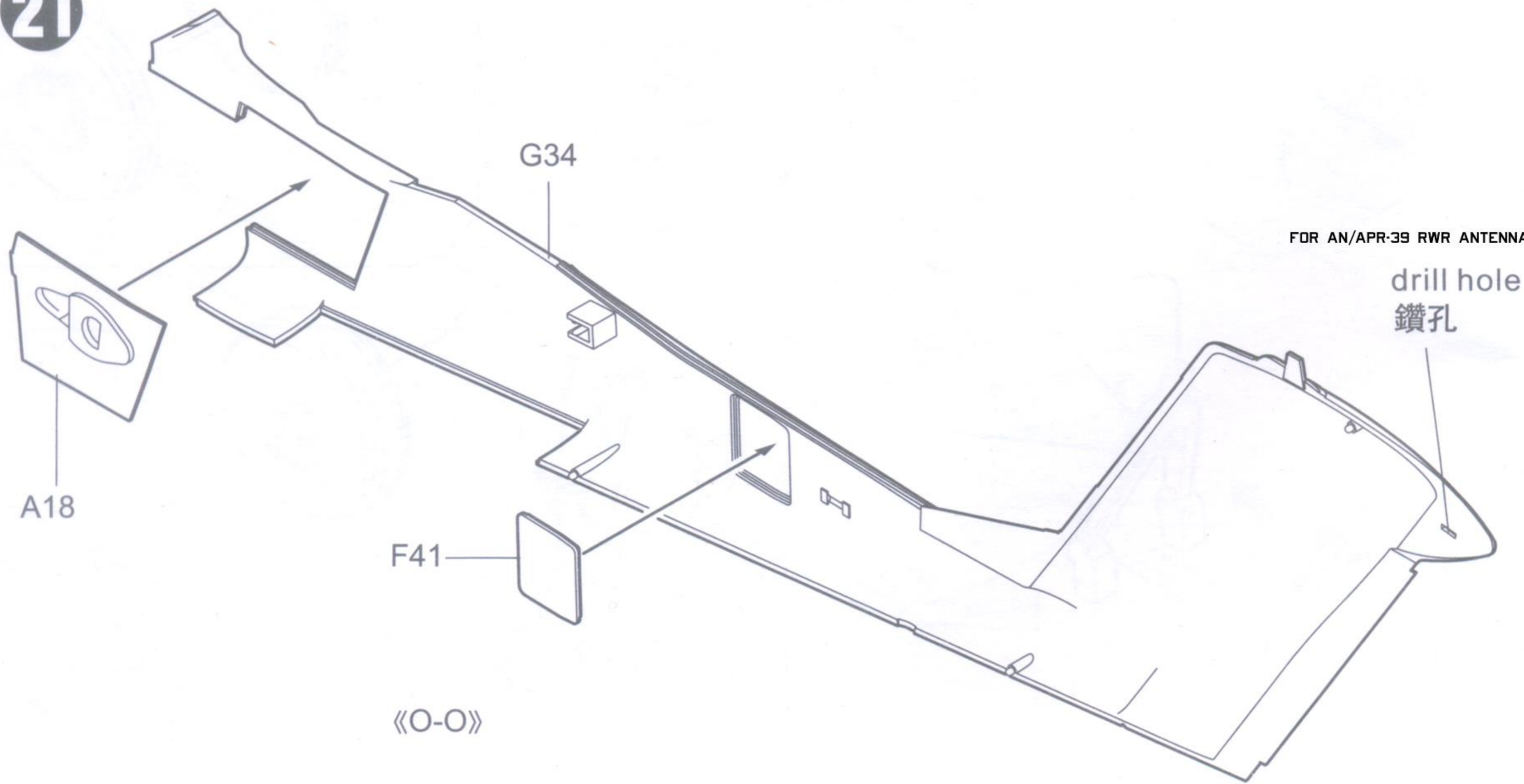


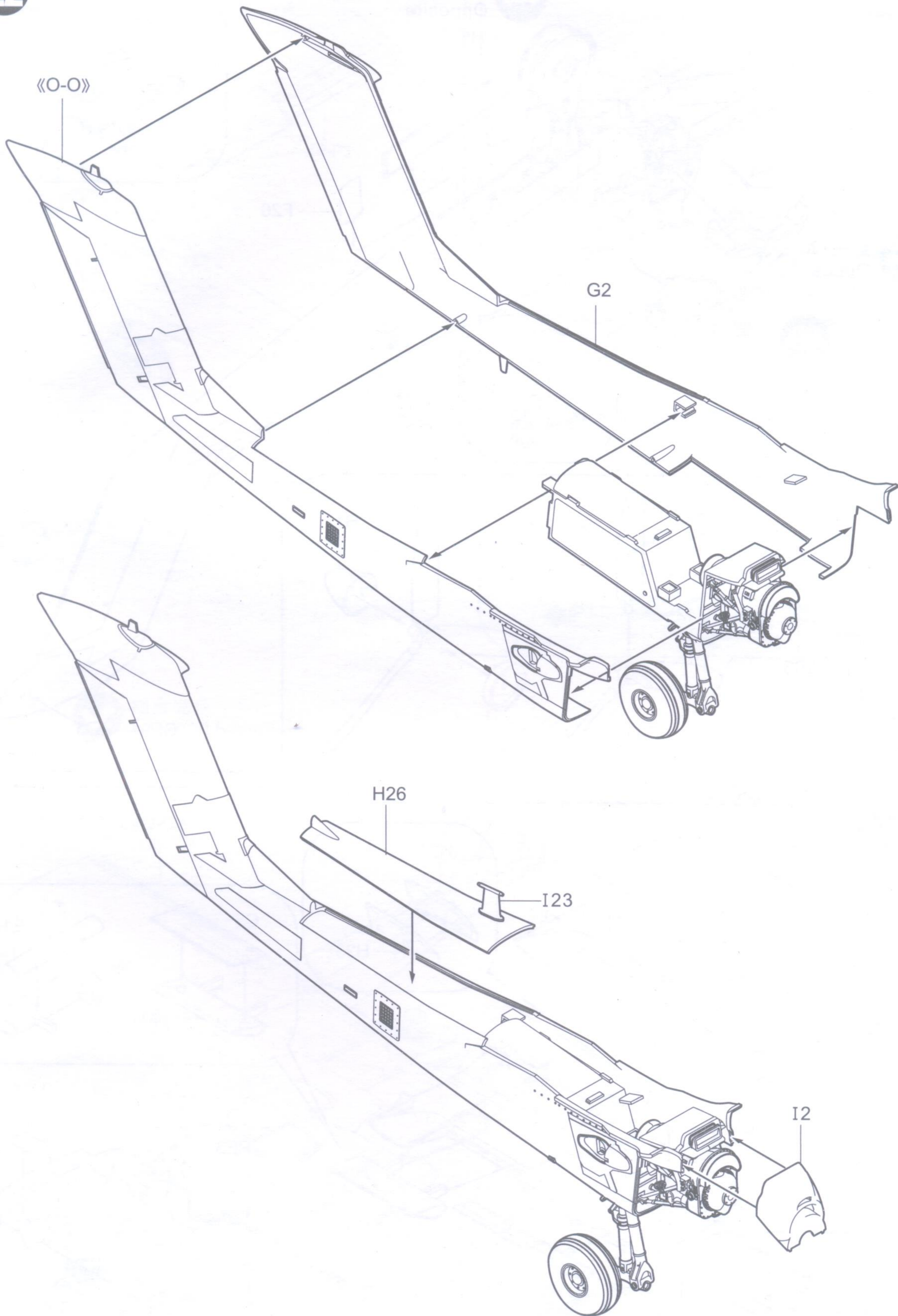
«M-M»

20



21





23

對側 H7
Opposite

H6

PE2

I57

I31

對側 I28
Opposite

F26

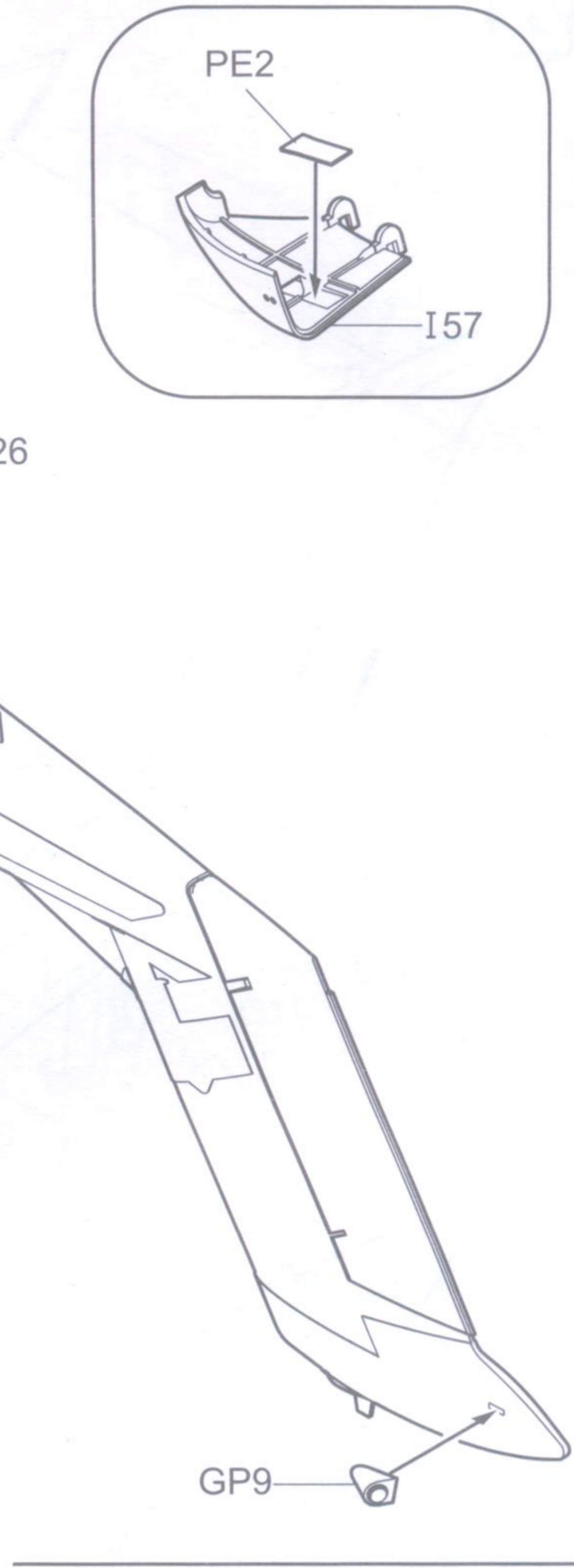
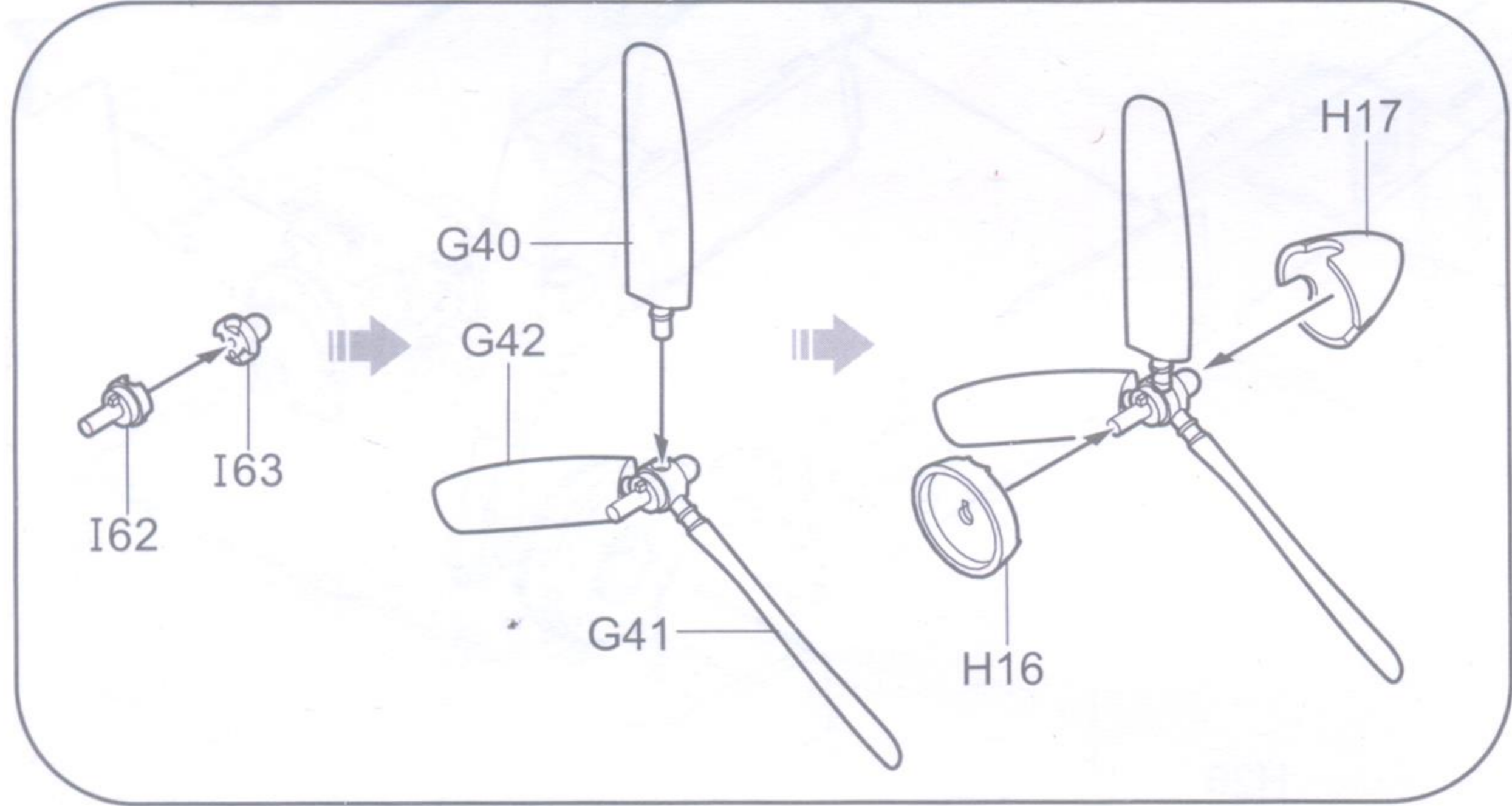
對側 I1
Opposite

Opposite

A21

A26

GP17



24

B2

H24

H23

C5

E13

C3

B11

GP15

PE3

PE1

H25

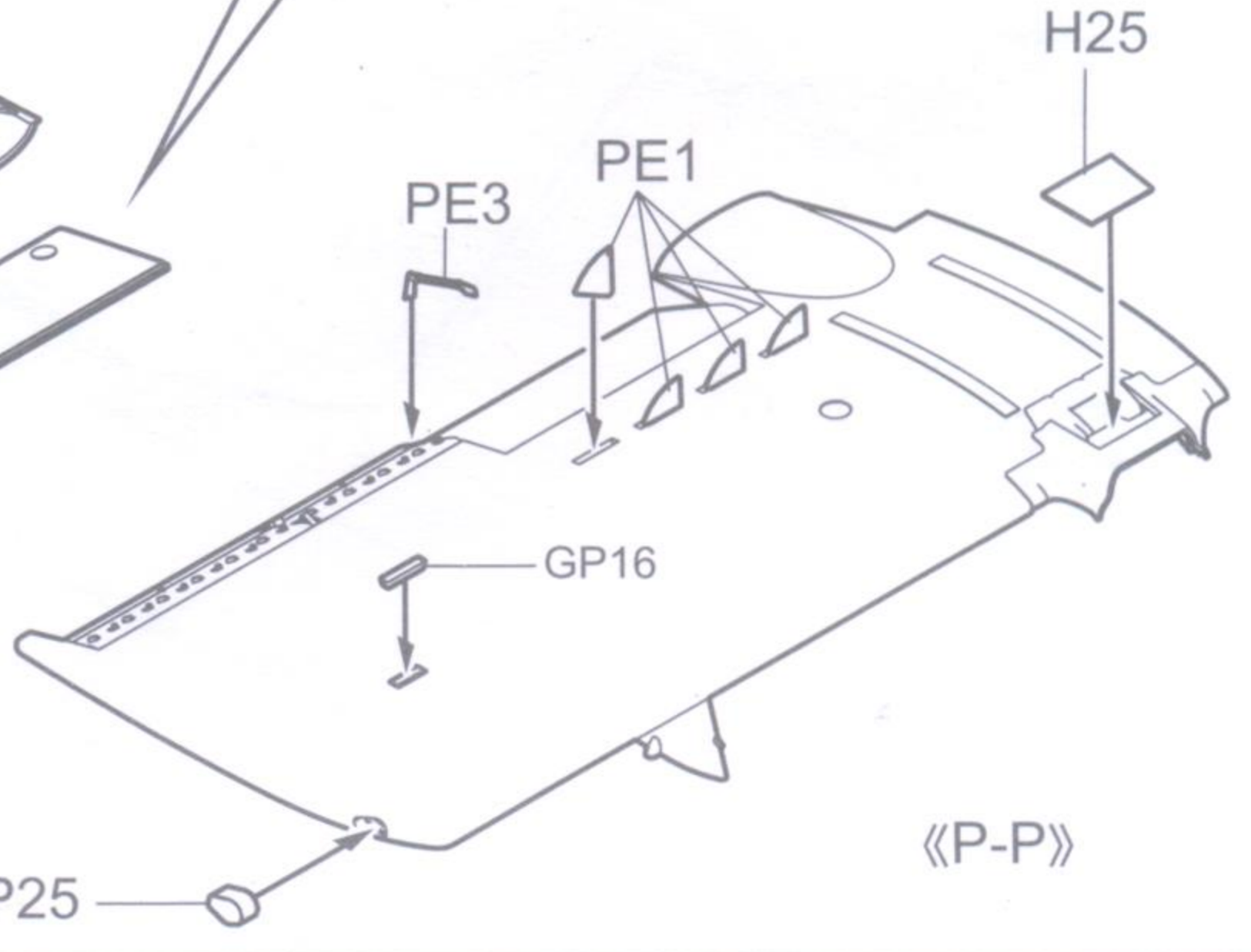
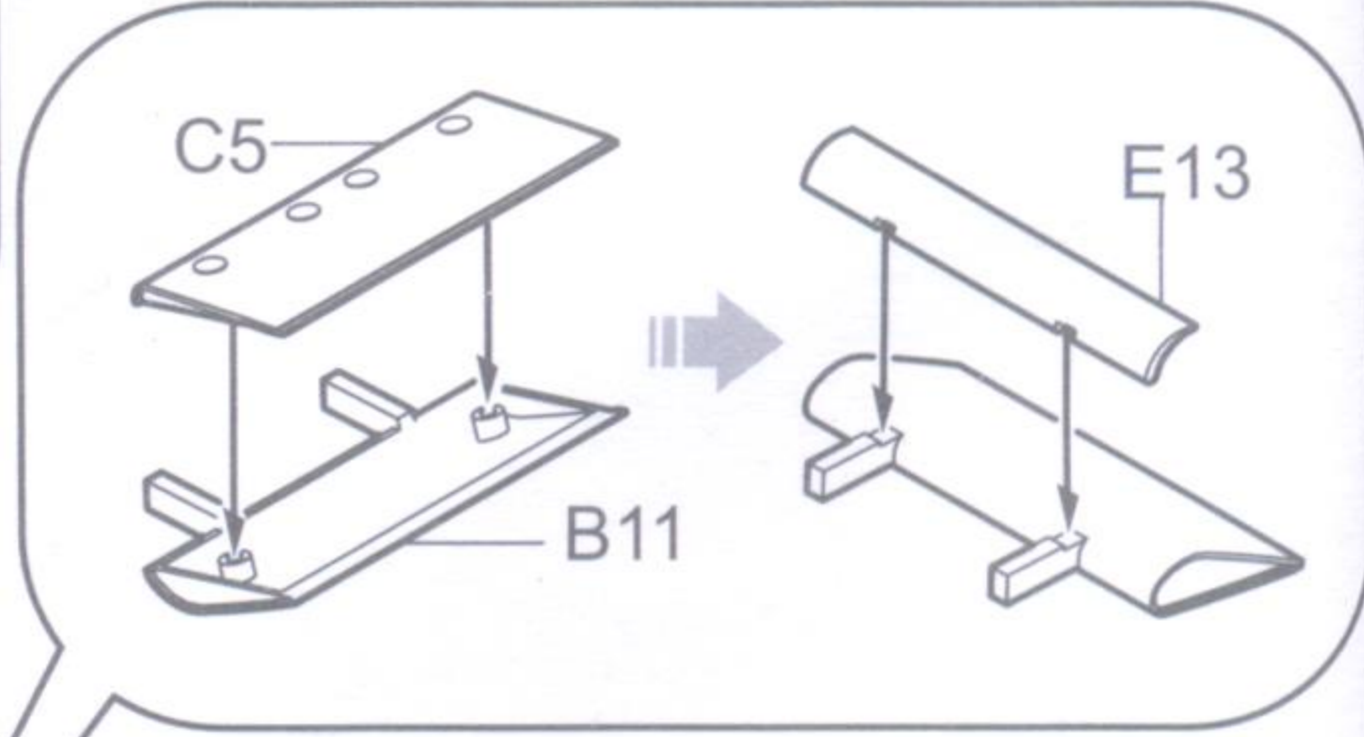
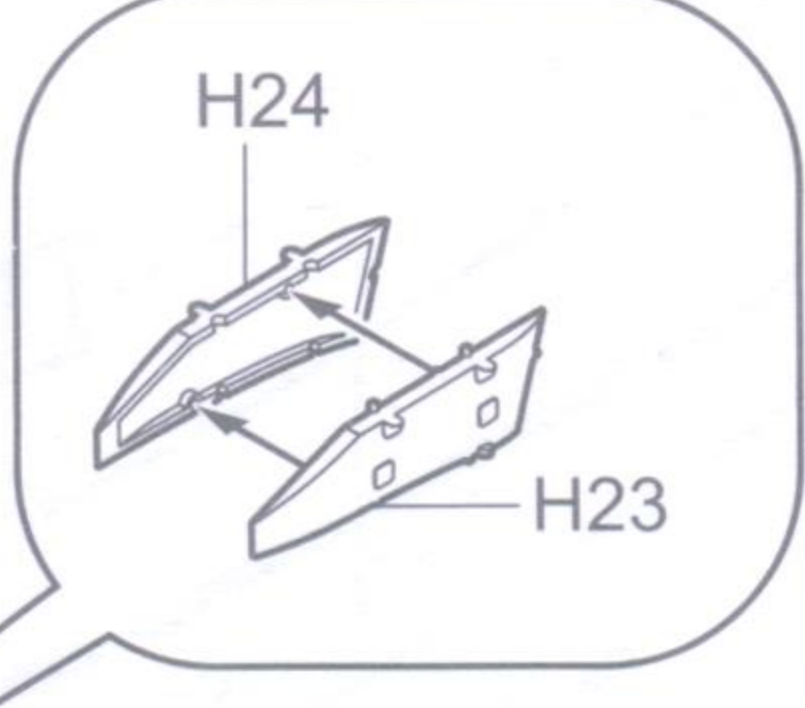
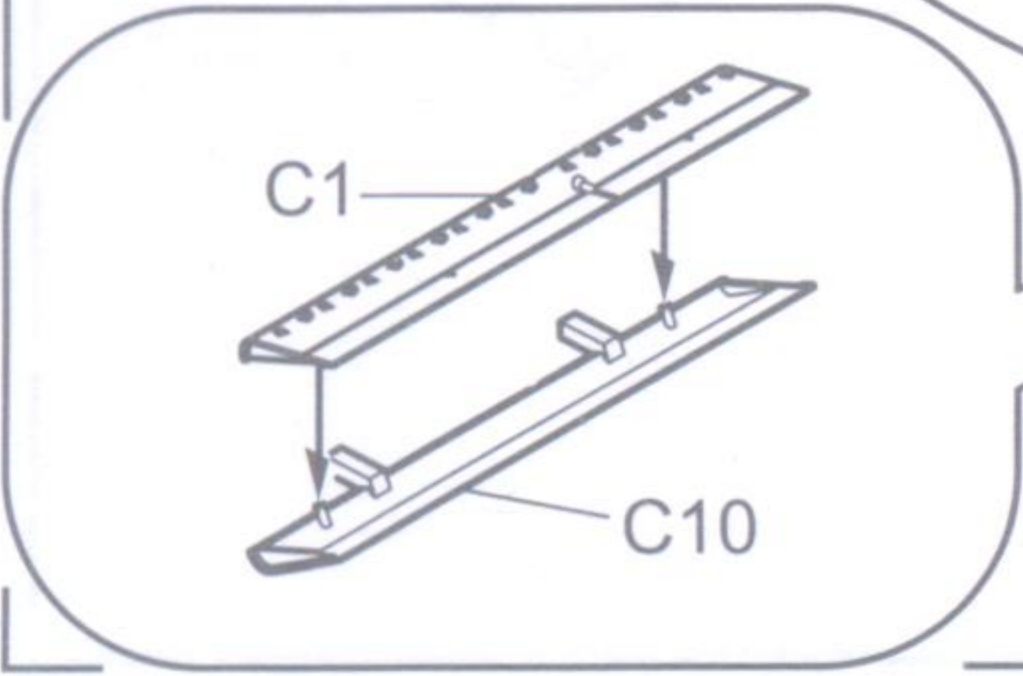
C1

C10

GP16

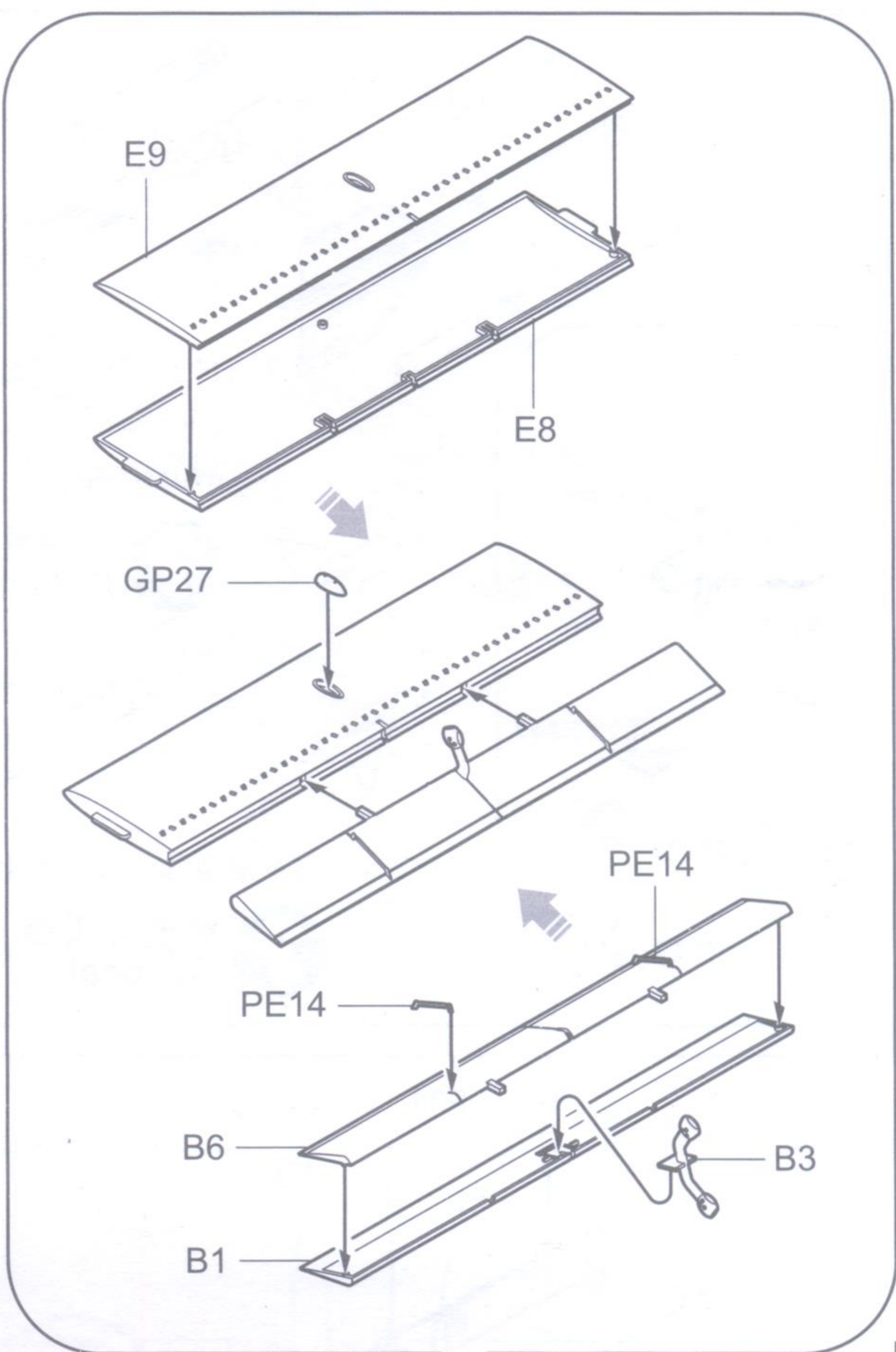
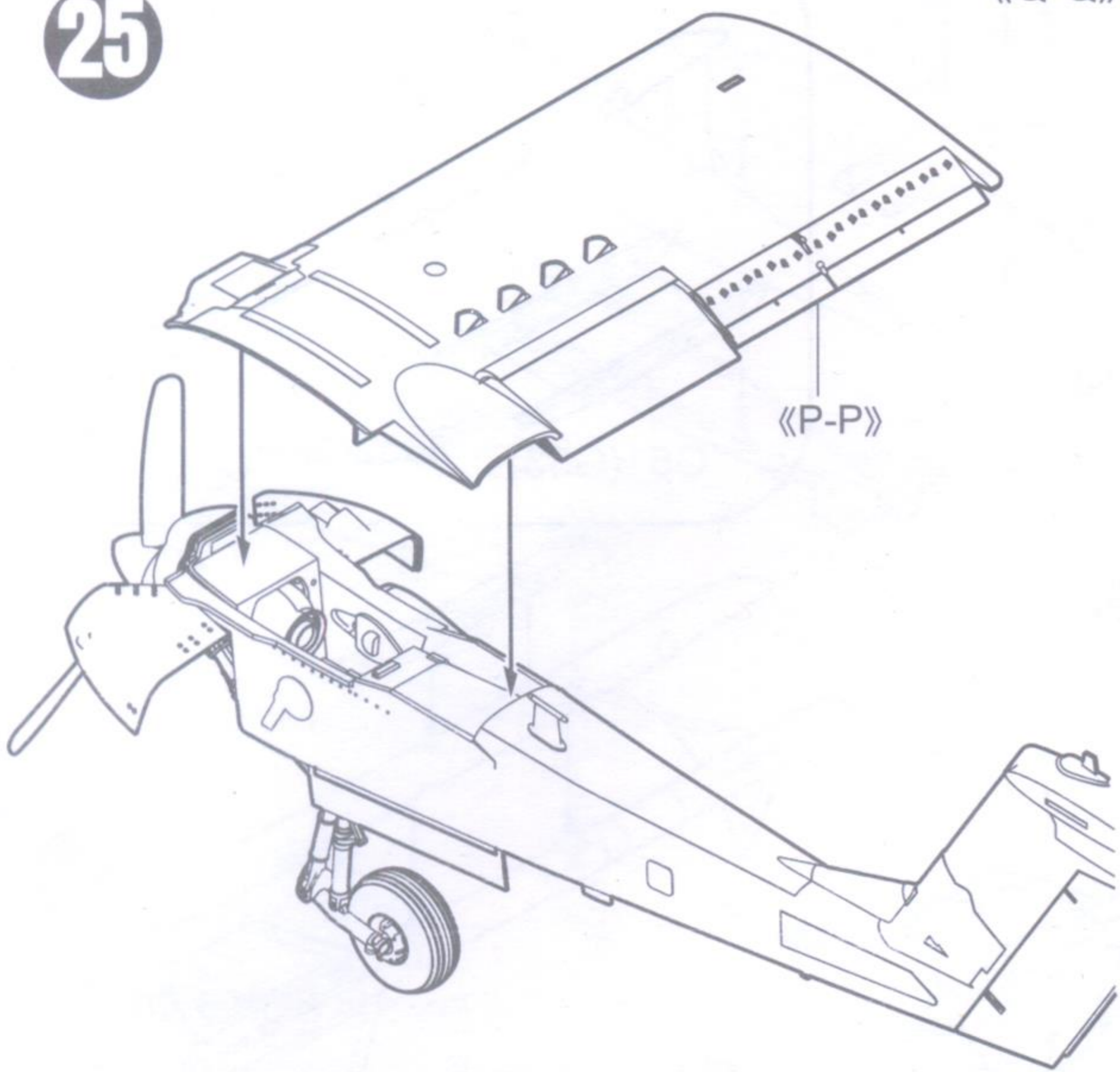
GP25

《P-P》



25

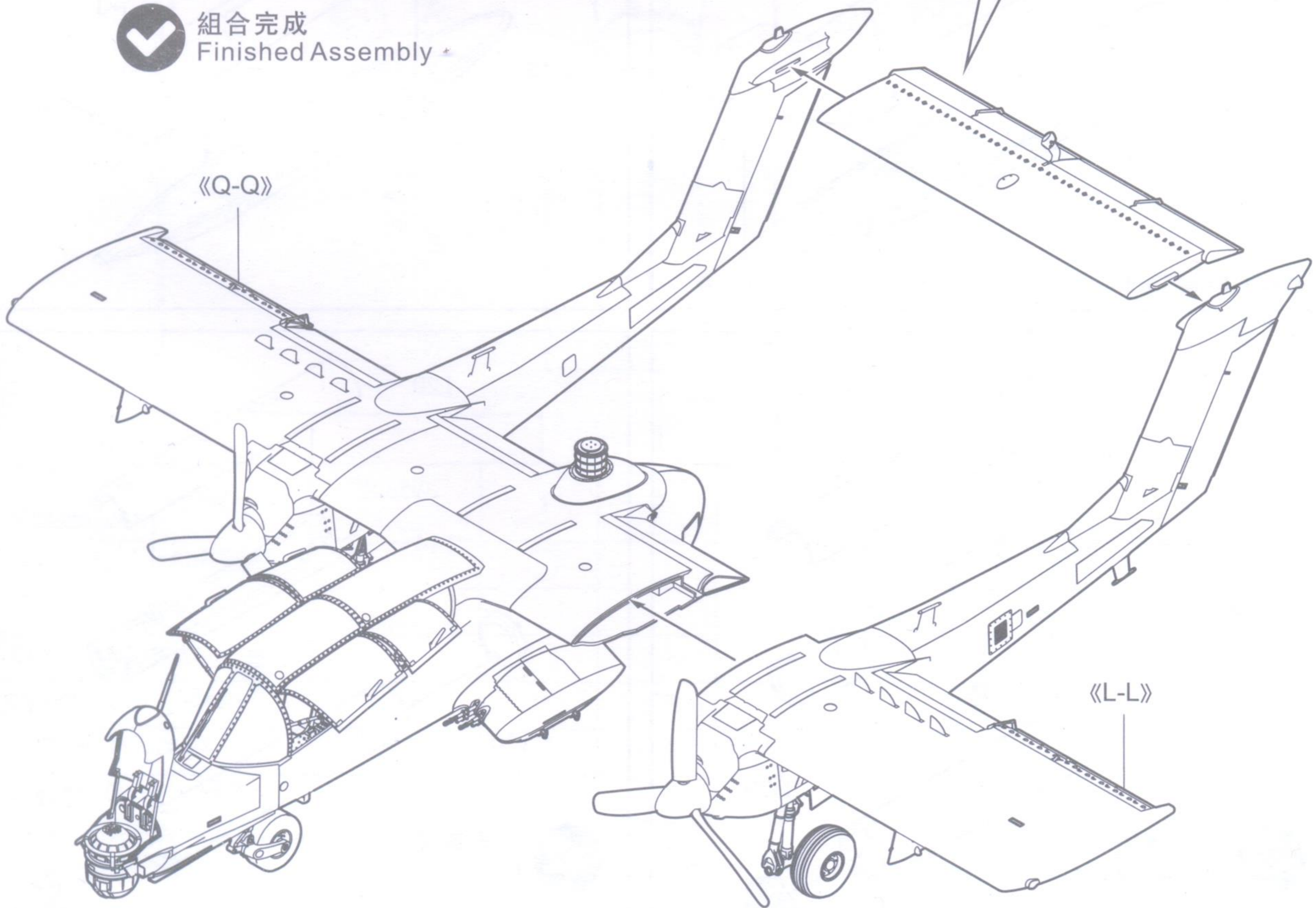
《Q-Q》



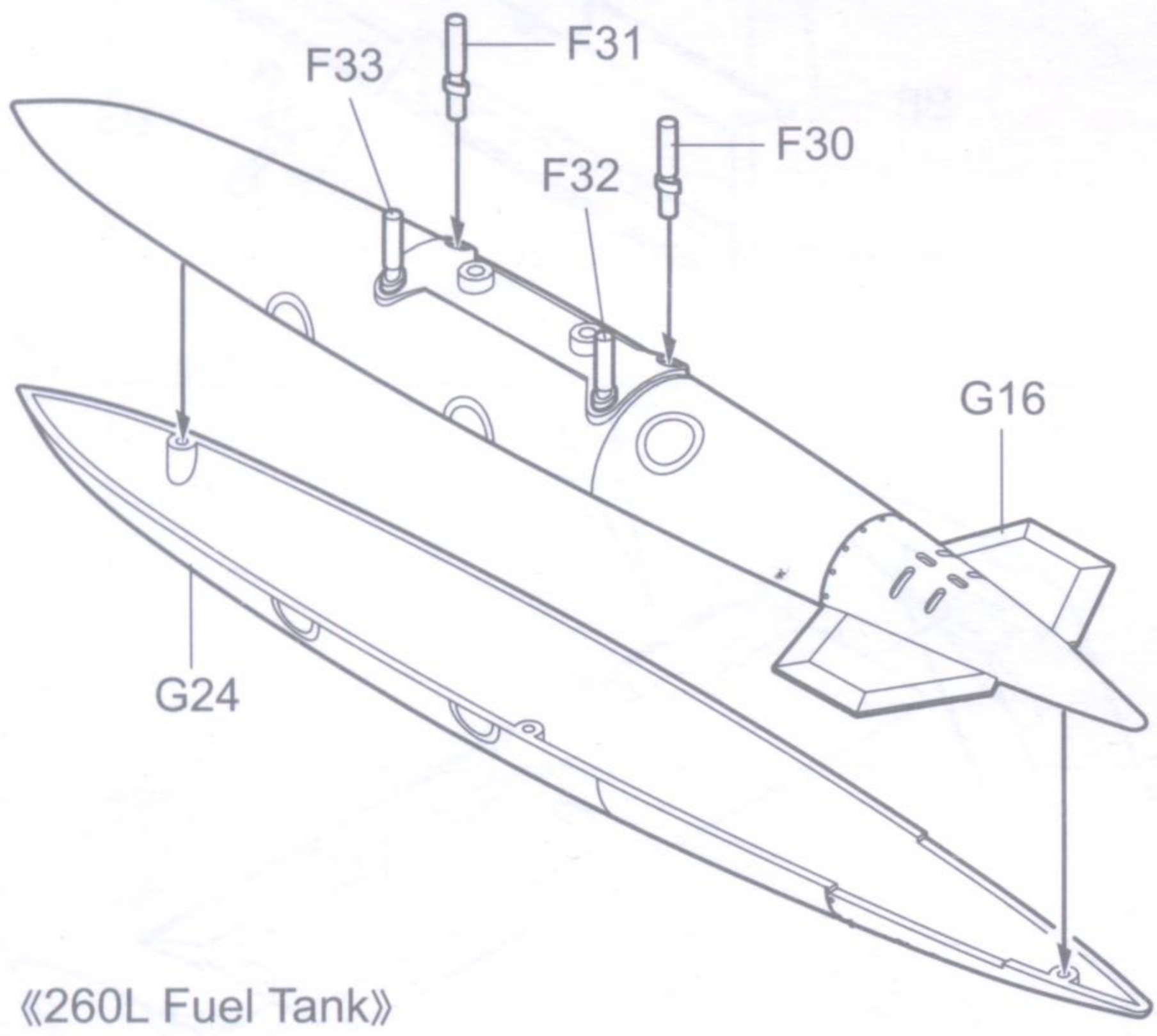
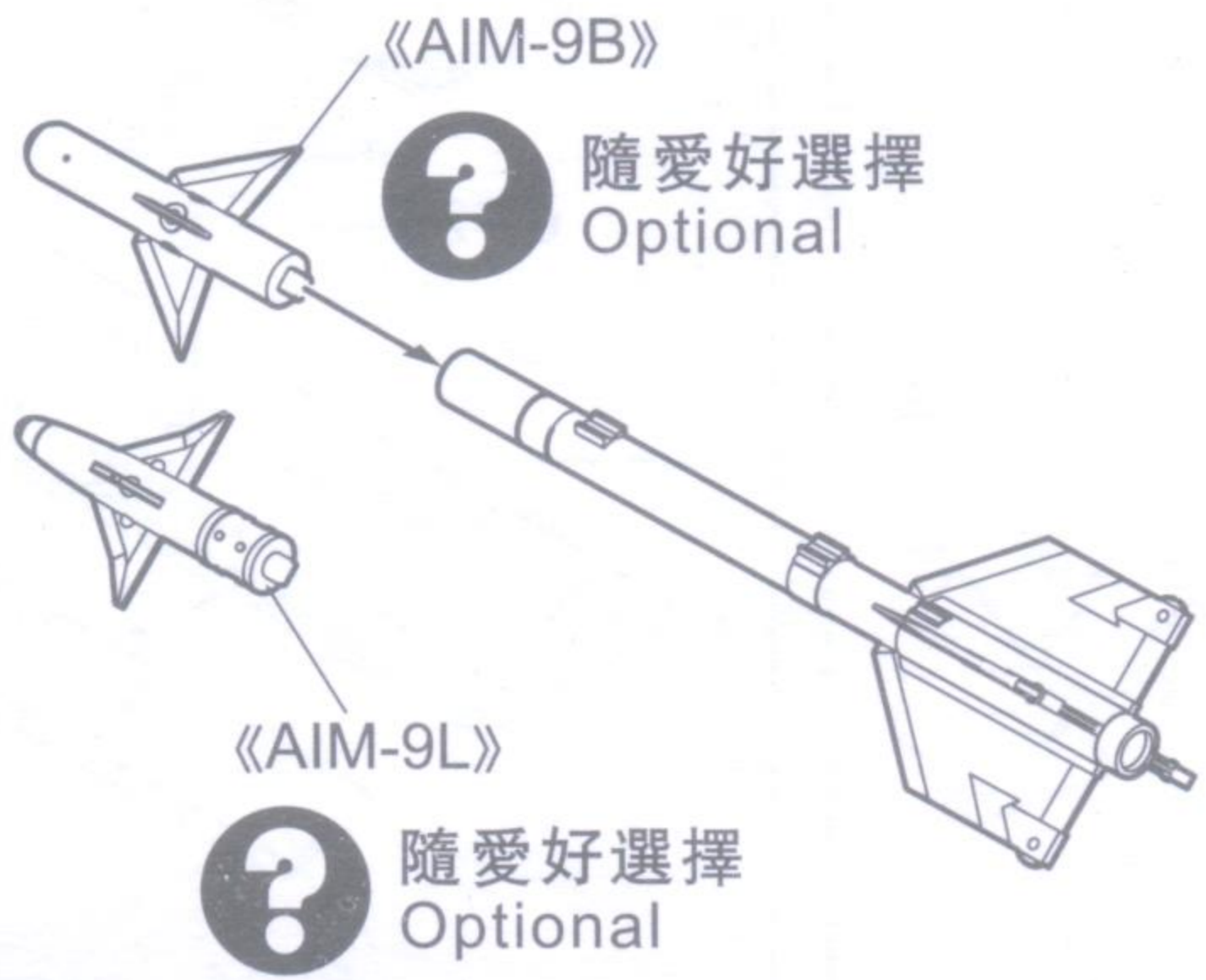
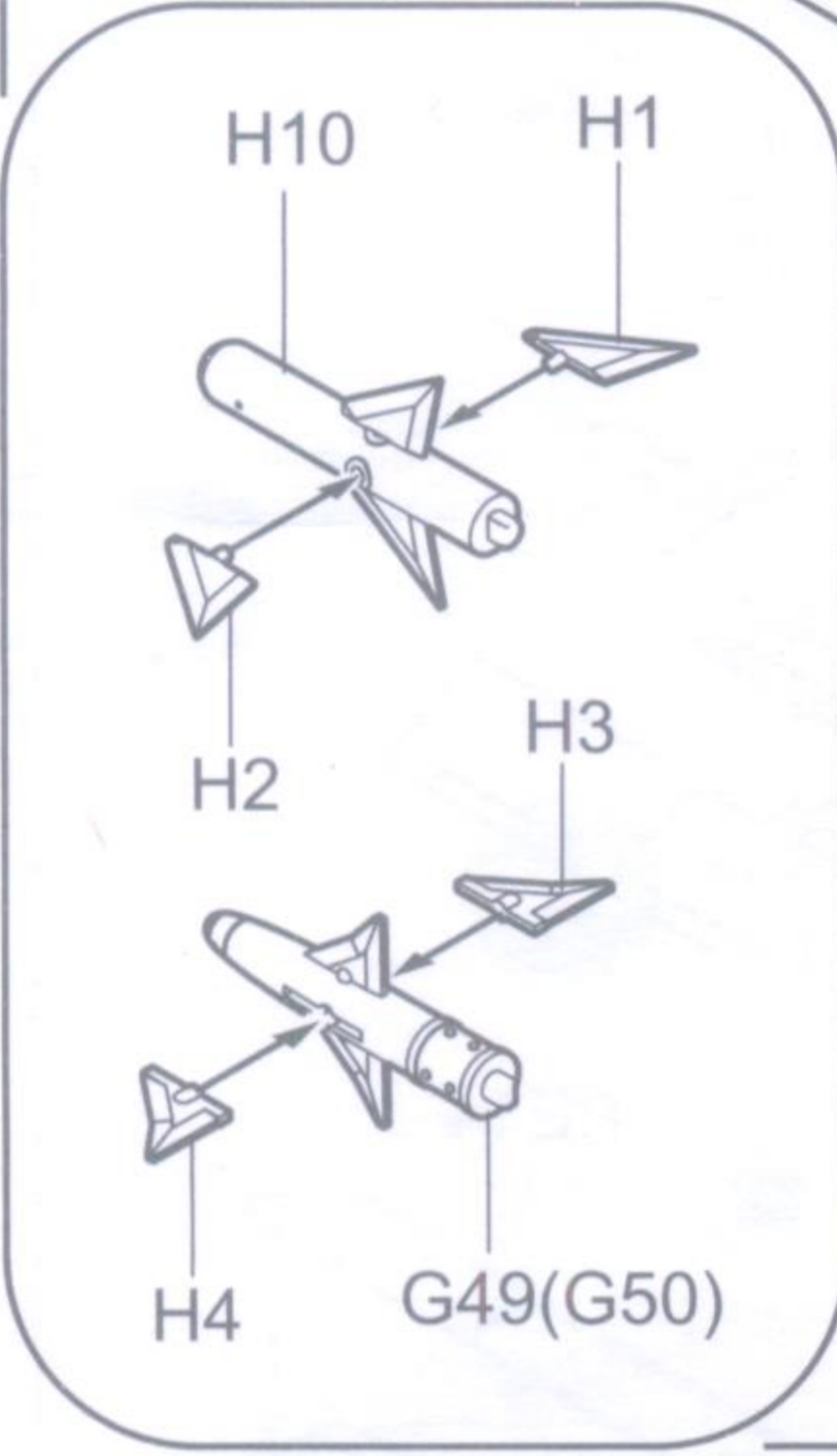
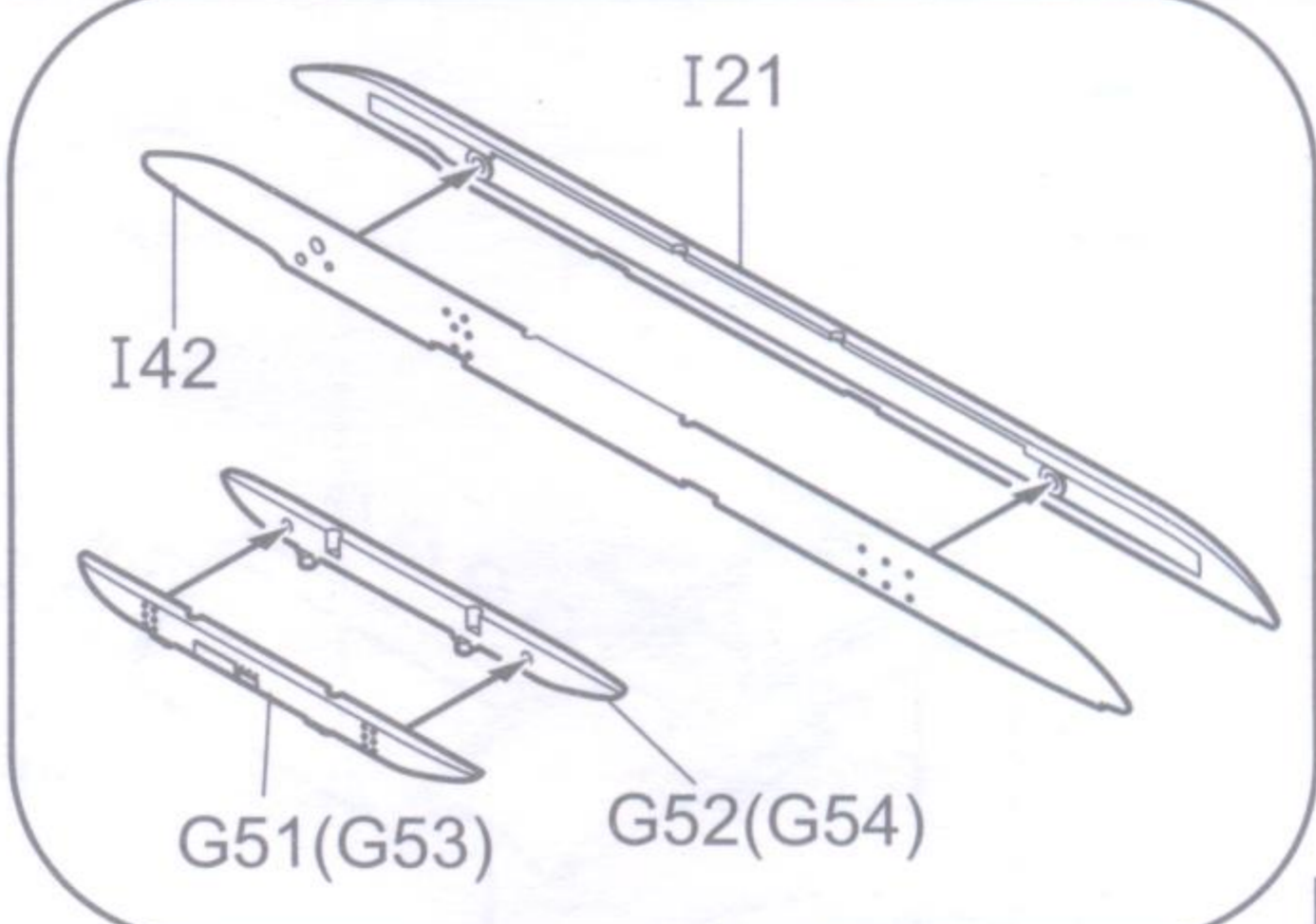
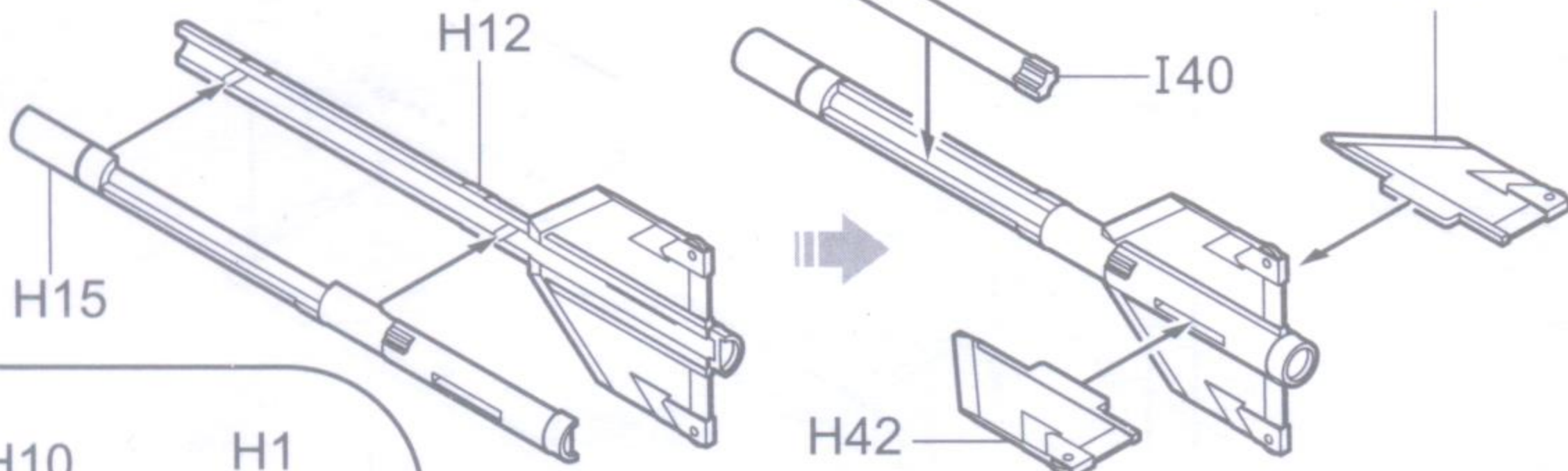
26



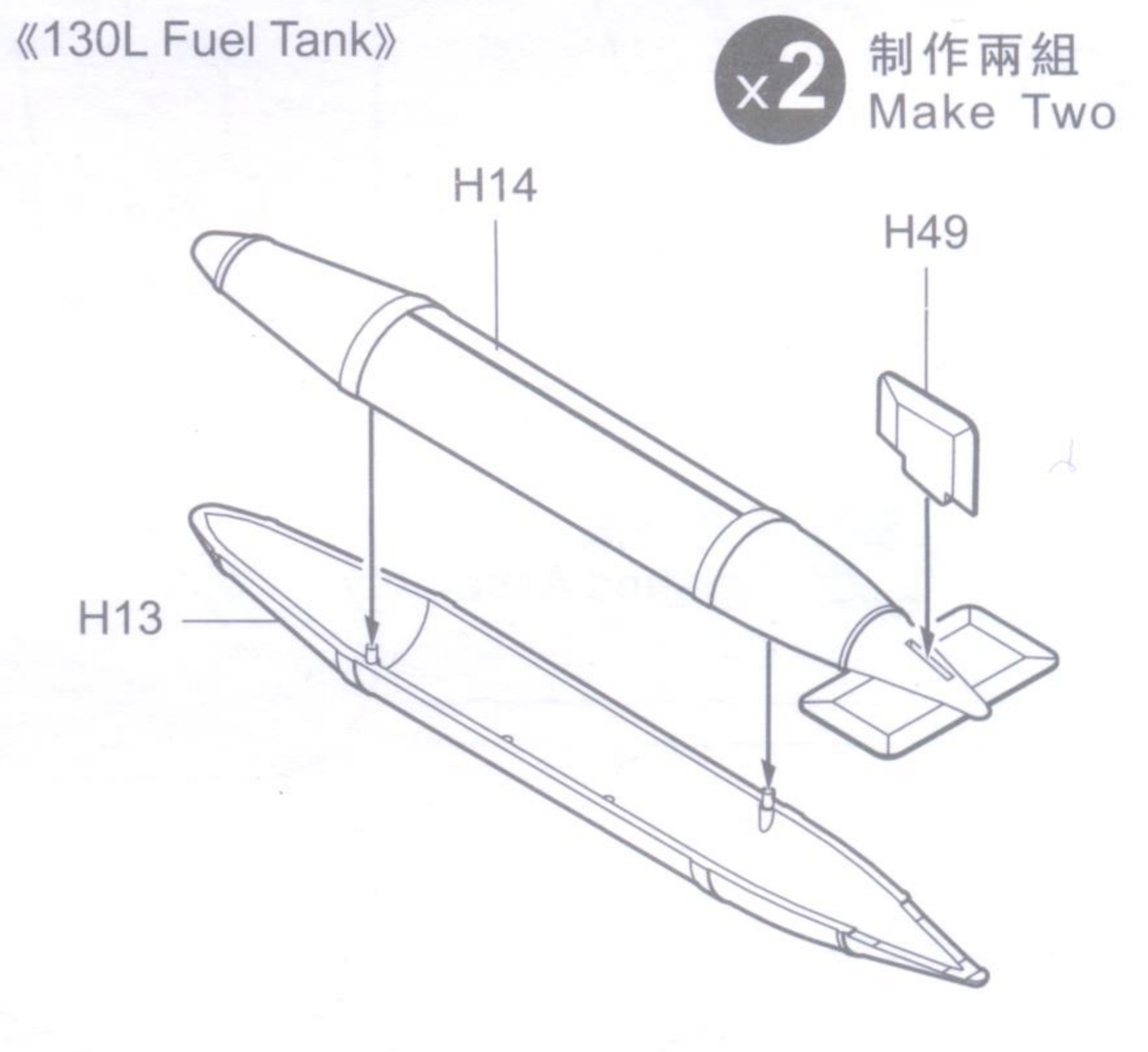
組合完成
Finished Assembly



《AIM-9B》 《AIM-9L》

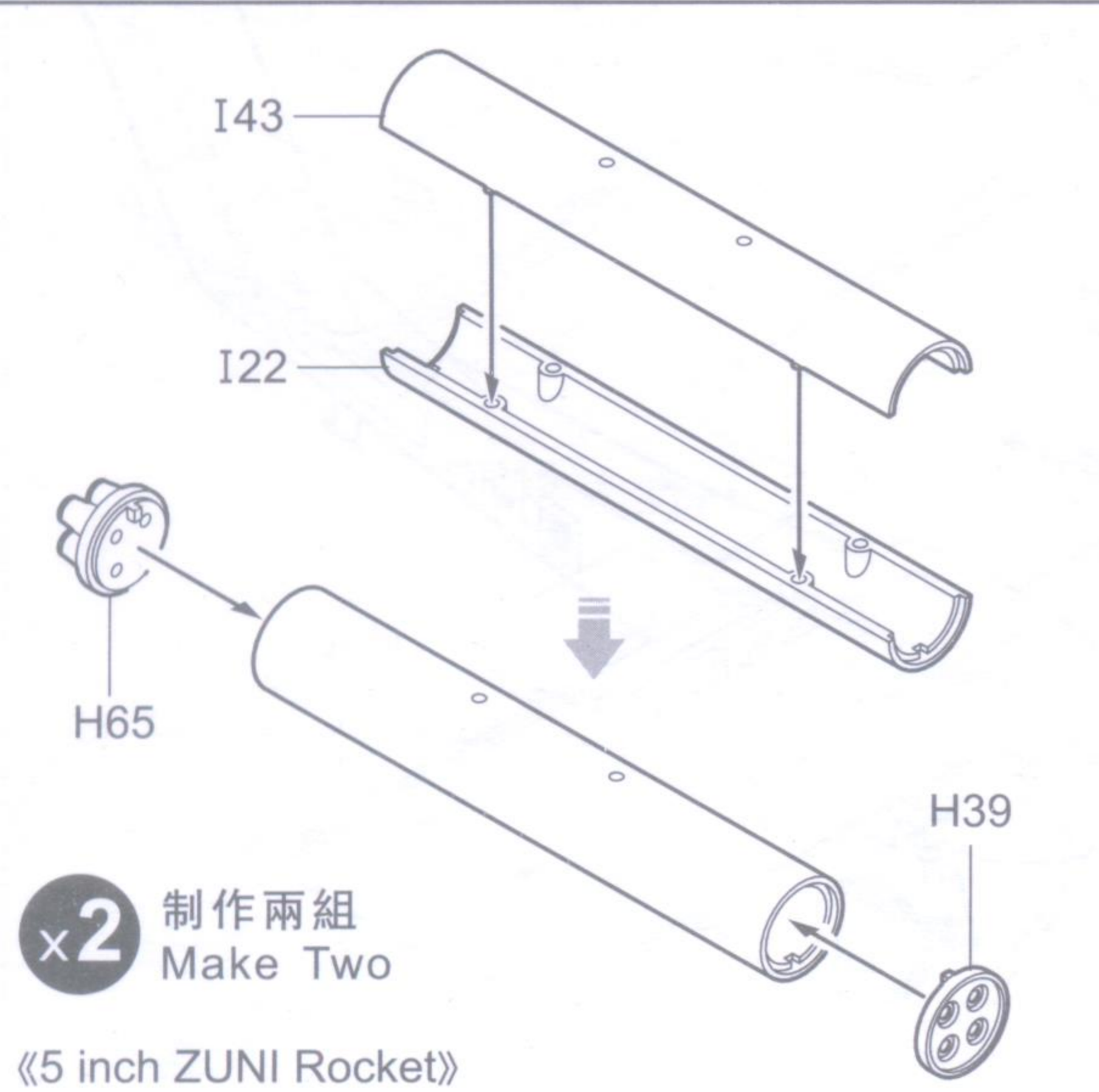


《260L Fuel Tank》



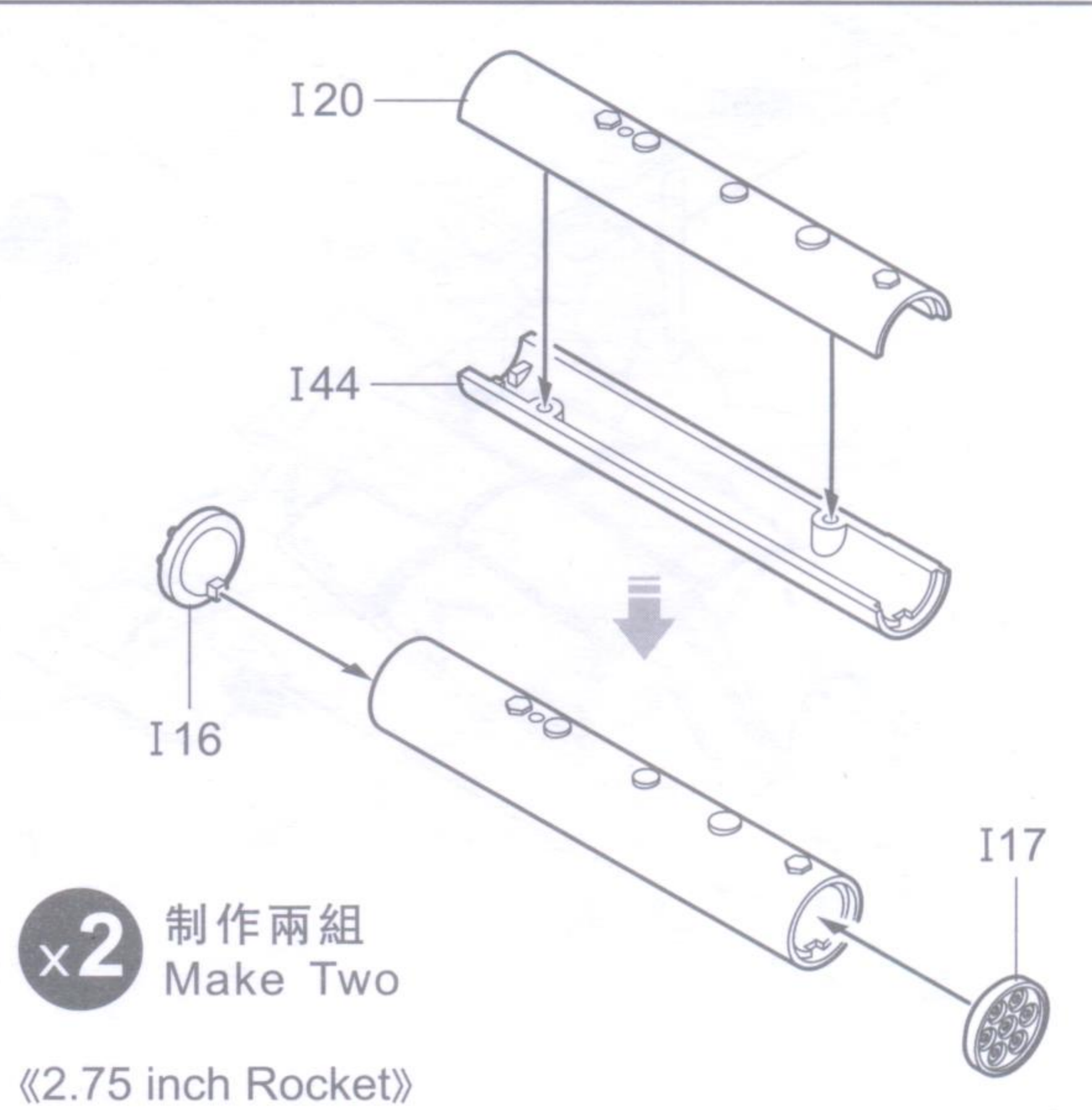
《130L Fuel Tank》

x2 制作兩組 Make Two



x2 制作兩組 Make Two

《5 inch ZUNI Rocket》



x2 制作兩組 Make Two

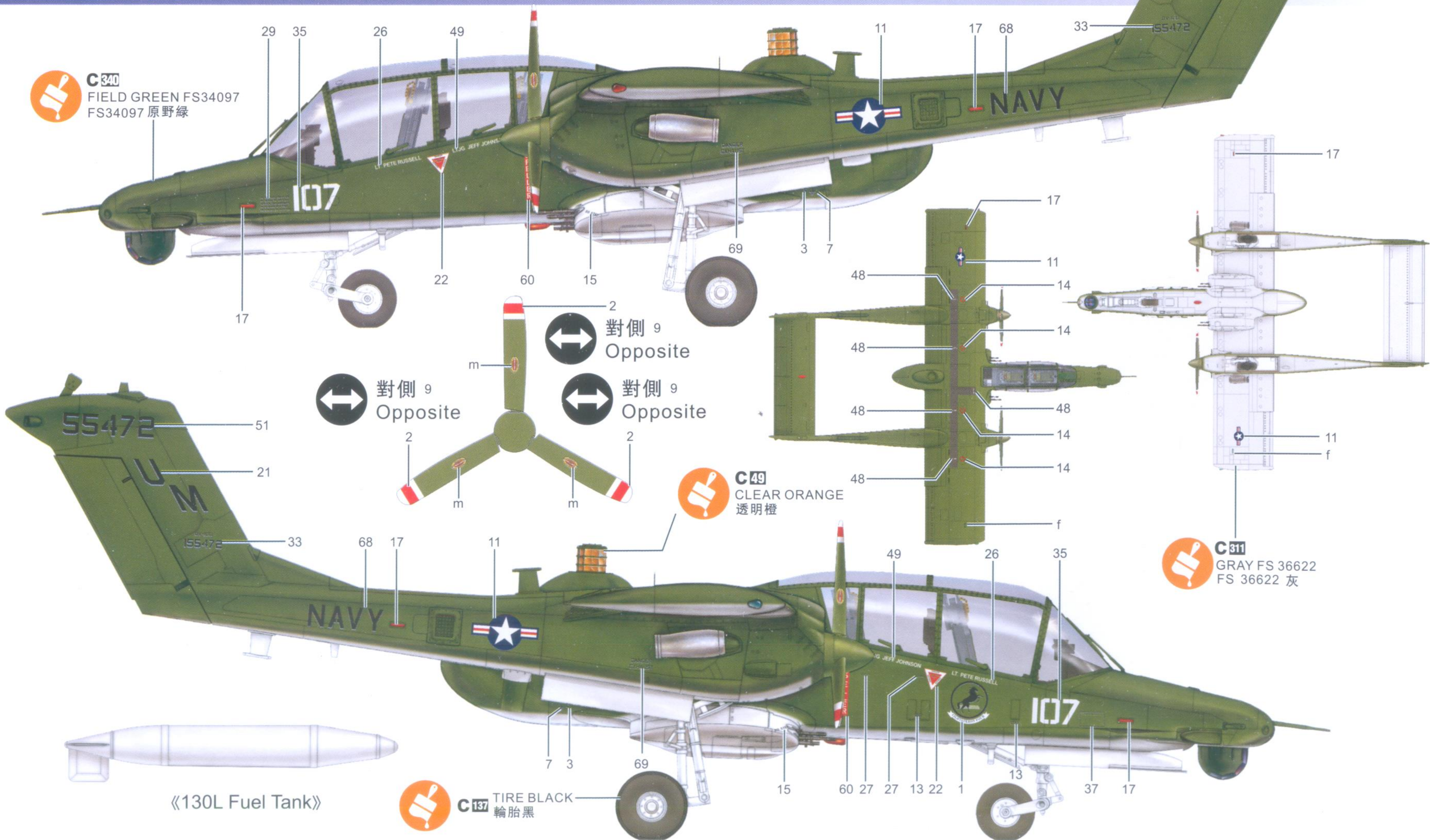
《2.75 inch Rocket》

Painting & marking Guide

塗裝與水貼

C.U.S. Navy.

C340
FIELD GREEN FS34097
FS34097 原野綠



對側 9
Opposite

對側 9
Opposite

對側 9
Opposite

C49
CLEAR ORANGE
透明橙

C311
GRAY FS 36622
FS 36622 灰

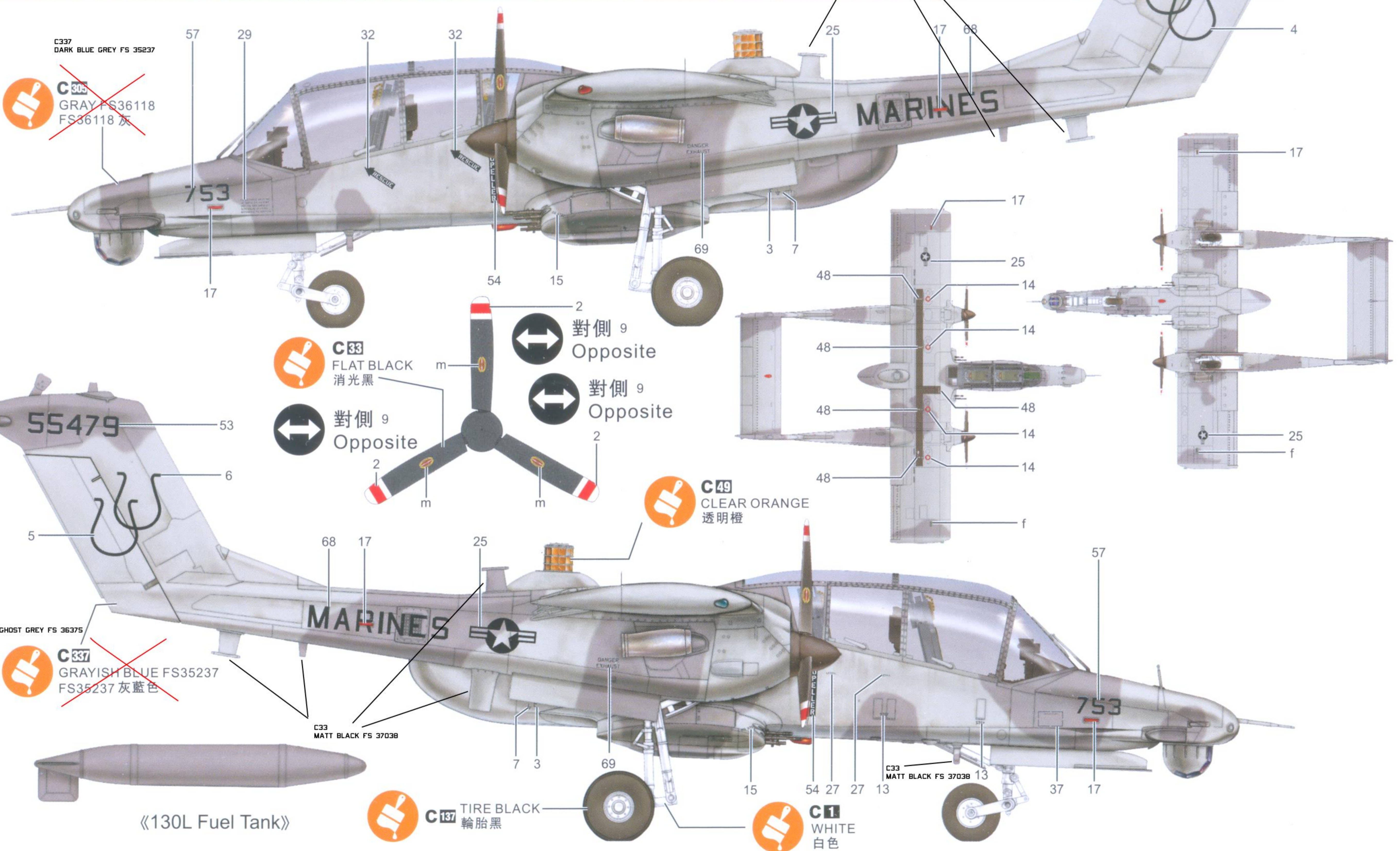
C137
TIRE BLACK
輪胎黑

《130L Fuel Tank》

Painting & marking Guide

塗裝與水貼

D. USA Marines. VMO-2, 55479.



C337
DARK BLUE GREY FS 35237

~~C305
GRAY FS36118
FS36118 灰~~

C33
MATT BLACK FS 37038

C33
FLAT BLACK
消光黑

對側 9
Opposite

對側 9
Opposite

C49
CLEAR ORANGE
透明橙

~~C337
GRAYISH BLUE FS35237
FS35237 灰藍色~~

C33
MATT BLACK FS 37038

C137
TIRE BLACK
輪胎黑

C1
WHITE
白色

C33
MATT BLACK FS 37038

《130L Fuel Tank》

Painting & marking Guide

塗裝與水貼

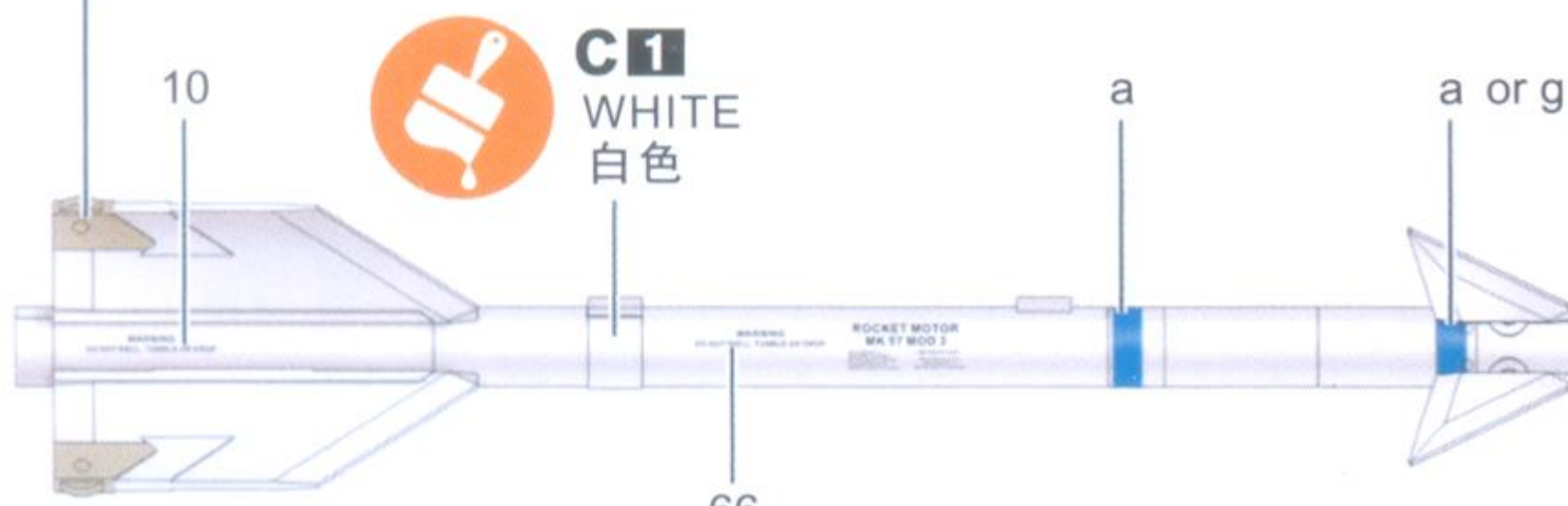
Illustration by Eric Chan

GUNZE SANGYO Mr. color used



C8
SILVER
銀色

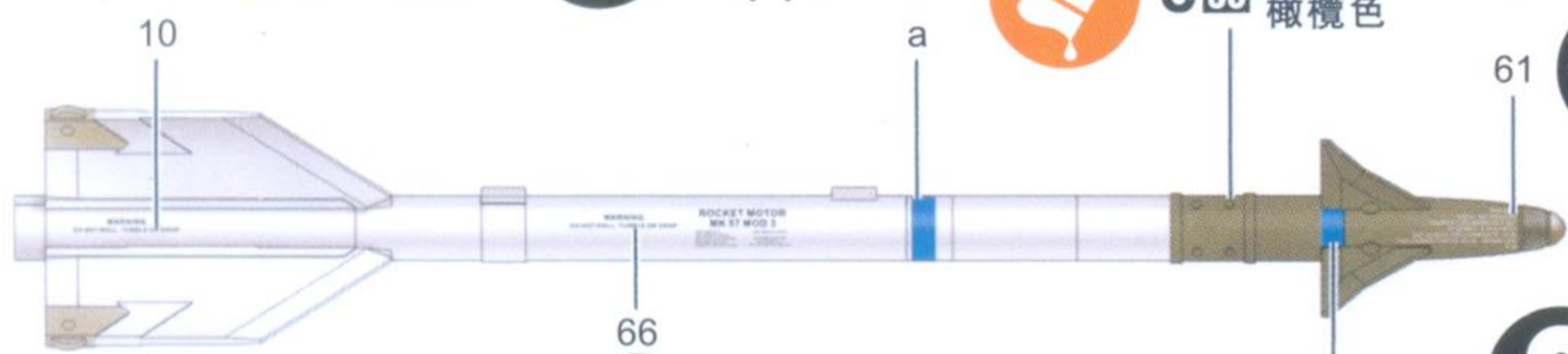
《AIM-9B》



? 隨愛好選擇
Optional

↔ 對側 64
Opposite

《AIM-9L》



↔ 對側 65
Opposite

↔ 對側 62
Opposite

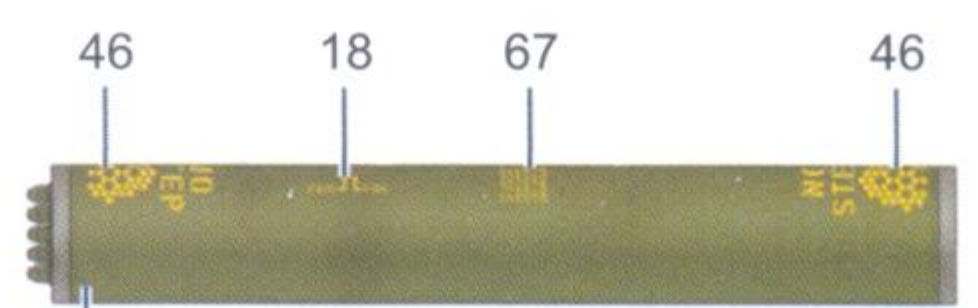
↔ 對側 65
Opposite

? 隨愛好選擇
Optional

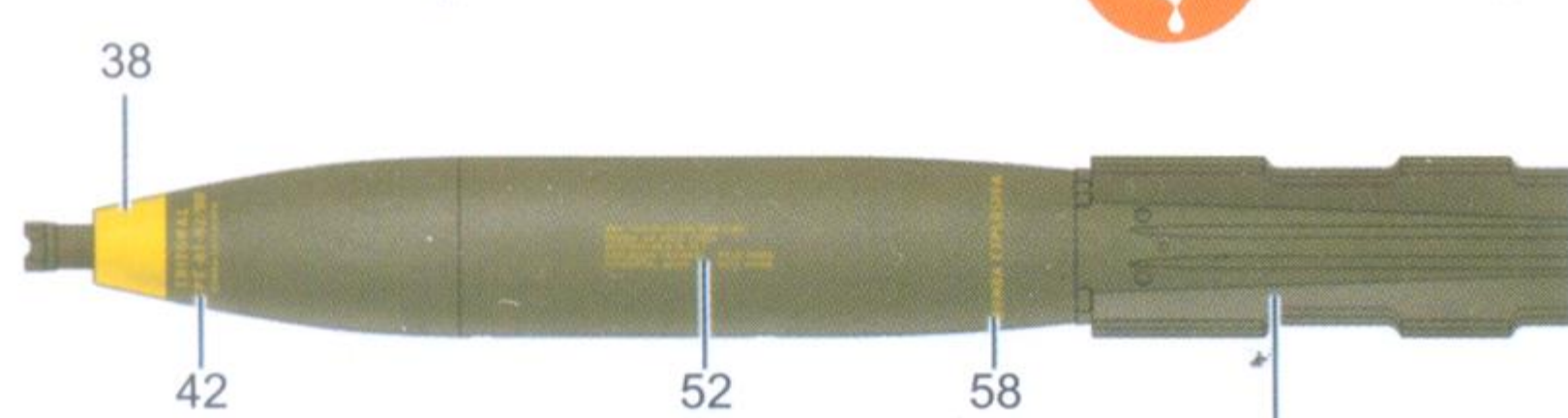
《MK.82 500 IB bomb》



《2.75 inch Rocket》



《MK.82 Snakeye 500 IB bomb》



C38 OLIVER DRAB
橄欖色

《5 inch ZUNI Rocket》

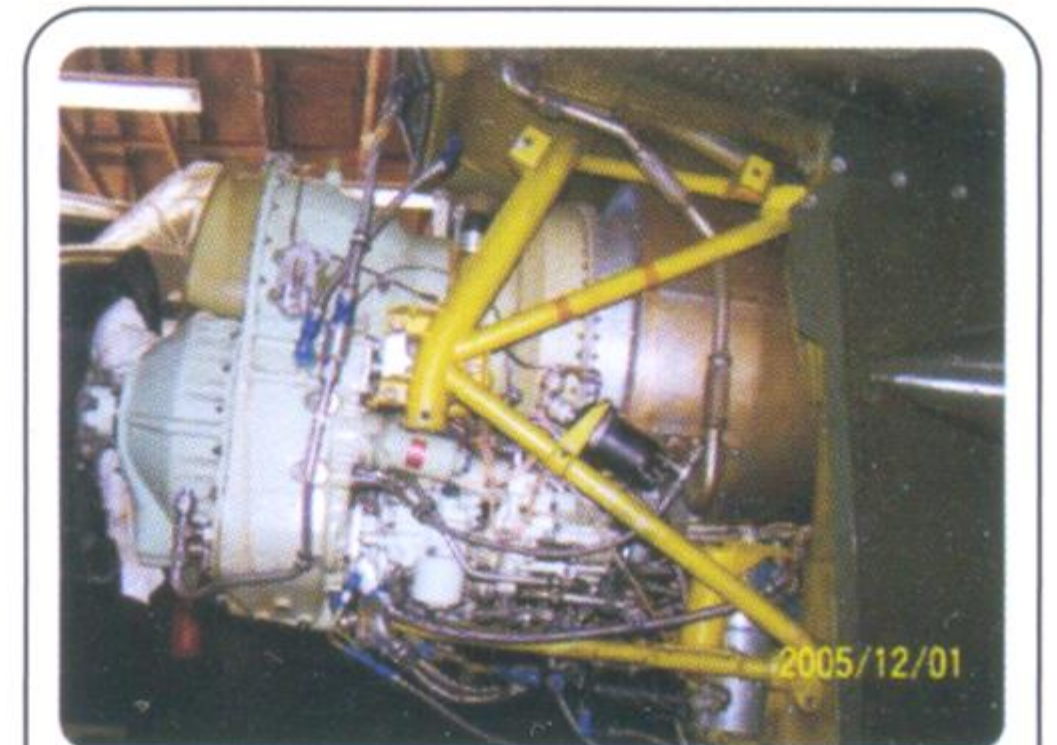
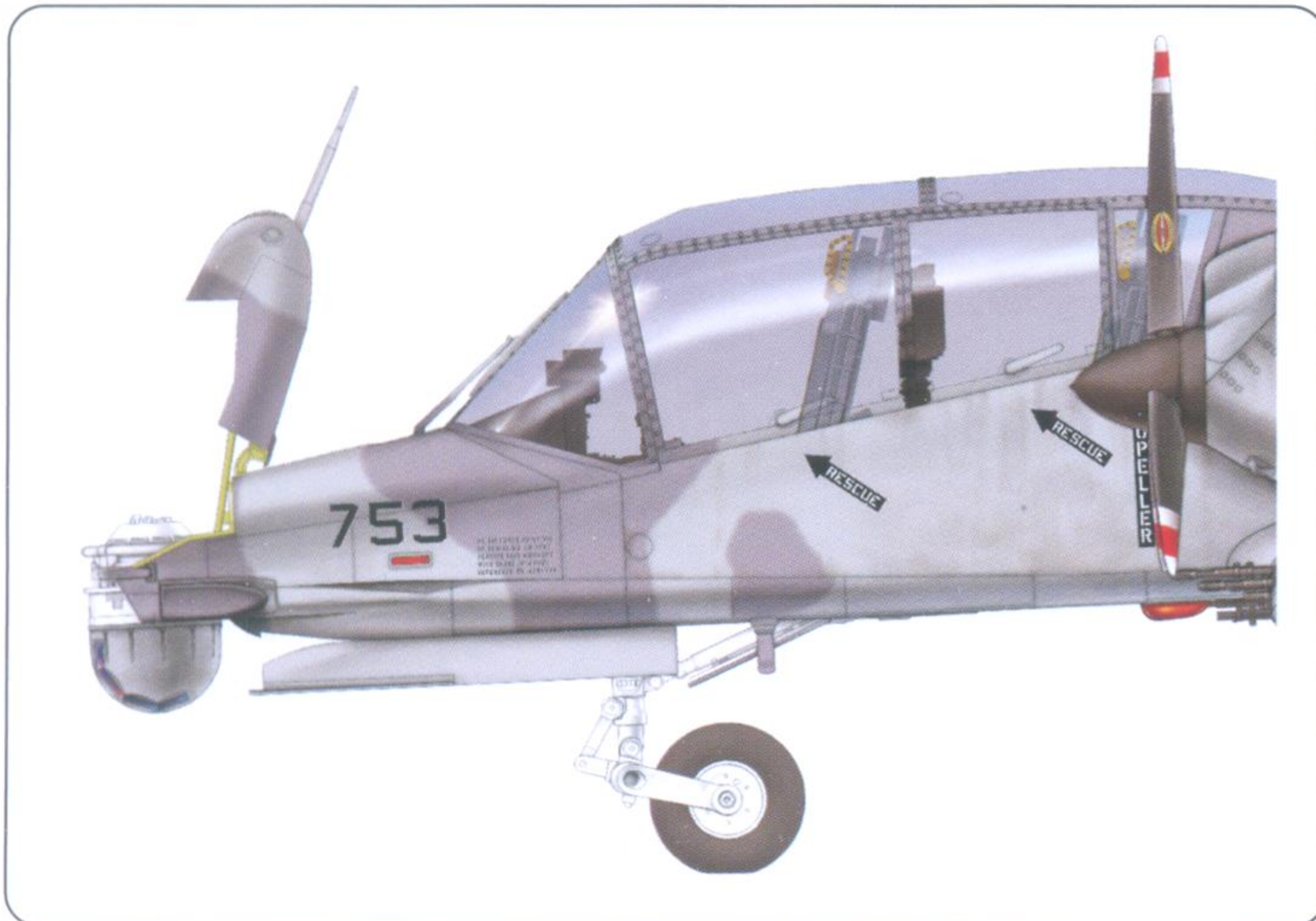
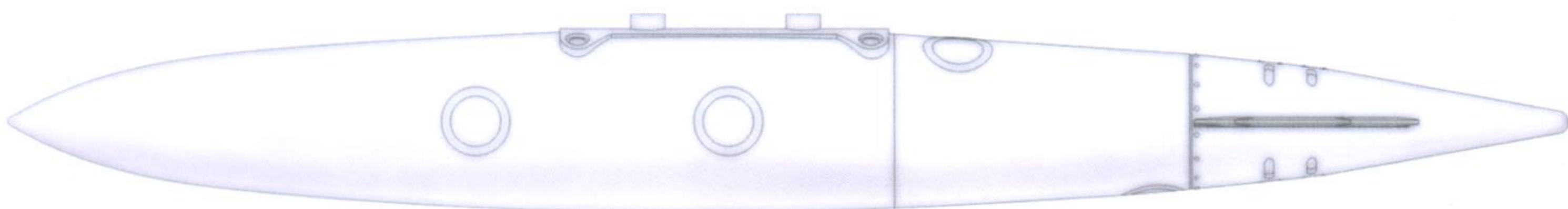


C38 OLIVER DRAB
橄欖色

↔ 對側相同
Both sides

C38 OLIVER DRAB
橄欖色

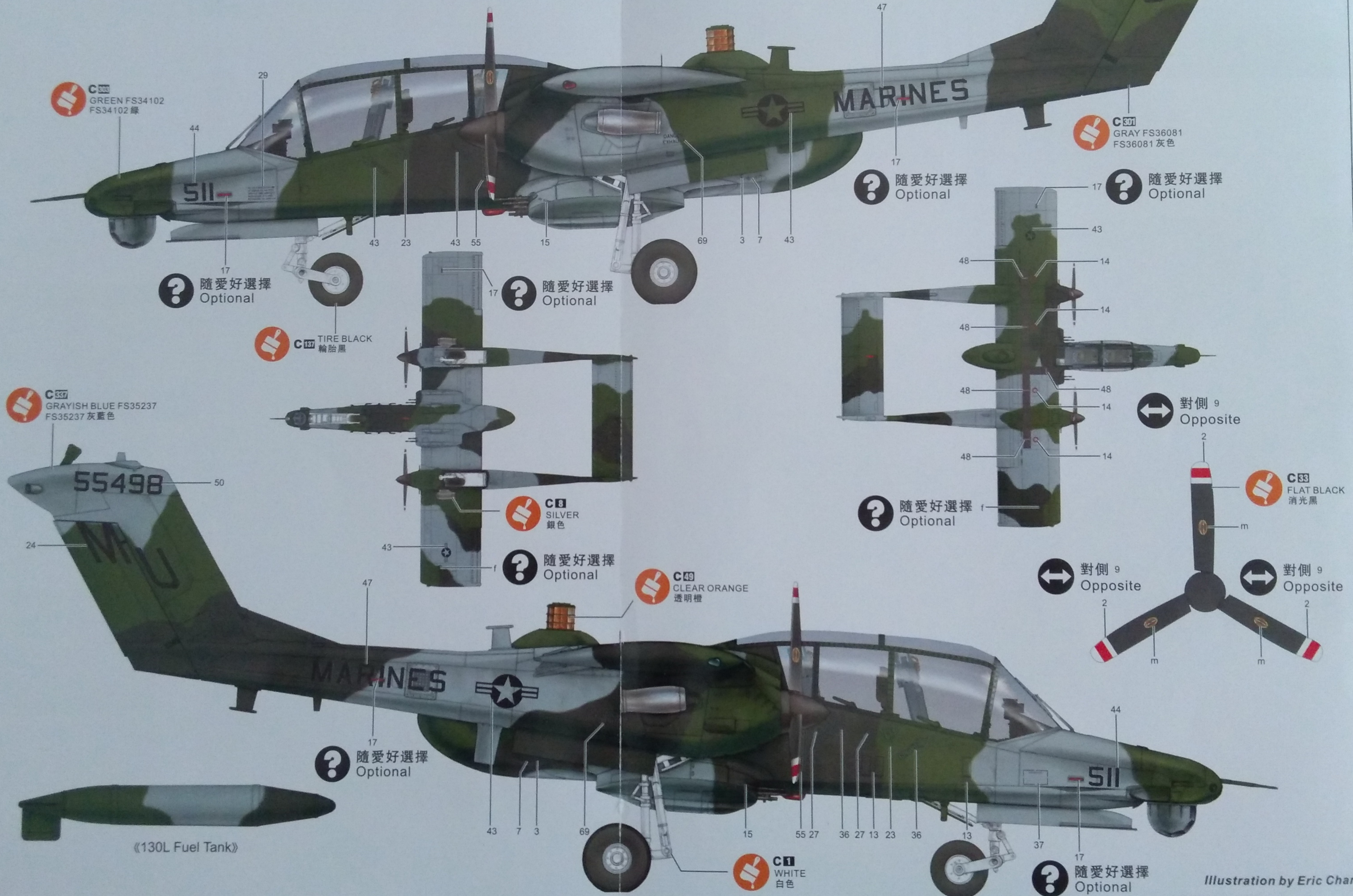
《260L Fuel Tank》



1:32 OV-10 D "BRONCO" Painting & marking Guide

塗裝與水貼

A. USA Marines, VMO-4, 511.



C301
GREEN FS34102
FS34102 綠

C301
GRAY FS36081
FS36081 灰色

? 隨愛好選擇
Optional

? 隨愛好選擇
Optional

? 隨愛好選擇
Optional

? 隨愛好選擇
Optional

C167
TIRE BLACK
輪胎黑

C337
GRAYISH BLUE FS35237
FS35237 灰藍色

C8
SILVER
銀色

? 隨愛好選擇
Optional

C33
FLAT BLACK
消光黑

? 隨愛好選擇
Optional

C49
CLEAR ORANGE
透明橙

↔ 對側 9
Opposite

↔ 對側 9
Opposite

? 隨愛好選擇
Optional

C1
WHITE
白色

? 隨愛好選擇
Optional

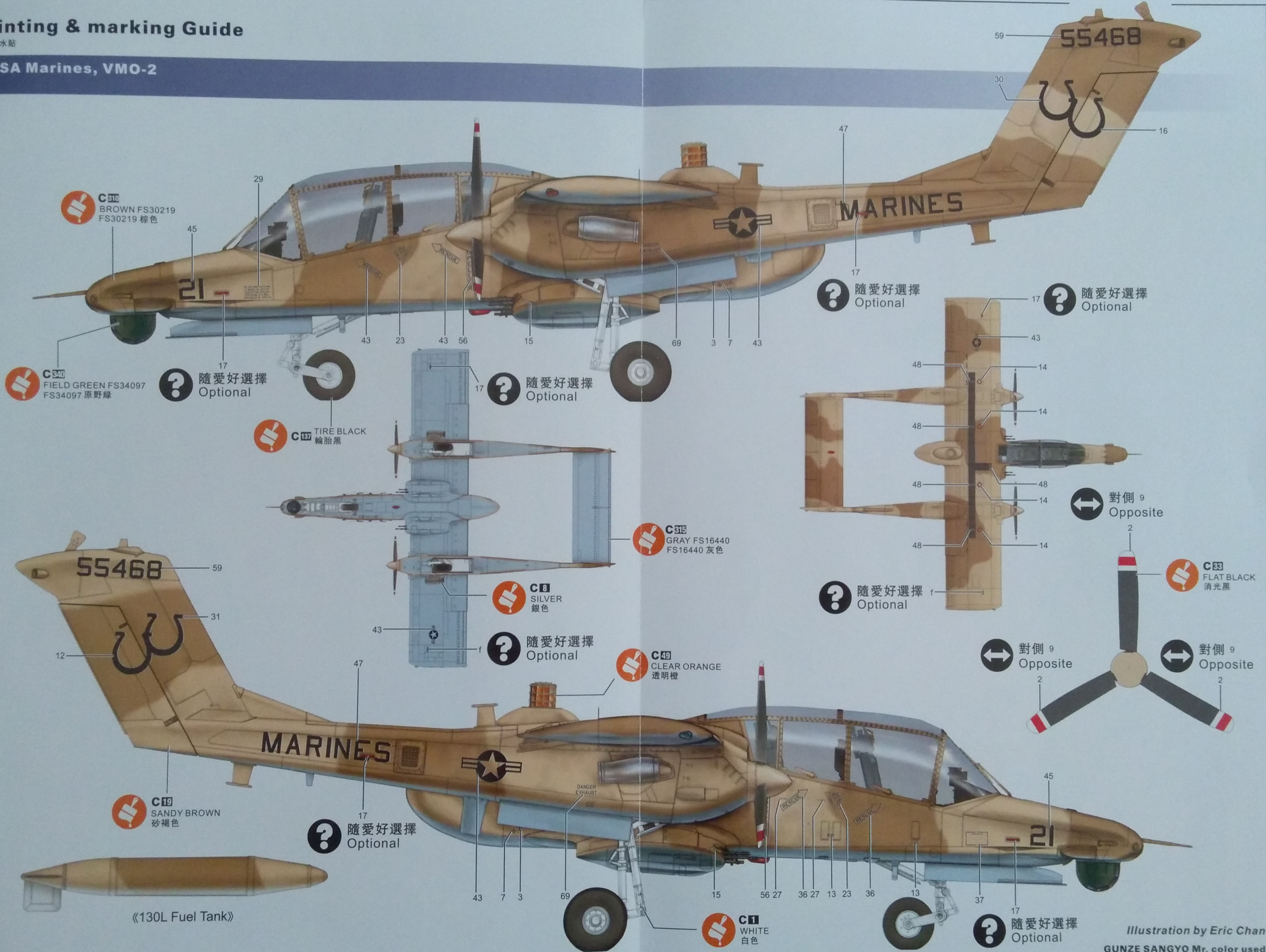
《130L Fuel Tank》

Illustration by Eric Chan
GUNZE SANGYO Mr. color used

Painting & marking Guide

塗裝與水貼

B. USA Marines, VMO-2



C310
BROWN FS30219
FS30219 棕色

C320
FIELD GREEN FS34097
FS34097 原野綠

C157
TIRE BLACK
輪胎黑

C315
GRAY FS16440
FS16440 灰色

C8
SILVER
銀色

C49
CLEAR ORANGE
透明橙

C19
SANDY BROWN
砂褐色

C1
WHITE
白色

C33
FLAT BLACK
消光黑

《130L Fuel Tank》