

# F-14B Tomcat

## F-14B トムキャット

## 美国F-14B“雄猫”战斗机

### PLEASE READ BEFORE OPERATION!

Tools recommended as below: (Not included)

Adhesives; Paints; Side Cutters; Sharp Edged Pliers; Modeling Knife; Modeling File; Nippers; Drill; Scissors; Sand Paper; Soft Cloth; Cyanoacrylate Glue.

Make sure to read this instruction listed below before assembling.

The kit contains the small parts, they can be dangerous if swallowed by mistake, so keep them away from reach of children.

Cut the all parts off carefully and remove the waste parts into the garbage can.

More caution and care should be needed for cutting and handling the photo etched parts.

Make attention that some parts should be attached the decal when assembled.

During assembling, please tear up and throw away the plastic bags, or may cause the dangerous if wearing over head by children's mistake.

When using the adhesives and paints, please do not use them in the closed room or near the fire, also must be very careful to protect your eyes, face and clothes.

Adult supervised when assembled by children under 14 years old.

### 装配前请仔细阅读:

\* 推荐使用的模型工具(请自备):

专用模型胶水, 专用模型油漆, 水口剪刀, 长咀钳, 刀片, 锉刀, 镊子钳, 钻, 剪刀, 软布, 砂纸, 瞬间快干胶等。

\* 用水口剪刀或刀片小心切下所有塑胶零件和蚀刻片零件, 不要遗失小零件。

\* 切取蚀刻片时应特别注意防止利边划伤手指。

\* 用模型锉刀小心锉平所有零件表面的注射浇口。

\* 用适量的强力快干胶水粘合蚀刻片零件和金属轴, 切忌过量, 否则可能导致可动零件被粘住。

\* 注意某些零件表面需在装配时同步贴水上贴纸。

\* 制作时应远离幼儿并将包装袋及时收妥, 谨防小孩玩耍而引起意外。



cyanoacrylate glue  
强力胶



weight  
配重



make hole  
钻孔



cut / remove  
切除



option  
选择



no cement  
不涂胶水



decal  
贴纸



bend  
弯曲



repair  
填补

### The method to apply the decals

1. Cut off the decal from the decal paper and put it into the warm water 40°C for 10 seconds.

2. Take the decal from the water and put it on a piece of clean cloth.

3. Remove the decal slowly from the paper to the targeted location by a wet finger.

4. Use a piece of dry and soft cloth to press it gently on the decal until it getting dry and no bubble existing.

### 水贴纸的使用方法:

一. 把相关的印花从水贴上剪下, 放入40°C左右的温水中浸10秒。

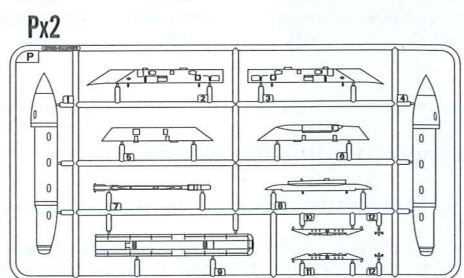
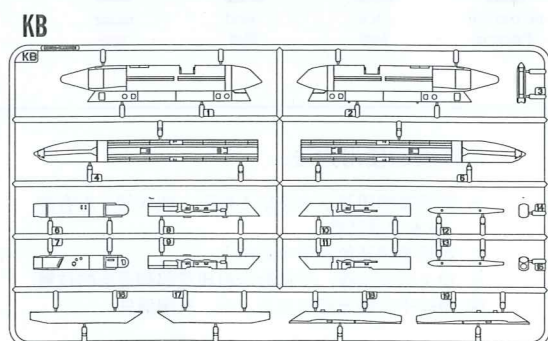
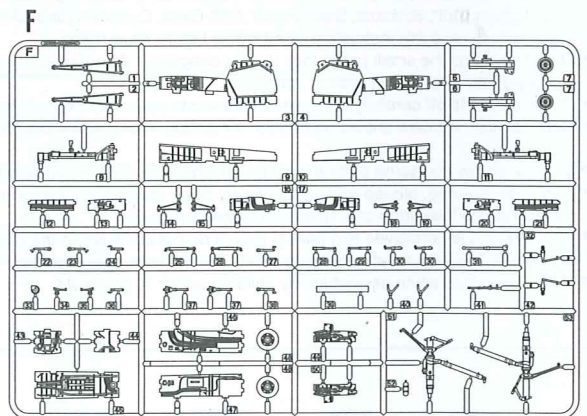
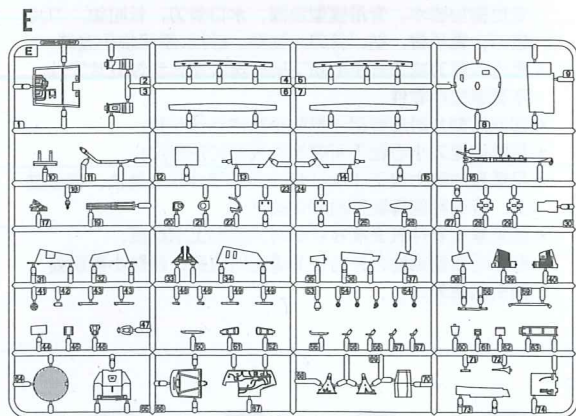
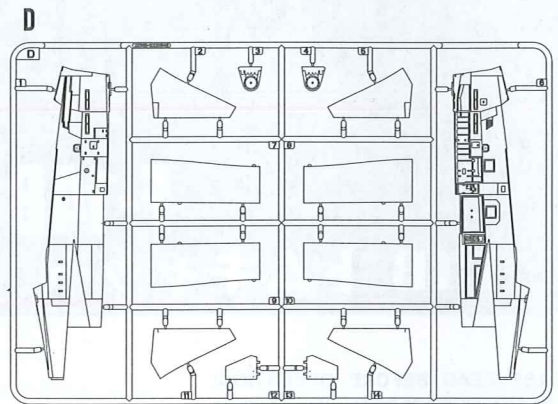
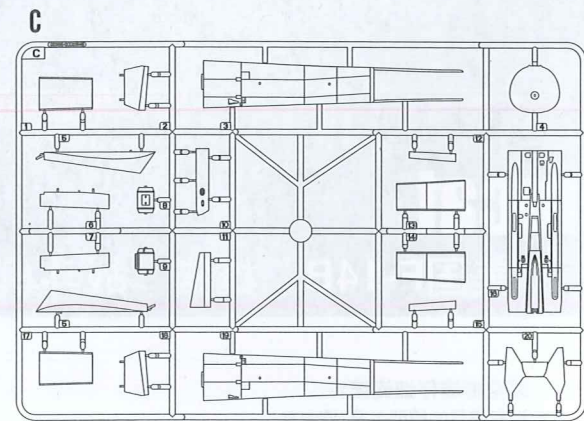
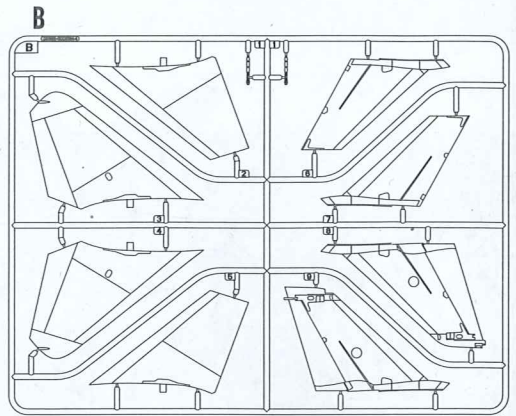
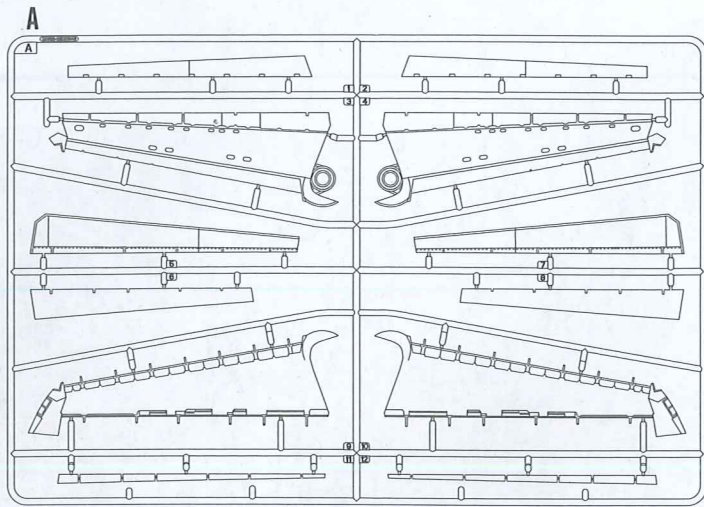
二. 然后将印花放在干净的布上。

三. 拿上印花纸板, 手指蘸水将印花移到适当的位置。

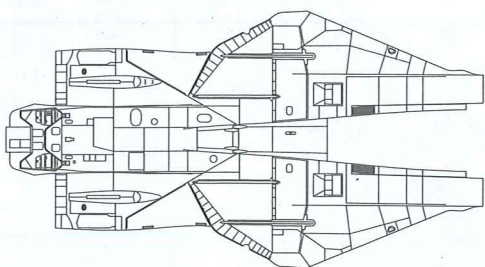
四. 用软干布轻压印花直至水干, 气泡消失。



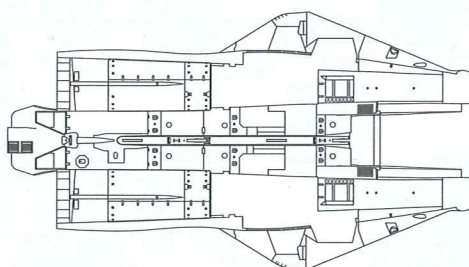
# 部品图 Parts



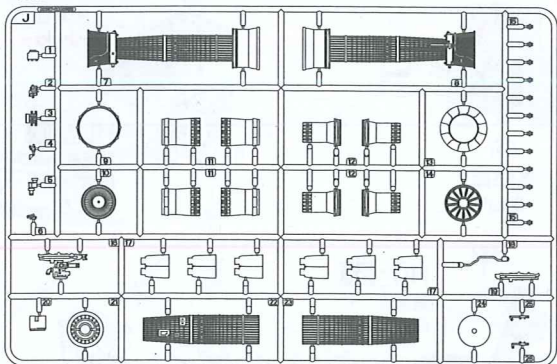
《上部机身》  
Top Fuselage



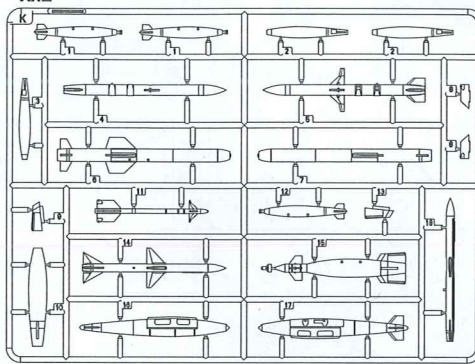
《下部机身》  
Lower Fuselage



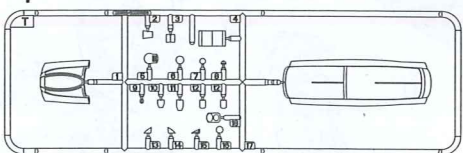
Jx2



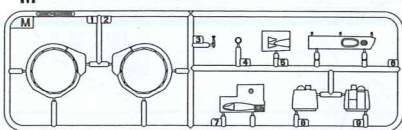
Kx2



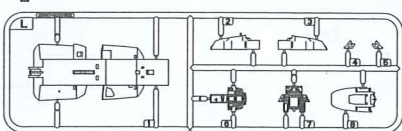
T



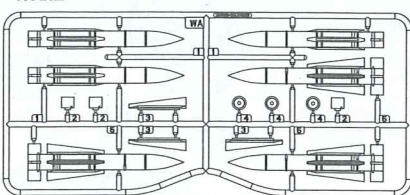
M



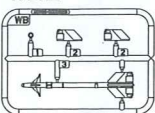
L



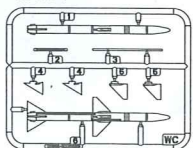
WAx2



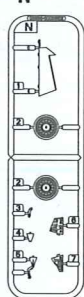
WBx2



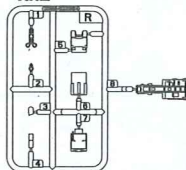
WCx4



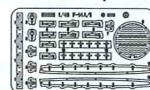
N



Rx2



《蚀刻片》  
Photo etched parts(PE)

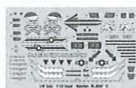


不用的部件: E18 E53 P8 KB1 KB2 KB8  
Unused parts KB10 KB15 K4 K5 K6 K7  
T2 T3 T4 T6 T7 T12

《前轮胎》X2  
Nose tyre



《水贴》  
Decal



A



C



B



D

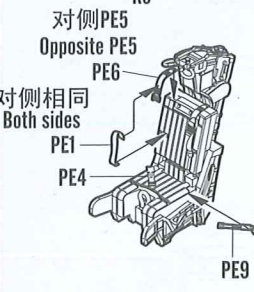
《主轮胎》X2  
Main tyre



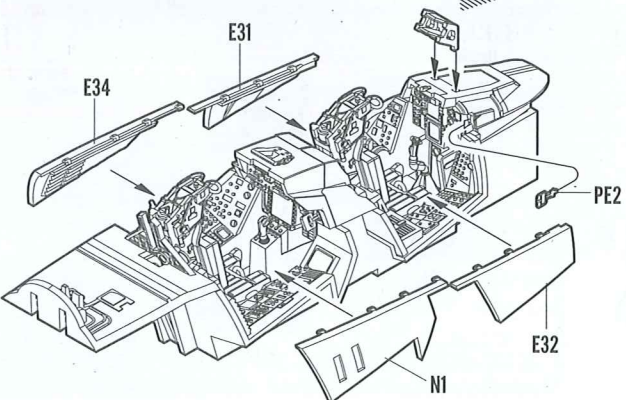
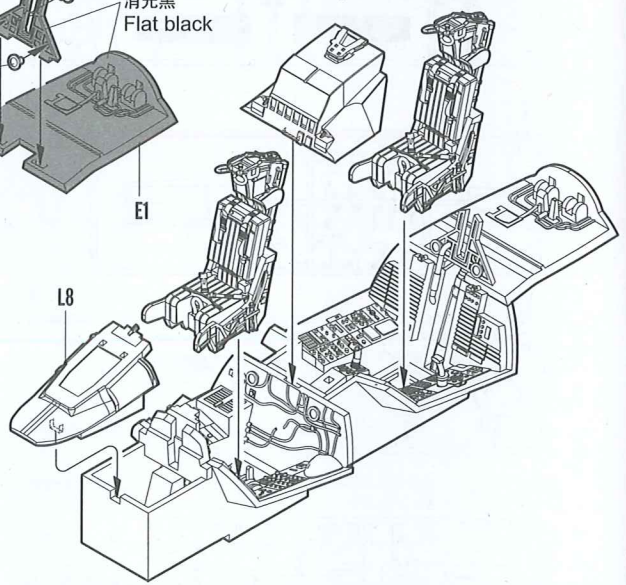
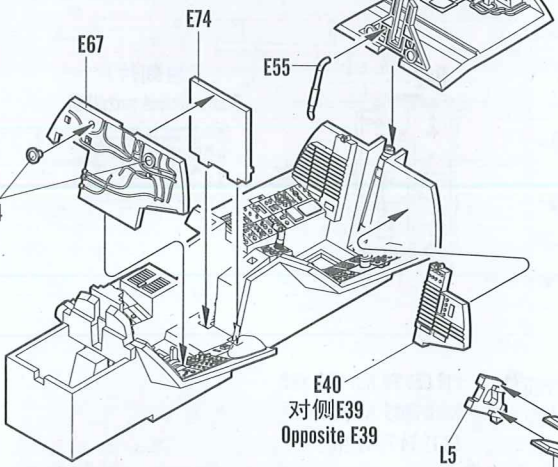
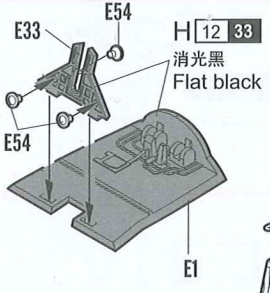
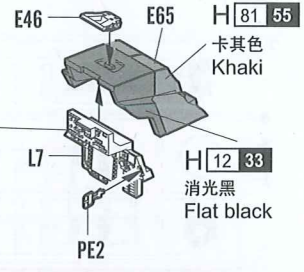
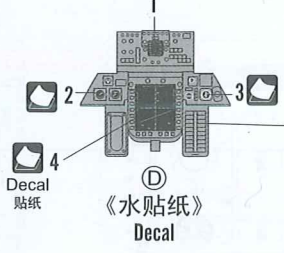
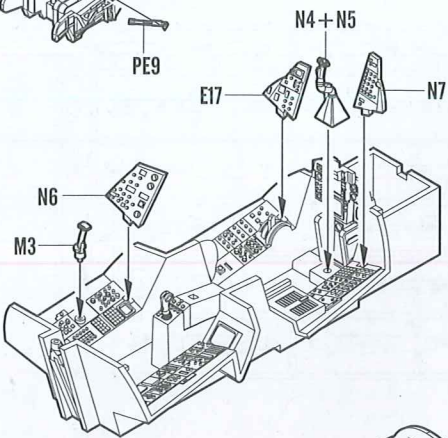
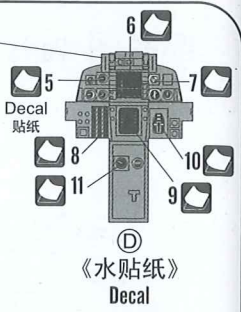
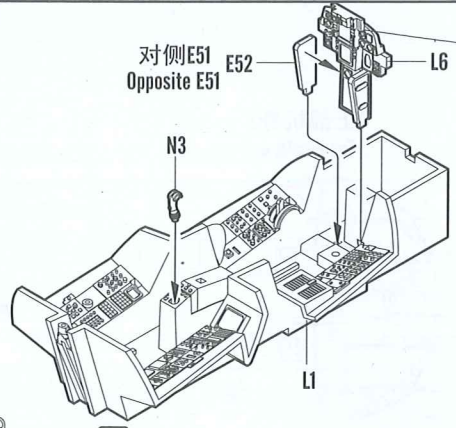
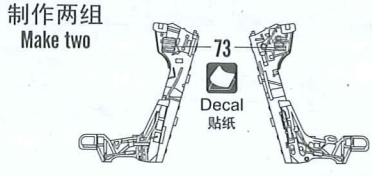
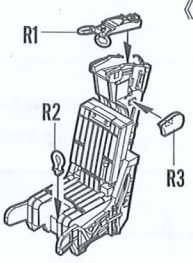


**1**  
STEP

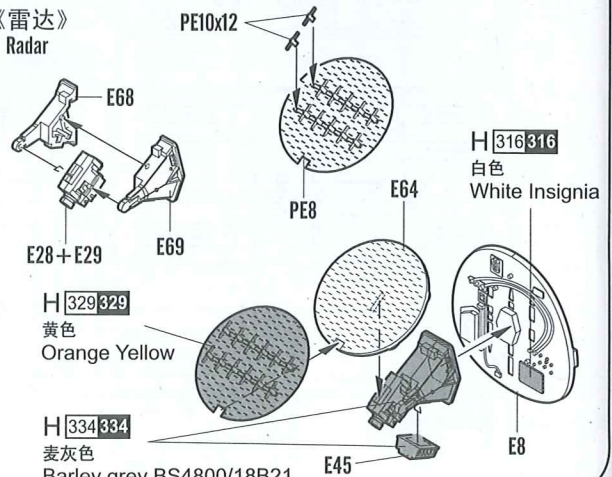
H 81 55  
卡其色  
Khaki



《座舱》  
Cockpit



《雷达》  
Radar





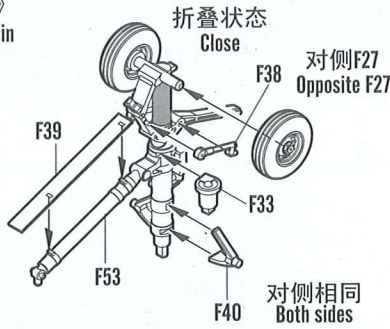
2  
STEP

《前轮舱》  
Nose gear cabin

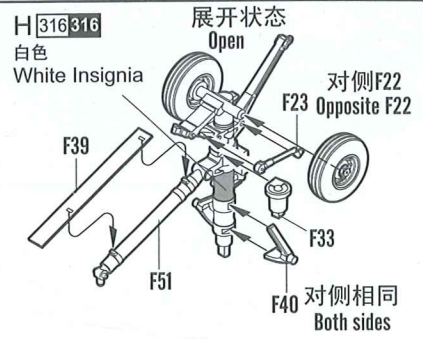


《前轮胎》 F7  
Nose tyre

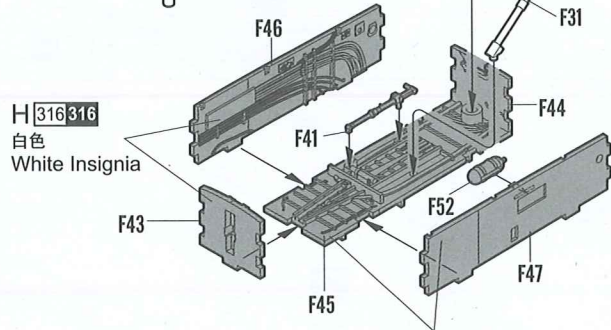
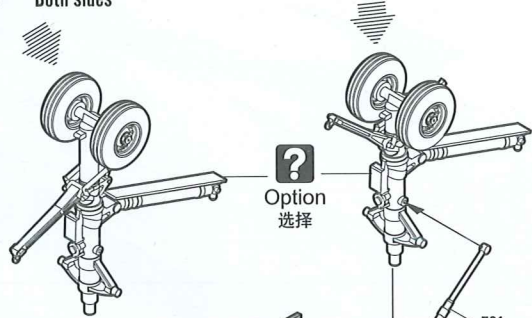
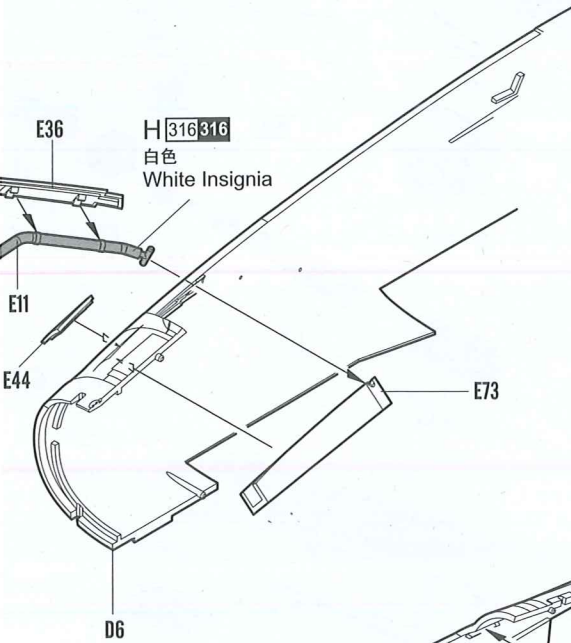
制作两组  
Make two



对侧相同  
Both sides



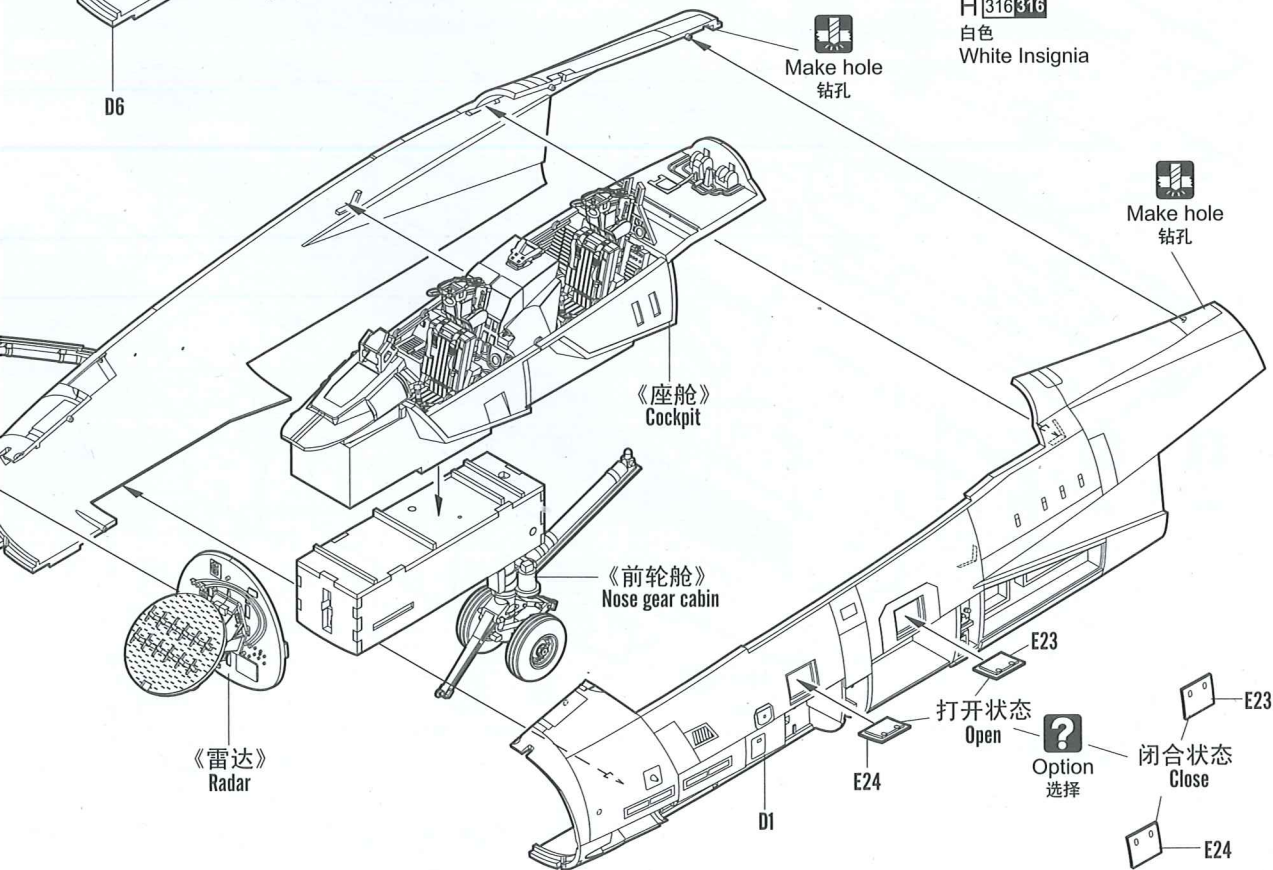
对侧相同  
Both sides



H 316 316  
白色  
White Insignia

Make hole  
钻孔

Make hole  
钻孔



《座舱》  
Cockpit

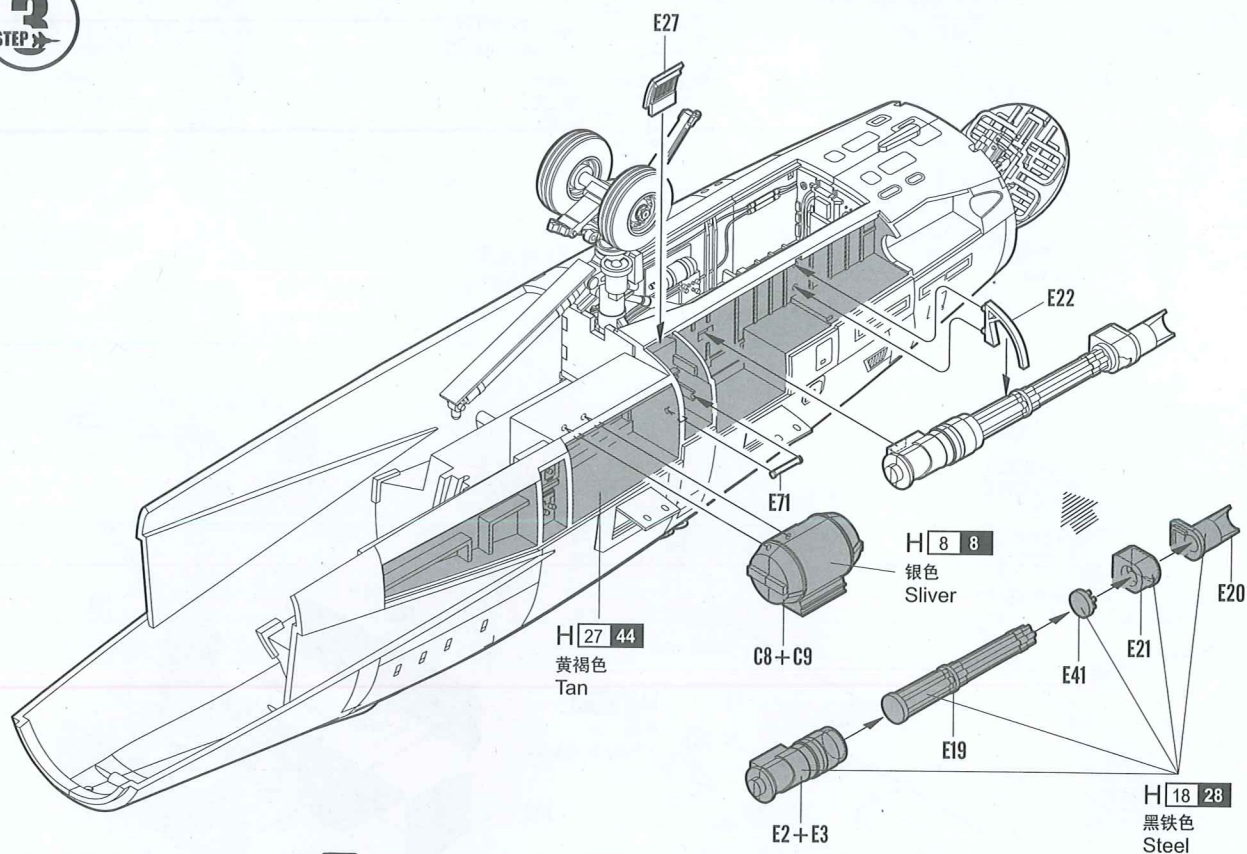
《前轮舱》  
Nose gear cabin

《雷达》  
Radar

打开状态  
Open  
Option  
选择

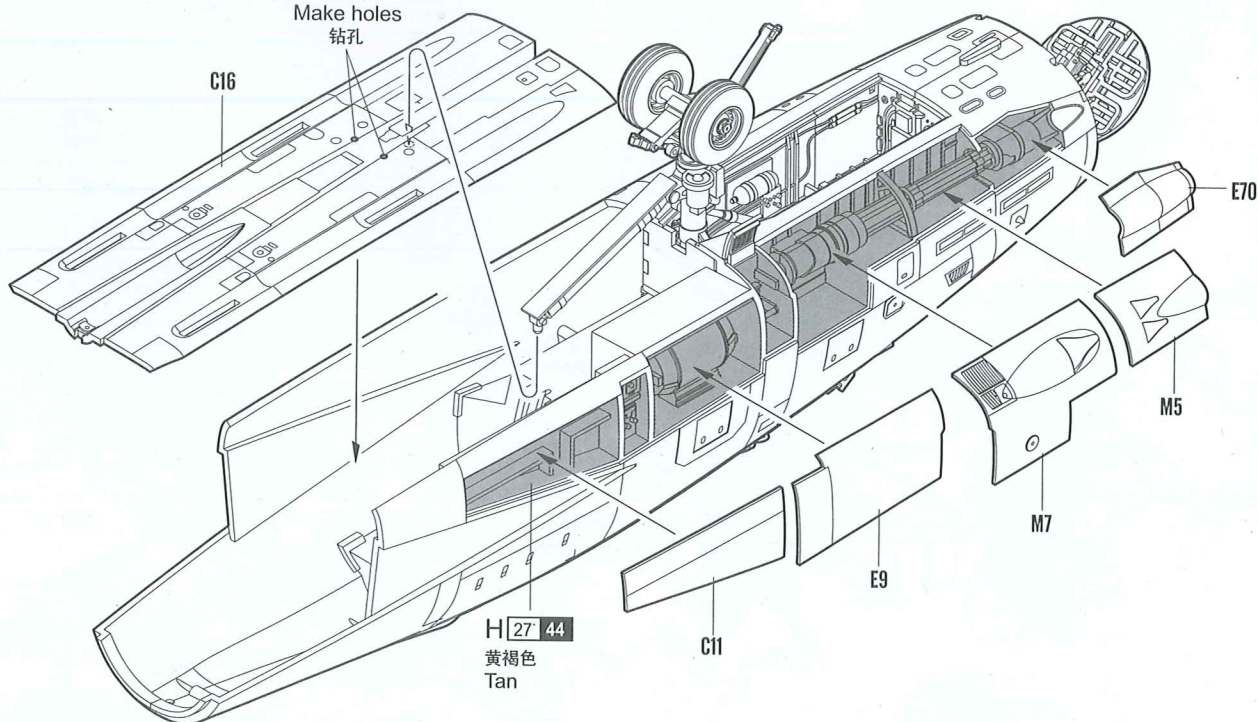
闭合状态  
Close

E24



**?**  
Option  
选择

**⊠**  
Make holes  
钻孔







《左侧机翼》  
Left wing

H 327 327  
红色  
Insignia Red

A4

A12

A10

H 327 327  
红色  
Insignia Red

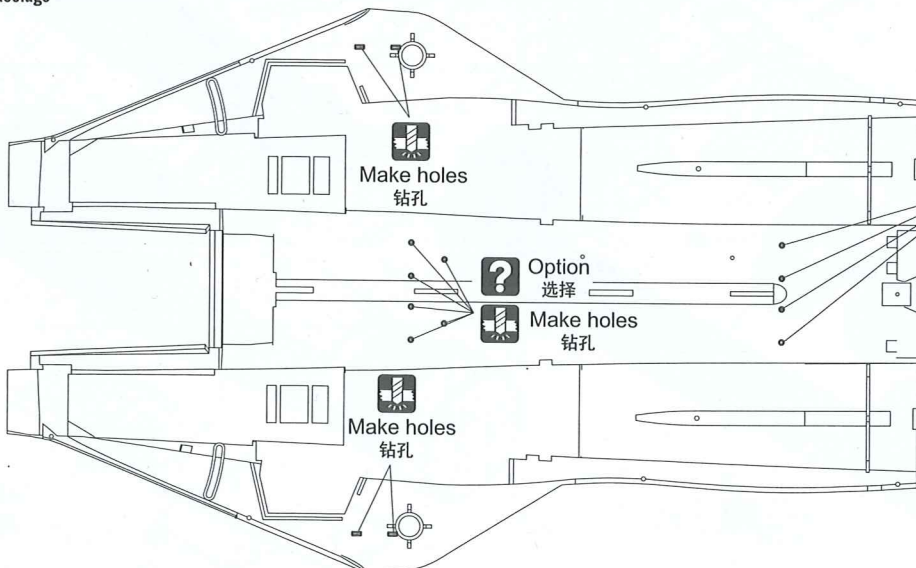
A5 + A6

A2

闭合状态时切除  
Cut when close

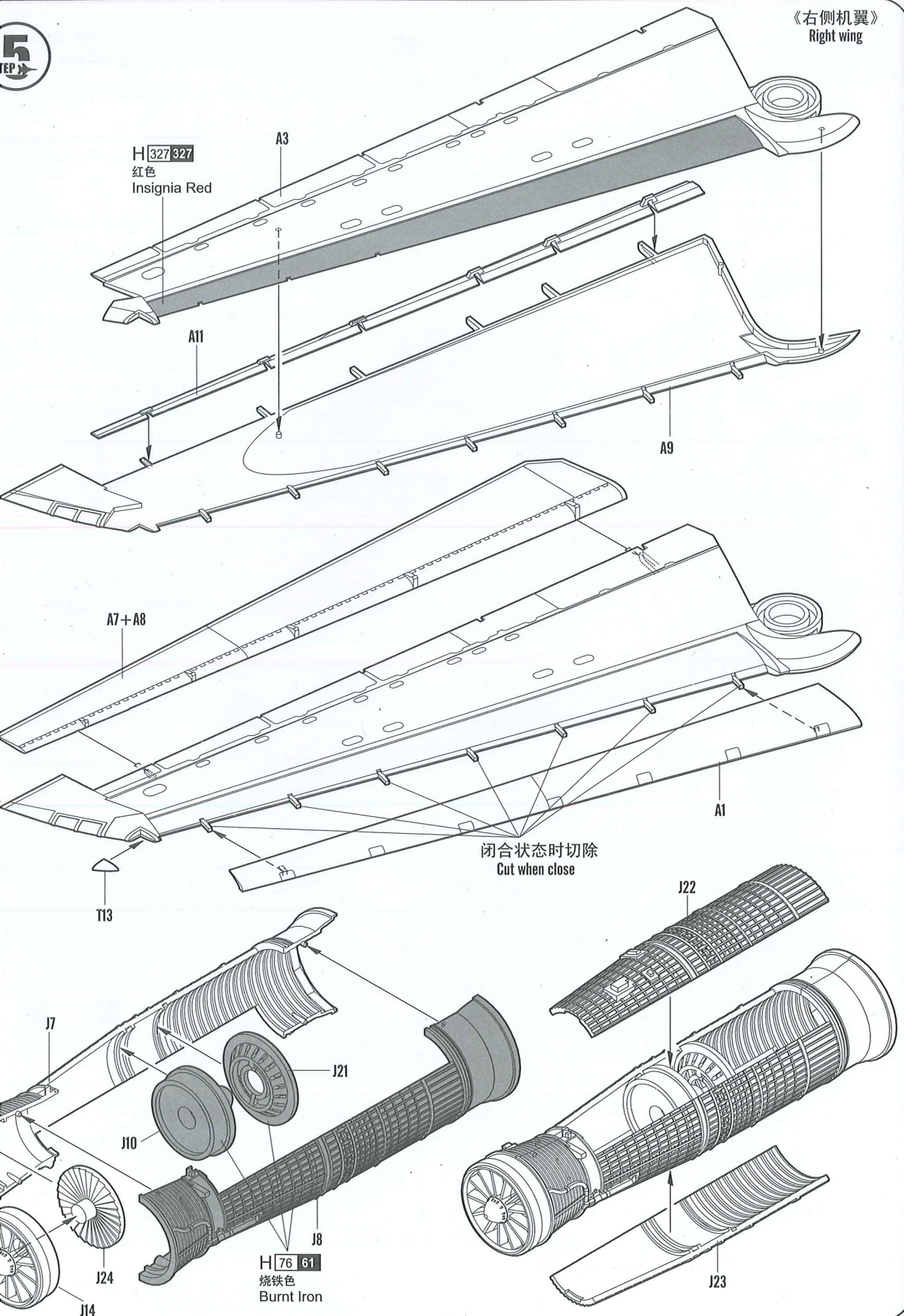
T14

《下部机身》  
Lower Fuselage



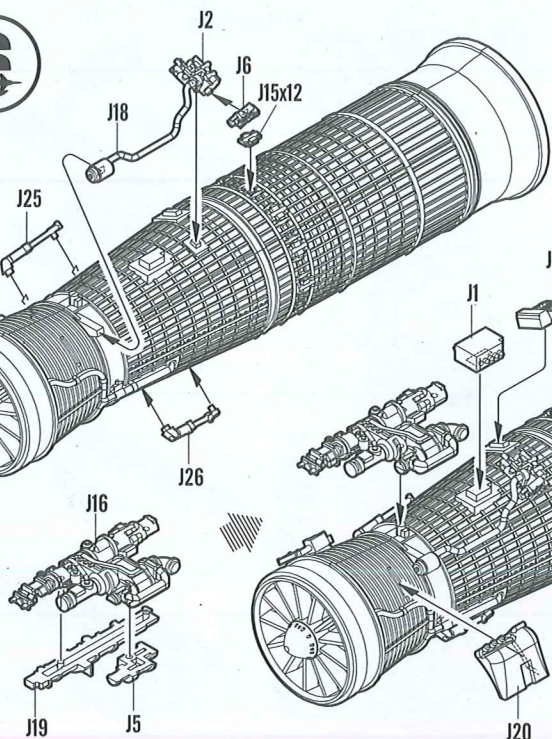
Make holes 钻孔

Option 选择

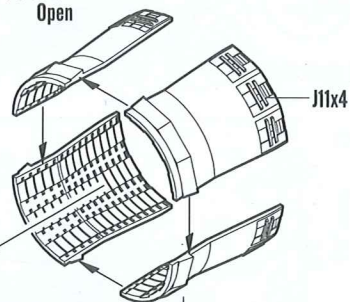




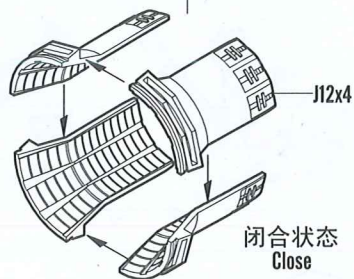
STEP 6



打开状态  
Open



Option  
选择



Make holes  
钻孔

对侧相同  
Both sides  
C5

对侧D13  
Opposite D13  
D12

对侧C19  
Opposite C19  
C3

对侧C17  
Opposite C17  
C1

对侧相同  
Both sides  
E43

C13  
对侧C14  
Opposite C14

E49  
对侧相同  
Both sides

E48  
对侧相同  
Both sides

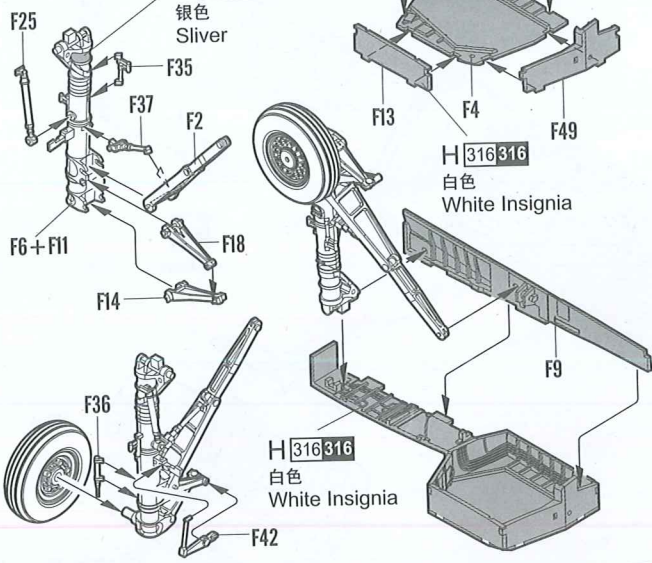
Make holes  
钻孔

E25  
对侧E26  
Opposite E26



**7**  
STEP

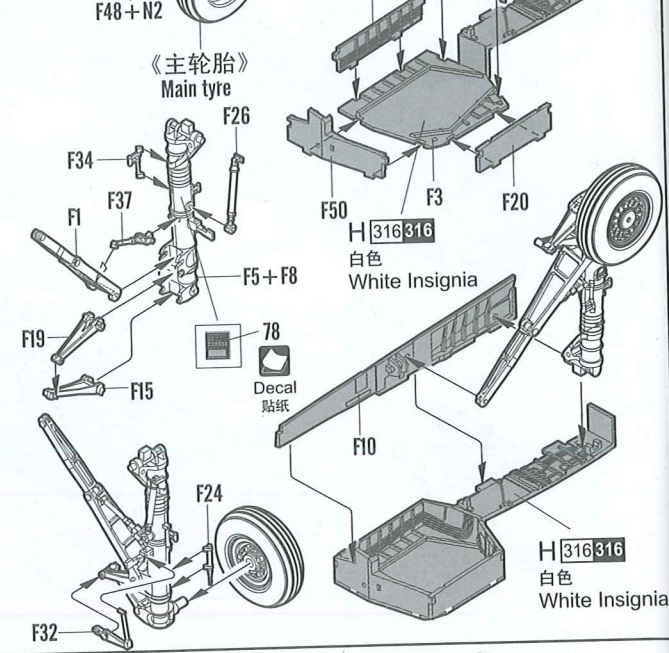
《主轮胎》  
Main tyre



《左侧轮舱》  
Left gear cabin

**8**  
STEP

《右侧轮舱》  
Right gear cabin



《主轮胎》  
Main tyre

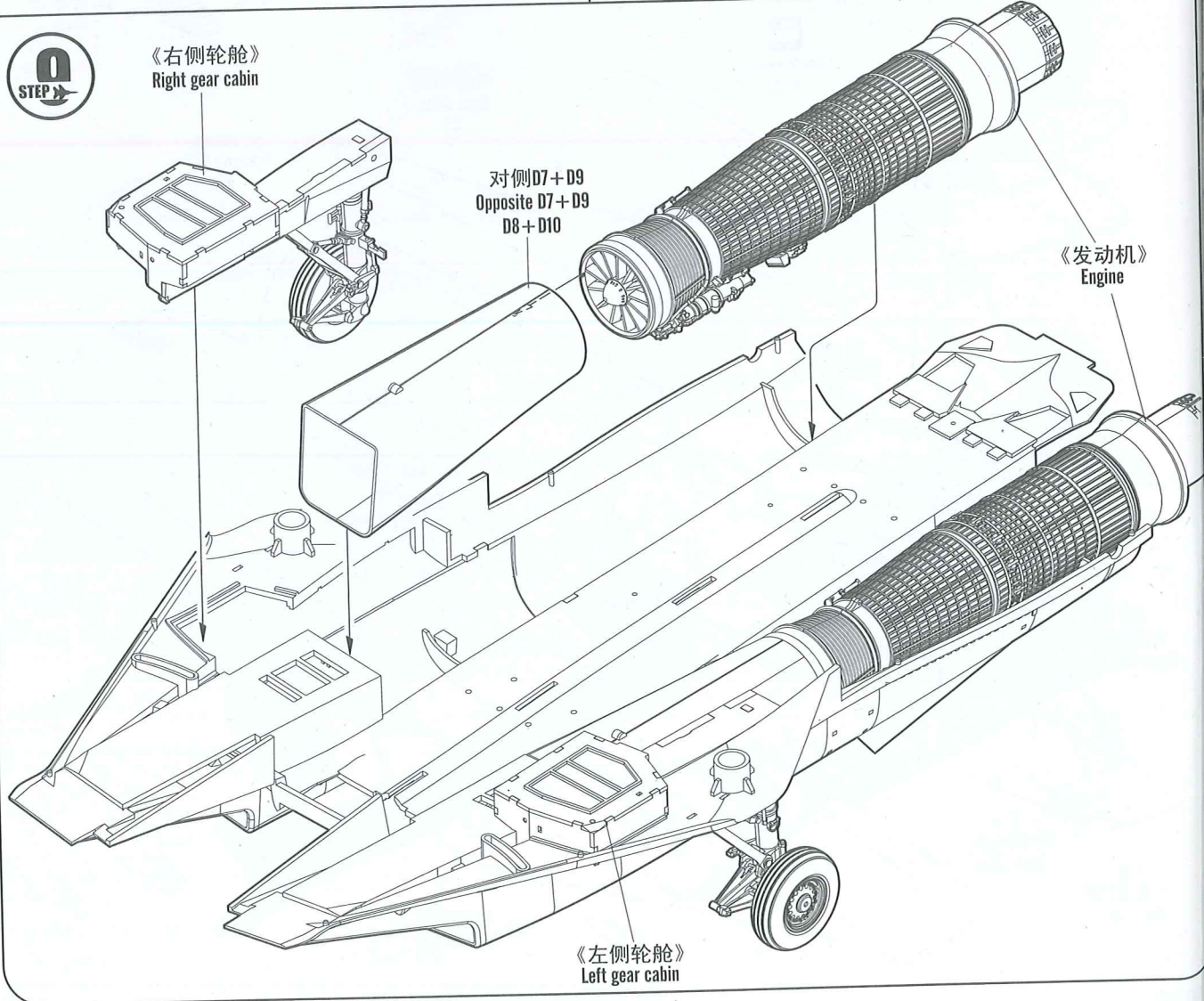
H 316316  
白色  
White Insignia

78  
Decal  
贴纸

H 316316  
白色  
White Insignia

**9**  
STEP

《右侧轮舱》  
Right gear cabin



对侧 D7+D9  
Opposite D7+D9  
D8+D10

《发动机》  
Engine

《左侧轮舱》  
Left gear cabin



对侧D11  
Opposite D11  
D14

对侧D5  
Opposite D5  
D2

C20

H 327 327  
红色  
Insignia Red

Option  
选择

对侧E12  
Opposite E12  
E15

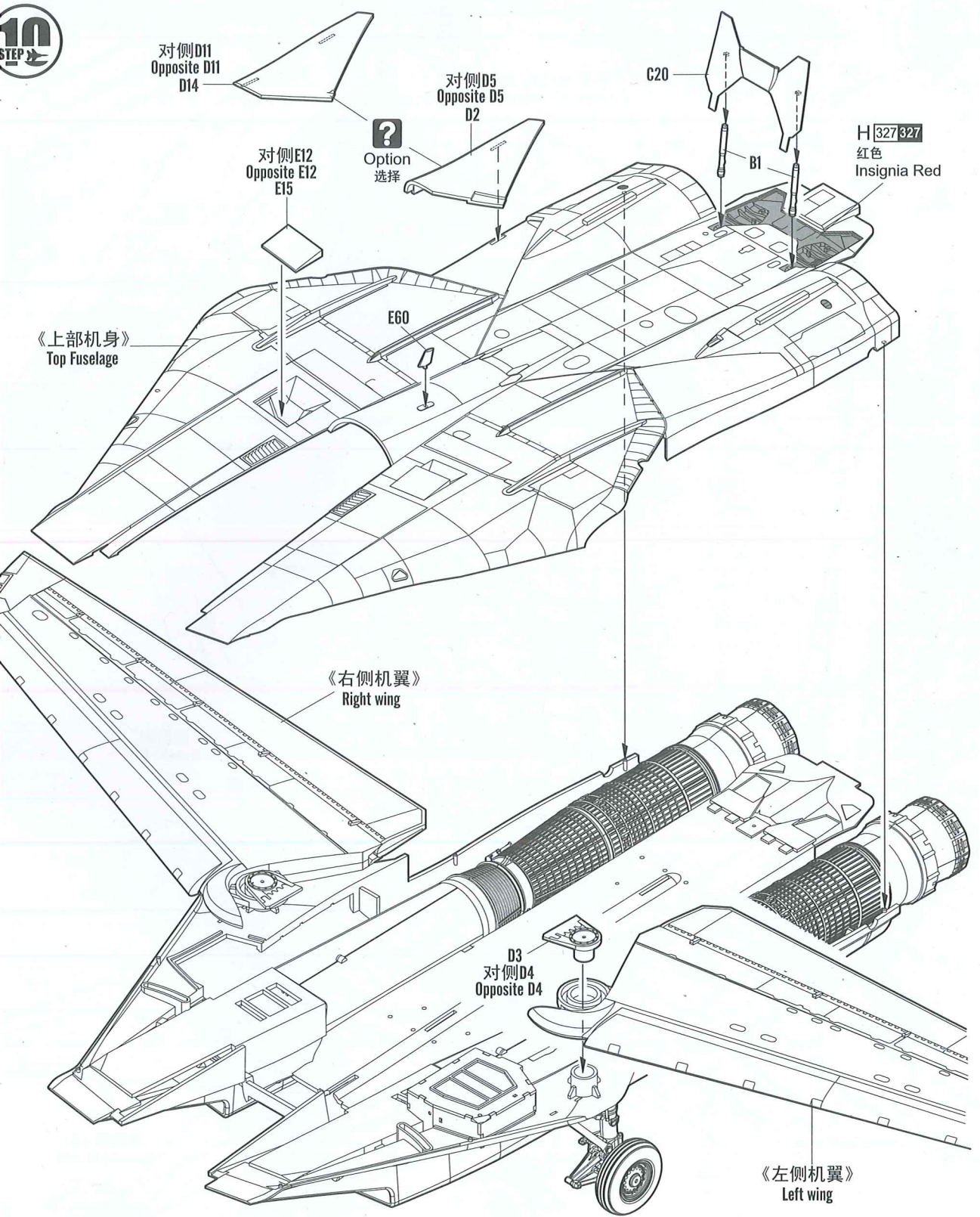
E60

《上部机身》  
Top Fuselage

《右侧机翼》  
Right wing

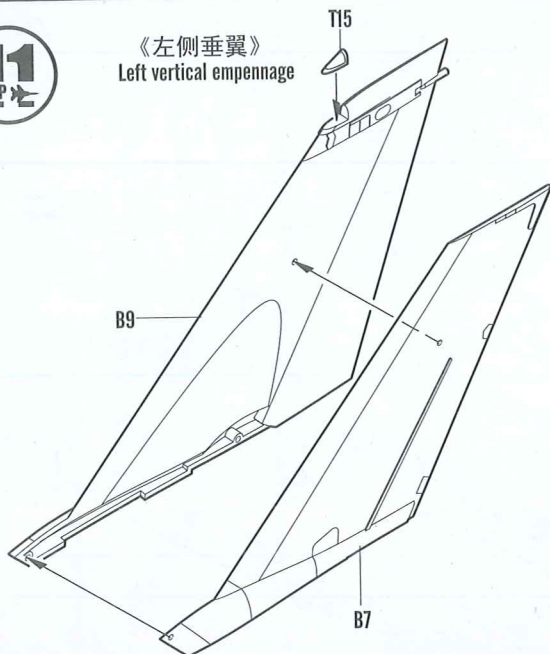
D3  
对侧D4  
Opposite D4

《左侧机翼》  
Left wing



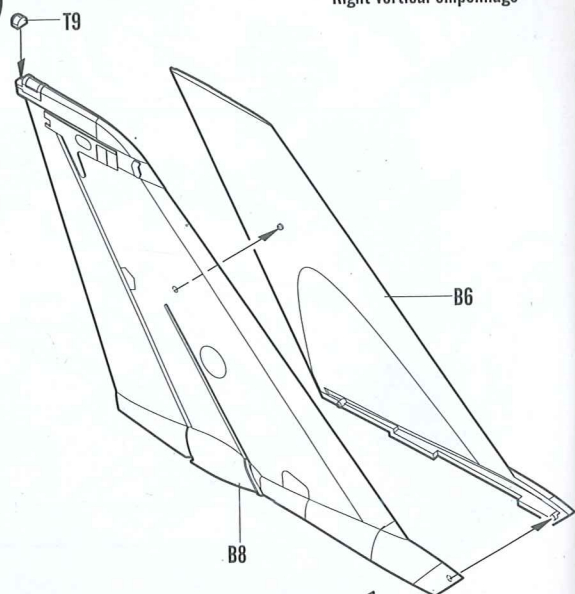
**11**  
STEP

《左侧垂翼》  
Left vertical empennage

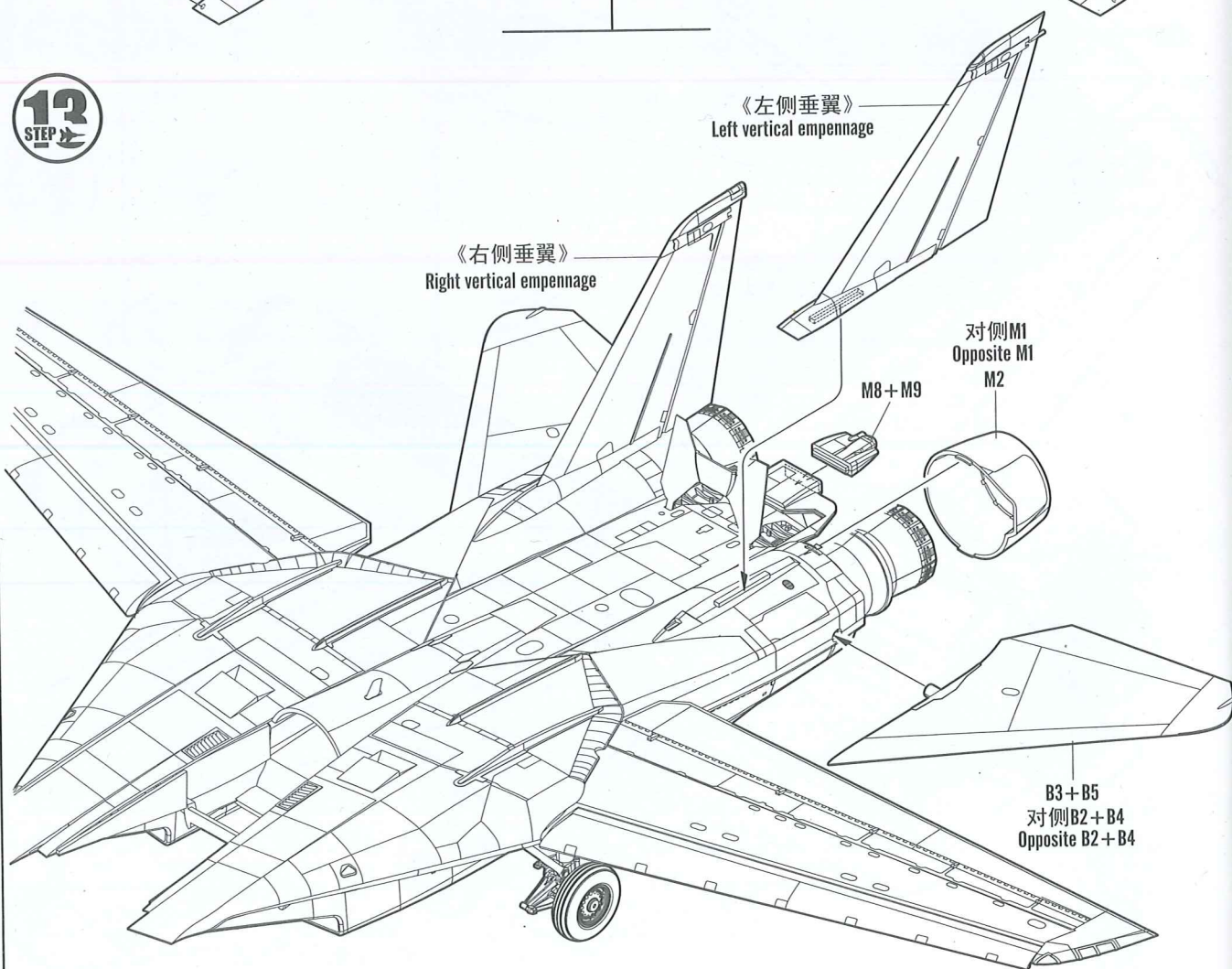


**12**  
STEP

《右侧垂翼》  
Right vertical empennage

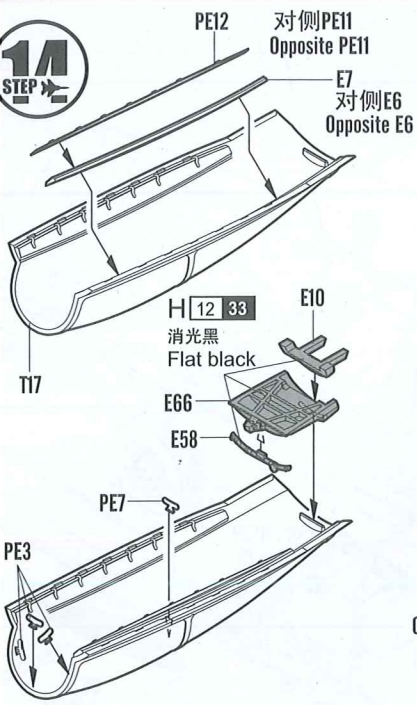


**13**  
STEP

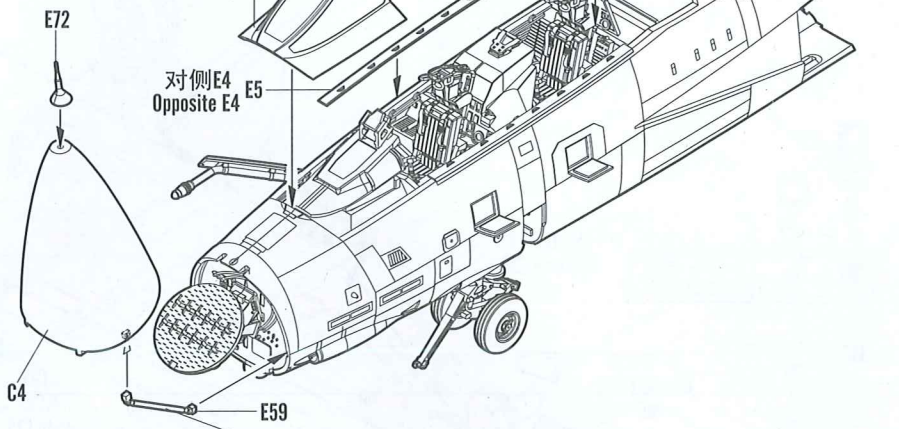




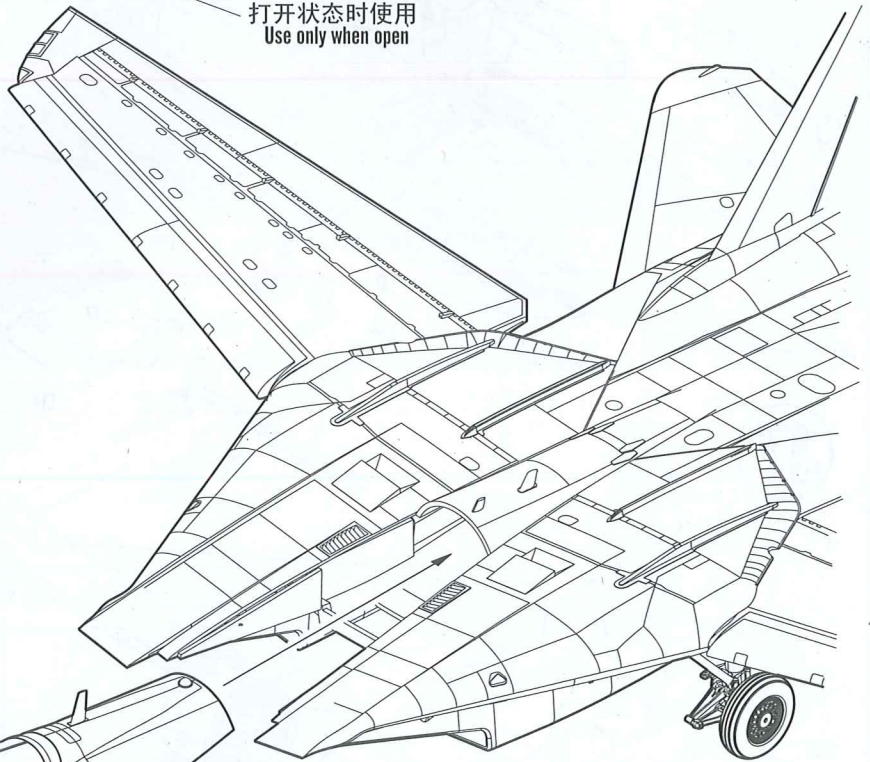
14  
STEP



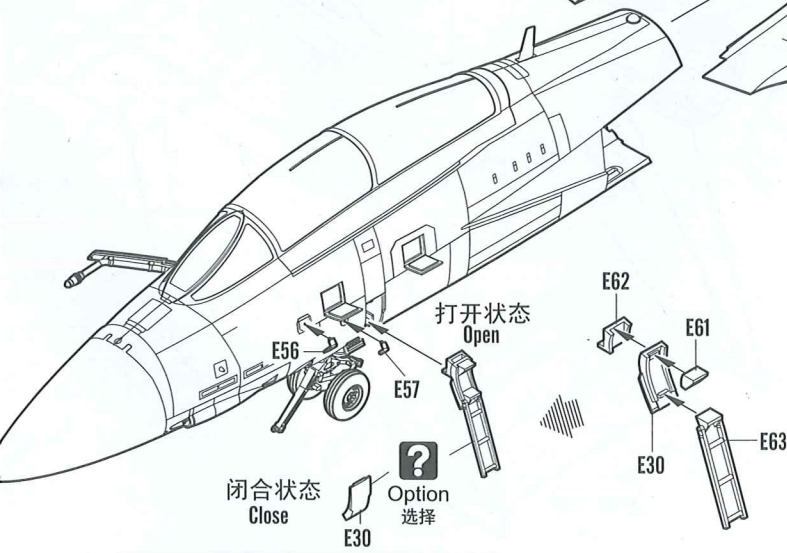
打开状态时使用  
Use only when open



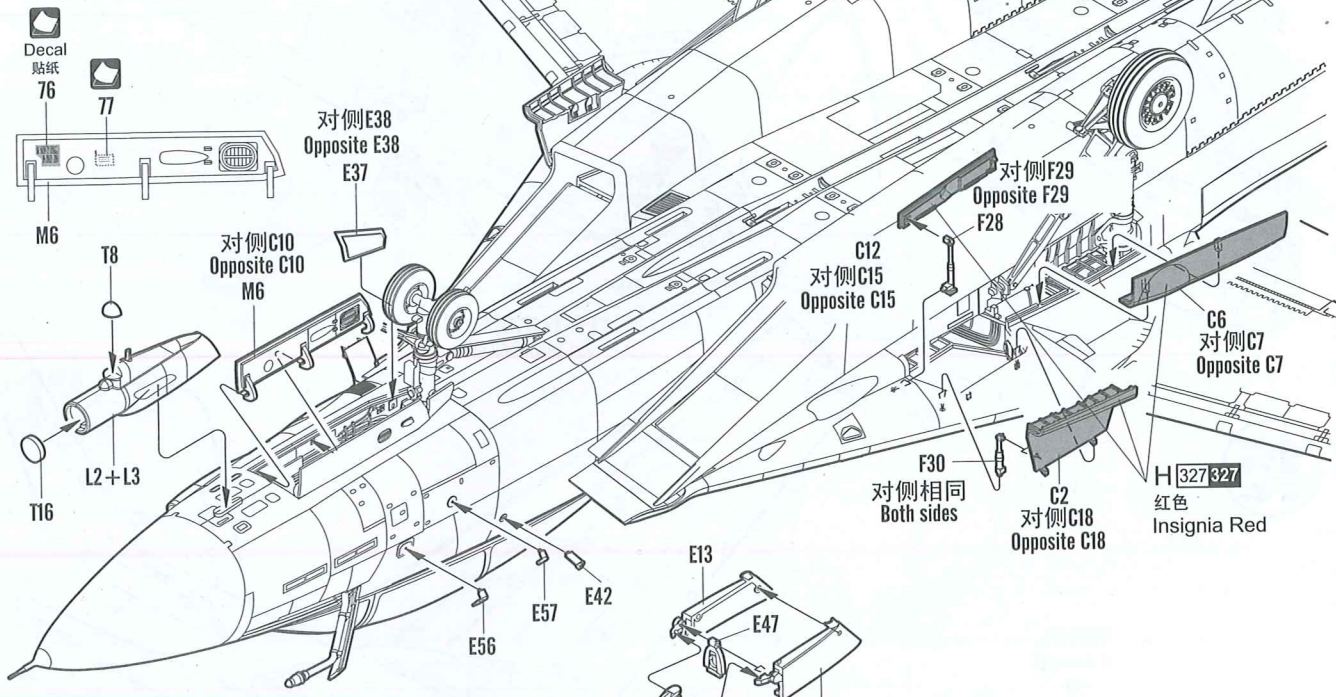
打开状态时使用  
Use only when open



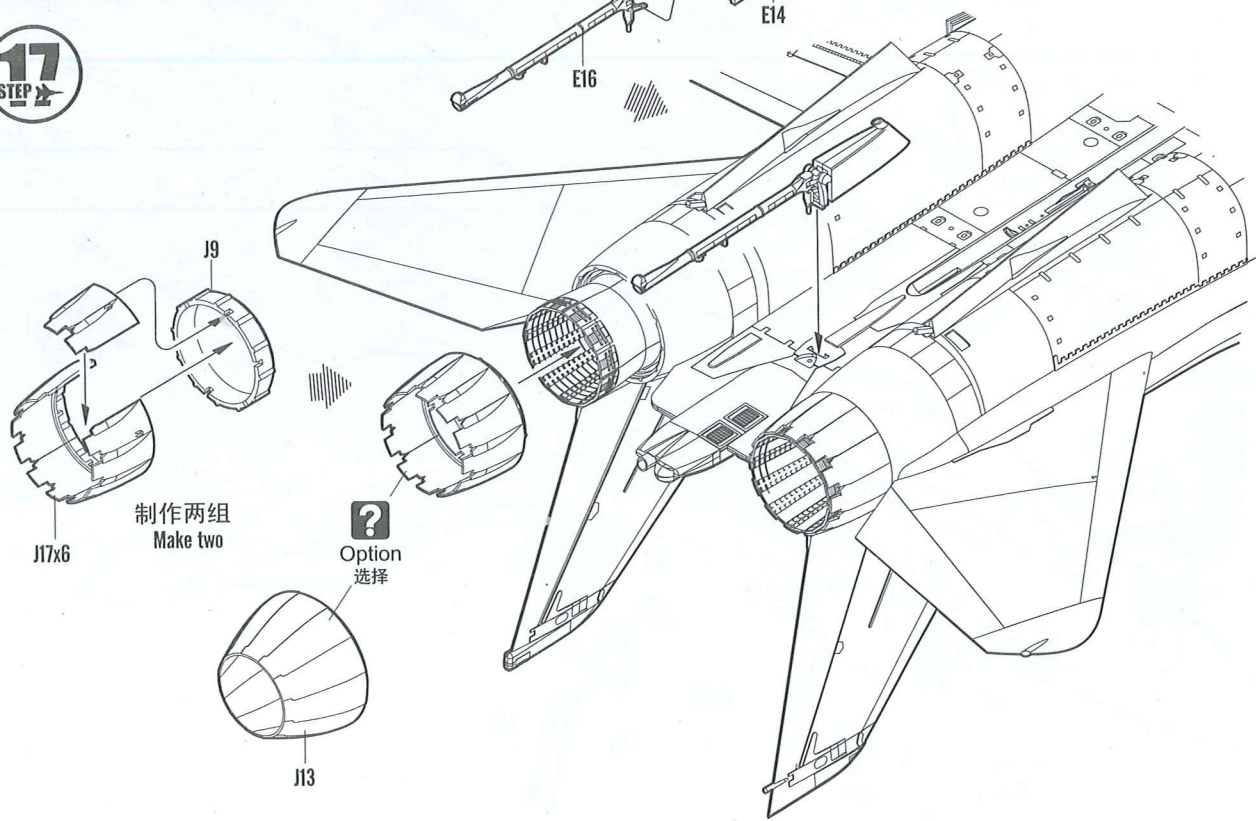
15  
STEP



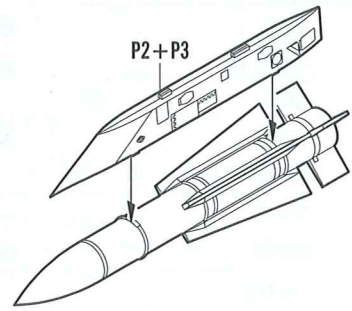
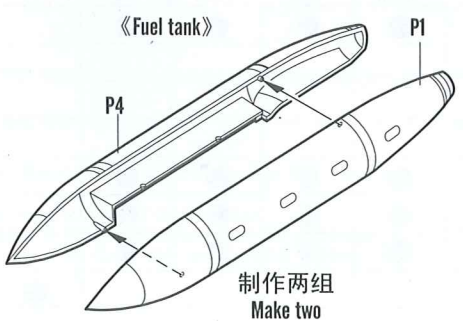
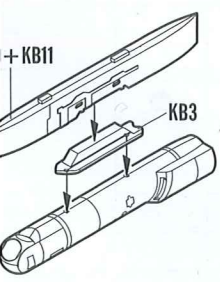
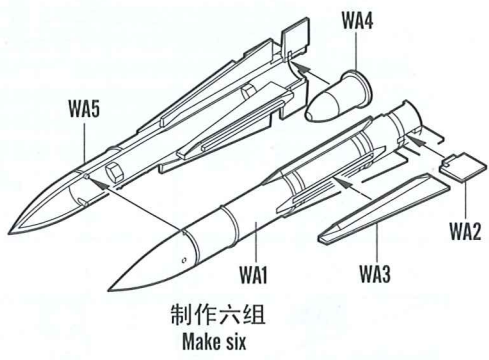
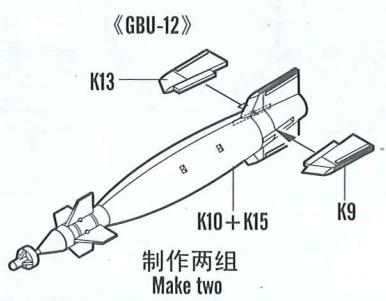
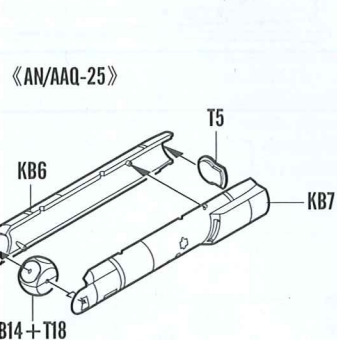
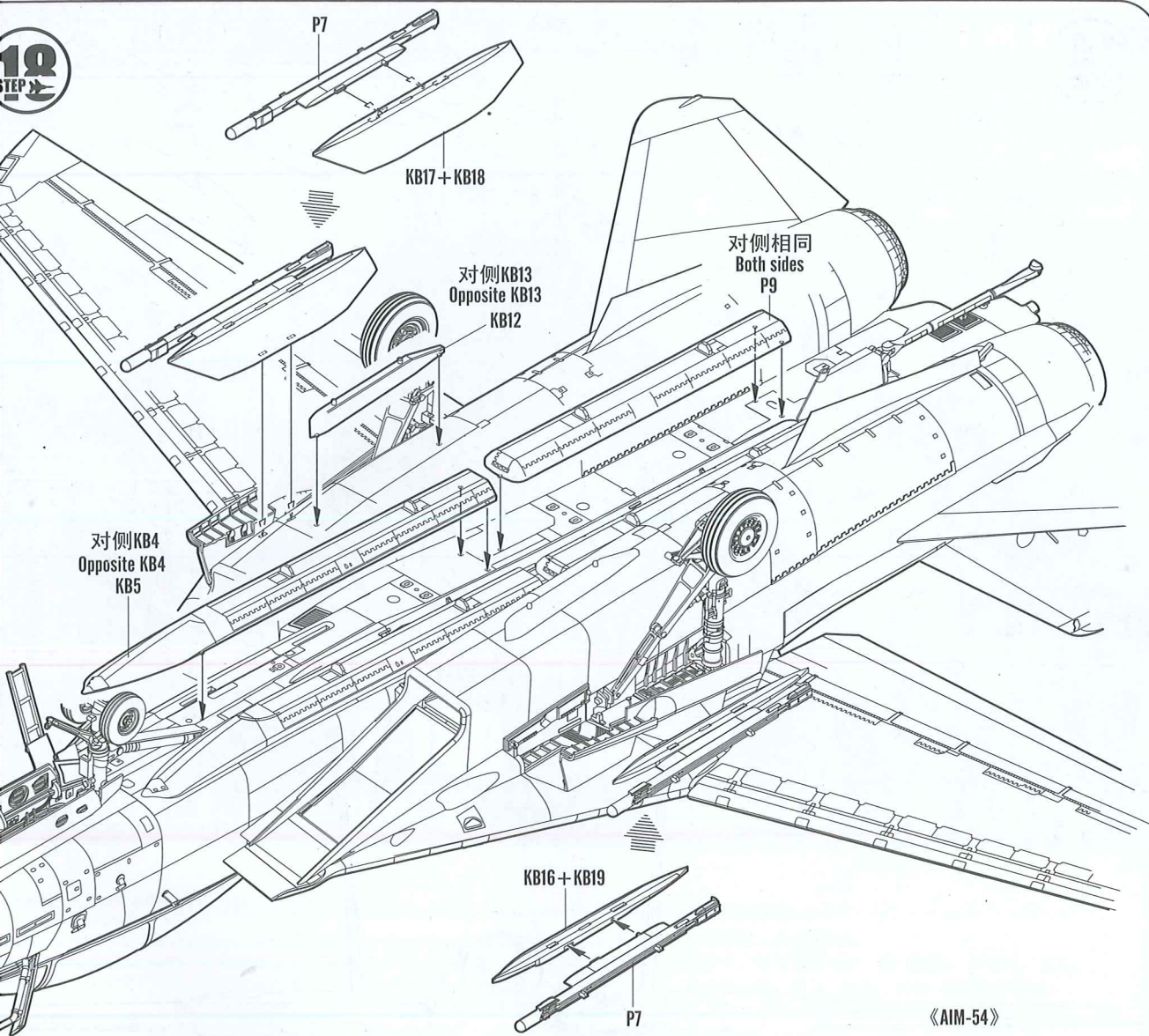
**16**  
STEP

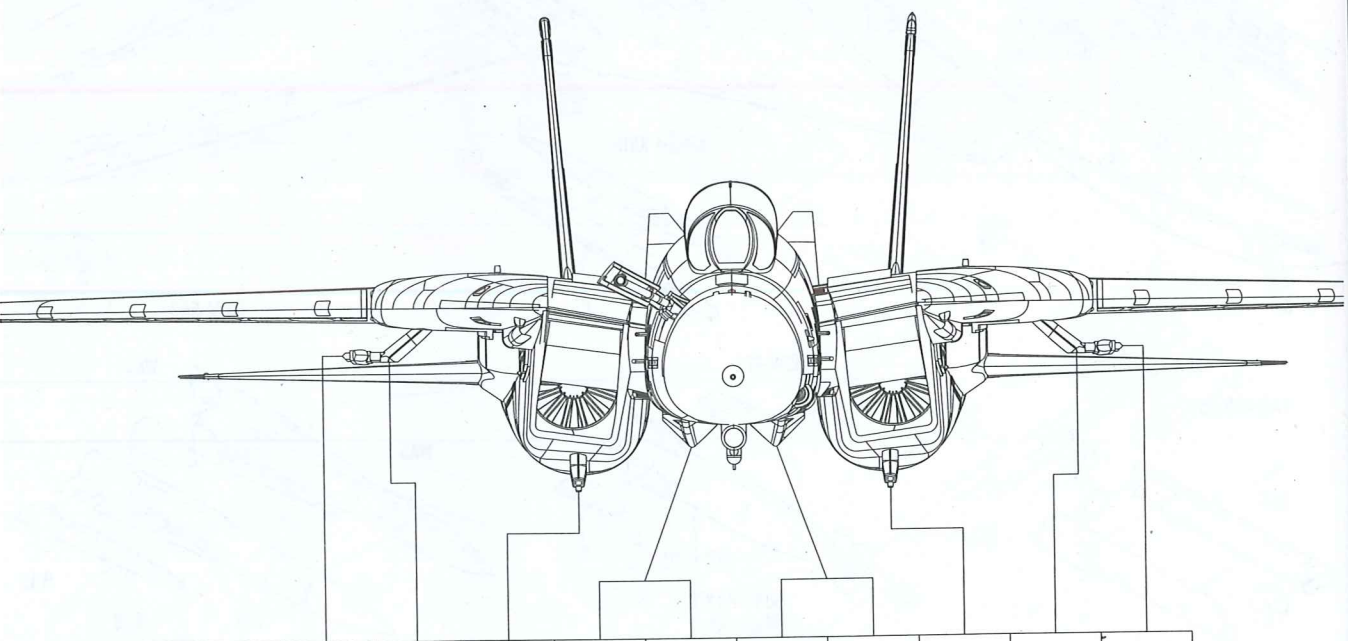
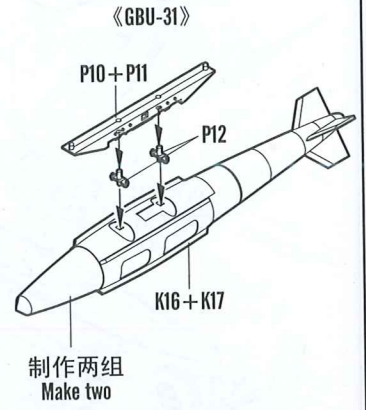
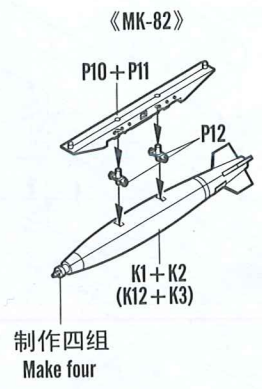
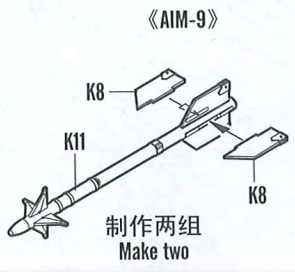
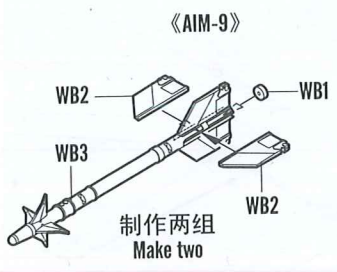
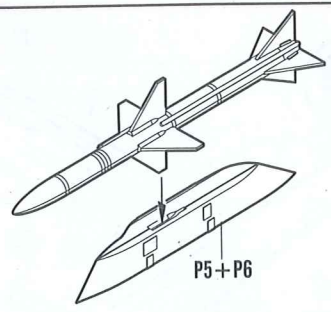
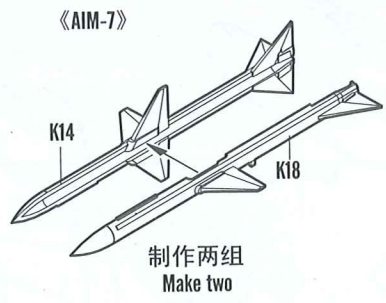
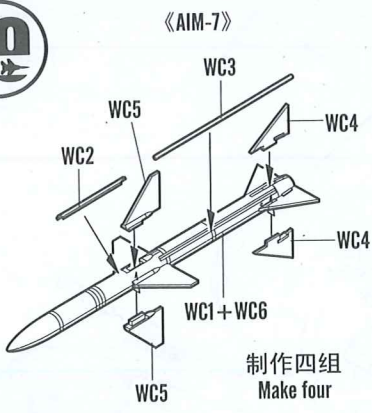


**17**  
STEP





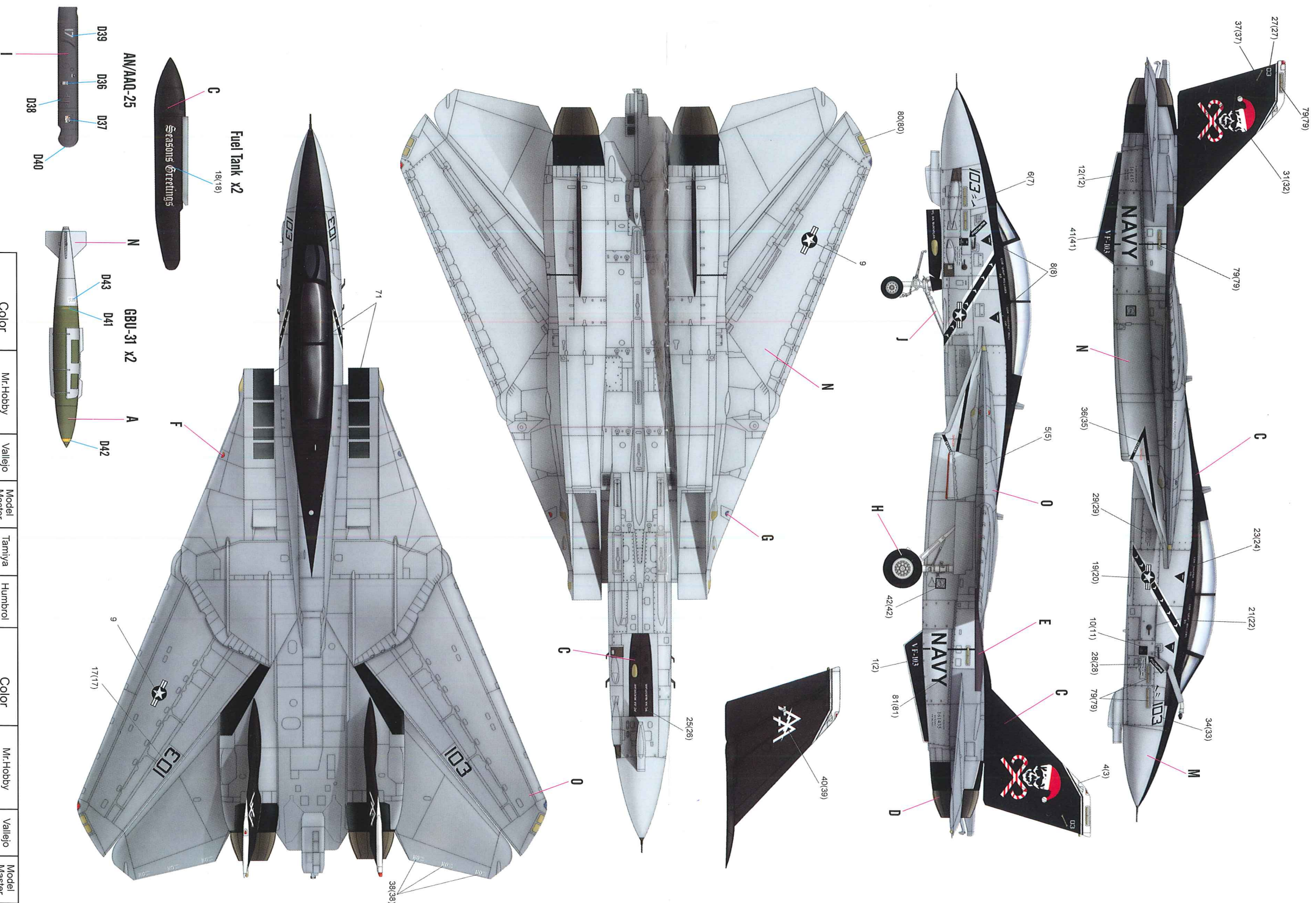




Sta.No.	1	2	3	4	5	6	7	8	9	10
Missile/Tank				Front	Mid	Front	Mid			
AIM-7		●		●	●	●	●		●	
AN/AAQ-25		●								
AIM-9	●									●
GBU-12		●							●	
MK-82				●	●	●	●			
GBU-31				●	●	●	●			
AIM-54		●		●	●	●	●		●	
Fuel tank			●					●		



I F-14B, No.161435 VF-103/USS.GEORGE WASHINGTON 2000.



Color	Mr.Hobby	Vallejo	Model Master	Tamiya	Humbröl	Color	Mr.Hobby	Vallejo	Model Master	Tamiya	Humbröl
A 浓绿 Lim Green	H 59 15	892	--	XF11	75	E 金属红色 Metallic Red	H 87 75	946	--	--	51
B 银色 Silver	H 8 8	997	1546	X11	11	F 透明红 Clear Red	H 90 47	934	--	X27	--
C 消光黑 Flat Black	H 12 33	950	1749	XF1	33	G 透明蓝 Clear Blue	H 93 50	938	--	X23	--
D 烧铁色 Burnt Iron	H 76 61	853	1795	X10	53	H 胎黑色 Tire Black	H 77 37	--	--	--	--

NO.:80367

\*Some paints may not be available in your country. Please check your local hobby shop for substitute



