

ANBO - III 2nd series

RSSH - 72008

HOBBS
Scale Scratchbuilt Hobby

ANBO-III was the third aircraft of the Lithuanian aircraft designer **Antanas Gustaitis**.

ANBO-III - was a parasol type two-seater monoplane of mixed construction, designed for the advanced training of pilots.

In 1930-1931 two series (first series – No. 39, 40, 41, 42 and second series – No.44, 45, 47, 48) were built and were actively operated until the Soviet occupation in 1940. At first the airplanes of 2nd series (No 44, 45, 47 and 48) had 9-cylinder 145hp Walter Mars engines. Late these aircrafts were equipped with more reliable 5-cylinder 150hp A.S. Mongoose engines. Also, the planes of the 2nd series were 0.5m longer than the first ones.

At the beginning, ANBO-III was also used for reconnaissance purposes.

Crew: two

Length: 7.5 m

Wingspan: 10.55 m

Wing area: 18.2 m²

Empty weight: 556 kg

Gross weight: 856 kg

Power plant: 1 × Walter Mars I, 108 kW (145 hp)

Maximum speed: 185 km/h

More information can be found in www.plienosparnai.lt

Thanks for your interest in this model.

rss.hobbis@gmail.com



Painting:

Fuselage - brown

Wings, tailplane, fin, rudder - silver

Engine cowling, landing gear struts, aft part of fuselage - brushed duraluminum

Decals:

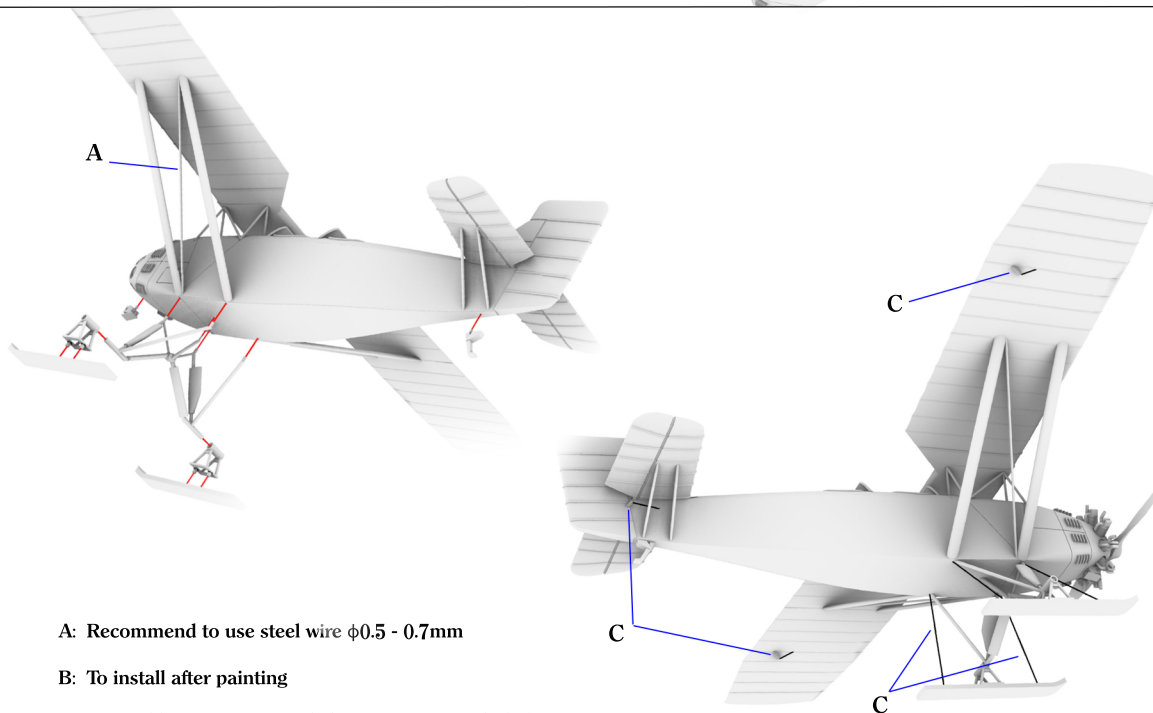
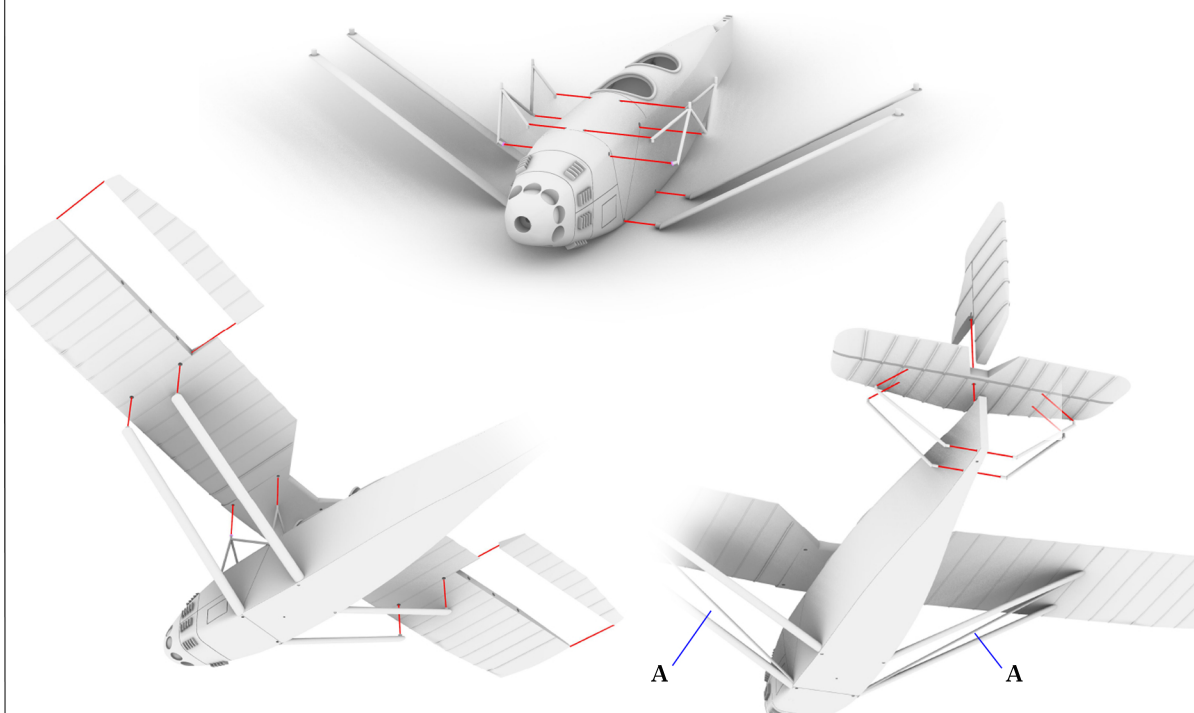
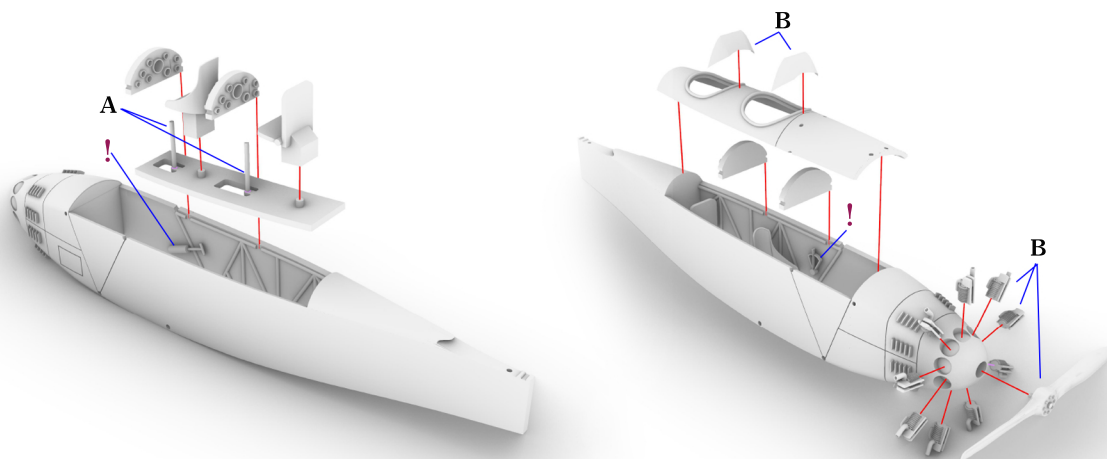
White images + complete drying + black images



ANBO - III 2nd series

RSSH - 72008

HOBBS
Scale Scratchbuilt Hobby



A: Recommend to use steel wire $\phi 0.5 - 0.7\text{mm}$

B: To install after painting

C: Control horns, rigging and skis strings not included