

1/72 ZERO FIGHTER

JAPAN AIR FORCE FIGHTER



Zero fighter, called Jick, Hamp, or Zero, was the main fighters in World WAR II. It was designed by Horigoshi who had worked in Germany. It's first going out to raid to china was August 1940 after completion of experimental flying April 1940. It destroyed many chinese fighter in attack to China. Zero fighters were more excellent than any other fighters (American English, New Zealand, Dutch fighters) after Pearl Harbor Raid.

But U.S air forces developed P-40 fighter. P-40 rivals with Zero.

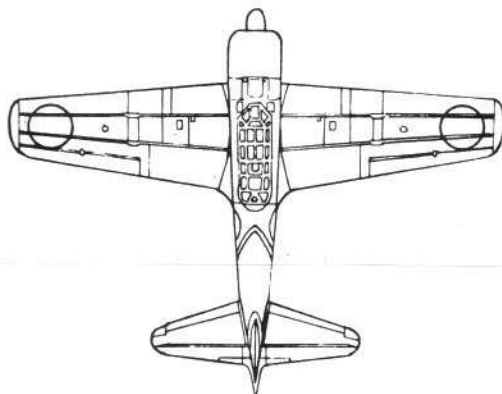
Zero were one of the most excellent fighters in the world (English Spit fire, German Messerschmitt).

Zero's Pilot, Nishi Hajawa sub officer, shot 102 enemy's fighters down.

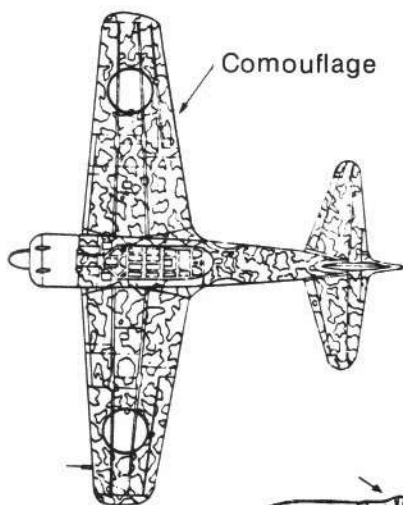


<DATA>

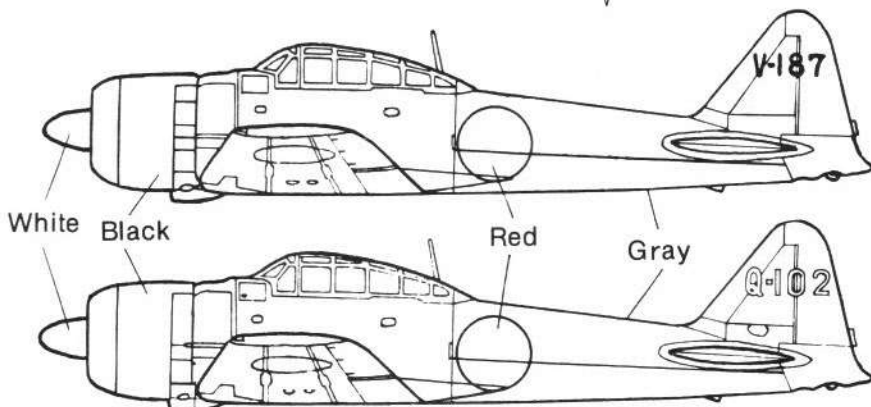
Wing length : 36ft 1inch
Fuselage length : 29ft 9inch
Height : 9ft 2inch
Engine : 1120HP max 1210HP
Nakajima NK1P 14
Speed : 355M.P.H. 19680ft



DECAL MARK & PAINTING



Comouflage

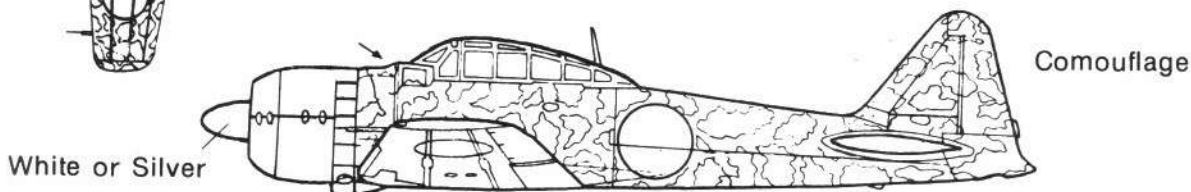


White Black

Red

Gray

Captured Nippon's fighter



Comouflage

White or Silver

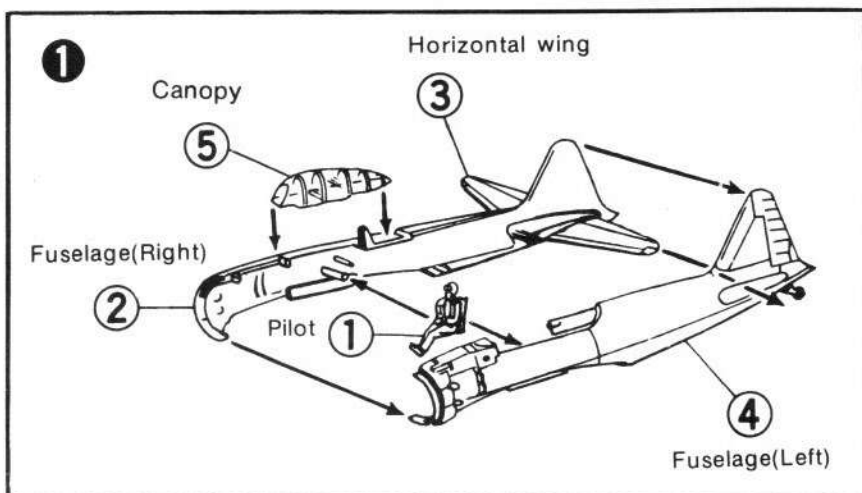
A6 M5 ZERO(TYPE-52)

JERO

1/72 SCALE · MITSUBISHI

① Body Assembly

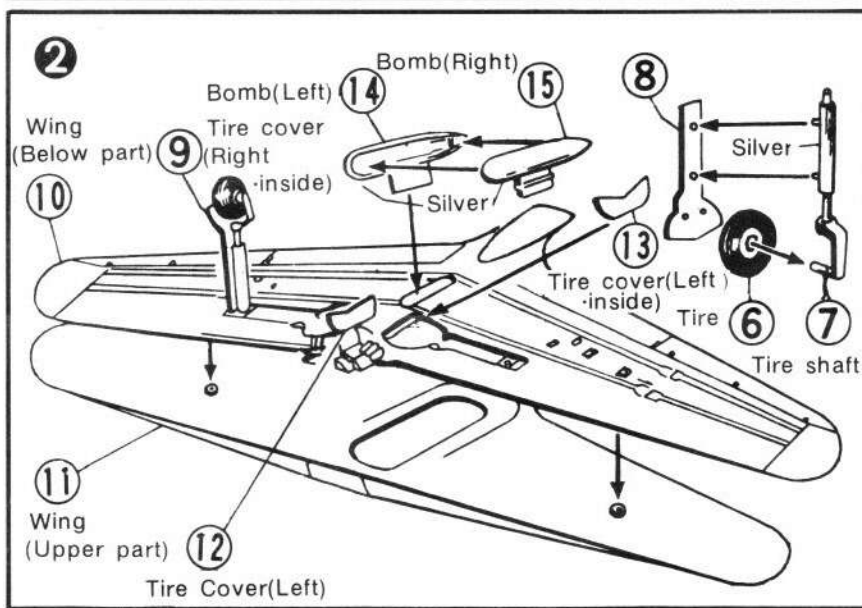
Paint before your assembling, and assemble. Cement ① with ② and insert ③ to ② and cement them. Cement ④ with ② and ③. Cement canopy(⑤), and then the body will be complete.



② Wing and tire assembly

If you want to make the model's tires be lifted up, do not assemble tires and make the tire covers be cemented in closed state.

If you want to make the model's tire be set down, insert ⑥ to ⑦ and cement ⑦'s pin to ⑧. Cement ⑩ with ⑪, and ⑫ with ⑬. Cement ⑭ with ⑮ and then cement them to the groove. Cement assembled tire's shaft to the wings



③ Propeller's assembly.

Cement wing to the body and insert ⑬ to ⑭. Cement ⑮ to the end of ⑬. Cement propeller to the body after model is complete, attach decals.

