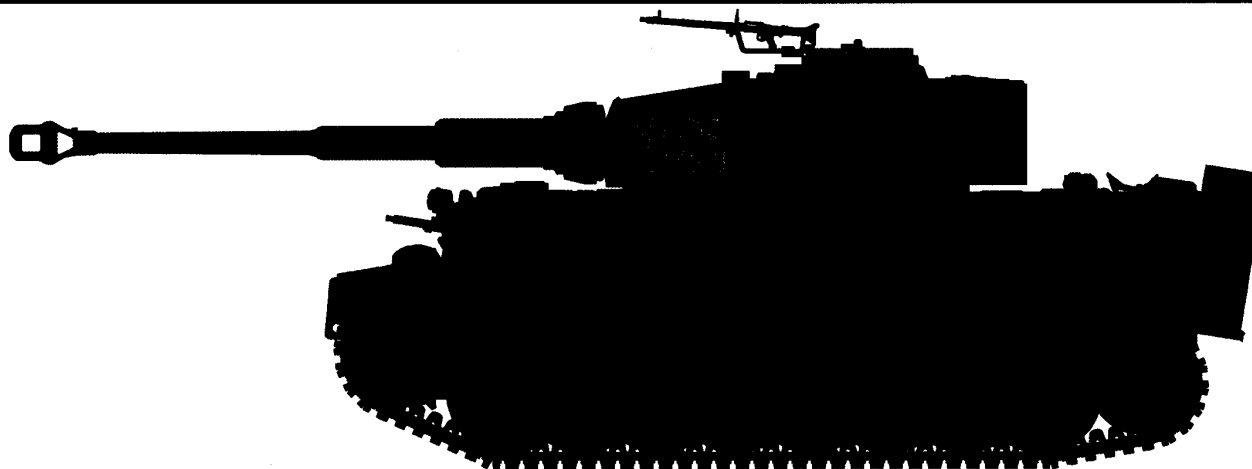


1:16 Scale

ITEM No.:82601



Pz.Kpfw. VI Tiger I

タイガー I (中期型)

德国“虎”I 重型坦克

PLEASE READ BEFORE OPERATION!

- * Tools recommended as below: (Not included)
Adhesives; Paints; Side Cutters; Sharp Edged Pliers; Modeling Knife; Modeling File; Nippers; Drill; Scissors; Sand Paper; Soft Cloth; Cyanoacrylate Glue.
- * Make sure to read this instruction listed below before assembling.
- * The kit contains the small parts, they can be dangerous if swallowed by mistake, so keep them away from reach of children.
- * Cut the all parts off carefully and remove the waste parts into the garbage can.
- * More caution and care should be needed for cutting and handling the photo etched parts.
- * Make attention that some parts should be attached the decal when assembled.
- * During assembling, please tear up and throw away the plastic bags, or may cause the dangerous if wearing over head by children's mistake.
- * When using the adhesives and paints, please do not use them in the closed room or near the fire, also must be very careful to protect your eyes, face and clothes.
- * Adult supervised when assembled by children under 14 years old.

装配前请仔细阅读:

- * 推荐使用的模型工具(请自备):
专用模型胶水, 专用模型油漆, 水口剪刀, 长咀钳, 刀片, 锉刀, 镊子钳, 钻, 剪刀, 软布, 砂纸, 瞬间快干胶等。
- * 用水口剪刀或刀片小心切下所有塑胶零件和蚀刻片零件, 不要遗失小零件。
- * 切取蚀刻片时应特别注意防止利边划伤手指。
- * 用模型锉刀小心锉平所有零件表面的注射浇口。
- * 用适量的强力快干胶水粘合蚀刻片零件和金属轴, 切忌过量, 否则可能导致可动零件被粘住。
- * 注意某些零件表面需在装配时同步贴上水贴纸。
- * 制作时应远离幼儿并将包装袋及时收妥, 谨防小孩玩耍而引起意外。

The method to apply the decals

1. Cut off the decal from the decal paper and put it into the warm water 40°C for 10 seconds.
2. Take the decal from the water and put it on a piece of clean cloth.
3. Remove the decal slowly from the paper to the targeted location by a wet finger.
4. Use a piece of dry and soft cloth to press it gently on the decal until it getting dry and no bubble existing.

水贴纸的使用方法:

- 一. 把相关的印花从水贴上剪下, 放入40°C左右的温水中浸10秒。
- 二. 然后将印花放在干净的布上。
- 三. 拿上印花纸板, 手指蘸水将印花移到适当的位置。
- 四. 用软干布轻压印花直至水干, 气泡消失。



cyanoacrylate glue
强力胶



weight
配重



make hole
钻孔



cut / remove
切除



option
选择



no cement
不涂胶水



decal
贴纸



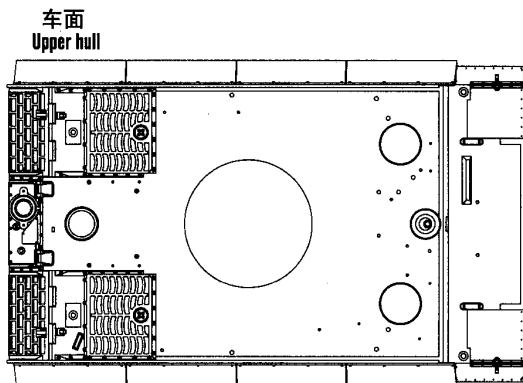
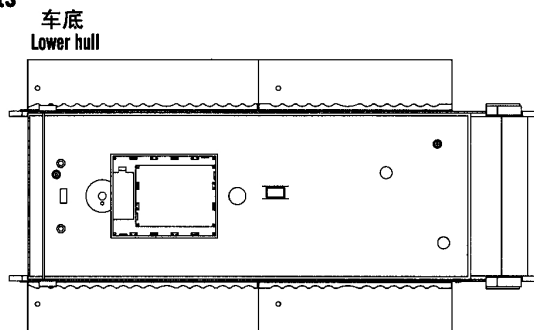
bend
弯曲



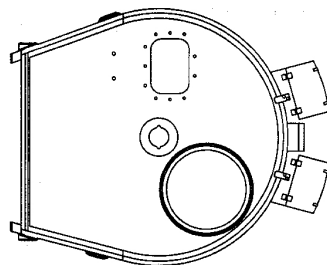
repair
填补

部品图:

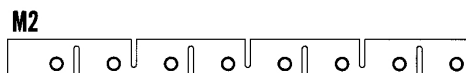
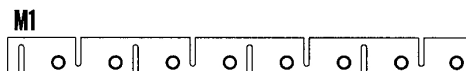
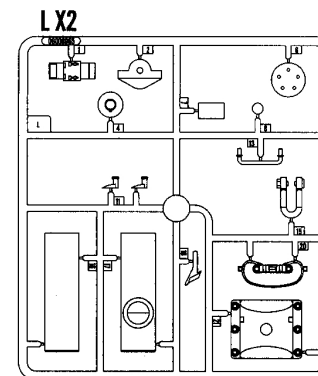
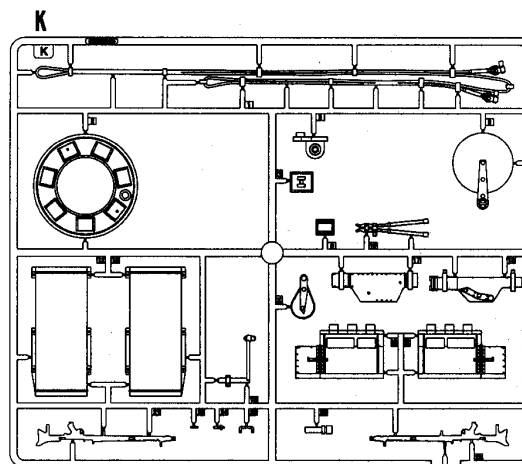
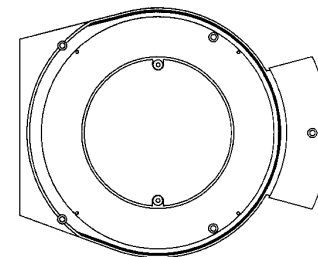
Parts



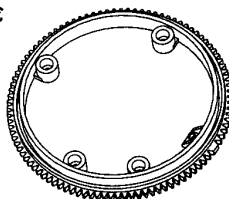
炮塔面
Top Turret



炮塔底
Bottom Turret



大齿轮
Big gear



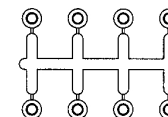
小齿轮 X2
Small gear



固定件
Fixing

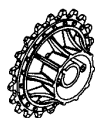


主动轮轴承 X4
Sprocket wheel barrel bearing



负重轮轴承 X2
Road wheel barrel bearing

主动轮外侧 X2
Outside sprocket wheel



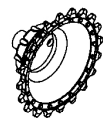
诱导轮外侧 X2
Outside idler wheel



诱导轮内侧 X2
Inside idler wheel



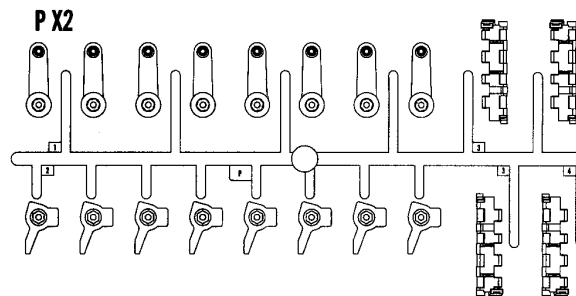
主动轮内侧 X2
Inside sprocket wheel

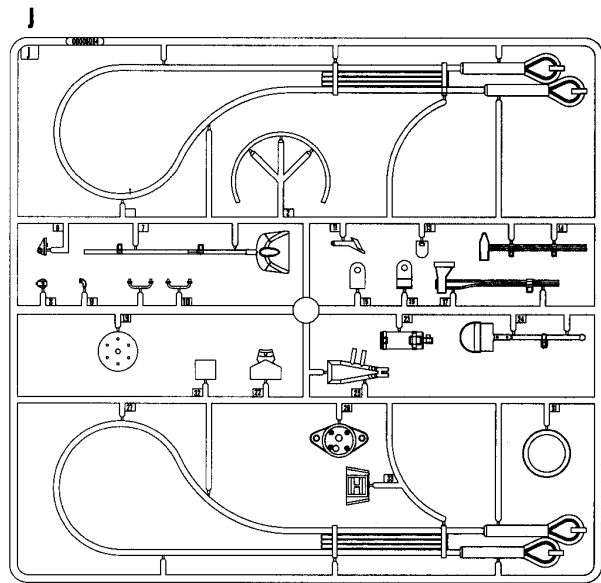
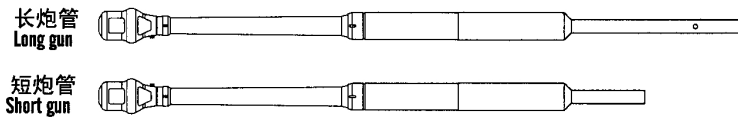
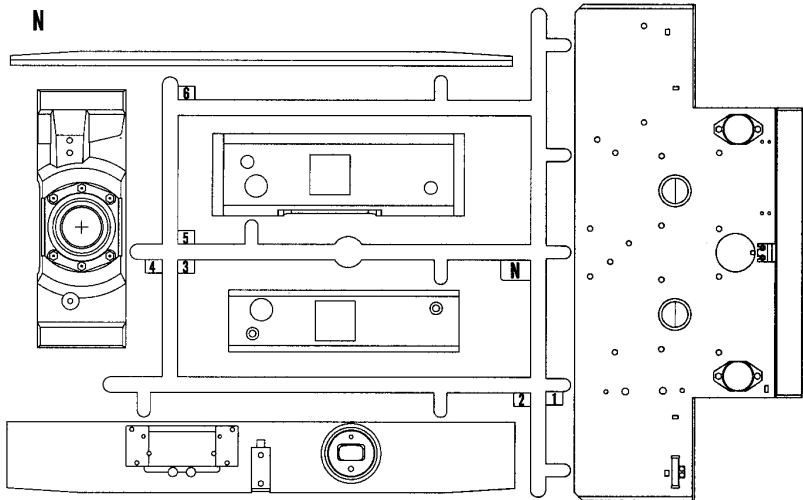


左装置件
Left fixation



右装置件
Right fixation





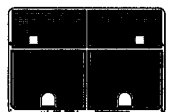
履带 X192
Track

履带轴 $\varnothing 1.4 \times 43.8$
Track shaft



蚀刻片
PE

X192

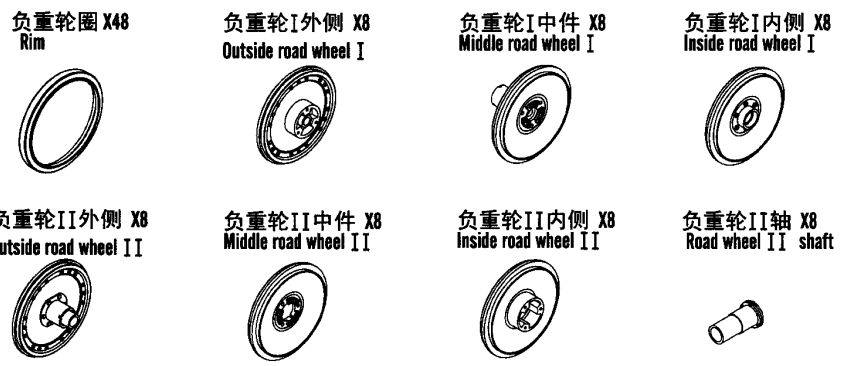


水贴
Decal

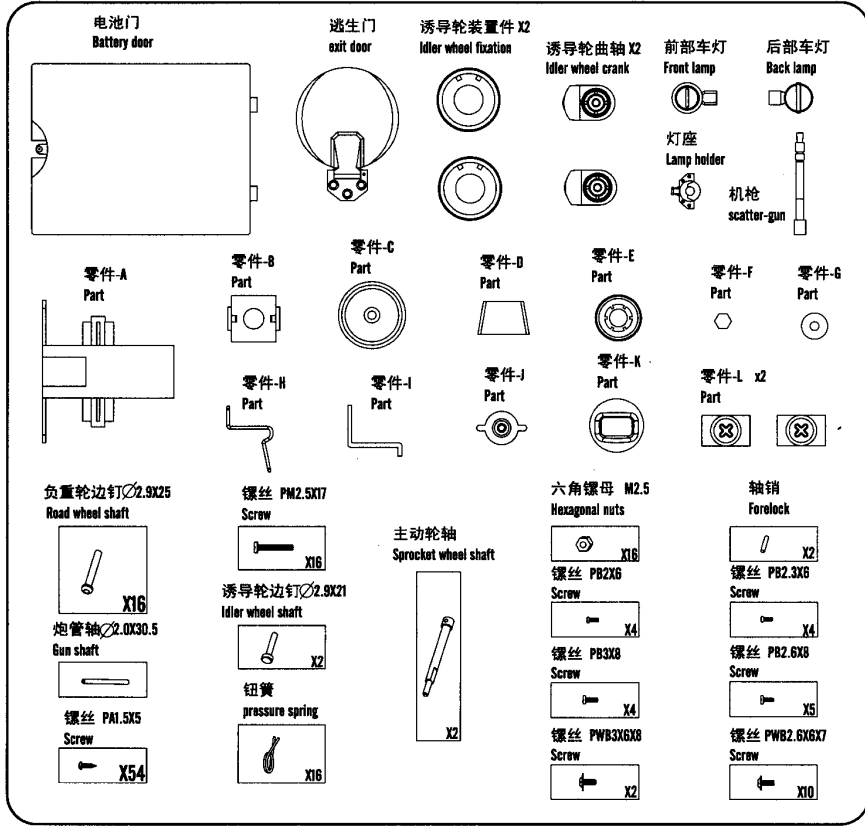


防磁装甲工具
Tools for Zimmerit Coat

防磁制作参阅P24页。
please refer to page 24 for assembly Zimmerit Coat.

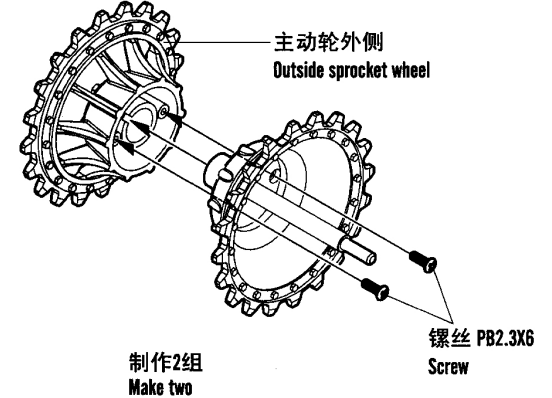
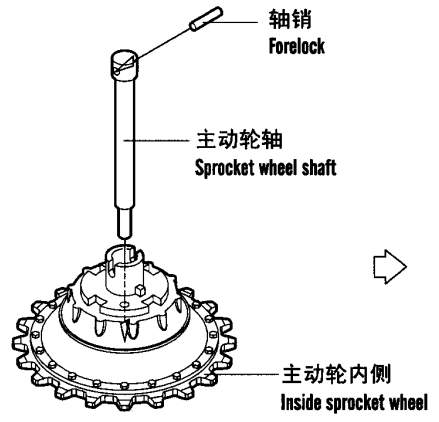
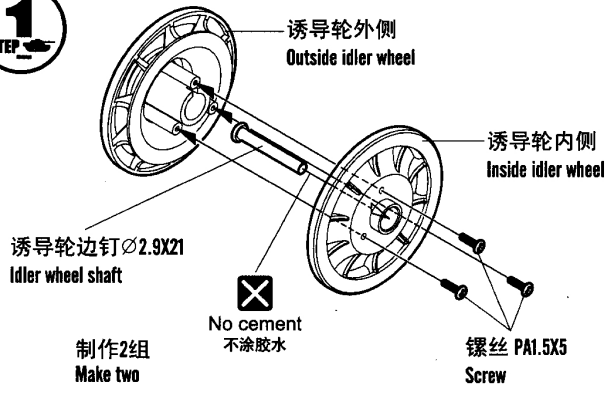


透明盒件
Lucency box parts

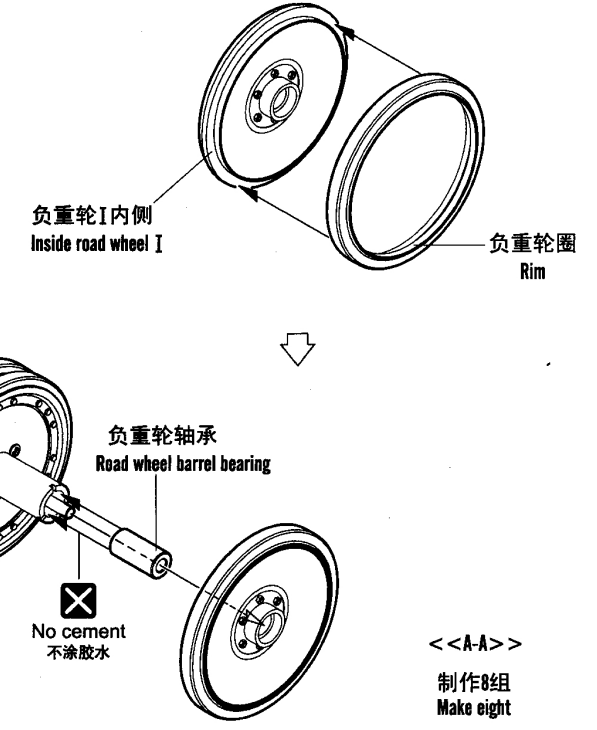
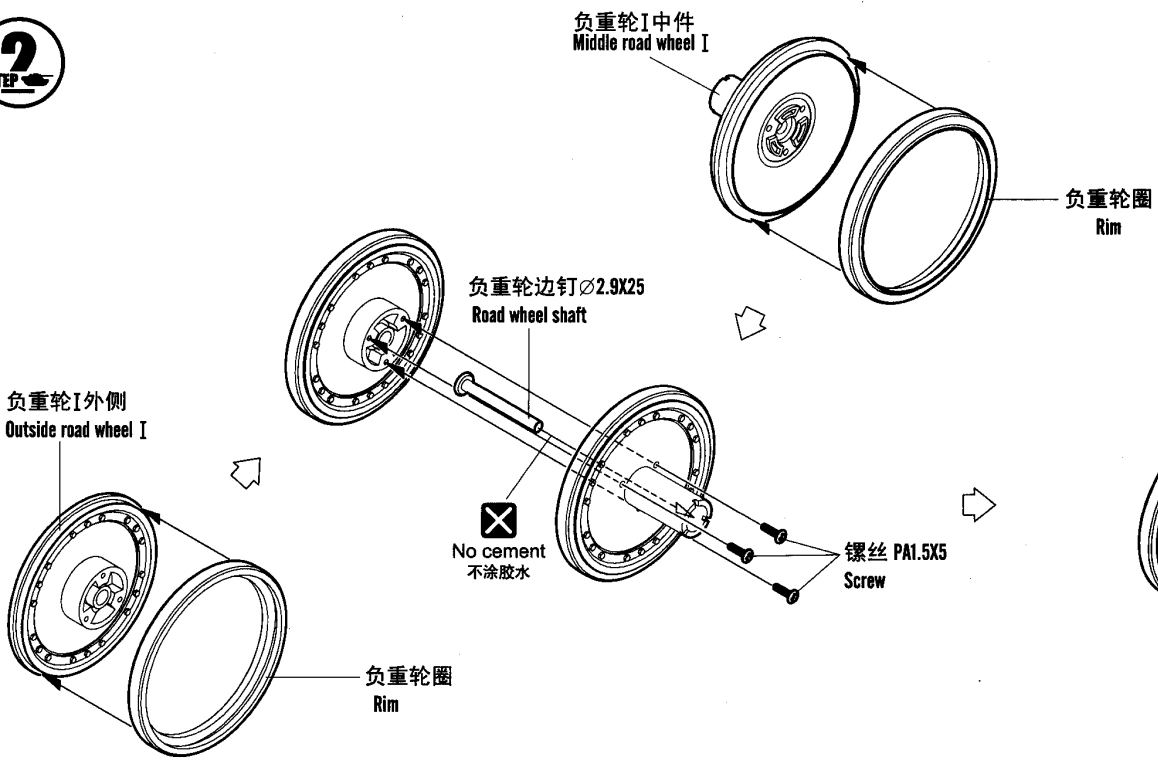


OK

1
STEP



2
STEP



OK

3
STEP

负重轮II内侧
Inside road wheel II

负重轮II外侧
Outside road wheel II

负重轮圈
Rim

负重轮圈
Rim

螺丝 PA1.5X5
Screw

负重轮轴承
Road wheel barrel bearing

⊗
No cement
不涂胶水

⊗
No cement
不涂胶水

负重轮II中件
Middle road wheel II

负重轮II轴
Road wheel II shaft

负重轮边钉 $\varnothing 2.9 \times 25$
Road wheel shaft

负重轮圈
Rim

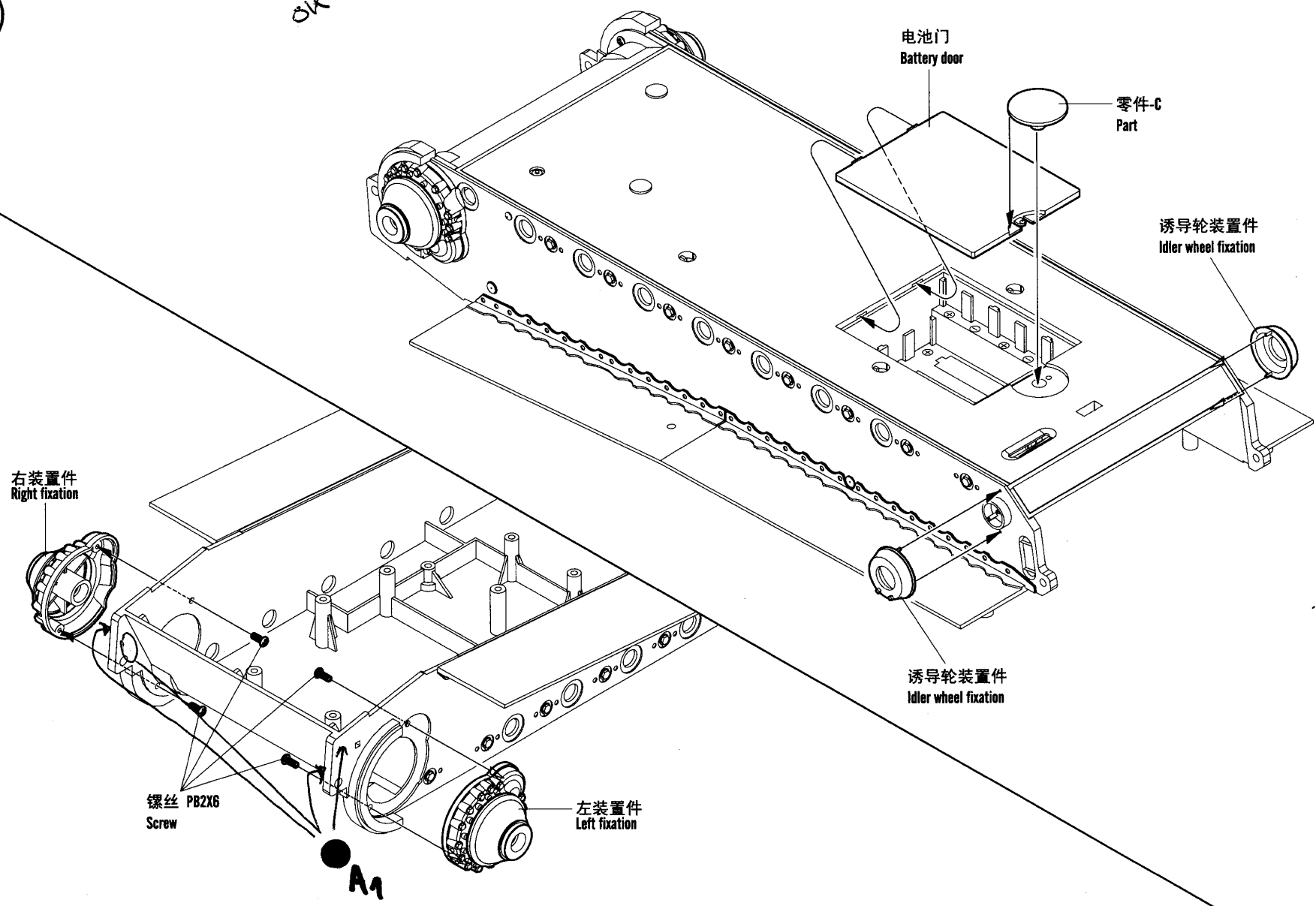
<<B-B>>

制作8组
Make eight

OK



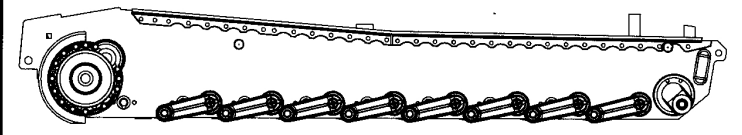
OK



OK



左侧展示
Left side show



六角螺母 M2.5
Hexagonal nuts

制作8组
Make eight

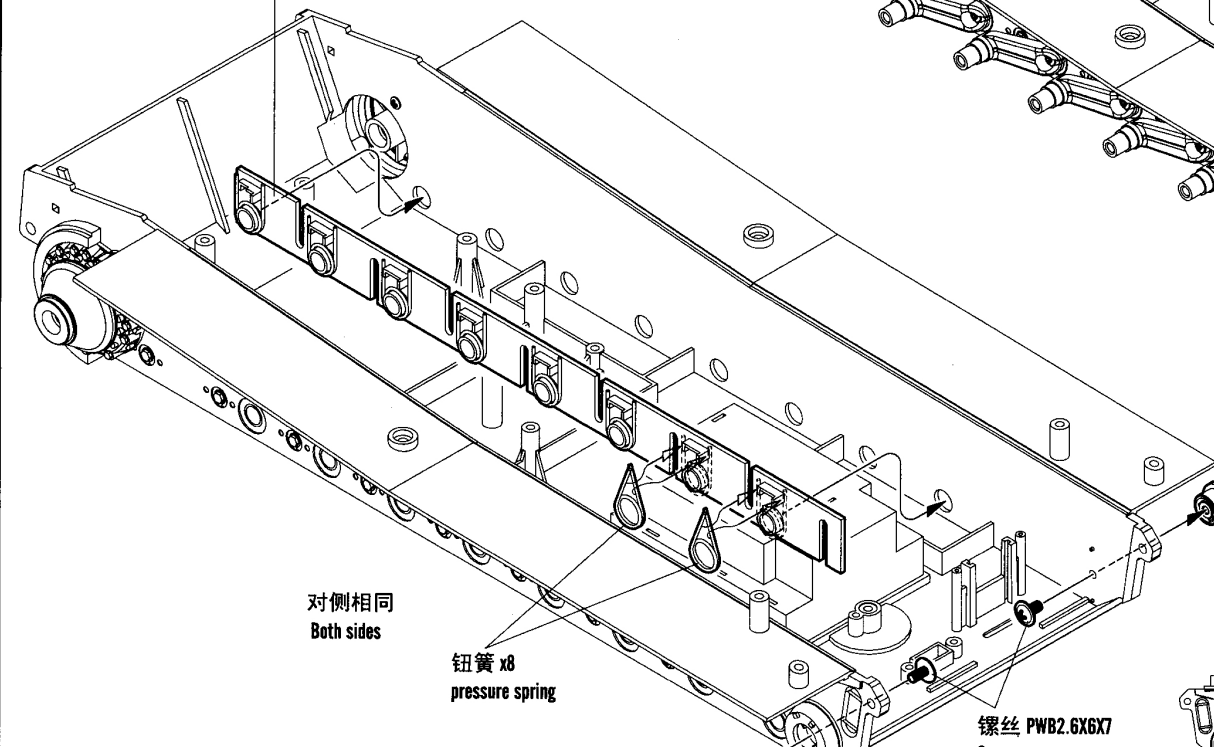
镙丝 PM2.5X17
Screw

P1 x8

对侧相同
Both sides

P2 x8

<<M1>> 对侧 <<M2>>
Opposite



对侧相同
Both sides

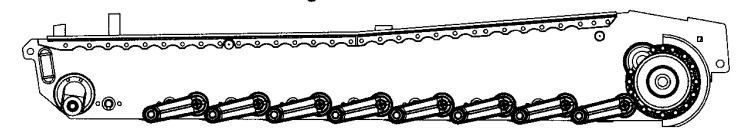
钮簧 x8
pressure spring

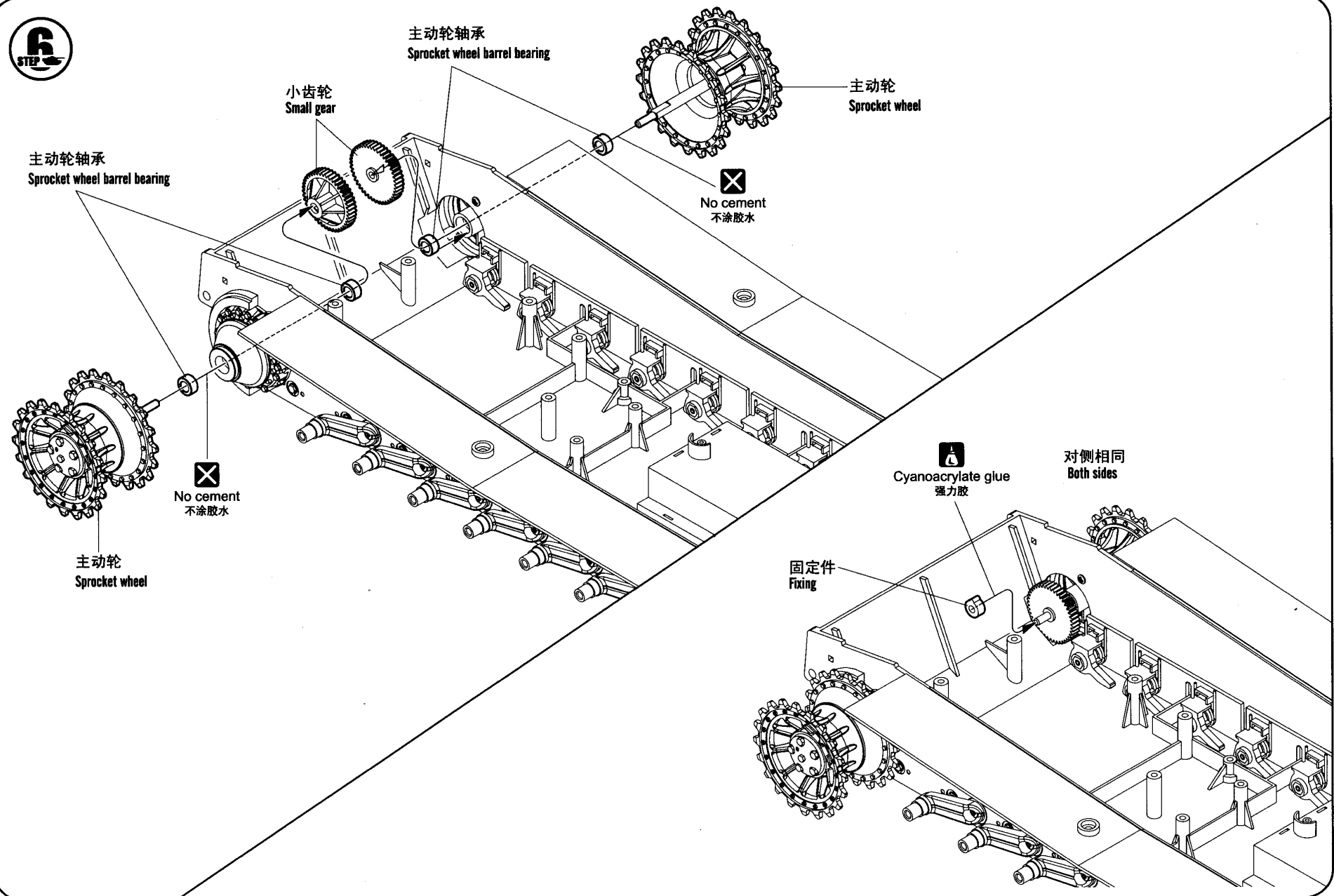
诱导轮曲轴
Idler wheel crank

镙丝 PWB2.6X6X7
Screw

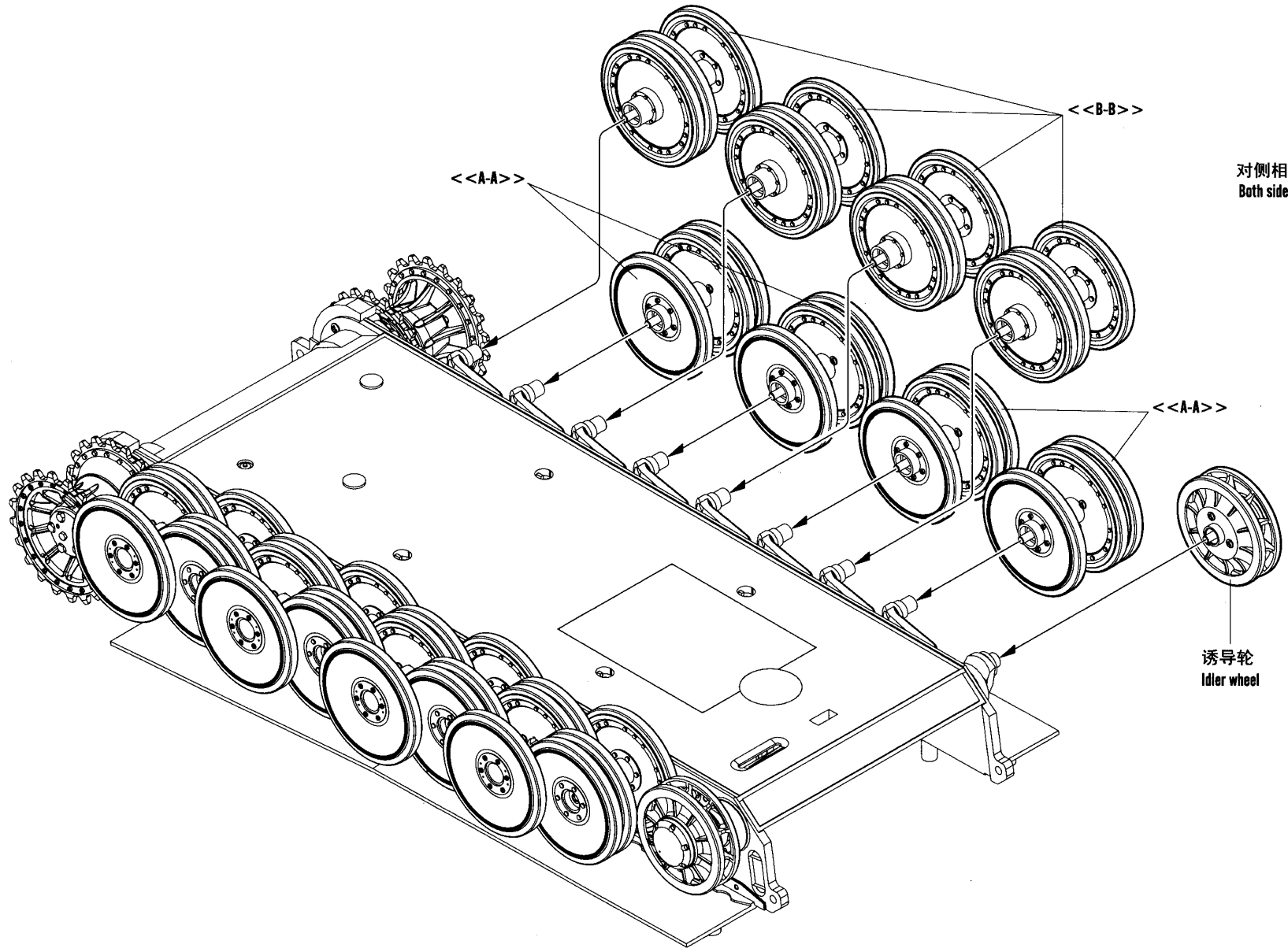
诱导轮曲轴
Idler wheel crank

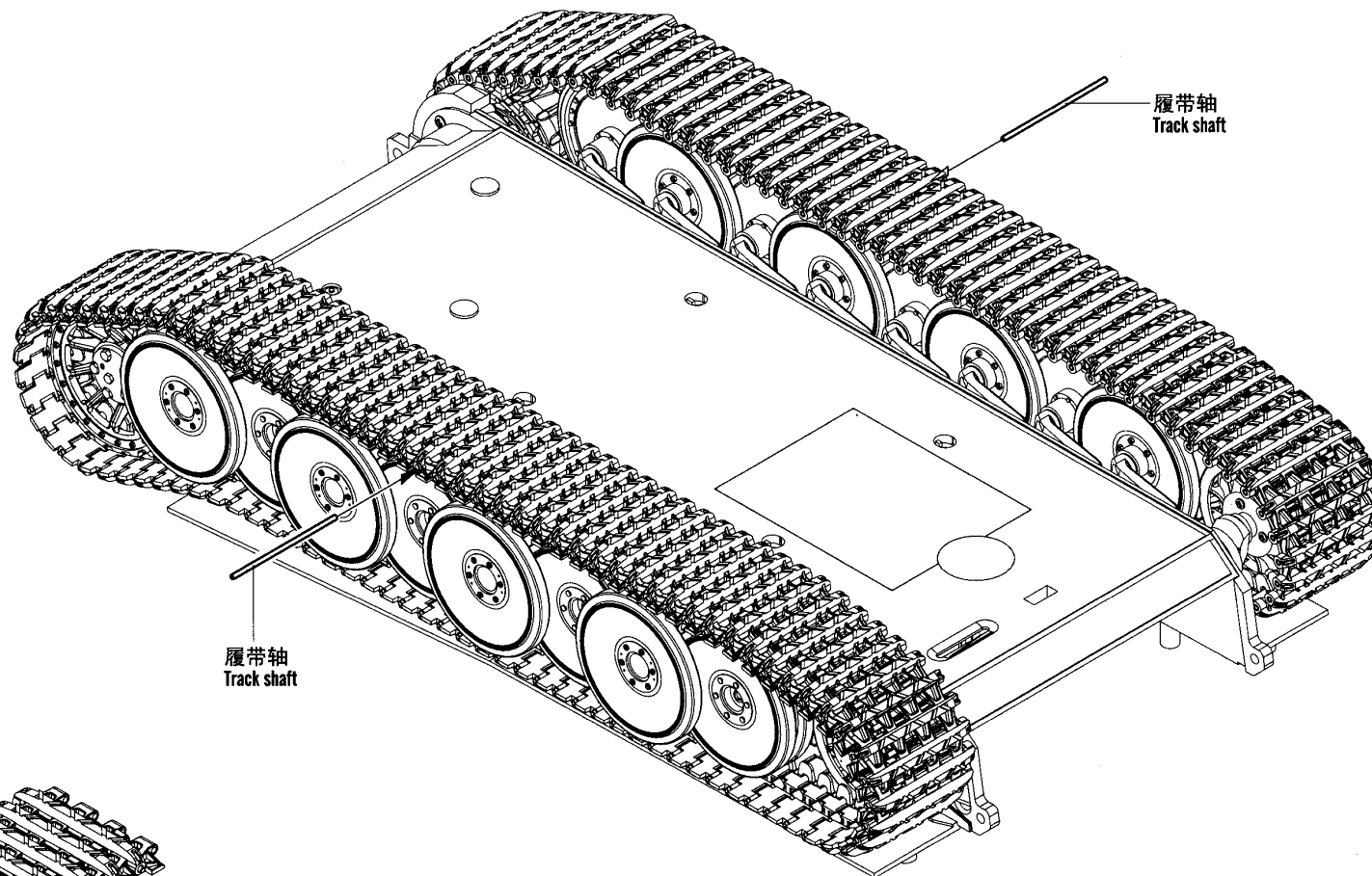
右侧展示
Right side show





7
STEP



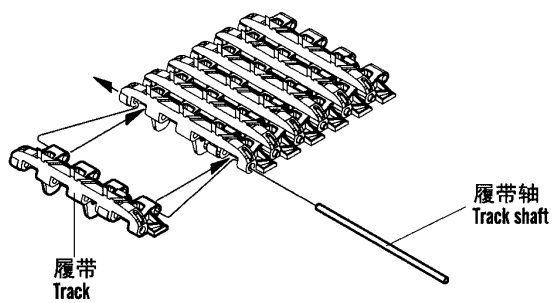


履带轴
Track shaft

履带组装
Track assembly

履带轴
Track shaft

单侧履带需96节
Complete track for one side require 96 links



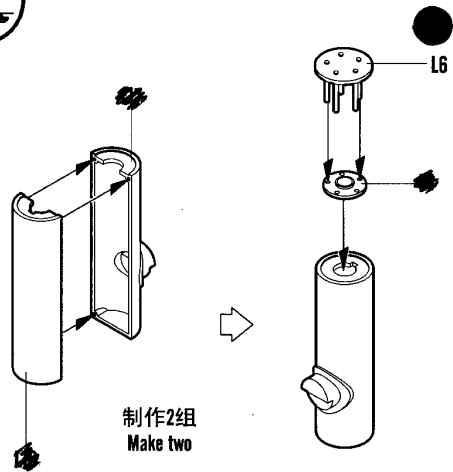
履带轴
Track shaft

履带
Track

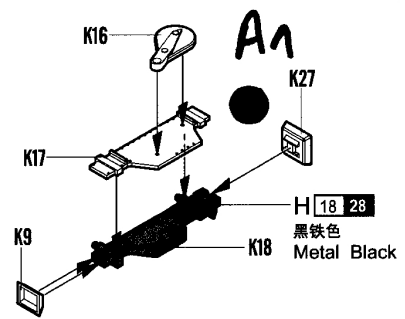
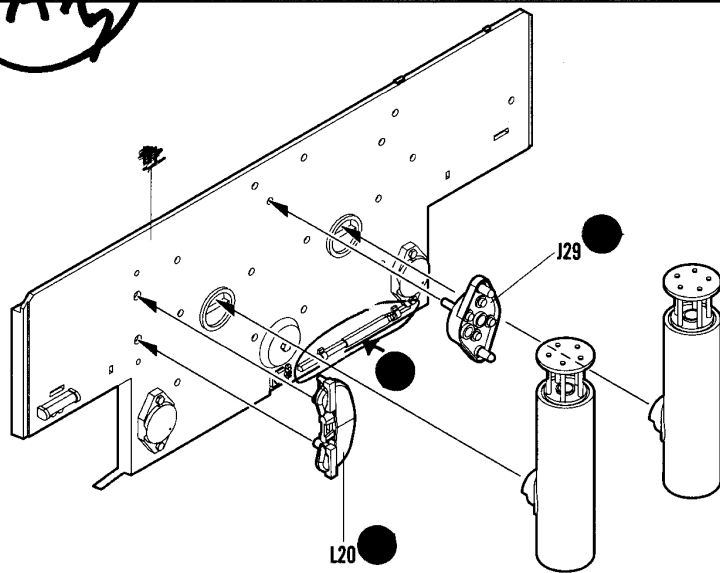
制作2组
Make two

Q STEP

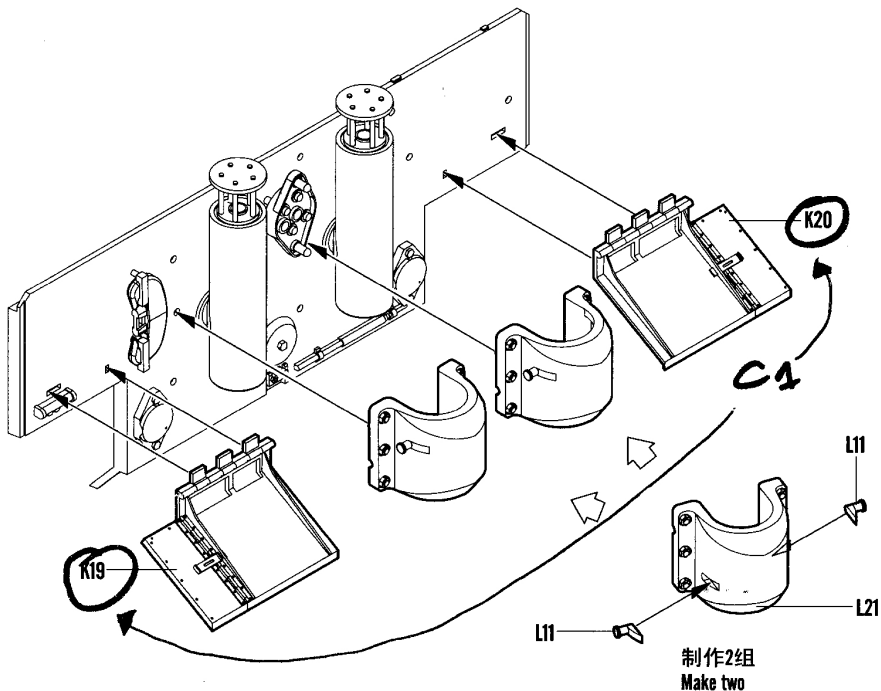
A2



制作2组
Make two

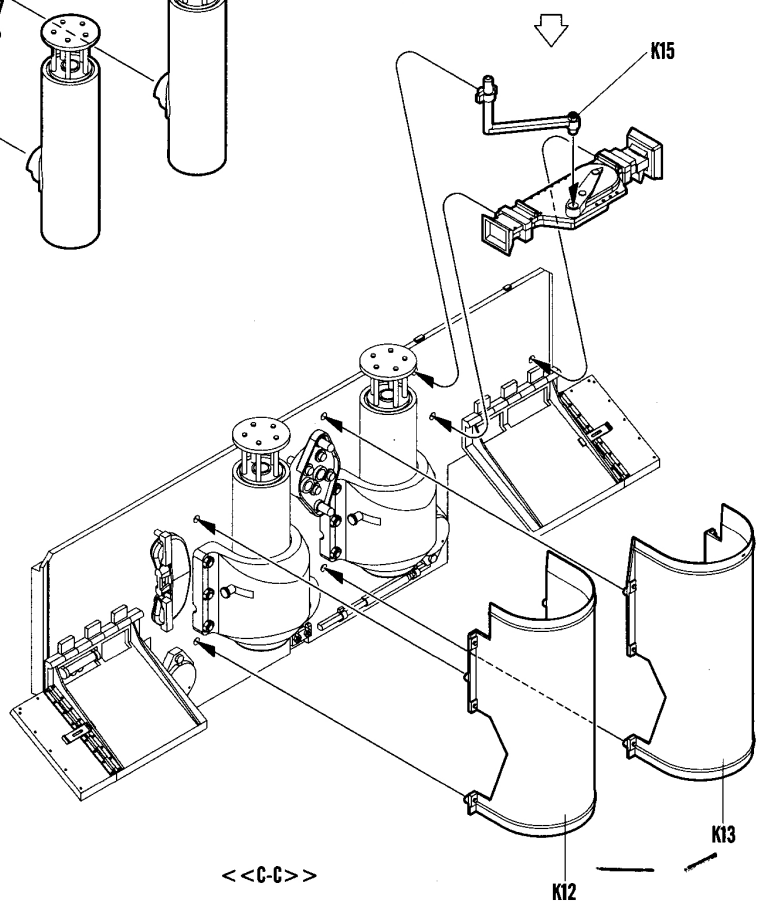


A1



制作2组
Make two

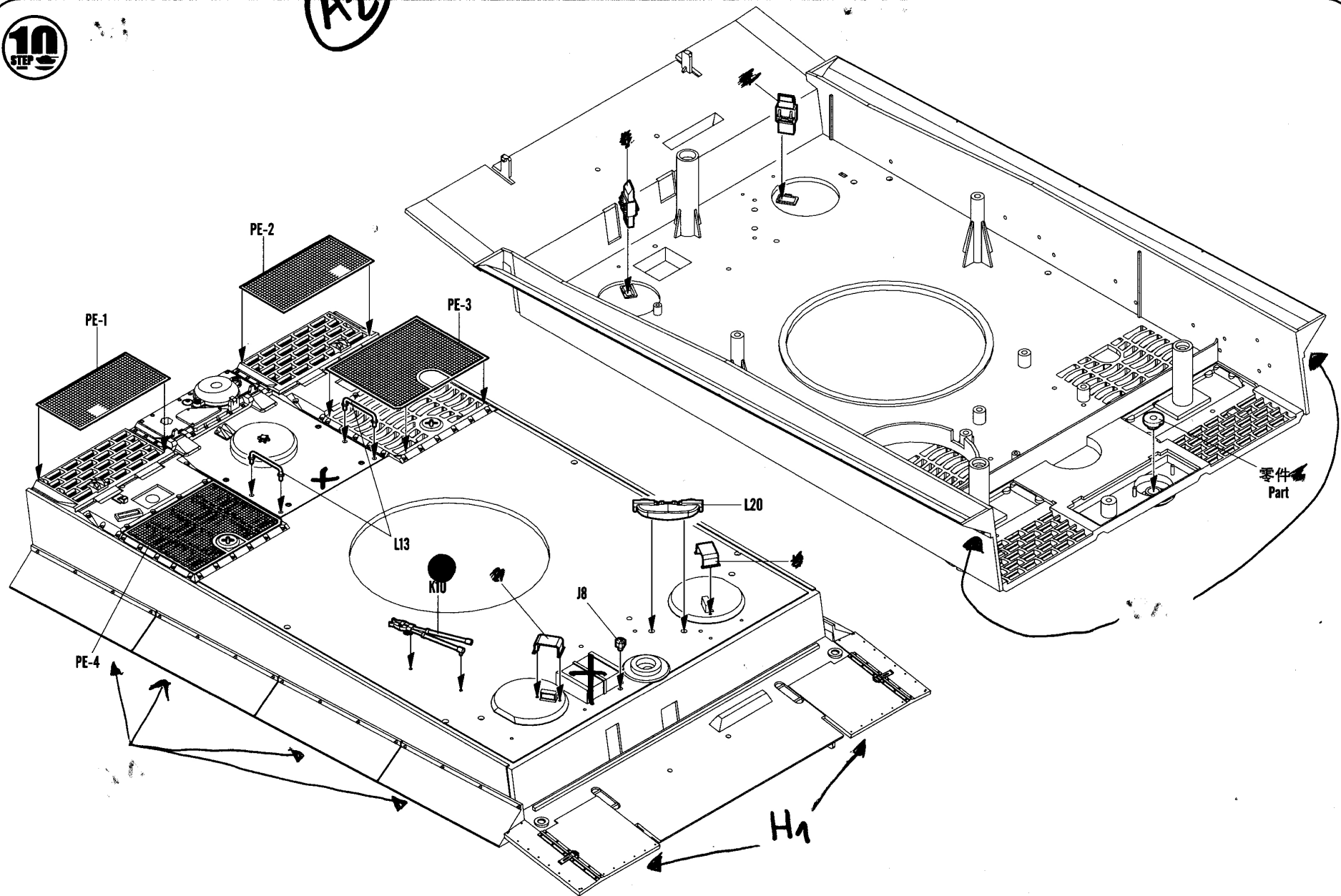
C4



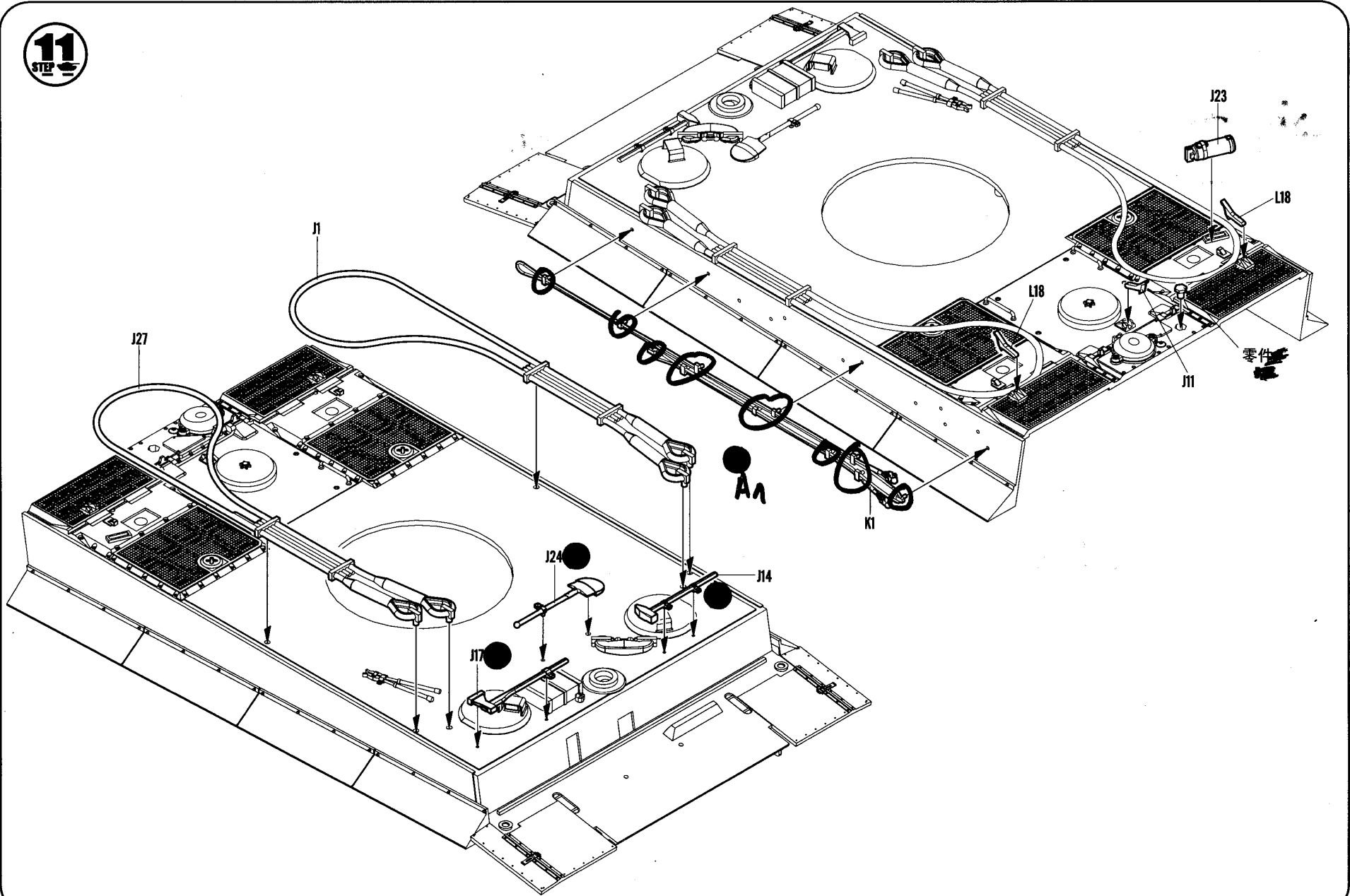
<<C-C>>

10
STEP

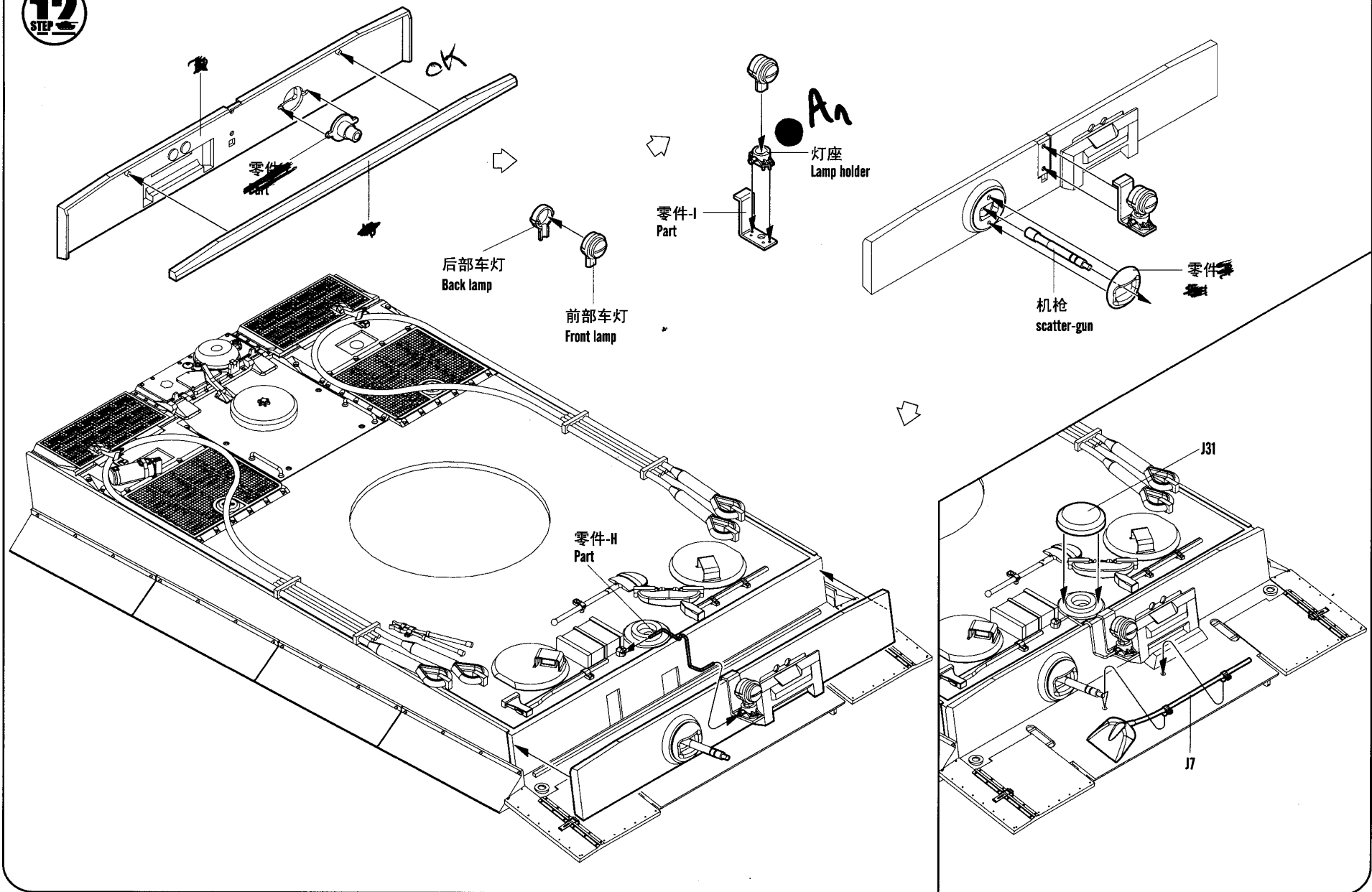
A2



11
STEP

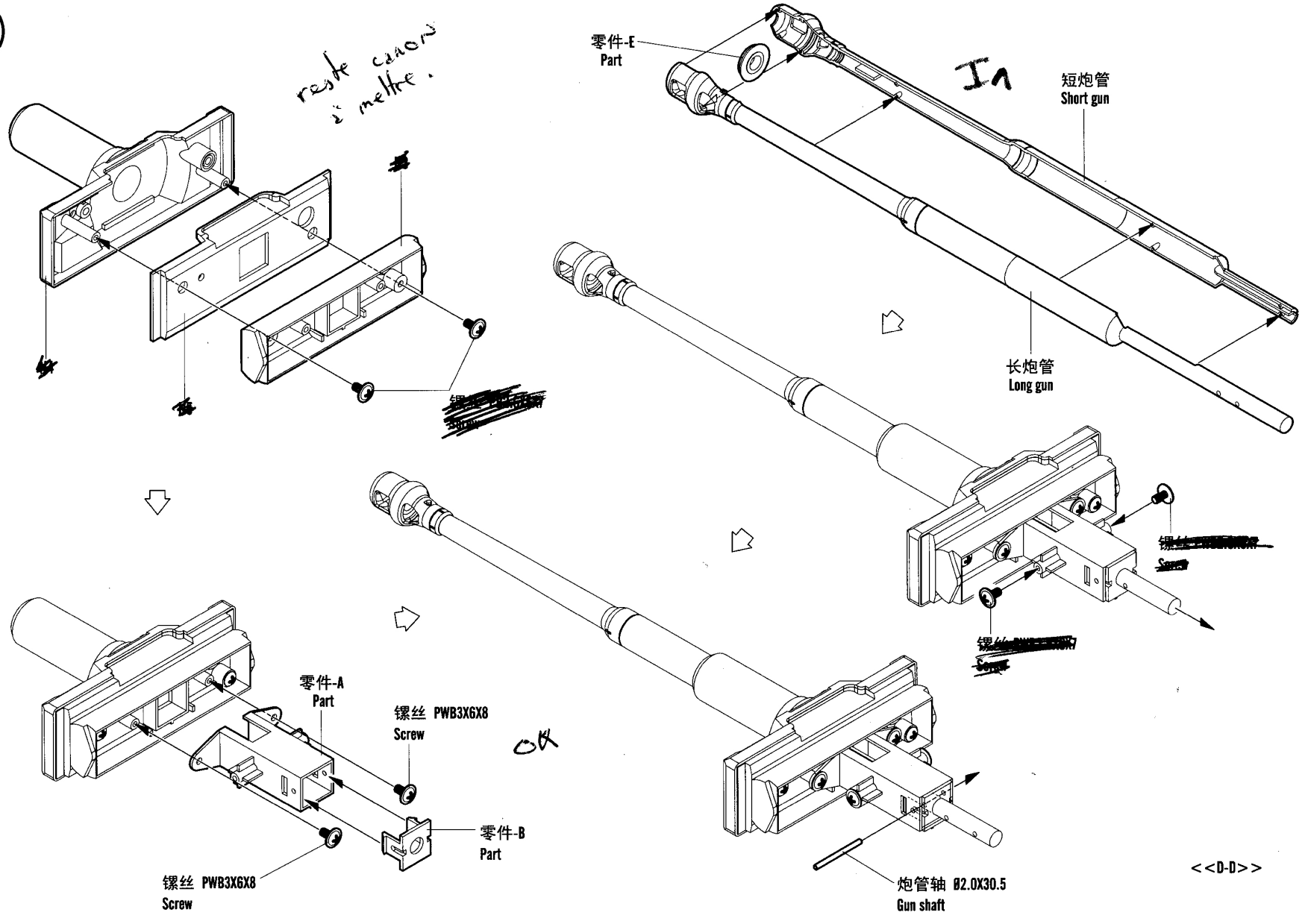


12
STEP



13
STEP

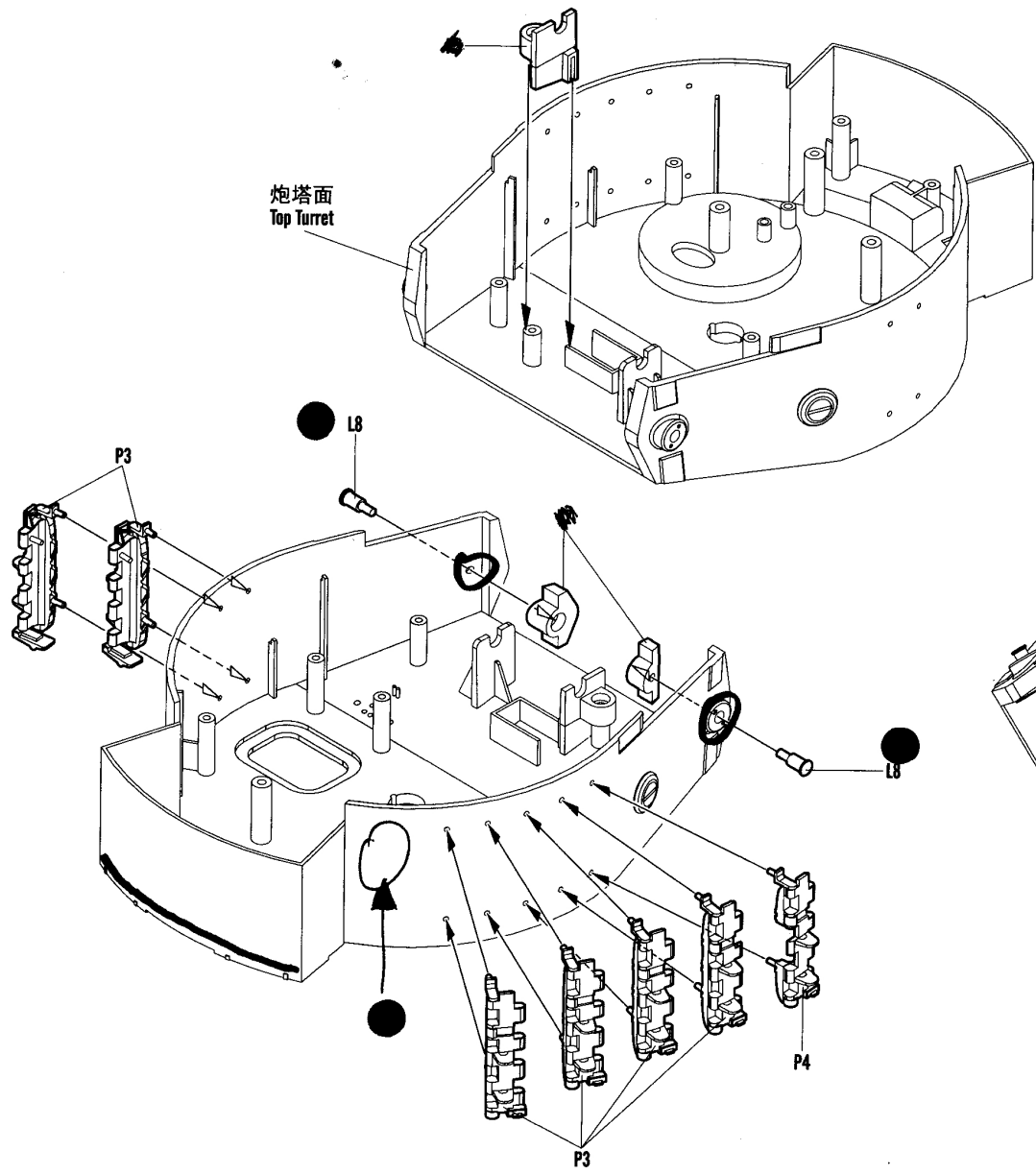
reste canon
à mettre.



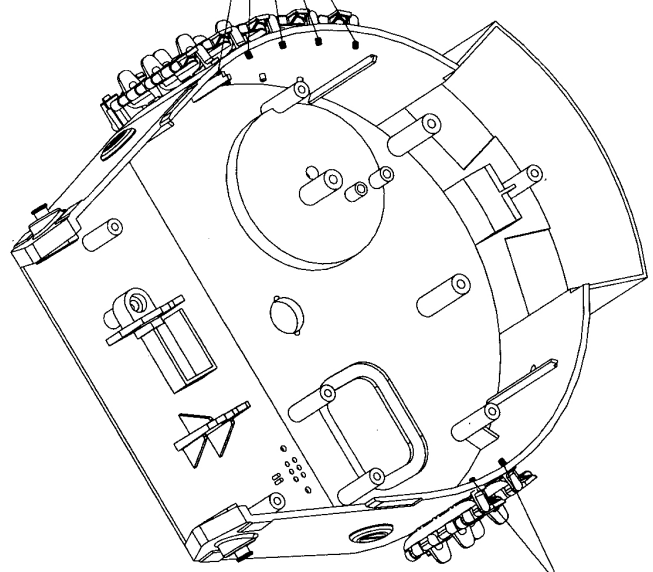
11
STEP

A3

炮塔面
Top Turret

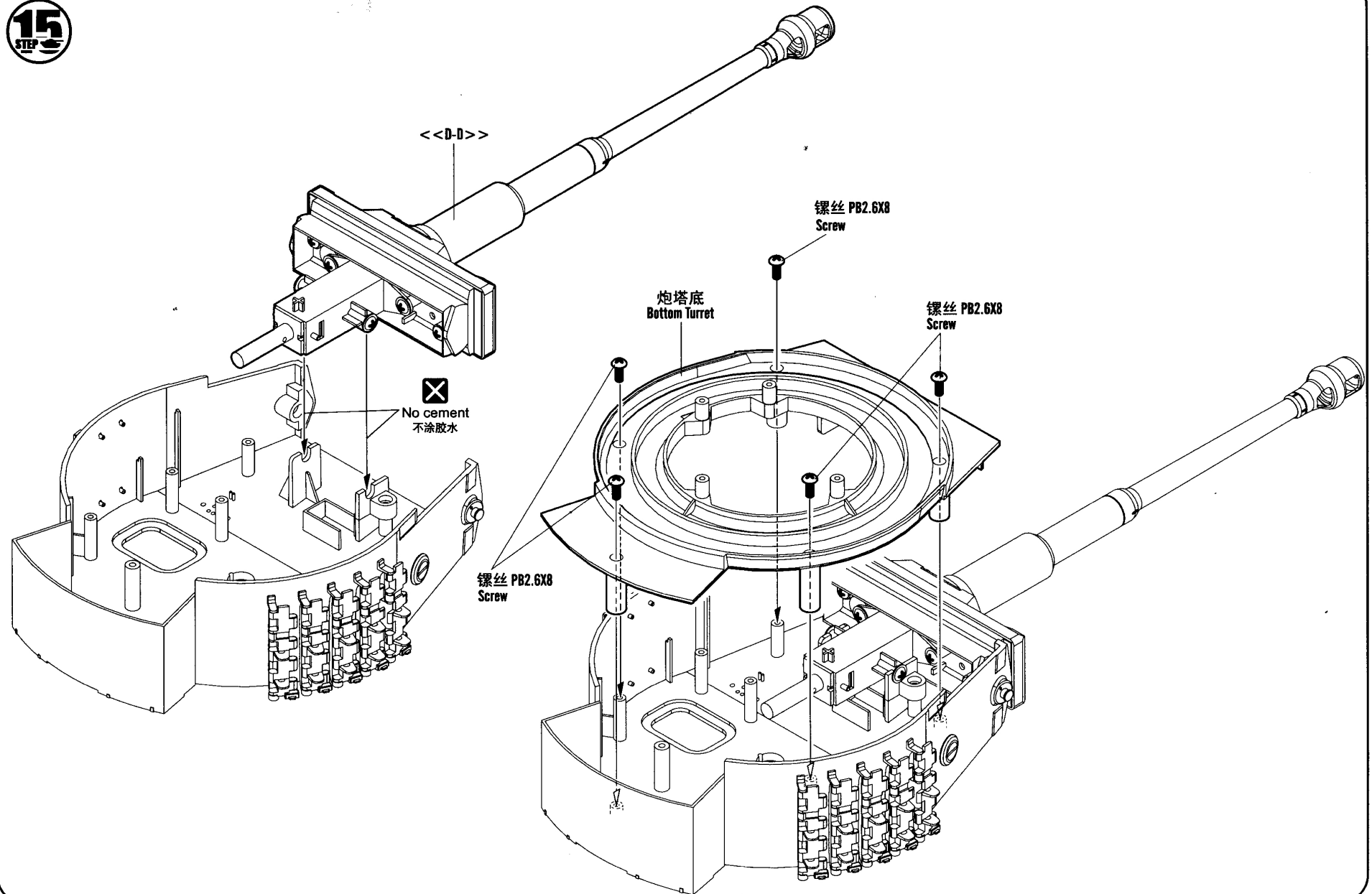


Cut / Remove
切除



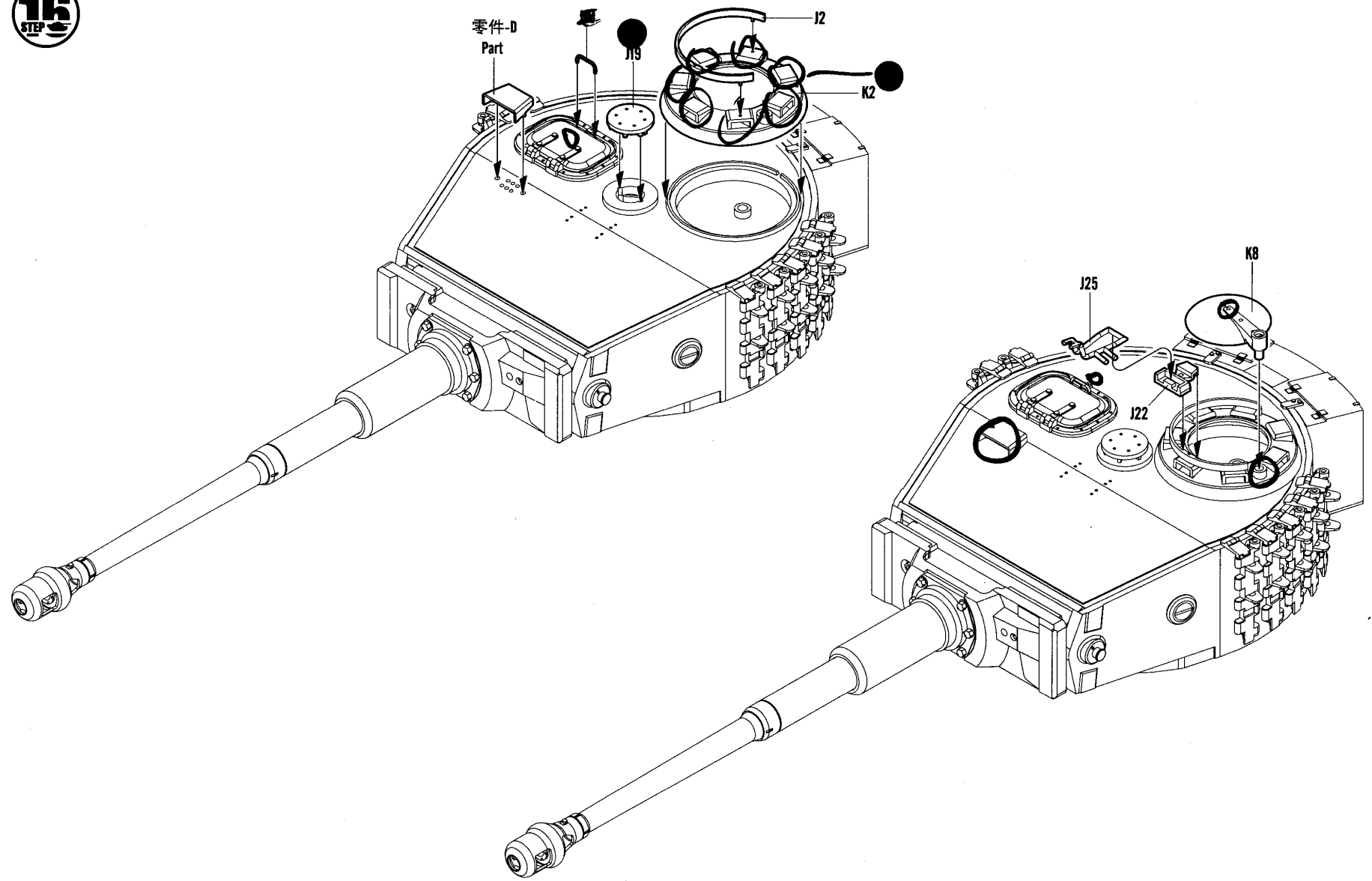
Cut / Remove
切除

15
STEP



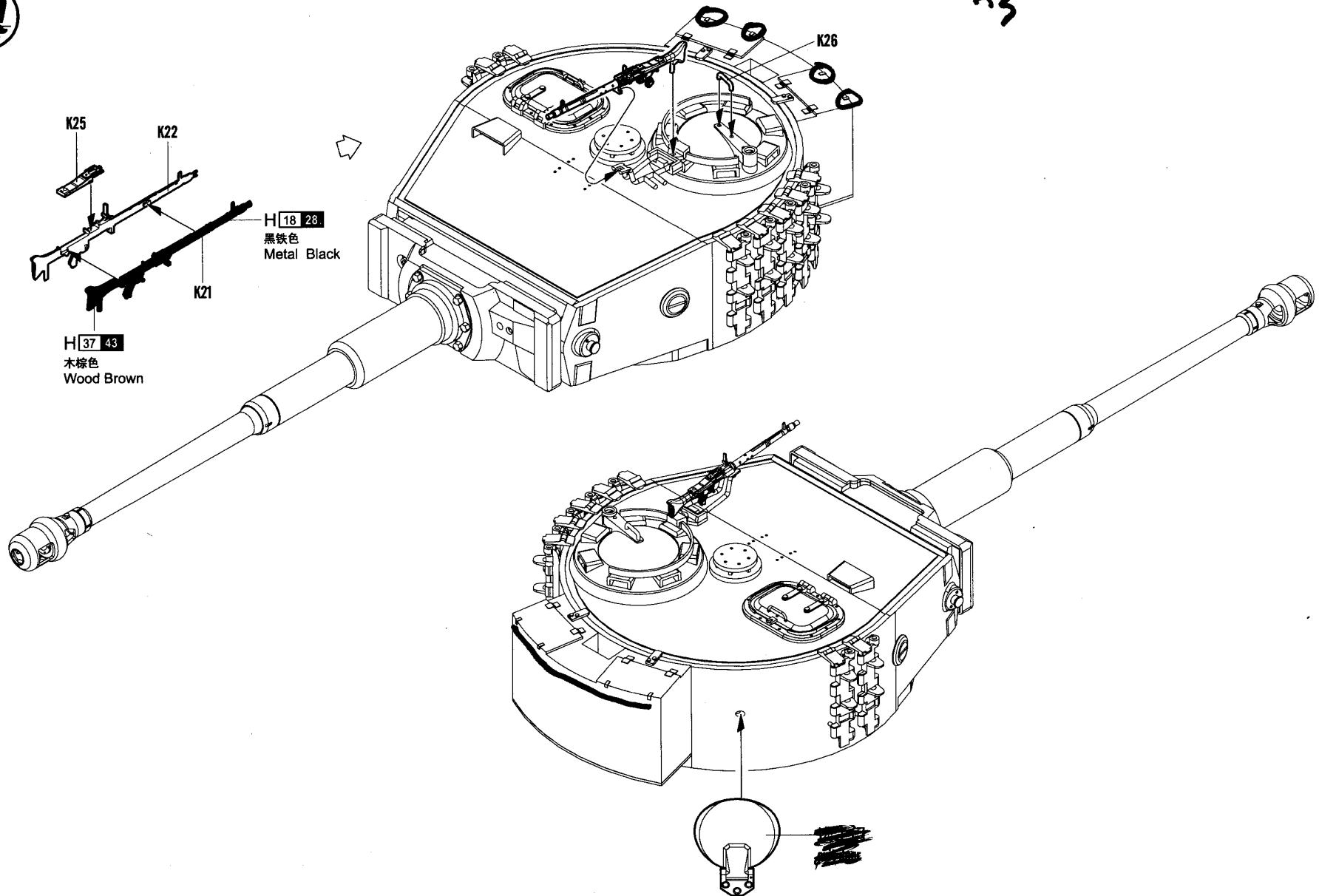
16
STEP

A3

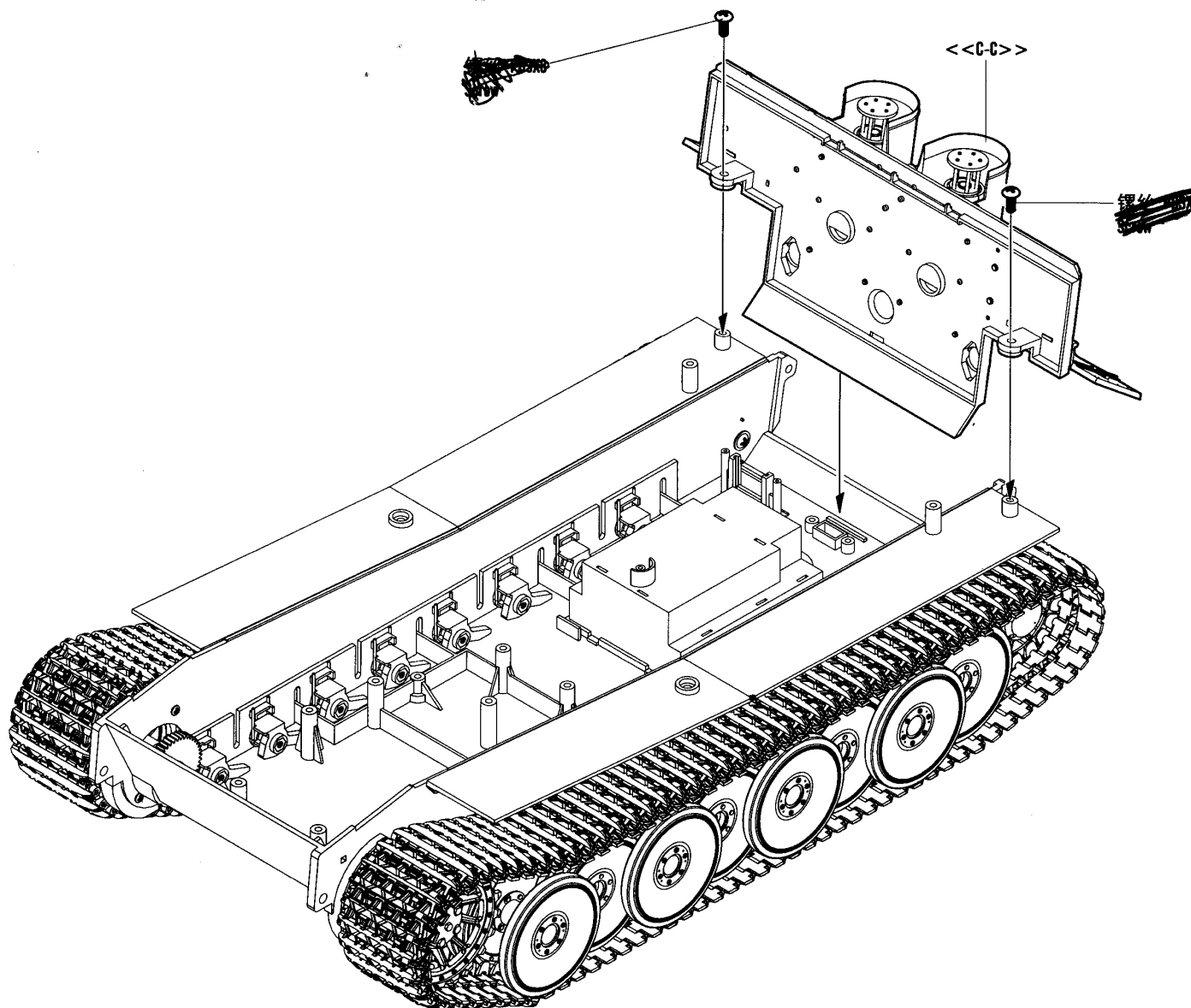


17
STEP

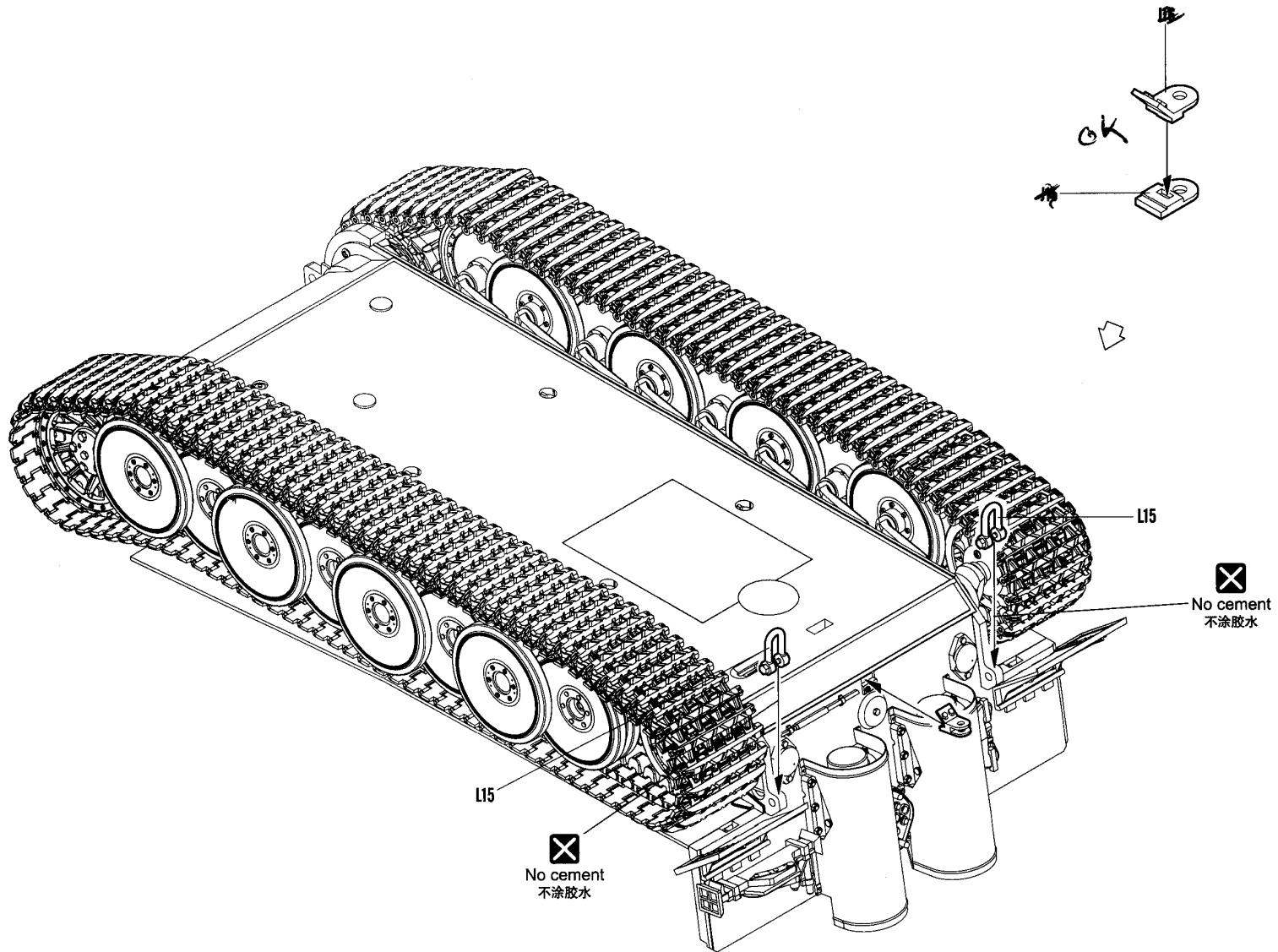
A3



18
STEP

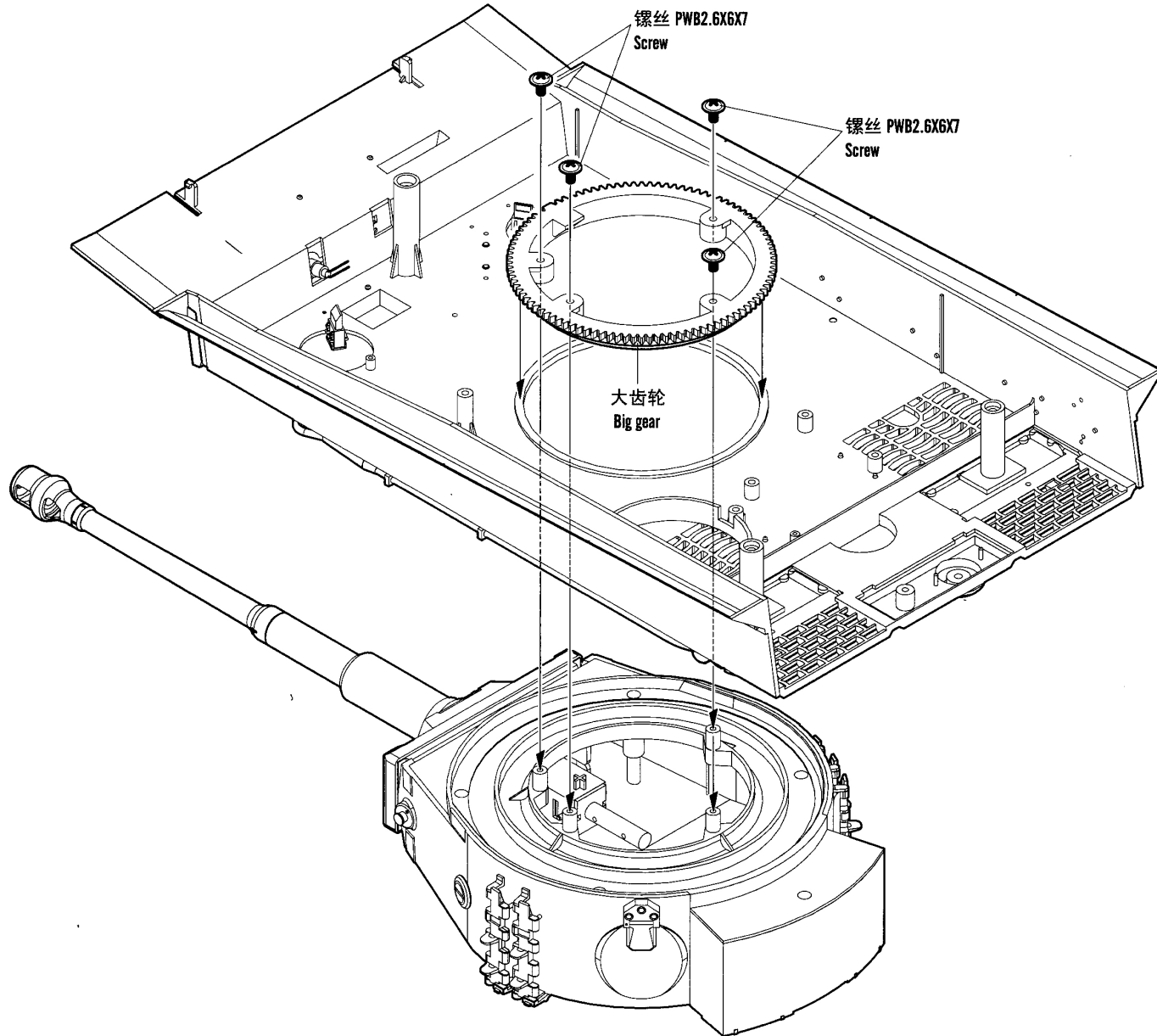


10
STEP



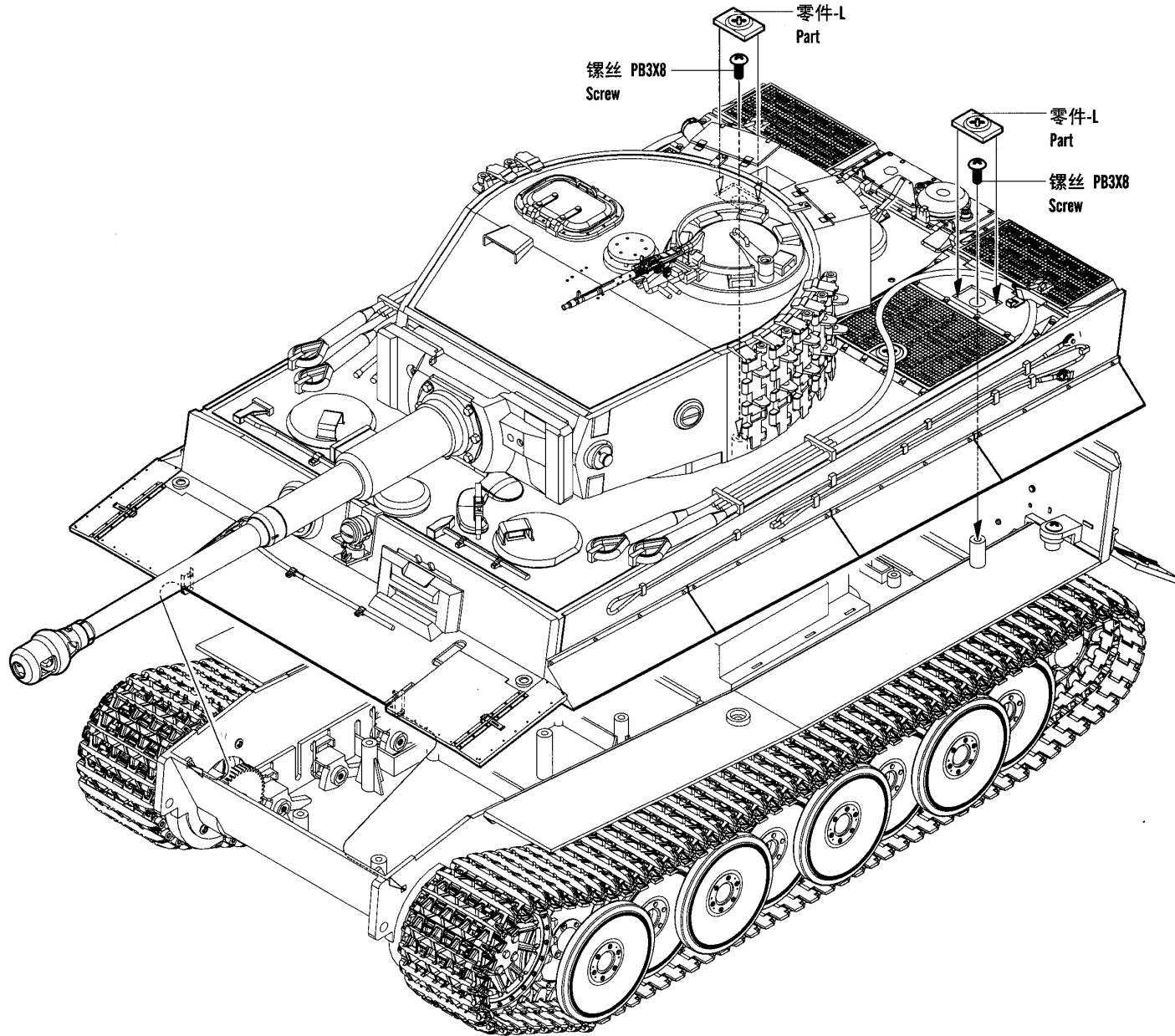
OK

20
STEP

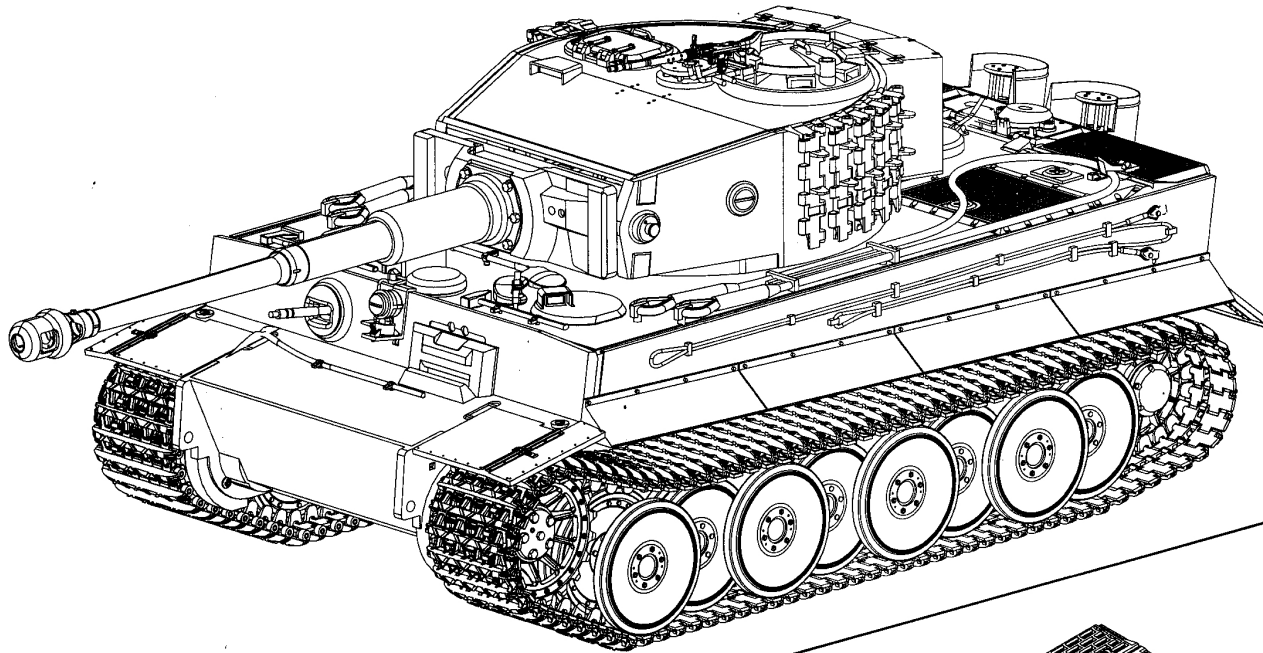


OK

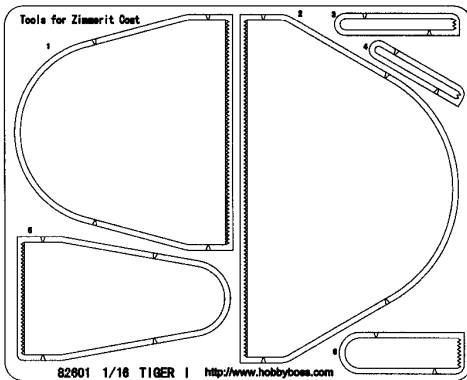
21
STEP



22
STEP



防磁装甲工具
Tools for Zimmerit Coat



82601 1/16 TIGER | <http://www.hobbyboss.com>

PEI号-PE6号为制作防磁装甲工具，取用时请用专用工具将其切下，挫平切口处残留物。
The PEI-PE6 are Tools for Zimmerit Coat, use the special tool to cut off the blade and to flatten the cutting point.

