

# USSR Navy Sovremenny Class Project 956E Destroyer

俄罗斯现代级 II 型导弹驱逐舰

1:350 SCALE



cyanoacrylate glue  
使用强力胶



weight  
配重



make hole  
钻孔



cut / remove  
切除



option  
选择



no cement  
不涂胶水



decal  
贴纸



bend  
弯曲



file / sand  
锉平

## READ BEFORE ASSEMBLY

- Study and understand this instructions thoroughly before beginning assembly.
- Remove all injection pins carefully using a modeling file.
- Cut off the photo-etched parts carefully using a modeling knife. Be sure not to lose small parts.
- Apply instant cement to photo etched parts and shafts. Apply too much instant cement will cause movable parts to stick. Apply cement carefully.
- Extra care should be taken to avoid personal injury when handling the photo etched parts.
- Some parts should depend on decals. Select prior to assembly.
- Tools recommended: (Not included in this kit)
- Cement; Side cutters; Long nose pliers; Modeling knife; Modeling file; Tweezers; Pin vise; Scissors; Instant cement.
- Soft cloth and sand paper will also assist in construction.
- Glue and paints are not included in the kit. Use plastic cement or paints only.
- Keep out of reach of small children. Children must not be allowed to suck any part, or pull vinyl bag over the head.

## 装配之前仔细阅读

- 小心用模型锉刀锉平所有零件表面的注射浇口。
- 小心用刀片切下蚀刻片零件，不要遗失小零件。
- 用强力快干胶水粘合蚀刻片零件和金属轴。过量的快干胶水使用可能导致可动零件会粘住，小心涂胶。
- 取蚀刻片时应特别注意安全，防止利边划伤手指。
- 某些零件表面需贴水上贴纸，请选择在装配的同时进行。
- 推荐模型工具(自备)：胶水，水口剪刀，长咀钳，刀片，锉刀，镊子钳，钻，剪刀，瞬间快干胶。
- 软布同砂纸同时也应该是必备工具。
- 请使用塑料胶水和油漆，模型内不含。
- 谨防小孩吸吮塑料零件，或者将塑料袋套在头上，制作时应将套材远离小孩接触。

## 水贴纸的使用：

1. 从水贴纸上剪下印花；
2. 将印花放入温水中浸10秒，然后放在干净布上。
3. 拿着印花纸将印花移到模型上；
4. 手指蘸水将印花移到适当的位置；
5. 用软布轻压印花直至水干，气泡消失。

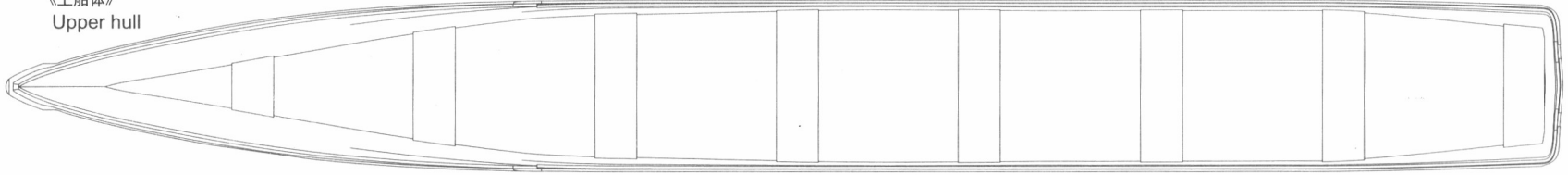
## DECAL APPLICATION

1. Cut off decal from sheet.
2. Dip the decal in tepid water 40° C for about 10 sec. and place on a clean cloth.
3. Hold the backing sheet edge and slide decal onto the model.
4. Move decal into position by wetting decal with finger.
5. Press decal gently down with a soft cloth until excess water and air bubbles are gone.

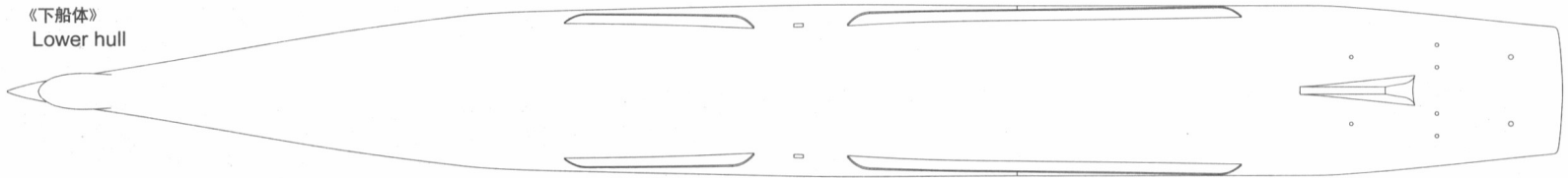
部品图

Parts

《上船体》  
Upper hull



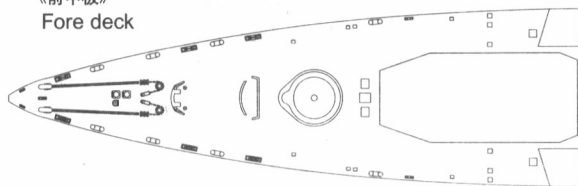
《下船体》  
Lower hull



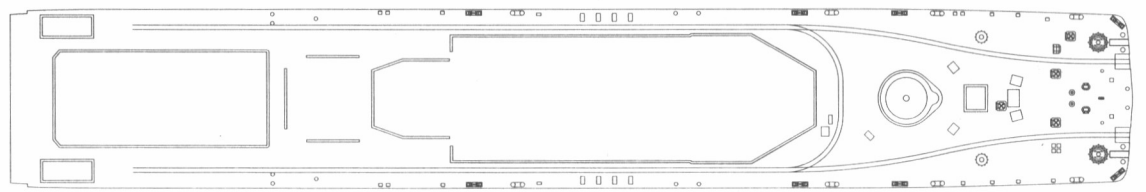
《水线板》  
Waterline plate

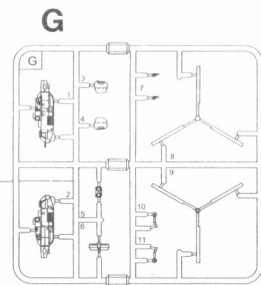
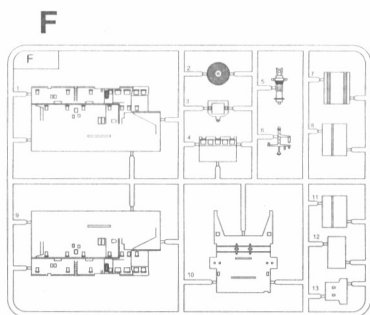
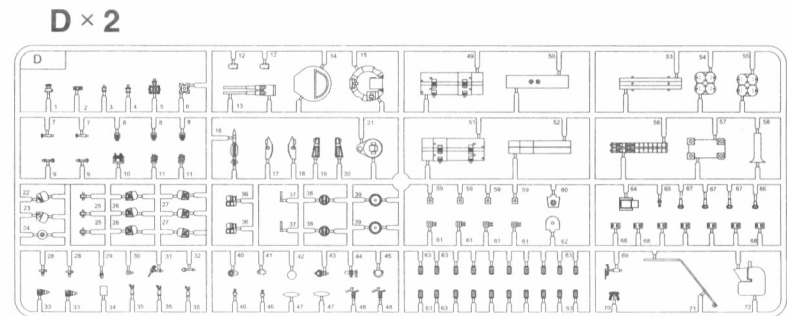
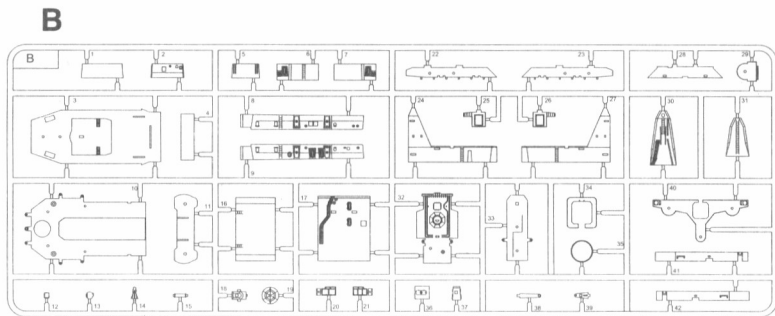
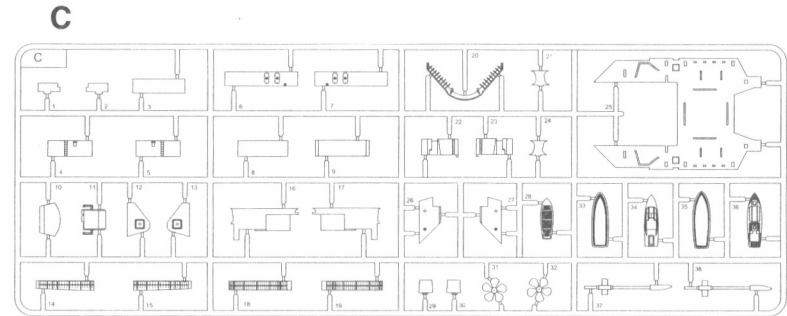
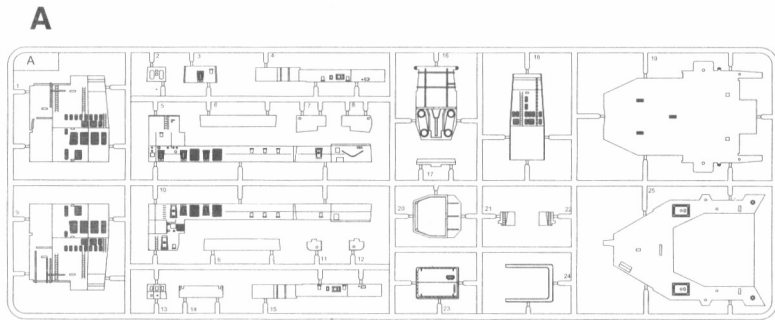


《前甲板》  
Fore deck

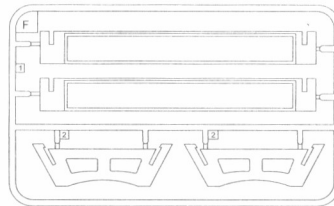


《后甲板》  
Rear deck

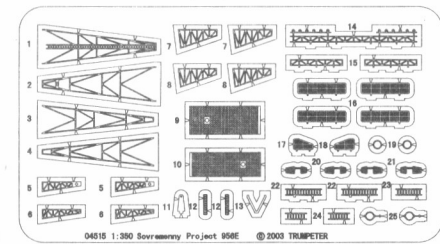




《座架》  
Stand



《蚀刻片》  
Photo Etched (PE)

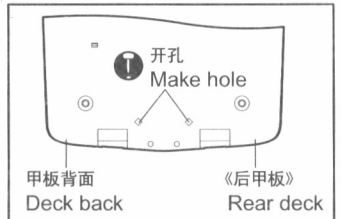
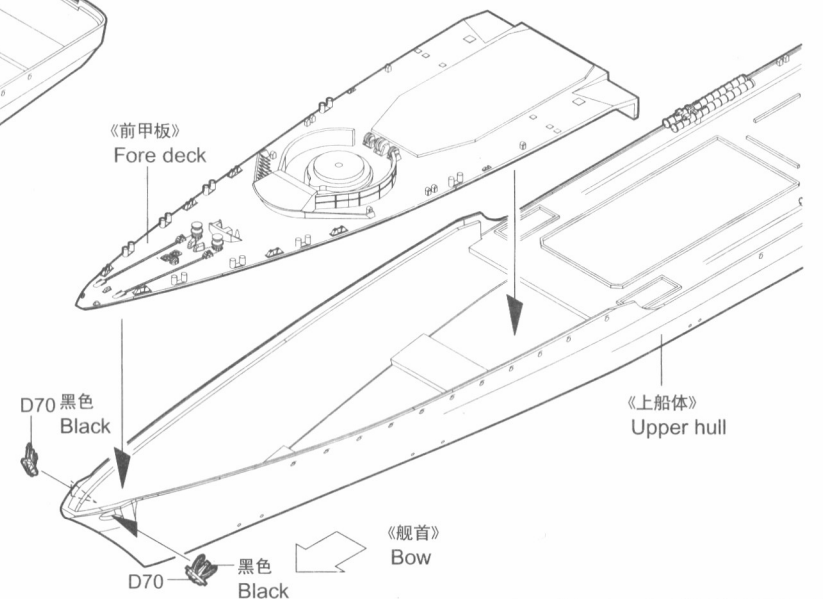
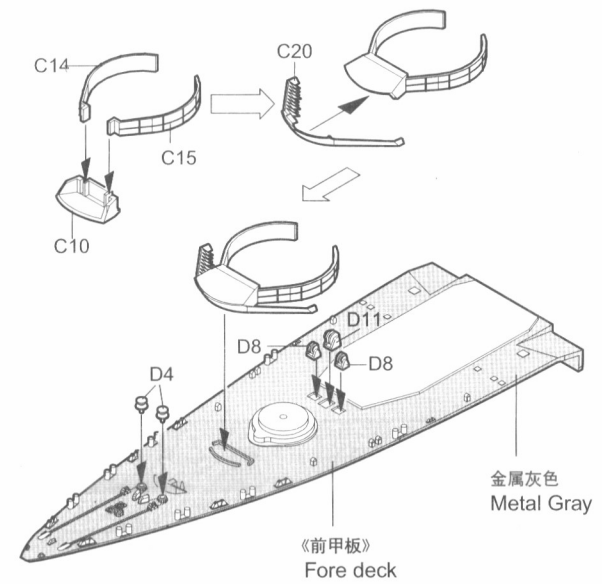
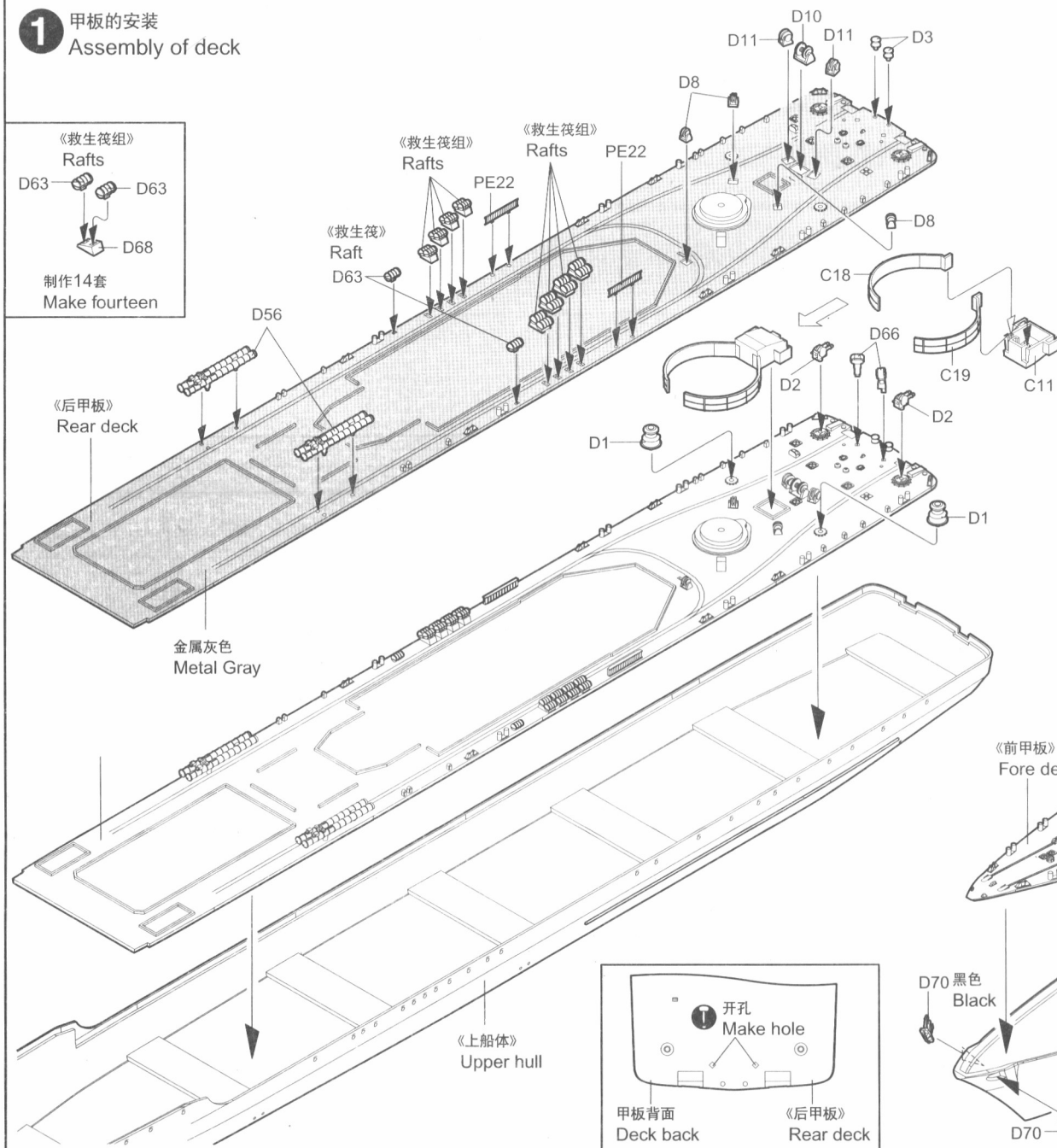


**1** 甲板的安装  
Assembly of deck

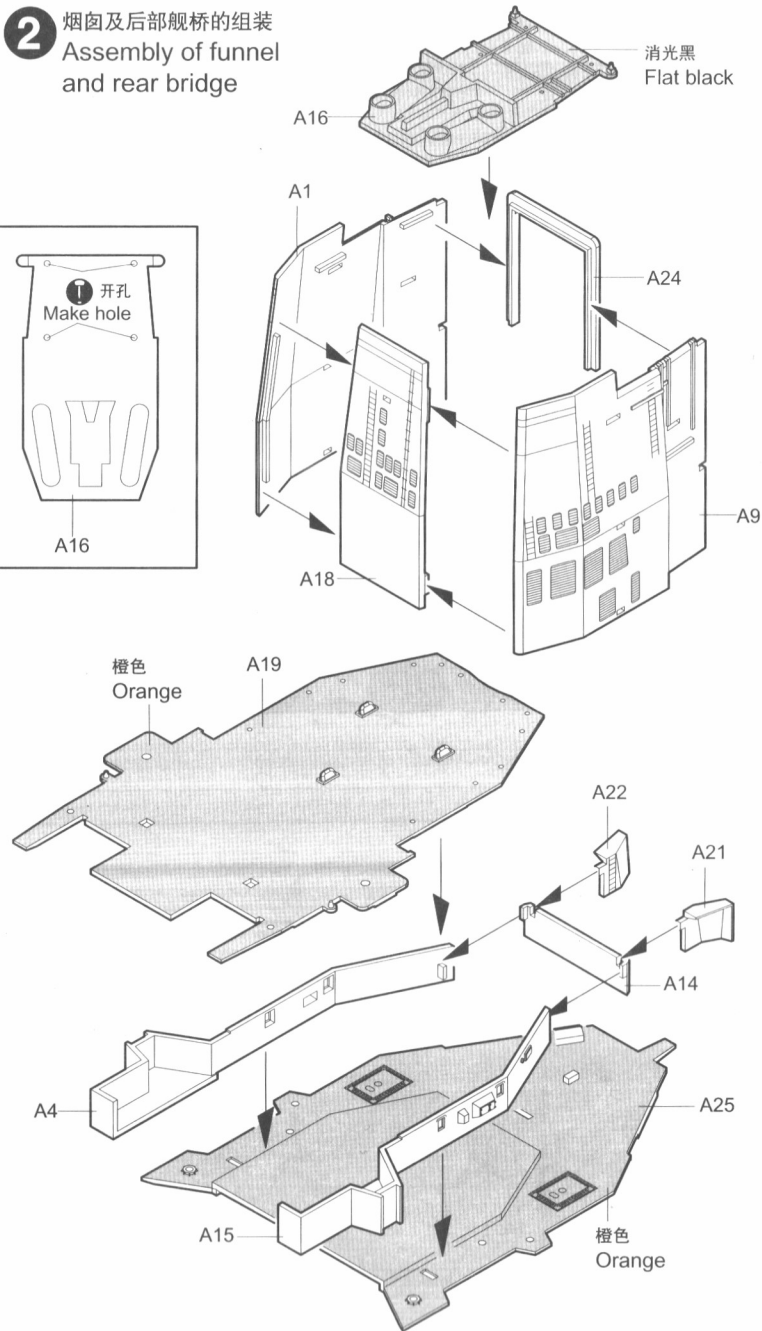
《救生筏组》  
Rafts

D63 D63  
D68

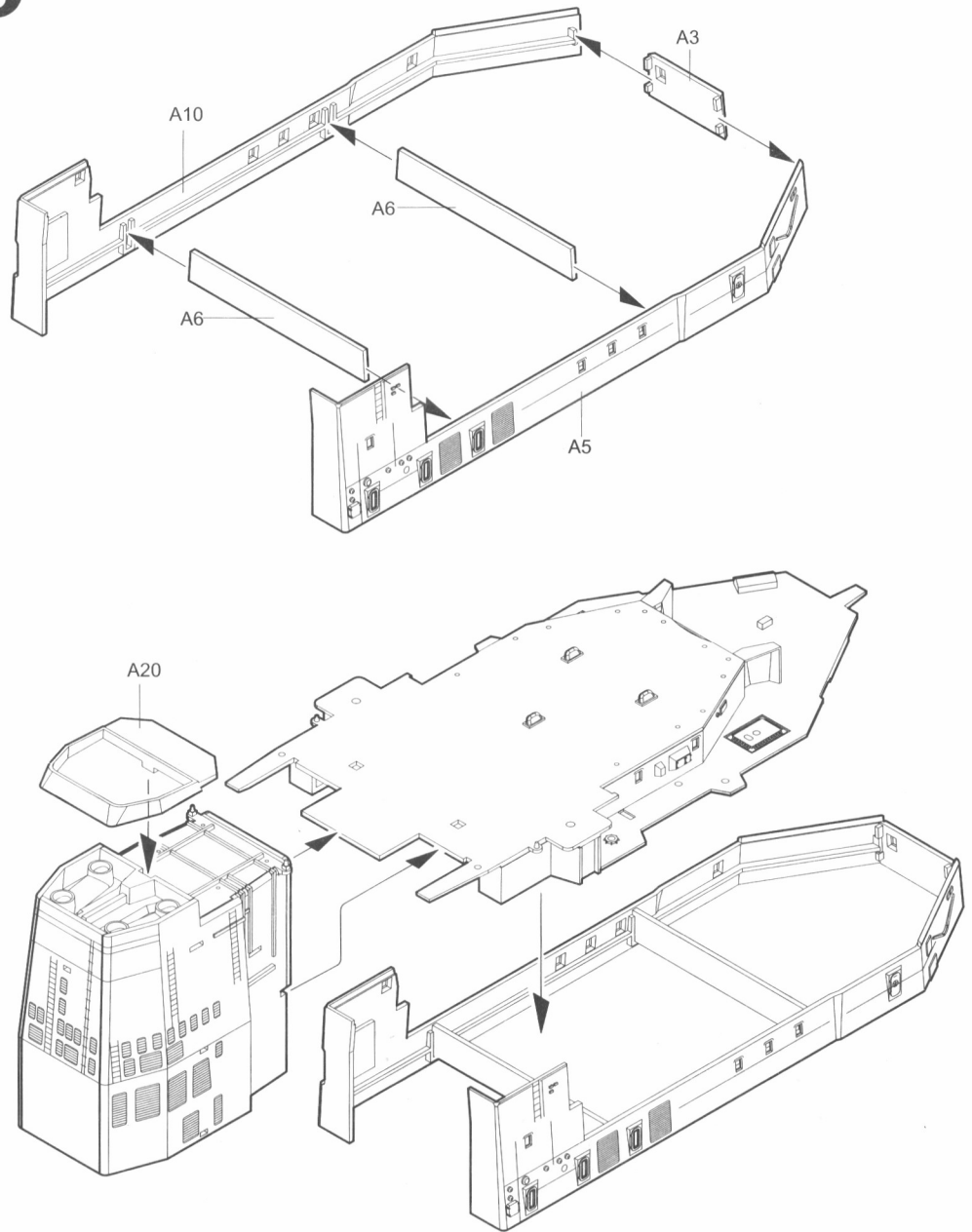
制作14套  
Make fourteen



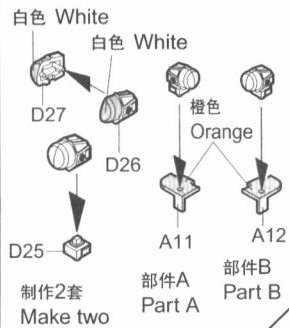
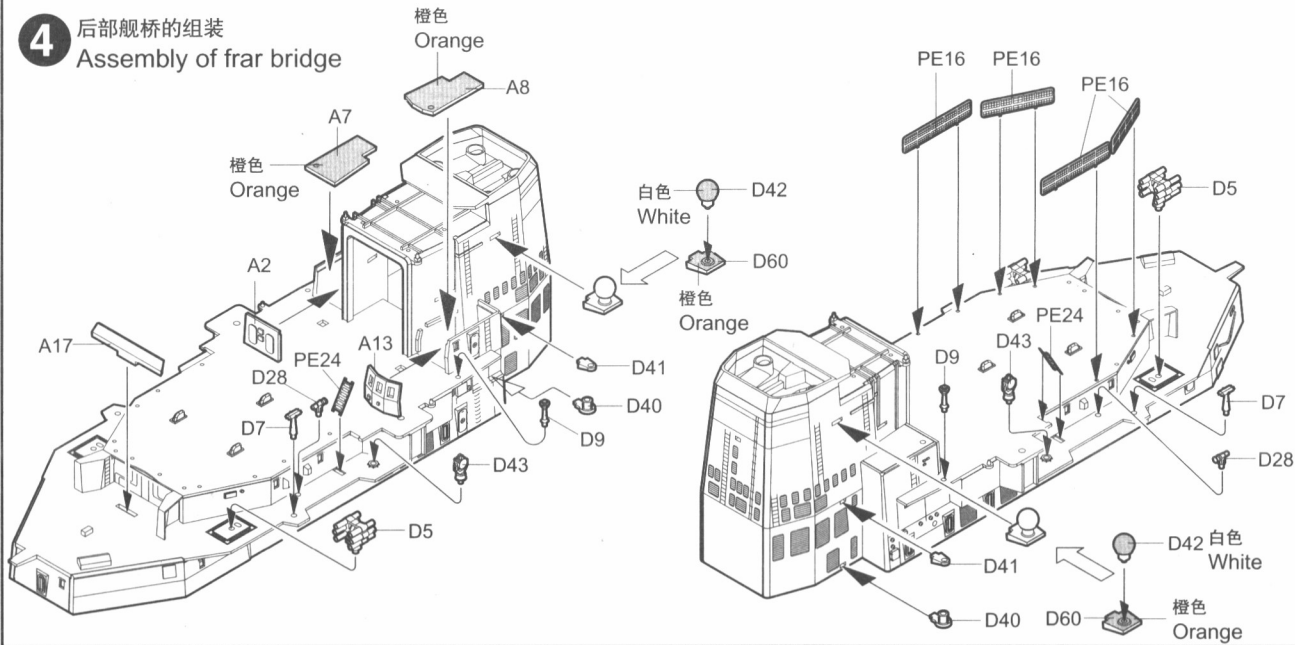
**2** 烟囱及后部舰桥的组装  
 Assembly of funnel and rear bridge



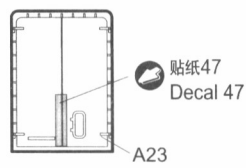
**3**



**4** 后部舰桥的组装  
Assembly of rear bridge



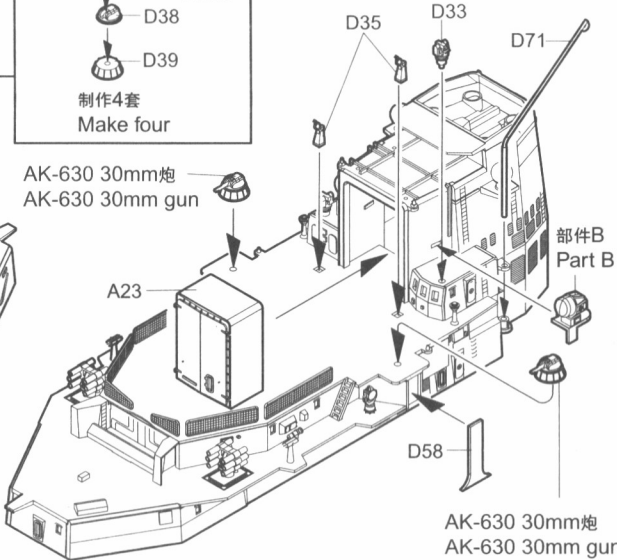
**5**



AK-630 30mm炮  
AK-630 30mm gun

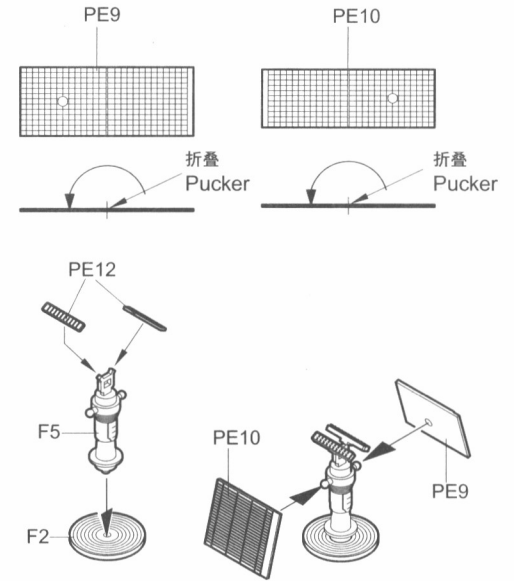


AK-630 30mm炮  
AK-630 30mm gun

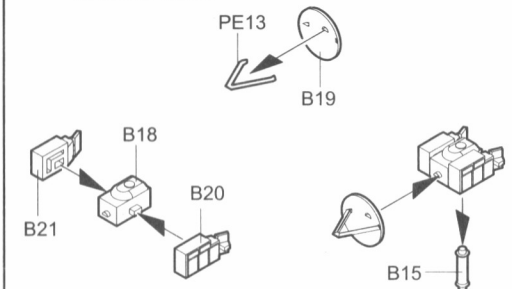


AK-630 30mm炮  
AK-630 30mm gun

**6** 远程搜索雷达的组装  
Assembly of long range air and surface search radar

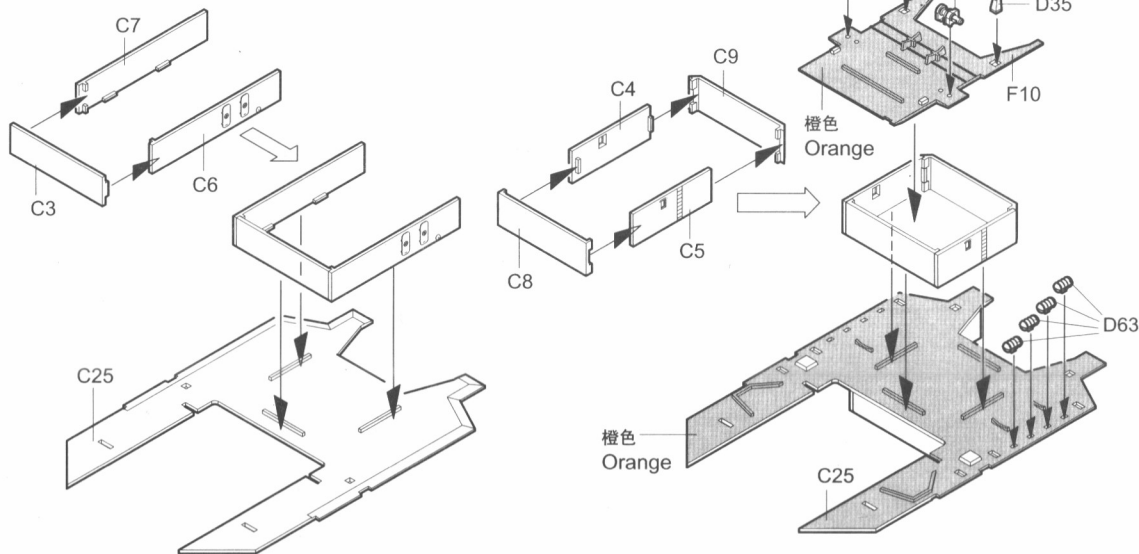


**7** "MR-145LEV"火控雷达的组装  
Assembly of "MR-145LEV" fire control radar

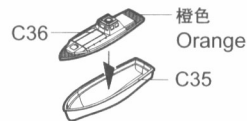




**10** 中部舰桥的组装  
Assembly of middle bridge



《汽艇 I》  
Motor launch I



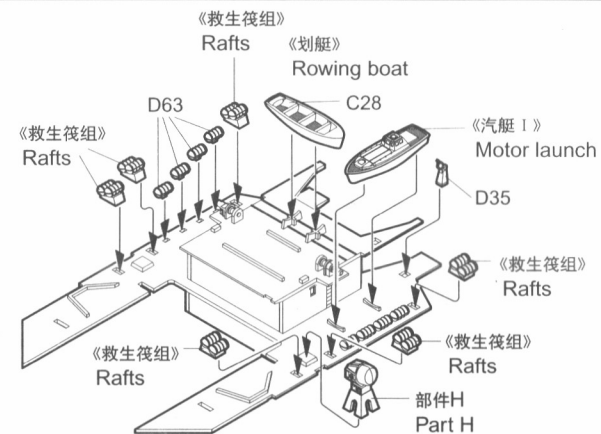
白色  
White



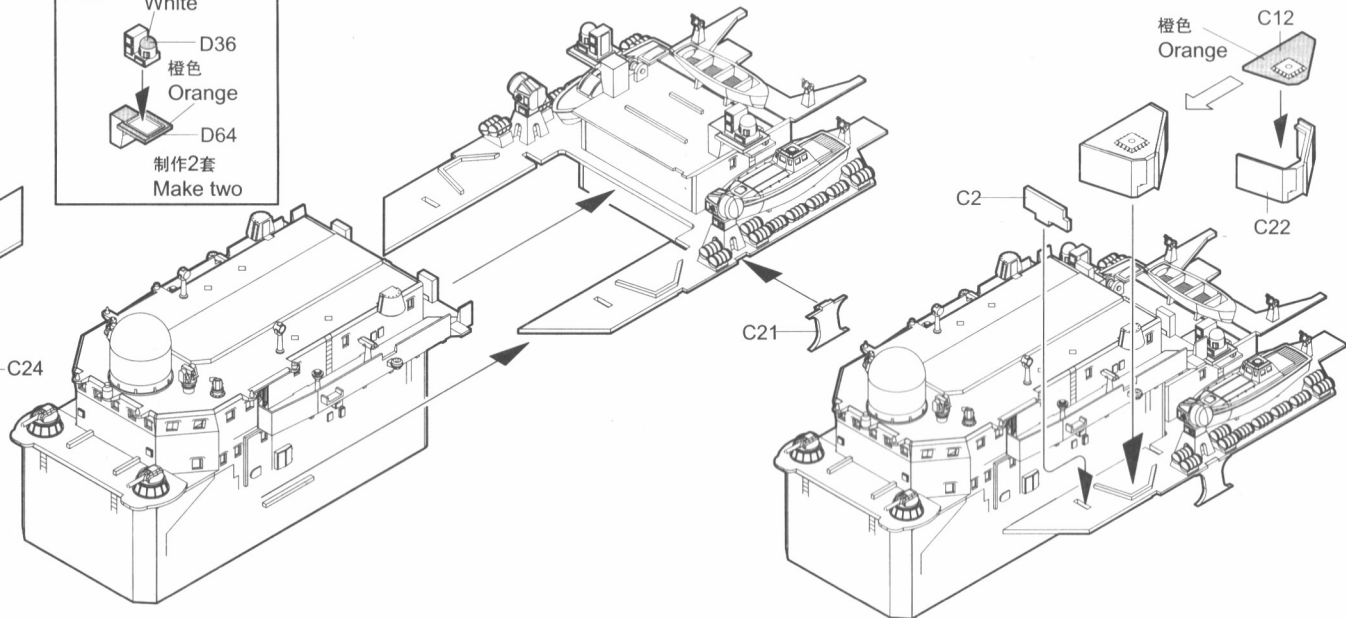
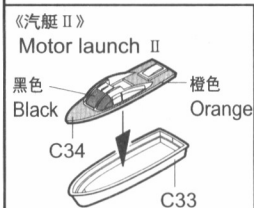
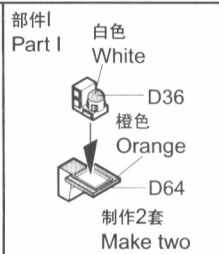
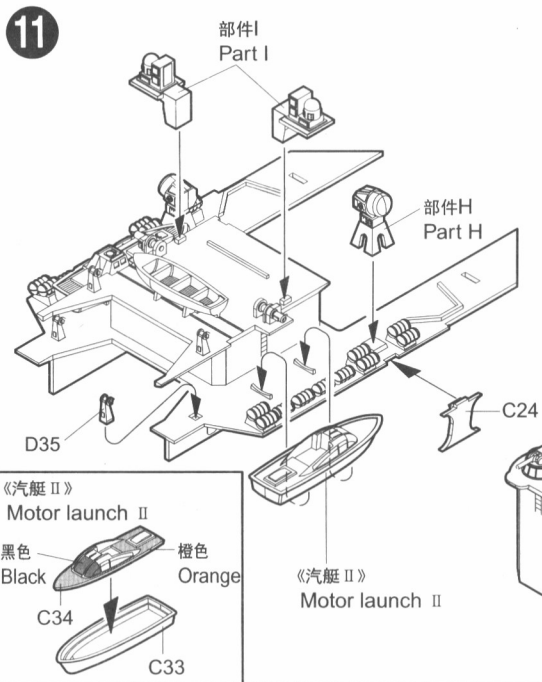
部件H  
Part H



制作2套  
Make two



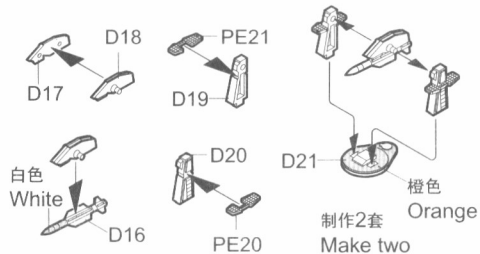
**11**



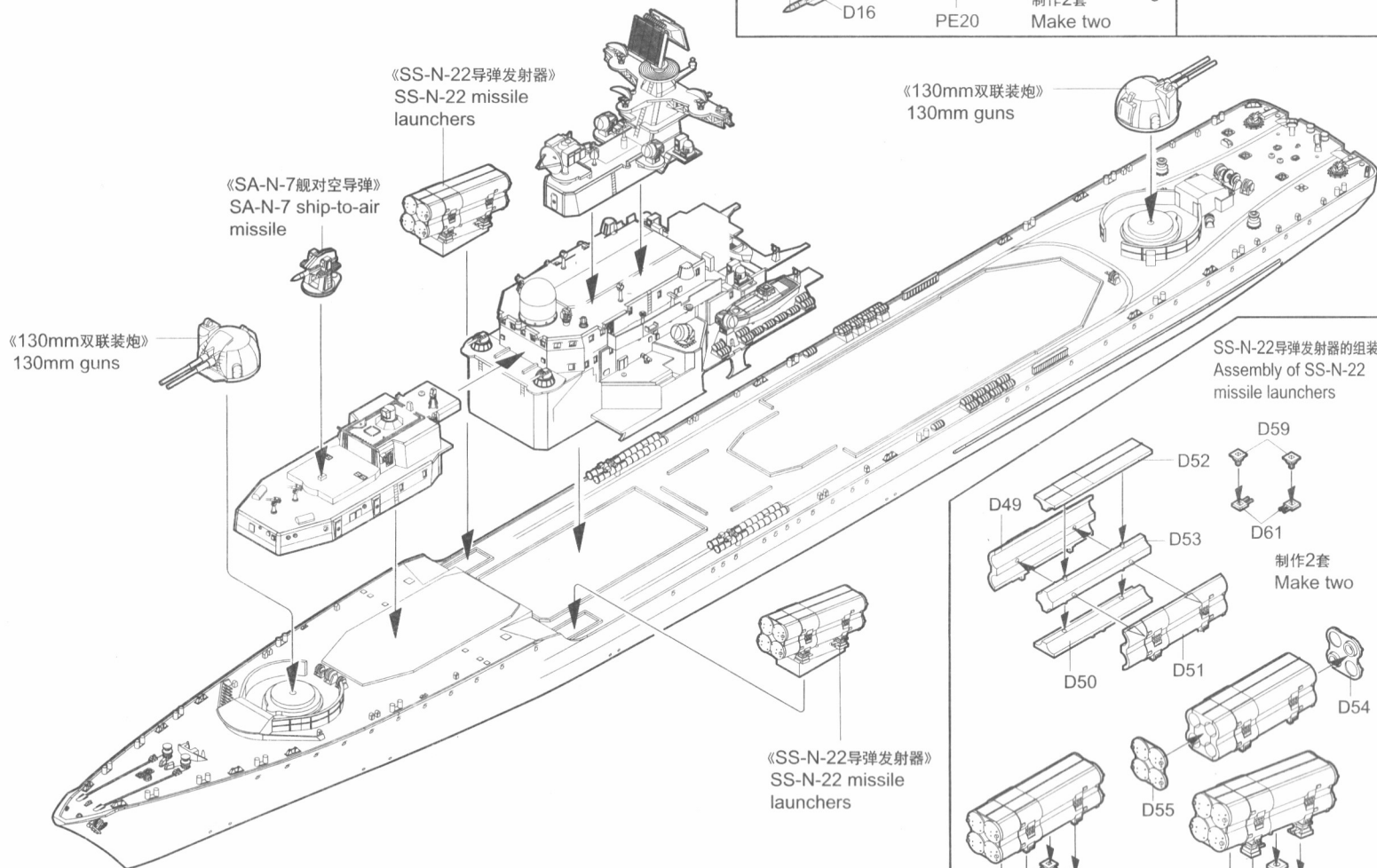
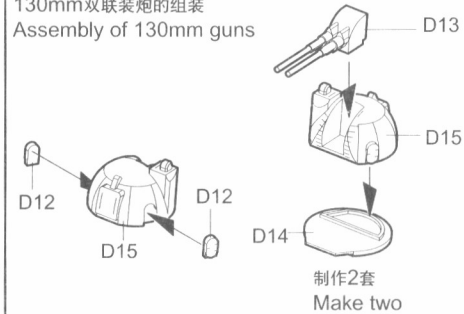




SA-N-7舰对空导弹的组装  
Assembly of SA-N-7 ship-to-air missile

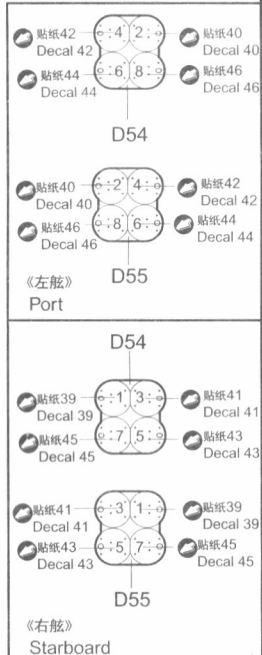
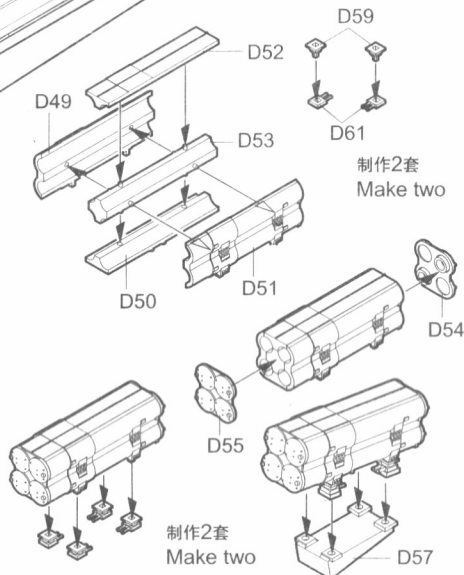


130mm双联装炮的组装  
Assembly of 130mm guns



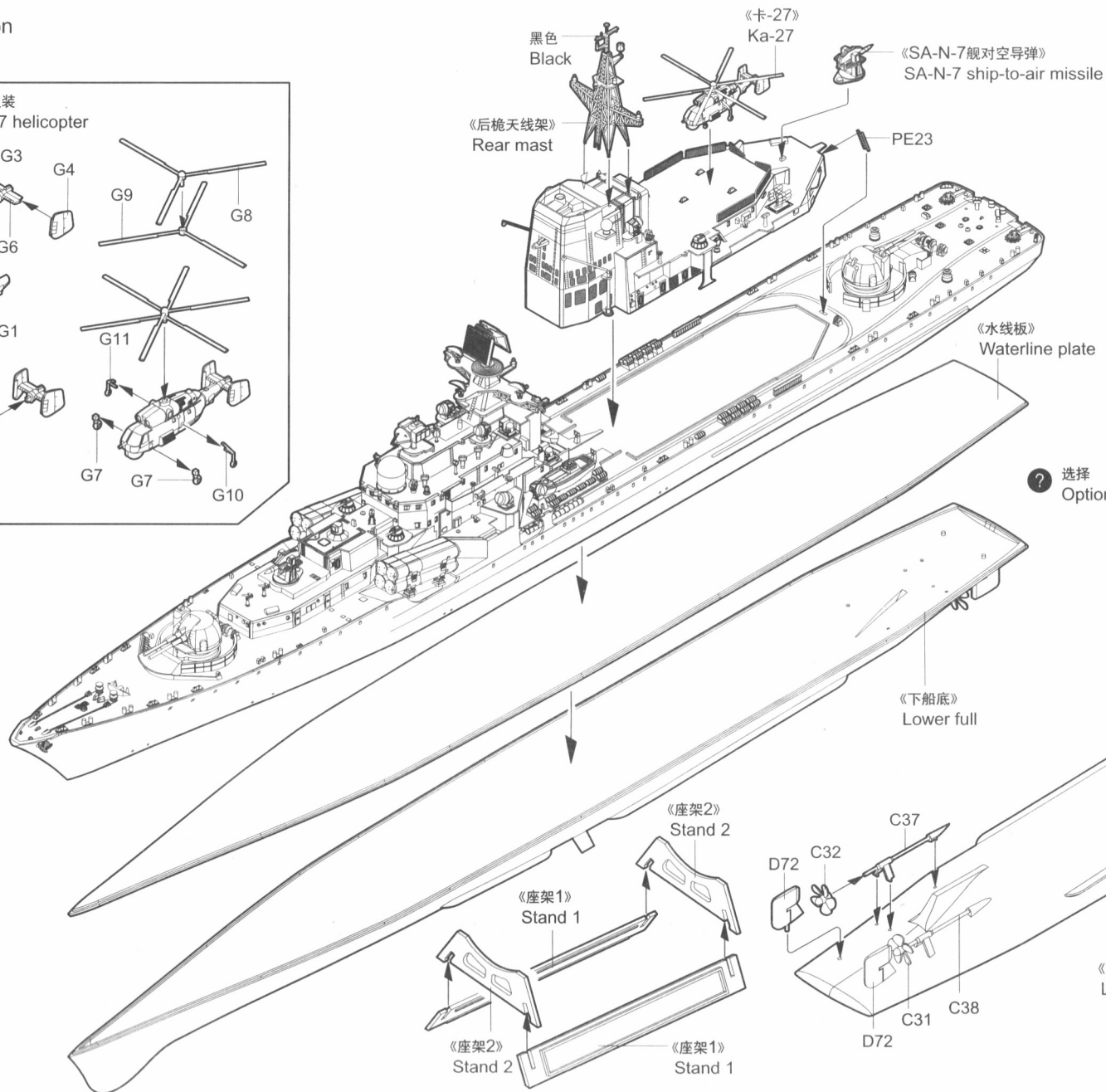
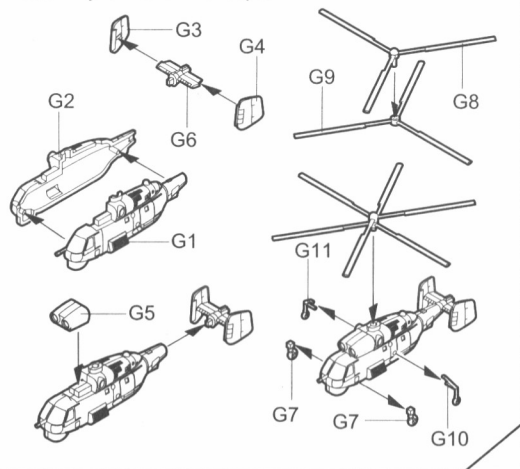
《130mm双联装炮》  
130mm guns

SS-N-22导弹发射器的组装  
Assembly of SS-N-22 missile launchers

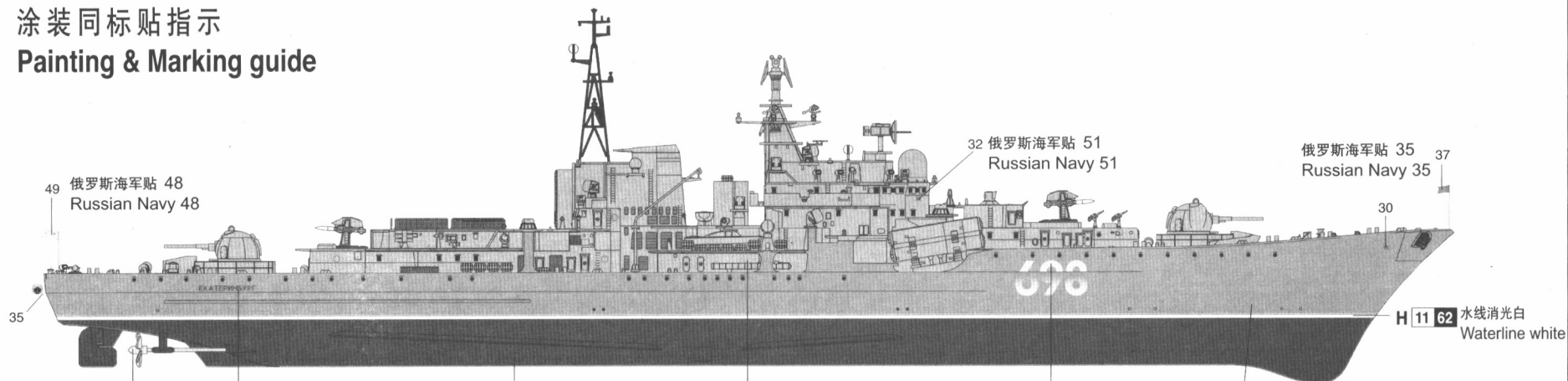


**16** 完成  
Completion

卡-27反潜直升机的组装  
Assembly of Ka-27 helicopter



# 涂装同标贴指示 Painting & Marking guide



H 10 10 铜色  
Copper

- 29
- 17 БОЕВОЙ
- 18 СТОЙКИЙ
- 19 ОКРЫЛЕННЫЙ
- 20 БУРНЫЙ
- 21 ГРЕМЯЩИЙ
- 22 БЫСТРЫЙ
- 23 РАСТОРОПНЫЙ
- 24 БЕЗБОЯЗНЕННЫЙ
- 25 БЕЗУДЕРЖНЫЙ
- 26 БЕСПОКОЙНЫЙ
- 27 НАСТОЙЧИВЫЙ
- 28 БЕССТРАШНЫЙ

H 17 29 舰底红  
Hull red

11 + 5 浅灰色  
98%+2% Light gull gray

11 + 2 浅深灰  
95%+5% Light gull gray

<p>苏联海军 Soviet Navy</p> <p>白色 White</p> <p>灰色 grey FS36118</p> <p>灰色 Grey(80%) + 钴青蓝色 Cobalt blue(20%) FS36118</p>	<p>俄罗斯海军 Russian Navy</p> <p>灰色 Dark grey FS36320</p>
--	---

- 13
- 1 720
- 2 719
- 3 670
- 4 795
- 5 429
- 6 676
- 7 420
- 8 754
- 9 435
- 10 620
- 11 610
- 12 434
- 14+15 136
- 14+16 137

H 14 59 橘色  
Orange

11 + 28 重金属灰  
90%+10% Metal gray

