



# Avro Lancaster B Mk.I

## Nose Art Kit

### History of the Avro Lancaster

**F**rom failure to success. The four-engine Avro type 683 Lancaster was developed from the disappointing twin-engine Manchester, which suffered from engine fires caused by its unreliable Rolls Royce Vulture engine-installation.

However, the basic Manchester airframe was of sound design. A logical solution was to increase the wingspan and replace the two Vultures with four Merlin engines. The engine-installation originally developed by Rolls-Royce for the Beaufighter II, was quickly adapted and fitted in graceful underslung nacelles. The prototype BT308 made its first flight on January 9th, 1941 and it soon proved to be an excellent aircraft with good handling and high load capability. Initially designated Manchester III, it was soon renamed Lancaster. The general outline of the Lancaster remained the same throughout production, apart from the MK II which used Bristol Hercules radial engines, in case a shortage of the Merlin should arise. The Mk I and III were similar, differing only in the type of

Merlin engine fitted. In the case of the Mk III, the Packard built Merlin 28 was utilised. The Lancaster began to equip bomber squadrons in early 1942, where it quickly became the backbone of RAF Bomber Command.

The type was used in many famous raids, such as on the M.A.N. factory in Augsburg, the spectacular Dambusters Raid on the Ruhr Valley dams, and sinking the "Tirpitz" to name but a few. It became famous for its use in high accuracy bombing operations by 617 squadron. Its 33-foot-long bomb bay enabled it to carry high loads as well as the spinning "Upkeep" mine used to break the Ruhr dams. Specially adapted aircraft could carry the massive 12,000 lb "Tallboy" and 22,000 lb "Grand Slam" earthquake bombs. At the end of the war it was also used for food dropping sorties for the starving Dutch population and transporting the many prisoners of war back home from Germany. Postwar Lancasters were used for testing jet engines and in-flight refueling system. As a bomber it was gradually replaced, but it found a useful role in Coastal Command until the last one was withdrawn in October 1956. The RCAF and French l'Aéronavale, however, continued to use the Lancaster until the mid-sixties. A total of 7,377 Lancasters were built in the UK and Canada.



BE CAREFUL



REMOVE



GLUE TOGETHER



PLEASE WAIT FOR A FEW MINUTES UNTIL DRY



MAKE 2 PIECES



DRILL HOLE



DO NOT GLUE



INSTANT GLUE FOR METAL



BEND



FILL HOLE



SEQUENCE OF WORK



OPTIONAL



USED COLOUR



APPLY DECAL



MARKING OPTION

#### CAUTION

When using both glue and paint, do not use these near an open flame, due to the flammable properties of these items.

The symbols provided, such as 'X', refer to the basic colours of parts, although a more comprehensive list is supplied for your use for Tamiya, Mr Hobby and AK-Interactive codes.

When removing parts from sprues, take extreme care. Consider correct tools such as Xuron Sprue Cutters

Please check the symbology on the left and familiarise yourself before building this model kit.

In cooperation with:



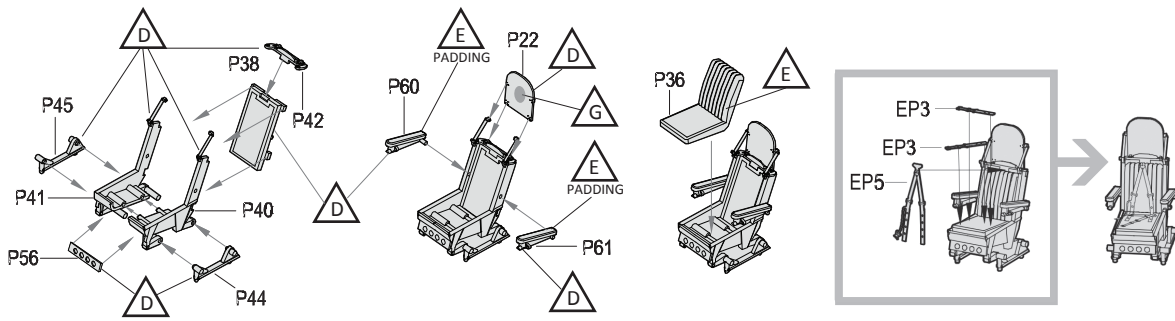
[www.ak-interactive.com](http://www.ak-interactive.com)



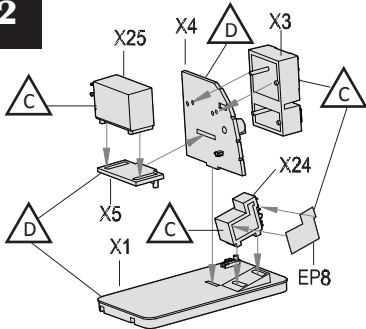
Large Scale Modeller

[www.largescalemodeller.com](http://www.largescalemodeller.com)

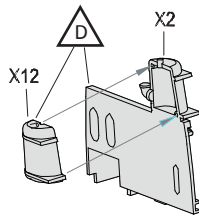
1



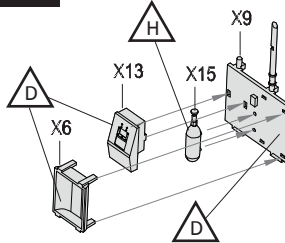
2



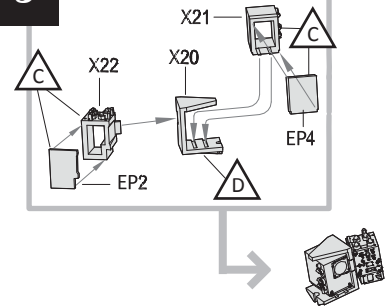
3



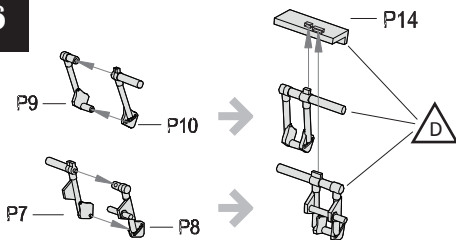
4



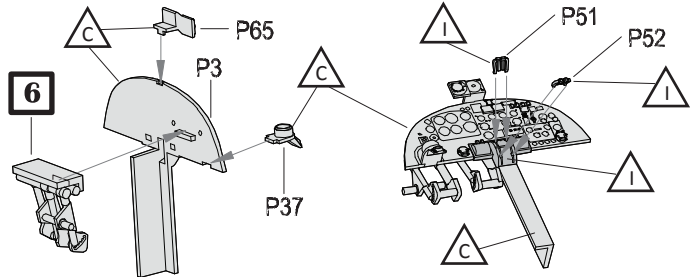
5



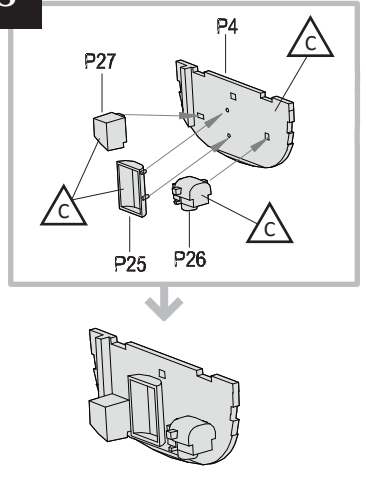
6



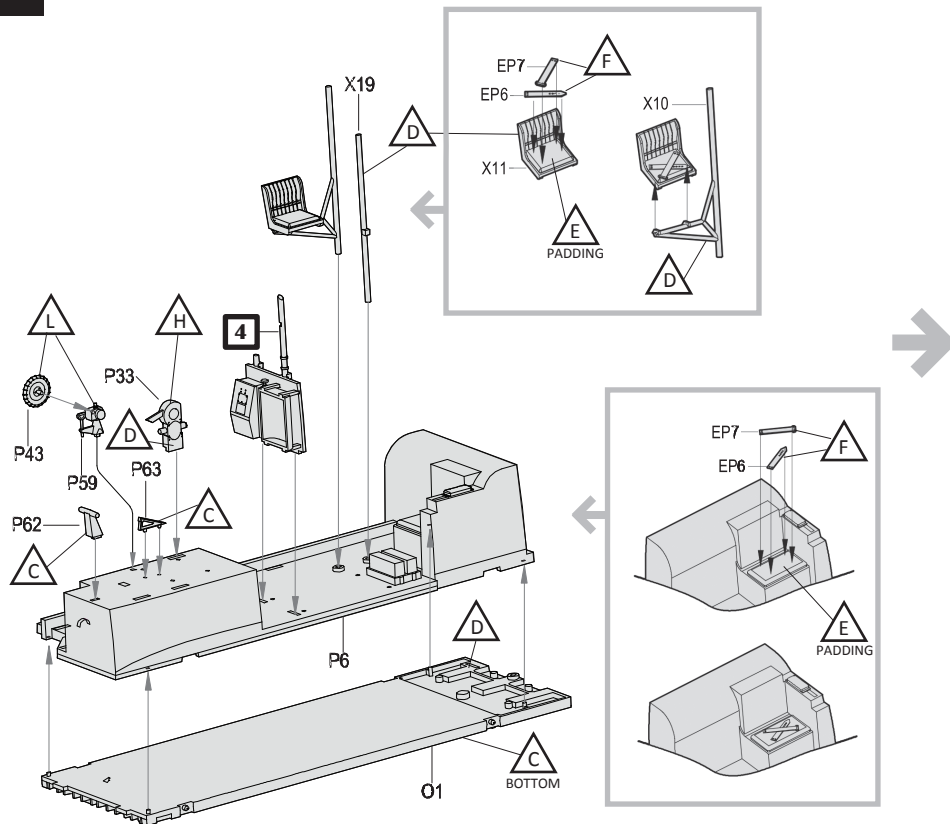
7



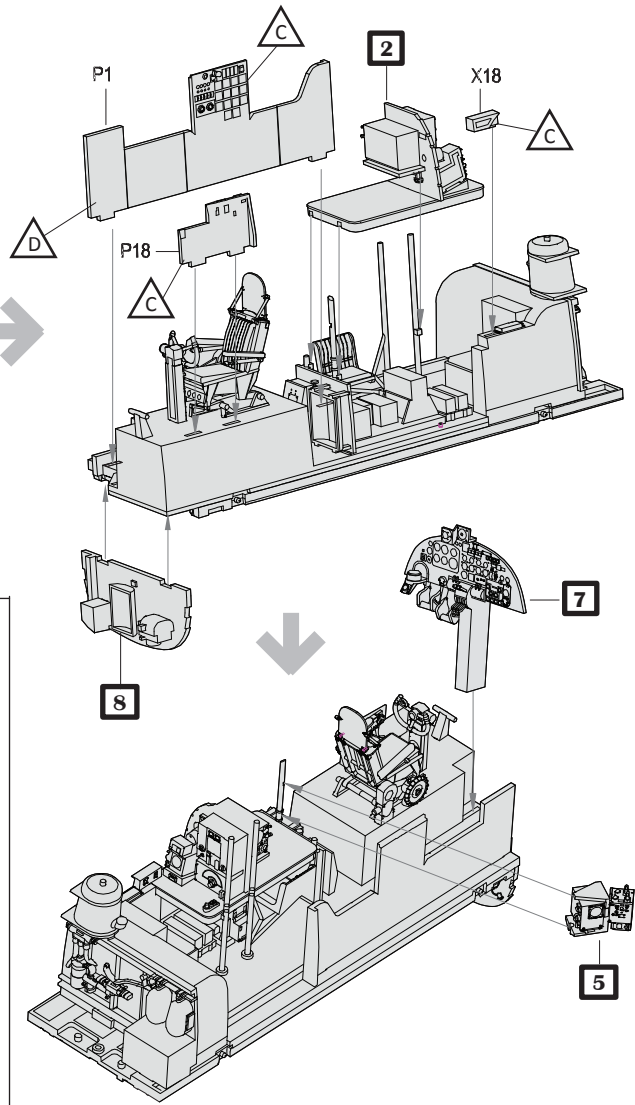
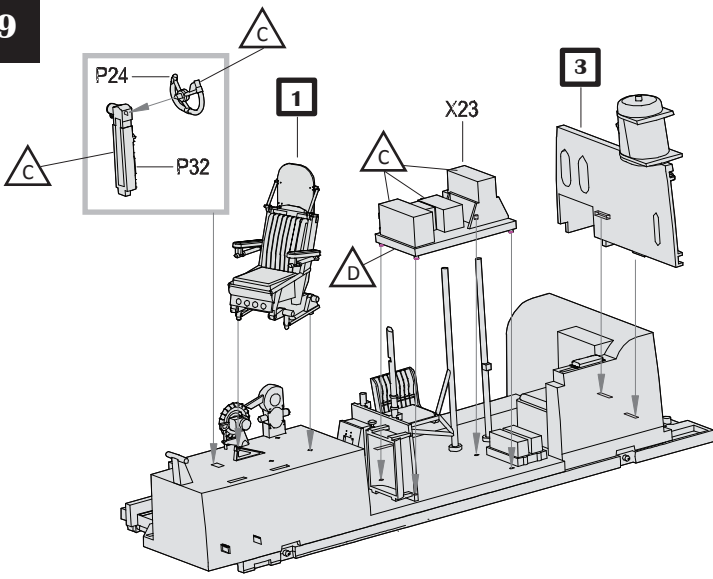
8



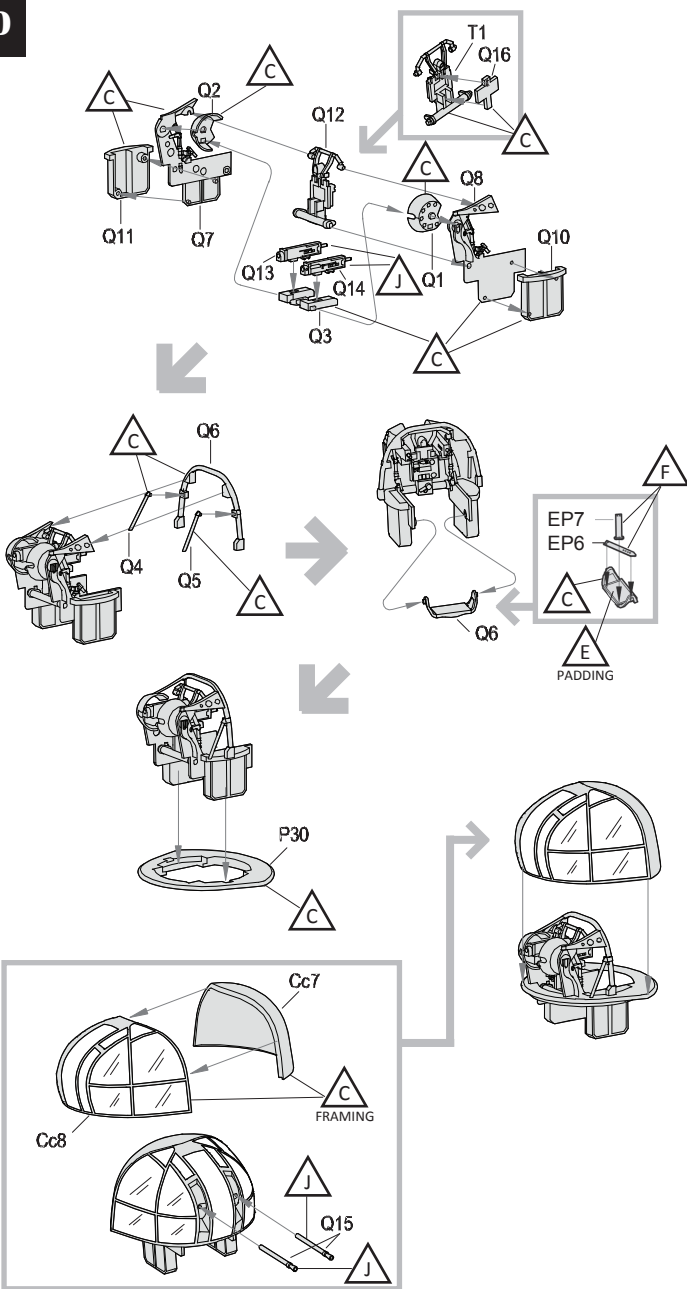
9



9

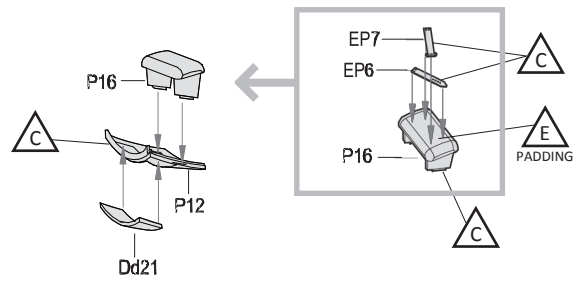


10



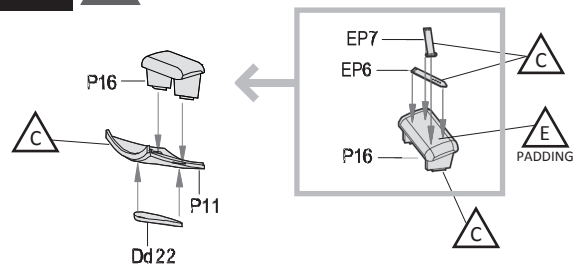
11-1

A B C

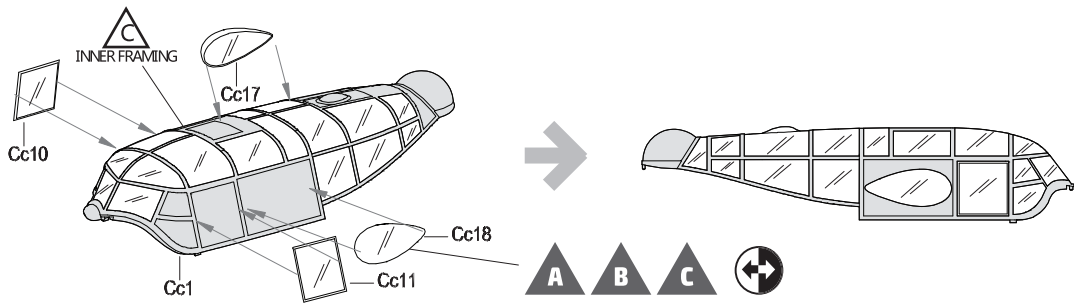


11-2

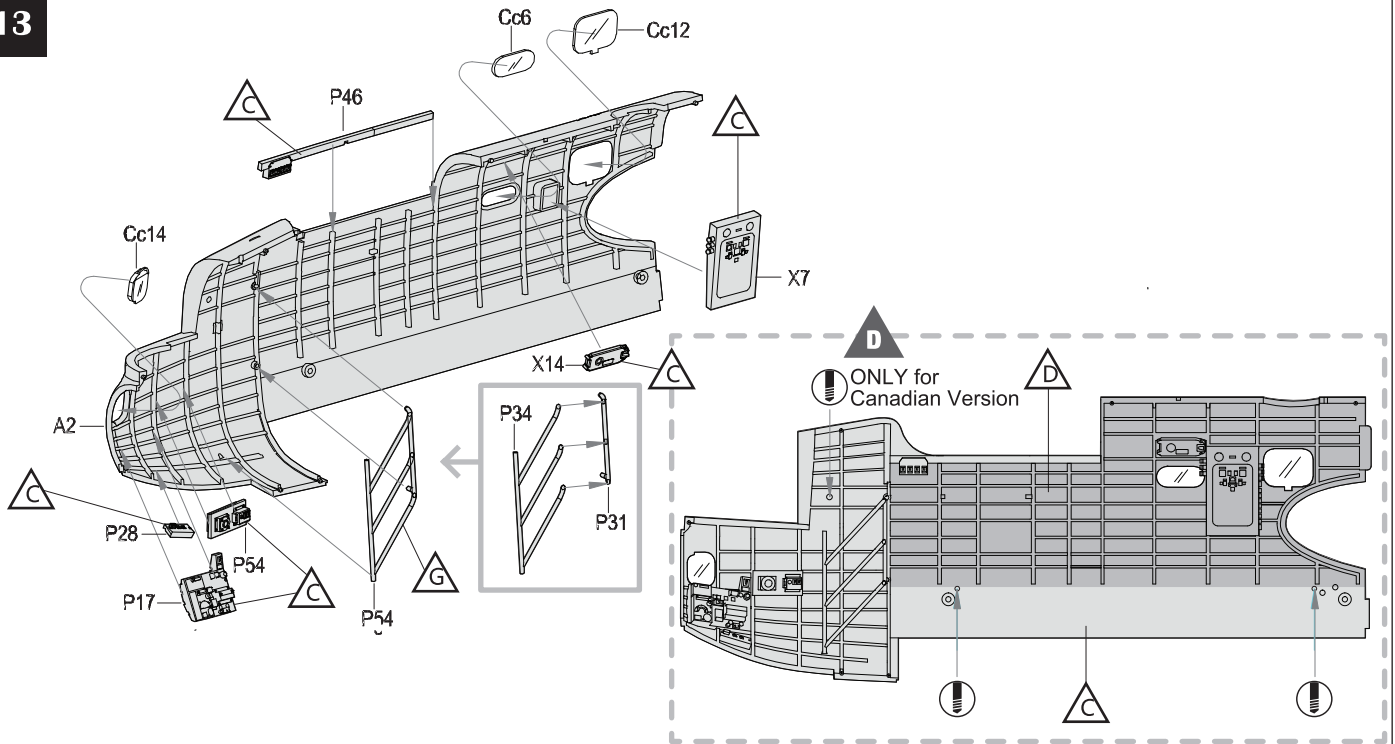
D



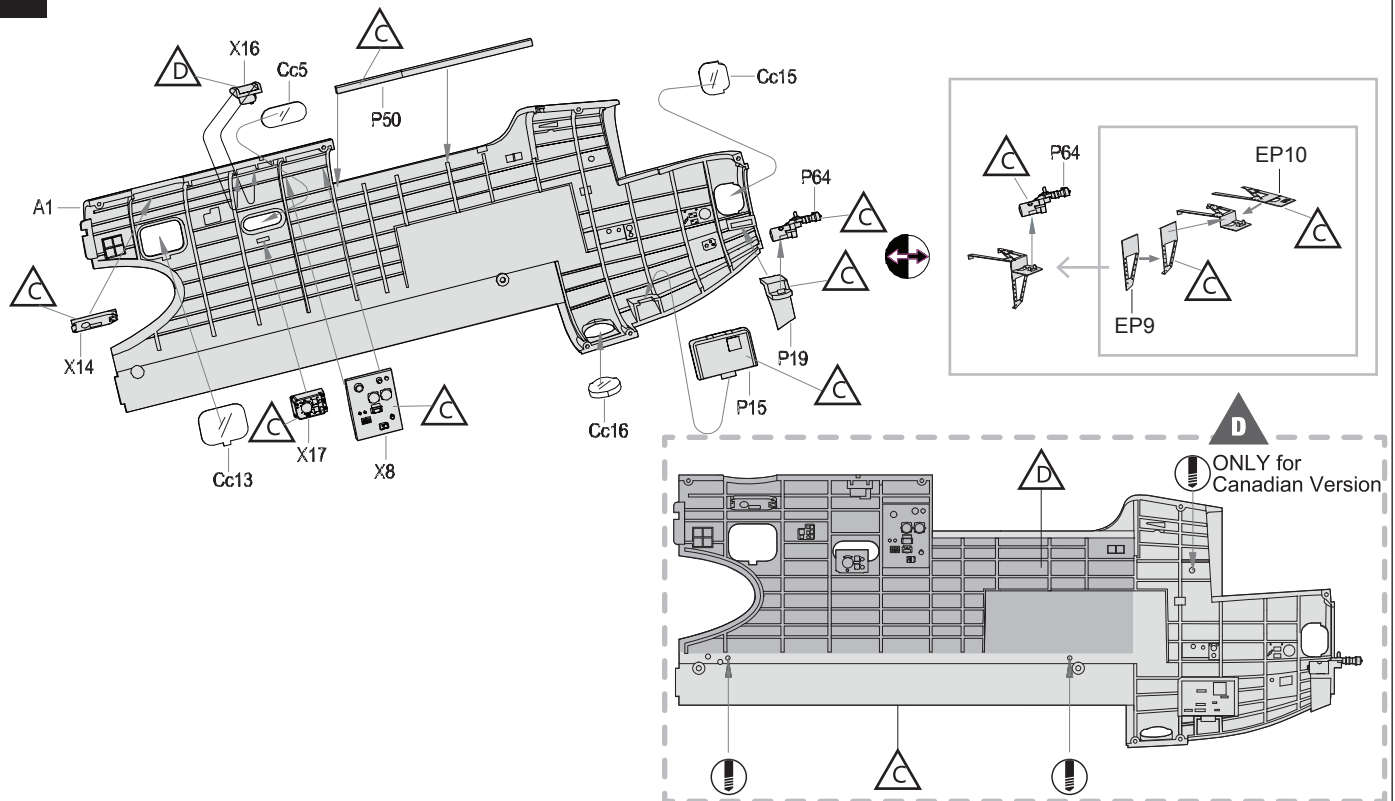
12



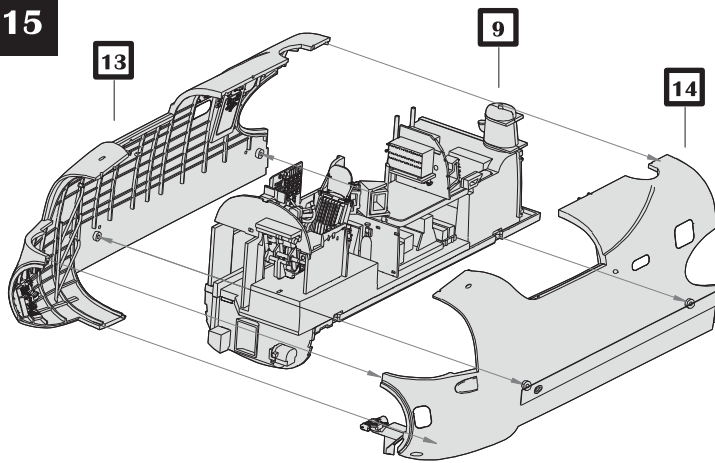
13



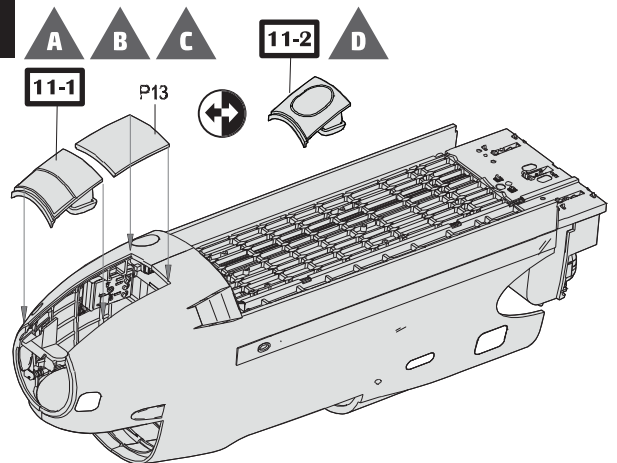
14



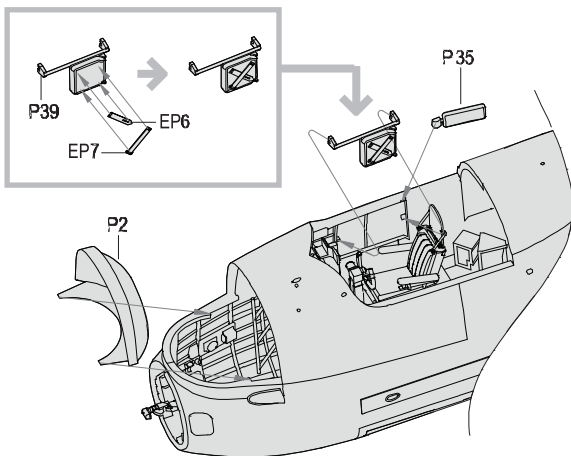
15



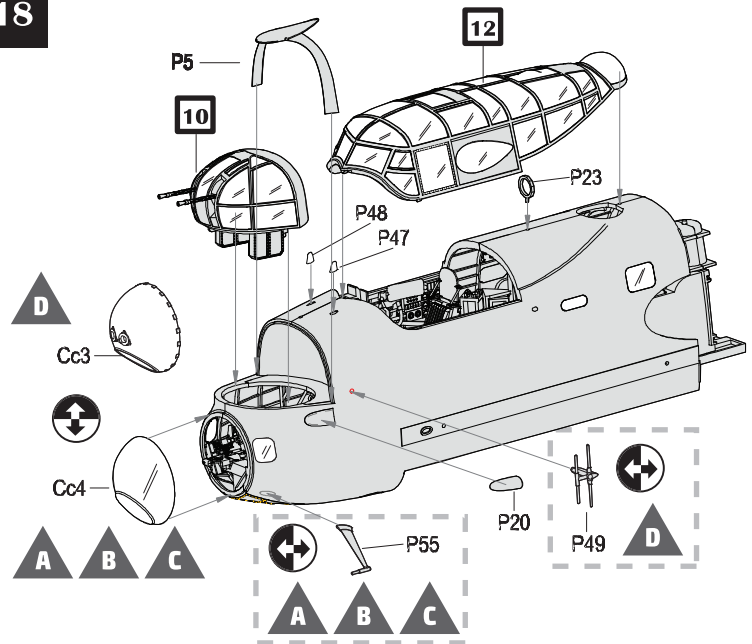
16



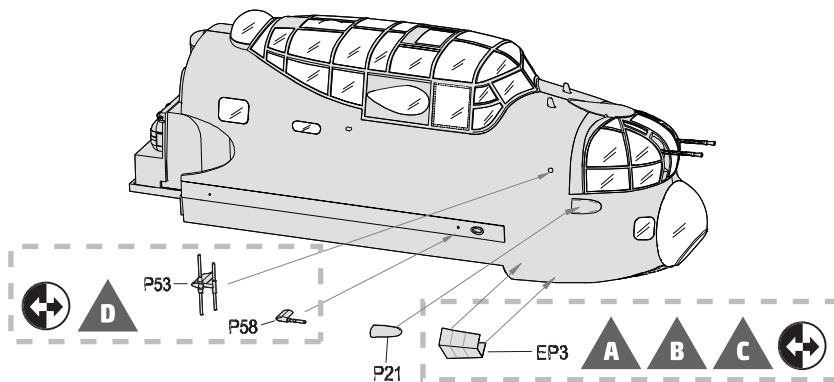
17



18

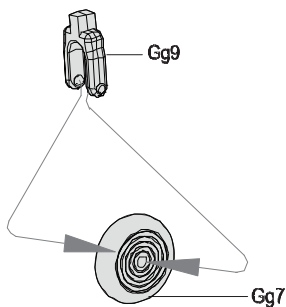


19

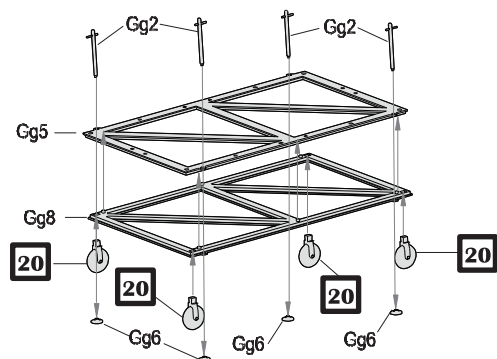


20

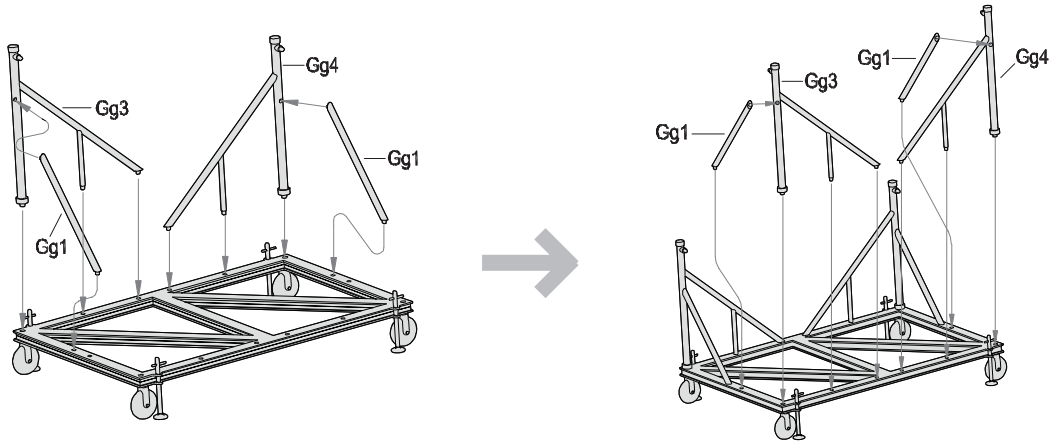
x4



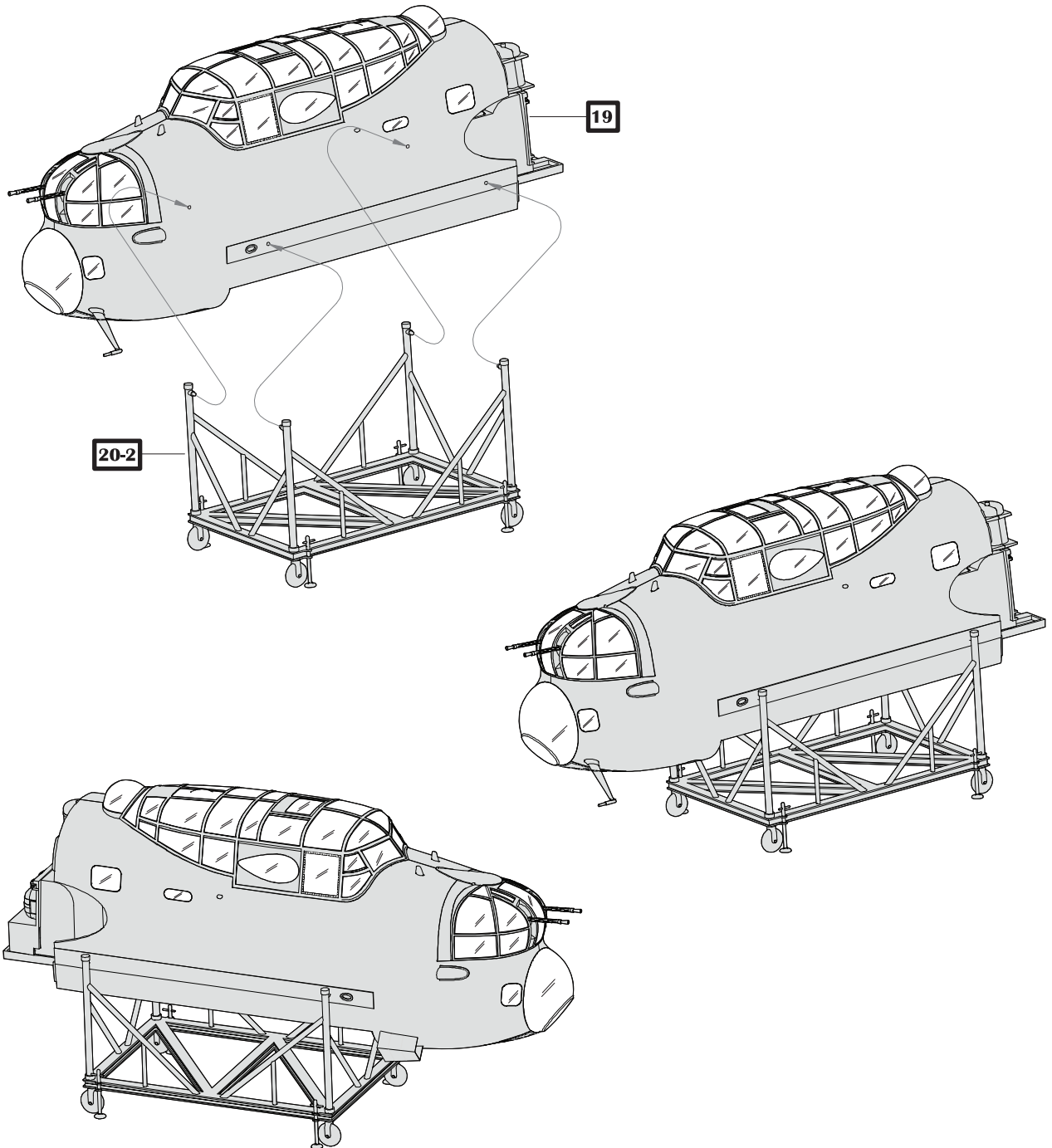
20-1



20-2

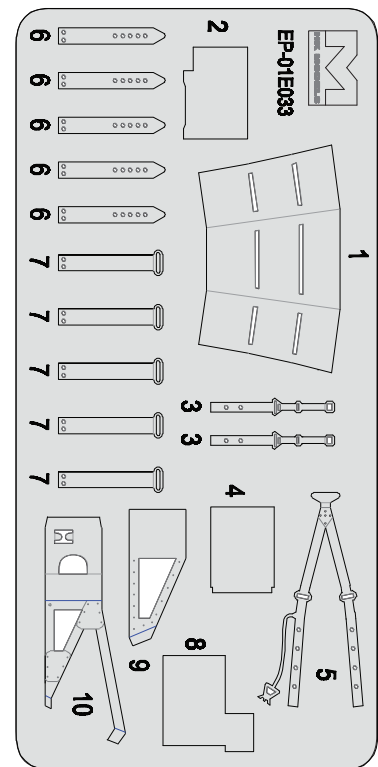
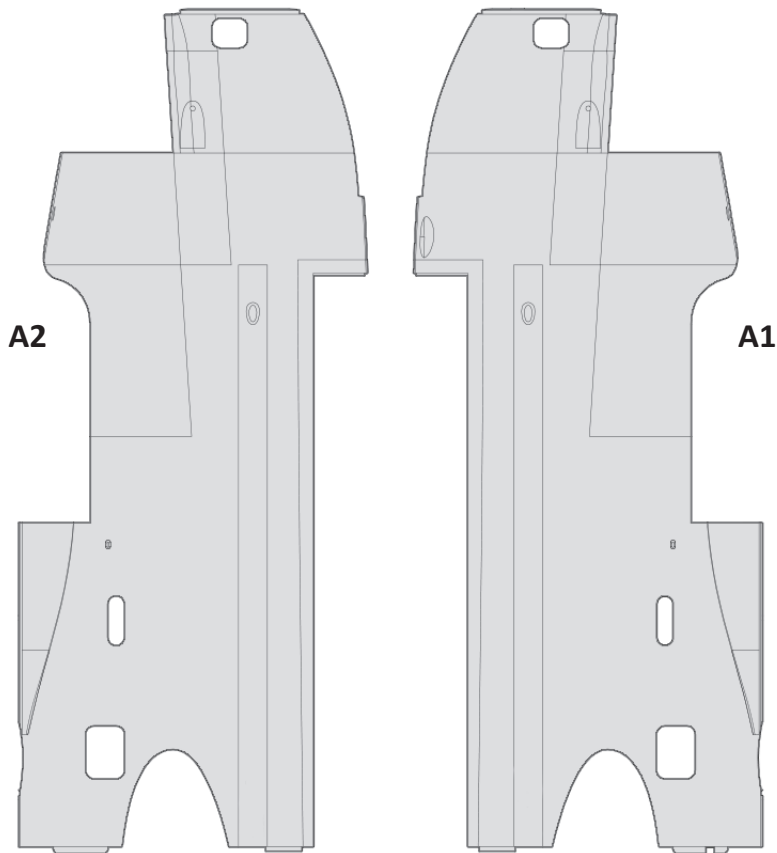
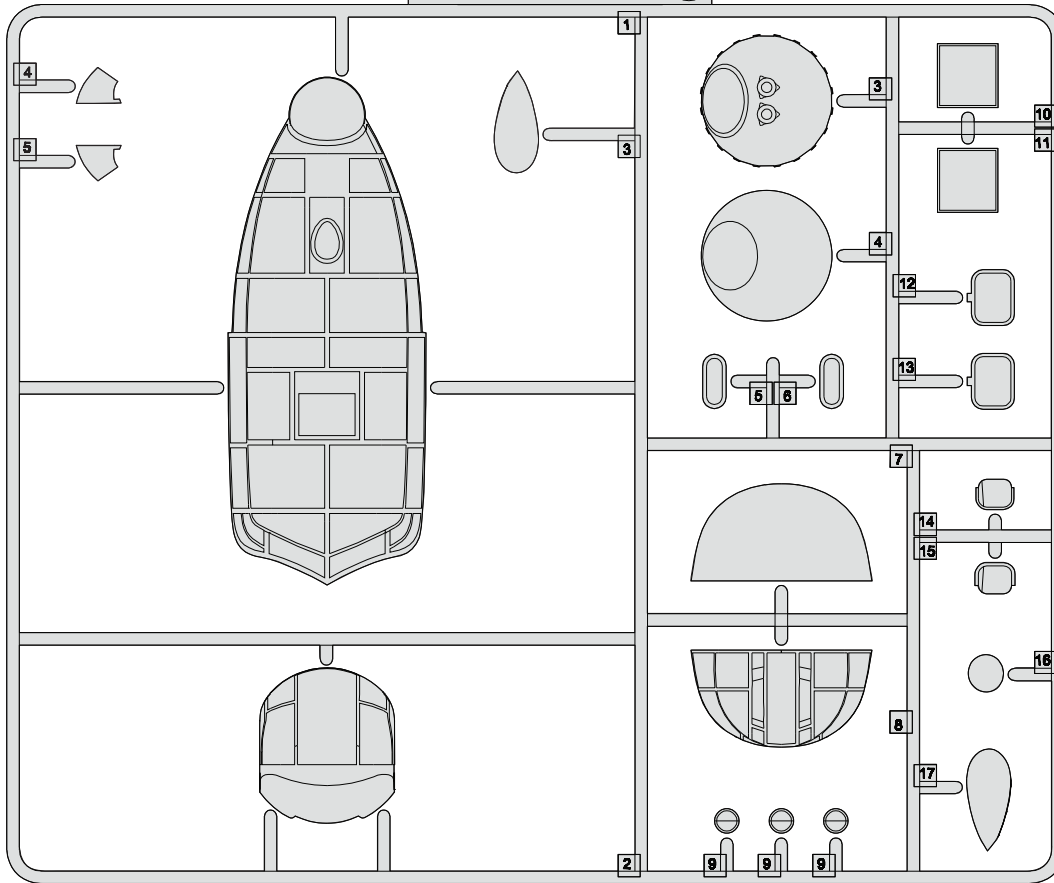


21

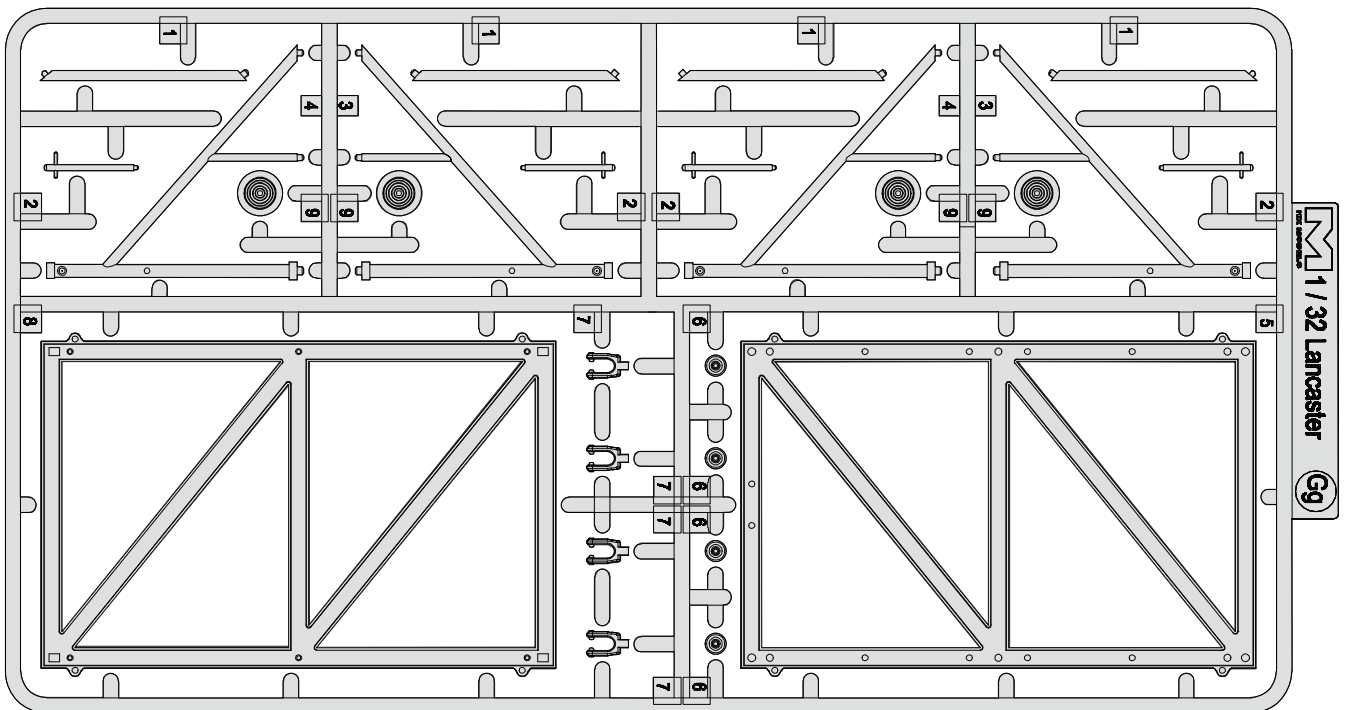
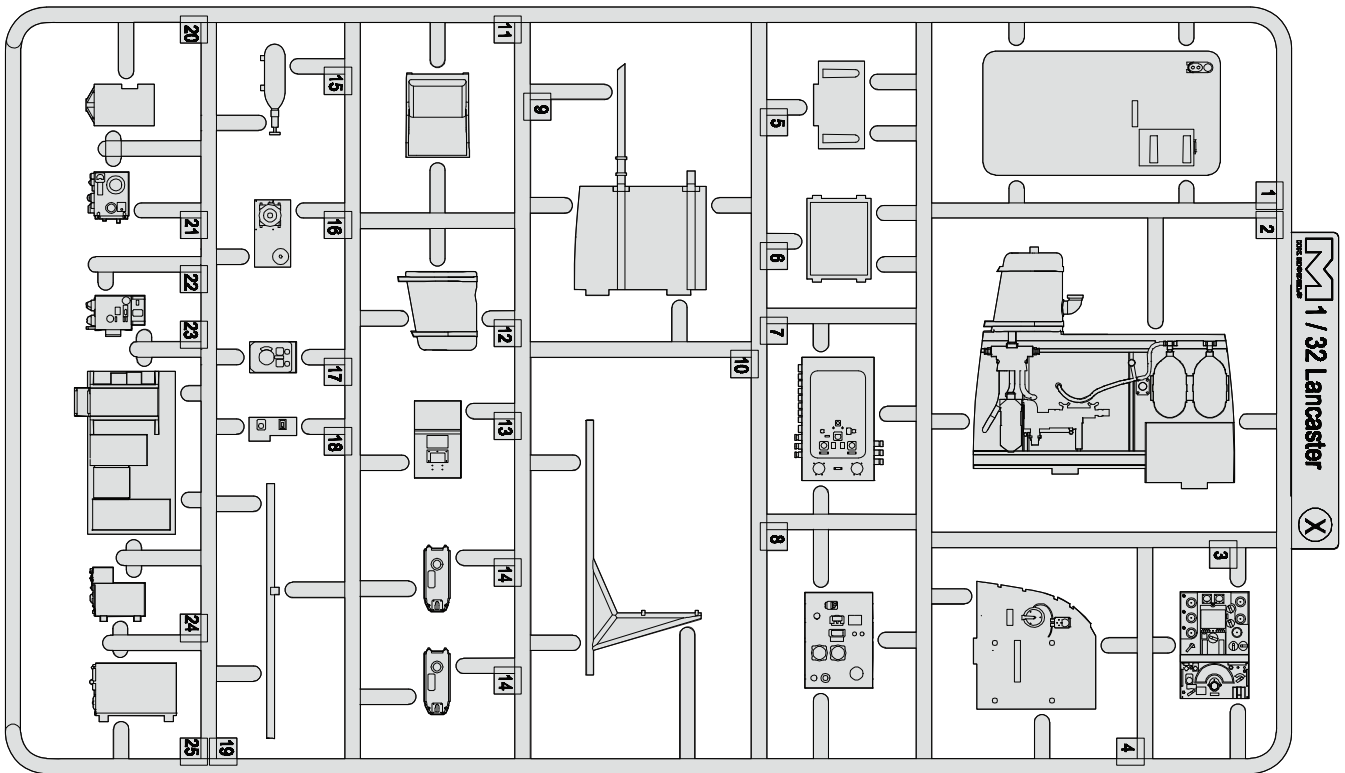


# Parts

M 1 / 32 Lancaster Cc

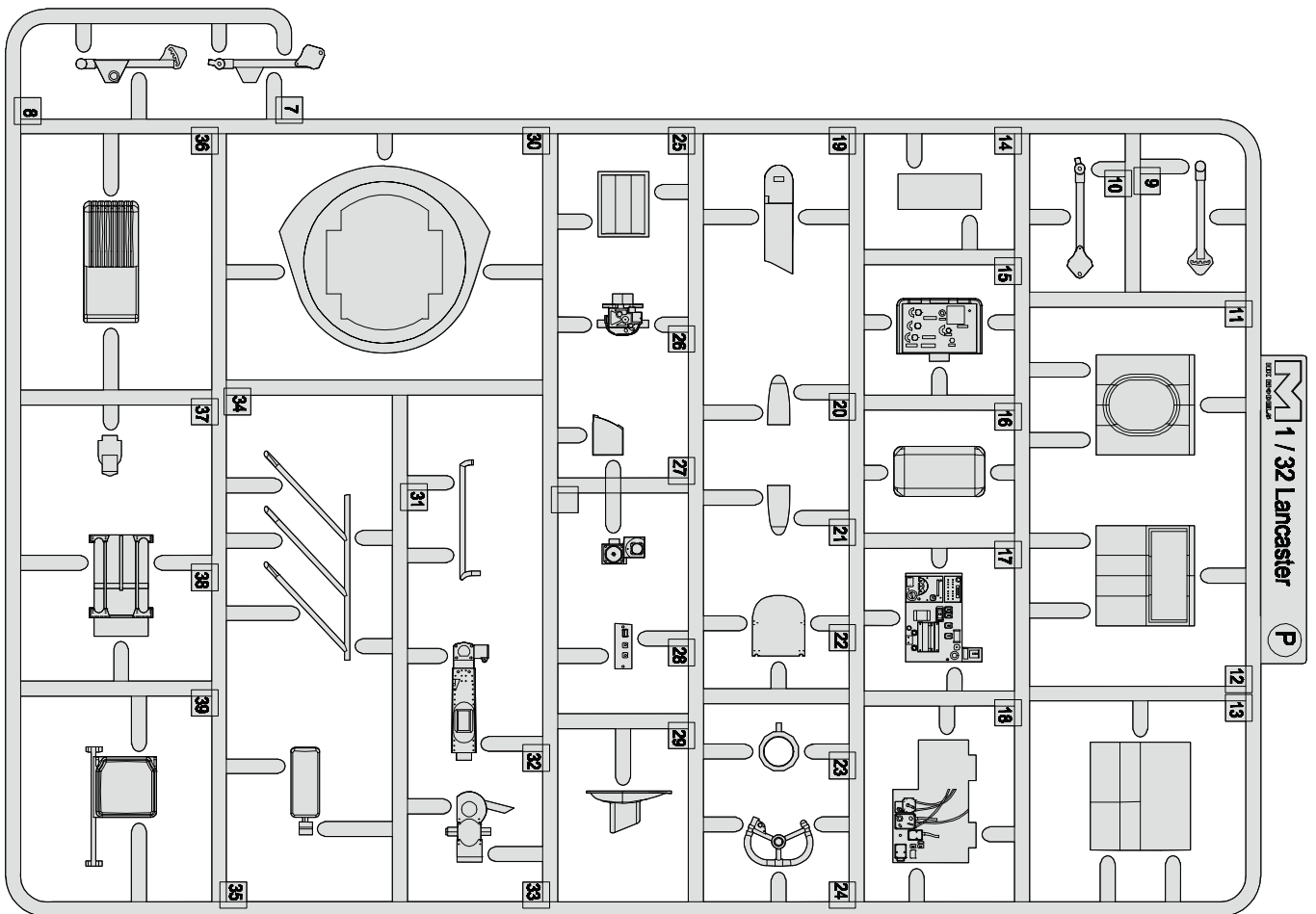
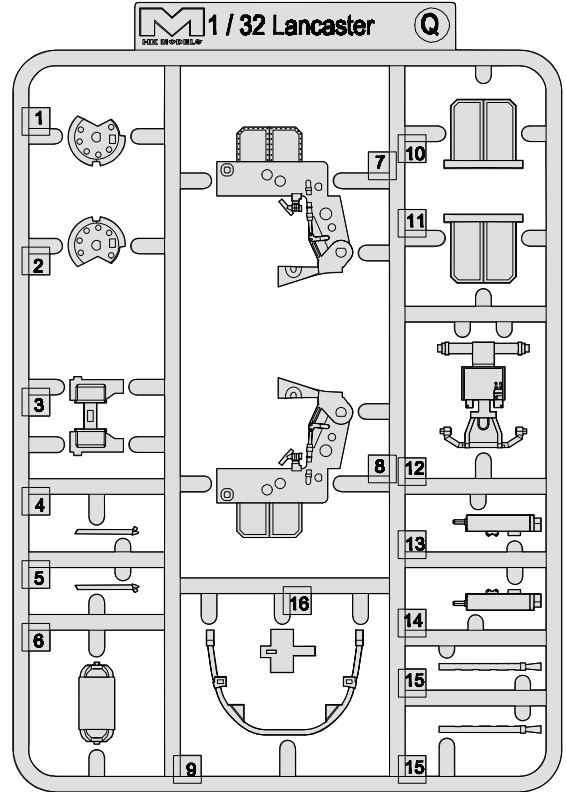
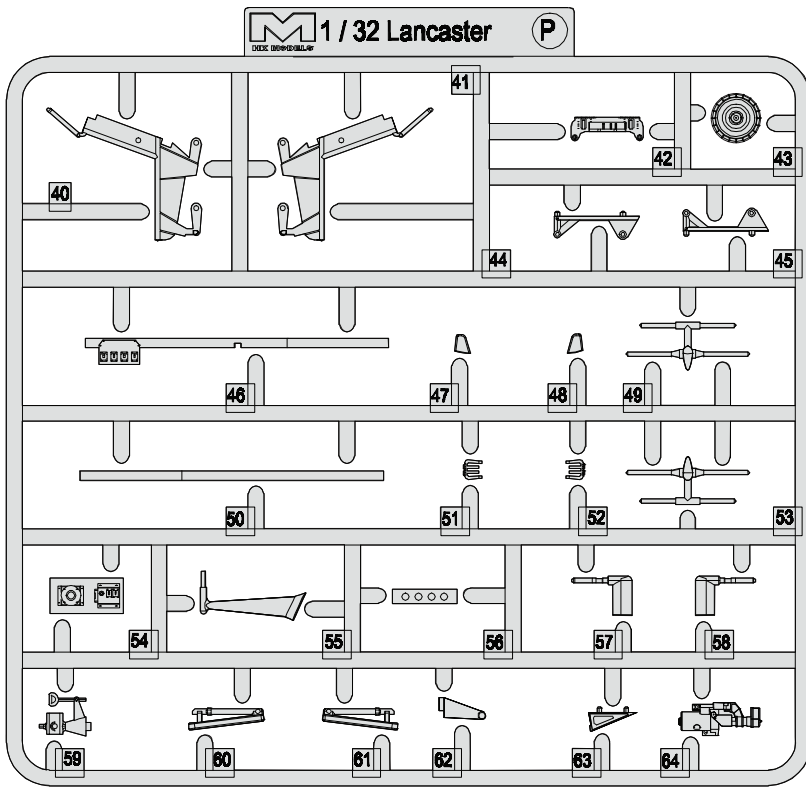


# Parts

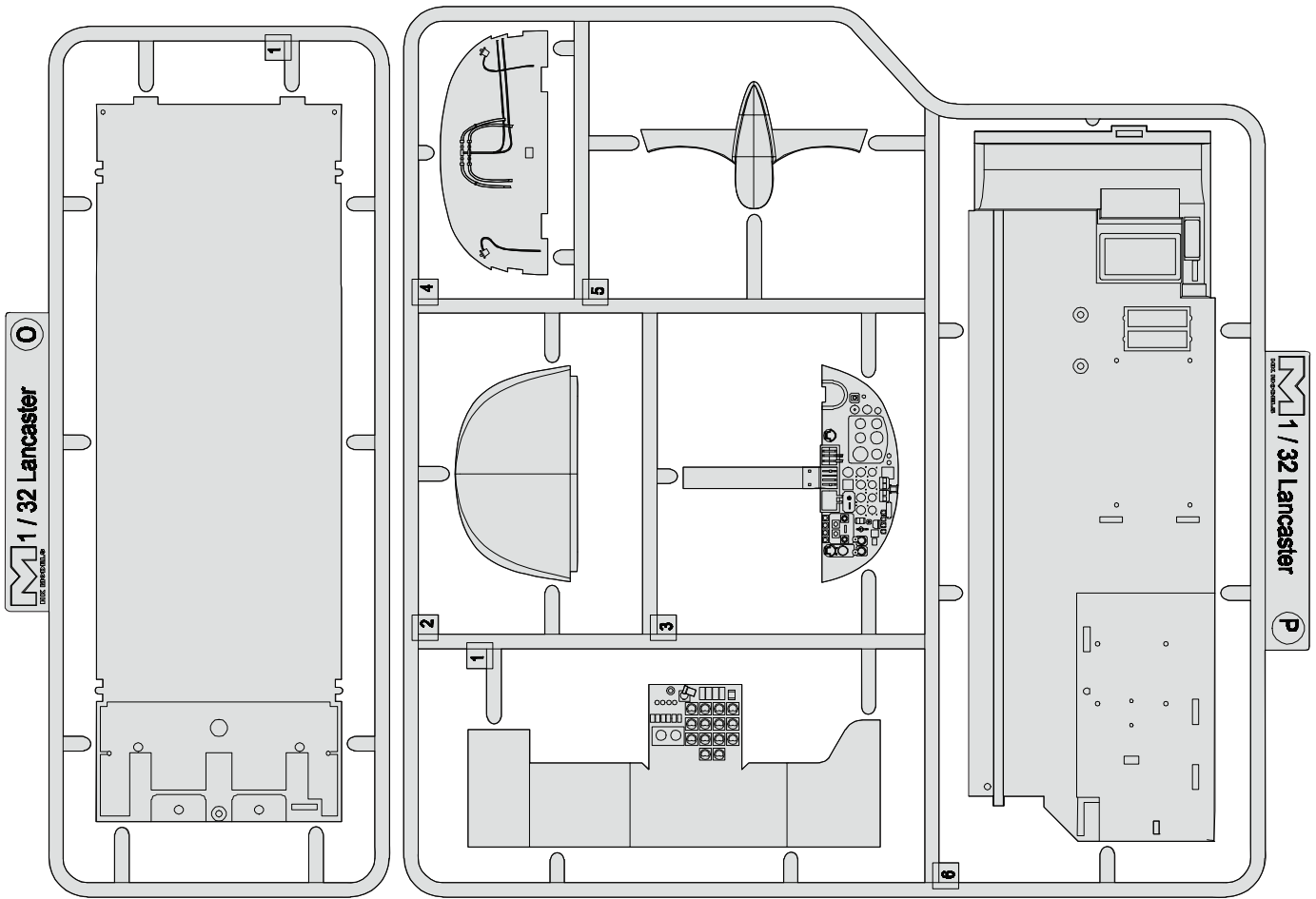




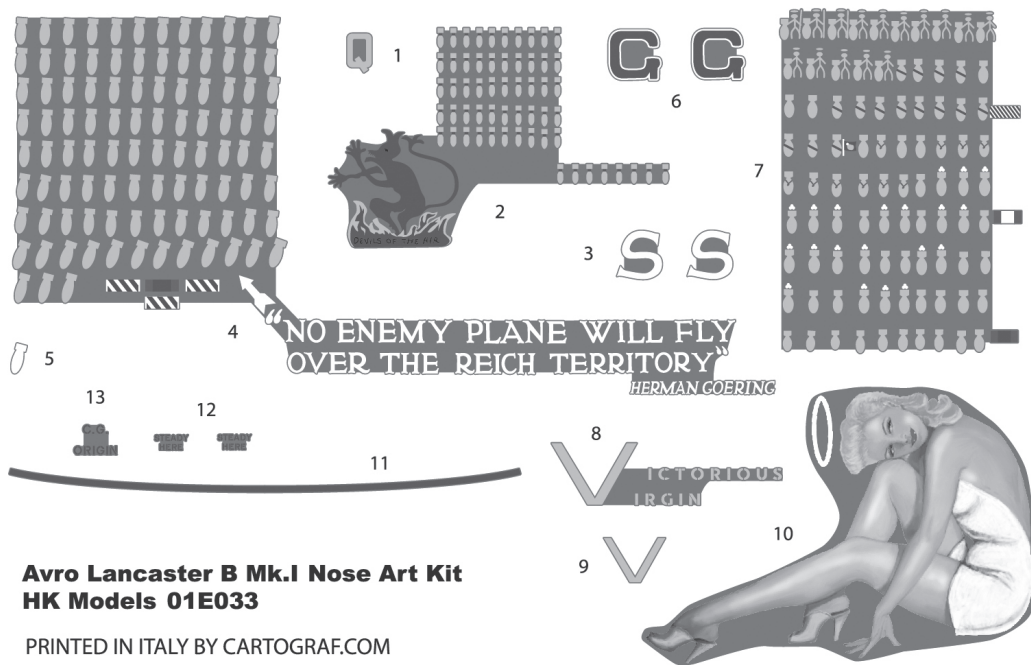
# Parts



# Parts



# Decal images



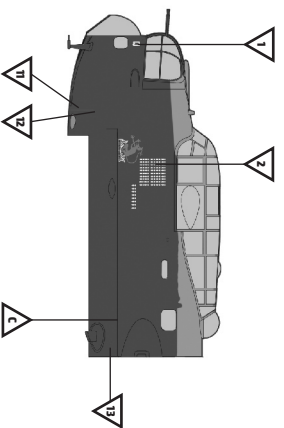
**Avro Lancaster B Mk.I Nose Art Kit**  
**HK Models 01E033**

PRINTED IN ITALY BY CARTOGRAF.COM

# Paint guide

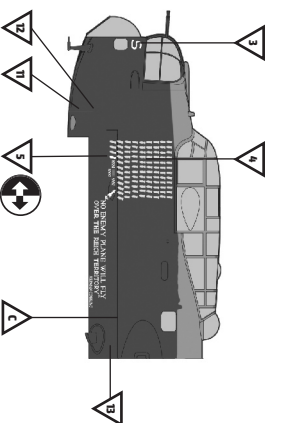
**A**

B Mk.I, R5868/OL-Q, No.83 Sqn, RAF, Wryton, UK, June 1943



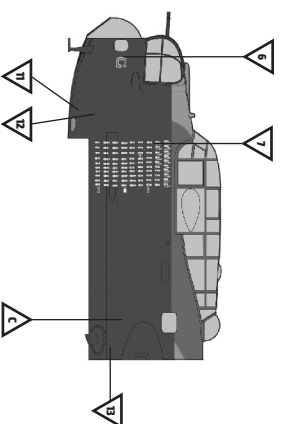
**B**

B Mk.I, R5868/PO-S, No.467 Sqn. (RAAF), Waddington, UK, May 1944



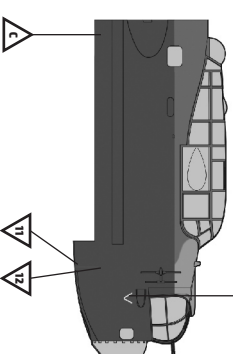
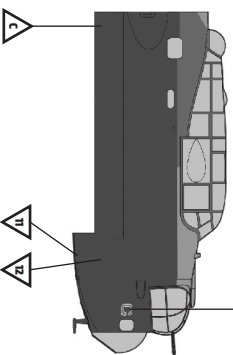
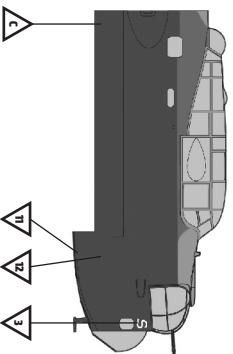
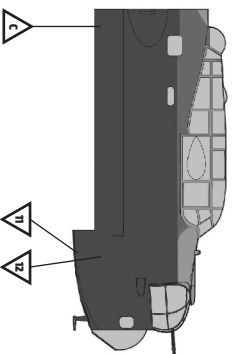
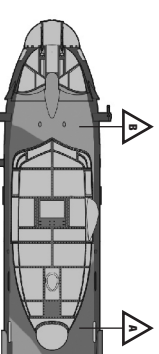
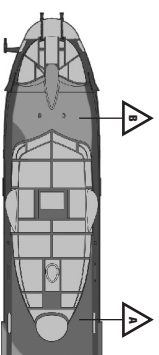
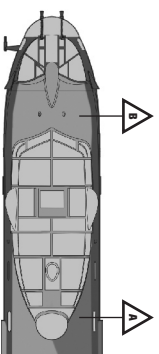
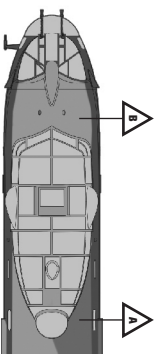
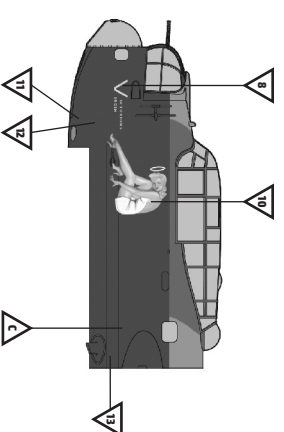
**C**

B Mk.I, W4783/AR-G, No.460 Sqn. (RAAF), Binbrook, UK, May 1944



**D**

B Mk.I, RFT28/QB-V, No.424 Sqn. (RCAF), Skipton-on-Swale, UK, spring 1945



**Key**

**AK Interactive**

**Tamiya**

**Gunze/Mt.Hobby**

A: RAF Dark Green

RC286

XF-81

C361

B: RAF Dark Earth

RC287

XF-524 + XF-32 + XF-511 + XF-21

C369

C: RAF Night

RC071

XF-69

C125



# Colour Guide

Key	AK Interactive	Tamiya	Gunze/Mr.Hobby
A: RAF Dark Green	RC286	XF-81	C361
B: RAF Dark Earth	RC287	XF-52:4 + XF-3:2 + XF-51:1 + XF-2:1	C369
C: RAF Night	RC036	XF-69	C125
D: RAF Interior Green	RC293	XF-71	C364
E: Dark Green Leather	AK2063	X-5	H6
F: Tan	RC019	XF-78	H27
G: Flat Yellow	RC008	XF-3	H413
H: Flat Red	RC006	XF-7	H13
I: Aluminium	AK479	XF-16	MC218
J: Gunmetal	RC015	X-10	MC214
K: Olive Drab	RC259	XF-62	H52
L: Steel	AK476	XF-56	MC213
M: Brass	AK475	X-12	MC219
N: Flat White	RC004	XF-2	H11
O: Rubber Black	RC022	XF-85	H77

In cooperation with:



[www.ak-interactive.com](http://www.ak-interactive.com)



Large Scale Modeller  
[www.largescalemodeller.com](http://www.largescalemodeller.com)

General kit help/reference: **Large Scale Modeller**  
Illustration, manual layout and format: **HK Models, Tomek Wajnkaïm & AK-Interactive**  
Manual and assistance: **AK-Interactive**  
Introductory text: **Cees Broere**