

# THE LOCKHEED F-117A NIGHTHAWK

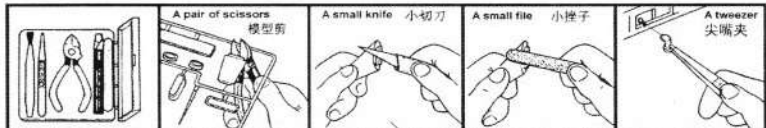
The Lockheed F-117A Nighthawk is the result of a long and very secret development program dating back to the early 1970's. Numerous attempts and tests were conducted to see if an aircraft could be designed to hide from radar observation. The Lockheed U-2 was painted with a kind of paint which can absorb the wave of radar. The Lockheed SR-71 also had the paint which can be against the shape of radar and absorb the wave of radar. The production F-117A made its first flight on October 15 1982 from the remote flight test facility at Groom Lake, Nevada. The aircraft is a special mission fighter bomber fully capable of performing in total darkness. The F-117A is capable of being flown worldwide and has inflight aerial refueling. Flight cruise altitudes are normally near 7600m. The F-117 Nighthawk is flown by pilots of the 37th Tactical Fighter wing of the USA TACTICAL Air Command from the Tonopah Test Range airfield southeast of Tonopah, Nevada. The unit and airplanes have been entered service since October of 1983.

## 洛克希德F-117A夜鹰

洛克希德F-117A夜鹰是一个长期极其秘密发展计划的成果，可远溯至70年代初期。为了测验能否设计出一种避开于雷达观测之外的飞机，曾进行无数计划和试验，洛克希德U-2漆有吸收雷达波的油漆。洛克希德SR-71同时有反雷达外形及吸收雷达波的油漆。量产型F-117A 1982年10月15日初次飞行，地点是位置偏远的内华达州，高林湖飞行试验飞行基地。

此飞机是一种可于完全黑暗中隐闭行动的特殊任务战斗轰炸机。F-117A可以飞往世界各地，并有空中加油装置，巡航高度一般接近7600m。

F-117A夜鹰由美国空军战术飞行指挥部等37战术飞行纵队的飞行员驾驶。基地在内华达州吞奴柏东南的吞奴柏实验飞行机场。这个单位及飞行自1983年1月开始已投入服役。



Please get the useful tools ready. Remove parts from frame with a pair of scissors and trim away excess plastic. Do not pull off parts. Use cement sparingly to avoid damaging the model. please tear the plastic bag of this product to avoid children putting their heads into the bag. Do not put the parts into your mouth.

使用工具应小心，注意安全。用模型剪从注塑片中取出零件，修去多余料头及飞边。勿拔取零件。使用模型胶勿过量，不得近火源。商品的空袋为了不让小孩套在头上请撕掉。禁止把零部件含入口中。



Cement parts  
用胶粘接



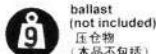
DO Not cement  
不用胶粘接



Cut away  
割去



Caution  
特别注意



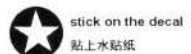
ballast  
(not included)  
压重物  
(本品不包括)



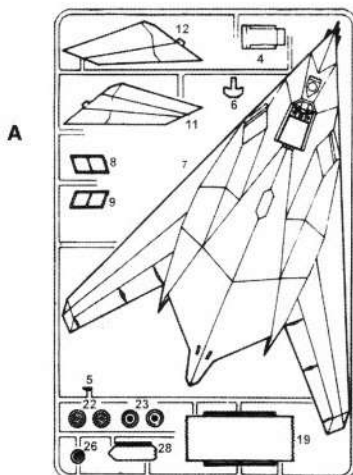
Optional parts  
可选的部分



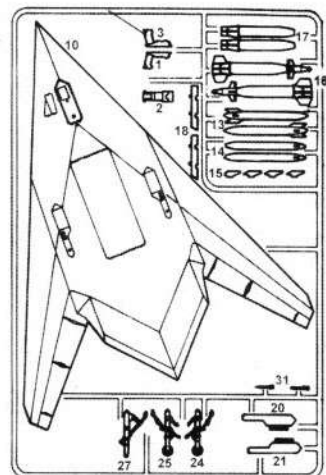
Repeat operation  
重复操作



stick on the decal  
贴水上贴纸

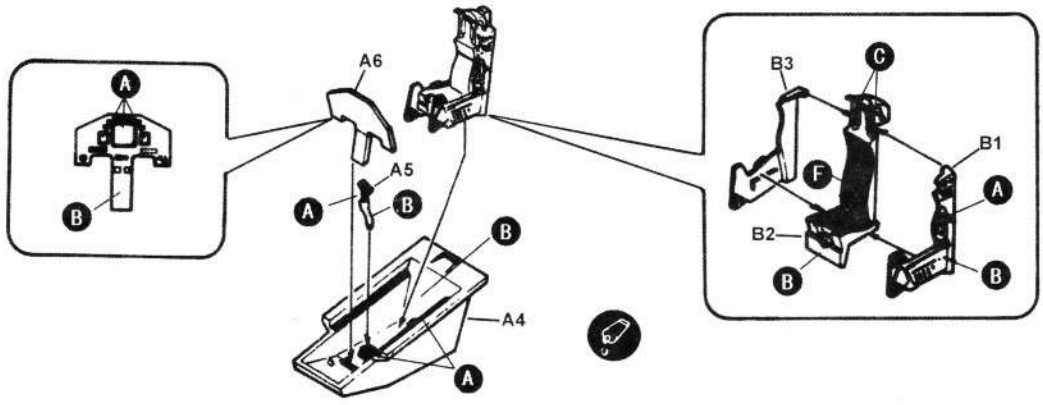


C

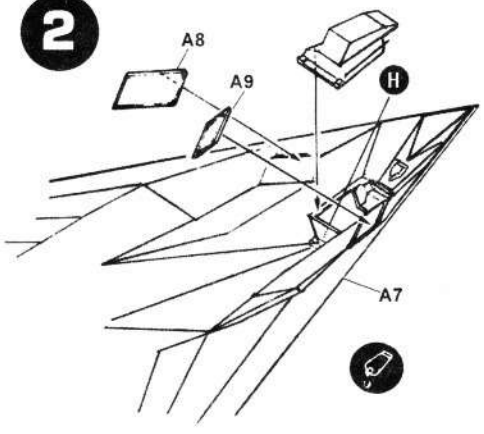


B

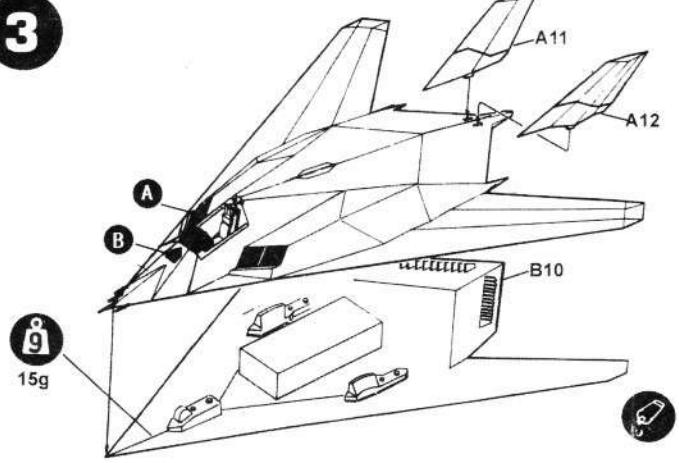
1



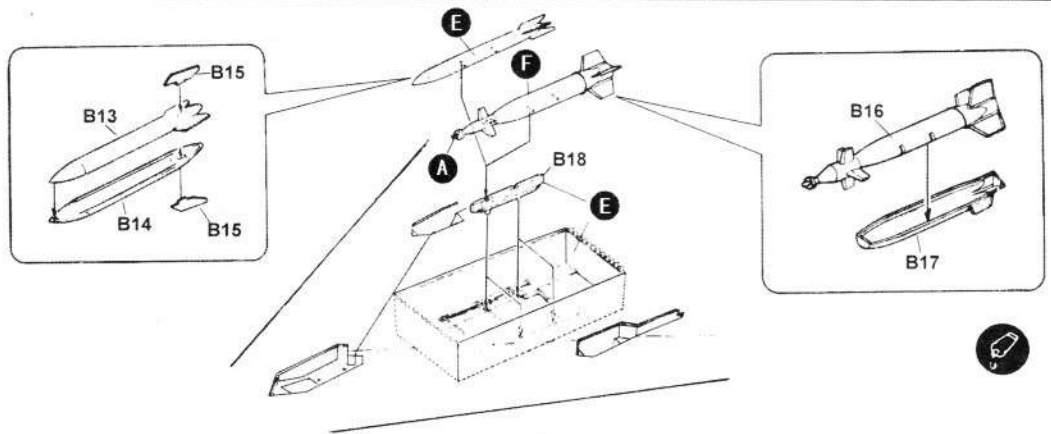
2



3

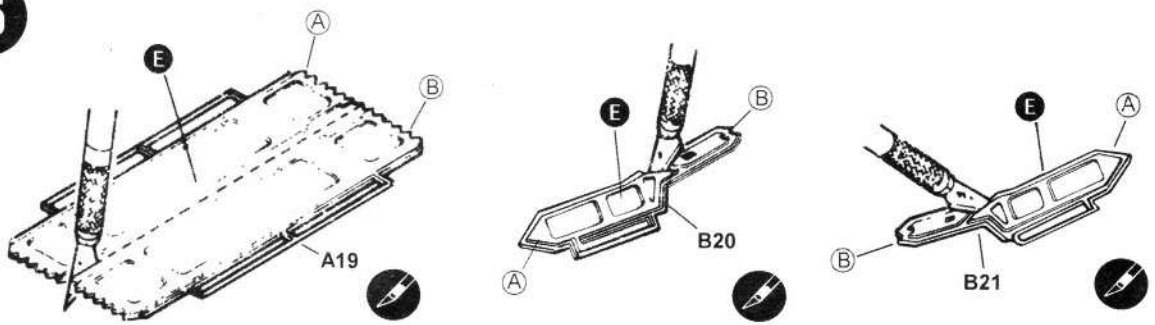


4

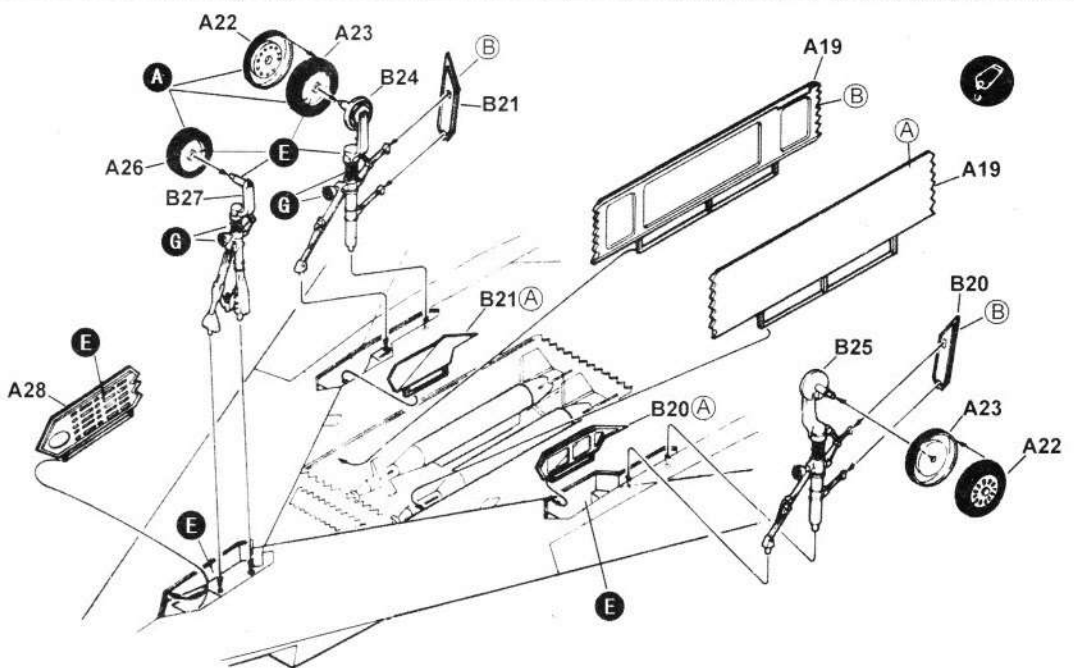


| 淡黑色 A                     | 浅灰色 B                     | 红色 C                  | 绿色 D                    | 白色 E                      | 橄榄绿 F                     | 铬黄色 G                     | 浅黄色 H                         |
|---------------------------|---------------------------|-----------------------|-------------------------|---------------------------|---------------------------|---------------------------|-------------------------------|
| 1749 Model Master FS37038 | 1730 Model Master FS36440 | 1503 Model Master Red | 1524 Model Master Green | 1745 Model Master FS17875 | 1711 Model Master FS34087 | 1790 Model Master FS17178 | 1569 Model Master Flat yellow |
| Flat Back                 | Flat Gull Gray            | Rot (G)               | Signal                  | Insignia white            | Olive Drab                | Chrome Silber             | Gelb (M)                      |
| Schwarz (M)               | Mowengrau (M)             | Rosso (L)             | Verde (L)               | Signalgrun (G)            | Olive (M)                 | Chromsilber (G)           | Giallo (O)                    |
| Nero (O)                  | Groggy Gabbiano (O)       | Rouge (B)             | Vert (B)                | Bianco Segnaie (L)        | Verde Oliva (O)           | Argnto Cromo (I)          | Jaune Mat (M)                 |
| Noir Mat                  | Gris Mouette Mat (M)      |                       |                         | Bianco Insignes (B)       | Olive Sale (M)            | Argent de Chrome (B)      |                               |

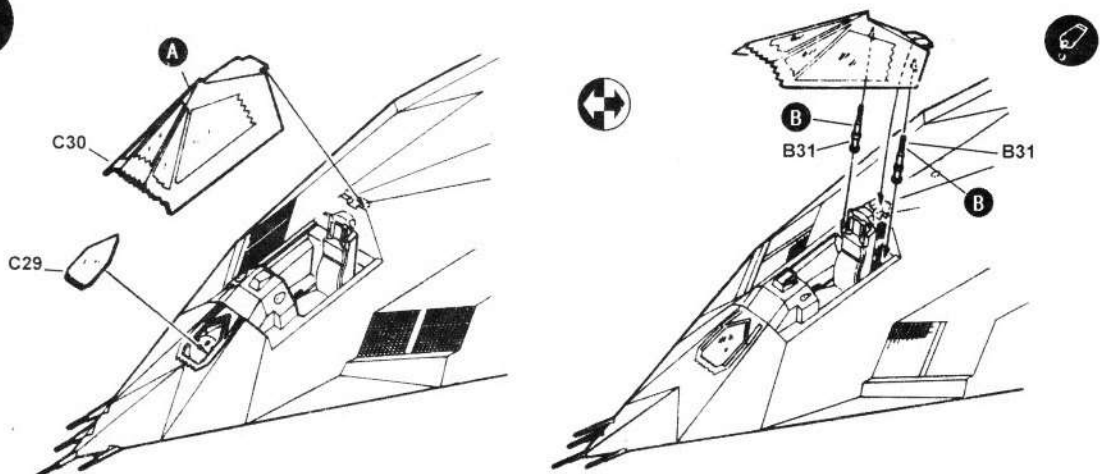
**5**



**6**

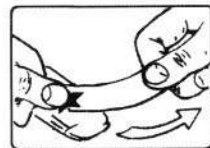
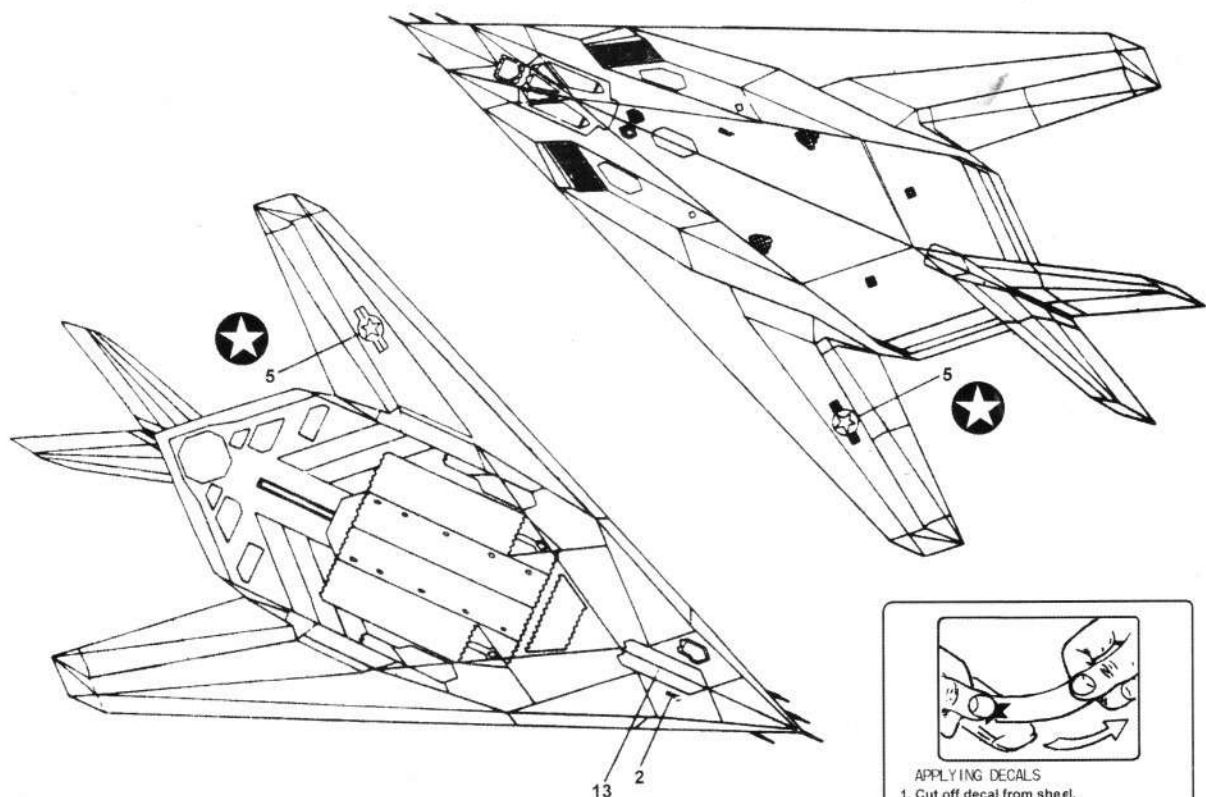


**7**



# Painting instruction

## 涂装指导

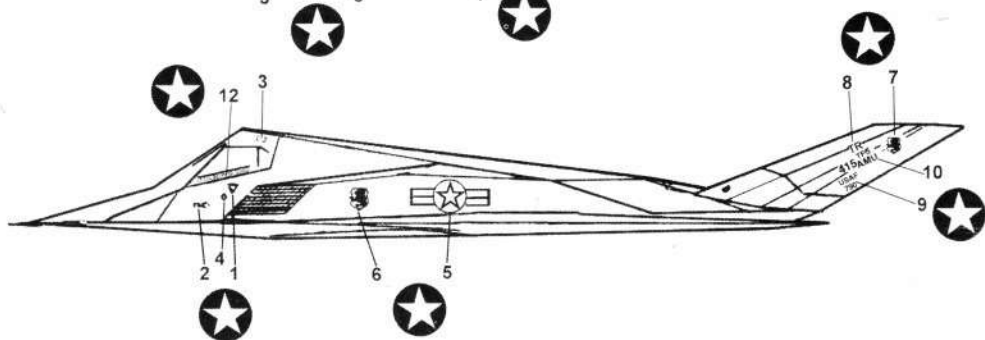
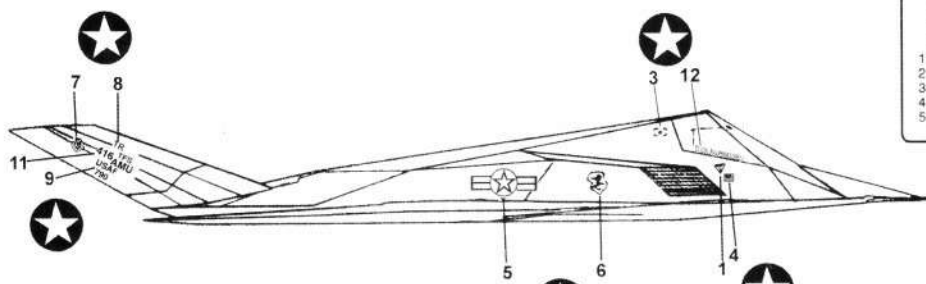


### APPLYING DECALS

1. Cut off decal from sheet.
2. Dip the decal in tepid water for about 10 sec. and place on a clean cloth.
3. Hold the backing sheet edge and slide decal onto the model.
4. Move decal into position by wetting decal with finger.
5. Press decal gently down with a soft cloth until excess water and air bubbles are gone.

### 印花(印花水貼紙)應用

1. 由印花紙剪下印花。
2. 將印花放入溫水中約10秒然後放于潔淨布上。
3. 將印花移入模型上。
4. 手指沾水移放印花到位置。
5. 用軟布輕輕壓印花直到水泡消失。





10

**415**

**TFS  
AMU**

**TR TR**

13

11

**416**

**TFS  
AMU**

**USAF  
796**

14

**USAF  
796**

12

**DF 312 ZHENGDEFU**