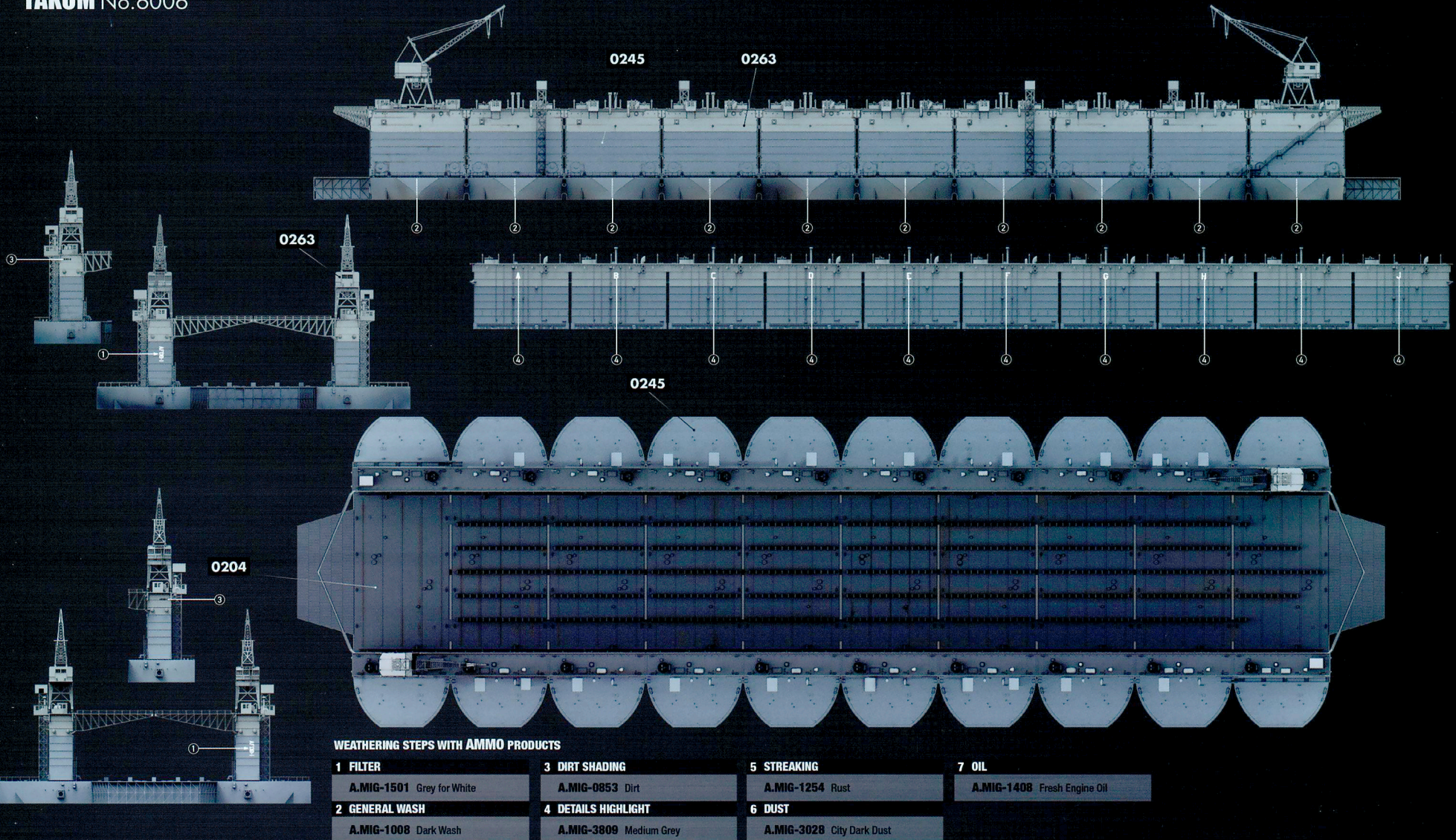


Painting and Marking Guide

TAKOM No.6006

A.MIG-0204 FS 36118 Medium Gunship Gray
A.MIG-0245 Ocean Green (BS629)
A.MIG-0263 L1N Medium Grey



WEATHERING STEPS WITH AMMO PRODUCTS

1 FILTER

A.MIG-1501 Grey for White

2 GENERAL WASH

A.MIG-1008 Dark Wash

3 DIRT SHADING

A.MIG-0853 Dirt

4 DETAILS HIGHLIGHT

A.MIG-3809 Medium Grey

5 STREAKING

A.MIG-1254 Rust

6 DUST

A.MIG-3028 City Dark Dust

7 OIL

A.MIG-1408 Fresh Engine Oil

READ BEFORE ASSEMBLY

CAUTION

- Read carefully and fully understand the instructions before commencing assembly. A supervising adult should also read the instructions if a child assembles the model.
- When assembling this kit, tools including knives used. Extra care should be taken to avoid personal injury.
- Keep out of reach of small children. Children must not be allowed to suck any part, or pull vinyl bag over their heads.



Drill



Instant Glue for Metal



Do Not Cement



Remove

PAINTS REQUIRED

Color info and profiles by Mig Jimenez

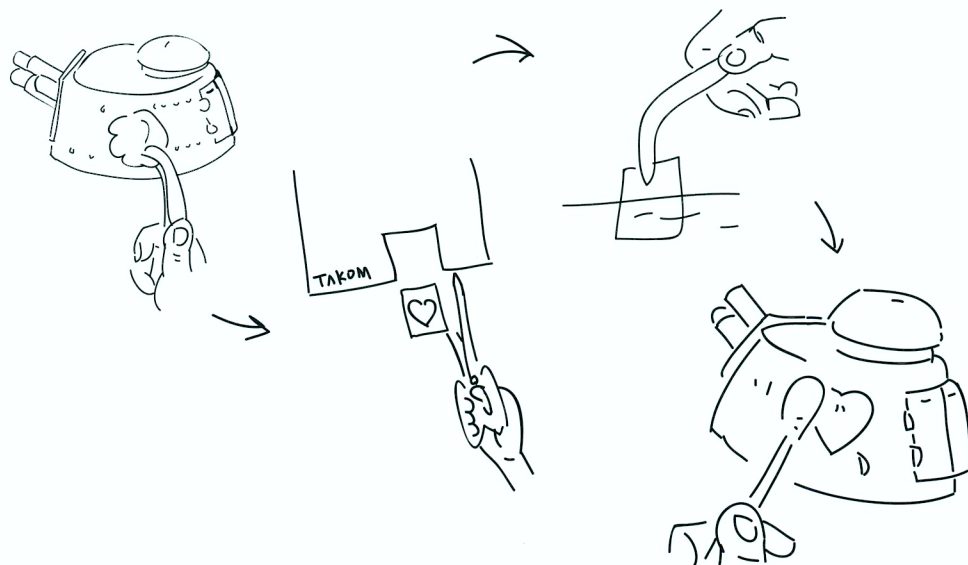
A.MIG-0204 FS 36118
Medium Gunship
Gray

A.MIG-0245 Ocean Green
(BS629)

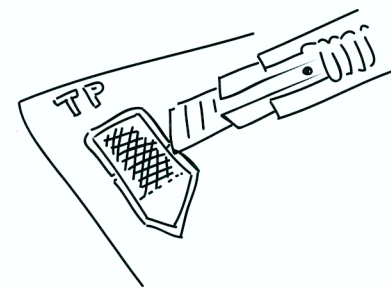
A.MIG-0263 JN Medium
Grey

APPLYING DECALS

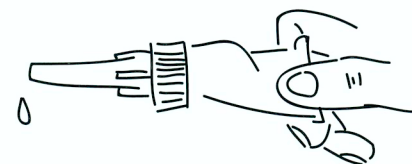
1. Clean the model surface with a wet cloth.
2. Cut out each decal design from sheet, and dip it in tepid water for 15~20 sec.
3. Hold the backing sheet edge and slide decal onto the model.
4. Move decal into position by wetting decal with finger.
5. Press decal gently down with a soft cloth until excess water and air bubbles are gone.



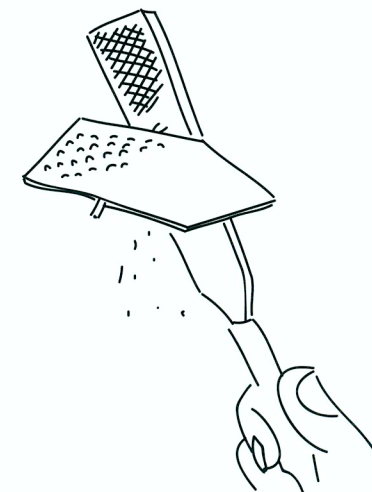
REMOVING PE



Be careful not to hurt when removing PE parts.

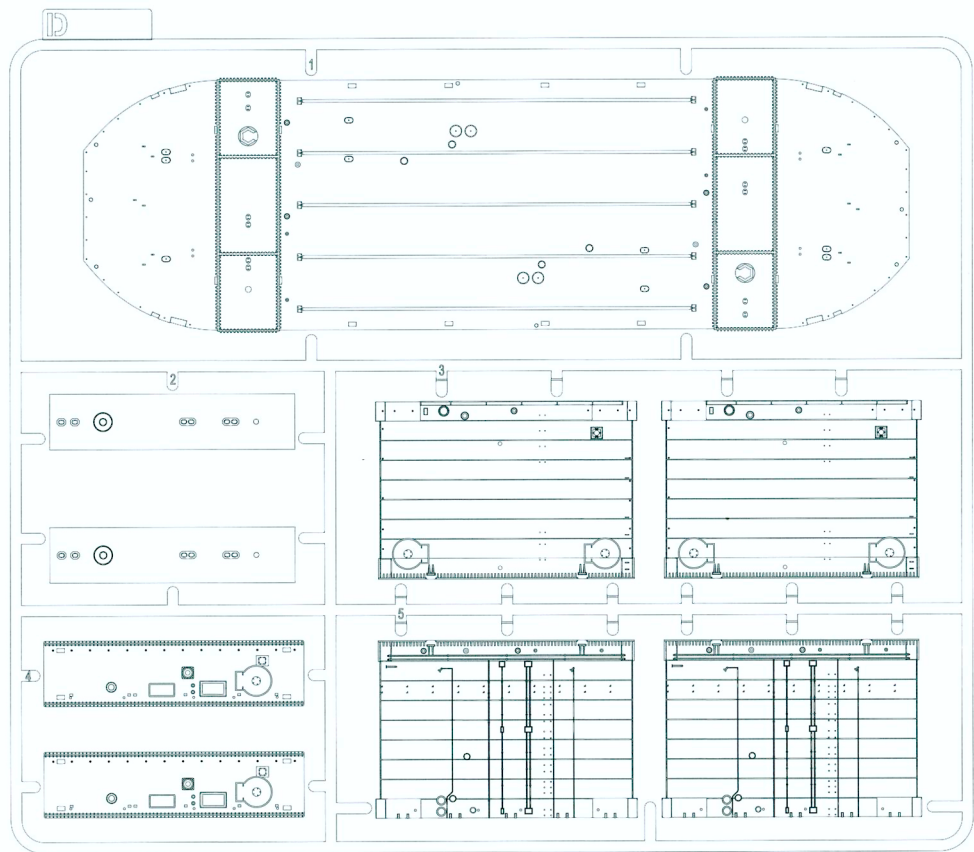


Secure using instant glue (not included).

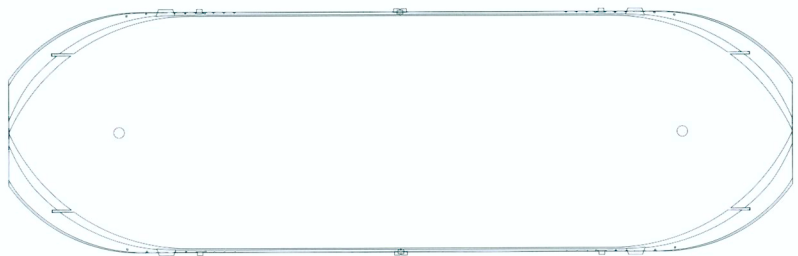


Finish using file.

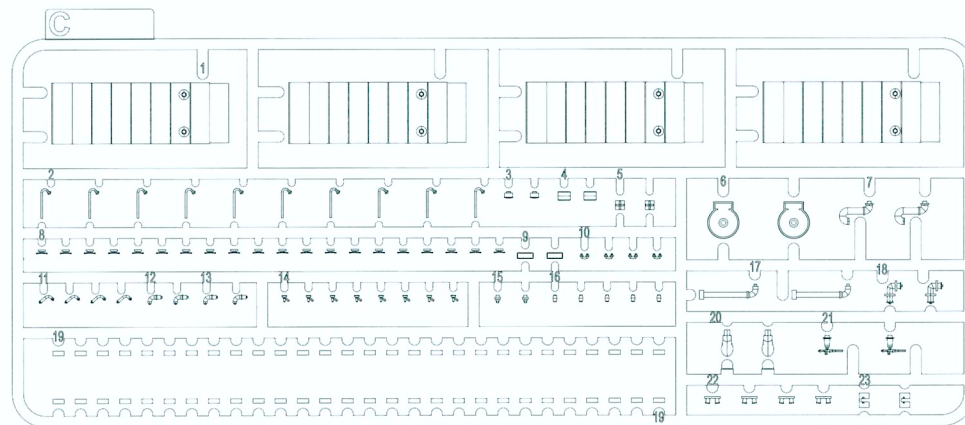
PARTS



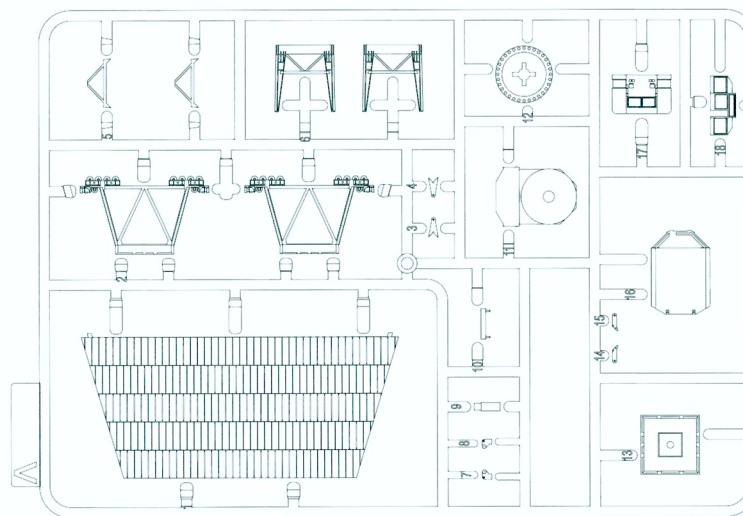
X10



X10



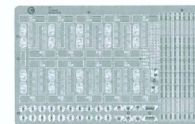
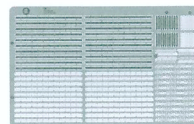
X10



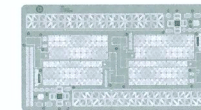
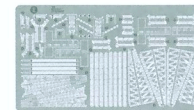
X2



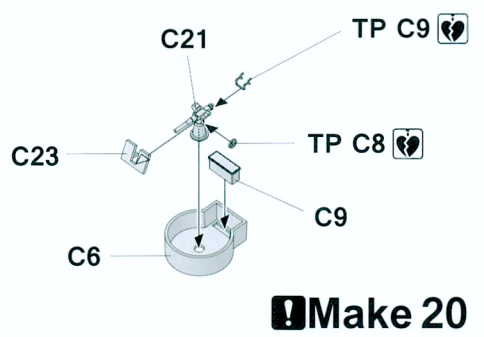
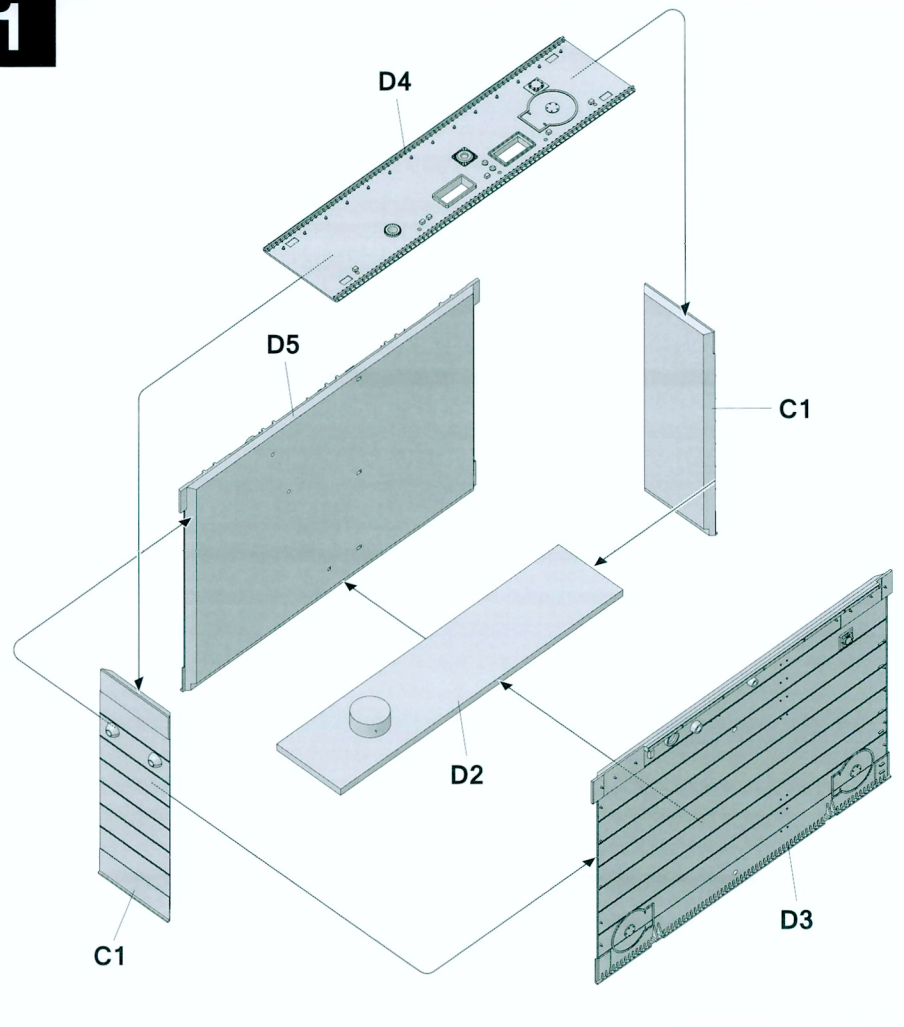
Decal



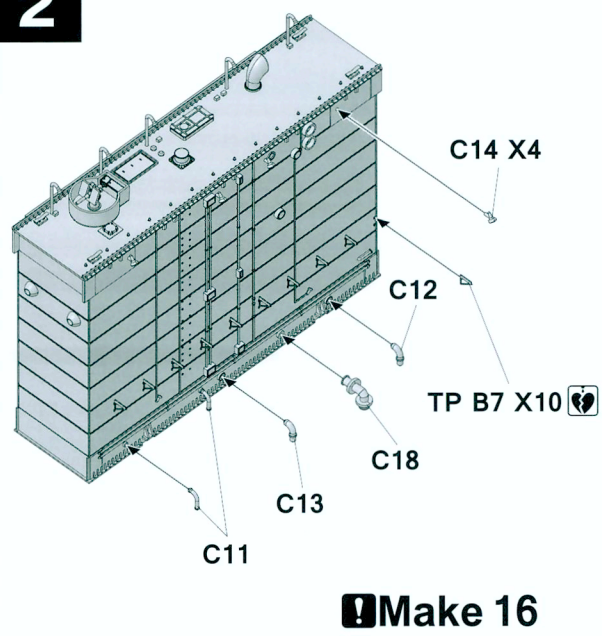
TP



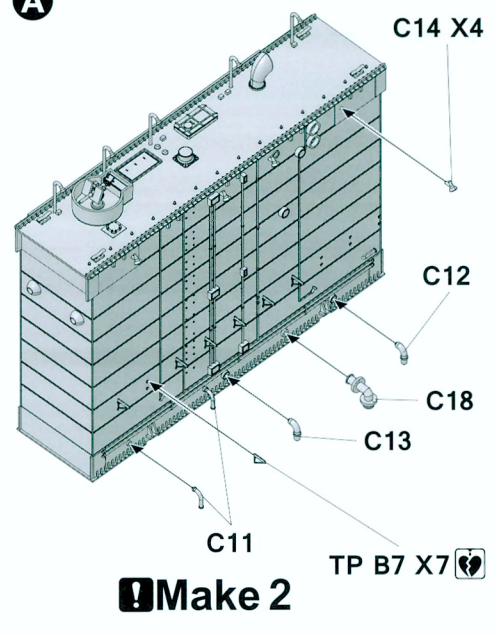
1



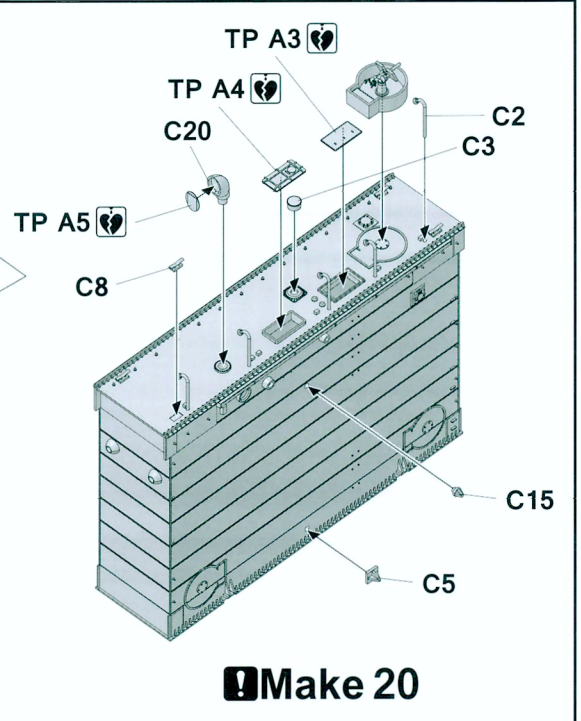
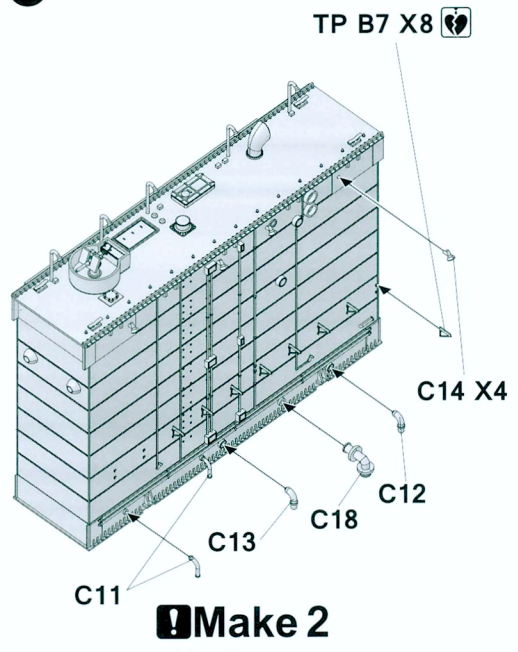
2



A

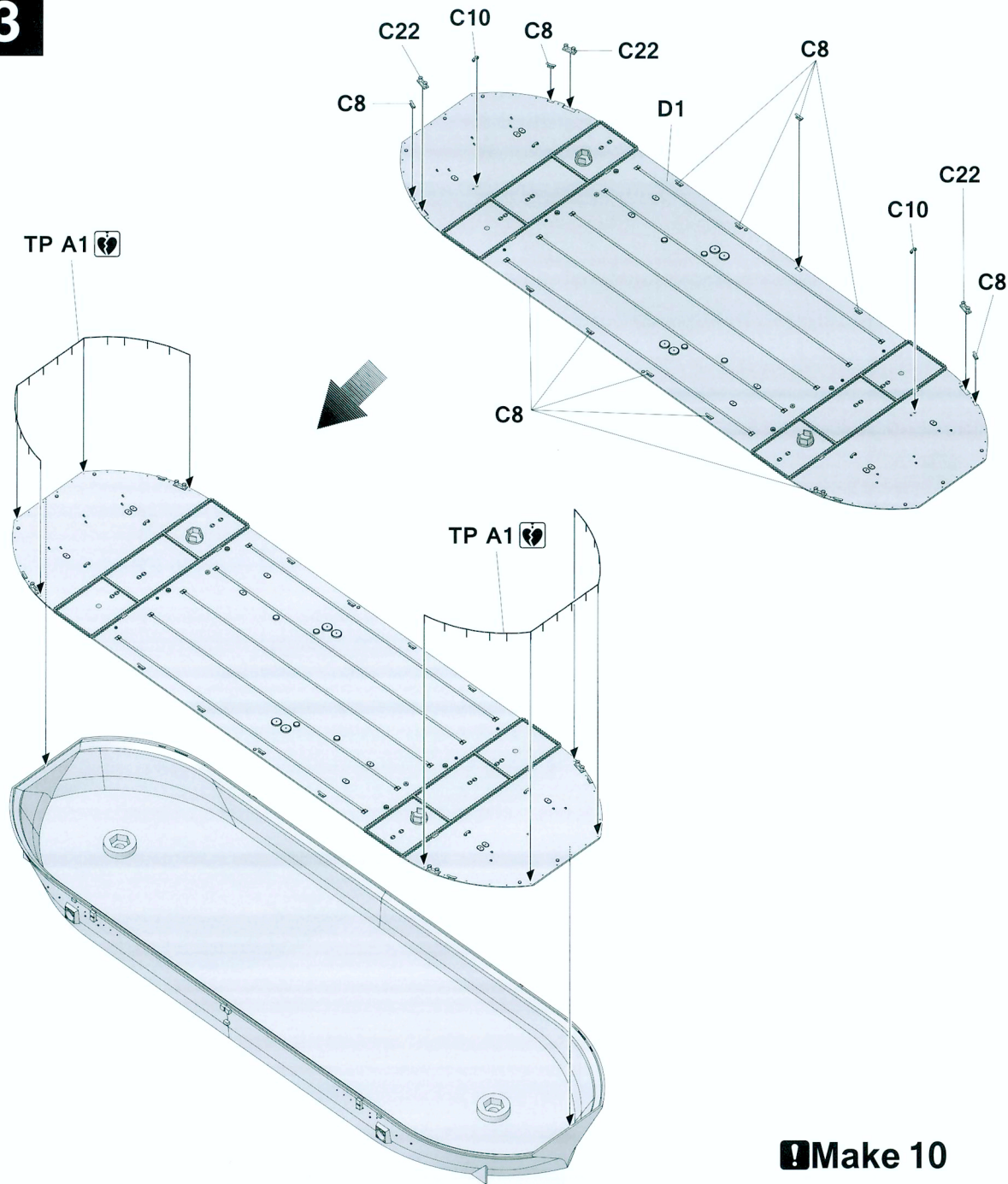


B



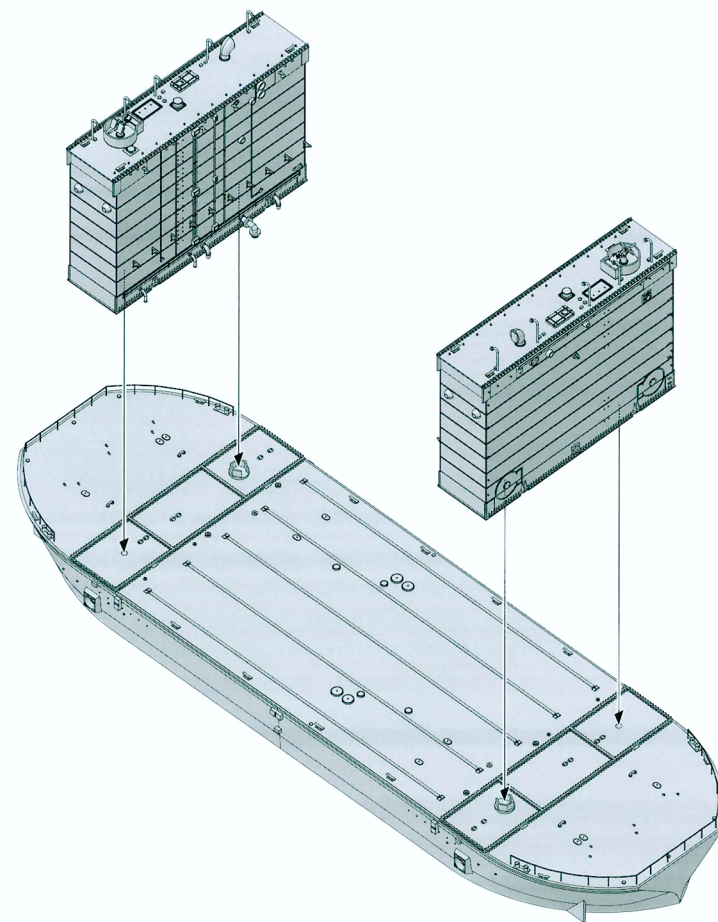
3

3

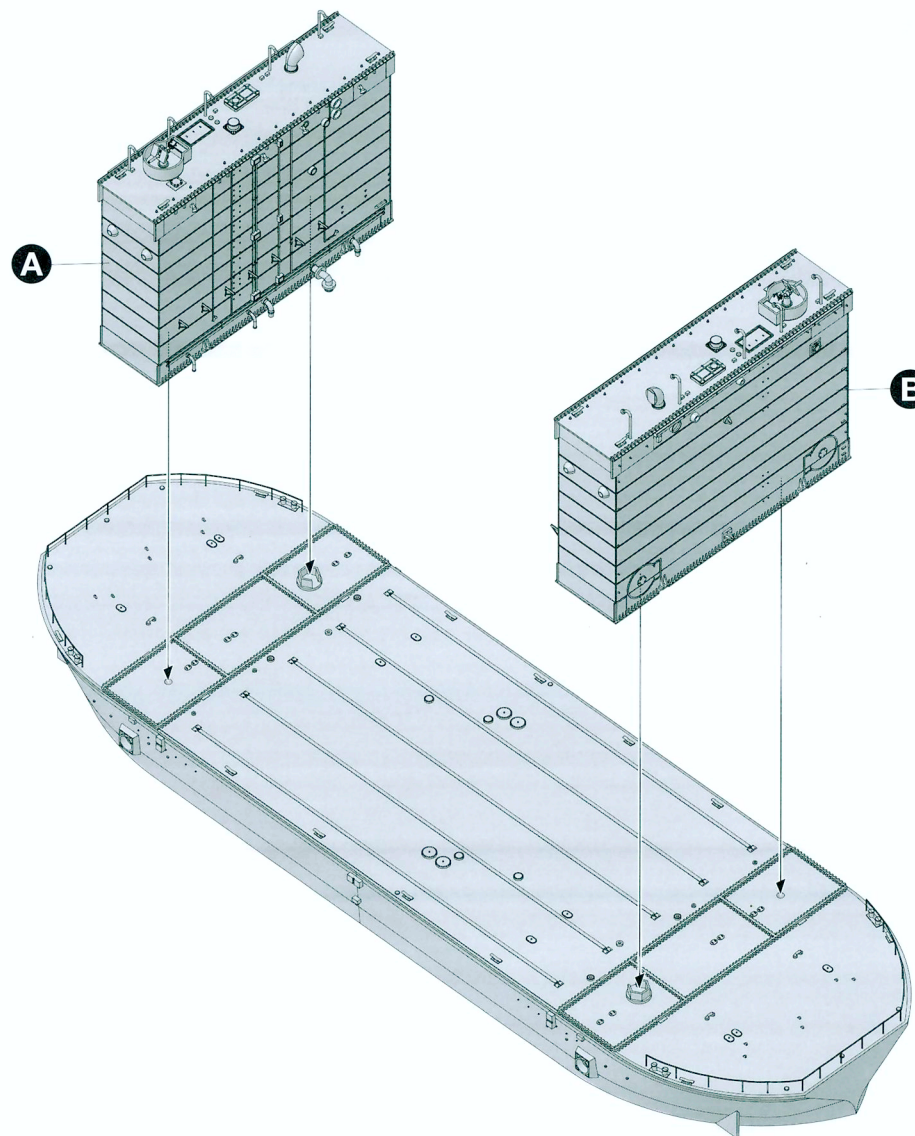
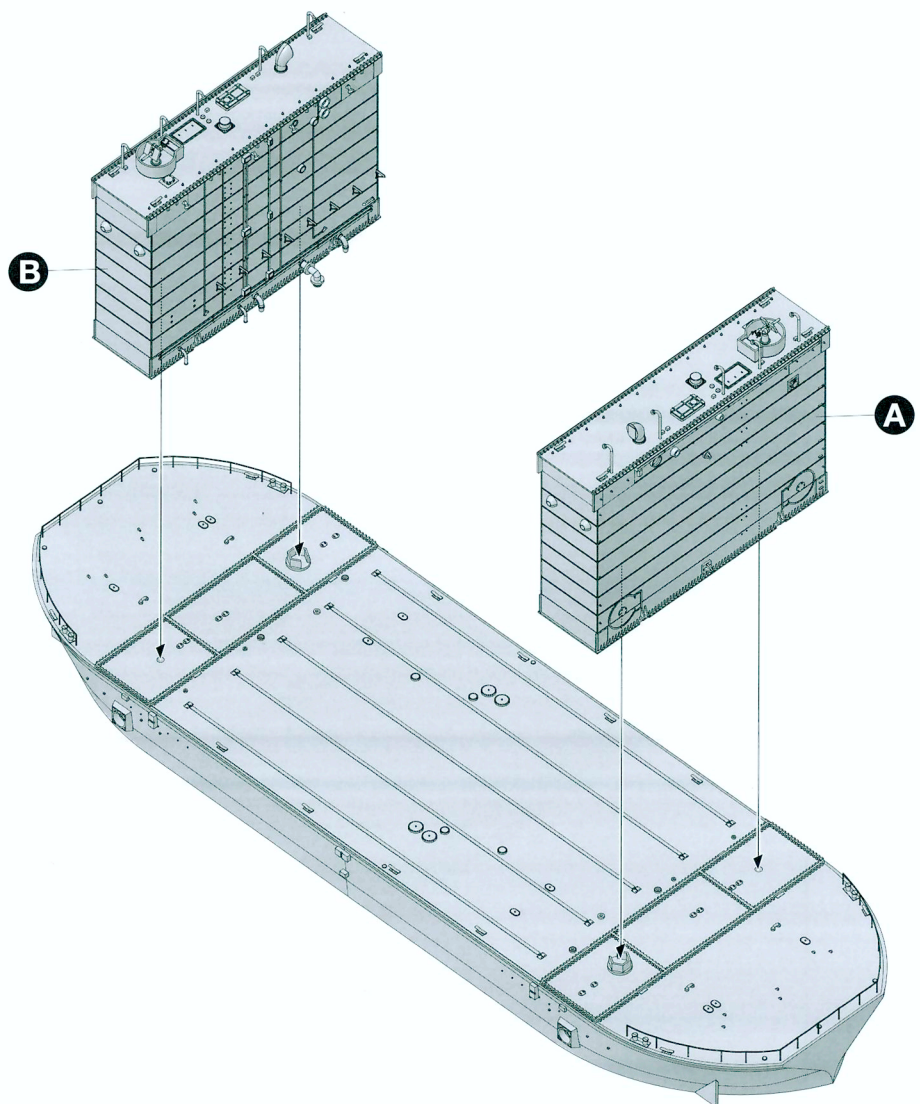


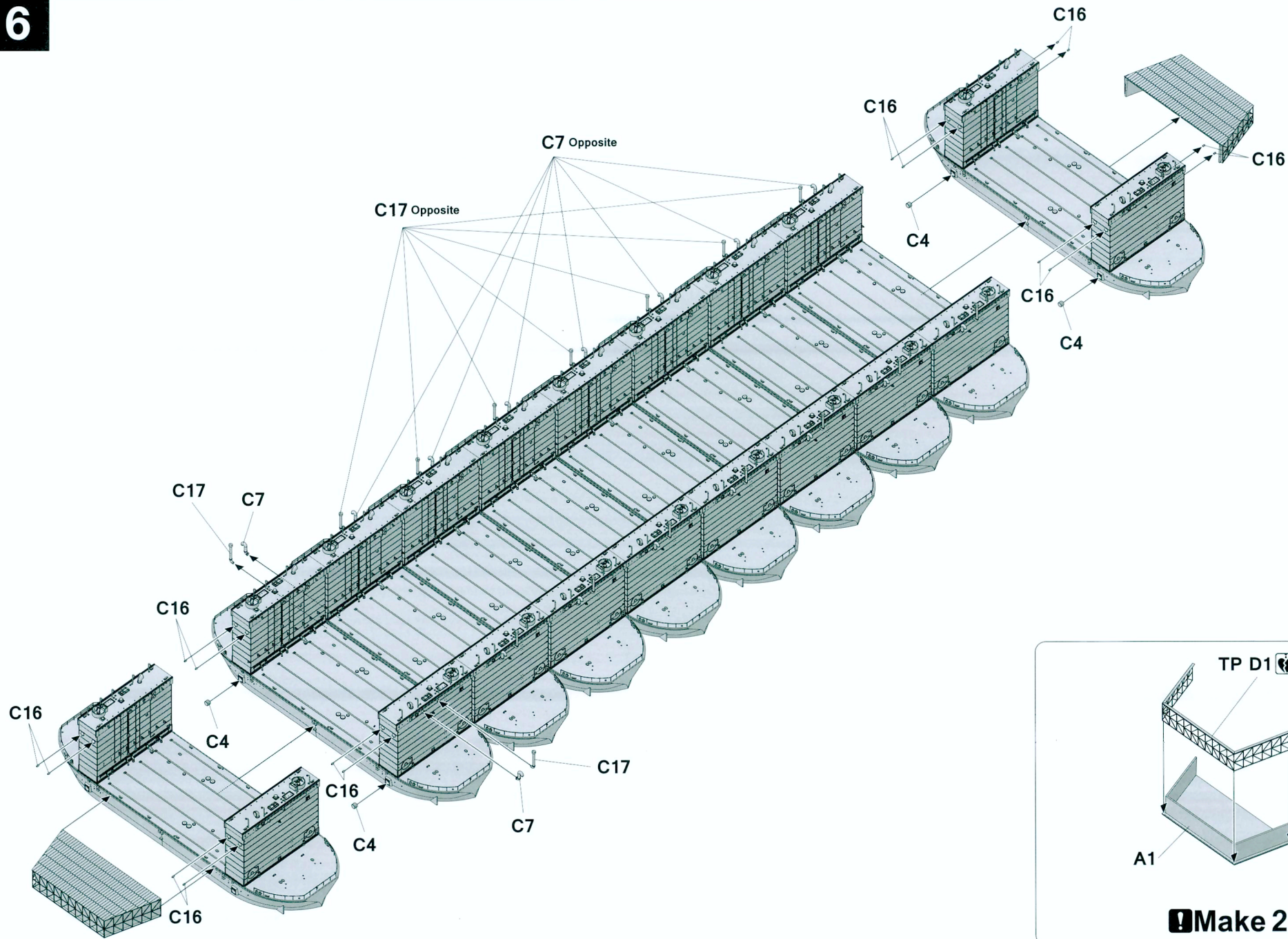
Make 10

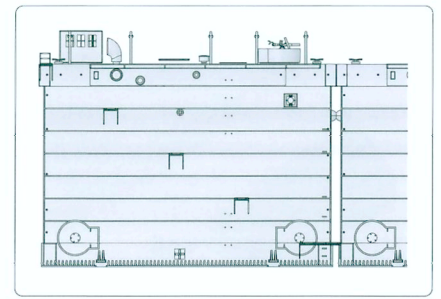
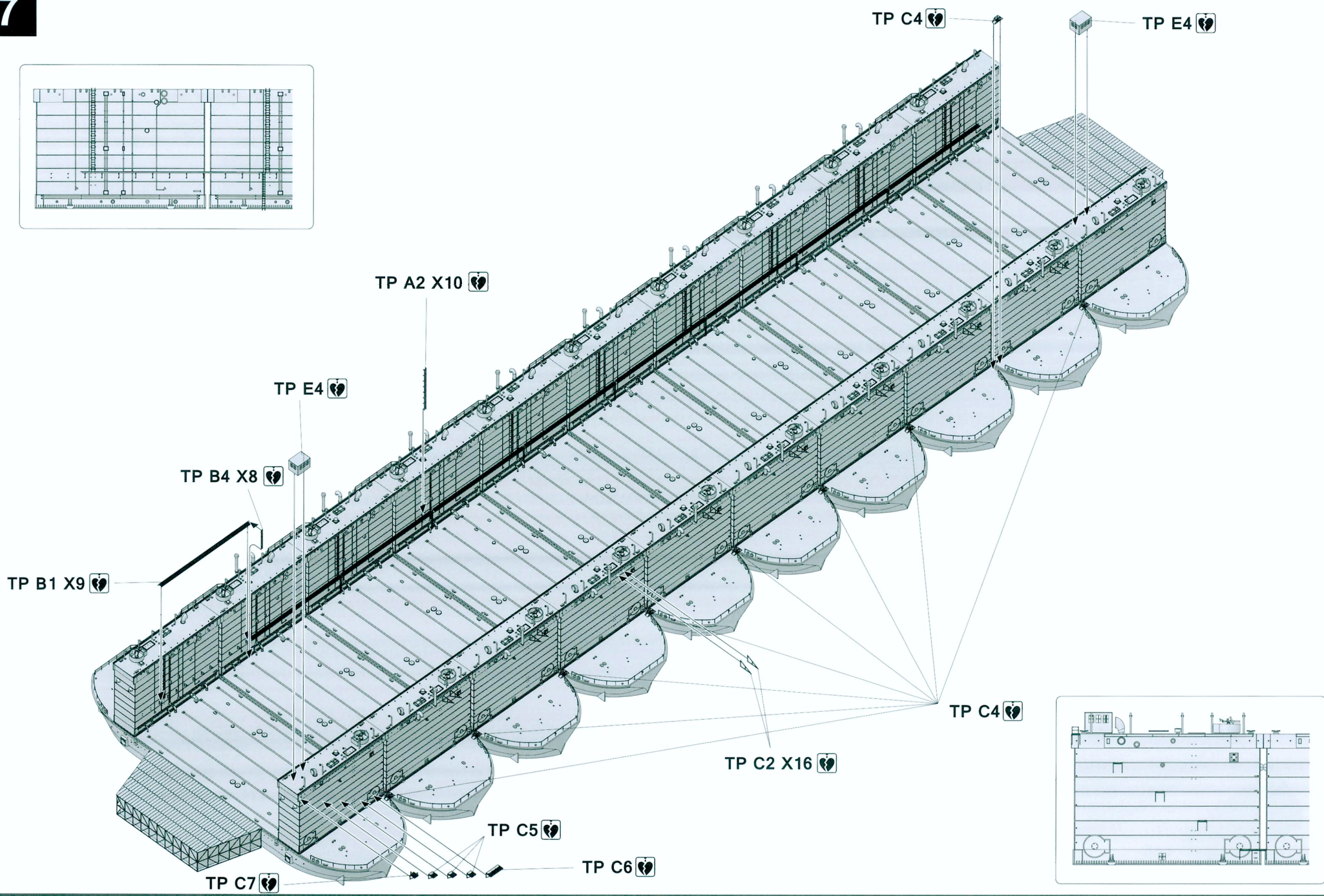
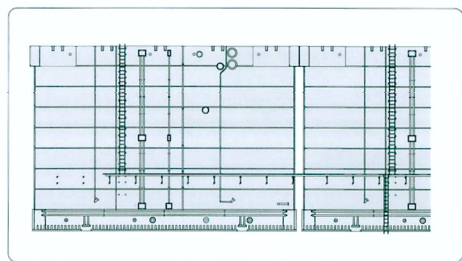
4

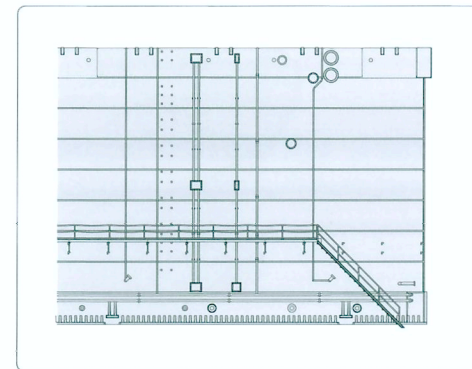
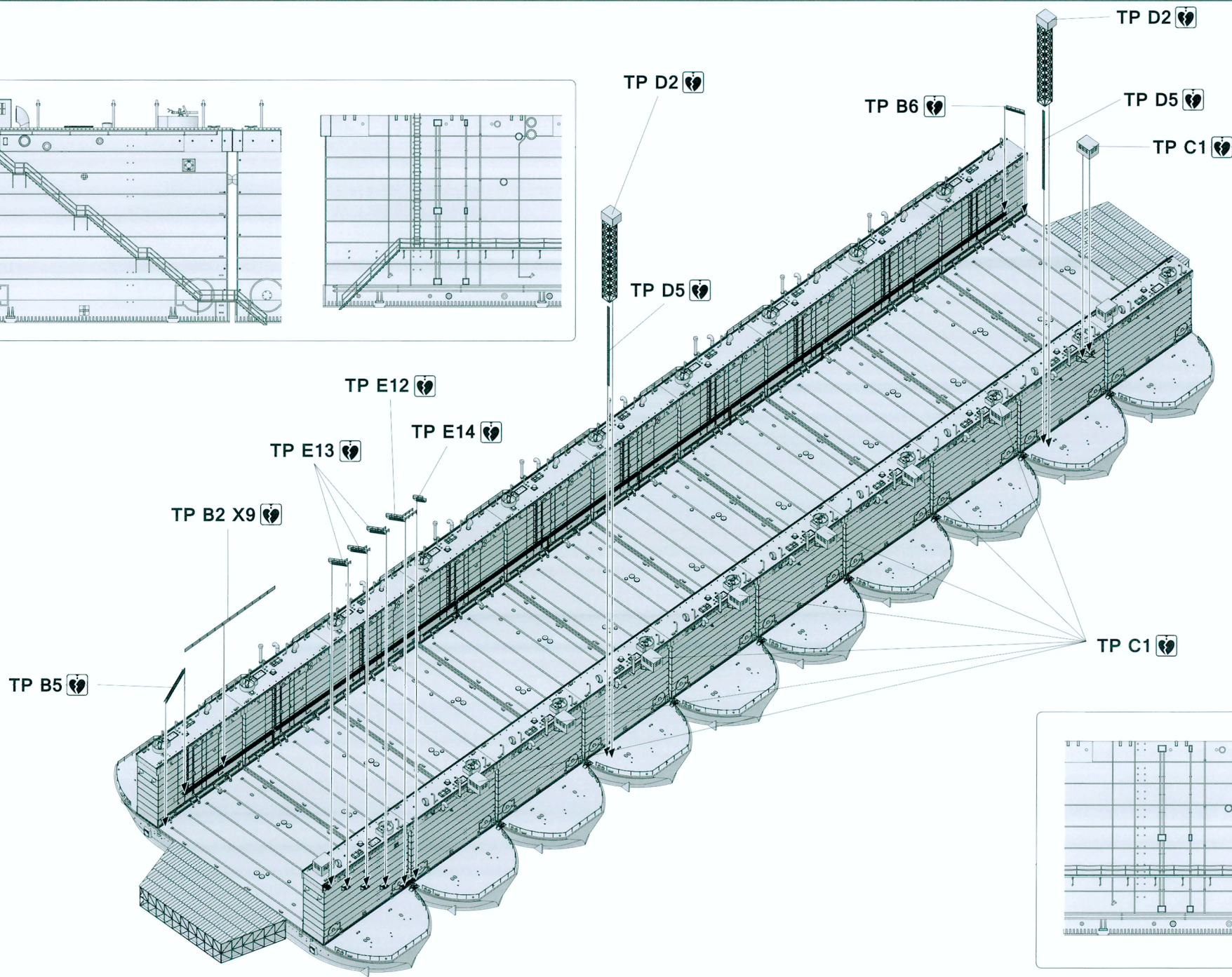
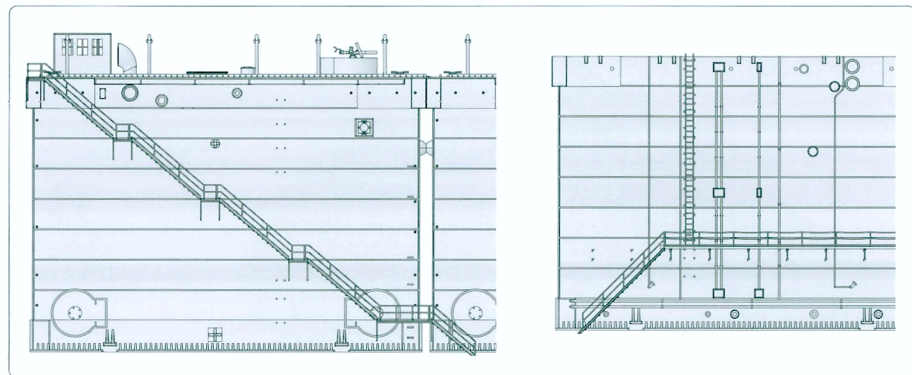


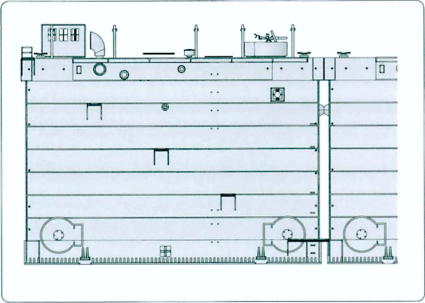
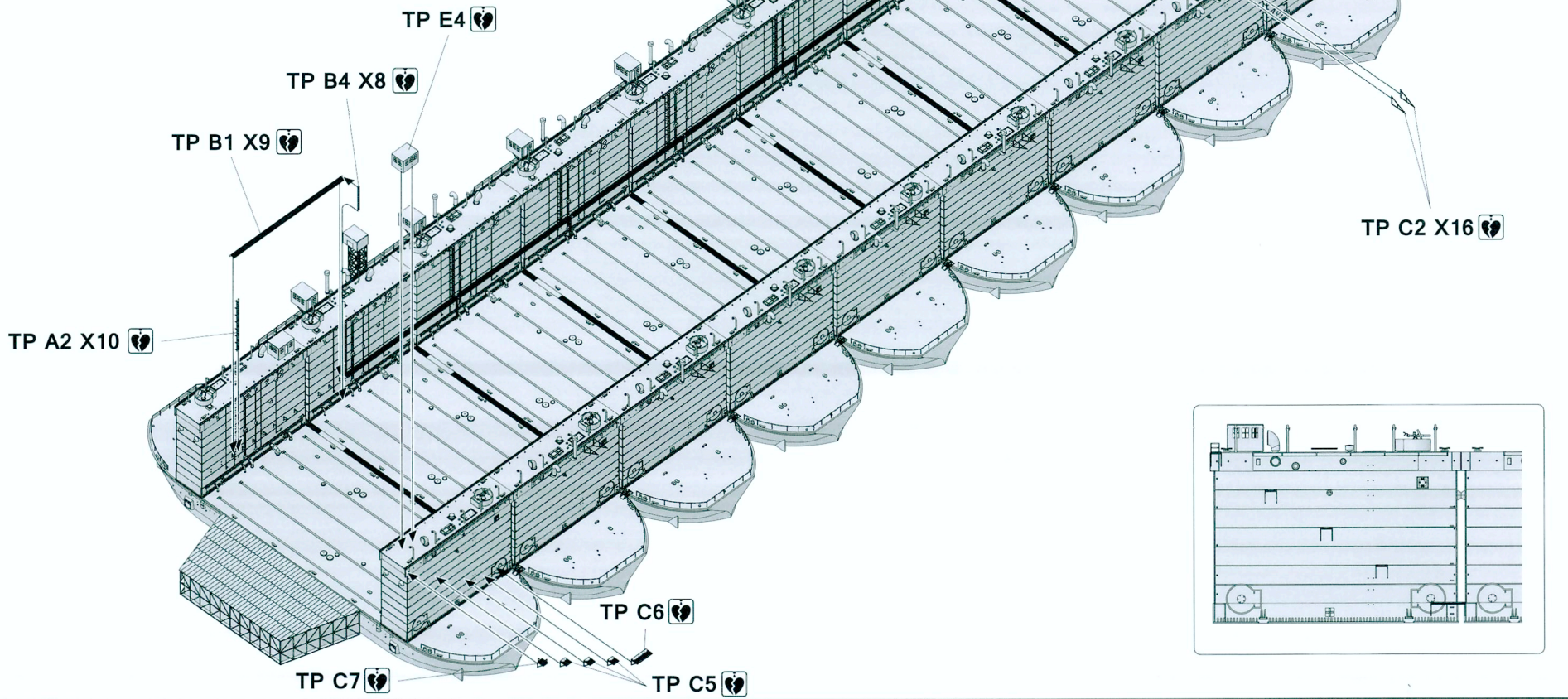
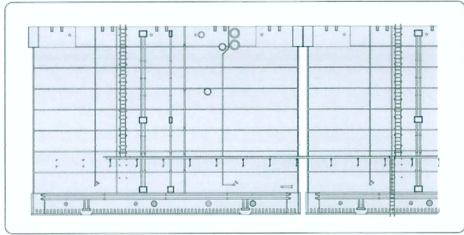
Make 8

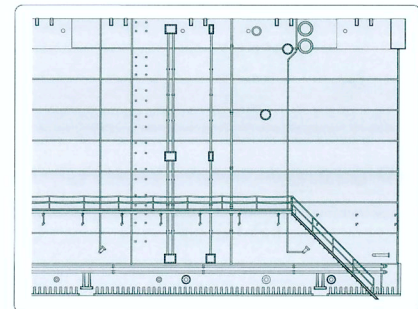
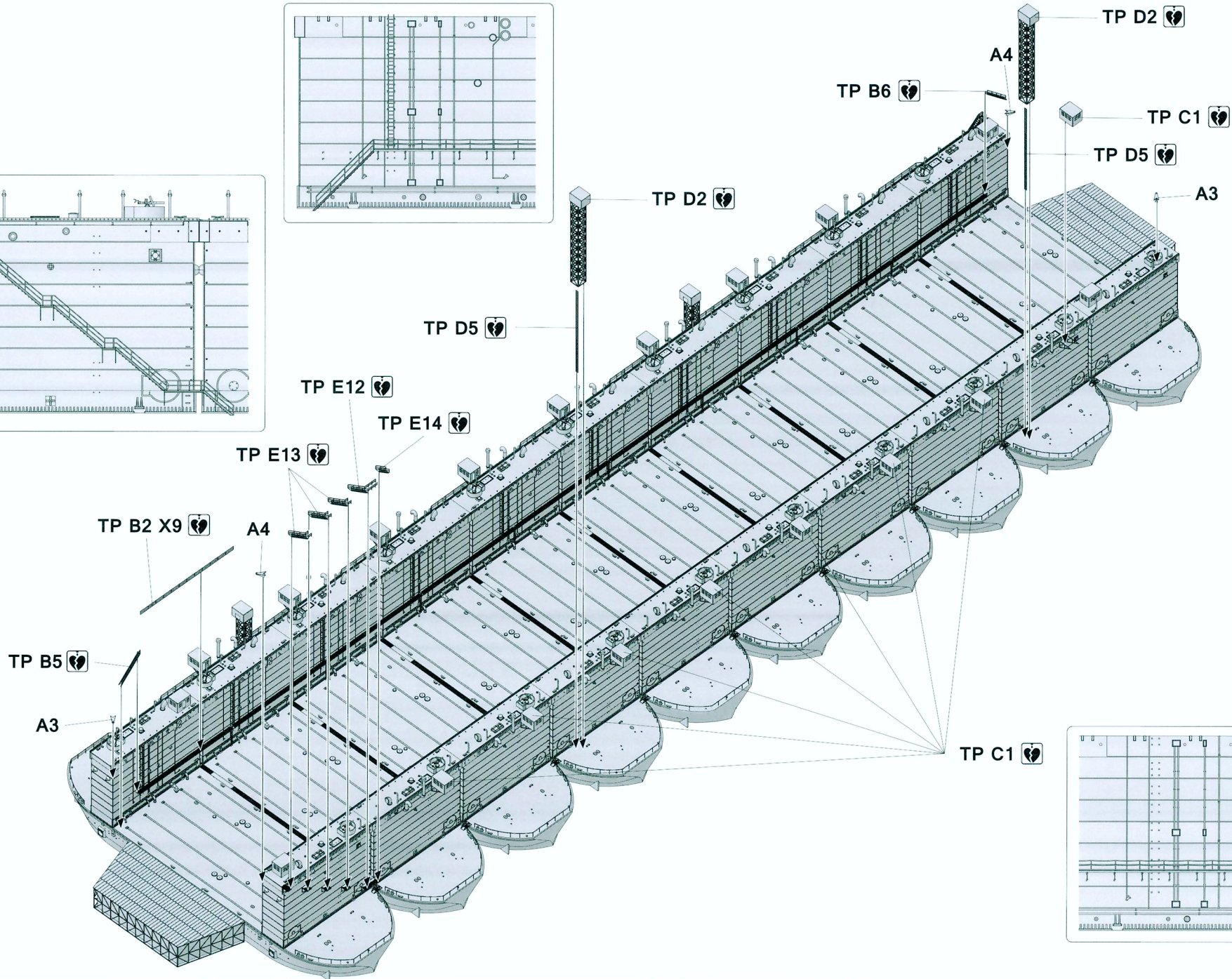
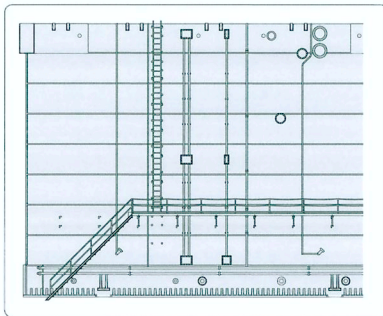
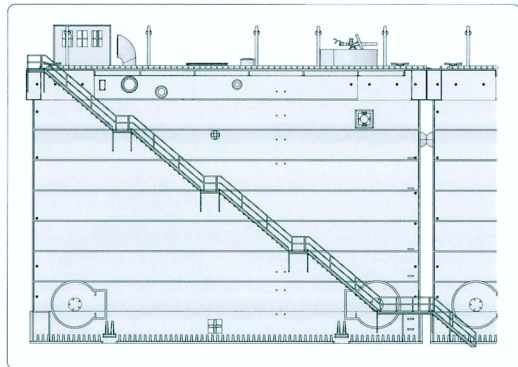


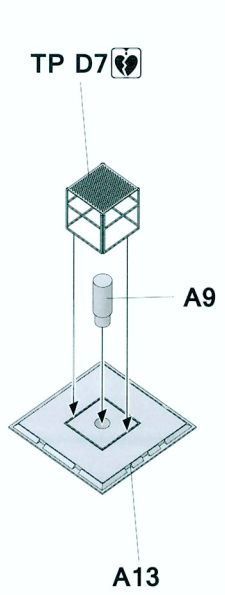




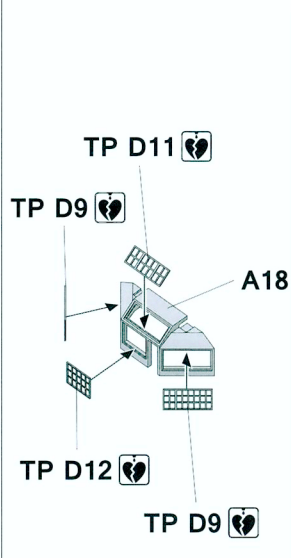
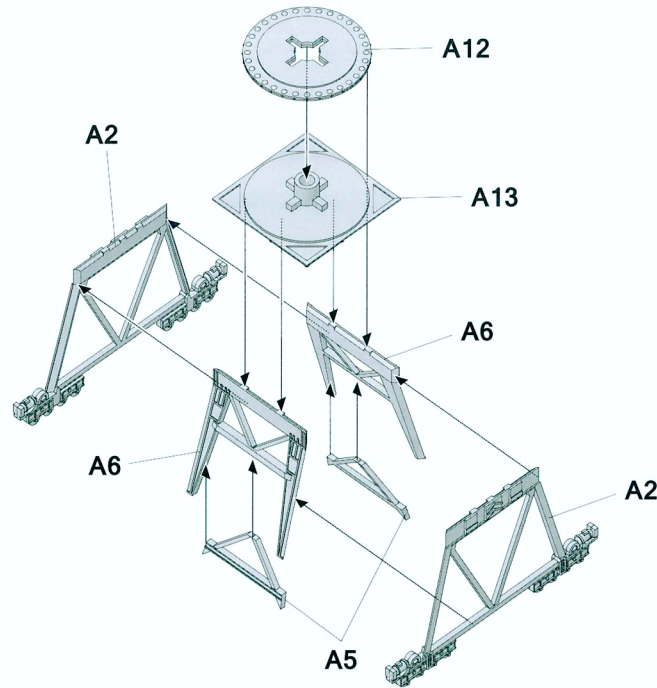




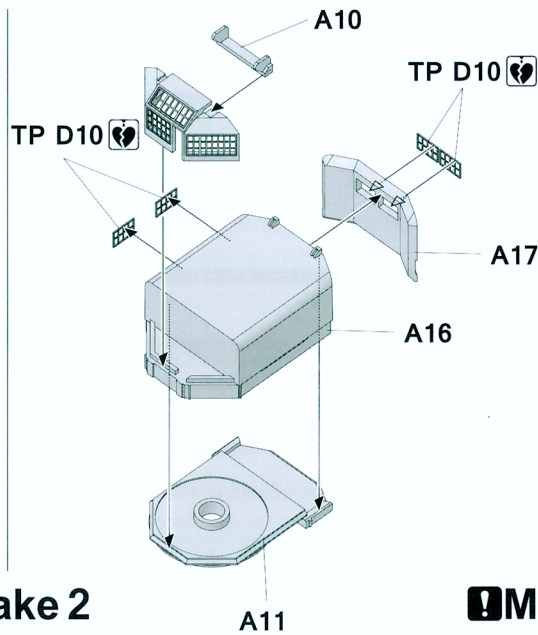




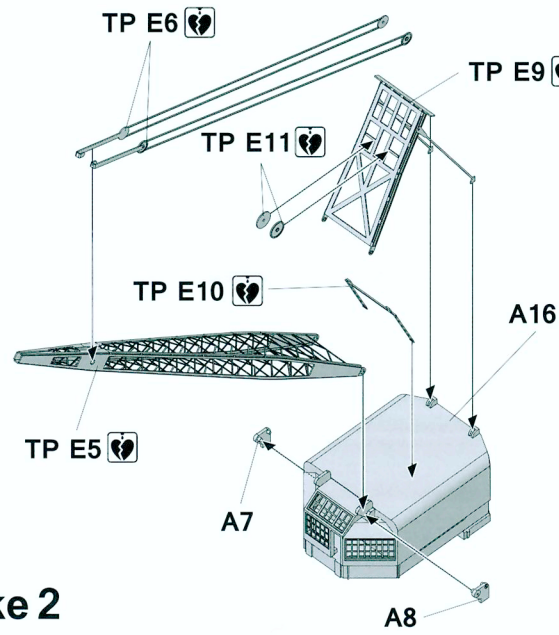
Make 2



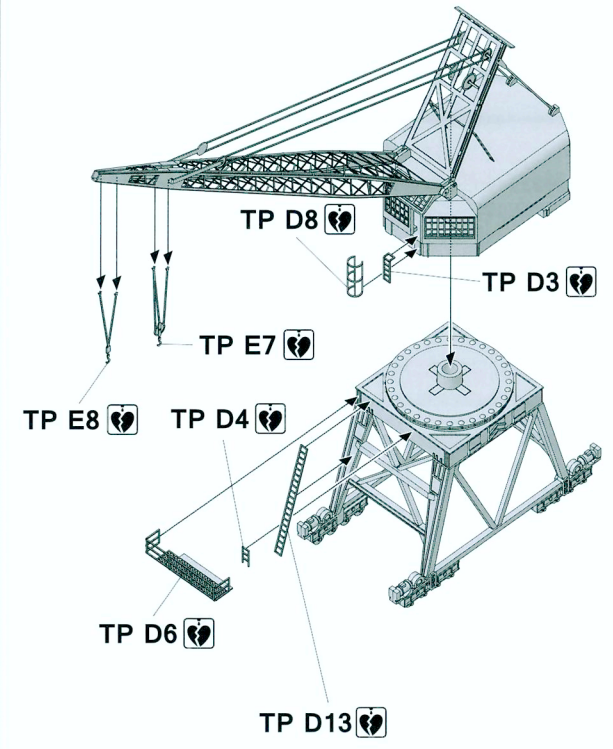
Make 2

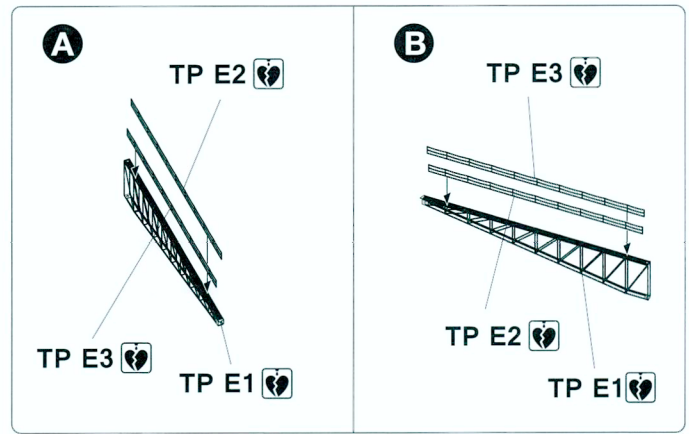
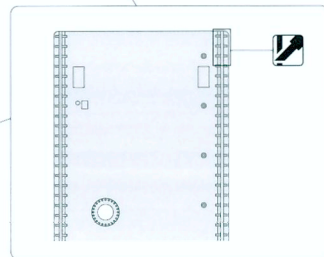
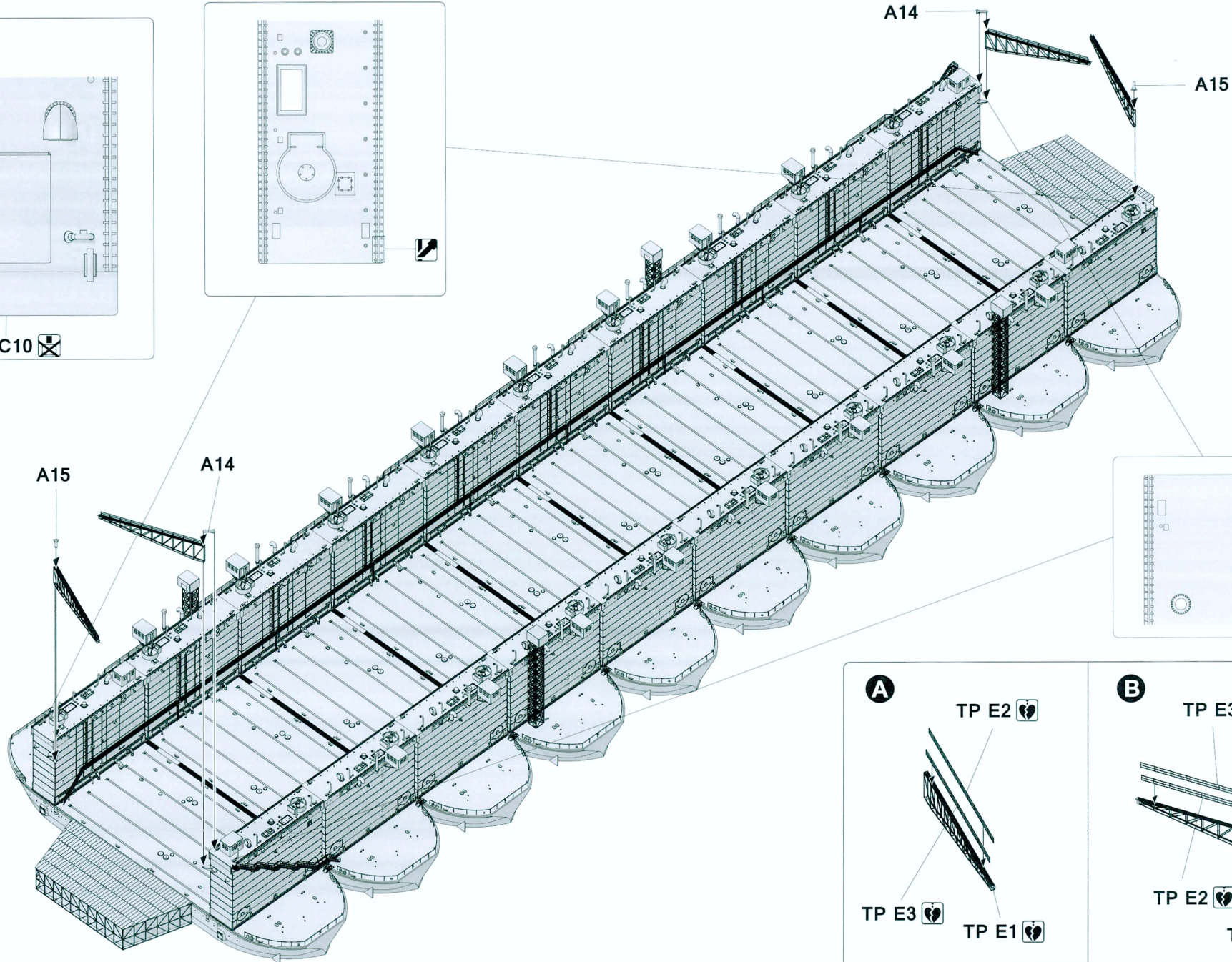
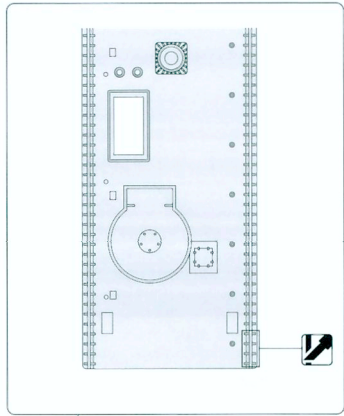
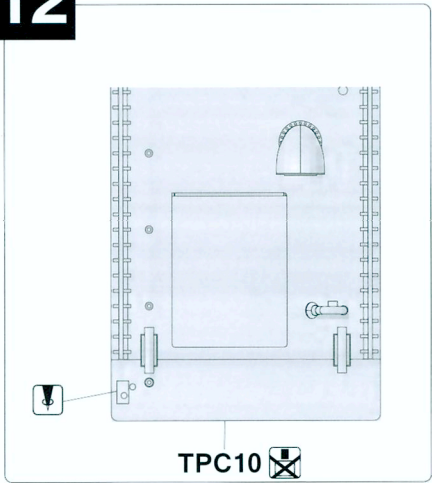


Make 2



Make 2

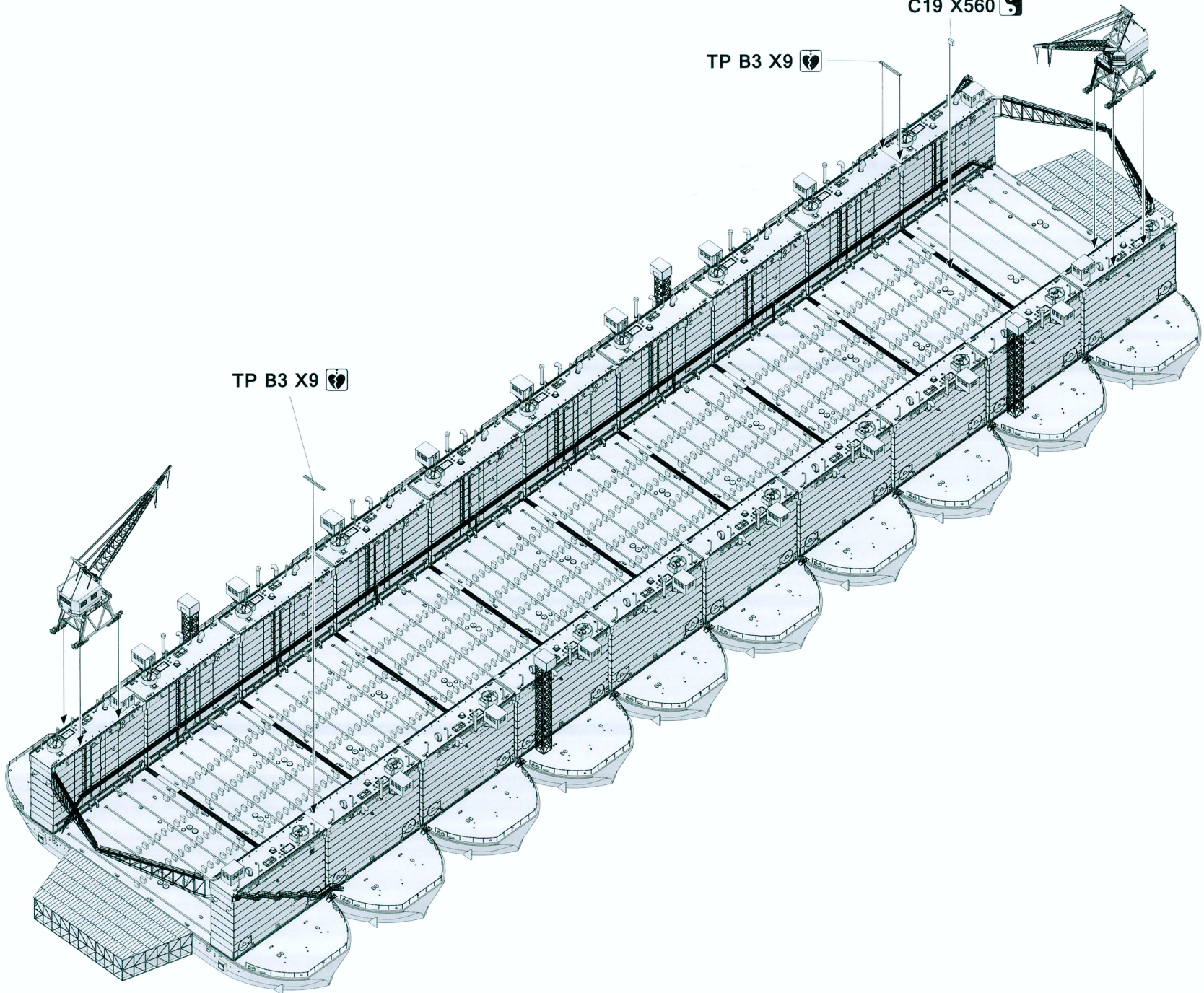




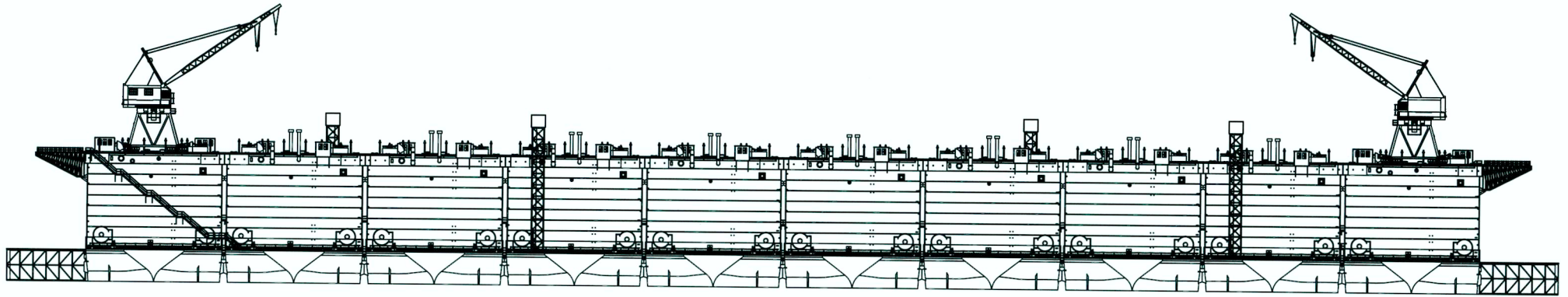
C19 X560

TP B3 X9

TP B3 X9



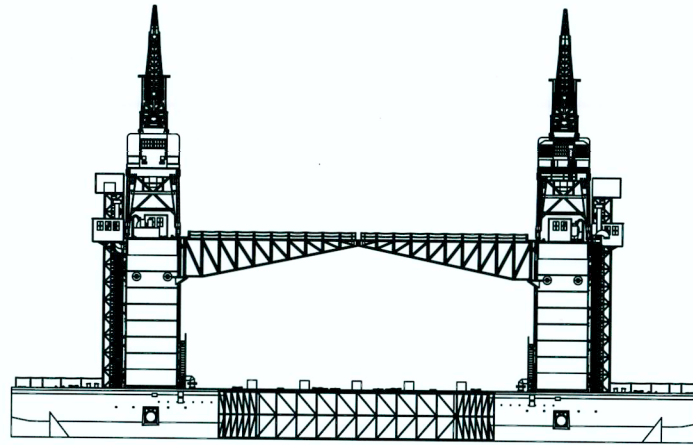
USS ABSD-1 LARGE AUXILIARY FLOATING DRY DOCK



Constructed in 9 sections during 1942 and 1943 by the Everett Shipbuilding Company in Everett Washington, the Chicago Bridge & Iron Company in Eureka California, the Pollack-Stockton Shipbuilding Company in Stockton California, and Chicago Bridge & Iron Company in Morgan City Louisiana, the USS ABSD-1 was commissioned on May 10, 1943 in Everett Washington.

The floating dry-dock was 927 feet long, 256 feet wide, 28 feet high, and had a displacement of 38,000 tons. It could lift 90,000 tons and carry 690 men.

During World War II, ABSD-1 was assigned to the Asiatic-Pacific Theater and towed to Espiritu Santo in the New Hebrides, where it was assembled for service in the war. It was then disassembled and towed to Manicani Bay in the Philippines and reassembled for service by September 1945. It was decommissioned on May 31, 1946 in the Philippines before being rebuilt as the AFDB-1 in August 1946.



 You can find TAKOM on Facebook.com