

## **KC-135 Galley Set**

Includes galley, airconditioning duct, & emergency pressure release port. For all 1/72 scale KC-135 models.

STOCK # 45012

**1/72  
Scale**

### Tools recommended

1. Hobby knife (SQUADRON PRODUCTS modeling scalpel #10601)
2. Razor saw ( fine toothed)
3. Metal files (SQUADRON PRODUCTS needle file set #10701)
4. Sandpaper ( various grits from 220 to 600 grit)
5. Cyanoacrylate glue ("SUPER GLUE") or a 5-minute epoxy
6. Glue applicator (SQUADRON PRODUCTS precision glue applicator #10204)
7. Tweezers (SQUADRON PRODUCTS fine point tweezers #10303)
8. Filler putty (SQUADRON PRODUCTS White Putty #SQ9060 or Green Putty #SQ9050)
9. Drill bits and pin vise

### How to work with resin products

1. Removal of the resin part from the sprue may be done by carefully carving the part free from the sprue with a hobby knife, or by cutting the part off the sprue with a razor saw. **Note:** It is best to cut just below the part leaving a slight amount of sprue attached to the part since this will help avoid any unforeseen damage that could occur to the part.
2. To clean up the sprue attachment point or other rough areas that might be found on the part, use either metal files or sandpaper in grits 220 thru 600. The coarseness of the sandpaper or metal file will be determined by how much resin material will have to be removed, but bear in mind that resin is softer than plastic and sands much faster.
3. Gluing resin can be done by using a cyanoacrylate glue ("SUPER GLUE") that is slow setting or a 5-minute epoxy. The slower setting cyanoacrylate glue or epoxy will allow you to properly position the part before the glue sets.

### Correcting mistakes and fixing broken or damaged parts

1. **Part is glued in wrong place:** Pry the resin part from the model using a small pointed rigid object but keep in mind that resin is more brittle than plastic and can break fairly easy around thin sections. You can remove the glue by soaking the part in a glue remover or by sanding the glue off.
2. **Broken pieces:** Test fit the broken pieces together before gluing. Once you are satisfied with the fit, you may glue the broken pieces together with either cyanoacrylate glue or 5-minute epoxy. **Note:** You may have to use tweezers to hold the part in place while the glue is setting.
3. **Filling seams, gaps, or air bubbles:** Filling any voids that might be found on the part or a seam where a resin part is glued to a plastic part may be done by applying Squadron green or white putty and then sanding to shape when the putty is dry. Remember if you are filling a seam where a resin part is glued to a plastic part (such as a resin nose cone glued to a plastic fuselage), the resin part is softer and will sand much faster than the plastic part.

### WARNING

**Wear eye protection when working with resin products. Nuisance dust may be generated when sanding or sawing resin parts.**

### Resin Painting Guide

**Wash all resin parts with a mild detergent to remove the mold release residue.**

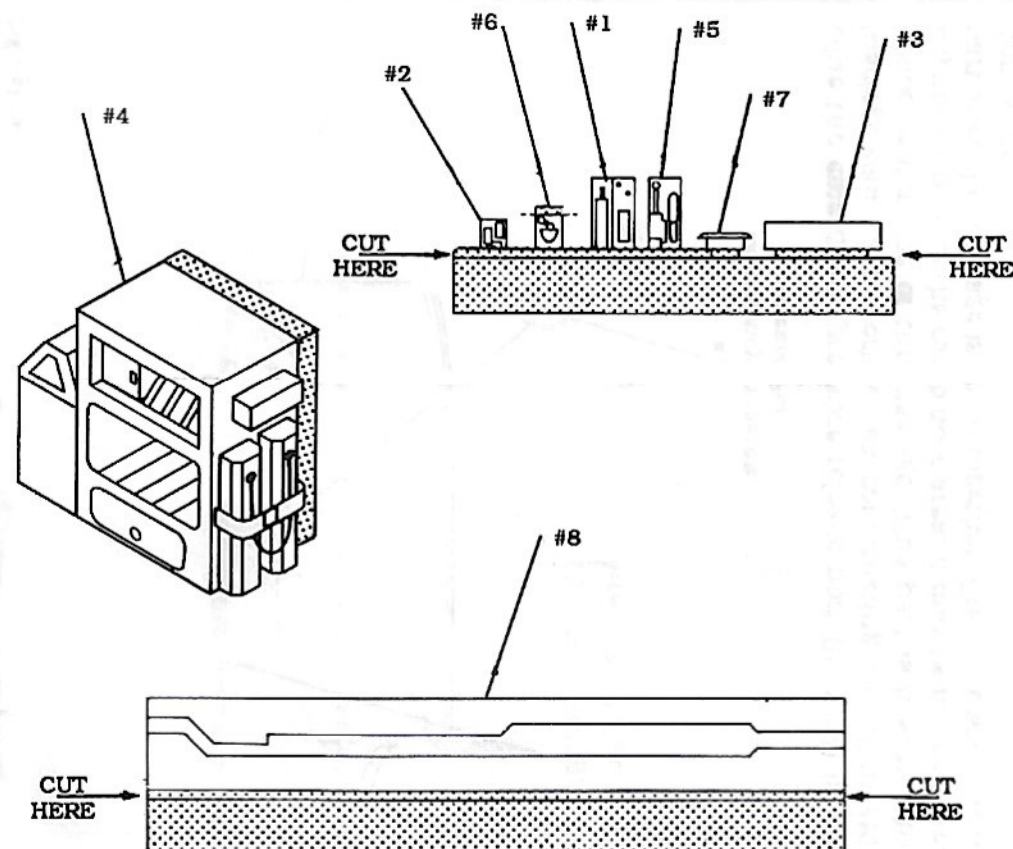
1. Use round pointed paint brushes, and flat dry brushing brushes. Leave the parts on the resin sprue while painting. It is best to temporarily mount the part on a base of some sort to make it easier to handle. One method is to white glue it to an empty thread spool or paint jar.
2. Spray the parts with the base color. When dry, give it a wash of Acrylic Flat Black or Light Gray to bring out the details. The wash ratios should be 85-90 percent thinner to 15-10 percent paint.
3. After the wash has dried thoroughly, follow up by dry brushing with a lightened shade of the base color. This can be obtained by adding 10 to 20 percent white to your base color.
4. Finally, paint small details such as switches, knobs, valves, handles, etc.. Refer to photos and other reference materials you have for the model you are working on.

### REFERENCE BOOKS

SQUADRON/SIGNAL PUBLICATIONS "IN ACTION" SERIES

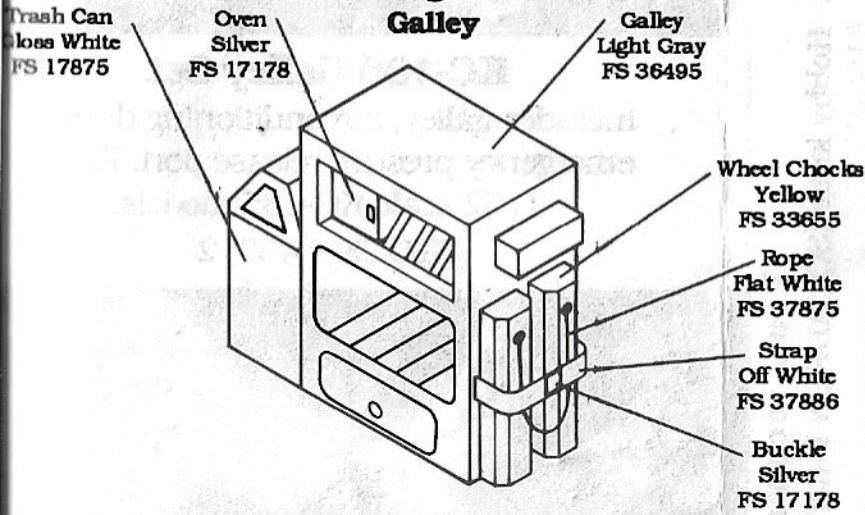
### Parts Identification

- |                                  |                                    |
|----------------------------------|------------------------------------|
| #1 Air conditioner control panel | #5 Hydraulic reservoir/pump        |
| #2 Warning horns                 | #6 Selector valve                  |
| #3 Tech order bookcase           | #7 Emergency pressure release port |
| #4 Galley                        | #8 Overhead air conditioner duct   |

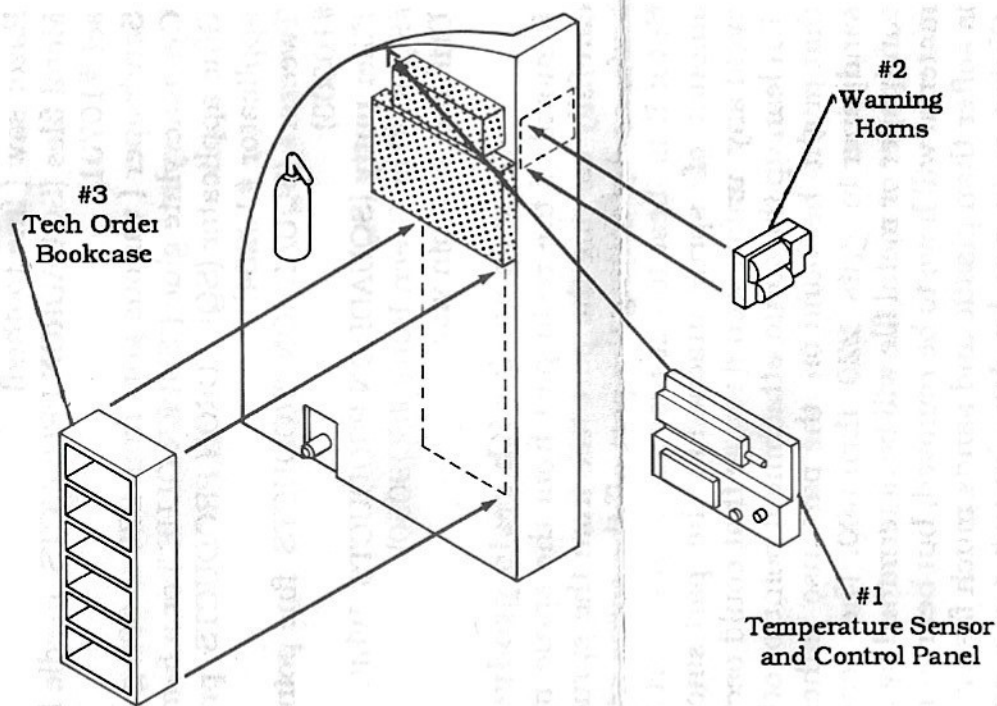


**Use a file and sandpaper to remove the shaded area from the parts. Light sanding is also required on the back sides of part # 1, 2, 5, 6, & 8 to insure the mounting surface is flat .**

### Painting Guide

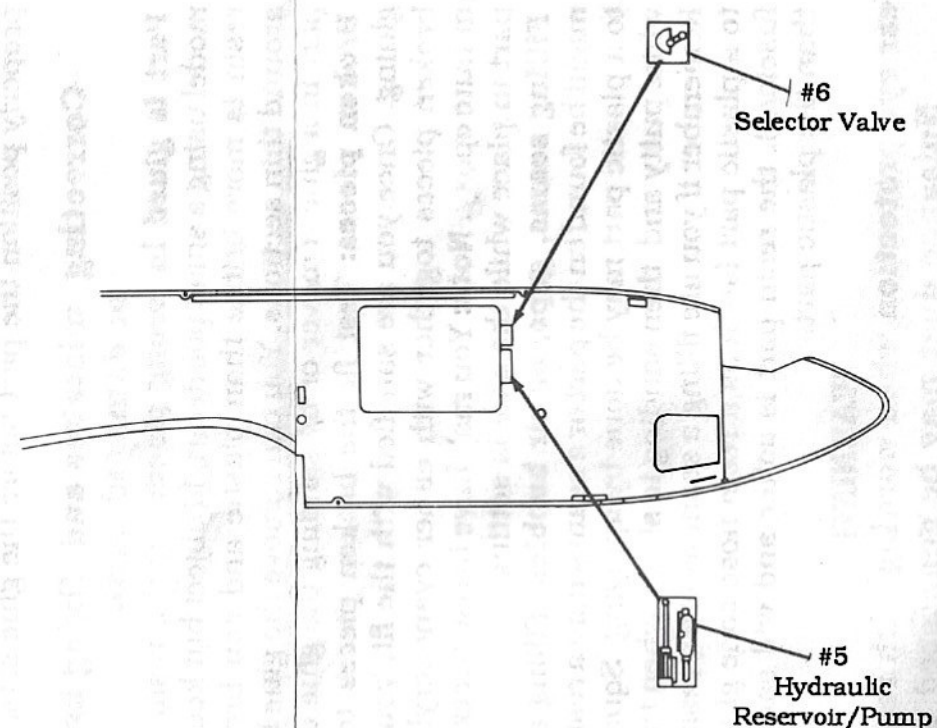


### Step 1



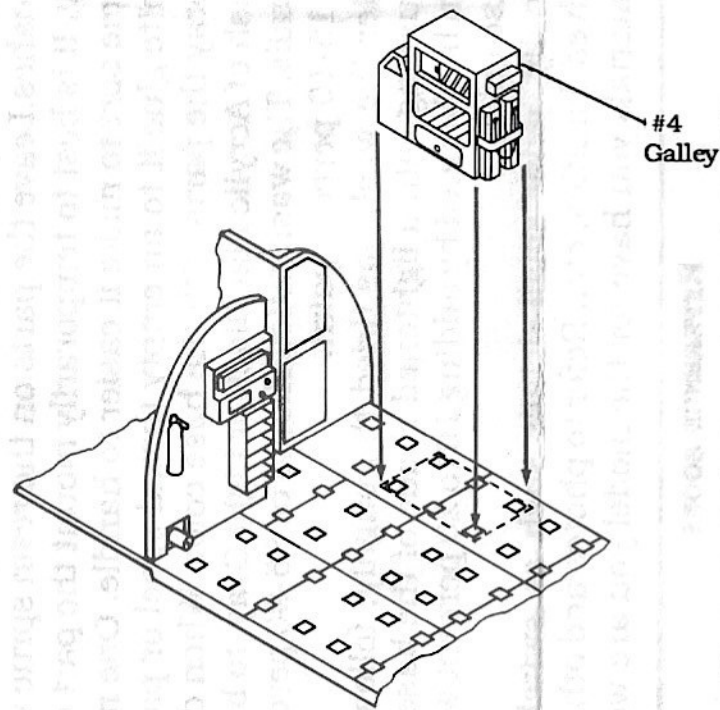
Remove the air conditioner control panel and temperature sensor boxes from rear toilet wall kit part 9. Glue the temperature sensor and control panel (Part #1) in place. The warning horns (Part #2) are glued to the edge of the bulkhead near the top of the doorway. The tech order bookcase (Part #3) is a locally manufactured item and was not installed on all aircraft. If you are going to use it, glue it in place on the bulkhead below the A/C control panel.

### Step 2



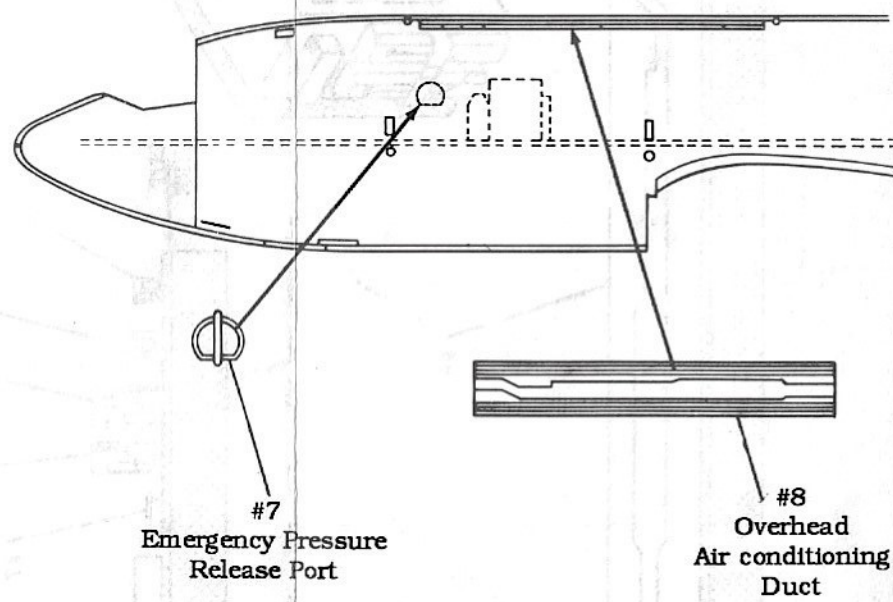
Glue the cargo door hydraulic reservoir/pump (Part #5) and the selector valve (Part #6) in place on the inside of the left fuselage. **NOTE:** Some test fitting and trimming is required here. The parts go between the rear toilet wall and the cargo door and are flush with the door opening.

### Step 3



The galley (Part #4) is glued to the floor centered between the 1st & 2nd rows of tiedown pads facing the cargo door opening. The trash can goes toward the cockpit, and is even with the 3rd set of pads.

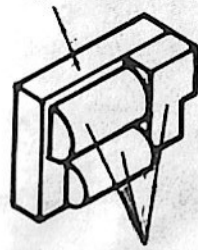
### Step 4



Glue the emergency pressure release port (Part #7) in place on the right fuselage wall. The overhead air conditioning duct (Part #8) goes on the top inside center line of the fuselage. This part is designed to fit between the alignment pins in the cargo door area. It may be more convenient to add this part after the fuselage is glued together. Continue with the normal construction of the kit.

### Warning Horns

Mounting Plates Gray FS 36495



Horns Gloss Black FS 17038

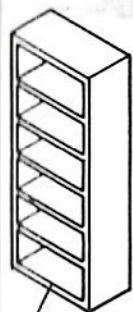
### Pressure Release Port

Mounting Ring & Safety Bar  
Gloss Red FS 11105



Pressure Release Door  
Paint Same Color As Fuselage Interior

### Tech Order Book Case



Book Case  
Light Gray  
FS36495

### Cargo Door Controls

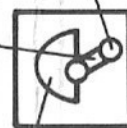
Hand Grip  
Black FS 37038

Knob  
Black FS 37038



Control Handle  
Silver FS 17178

Hydraulic Tank  
Silver FS 17178



Selector Valve  
Black FS 37038

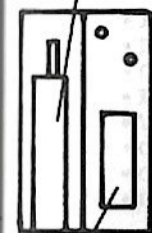
Pump Handle  
White FS 37875

### Air Conditioning Duct & Controls

Mounting Plates Gray FS 36495

Temperature Sensor  
Black FS 37038

Wires  
Off White  
FS 37886



Control Panel  
White FS 17178

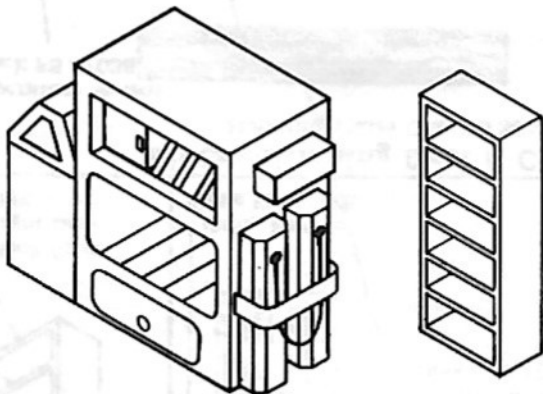
A/C Duct  
Silver FS 17178 or Light Gray FS 36495

Wires  
Off White  
FS 37886

# Turn your model into a **True Detail** masterpiece

Resin Cast parts including:

- Complete painting instructions
- Complete installation instructions
- Galley & trash can
- A/C duct & control panel
- Emergency pressure release port
- Cargo door hydraulic pump
- Emergency warning horns
- Tech order bookcase



Distributed in the U.S.A. by

MMD "The Plastic Place"

1115 Crowley Drive

Carrollton, Texas 75011-5010

**NOT SUITABLE FOR CHILDREN**

Made in USA