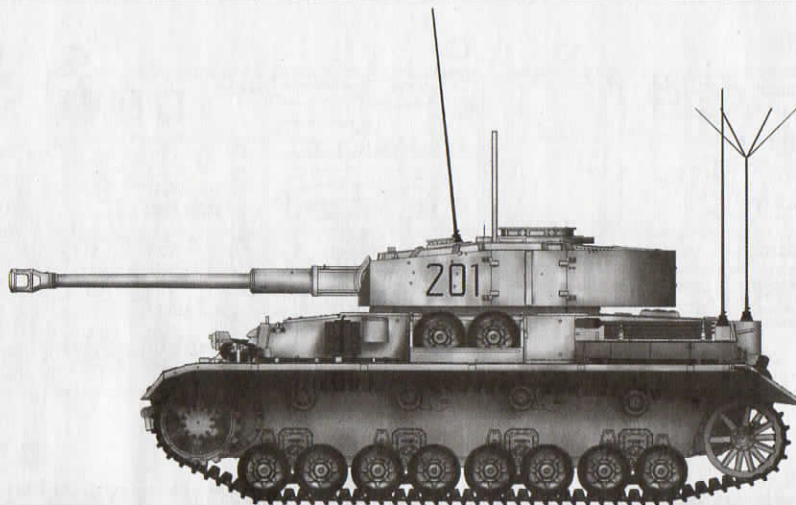


1/16 SCALE

ITEM NO.:00922



# German Pz.Beob.Wg. IV Ausf.J Medium Tank

## 德国四号观测型中型坦克

### READ BEFORE ASSEMBLY:

- This kit is not recommended for inexperienced modelers or for children under 14 years of age
- Study and understand these instructions thoroughly before beginning assembly
- When needed, remove photo-etch parts carefully using a modeling knife or photo etch sprue cutter, being careful not to damage or lose small parts.
- Take extra care in handling photo etch parts in order to avoid injury
- Apply instant cement sparingly to photo etch parts where instructed
- Tools recommended(not included in kit):Plastic and instant cements,sprue cutters,long nose pliers,modeling knife, small files, tweezers, pin vise & scissors. Soft cloth and sandpaper will also assist in construction
- Glue and paint are not included in the kit. Use plastic cement and hobby paints only. Color guide for purchasing paint is included in the kit.
- Keep out of reach of children. They must not be allowed to ingest small parts or handle plastic bags in any way.

### 装配之前仔细阅读

- 小心用模型锉刀锉平所有零件表面的注射浇口。
- 小心用刀片切下蚀刻片零件，不要遗失小零件。
- 用强力快干胶水粘合蚀刻片零件和金属轴。过量的快干胶水使用可能导致可动零件会粘住，小心涂胶。
- 取蚀刻片时应特别注意安全，防止利边划伤手指。
- 某些零件表面需贴水上贴纸，请选择在装配的同时进行。
- 推荐模型工具(自备)：胶水，水口剪刀，长咀钳，刀片，锉刀，镊子钳，钻，剪刀，瞬间快干胶。
- 软布同砂纸同时也应该是必备工具。
- 请使用塑料胶水和油漆，模型内不含。
- 谨防小孩吸吮塑料零件，或者将塑料袋套在头上，制作时应将套材远离小孩接触。
- 本产品不适合14岁以下没有经验的模型爱好者。

### 水贴纸的使用:

1. 从水贴纸上剪下印花;
2. 将印花放入温水中浸10秒, 然后放在干净布上.
3. 拿着印花纸板将印花移到模型上;
4. 手指蘸水将印花移到适当的位置;
5. 用软布轻压印花直至水干, 气泡消失.

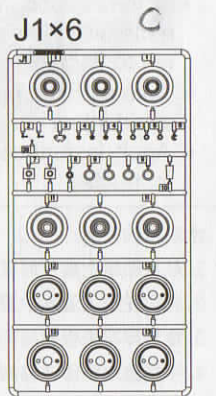
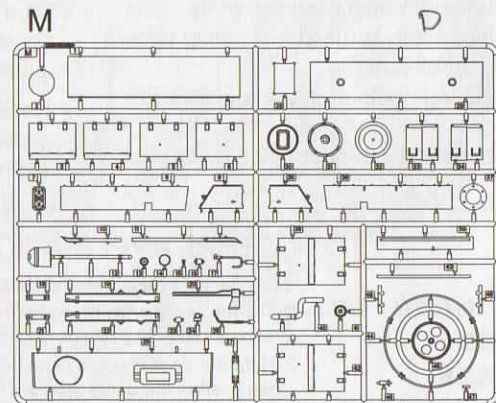
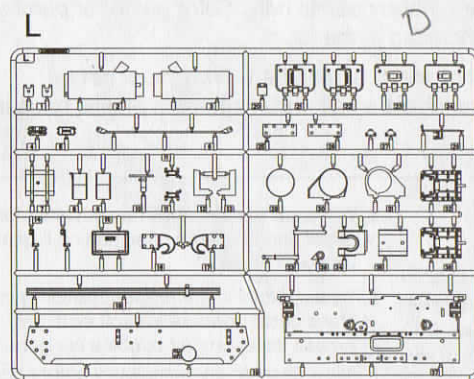
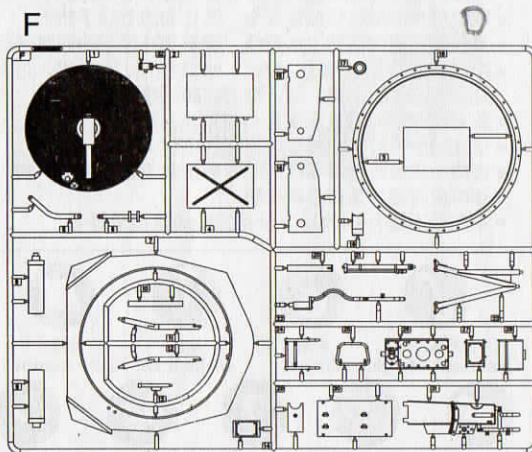
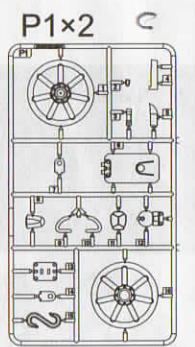
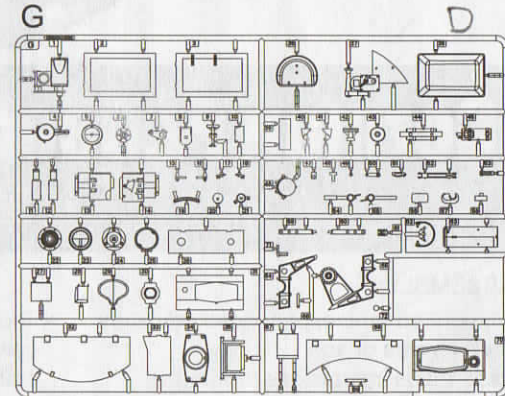
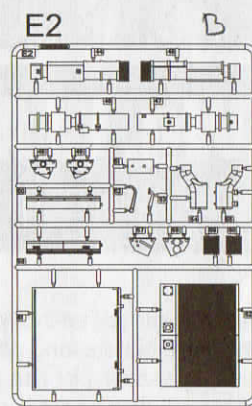
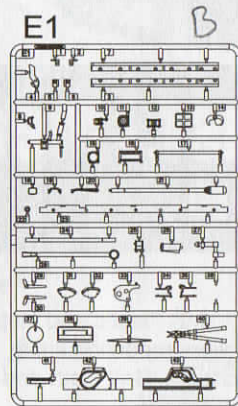
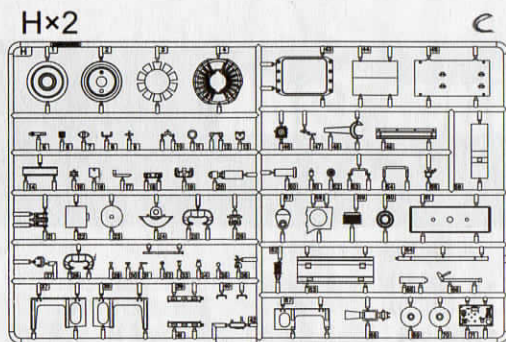
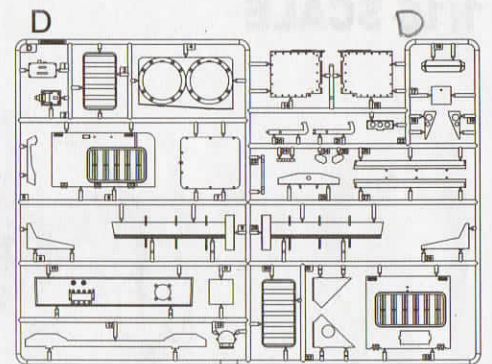
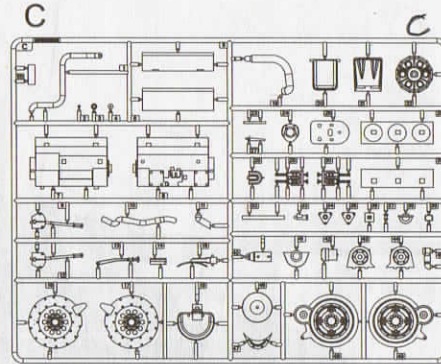
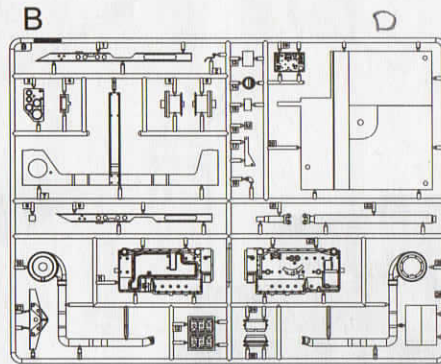
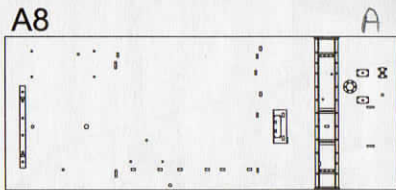
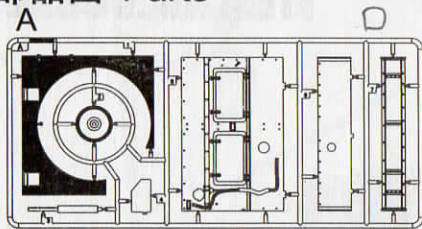
### DECAL APPLICATION:

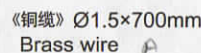
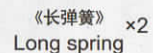
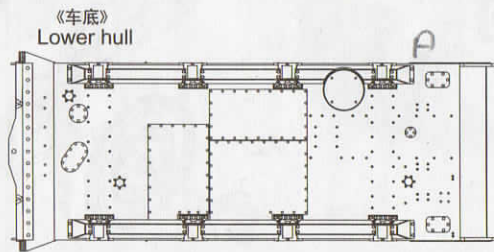
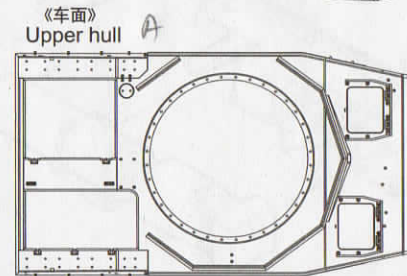
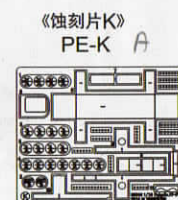
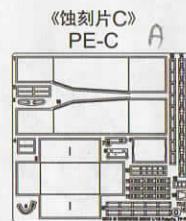
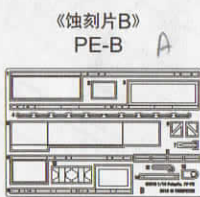
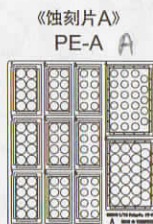
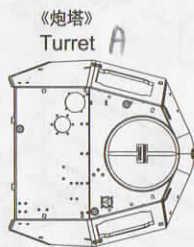
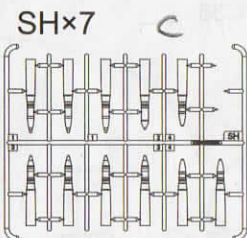
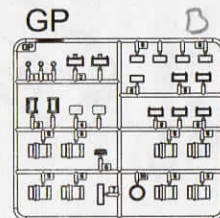
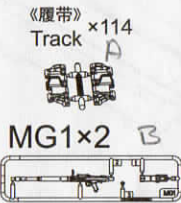
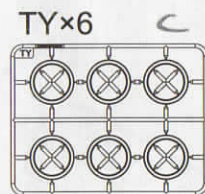
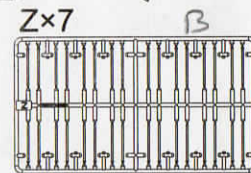
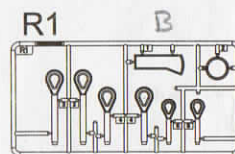
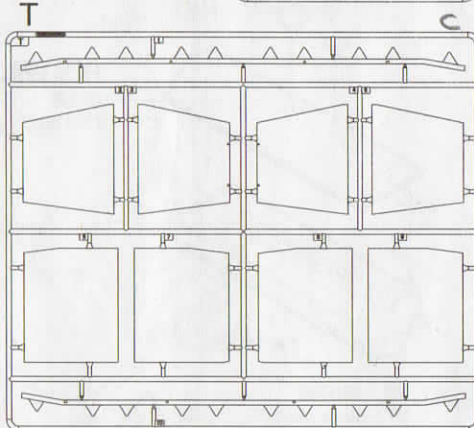
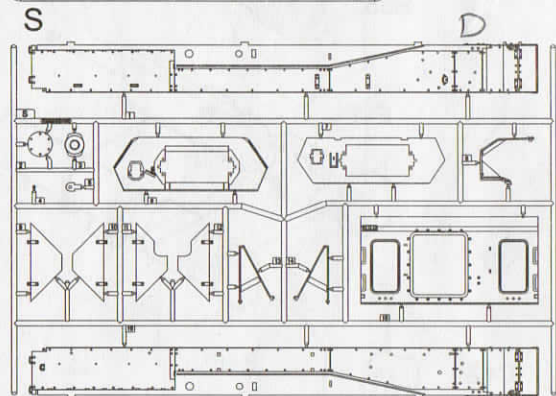
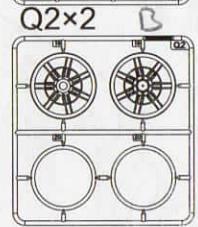
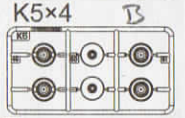
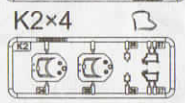
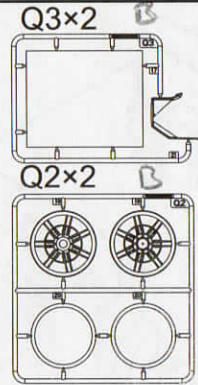
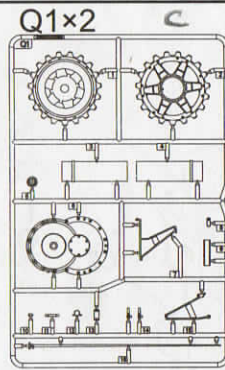
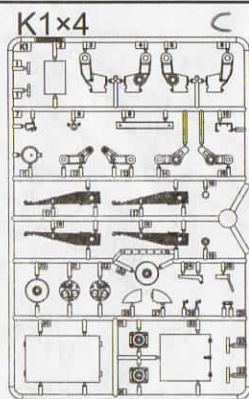
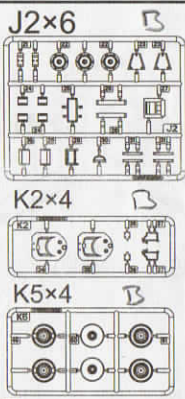
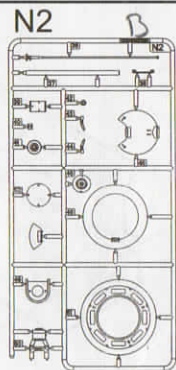
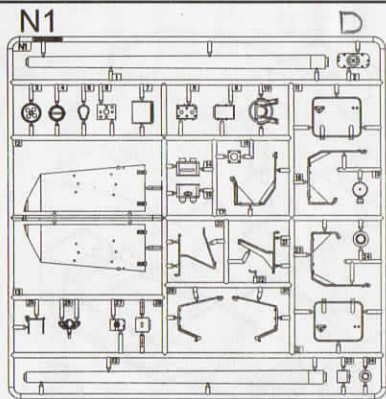
1. Cut decals from sheet as needed
2. Dip the decal in warm water for about 10 seconds and then place on soft clean cloth.
3. Hold the decal backing sheet edge and gently slide the decal onto the model in its proper position.

4. While still wet, decal can be adjusted for better fit on model by dampening it gently with your finger.
5. When placed in the proper position, gently press decal down with a soft cloth until excess water and air bubbles are gone.
6. Allow decal to dry completely before handling model

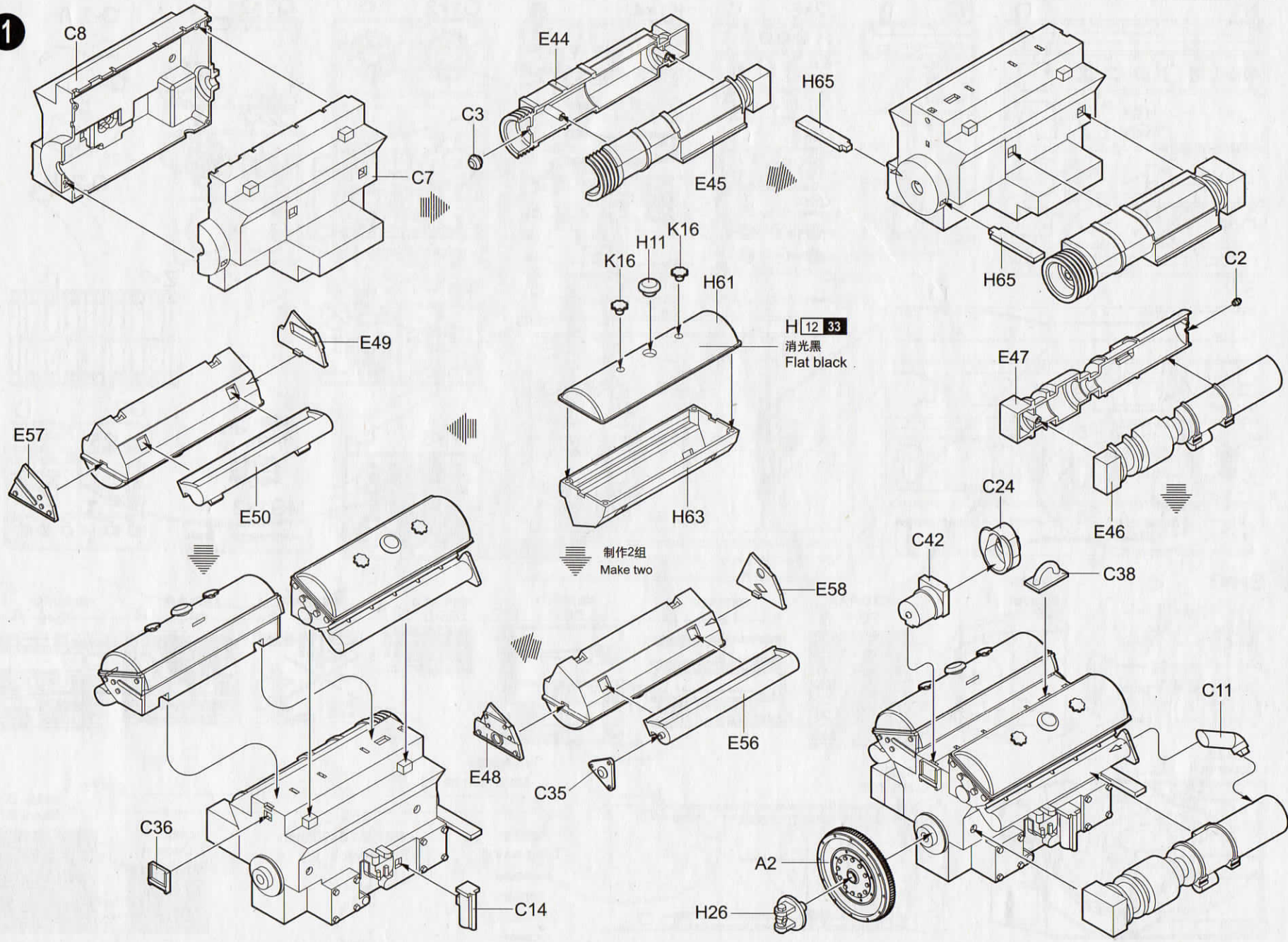


部品图 Parts

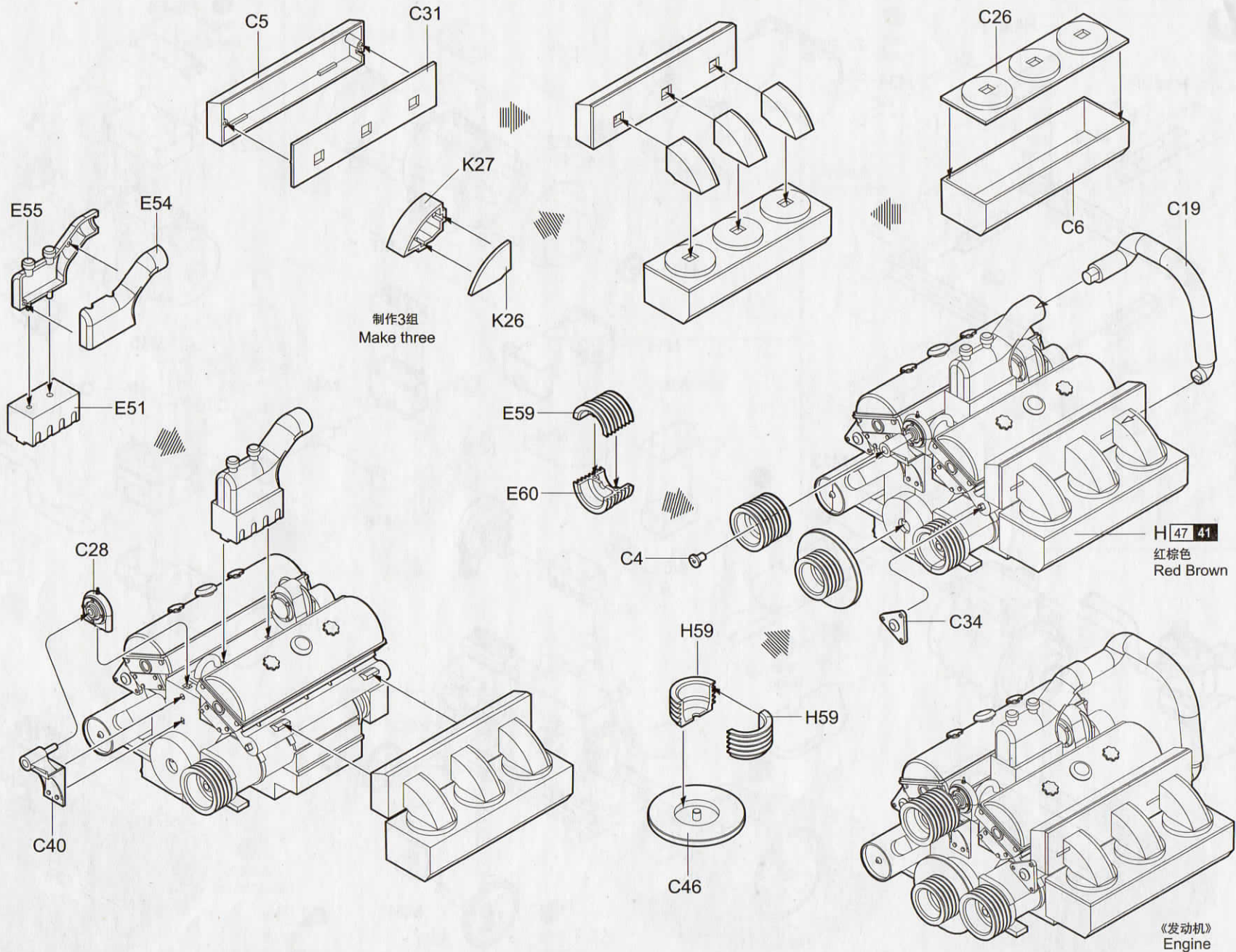




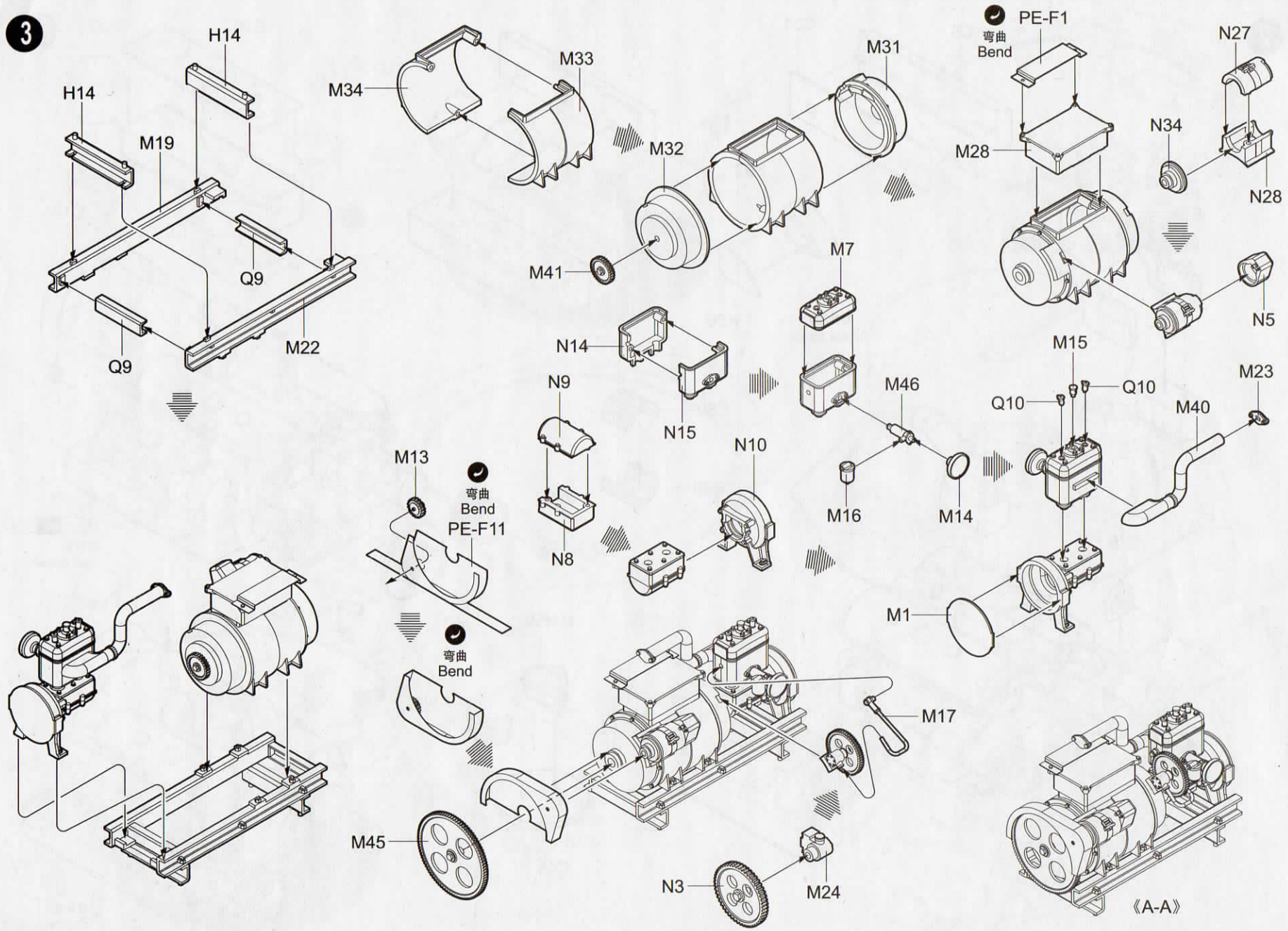
1



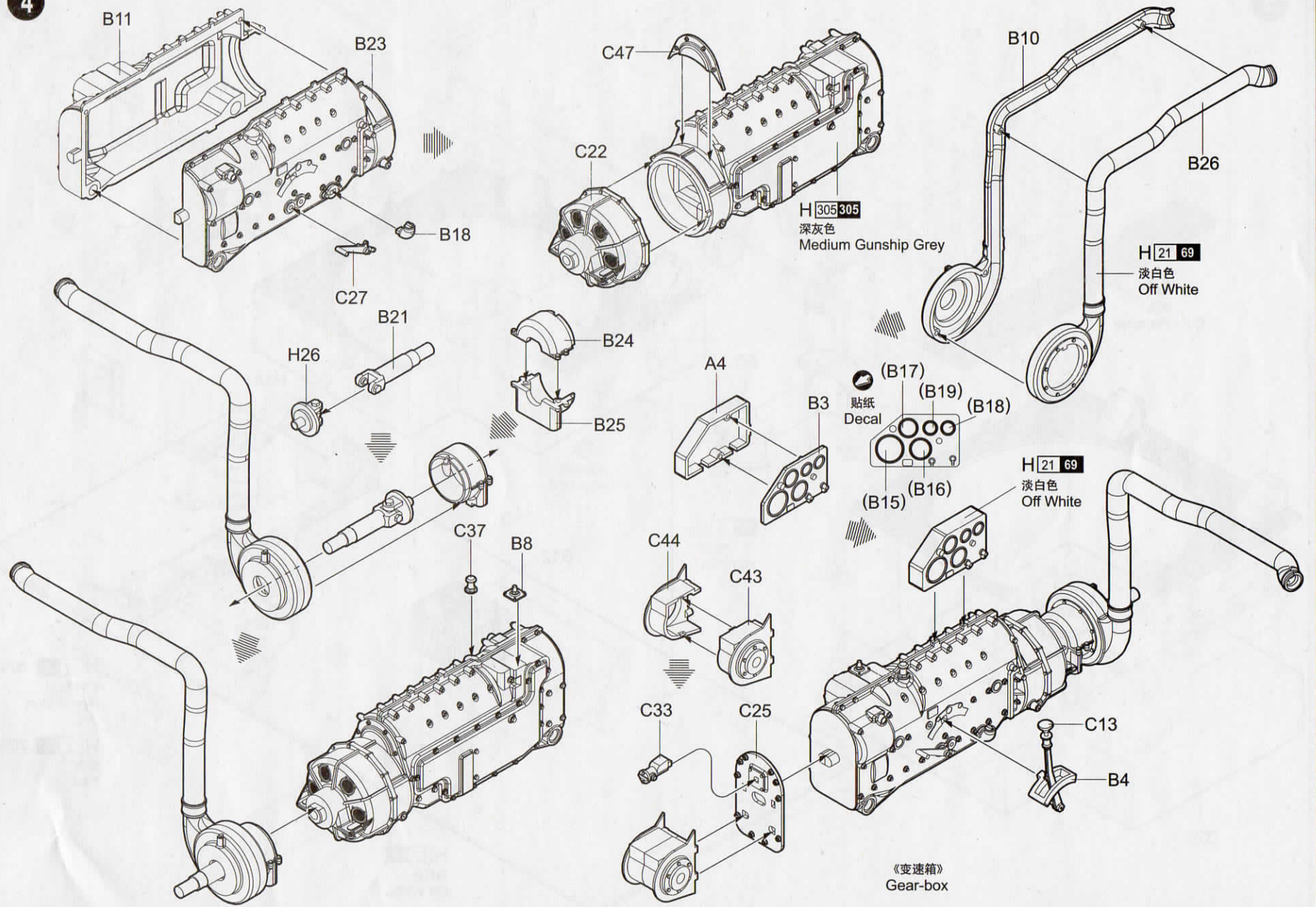
2



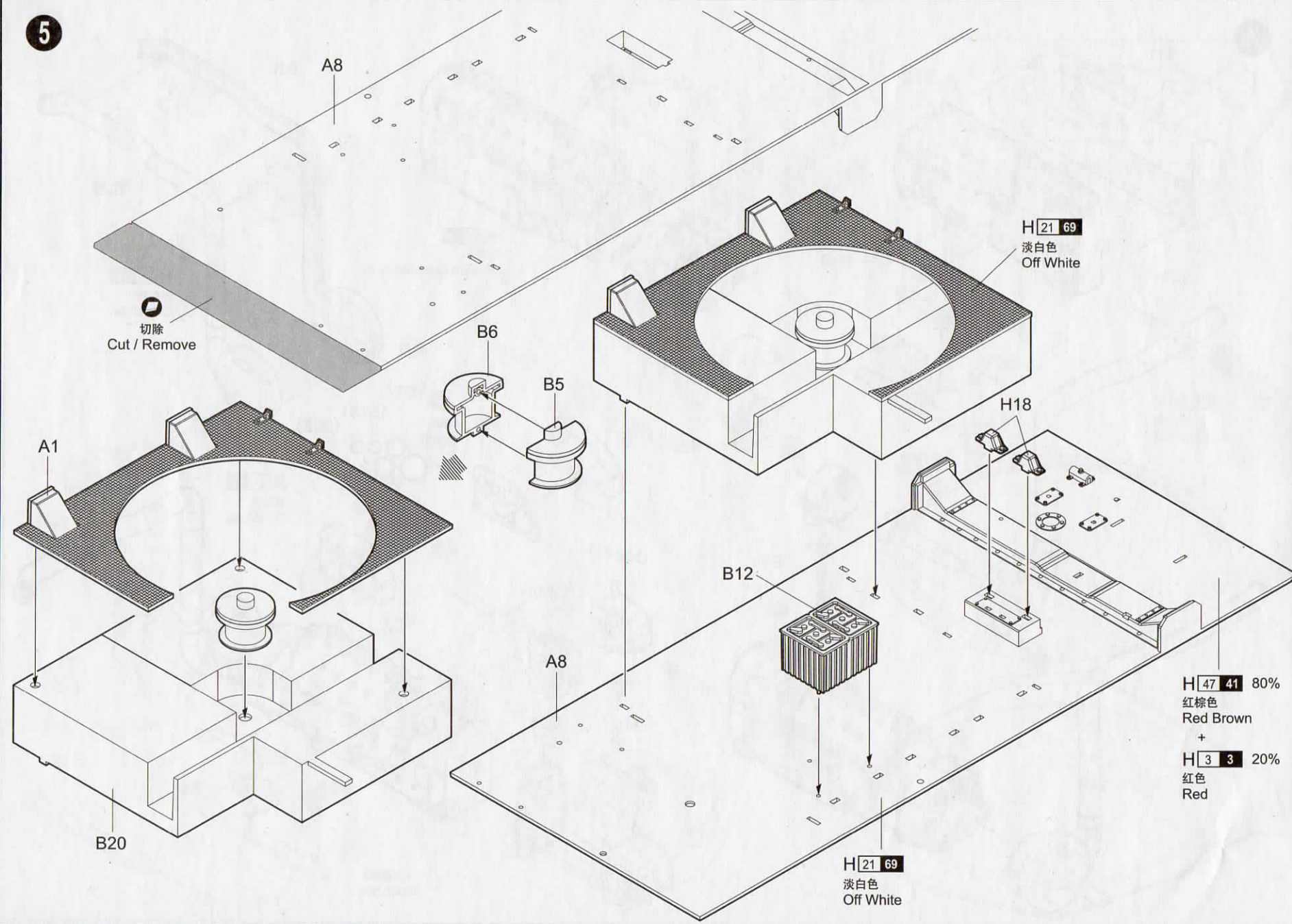
3



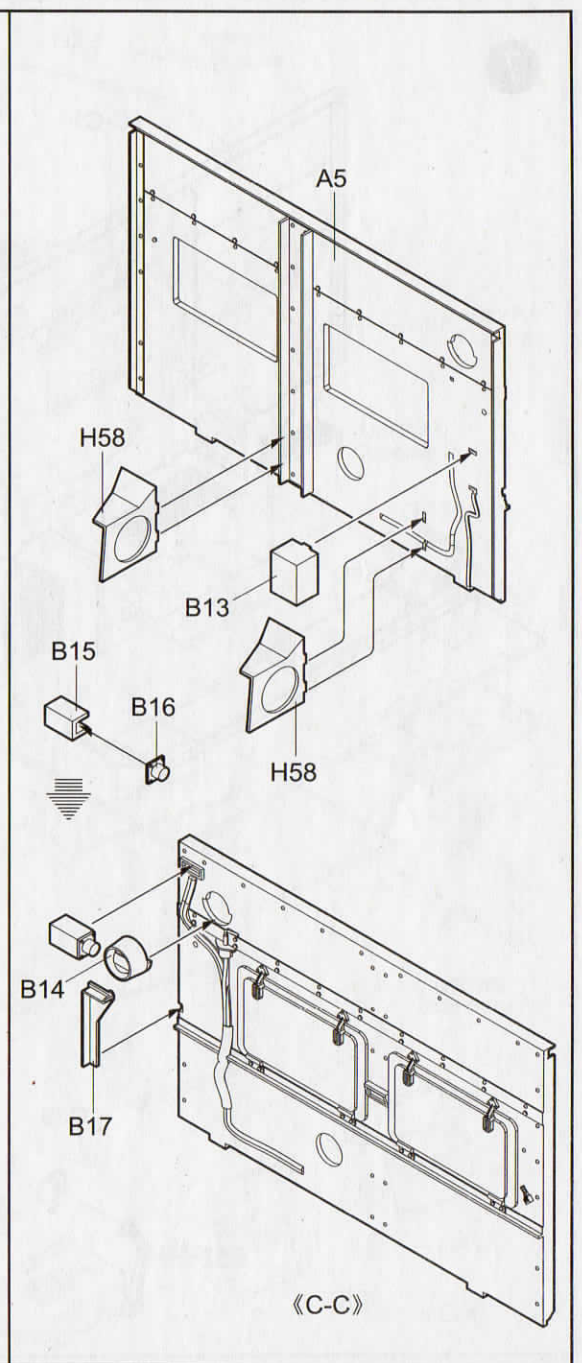
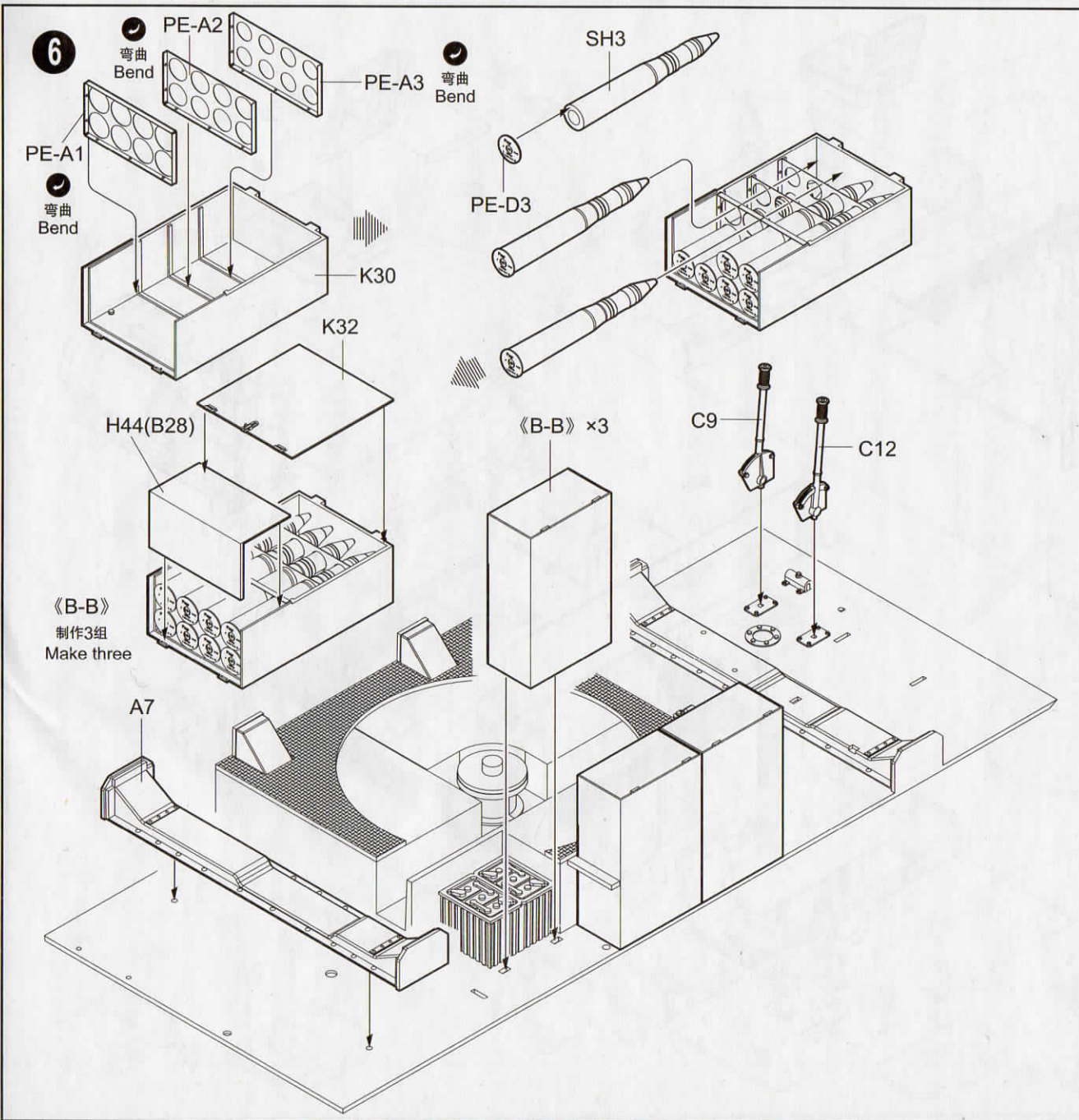
4



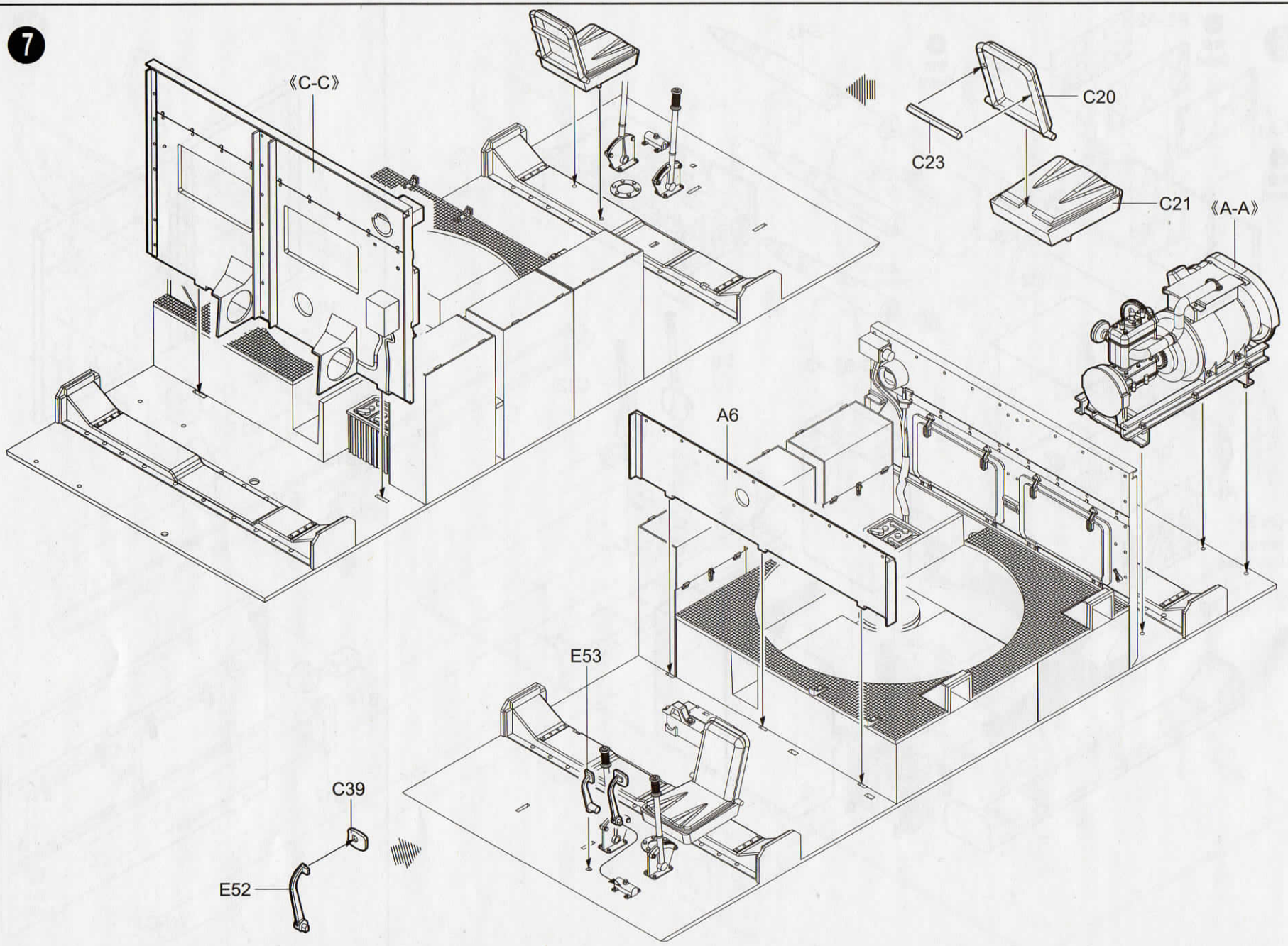
5

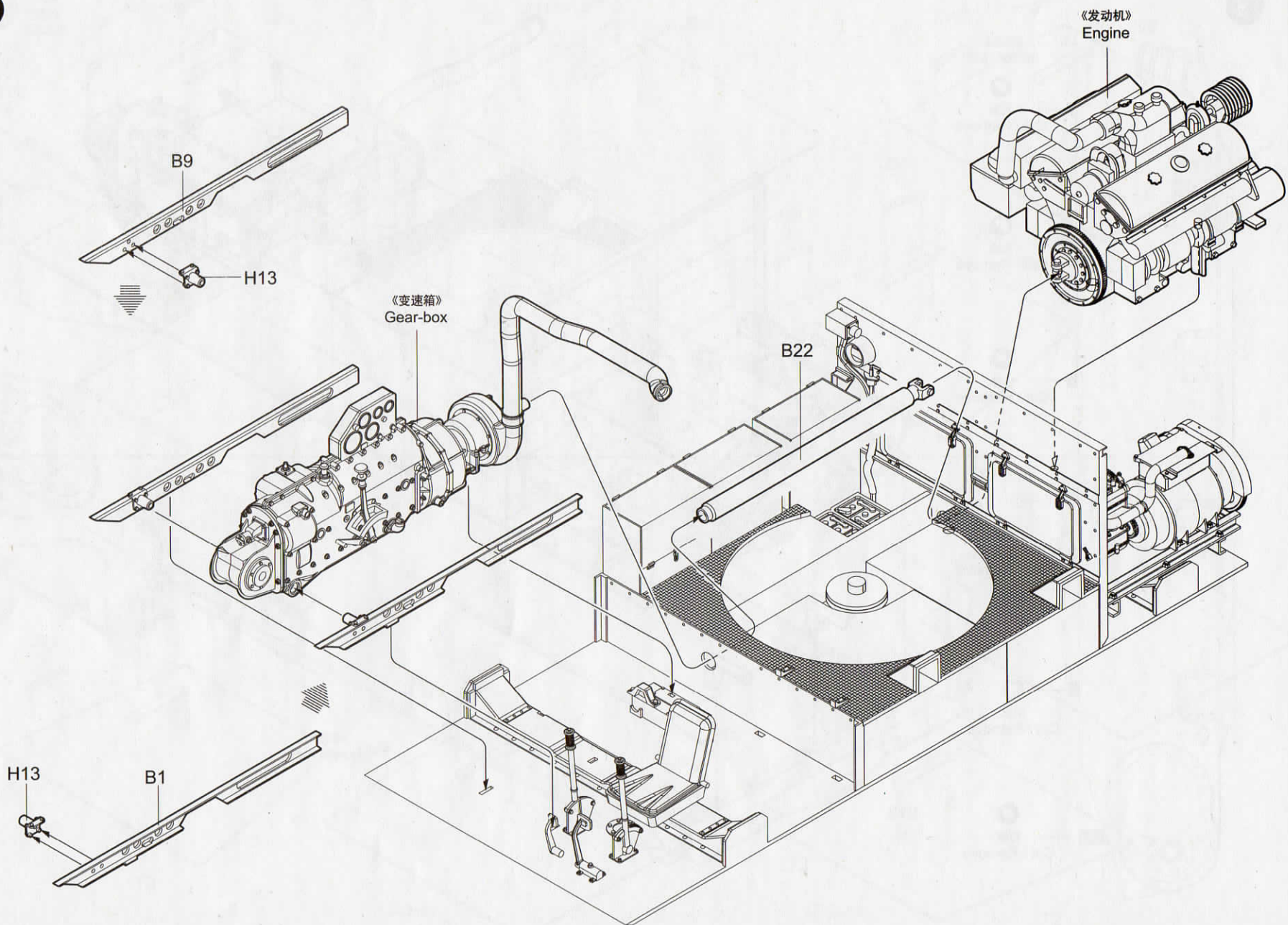




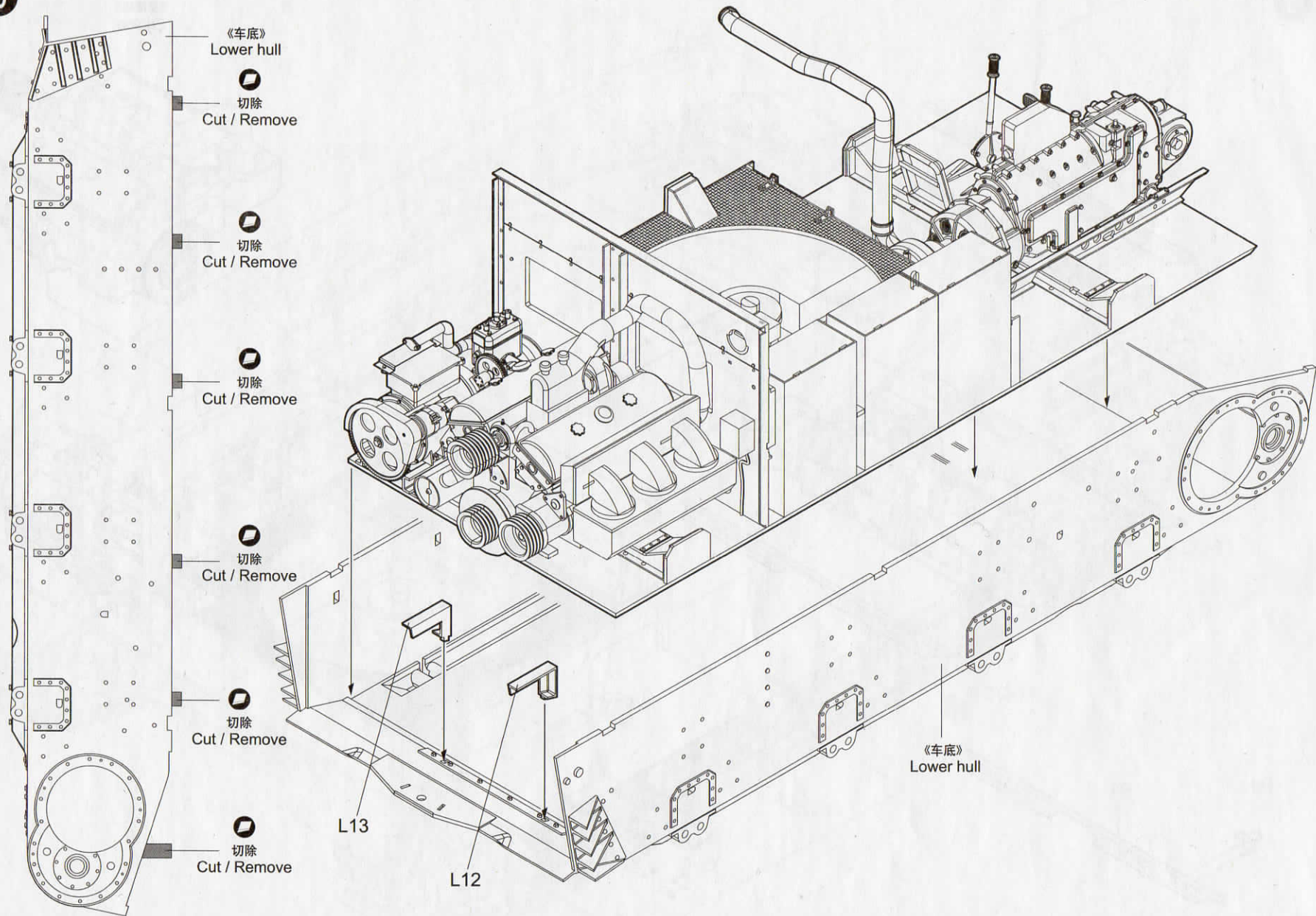


7

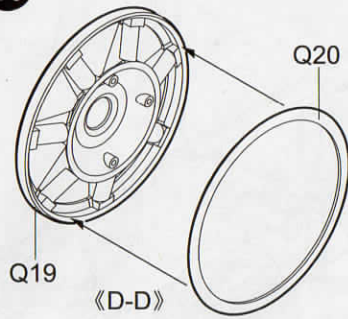




9

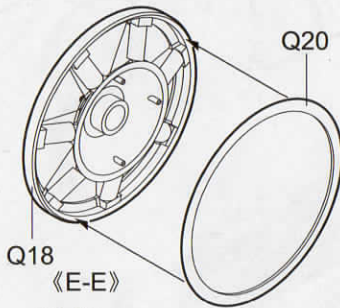


10



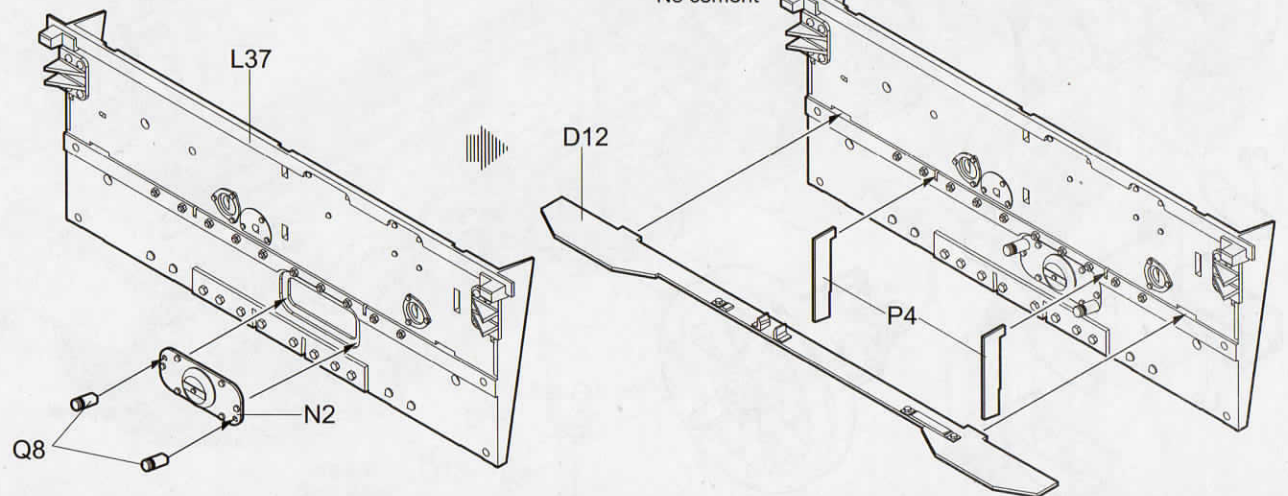
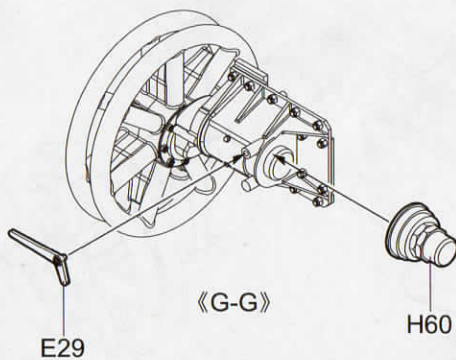
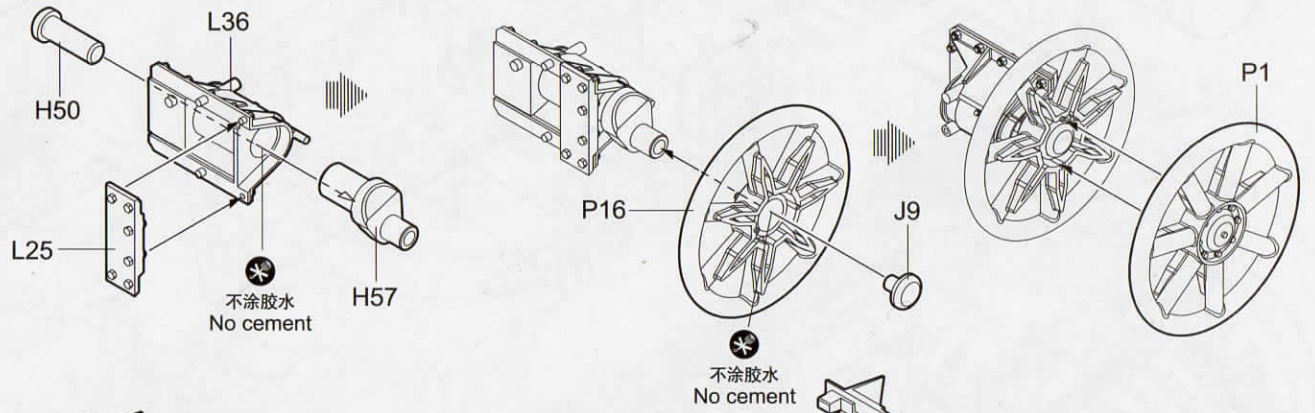
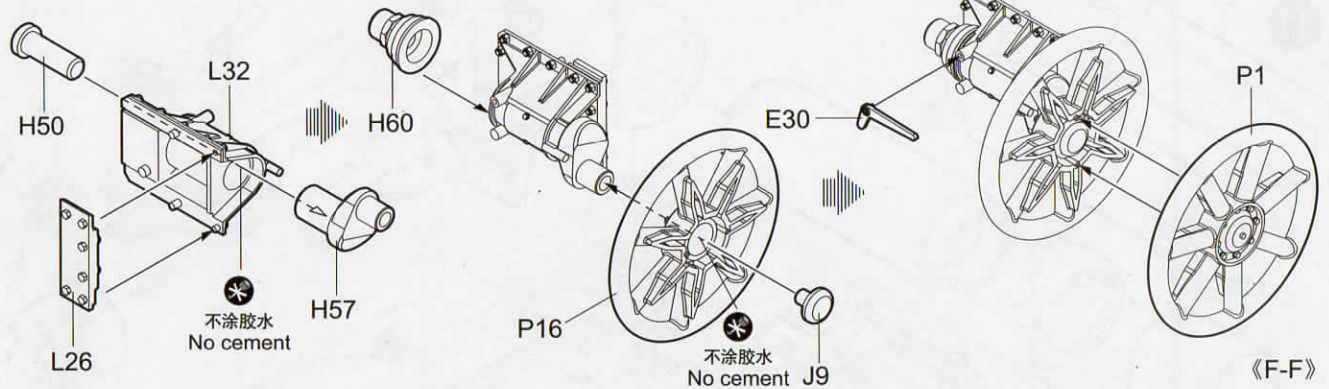
《D-D》

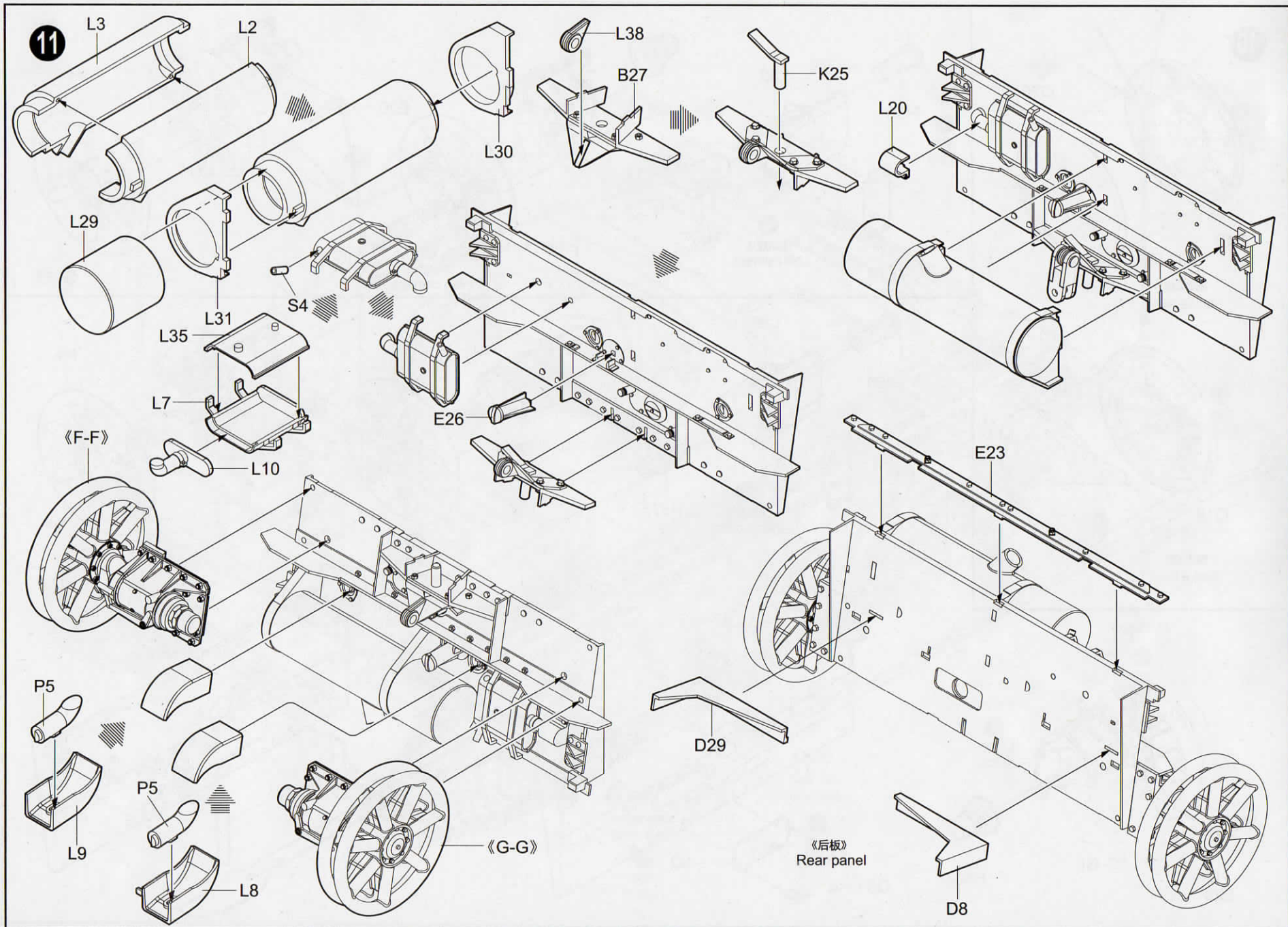
制作2组  
Make two

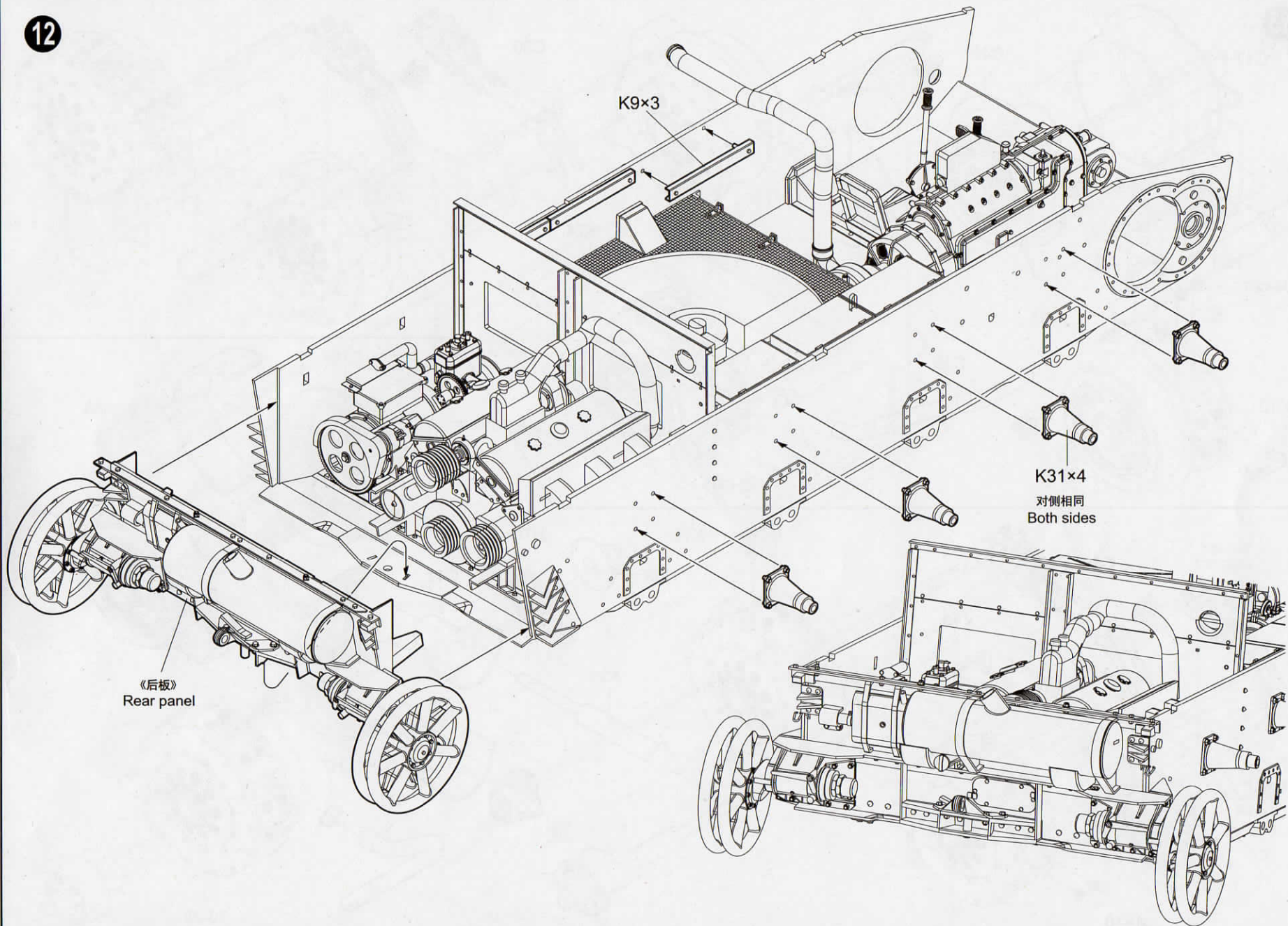


《E-E》

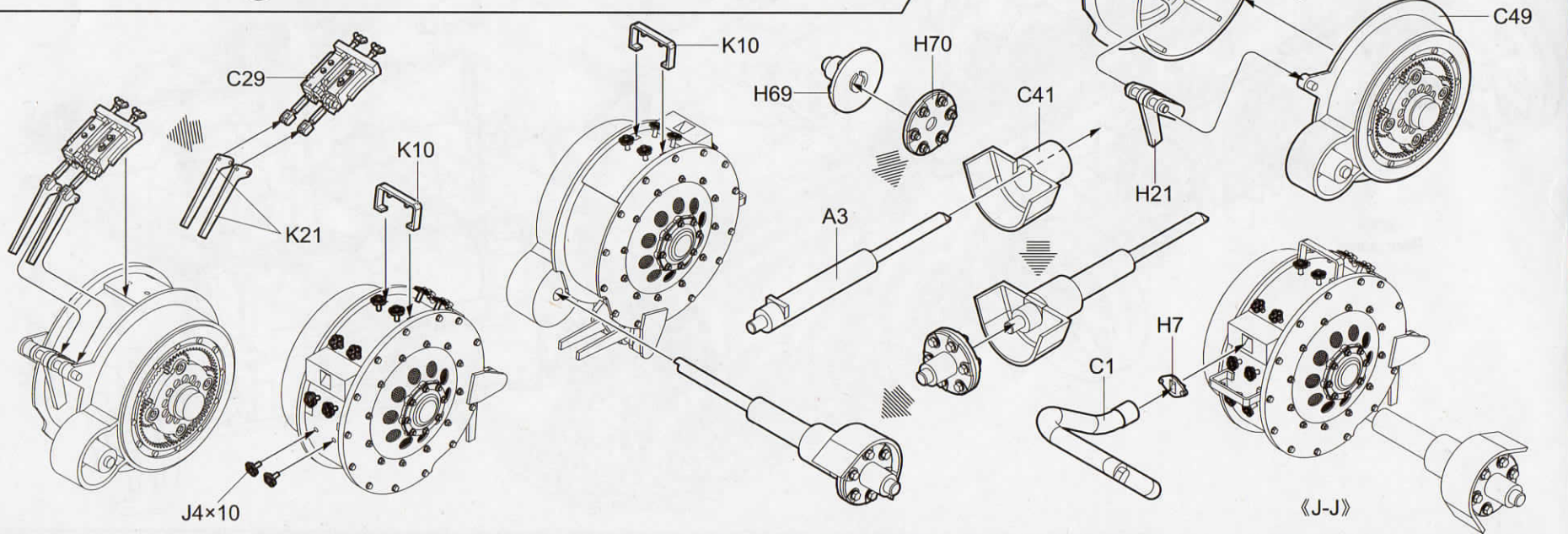
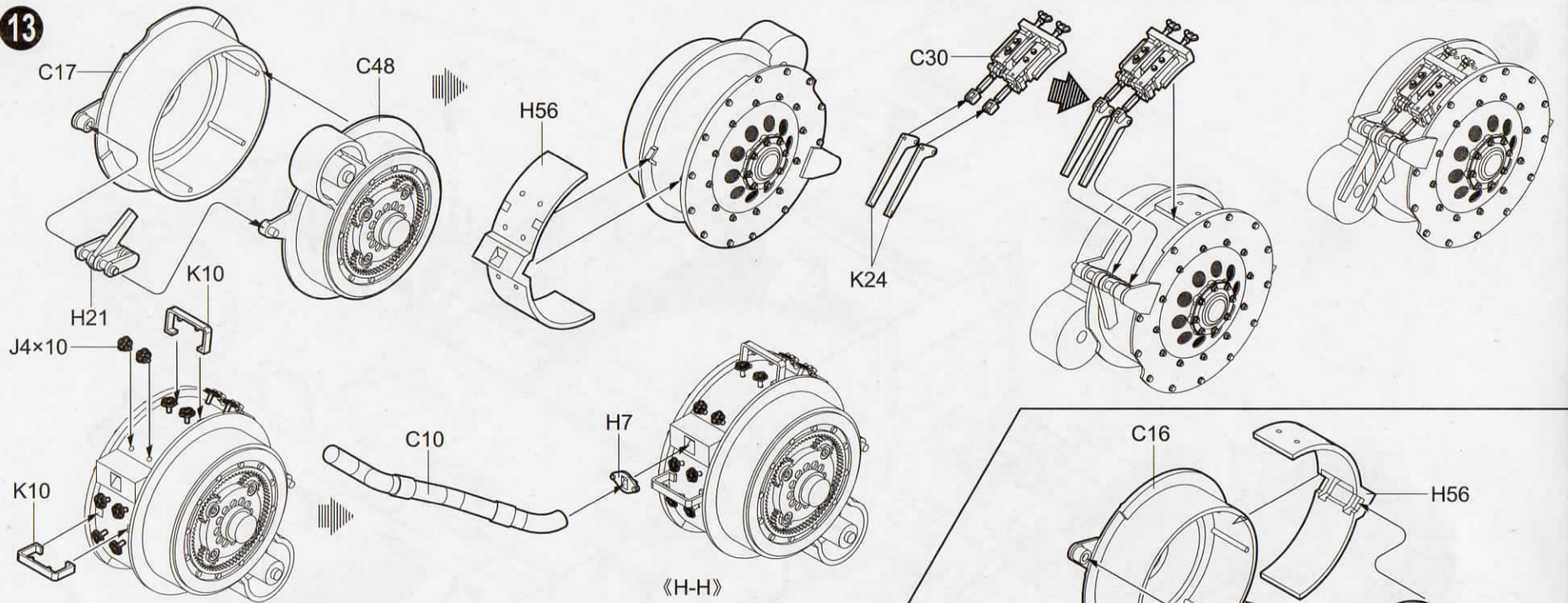
制作2组  
Make two





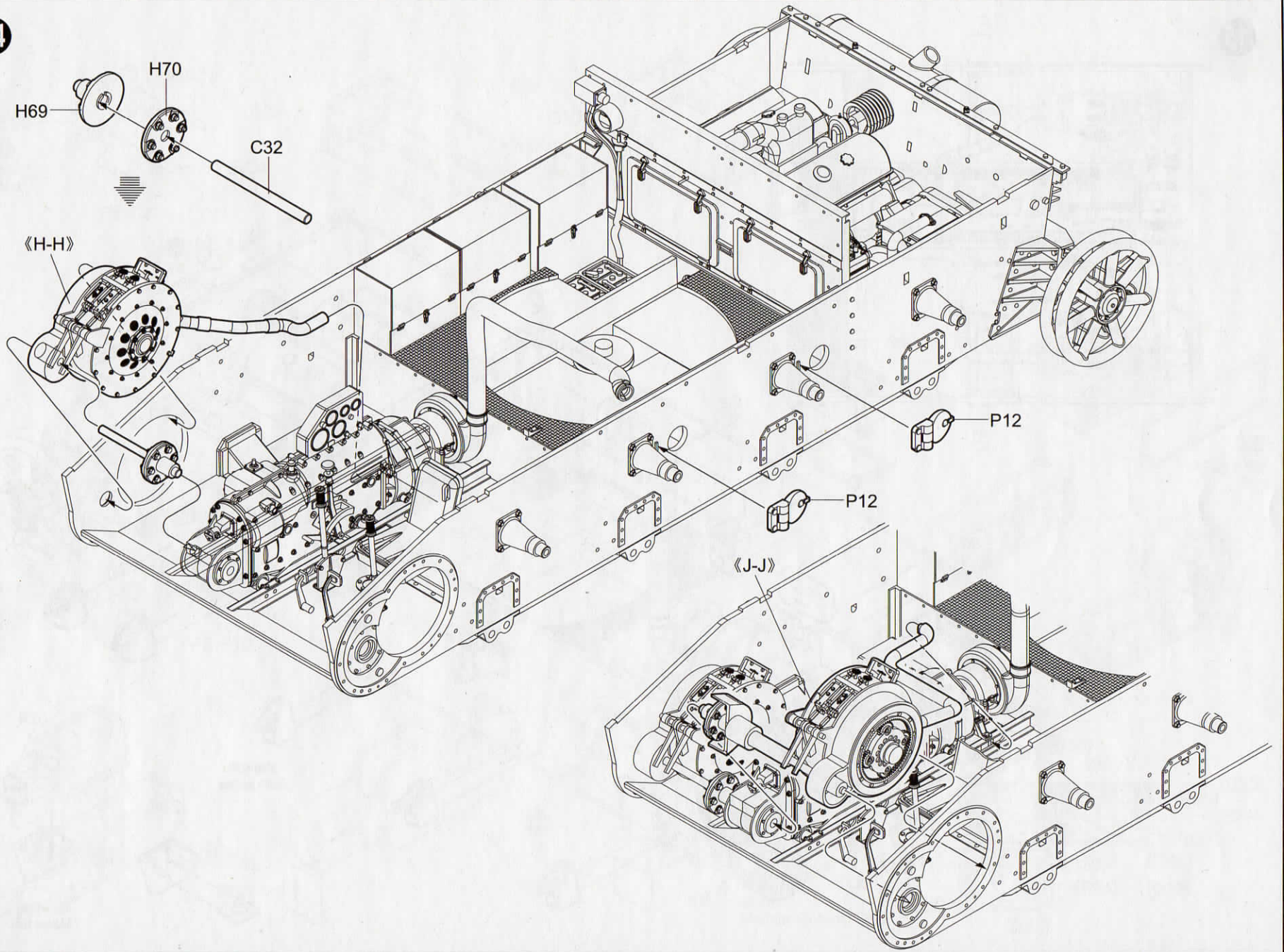


13

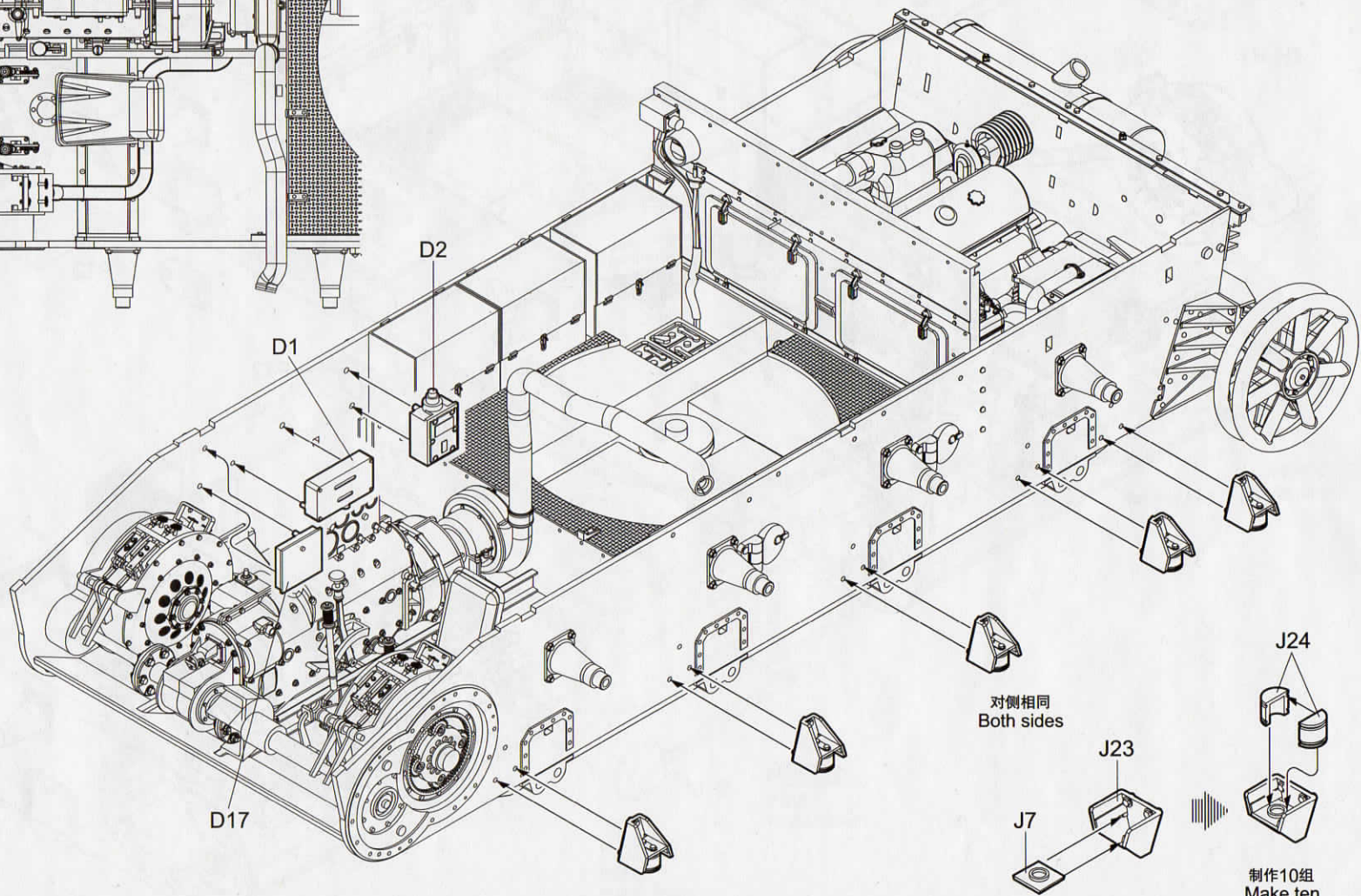
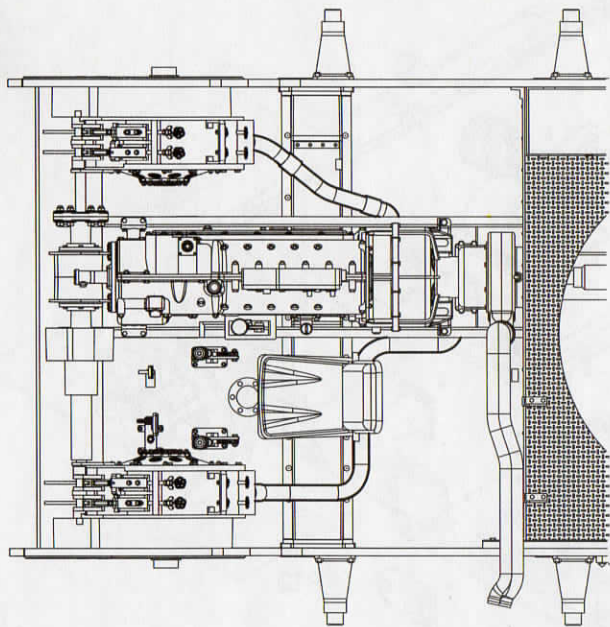




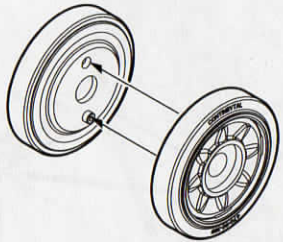
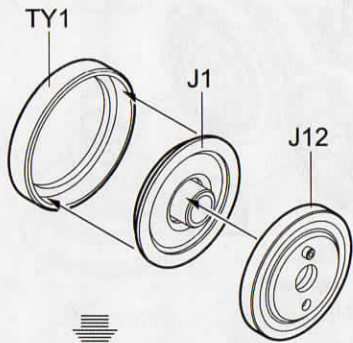
14



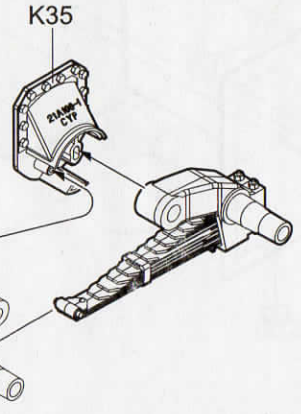
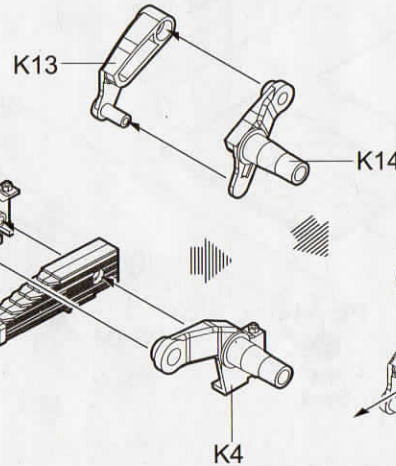
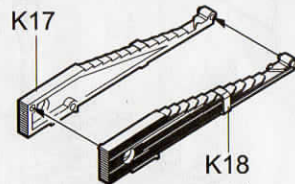
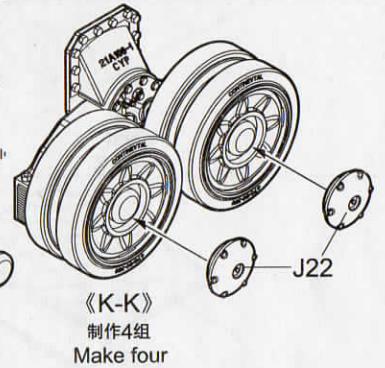
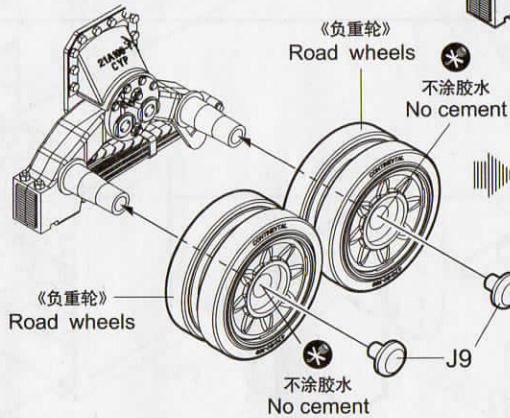
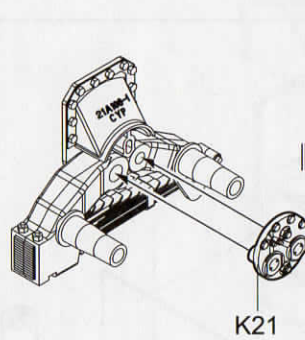
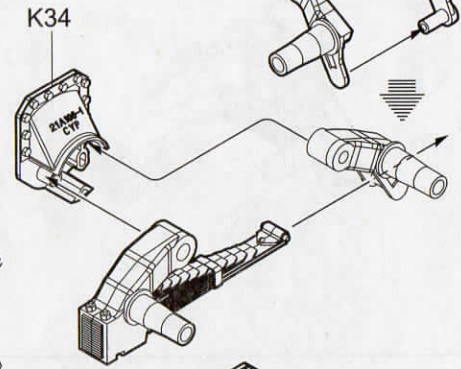
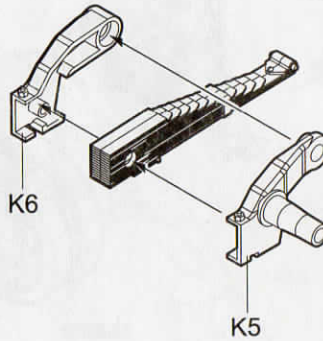
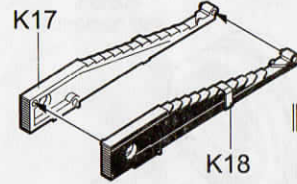
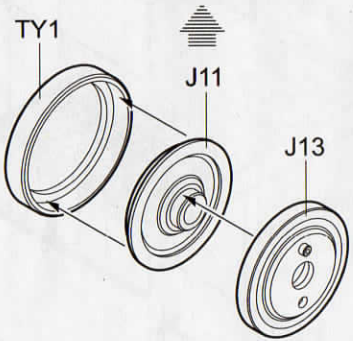
15



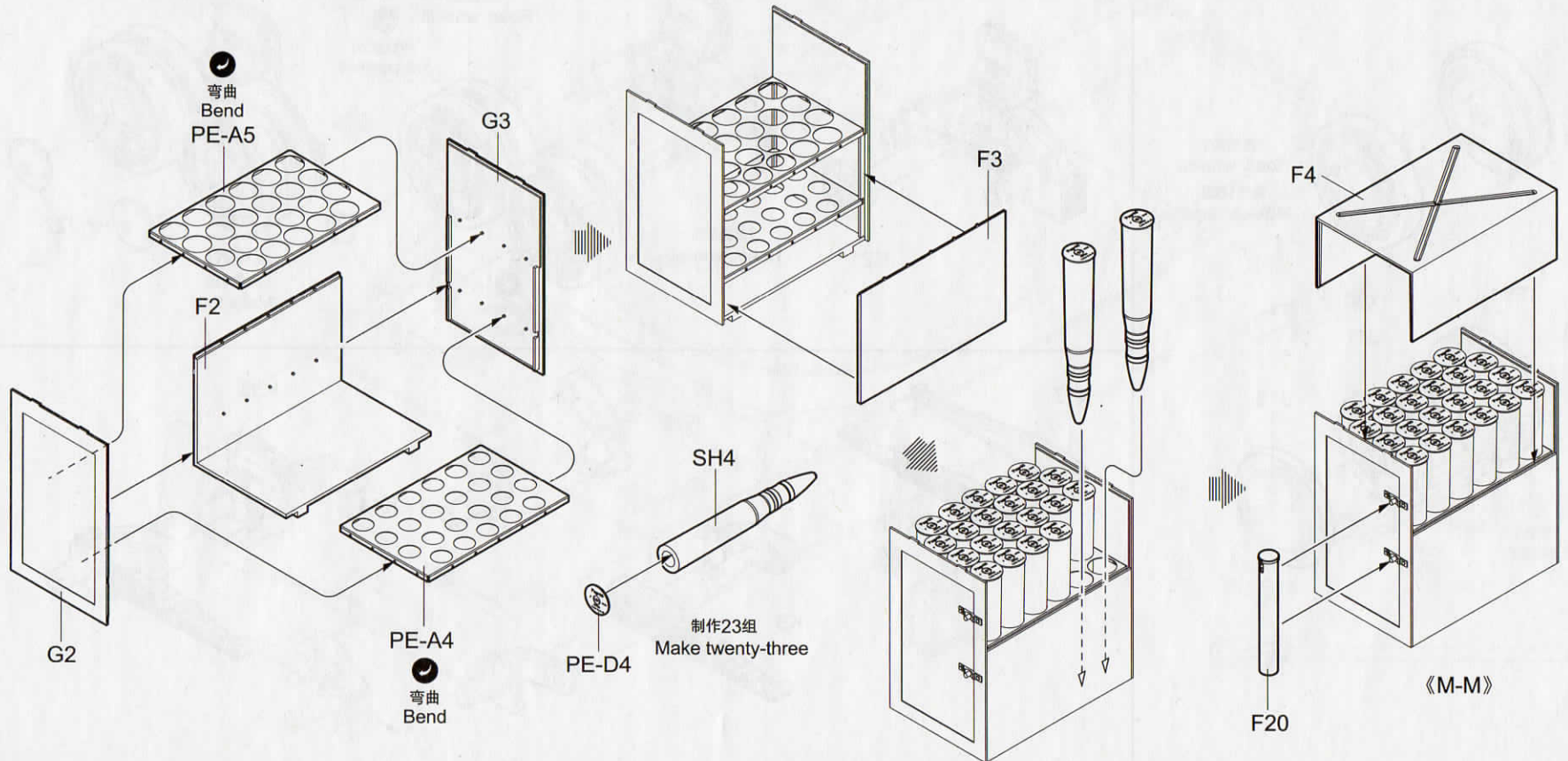
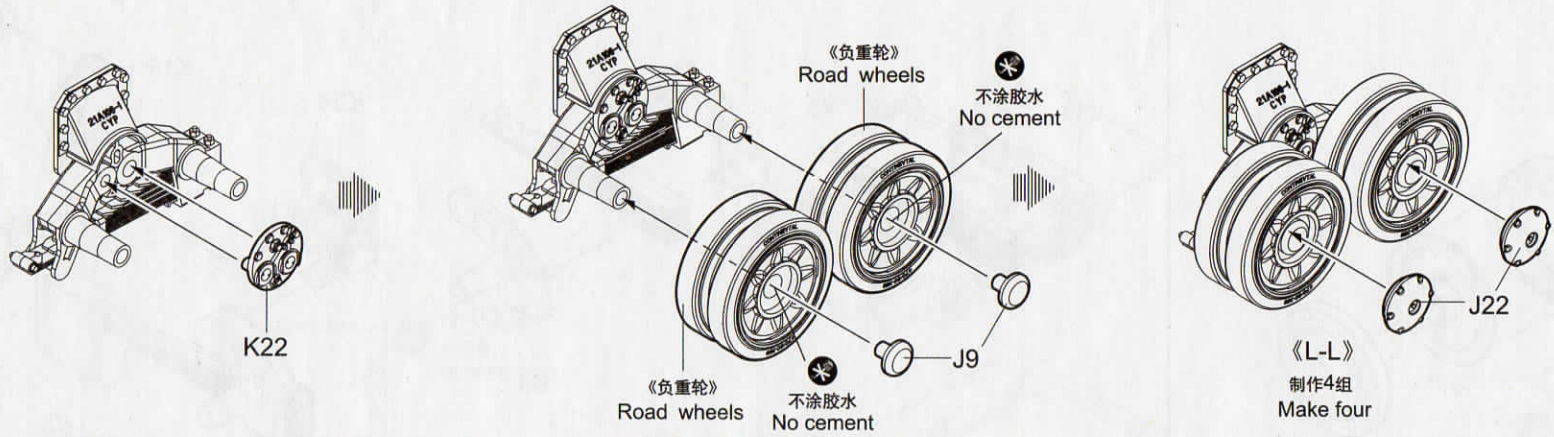
16

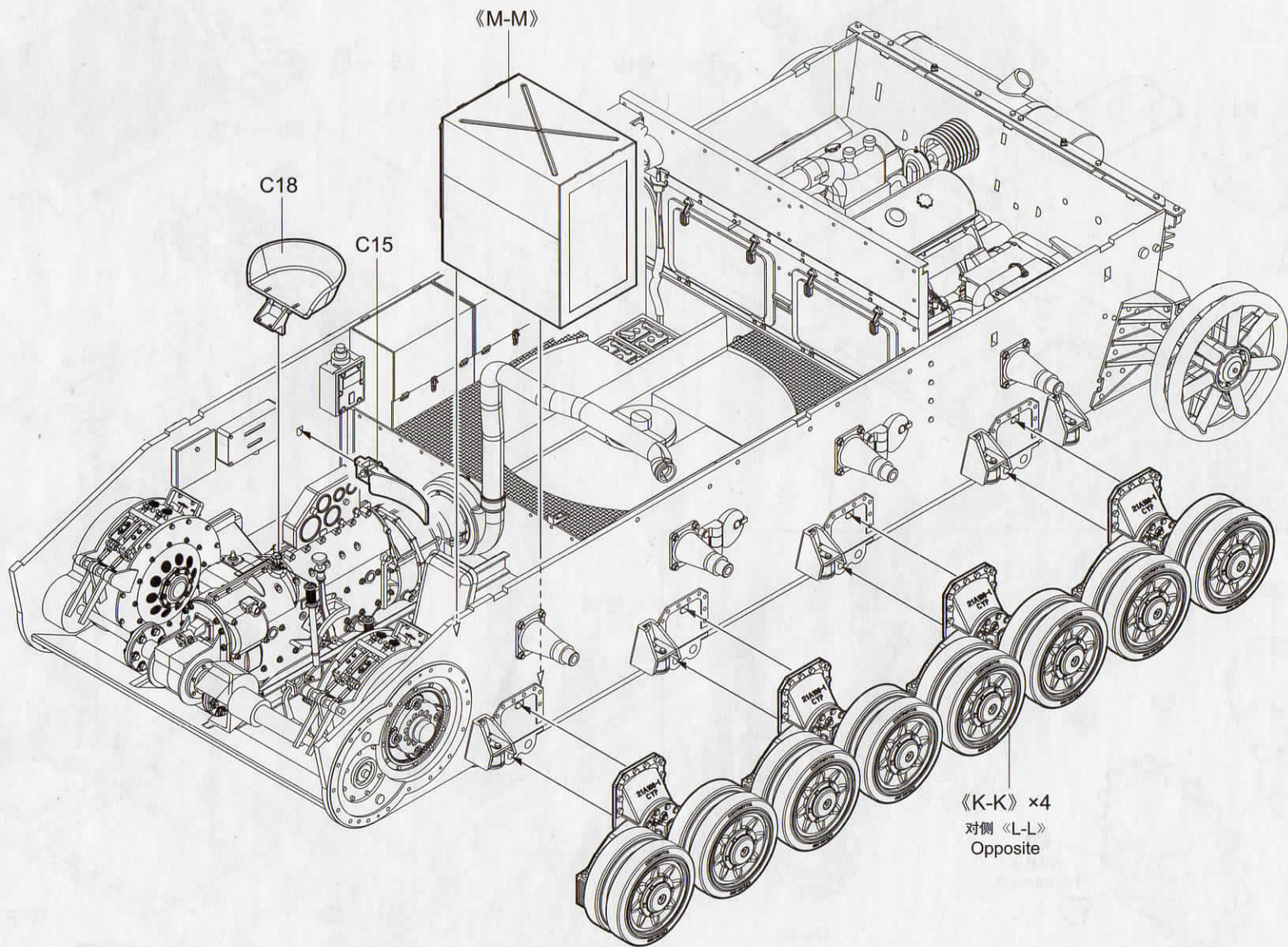


《负重轮》  
Road wheels  
制作16组  
Make sixteen

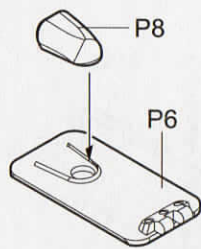


17

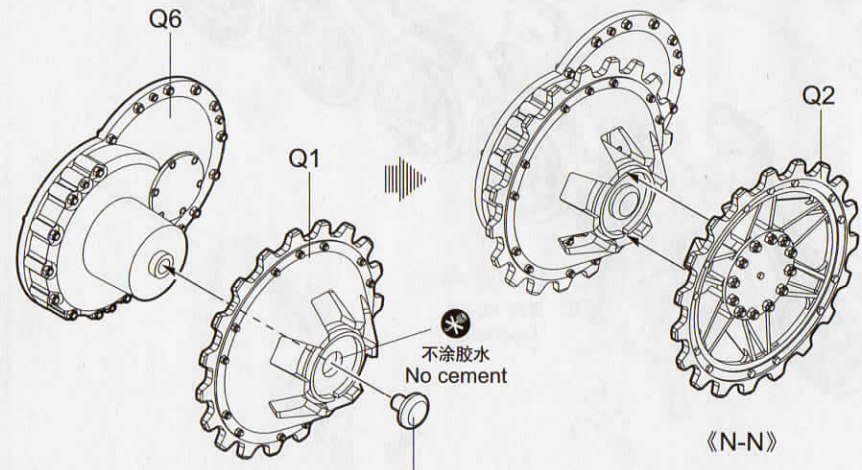
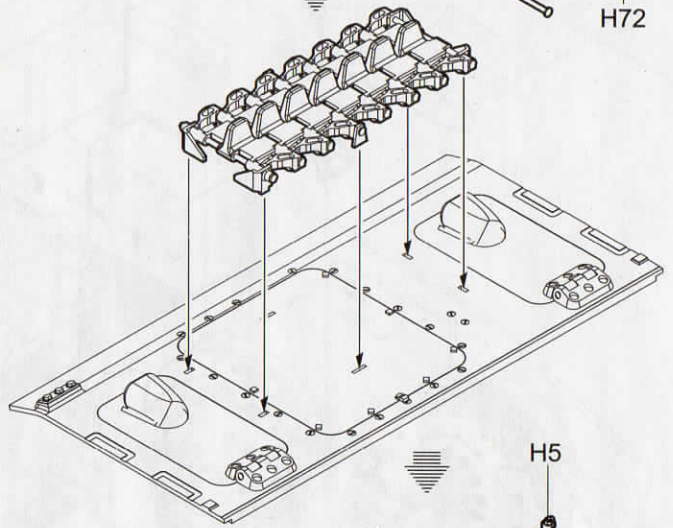
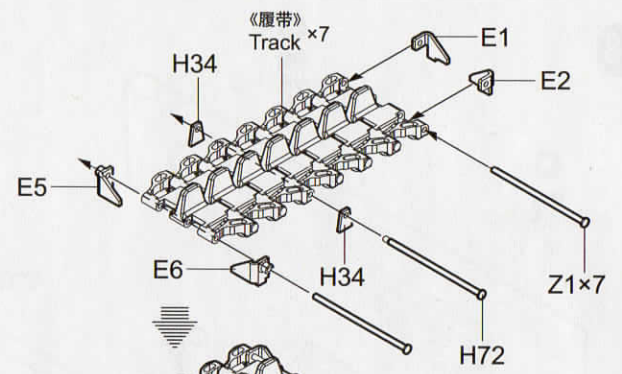
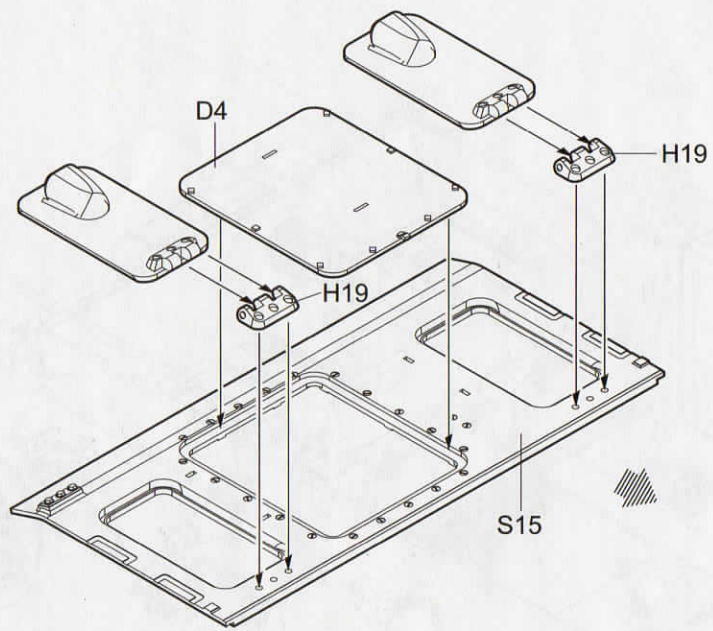




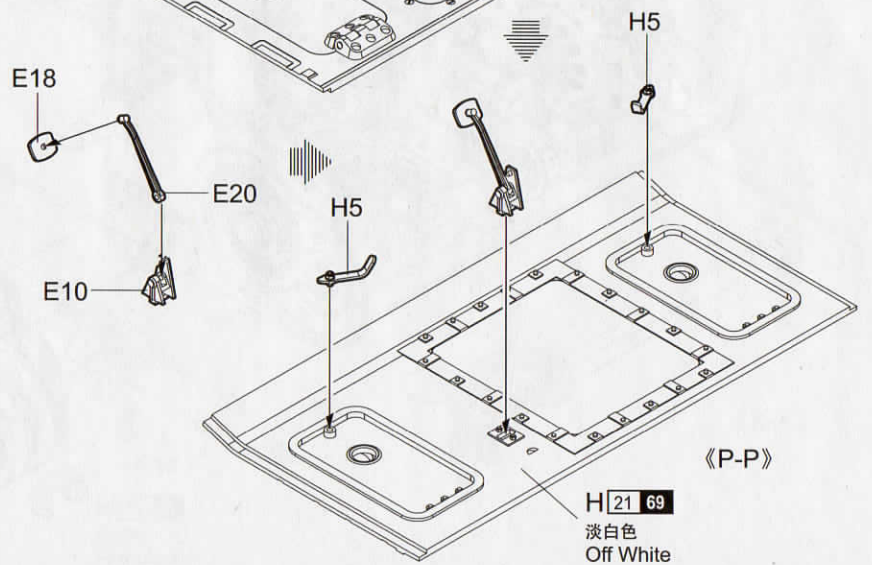
19



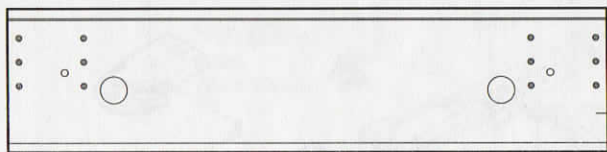
制作2组  
Make two



《N-N》  
制作2组  
Make two



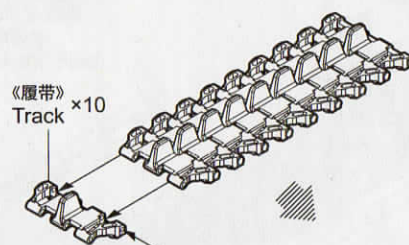
H 21 69  
淡白色  
Off White



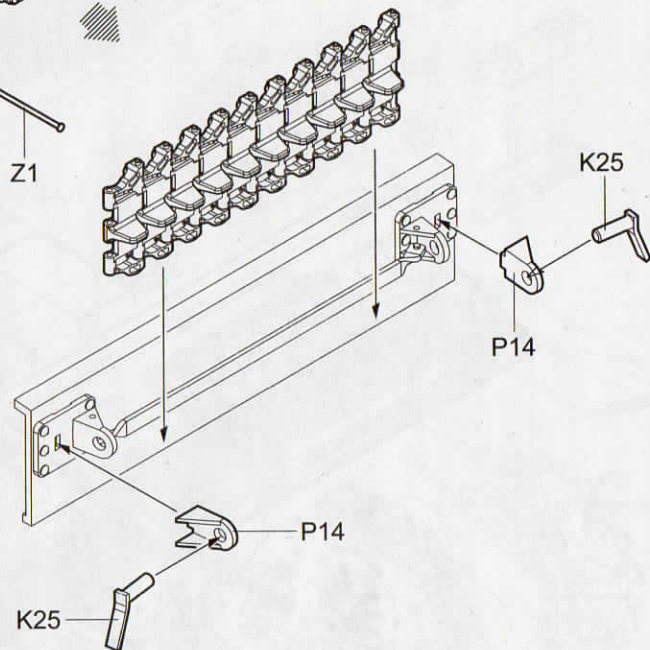
Ⓜ  
 钻孔  
 Make hole

M1

《履带》  
 Track x10

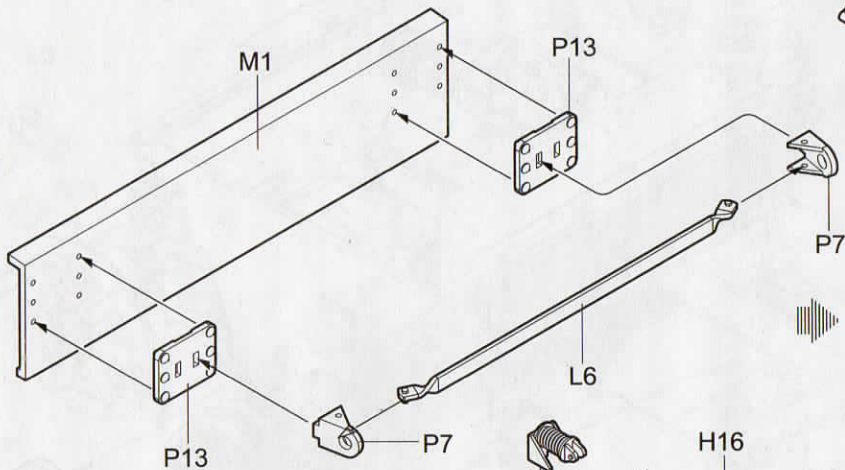


Z1



P14

K25



M1

P13

P7

L6

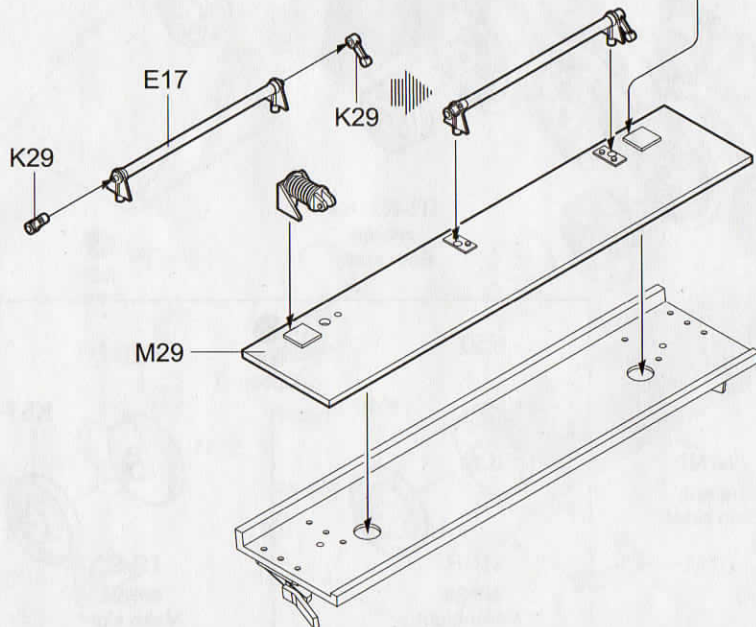
P13

P7

H16

H62

制作2组  
 Make two



E17

K29

K29

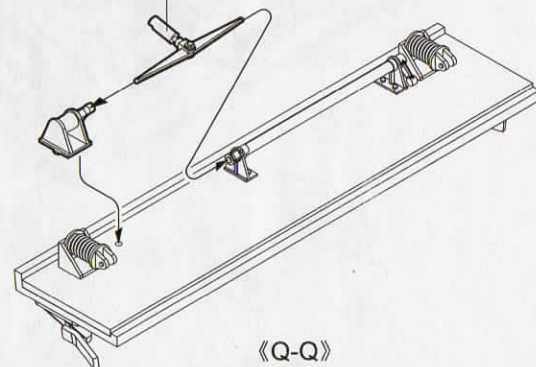
M29

E25

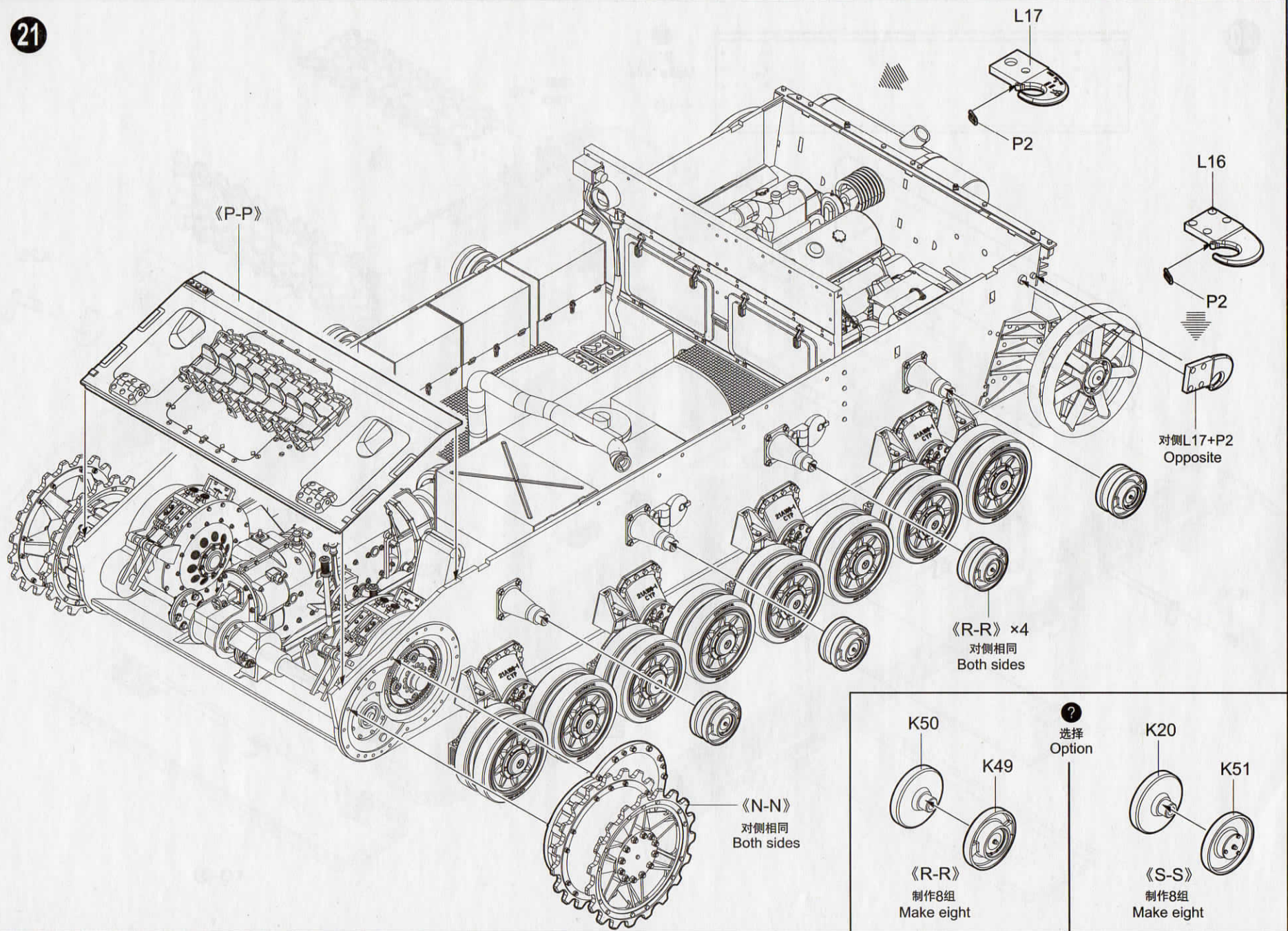
K29

K25

E39



《Q-Q》



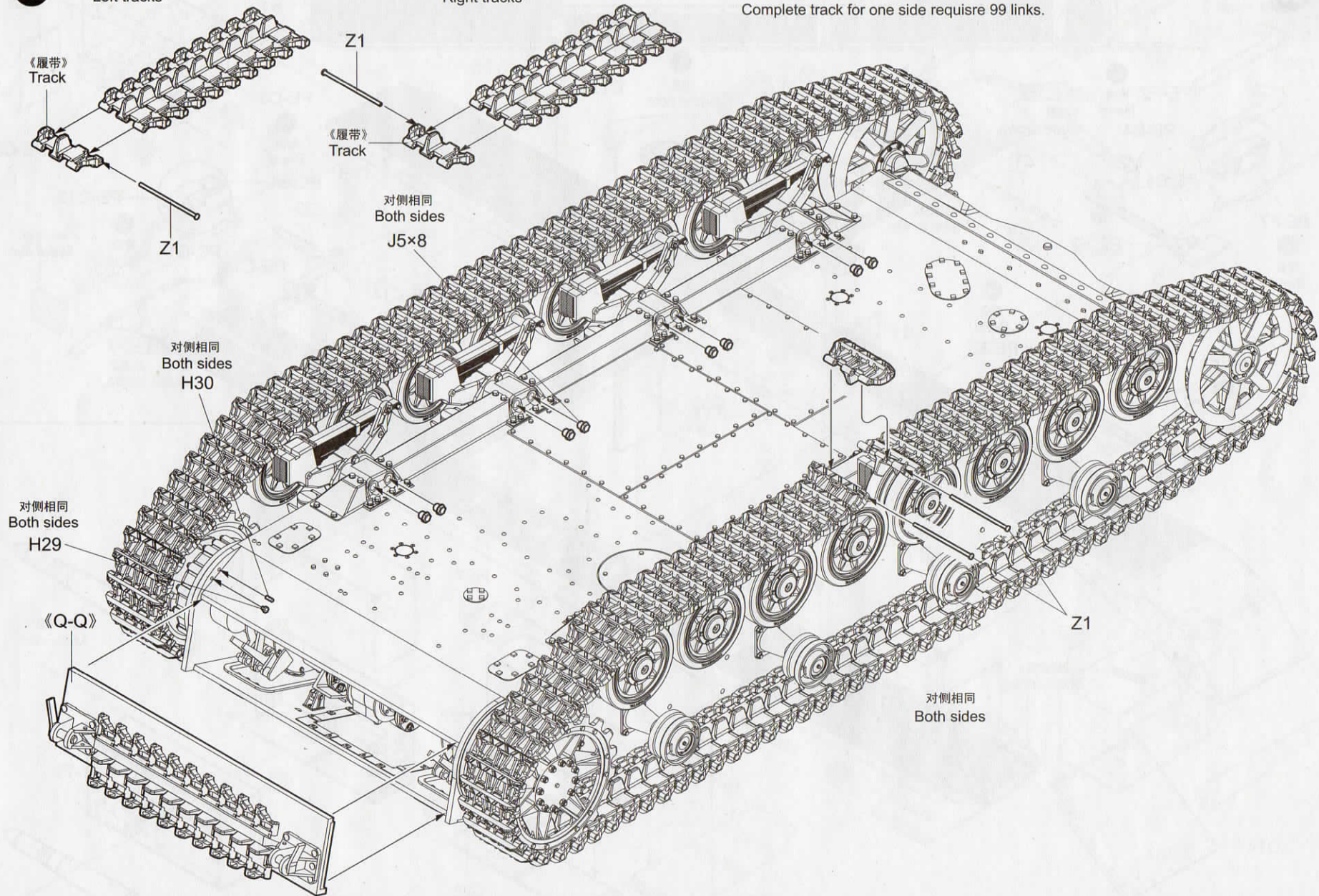


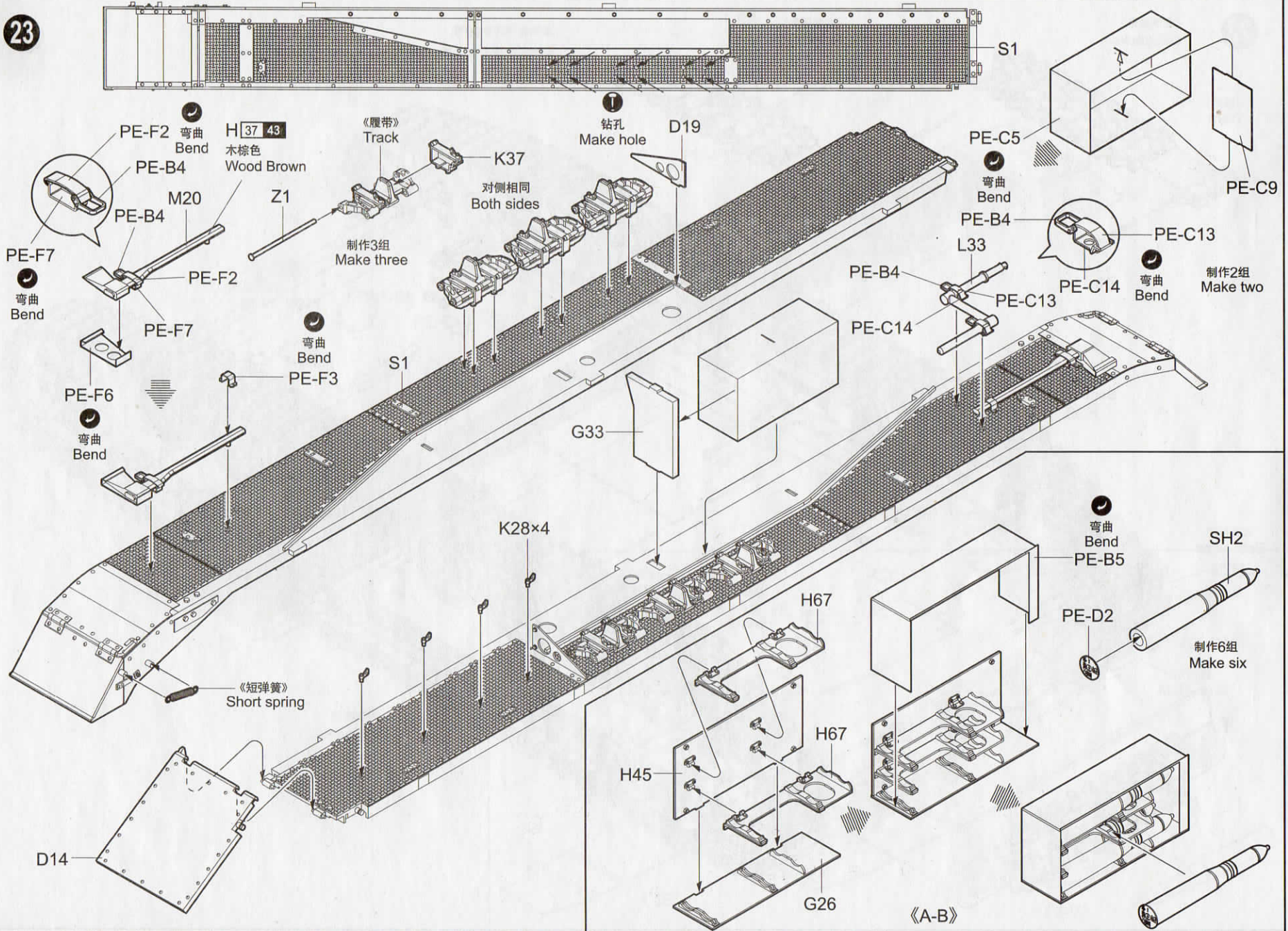
22

《左侧履带》  
Left tracks

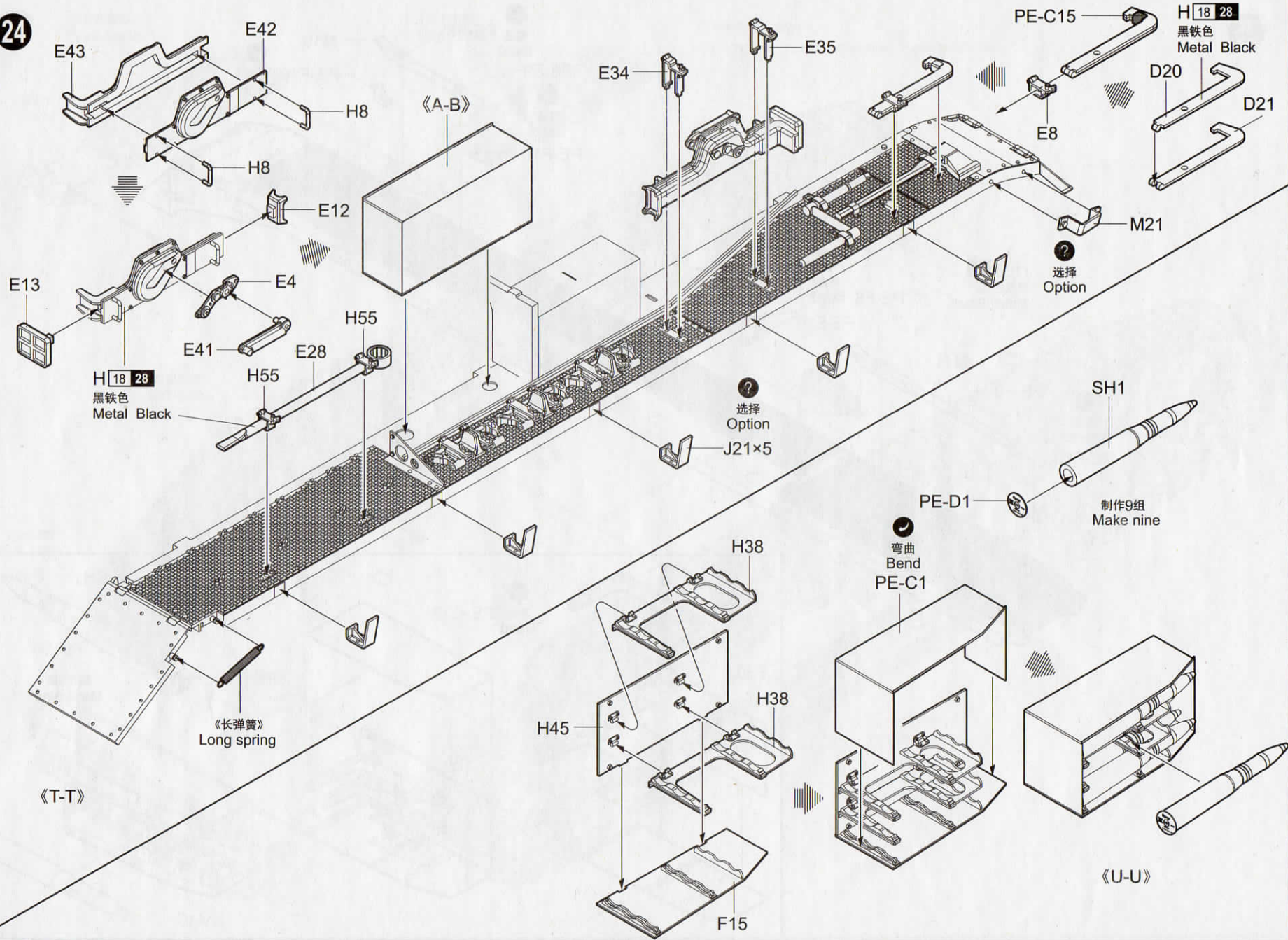
《右侧履带》  
Right tracks

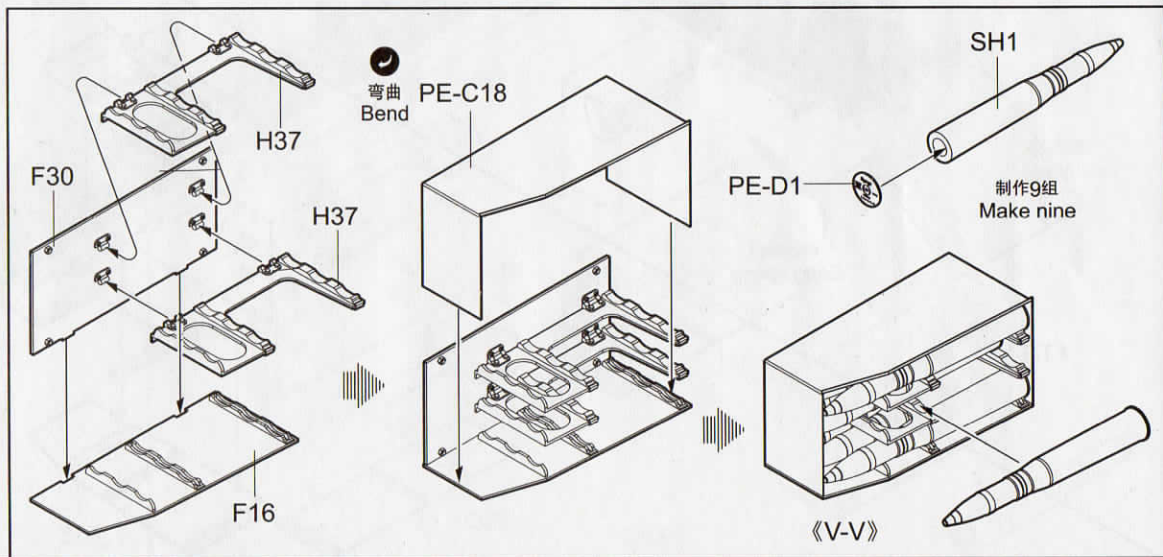
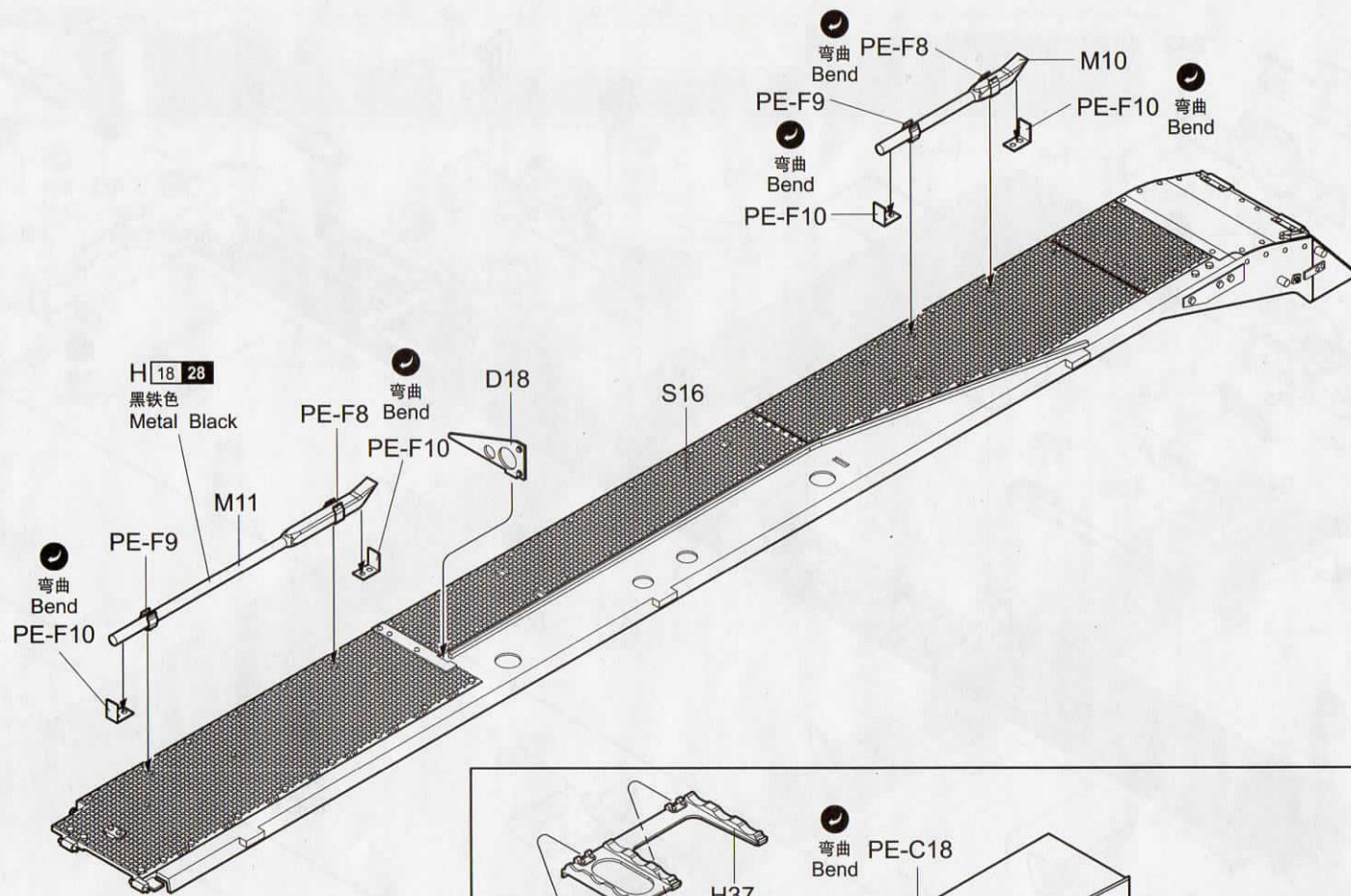
单侧履带需要99节  
Complete track for one side require 99 links.





24

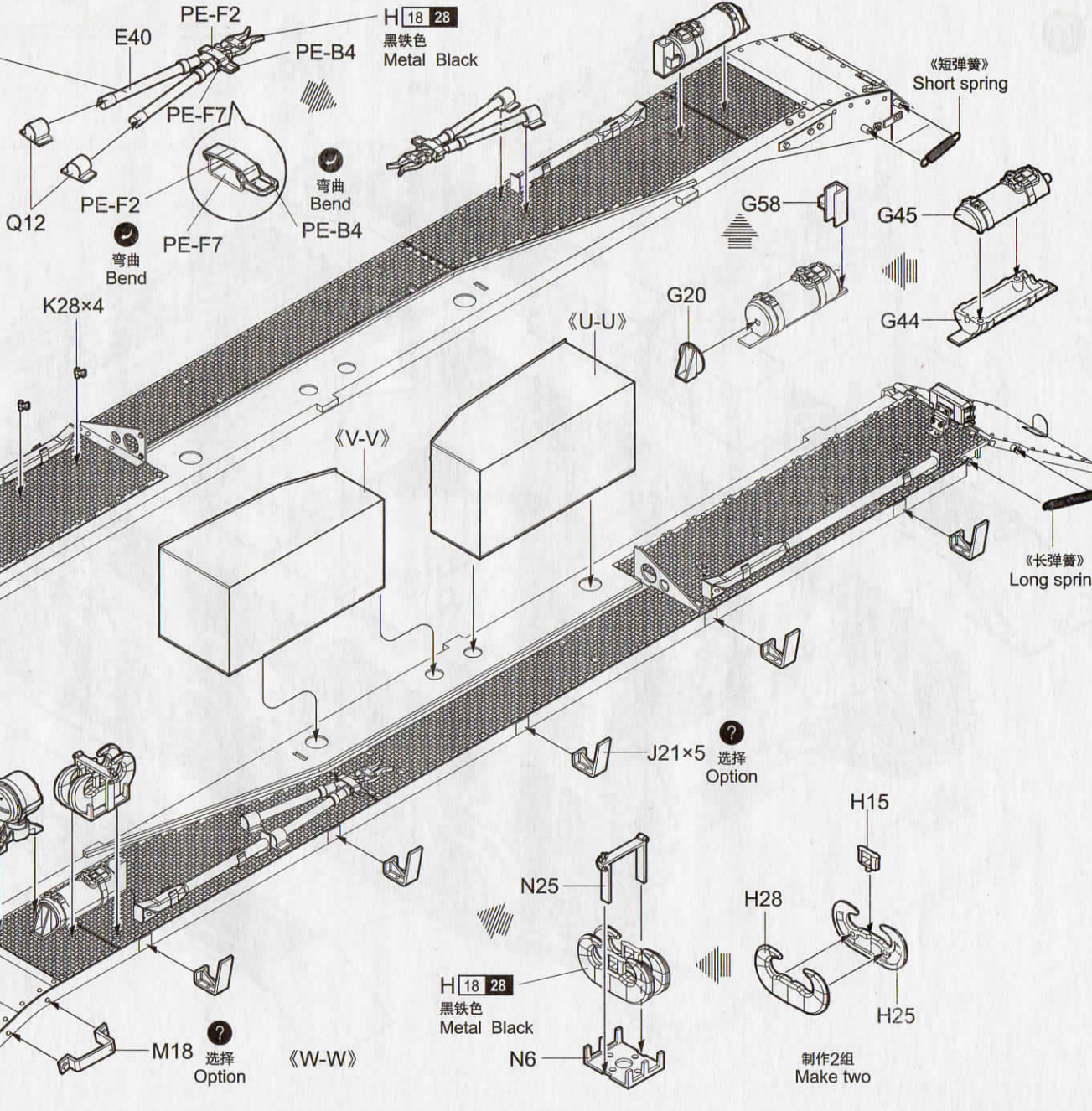


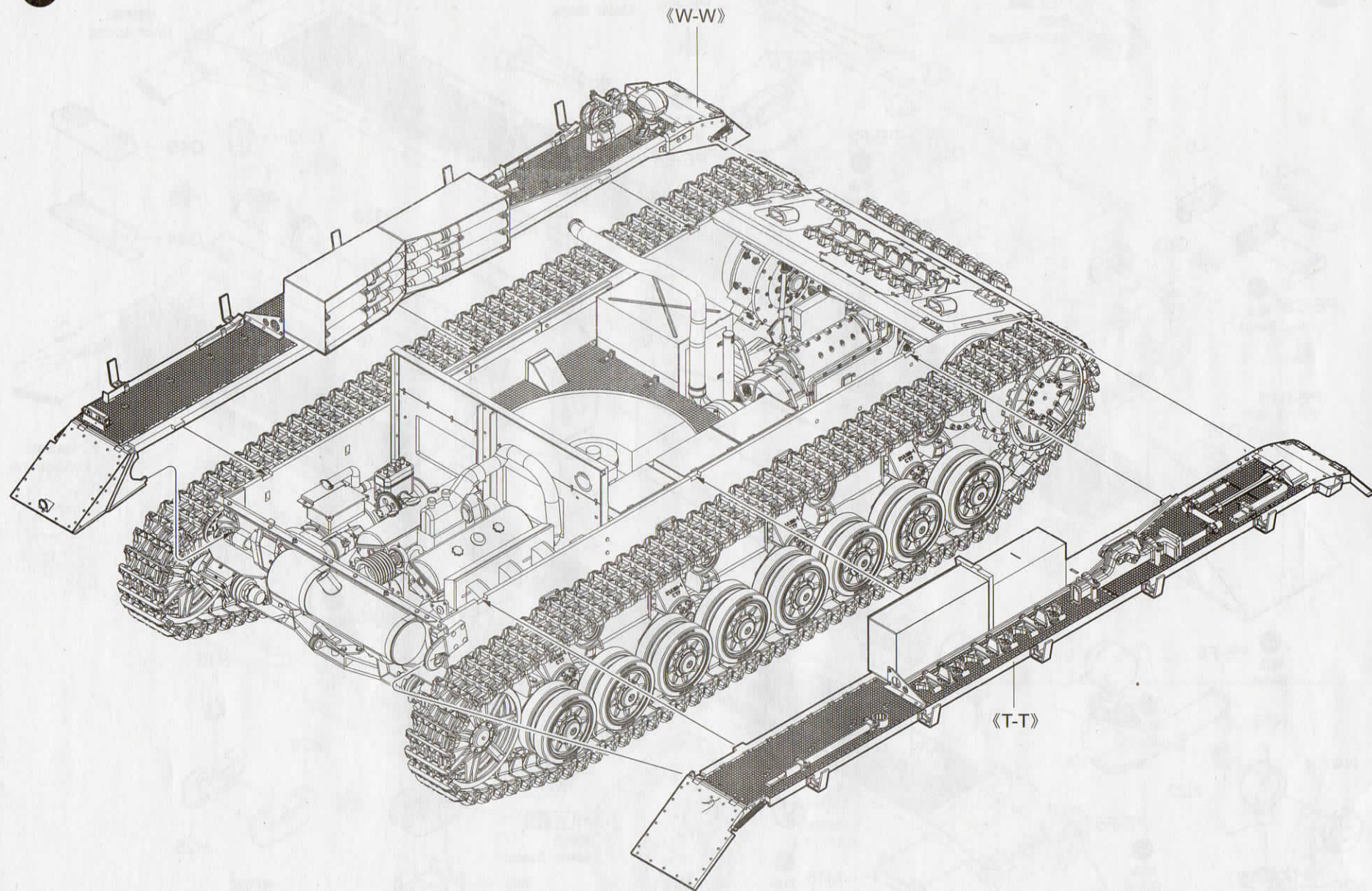


26

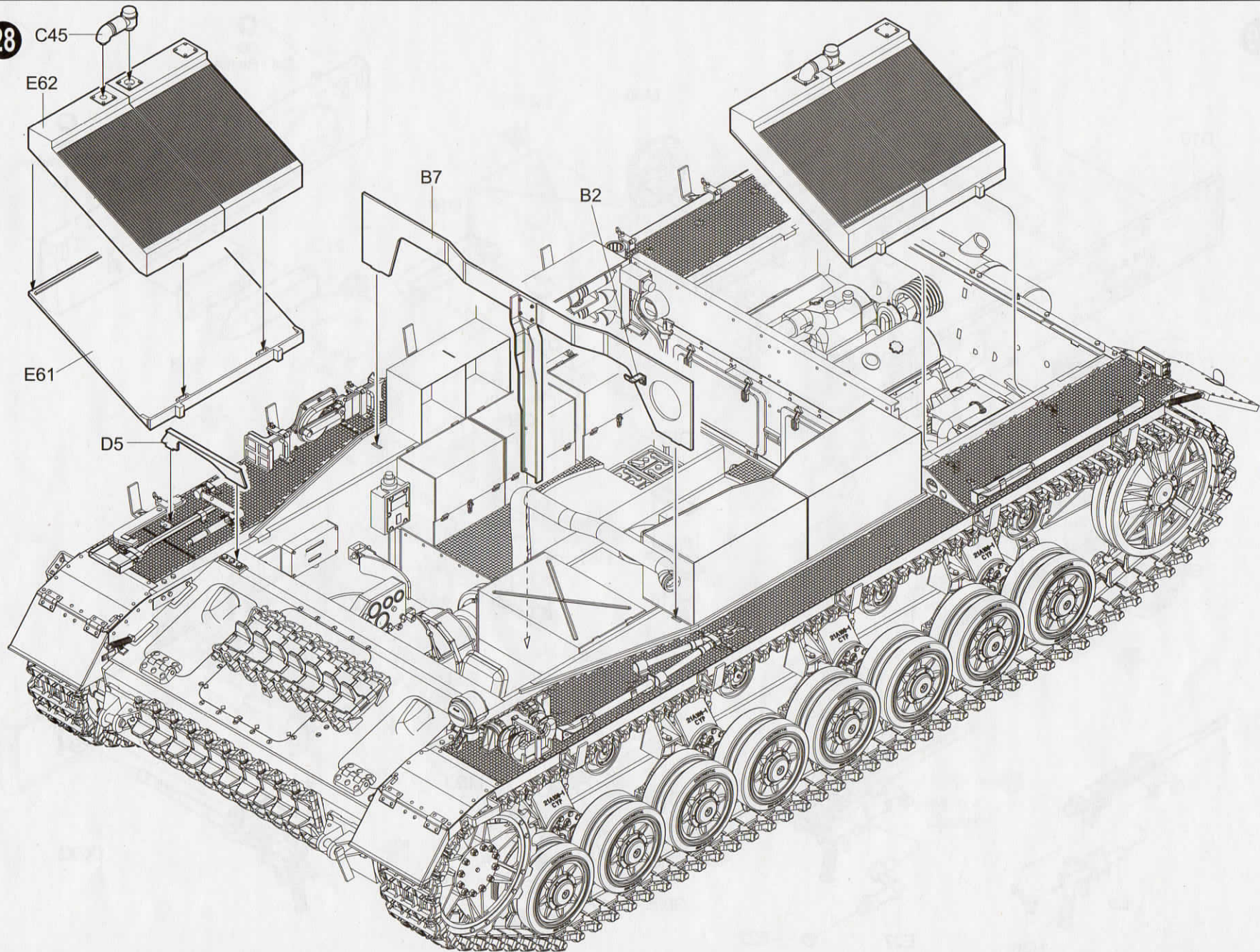
H 37 43  
木棕色  
Wood Brown

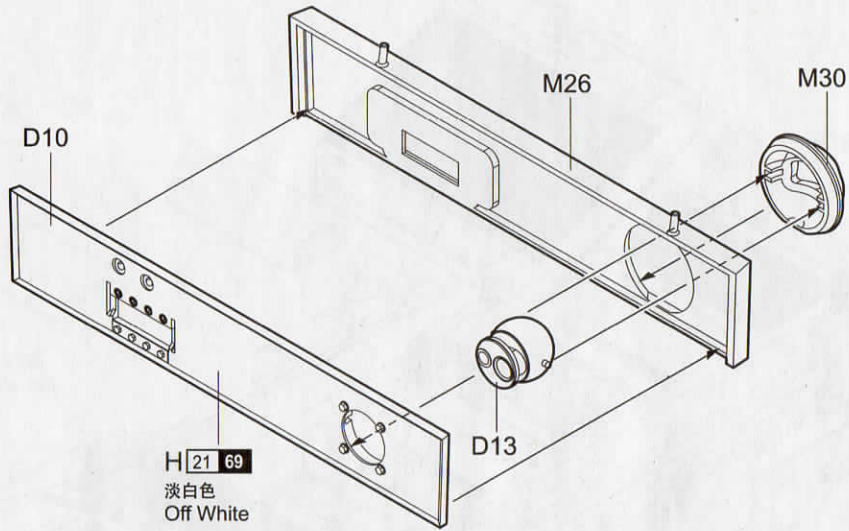
H 18 28  
黑铁色  
Metal Black



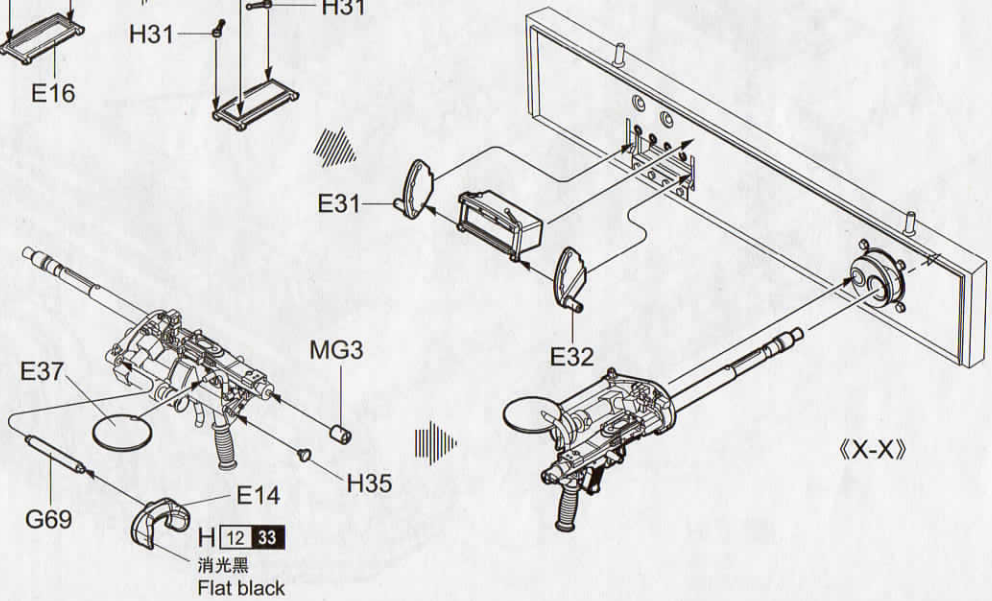
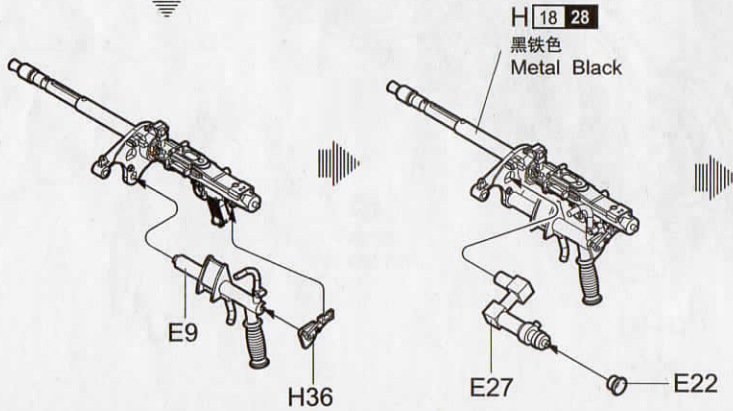
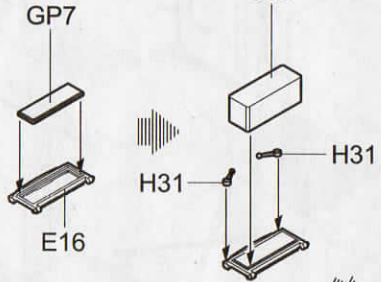
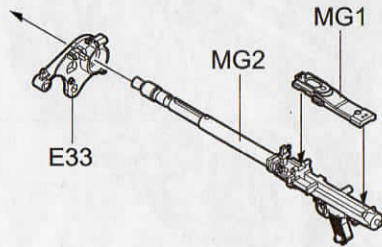
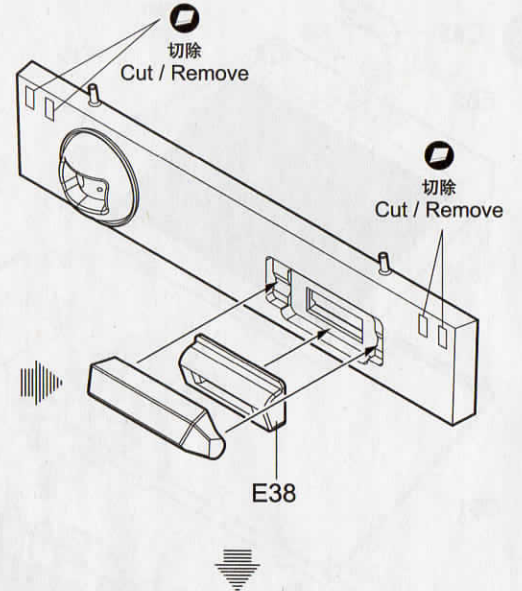


28





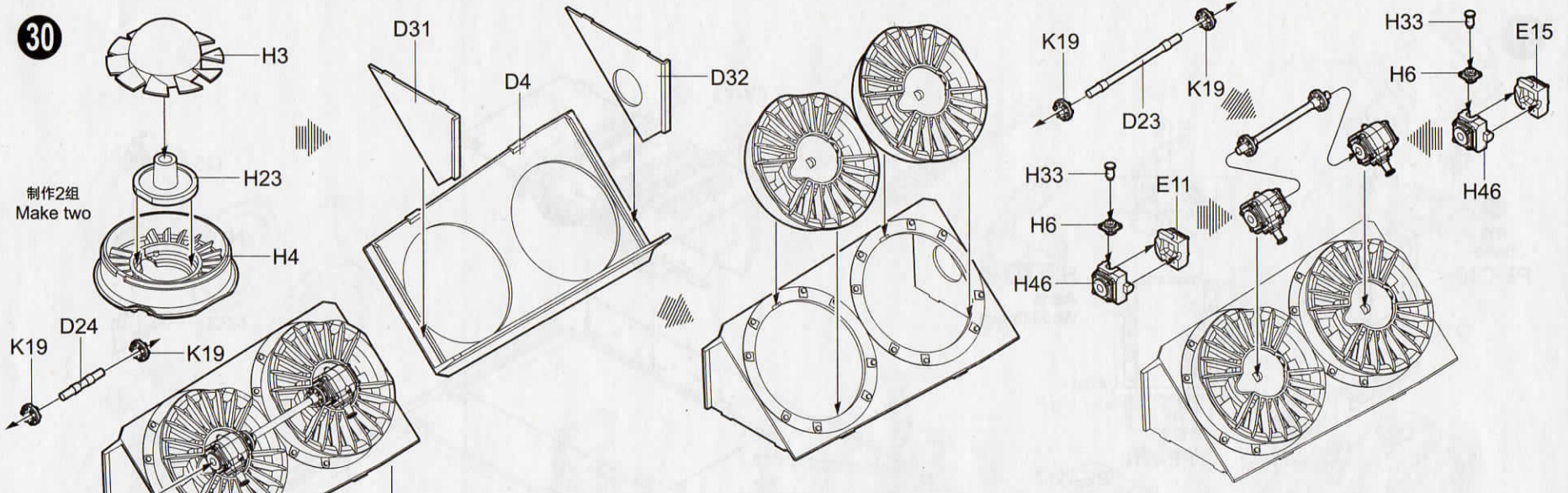
H 21 69  
淡白色  
Off White



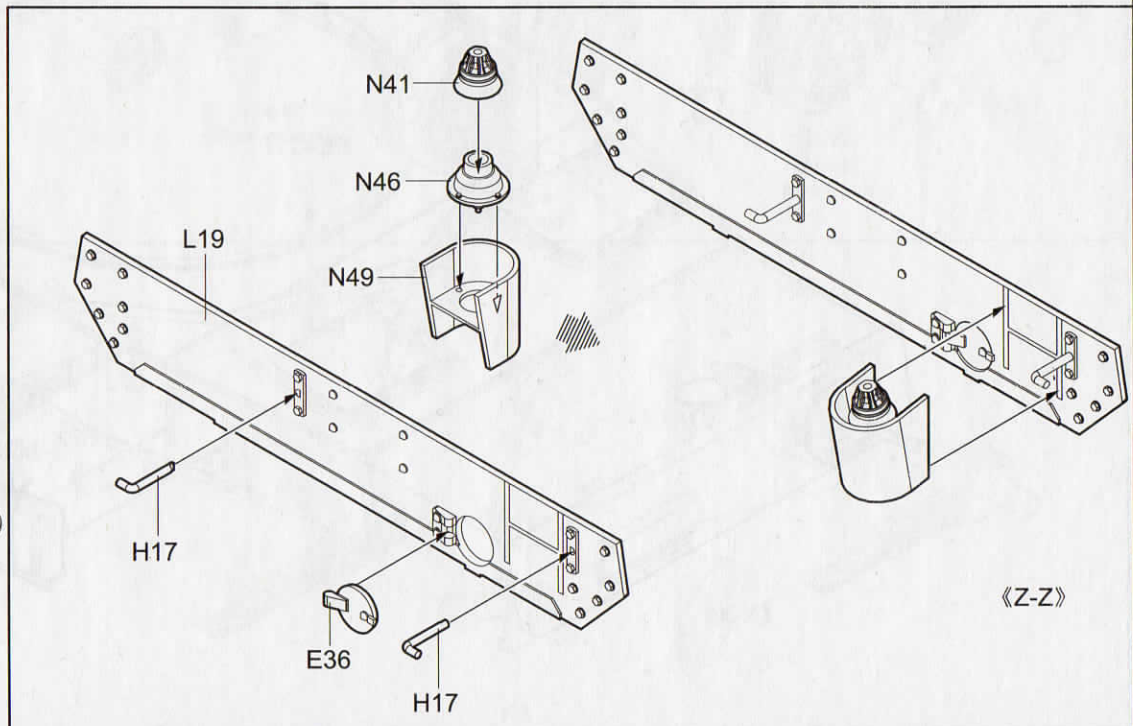


30

制作2组  
Make two

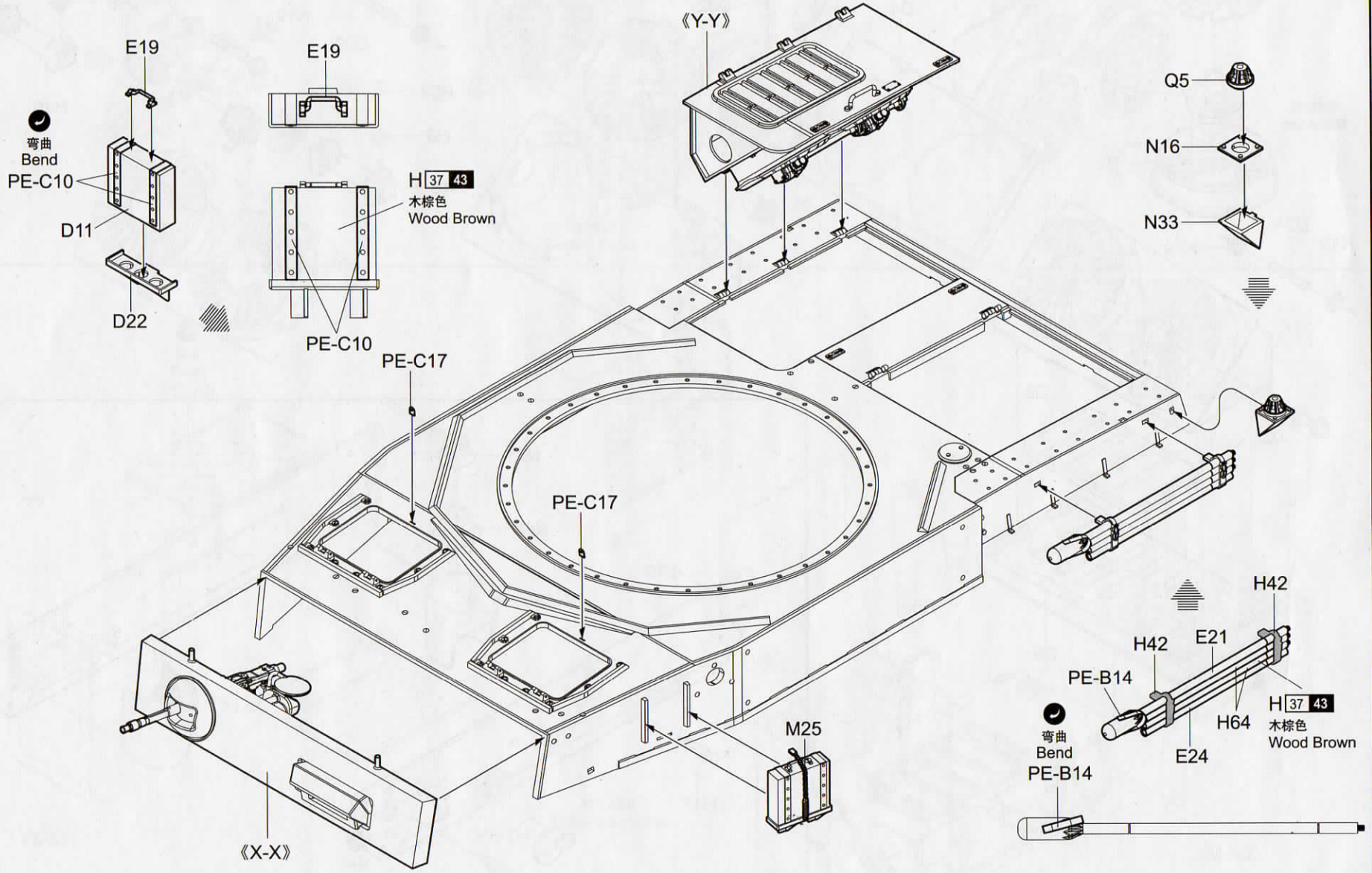


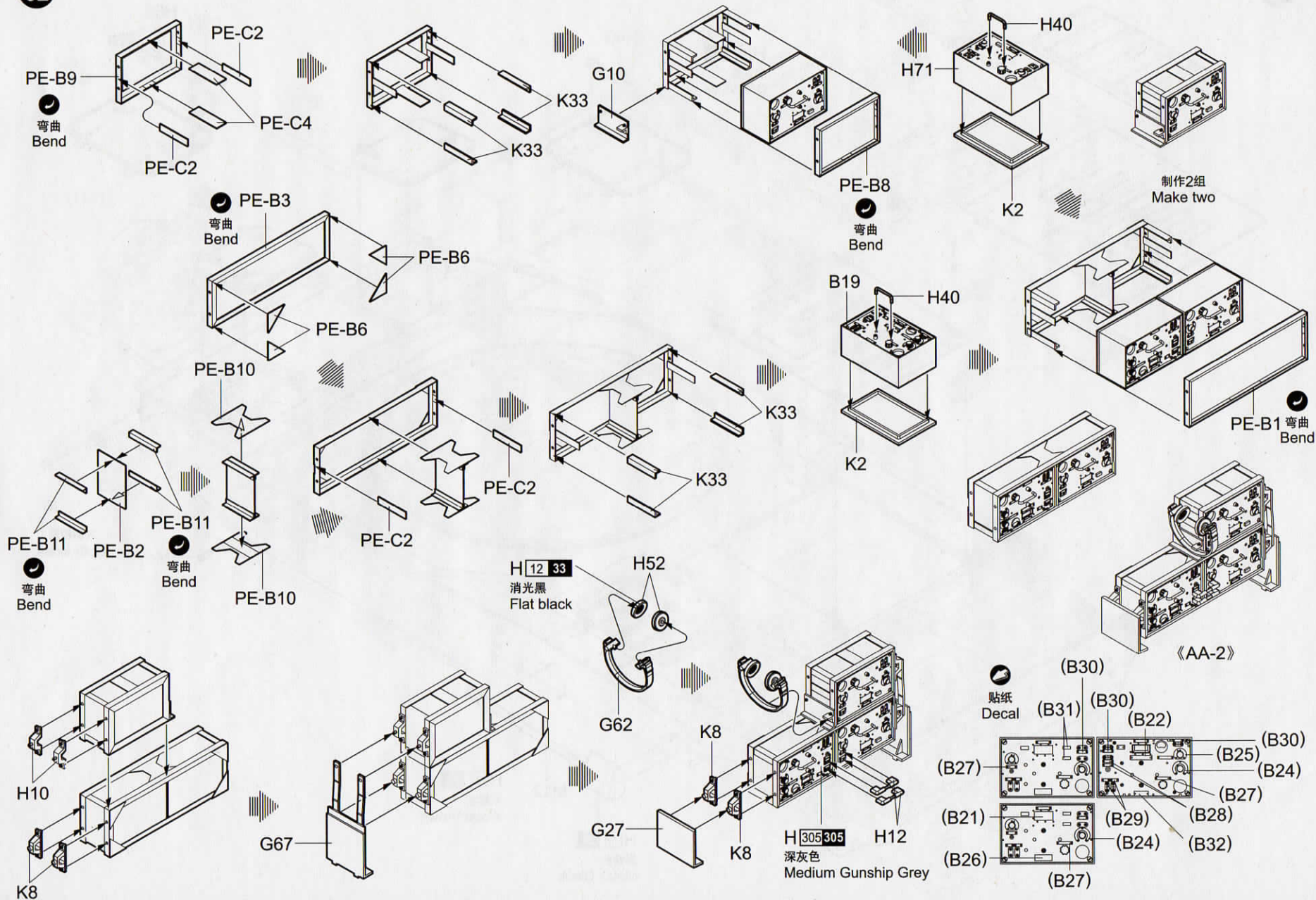
《Y-Y》

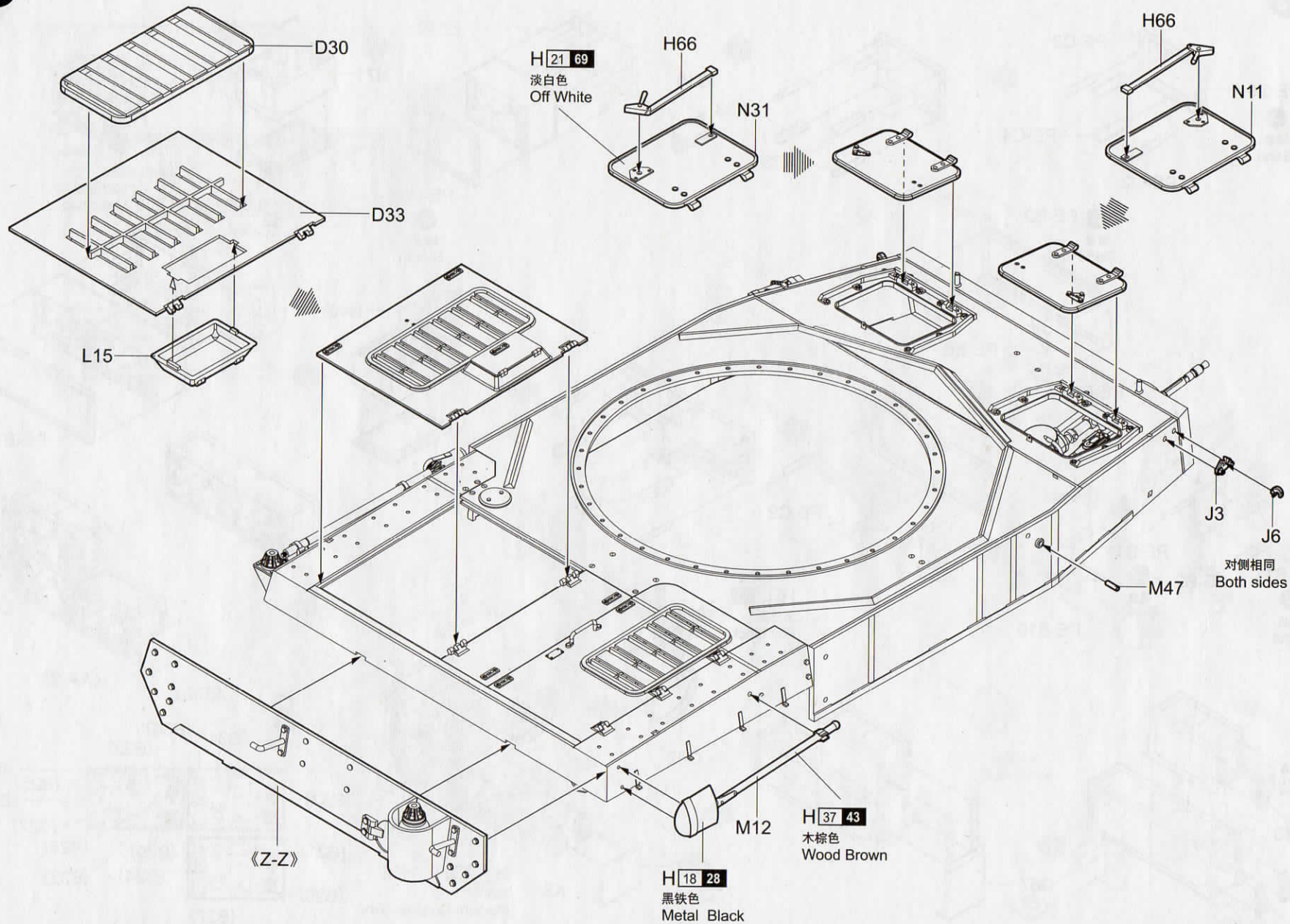


《Z-Z》

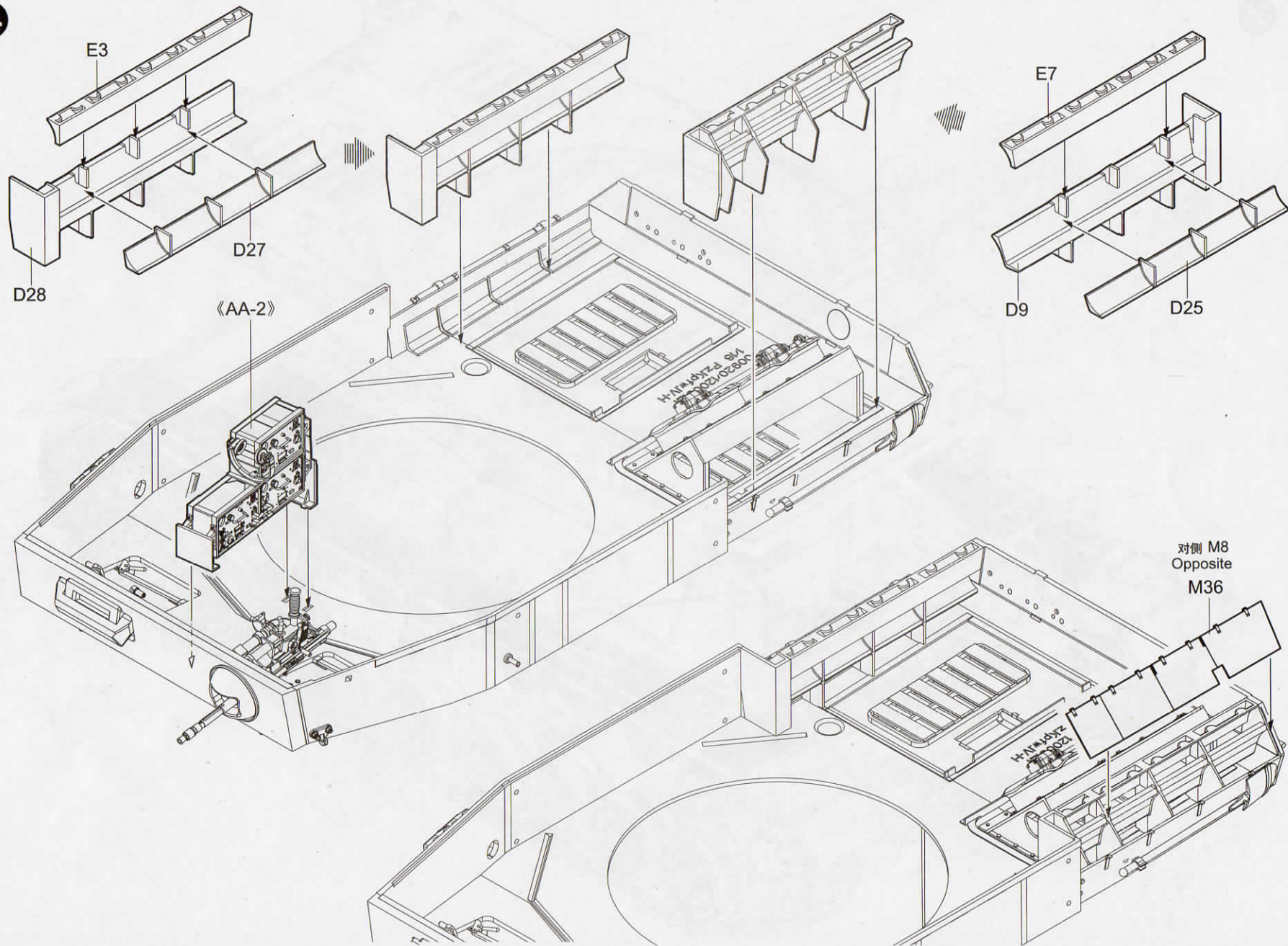
31

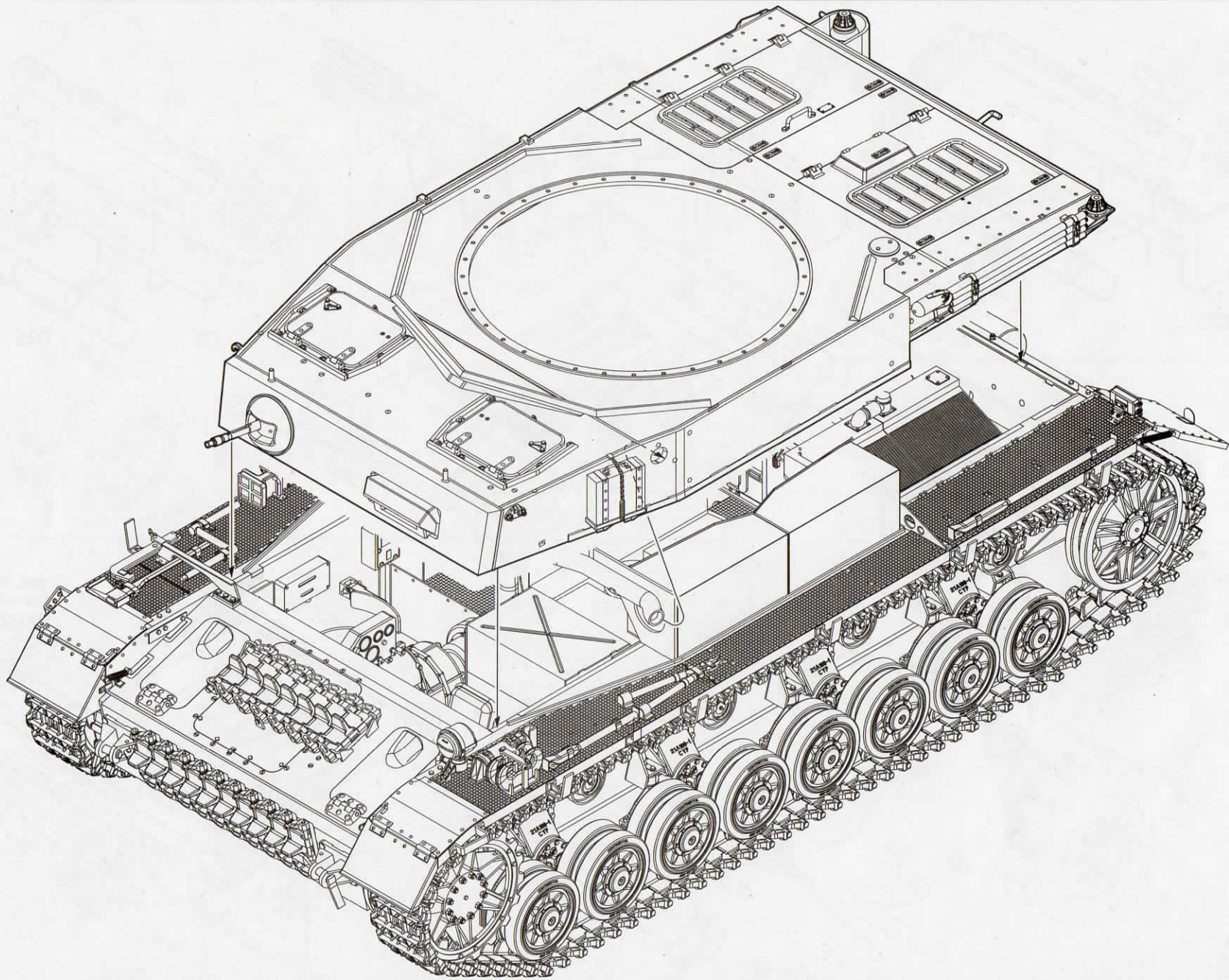




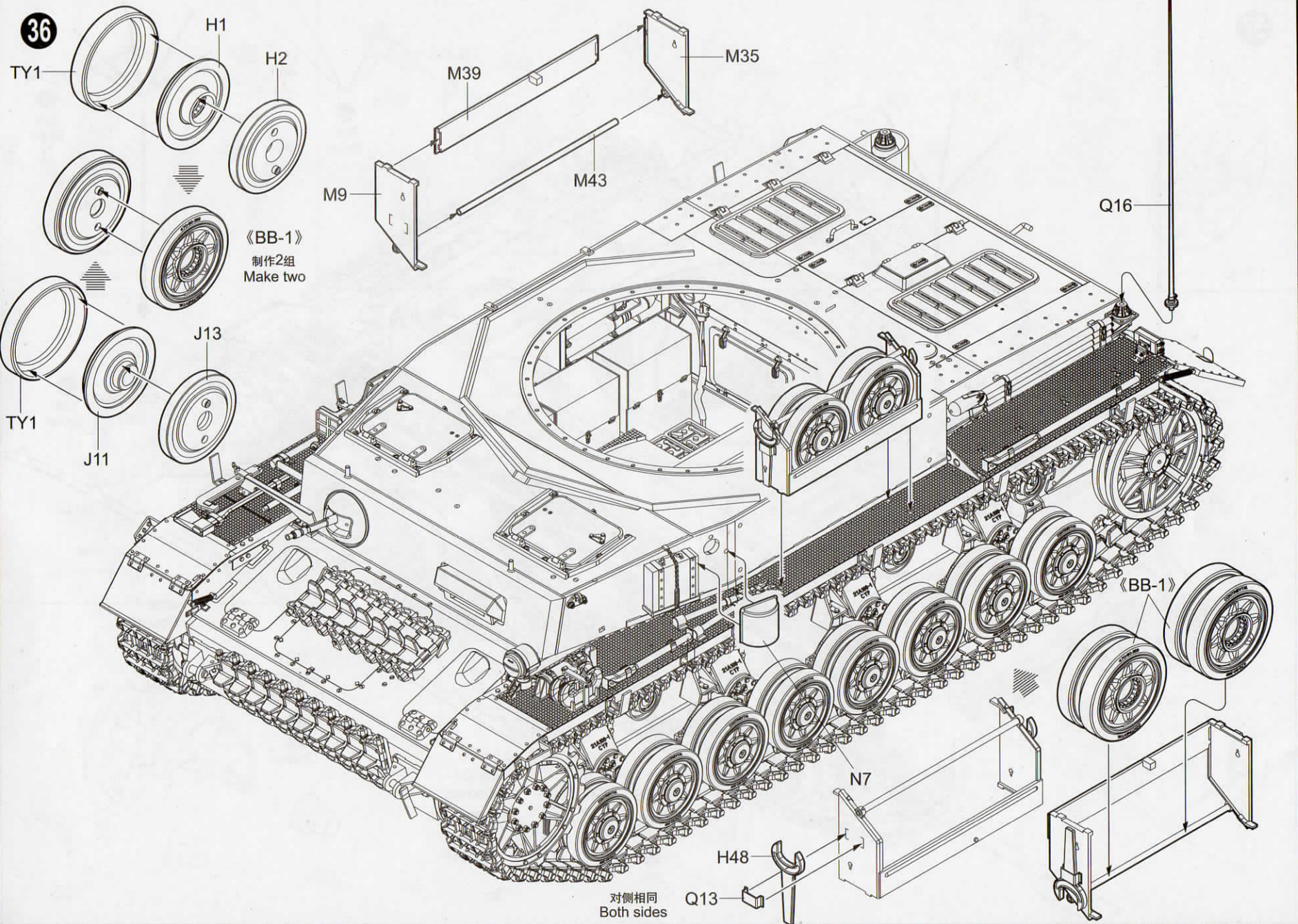


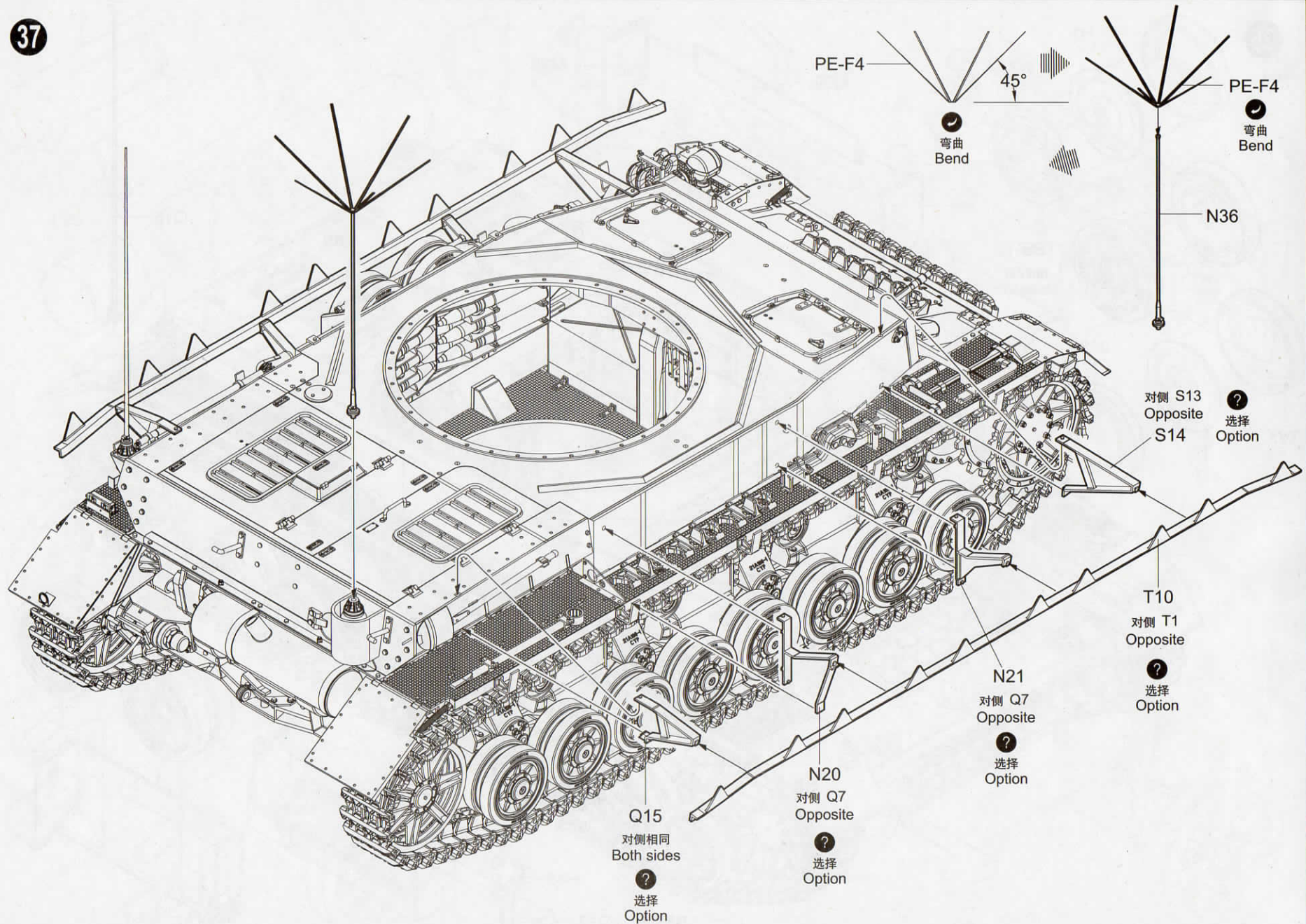
34





36

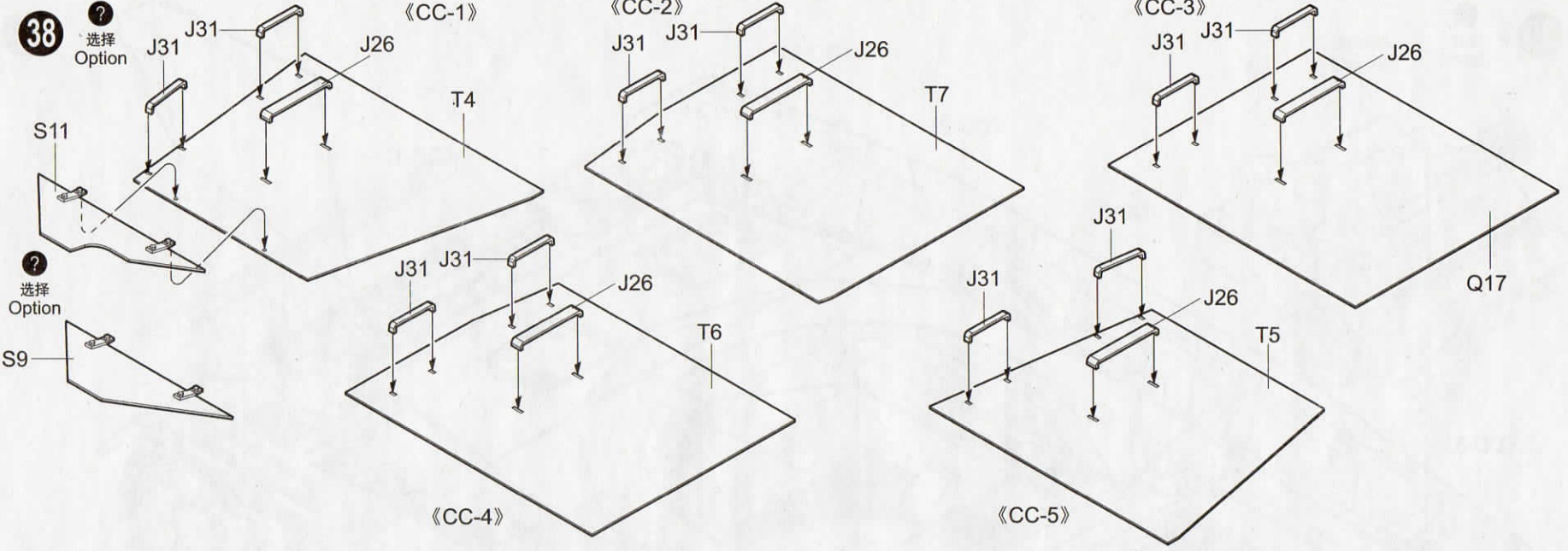




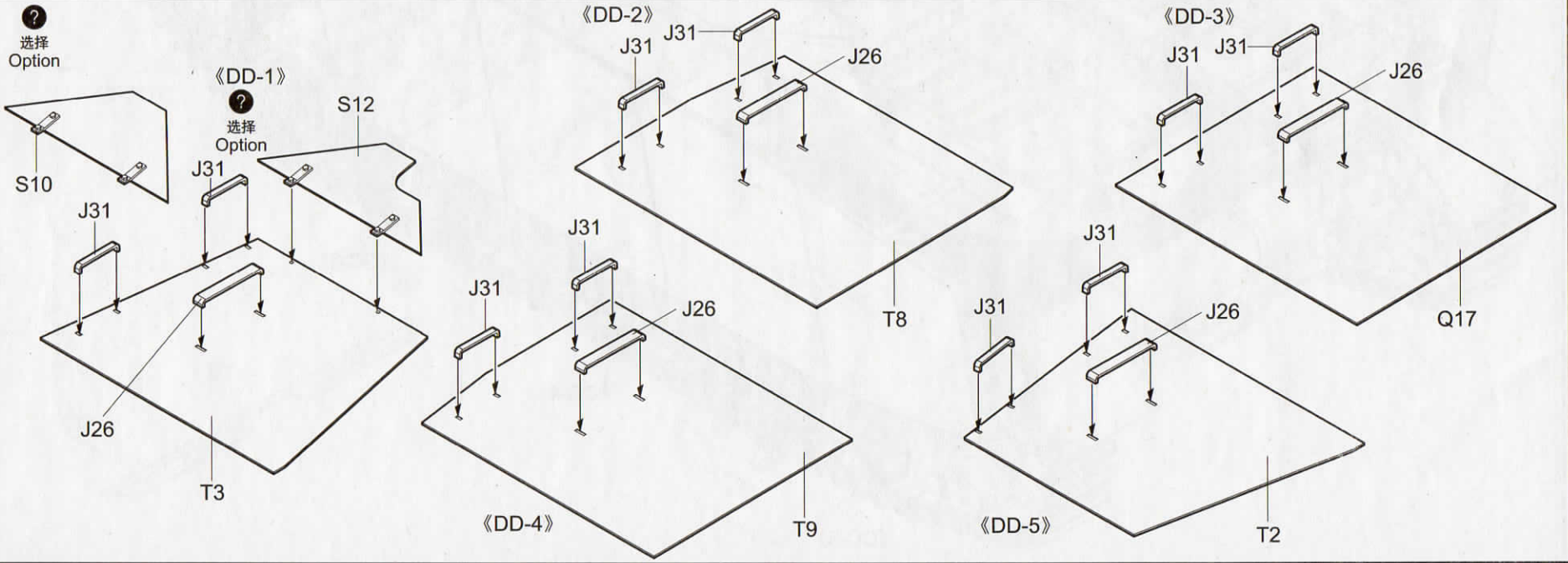


38

选择 Option

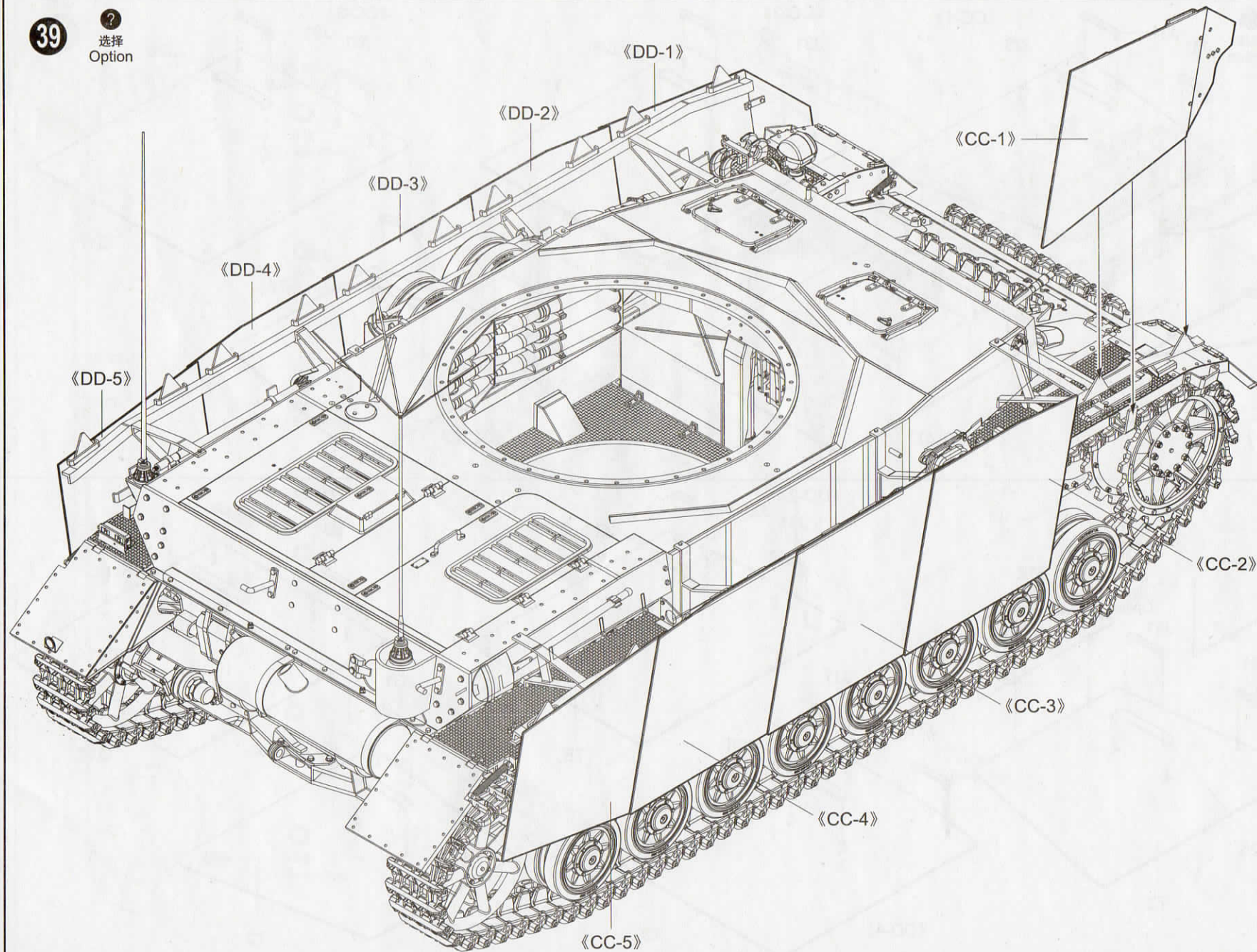


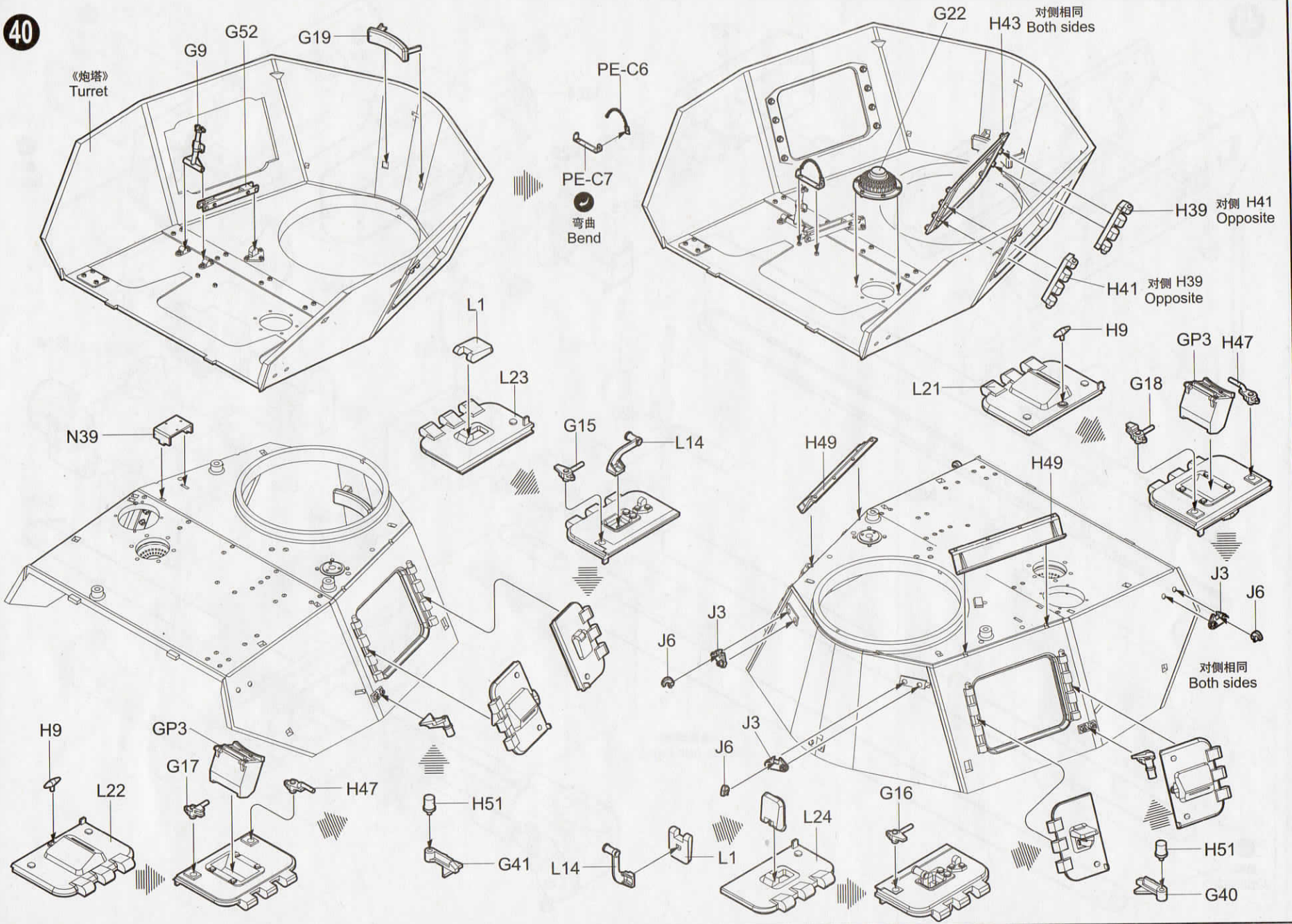
选择 Option



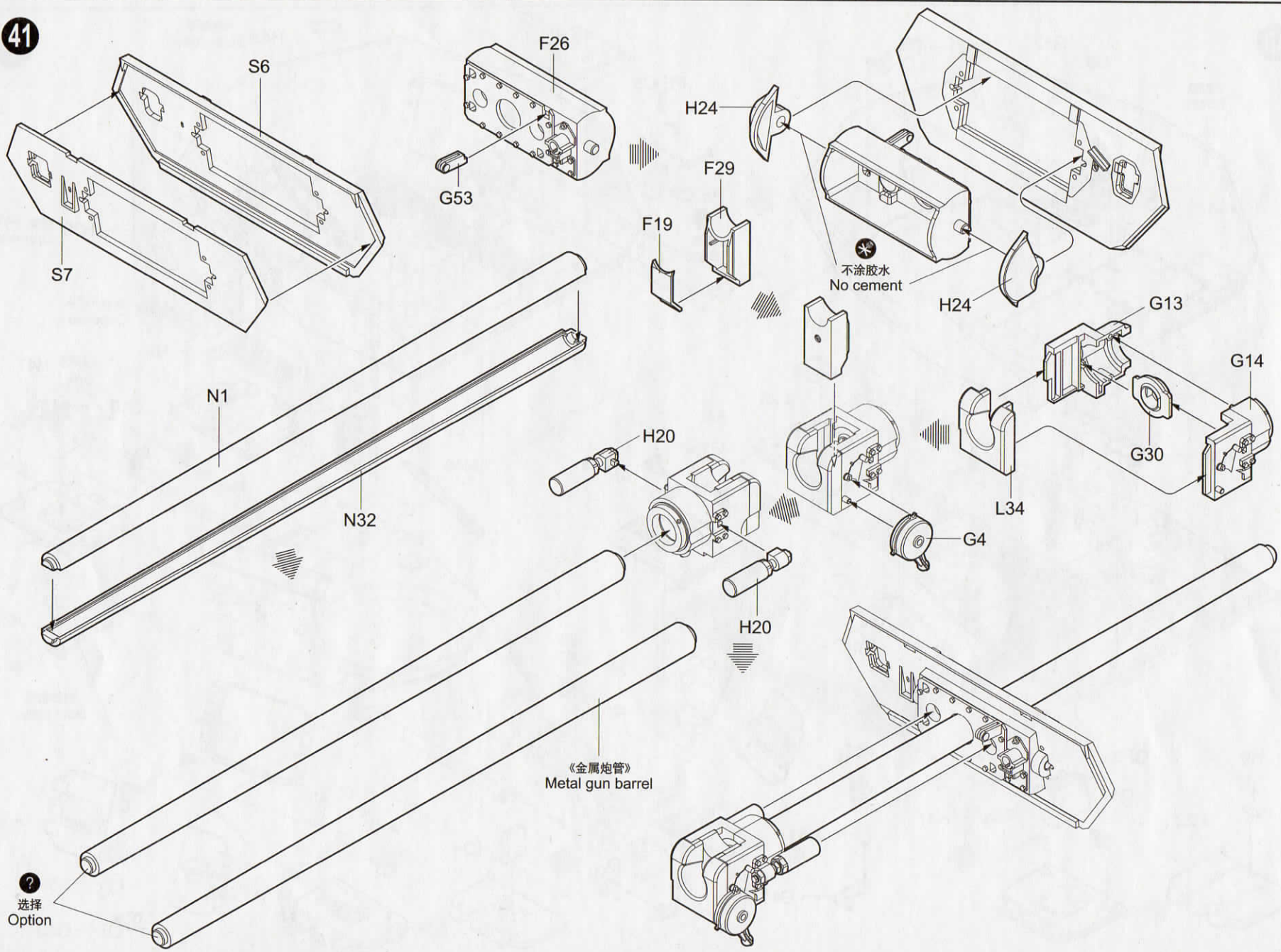
39

选择  
Option

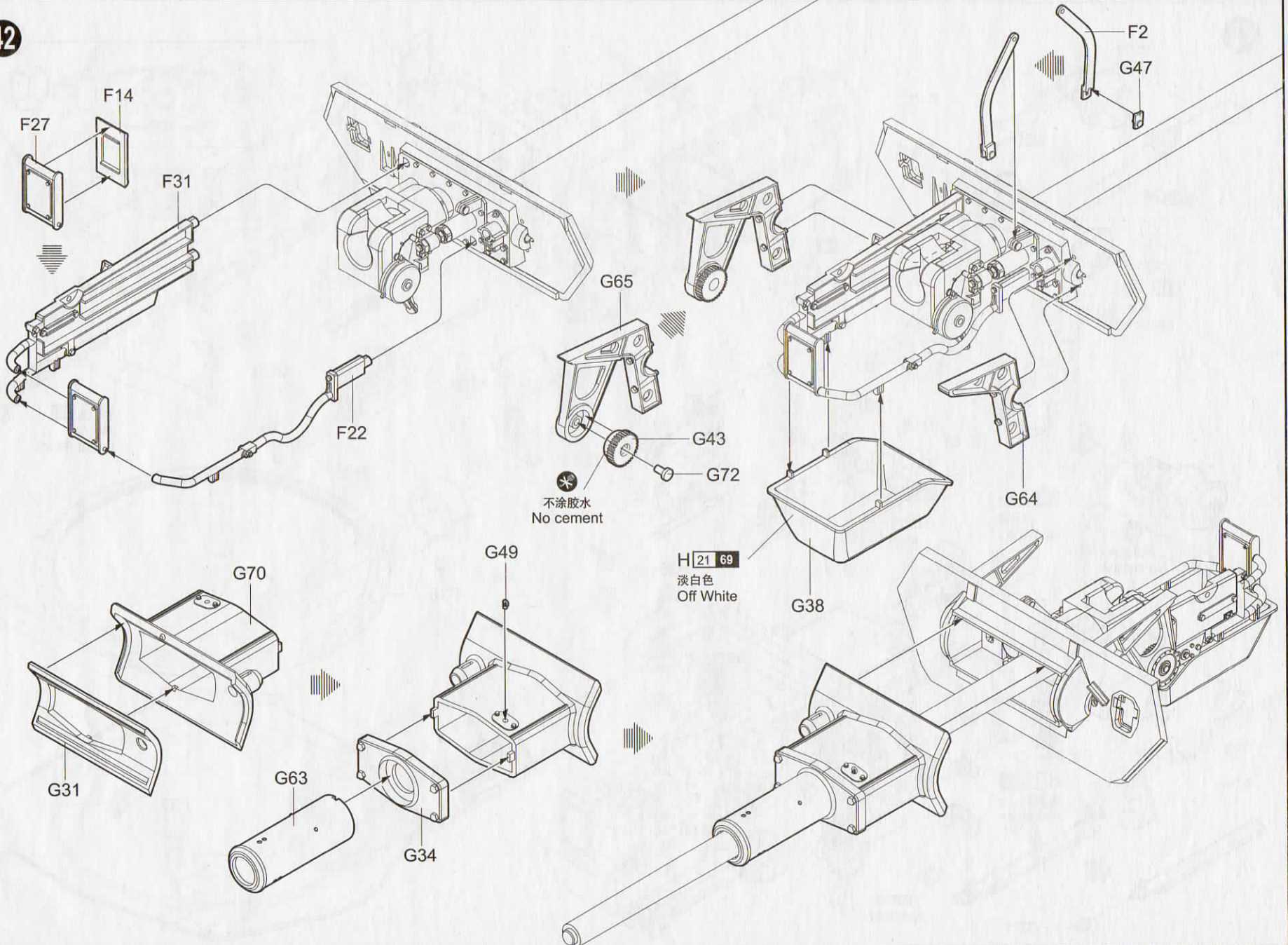


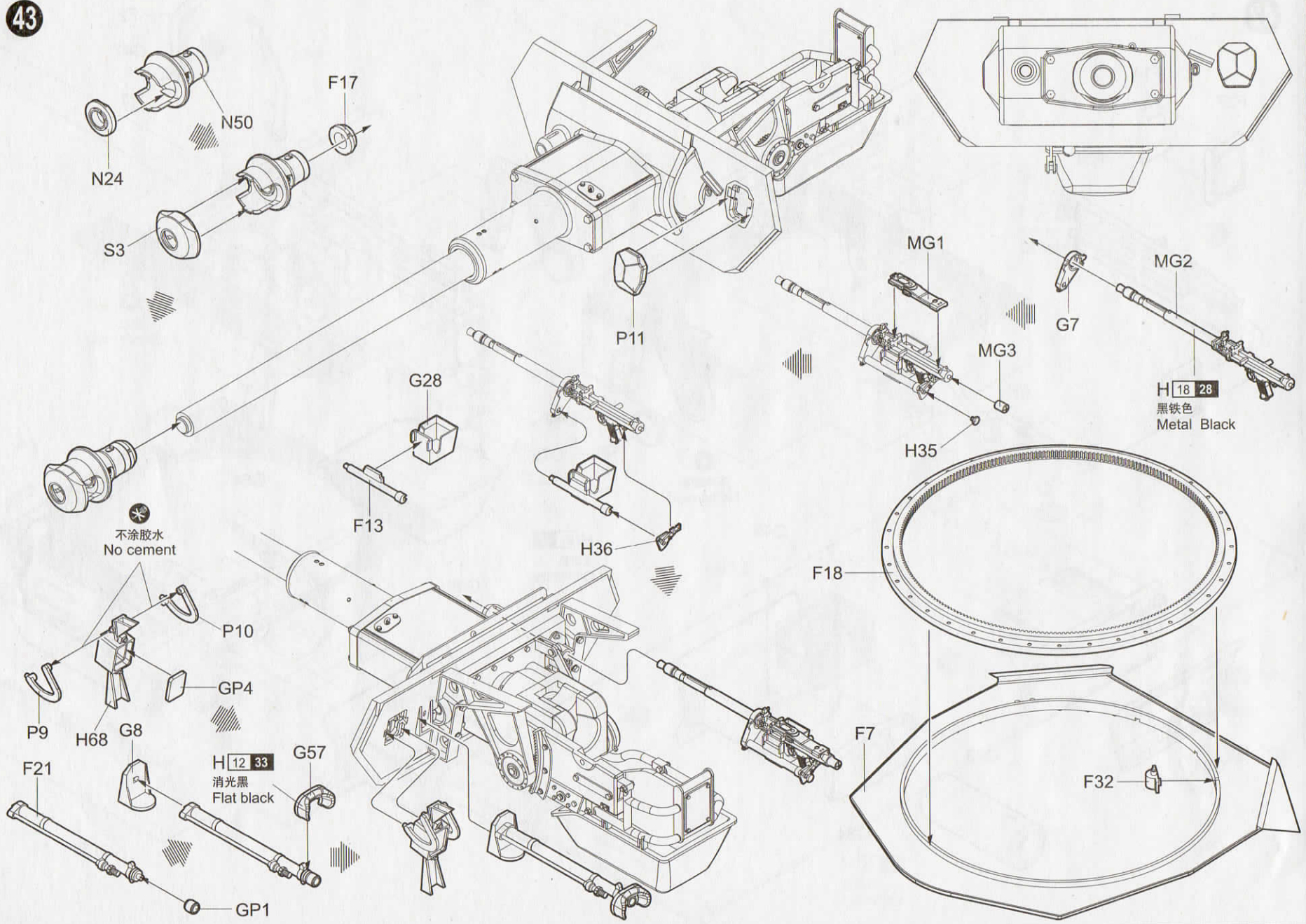


41

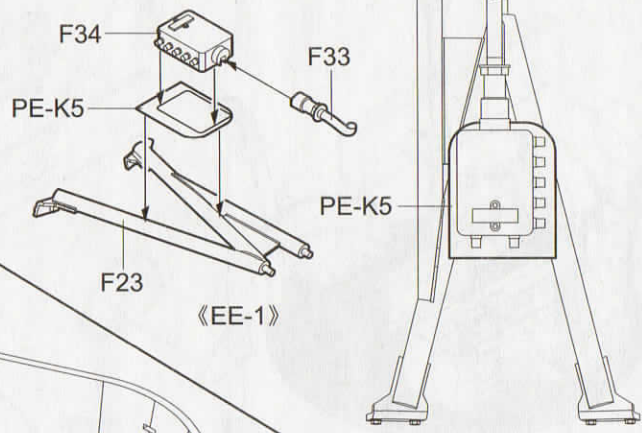
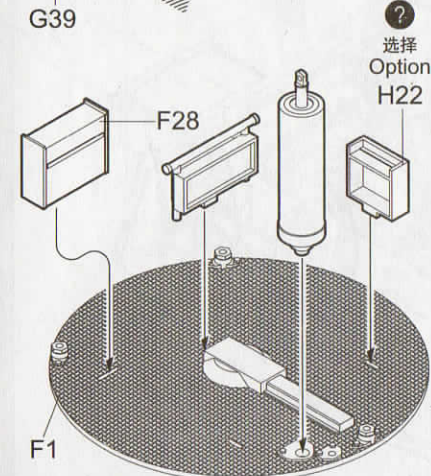
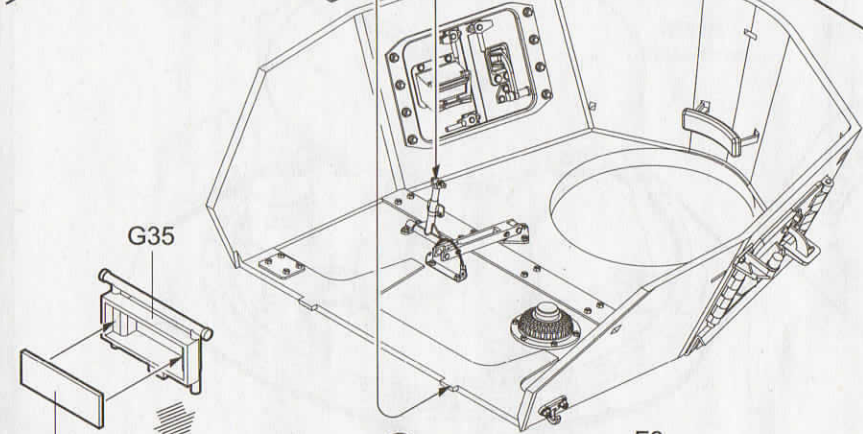
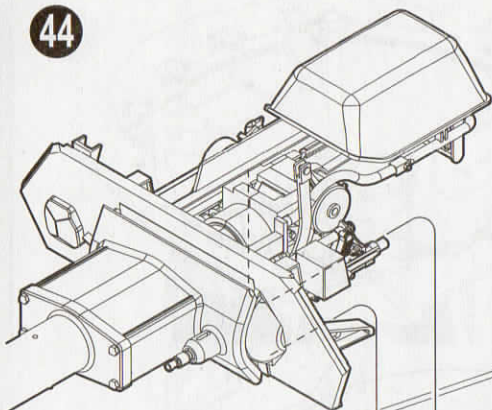


42

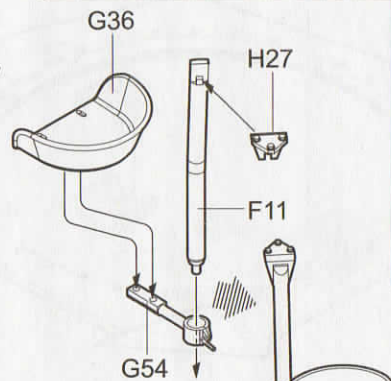




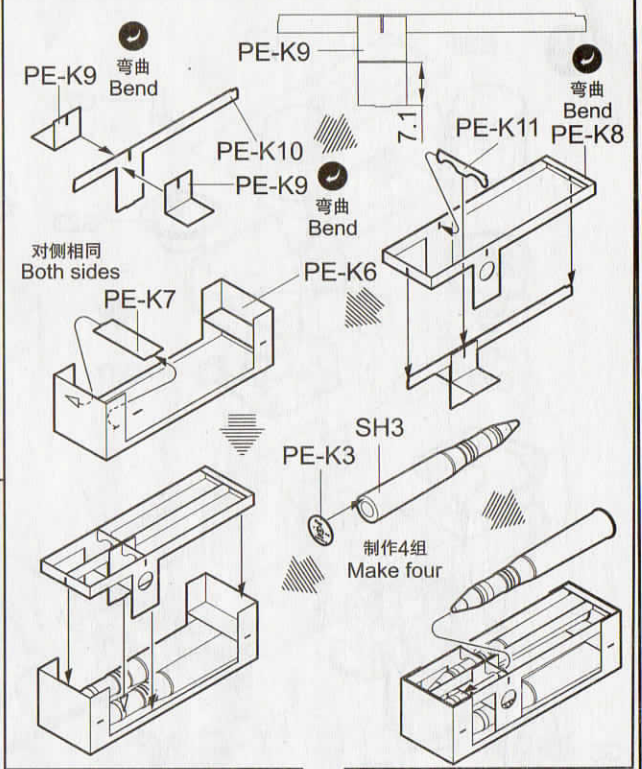
\*  
 不涂胶水  
 No cement



《EE-1》



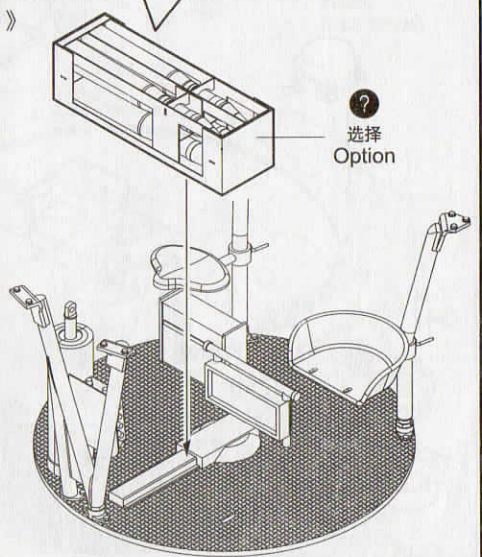
选择 H22 Option



对侧相同 Both sides

制作4组 Make four

《EE-1》



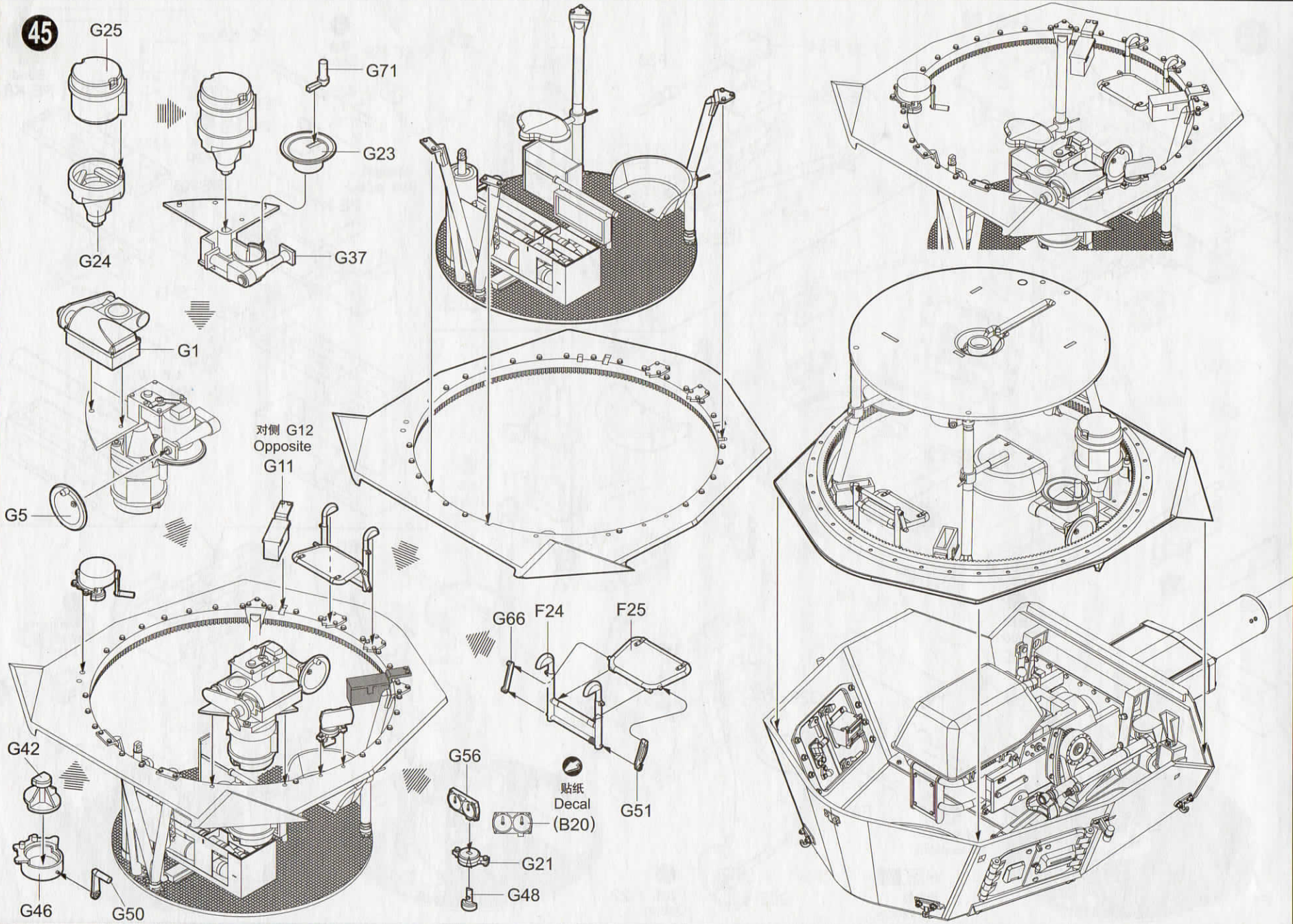
选择 Option

选择 Option H22

不涂胶水 No cement

H 21 69 淡白色 Off White

45

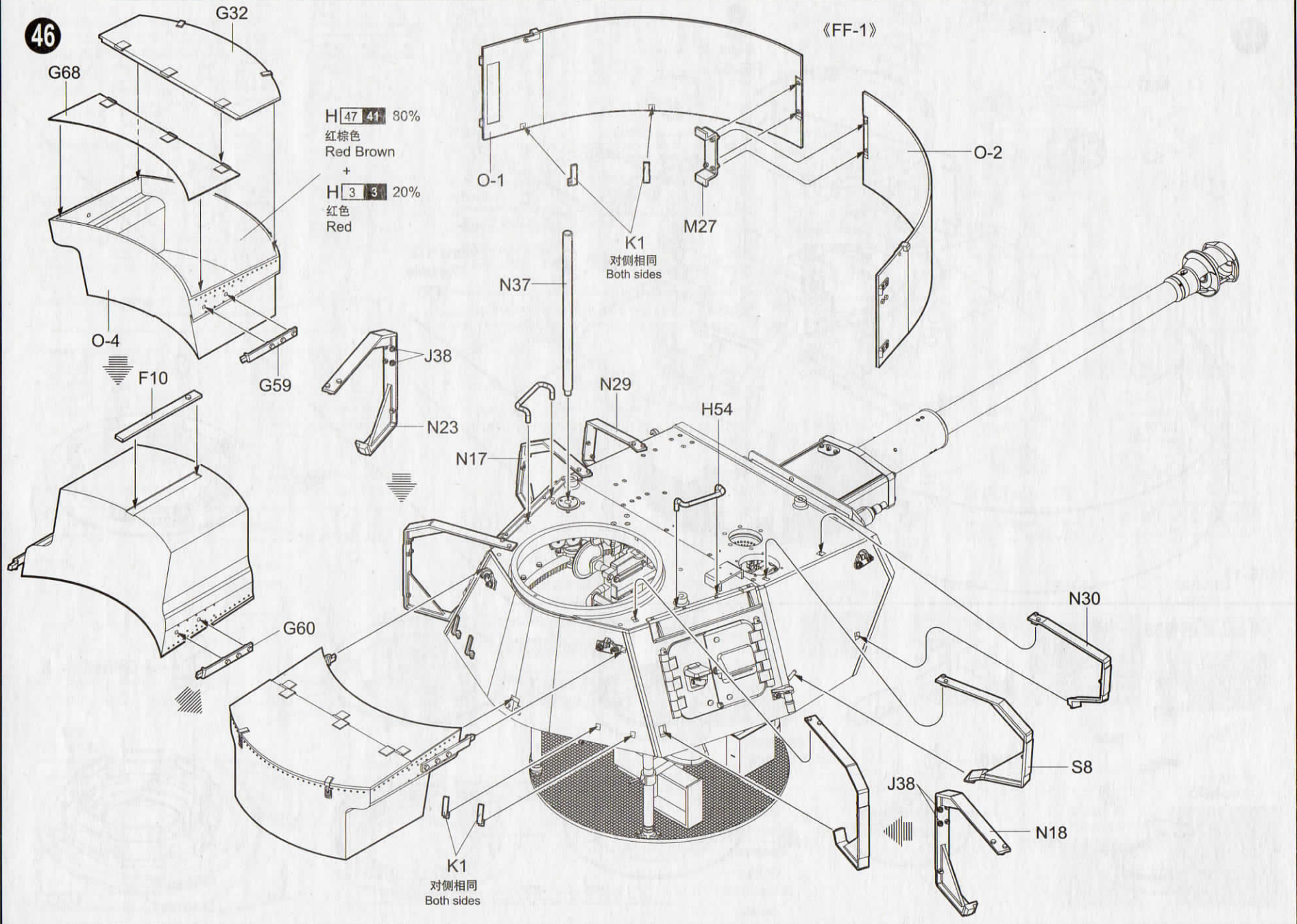


对侧 G12  
Opposite  
G11

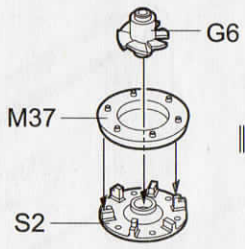
贴纸  
Decal  
(B20)



46



47



弯曲  
Bend  
PE-B7

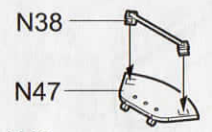
M44

对侧 N12  
Opposite  
N13

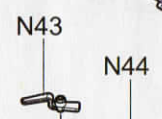
K36×8

N51

《FF-1》



N42

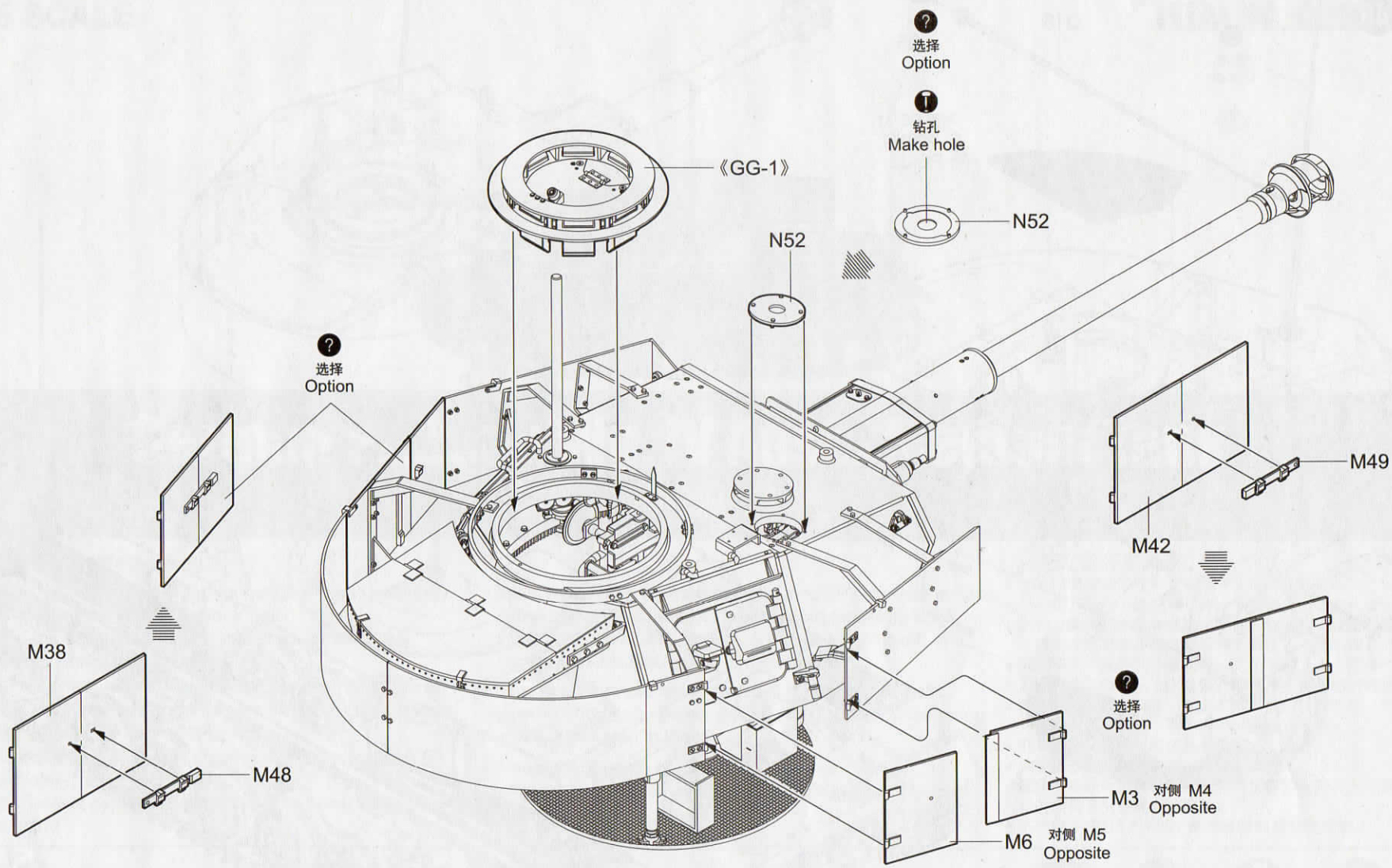


N40

N48

GP5×8

《GG-1》



49

选择  
Option

Q16

Q5

对侧 PE-J1  
Opposite  
PE-J2

