

1/72 SCALE

ZLIN Z-42M



EASY ASSEMBLY AUTHENTIC KIT



cyanocrylate glue
强力胶



weight
配重



make hole
钻孔



cut / remove
切除



option
选择



no cement
不涂胶水



decal
贴纸



bend
弯曲

The way to apply the decals

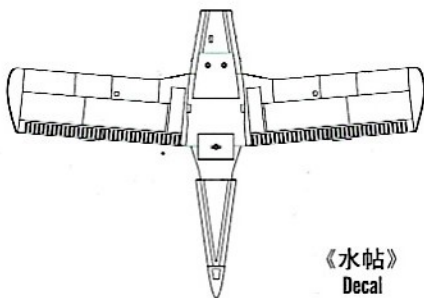
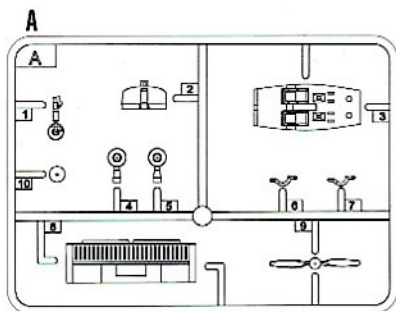
1. Cut off the decal from the decal paper and put it into the warm water 40°C for 10 seconds.
2. Take the decal from the water and put it on a piece of clean cloth.
3. Remove the decal slowly from the paper to the targeted location by a wet finger.
4. Use a piece of dry and soft cloth to press it gently on the decal until it getting dry and no bubble existing.

水贴纸的使用方法:

- 一. 把相关的印花从水贴纸上剪下, 放入40°C左右的温水中浸10秒。
- 二. 然后将印花放在干净的布上。
- 三. 拿上印花纸版, 手指蘸水将印花移到适当的位置。
- 四. 用软干布轻压印花直至水干, 气泡消失。

部品图 Parts

《机翼》
Wing



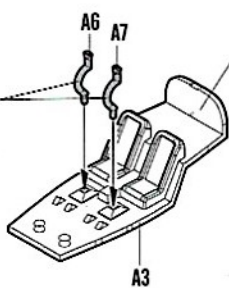
《机身》
Fuselage

《座舱盖》
Canopy

《水帖》
Decal



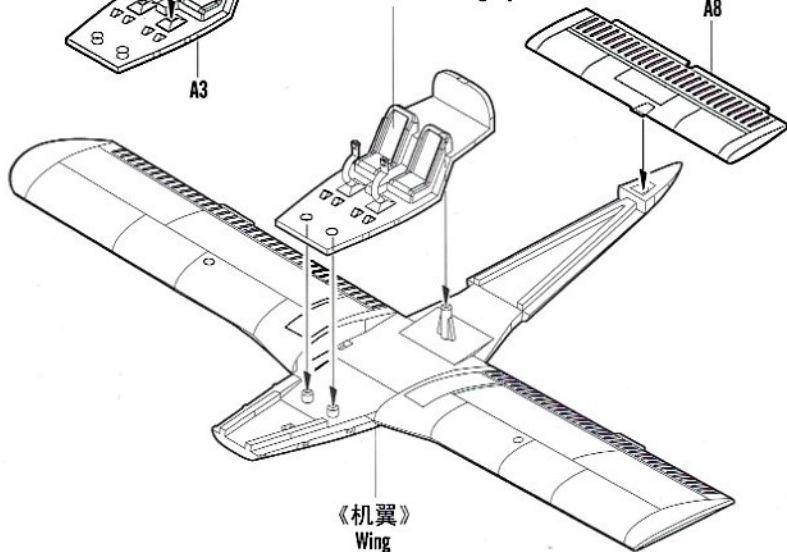
H 12 33
消光黑
Flat black



H 337 337
浅灰兰
Gray Blue

H 335 335
中性灰色
Medium Seagray BS381C/637

A8



《机翼》
Wing

《座舱盖》
Canopy

H 25 34

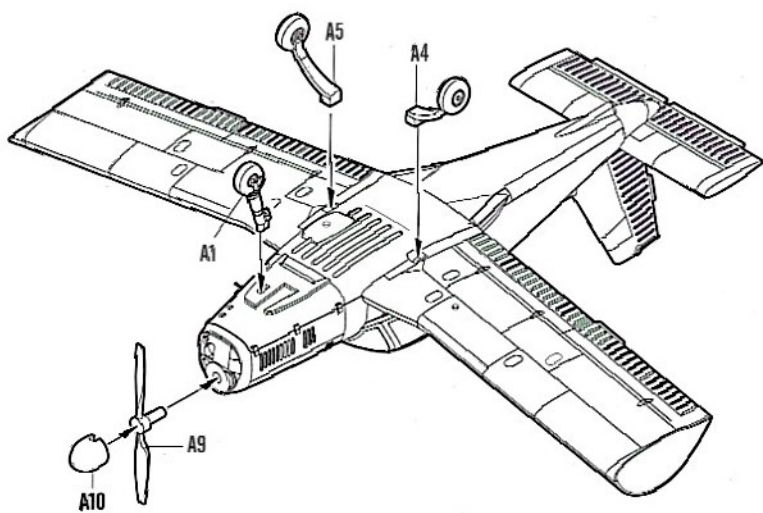
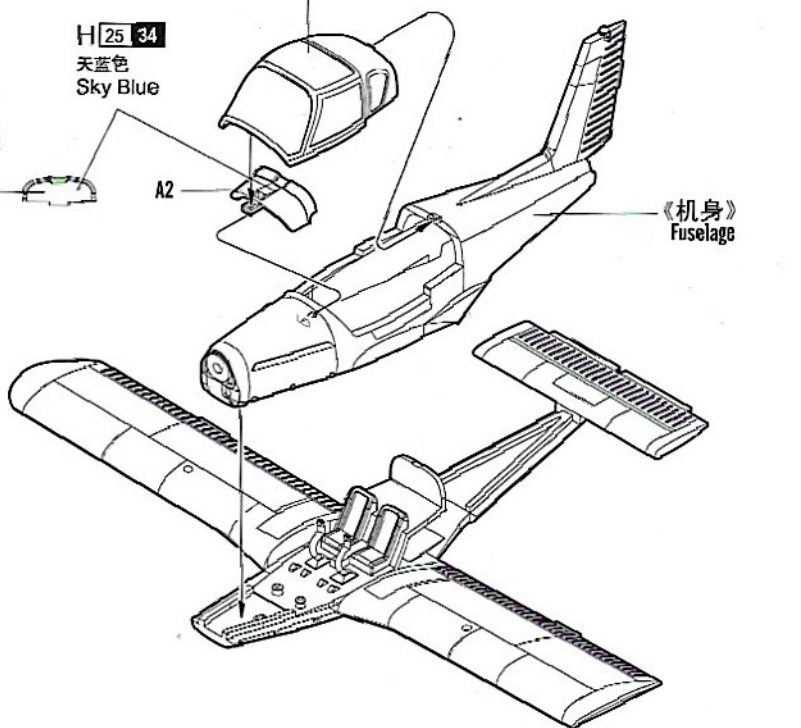
天蓝色
Sky Blue

Decal
贴纸

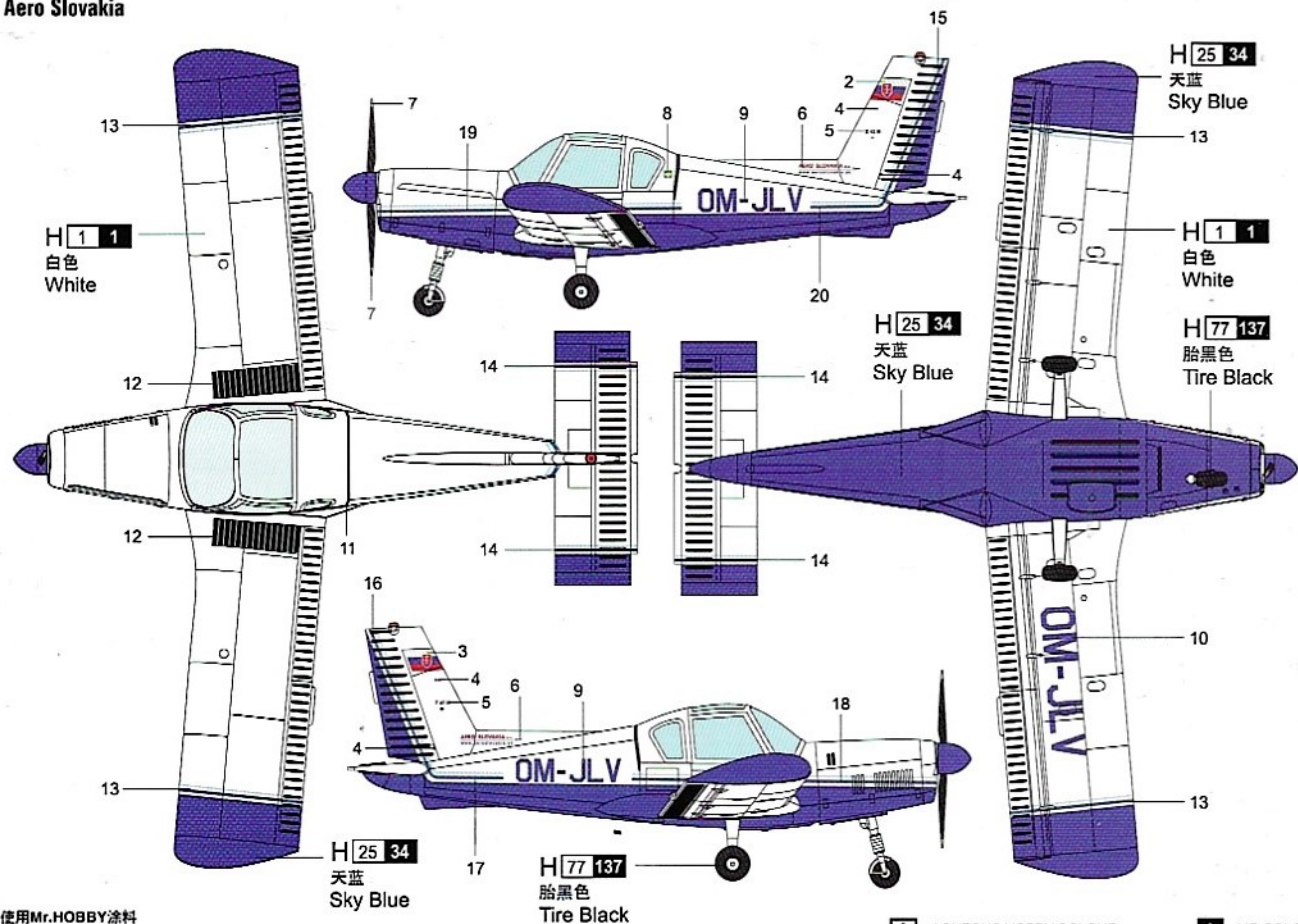
1

A2

《机身》
Fuselage



Aero Slovakia



使用Mr.HOBBY涂料
 Mr. Color used

8 AQUEOUS HOBBY COLOUR

6 MR.COLOUR

※ Some paints may not be available in your country. Please check your local hobby shop for substitute

ZLIN Z-42M

EASY ASSEMBLY AUTHENTIC KIT

MODEL BRIEF

Length: 98 mm

Width: 128 mm



HOBBY BOSS

1:72 SCALE

AGES 14 +

Actual model may vary from image on box.
本产品与包装图形有所差别

“兹林” Z-42M