

MARKINGS AND PAINTING

Marcio & Pittura

Markierungen und Bemalung

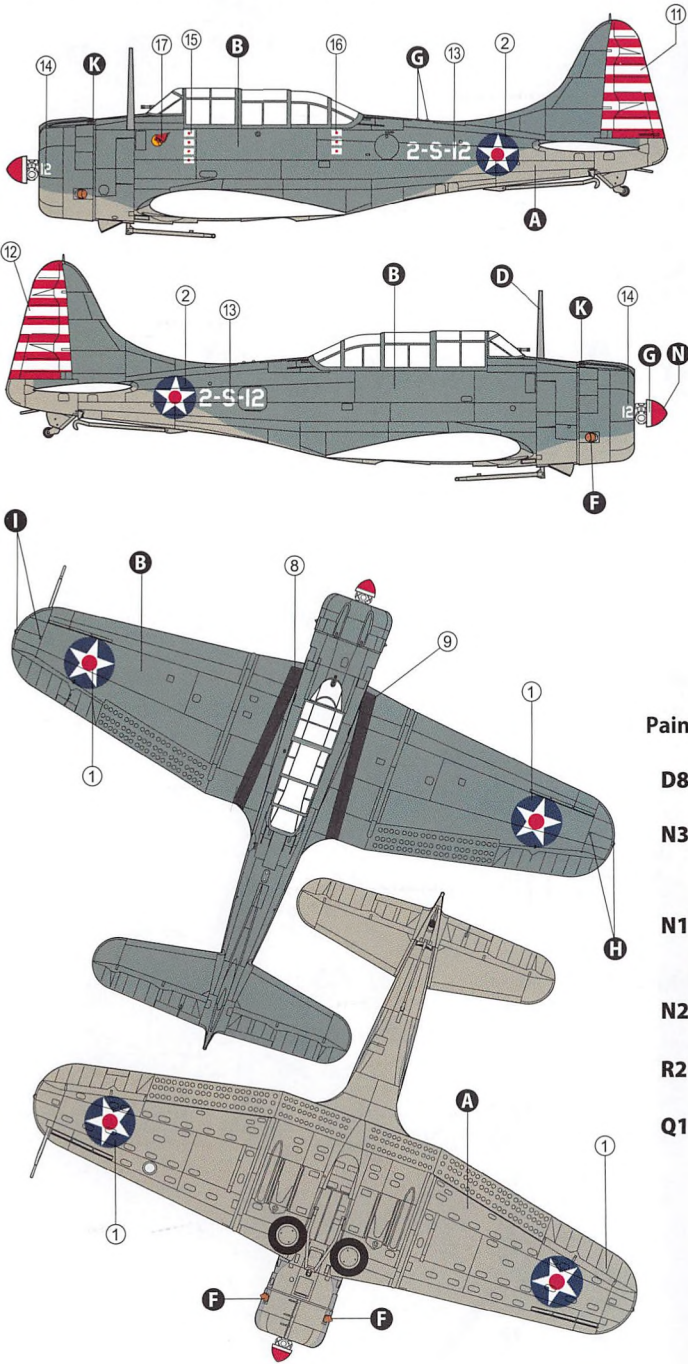
Oznakowania i Malowanie

Decoracion et Peinture

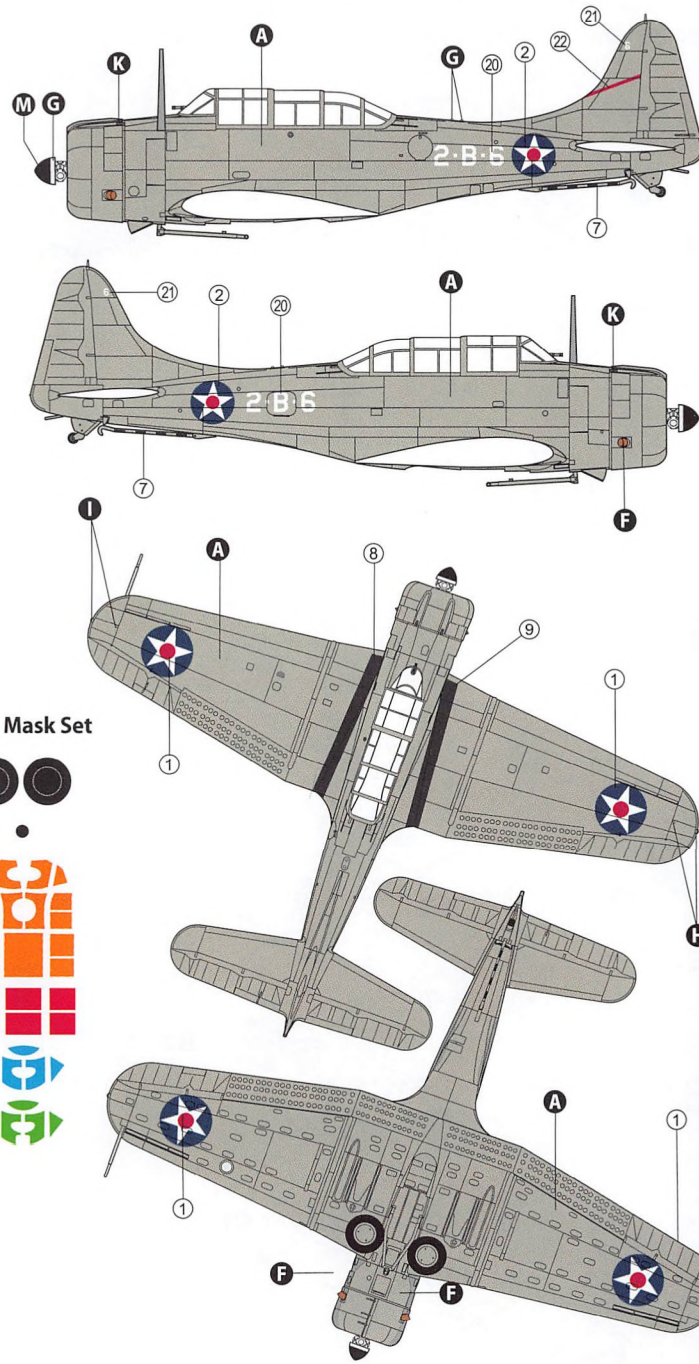
Označeni & Zbarveni

Decoracion y Pintura

SBD-3, VS-2, Pilot LT John Leppla, John Liska
Battle of Coral Sea, USS Lexington, 7 May 1942

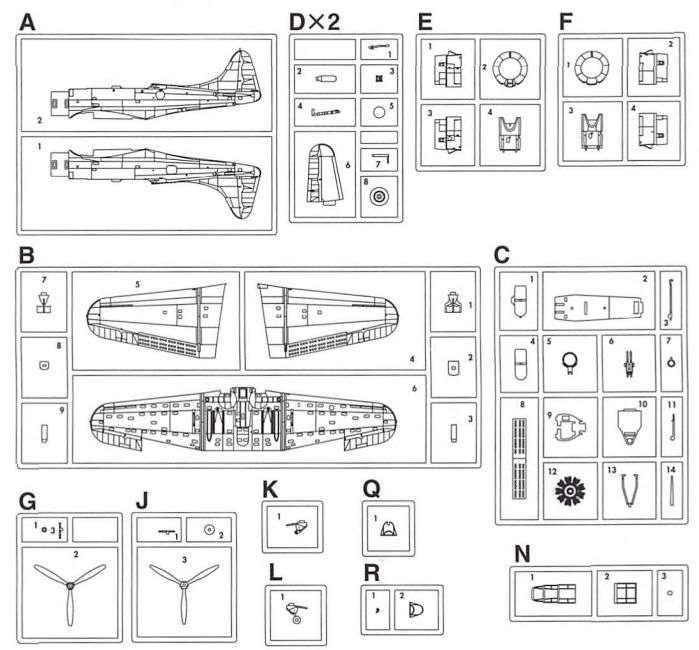
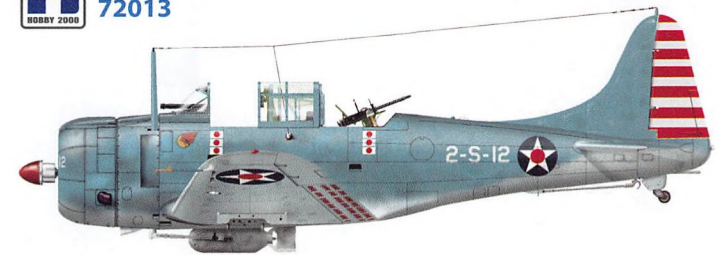


SBD-2, "White 2-B-6" BuNo 4628, VMSB-232
Ewa Mooring Mast Field, Territory of Hawaii, 7 December 1941.



DOUGLAS SBD-2/3 DAUNTLESS

72013



Color Chart	Mr. COLOR	TAMIYA	ALCLAD 2	AMMO	AK Interactive	HATAKA
ANA602 Light Gray	A 315	XF-19	E317	241	RC 255	048
ANA603 Blue Gray	B 367	XF-18	E634		RC 256	218
ANA611 Interior Green	C 351		E309	220	RC 028	211
Flat Black	D 33	XF-1	E102	046	RC 071	100
Matt Yellow	E 329	XF-3	E606	048	RC 007	066
Rust	F 29	XF-79		040	AK-707	132
Silver	G 8	X-11	112	195	AK-476	003
Clear Blue	H 50	X-23	403	098	RC 504	CC01
Clear Red	I 47	X-27	401	093	RC 503	CC02
Olive Drab	J 12	XF-62	E617	927	RC 259	018
Gun Metal	K 214	X-10	120	045	RC 015	106
Brass	L 219		109	197	AK-475	107
Gloss Black	M 2	X-1	305	046 + 091	RC 001/502	
Red	N	X-7	E657	049 + 091	RC 005/502	
ANA513 Engine Gray	O 338	XF-56		239	RC 243	033
Leather	P	XF-10		133	RC 014	186



APPLY DECAL
HIEAR ABZIEHBILD
KALKOMANIA
POUŽIJTE OBTISK

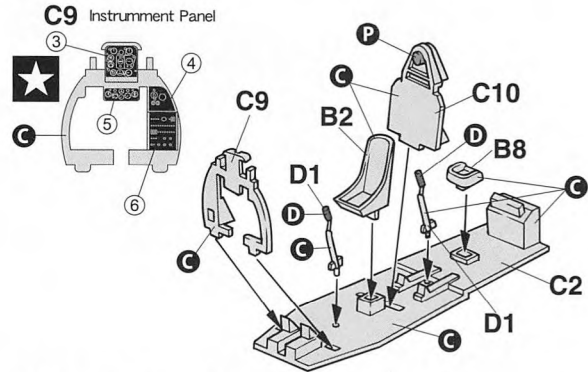
APPLICARE DECALCOMANIE
PONER CALCOMANIA
APPLIQUER DECALCOMANIE



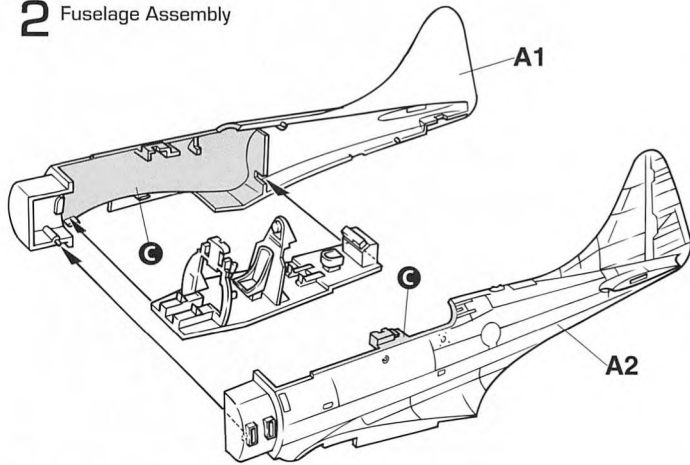
OPEN HOLE
OFFNEN
WYKONAĆ OTWÓR
VYVRTAT OTVOR

FORO APERTO
HACER AQUJERO
FAIRE UN TROU

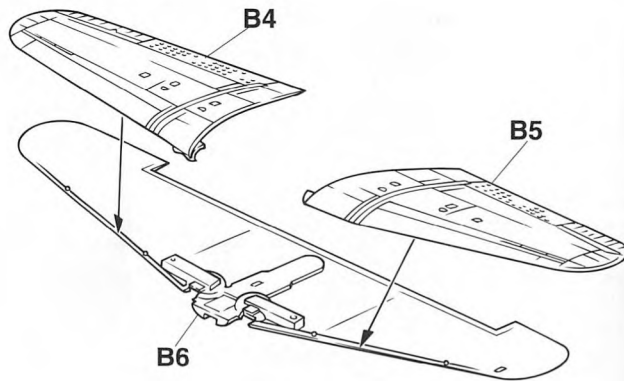
1 Cockpit Assembly



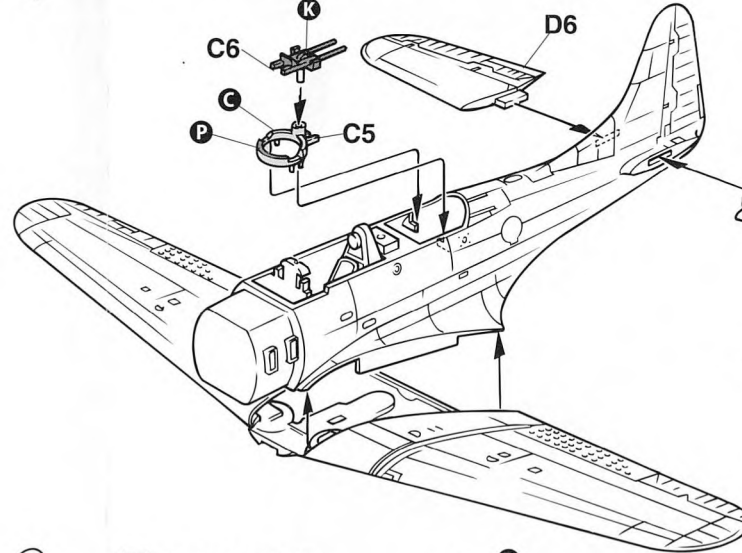
2 Fuselage Assembly



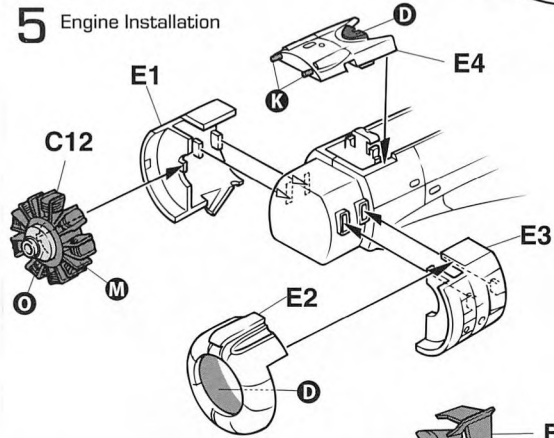
3 Main Wing Assembly



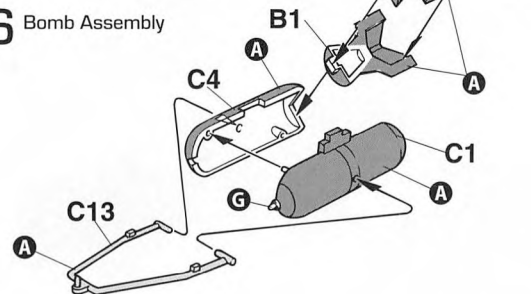
4 Main Wing & Horizontal Stabilizer Installation



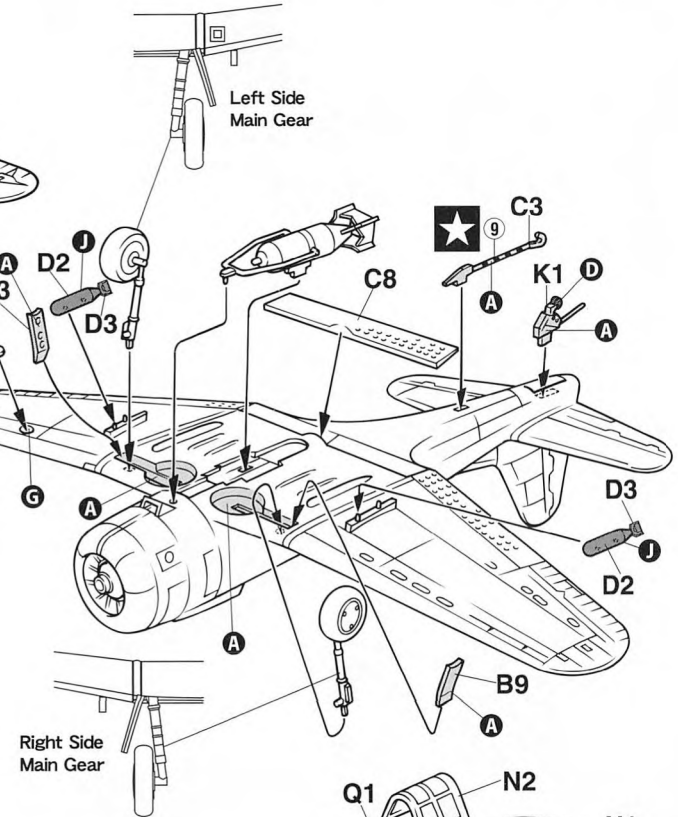
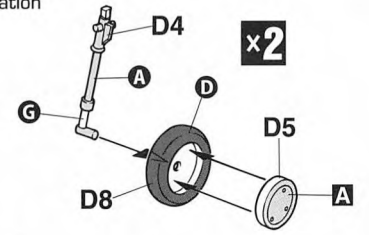
5 Engine Installation



6 Bomb Assembly



7 Various Parts Installation



8 Propeller & Canopy Installation

