

MITSUBISHI ZERO FIGHTER (A6M3)



ZERO-SEN TYPE 32 (HAMP)

HISTORY

To improve the already impressive performance of the Zero-Sen, a newer version of the Sakai engine was mated to a strengthened airframe and the hinged wingtips were removed, thus increasing the wingloading, reducing the manoeuvrability but adding to its maximum speed. When first encountered, the A6M3, as it was designated, was thought to be an entirely new design so it was dubbed "Hamp" by the Allies. When it was found to be only a progressive modification to the Zero-Sen, it became known as the Zeke 32. Despite the marginal improvement in performance offered in the new Zero-Sen, it became increasingly apparent that the tide of war was turning. A total of 343 of the clipped-wing version of this versatile fighter were completed.

By 1943, captured Zero-Sens had given the Allies a chance to devise new tactics in combating the fleet little fighter. Although still holding the upper hand, the superiority of the Zeke was beginning to slip in the face of American planes designed to clear them from the sky.

CHARACTERISTICS

Wingspan: 36 feet 1 inch

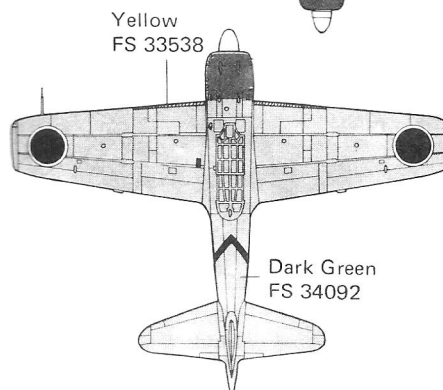
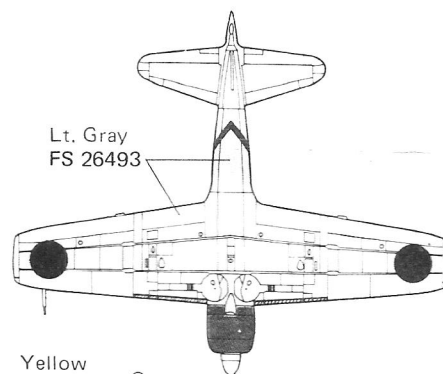
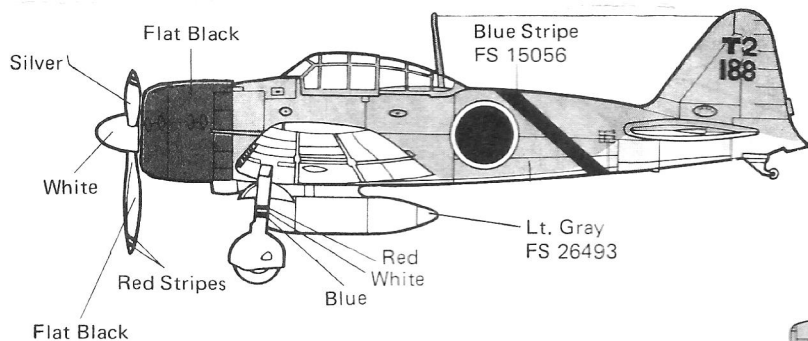
Length: 29 feet 9 inches

Powerplant: One Nakajima Sakai 21 fourteen cylinder 1,130 hp engine

Maximum Speed: 338 mph at 19,680 feet

Armament: Two 7.7 mm Type 97 machine guns, two 20 mm Type 99 cannon and two 66 lb or 132 lb bombs

PAINTING SUGGESTIONS

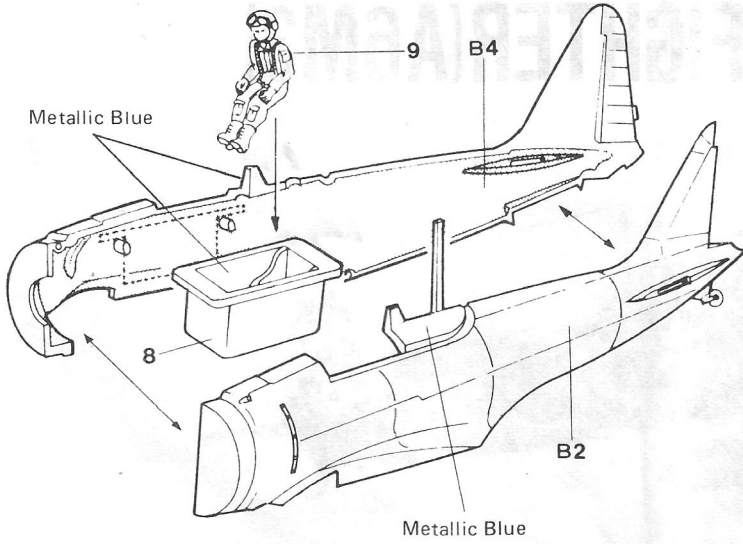


MANUFACTURED IN JAPAN
& PACKED IN ENGLAND
By A. A. HALES LTD.
HINCKLEY, LEICS.

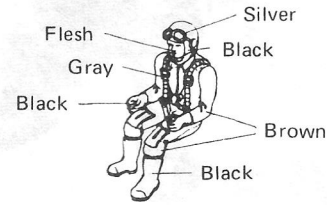


JS-077

1

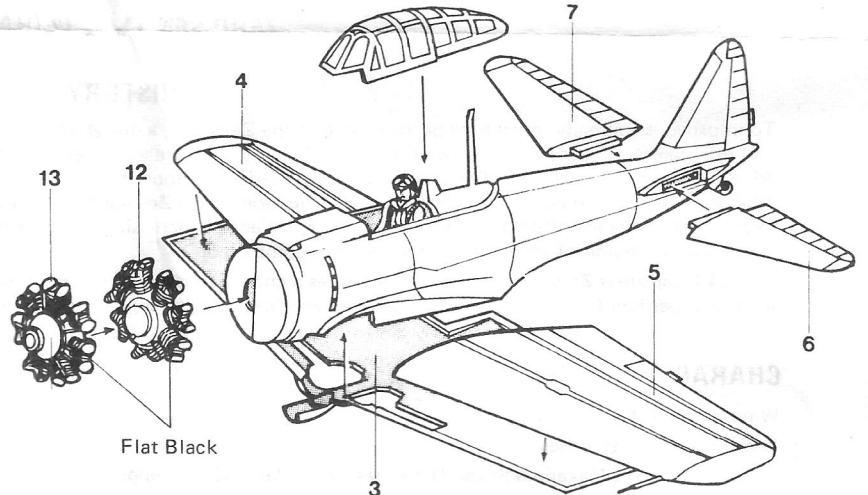


Cement pilot figure (9) into seat in cockpit (8) and cement cockpit to right fuselage side (B4). Cement left fuselage side (B2) to right side.



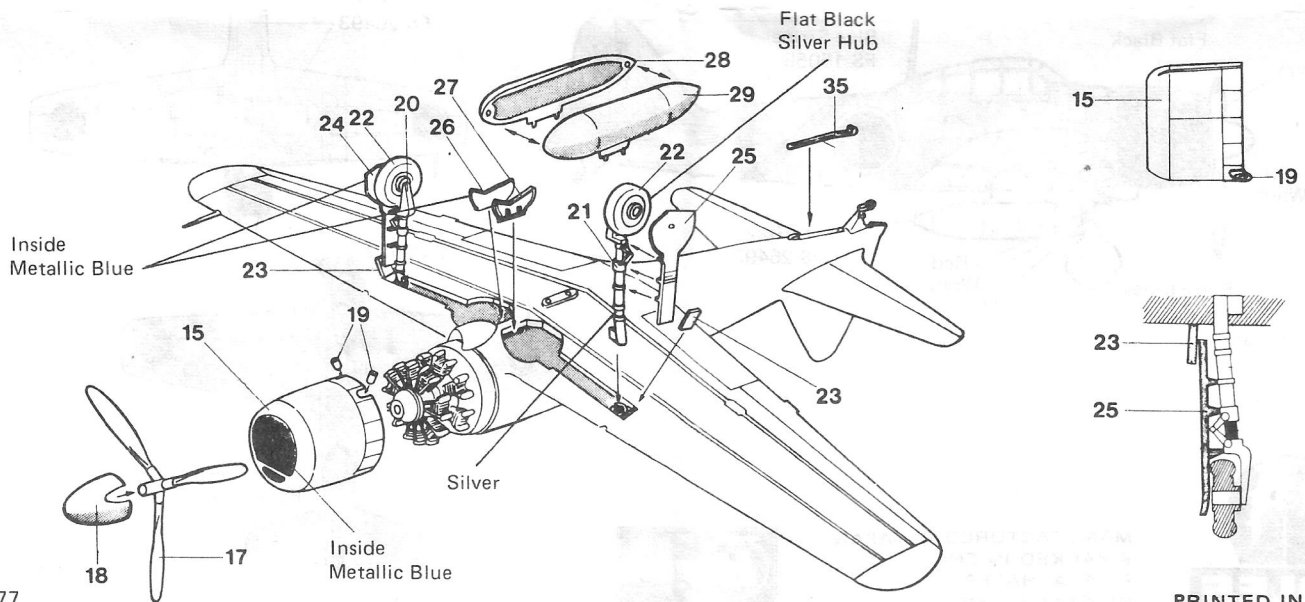
2

Cement clear canopy over cockpit. Cement upper wing halves (4 and 5) to lower wing section (3) and cement wing to fuselage. Cement stabilizers (6 and 7) to fuselage as shown. Cement engine front (13) to engine rear (12) and cement engine to fuselage.



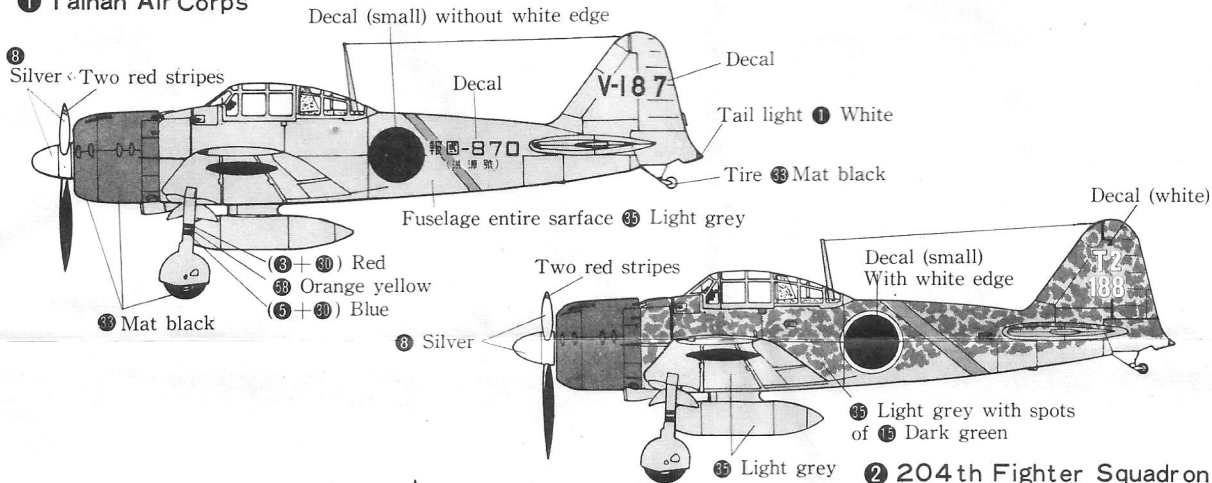
3

Cement exhaust stacks (19) to cowling (15) and cement cowling to fuselage. Cement spinner (18) to propeller (17) and cement propeller to engine. Place wheel (22) over axle on gear strut (21). Cement gear door (25) to strut, trapping wheel. Cement gear into right wheel well and cement small door (23) in place as shown. Repeat with parts (20, 22, 23 and 24) for left gear. Cement inner gear doors (26 and 27) to well as shown. Cement fuel tank halves (28 and 29) together and to fuselage. Cement arresting hook (35) in place as shown.

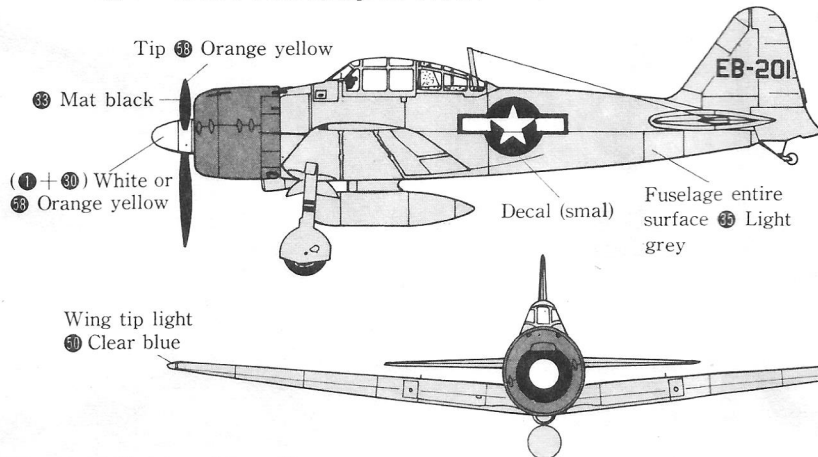


MITSUBISHI ZERO (A6M3) TYPE-32 Marking & Color Painting Guide

1 Tainan Air Corps



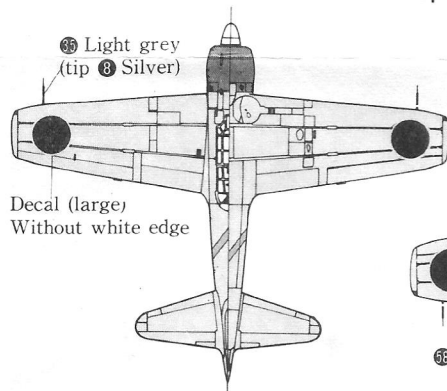
3 Aircraft tested by U. S. A. F



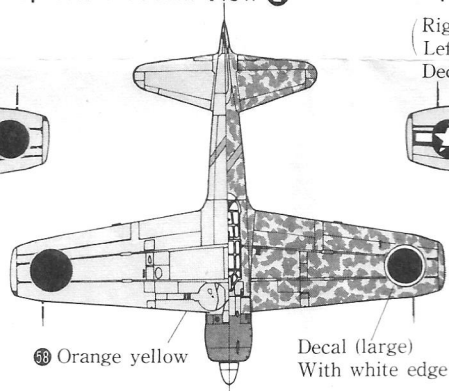
2 204th Fighter Squadron (Paint the details in the same colors as 1)

- Inside of landing gear cover — 37 Malachite green
- Interior of landing gear — 37 Malachite green
- Interior of cockpit — 38 Silver or 37 Malachite green
- Head rest — 36 Grey
- Exhaust pipe — 30 Burnt iron

Top and Bottom View 1



Top and Bottom View 2



Top and Bottom View 3

