

AT-11

KANSAN

PM
MODEL
PM-303

1/72 ÖLÇEK / SCALE / MASSTAB / ECHELLE
MODEL KIT / MODELLE REDUIT / MODELL BAUSATZ

Sivil Beechcraft D-18'den geliştirilerek üretilen Beechcraft AT-11 Kansan, II.Dünya Savaşı sırasında A.B.D Kara Havacılığının standart bombardımancı ve silahçı eğitim uçağıydı. Kara Kuvvetleri için 1582, Deniz Kuvvetleri için 320 uçak (SNB-1) üretildi. AT-11 sırtında .30 kalibrelik bir makinalı tüfek ile on adet 100 poundluk eğitim bombası taşıyabiliyordu.

TEKNİK ÖZELLİKLERİ

Motor	: 2XPW R-985 Wasp	Tam yükte ağırlık	: 3962 kg.
Gücü	: 450 hp.	Maks. Sürat	: 360 km/h
Kanat genişliği	: 14.52 mt.	Uçuş tavanı	: 6100 mt.
Gövde boyu	: 10.43 mt.	Uçuş menzili	: 1370 km.
Yükseklik	: 2.84 mt.	Silahları	: —

Developed from the civil Beechcraft D-18, the Beechcraft AT-11 Kansan was the standart U.S.Army Air Corps bombing and gunnery crew trainer during the Second world war.A total of 1582 aircraft were built for the Army and another 320 aircraft(SNB-1) for the U.S Navy. The AT-11 could carry a single .30 caliber machine gun in the dorsal position and ten 100 pound practice bombs.

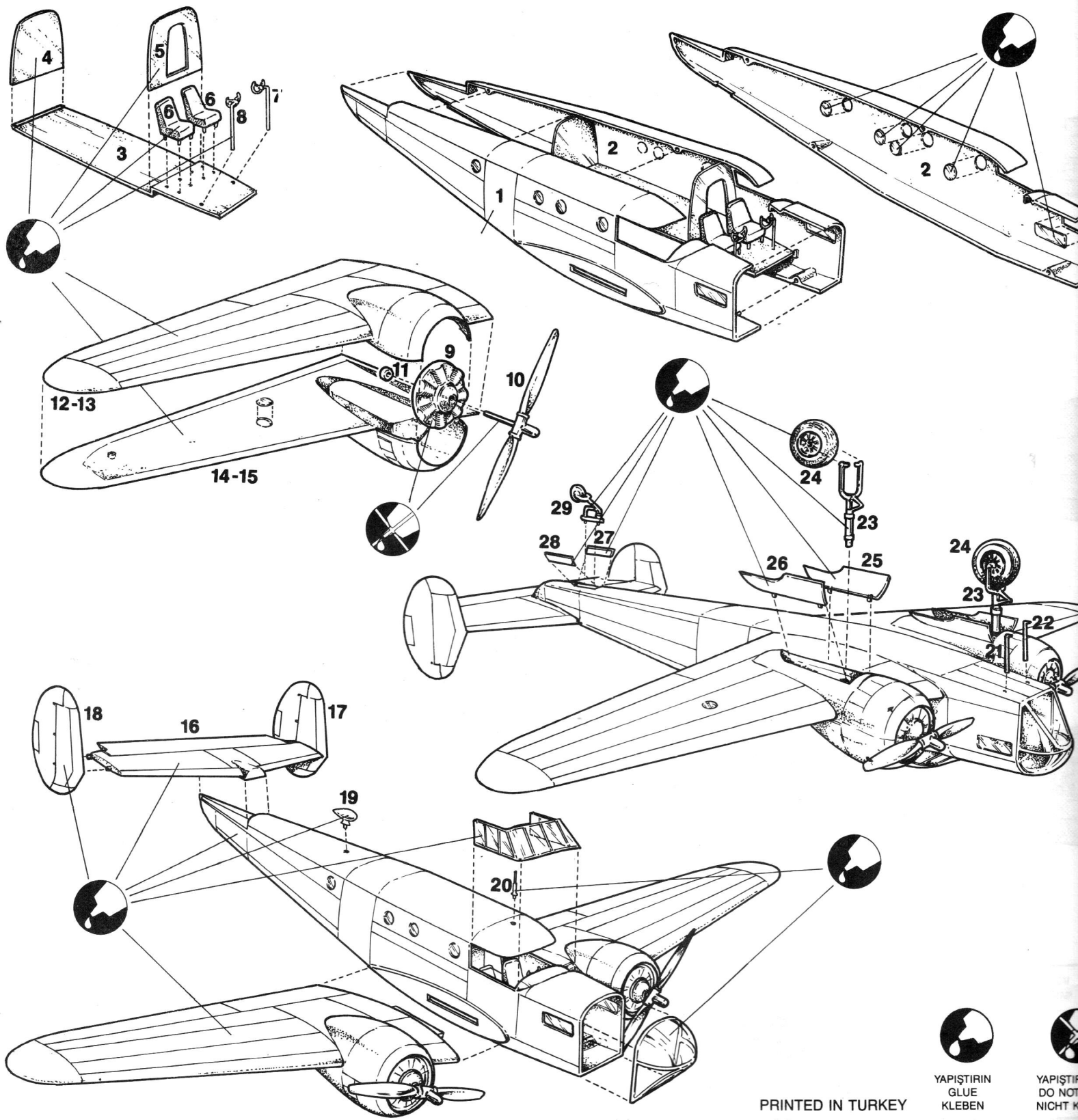
SPECIFICATION

Engine	: 2XPW R-985 Wasp	Loaded weight	: 8726 lb.
Max. power	: 450 hp.	Max. speed	: 216 mph.
Wing span	: 47 ft. 9 inch	Ceiling	: 20.000 ft.
Lenght	: 34 ft. 4 inch	Range	: 850 mls.
Height	: 9 ft. 9 inch	Armament	: —

Die At-11 Kansan, entwickelt aus der zivilen Beechcraft D-18, war das Standardflugzeug für das U.S. Army Bomben und Bortschützenttraining während des zweiten Weltkrieges. 1582 Flugzeuge wurden für die Army und weitere 320 Stück (SNB-1) für die Navy gebaut. Die AT-11 konnte eine einzeine 30 Schub Maschinenpistole mitführen und zehn 100 pfund schwere Bomben.

TECHNISHEN DATEN

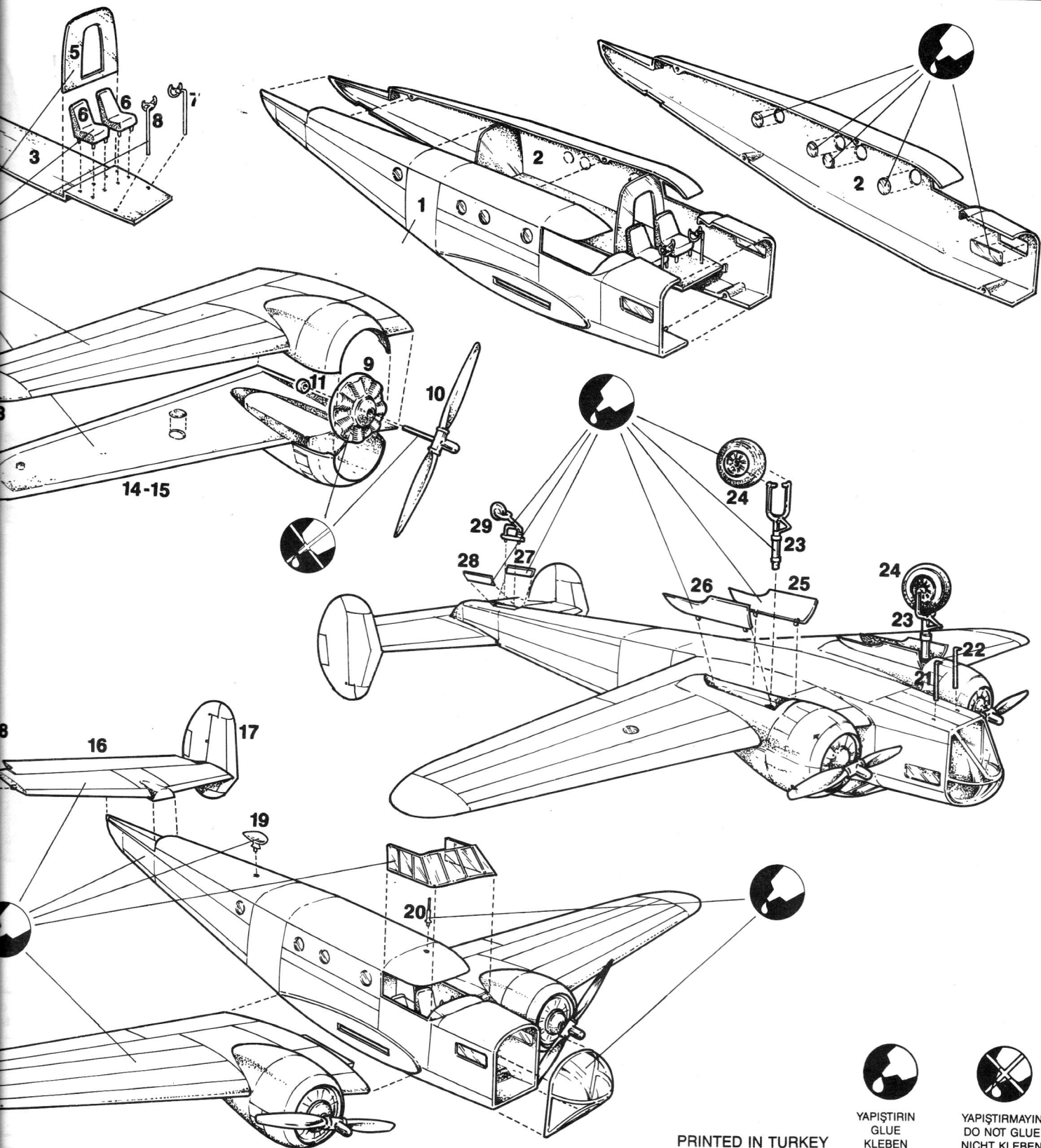
Triebwerk	: 2XPW R-985 Wasp	Abfulggewicht	: 3962 kg.
Startschub	: 450 kp.	Höchstgeschwindigkeit	: 346 km/h
Spannweite	: 14.52 m.	Dienstgipfelhöhe	: 6100 m.
Lange	: 10.43 m.	Reichweite	: 1370 km.
Höhe	: 2.84 m.	Bewaffnung	: —



PRINTED IN TURKEY

YAPIŞTIRIN
GLUE
KLEBEN

YAPIŞTIR
DO NOT
NICHT K



PRINTED IN TURKEY



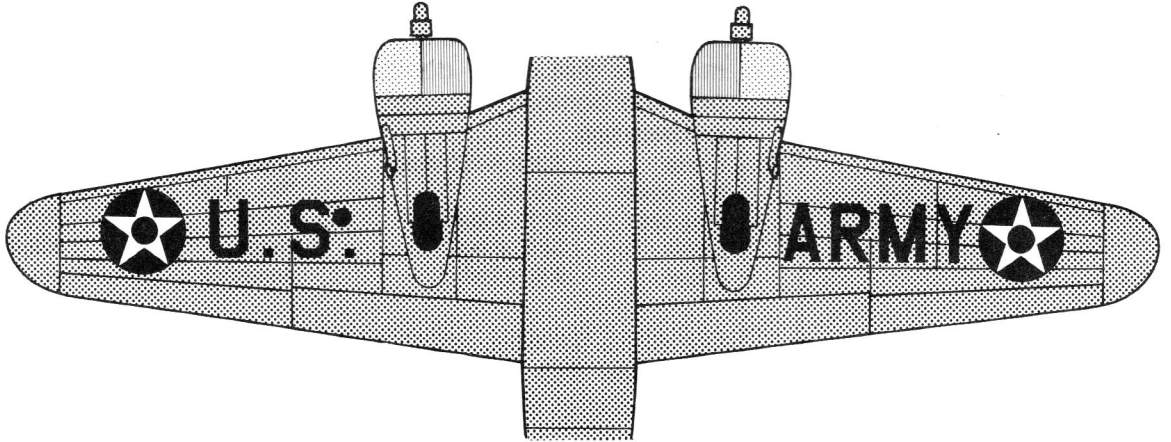
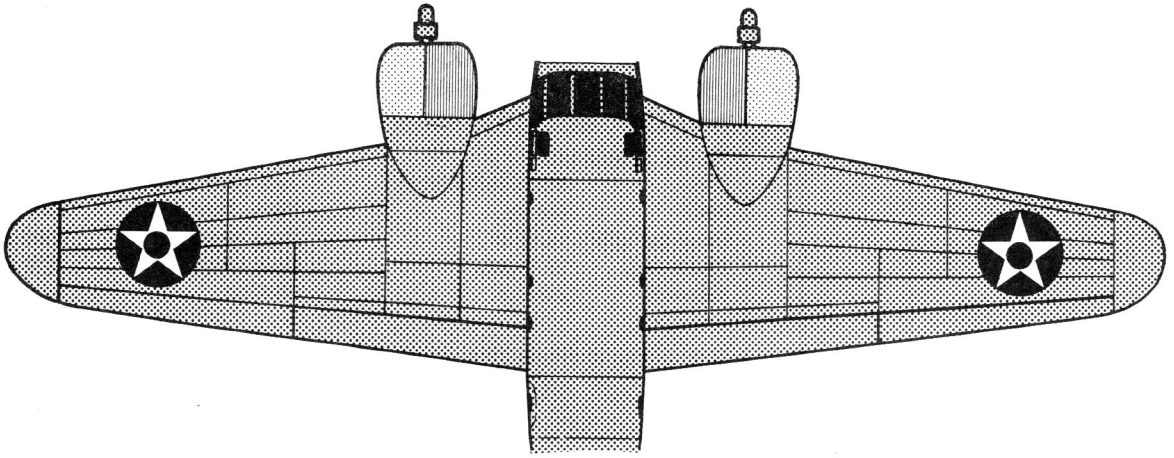
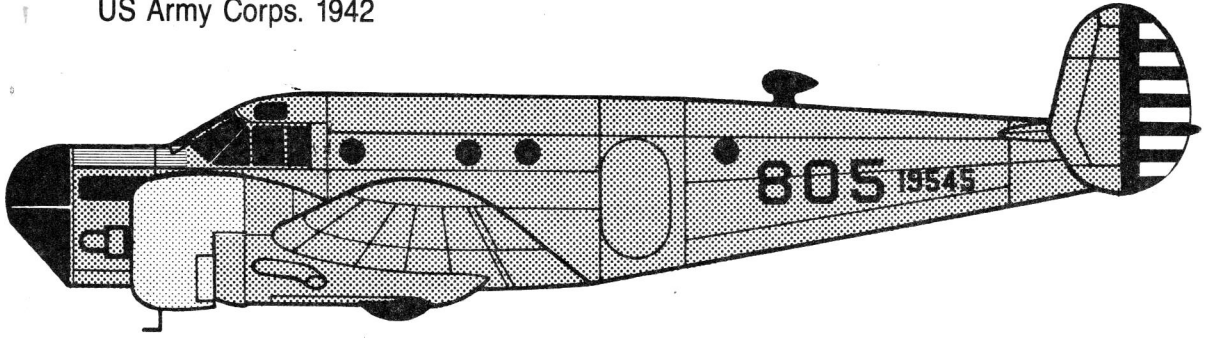
YAPIŞTIRIN
GLUE
KLEBEN



YAPIŞTIRMAYIN
DO NOT GLUE
NICHT KLEBEN

AT-11 ABD Kara Ordusu Havacılık Gurubu 1942

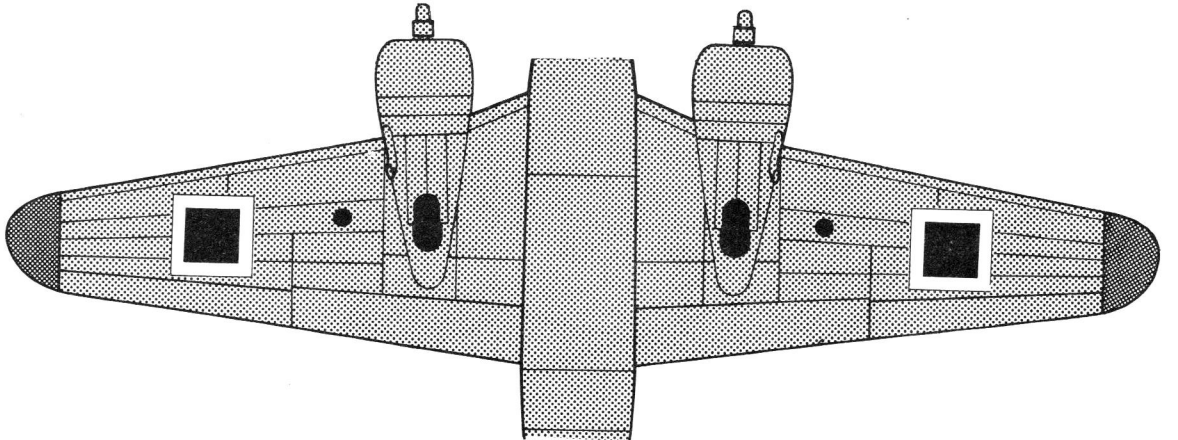
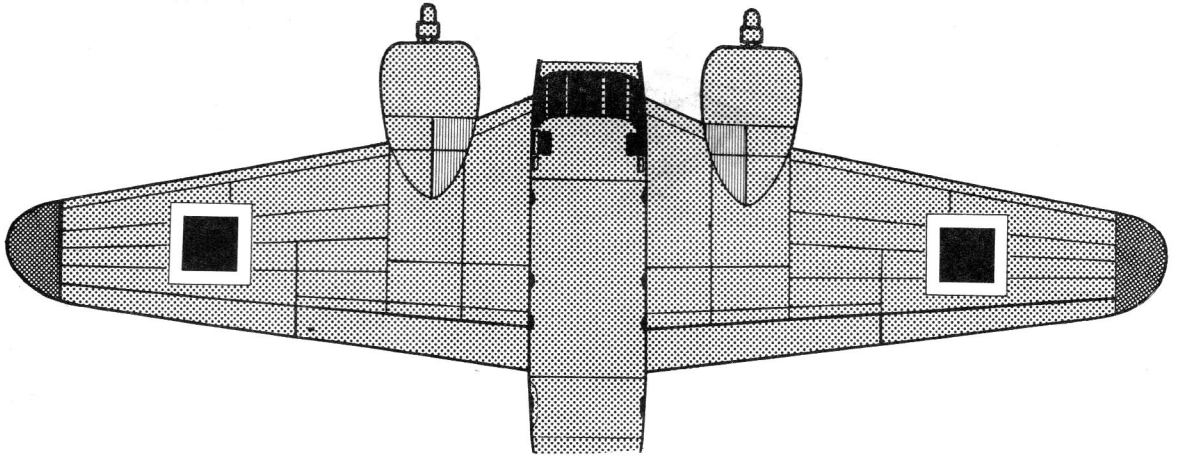
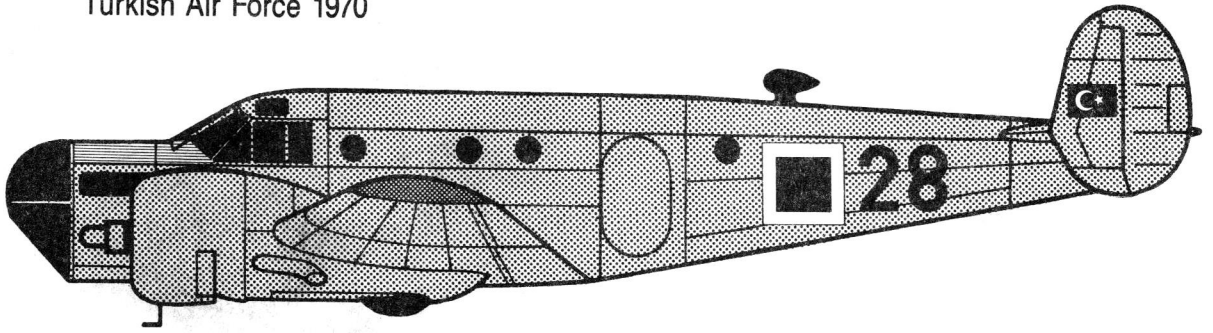
US Army Corps. 1942



	TÜRKÇE	ENGLISH	GERMAN	FS	HUMBROL AUTHENTIC	HUMBROL	REVEL	XTRA COLOR	MOLAK	MODEL MASTER	POLLYS	GUNZE SANGYO	TAMIYA
	METAL	NATURAL METAL	SILBER	17178	HB-14	11	90	X-501	24	2714	PF-17	H-8	X-11
	KIRMIZI	SIGNAL RED	SIGNAL ROT	31302	HT-5	174	36	X-14	LR-5	—	—	H-23	—

AT-11 Türk Hava Kuvvetleri 1970

Turkish Air Force 1970



	TÜRKÇE	ENGLISH	GERMAN	FS	HUMBROL AUTHENTIC	HUMBROL	REVEL	XTRA COLOR	MOLAK	MODEL MASTER	POLLYS	GUNZE SANGYO	TAMIYA
	TURUNCU	ORANGE	LEUCHT ORANGE	28915	—	192	332	X-253	33-M	1775	—	H-98	—
	MAT SIYAH	MATT BLACK	MATT SCHWARZ	37038	HB-10 HU-12	33	8	X-12	2-M FSC-2M	1749	IV-1 PF-10	H-2 H-12	X-01 XF-01