

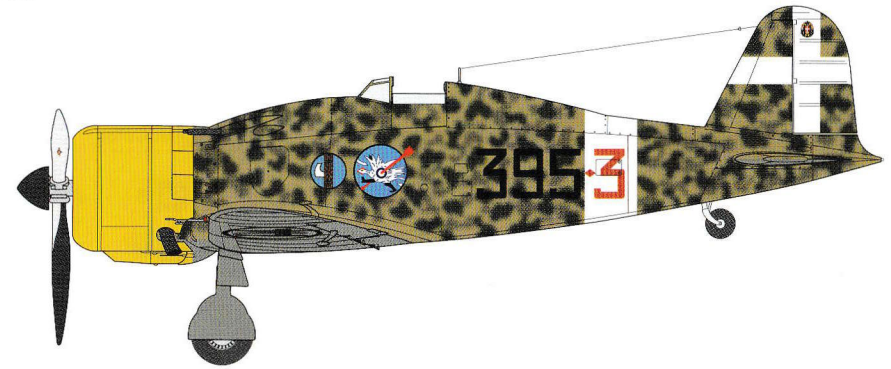


# Fiat G.50 bis

72039

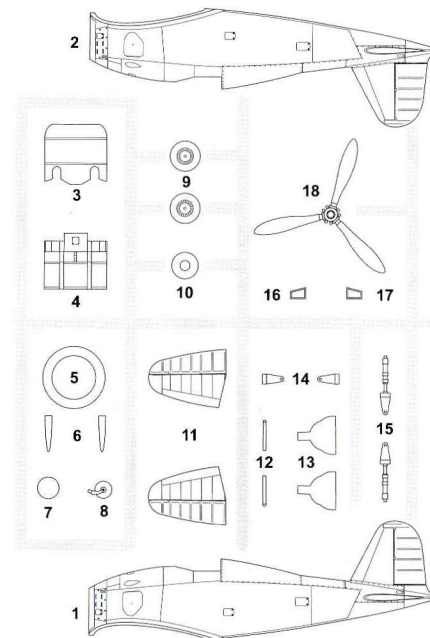
Made in Czech Republic

1/72

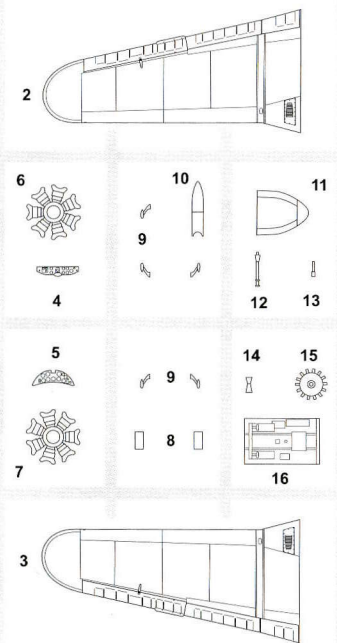


## PLASTIC PARTS

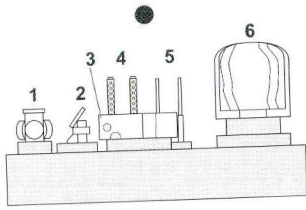
**A**



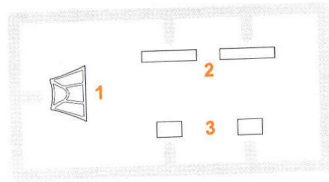
**B**



### RESIN PARTS



### CELAR PARTS



### LEGEND

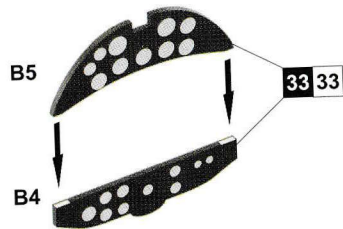
	SYMMETRICAL ASSEMBLY SYMETRICKÁ MONTÁŽ		OPTION VOLBA
	REMOVE ODSTRANIT		DECAL OBTISK
	GRIND OBROUSIT		COLOR BARVIT
	DRILL HOLE VRTAT OTVOR		ENGRAVE VYRÝT
	BEND OHNOUT		

### COLOURS

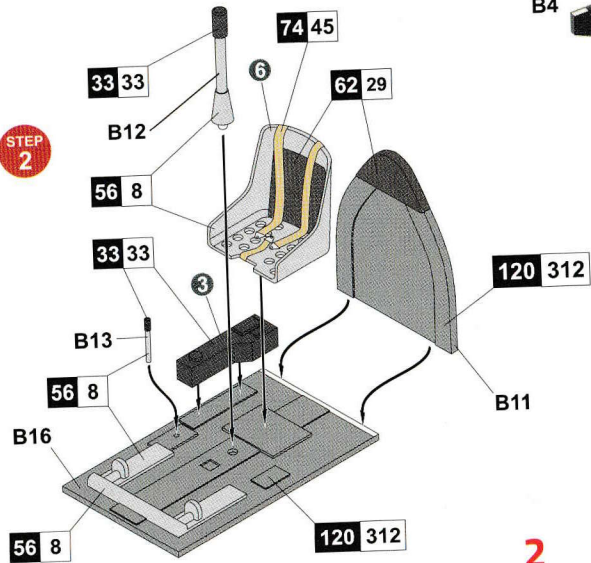
Humbrol Mr.Color

<b>2 6</b>	GLOSS GREEN	<b>56 8</b>	ALUMINIUM
<b>11 90</b>	SILVER	<b>62 29</b>	LEATHER
<b>19 3</b>	GLOSS RED	<b>74 45</b>	LINEN
<b>33 33</b>	FLAT BLACK	<b>113 41</b>	RUST
<b>53 61</b>	BURNT IRON	<b>120 312</b>	INTERIOR GREEN

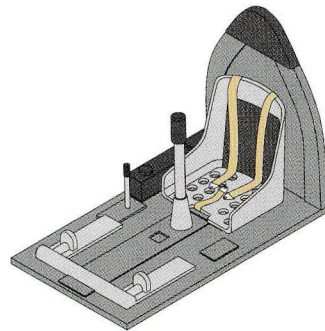
STEP 1



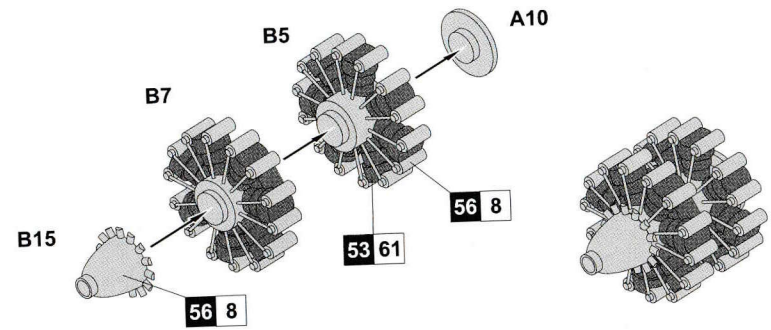
STEP 2



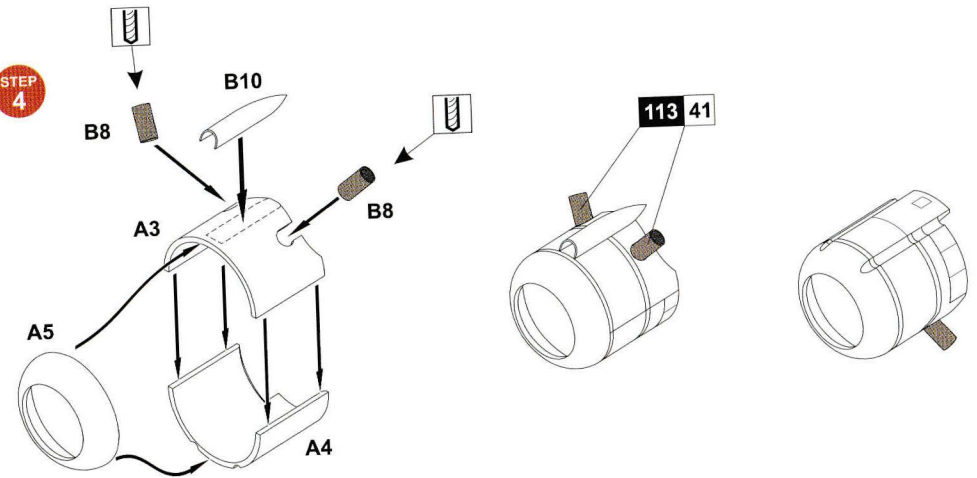
2



STEP 3

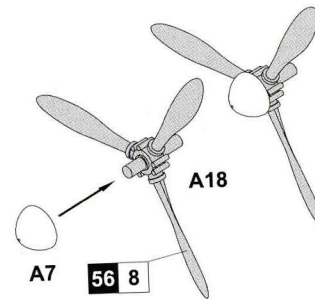


STEP 4

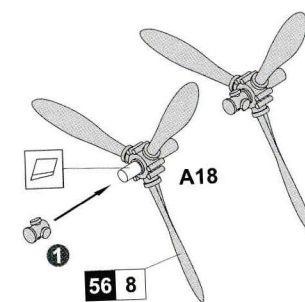


STEP 5

For camouflage scheme 1, 2, 3

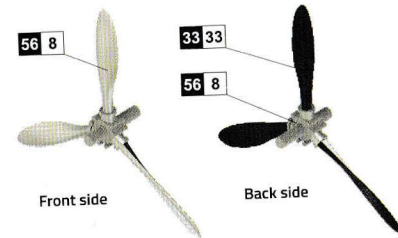


For camouflage scheme 4 only

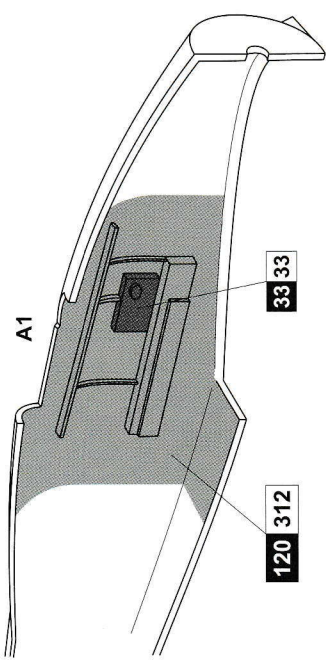


3

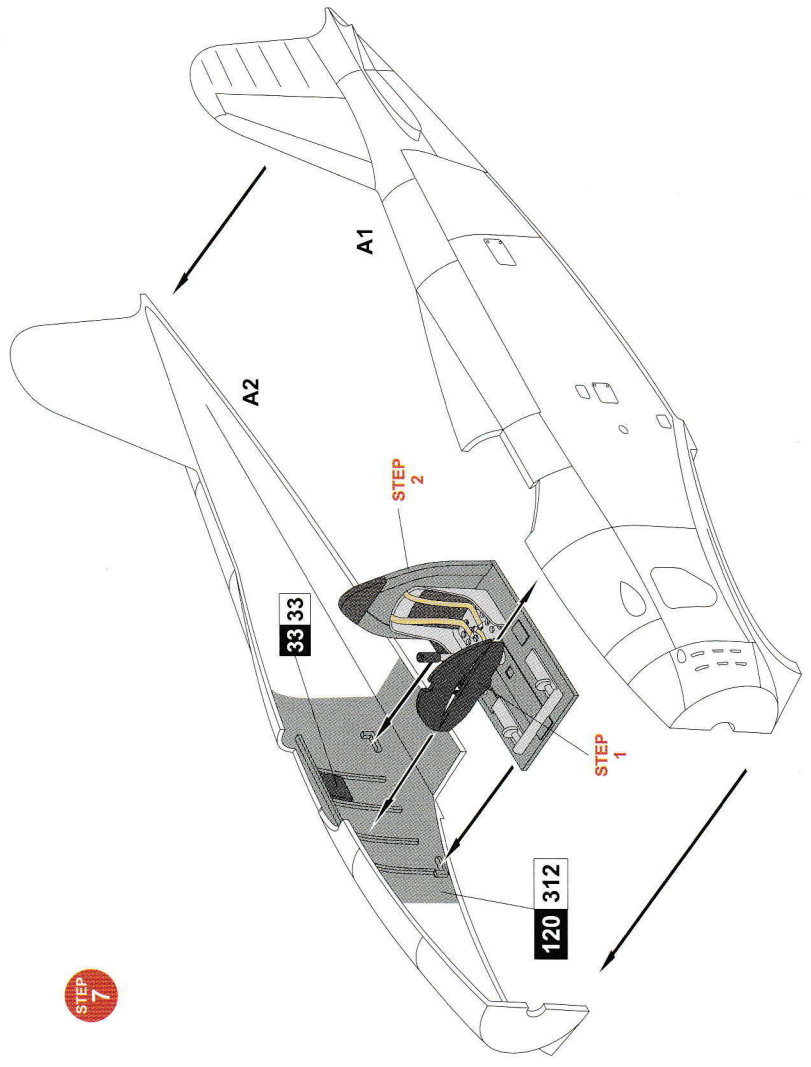
Propeller colours



STEP 6

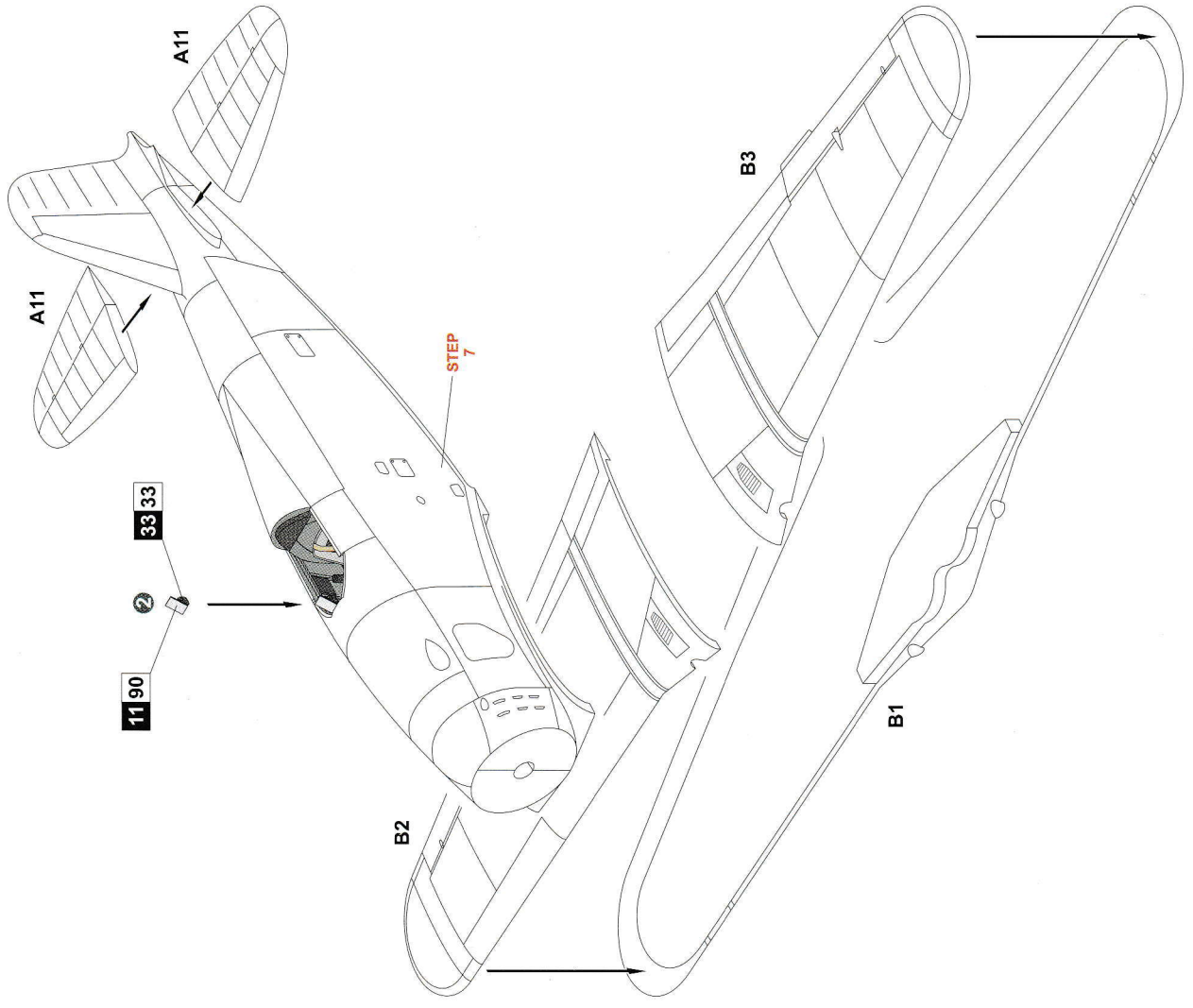


STEP 7



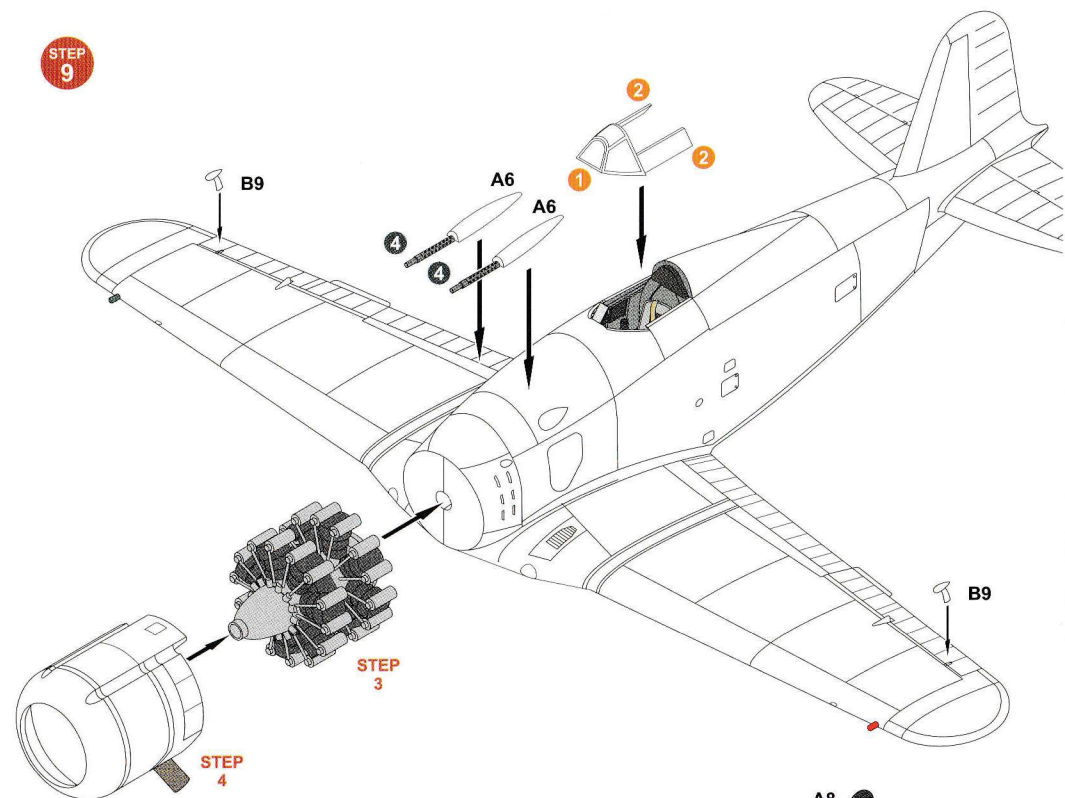
4

STEP 8

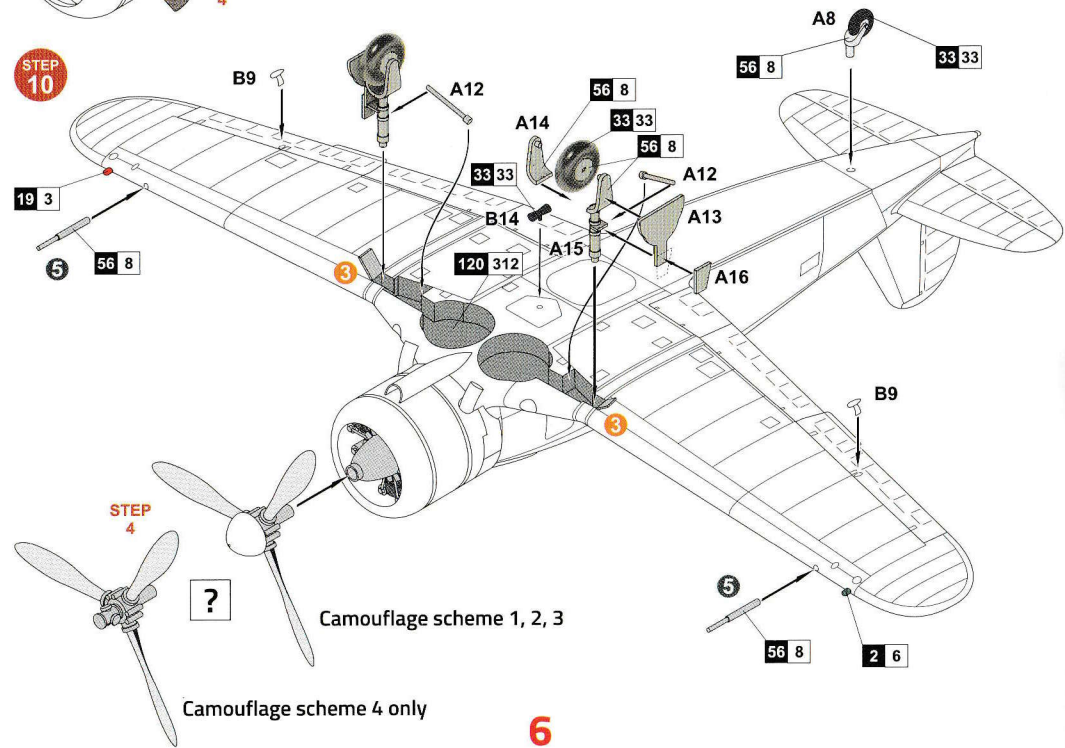


5

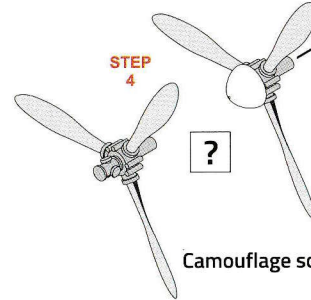
STEP 9



STEP 10



STEP 4



Camouflage scheme 1, 2, 3

Camouflage scheme 4 only

6