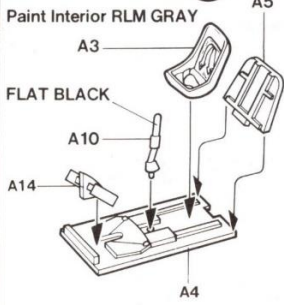
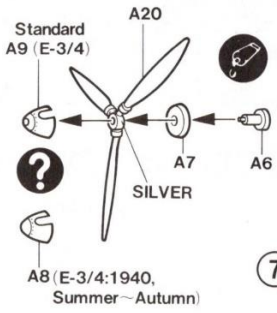


ENGLISH	FRENCH	GERMAN	SPANISH	ITALIAN
BLACK	NOIR	SCHWARZ	NEGRO	NERO
SILVER	ARGENT	SILBERN	PLATA	ARGENTO
GUNMETAL	METALLIC	METALLIC	METALICO	METALLICO
WHITE	BLANC	WEISS	BLANC	BIANCO
RED	ROUGE	ROT	ROJO	ROSSO
GREEN	VERT	GRÜN	VERDE	VERDE

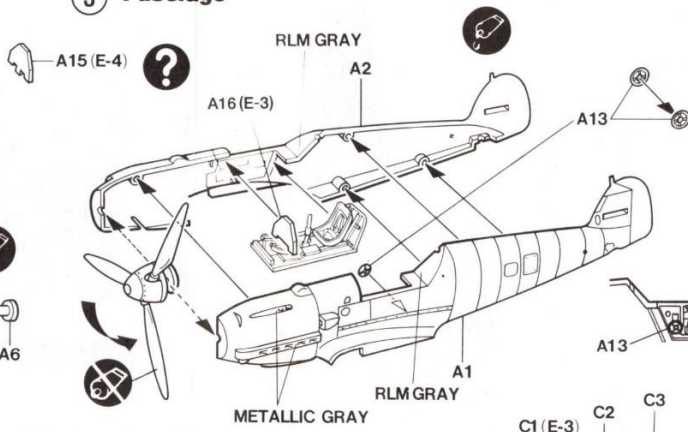
1 Cockpit



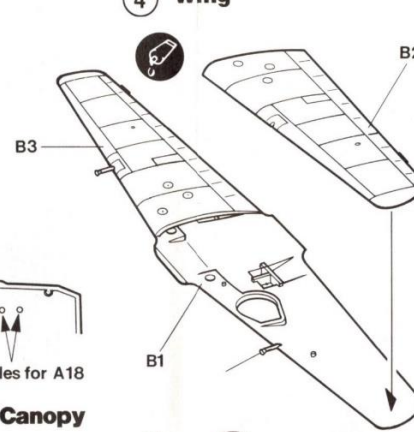
2 Propeller



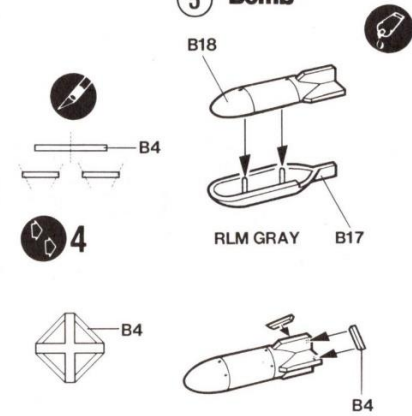
3 Fuselage



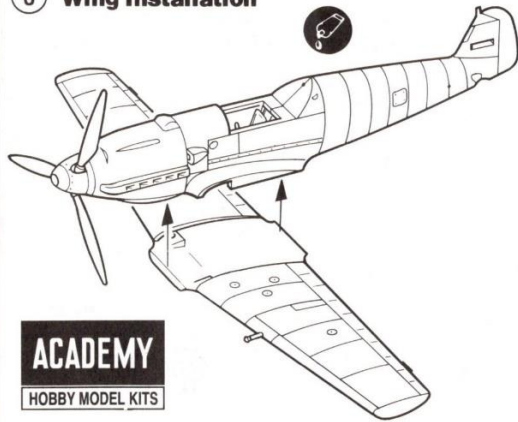
4 Wing



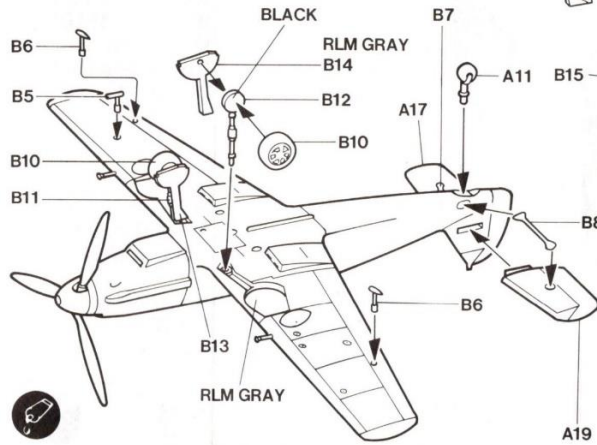
5 Bomb



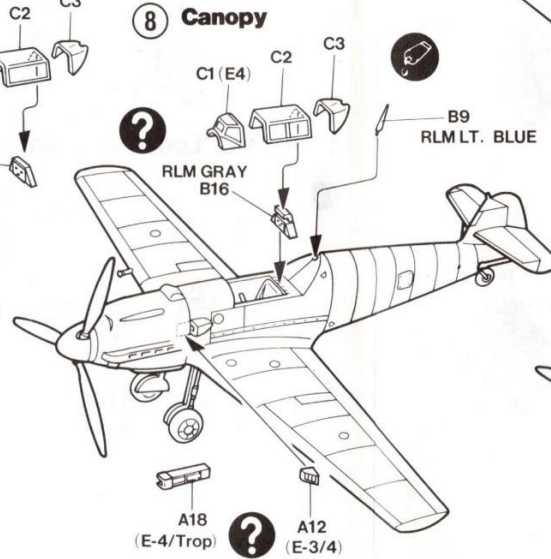
6 Wing Installation



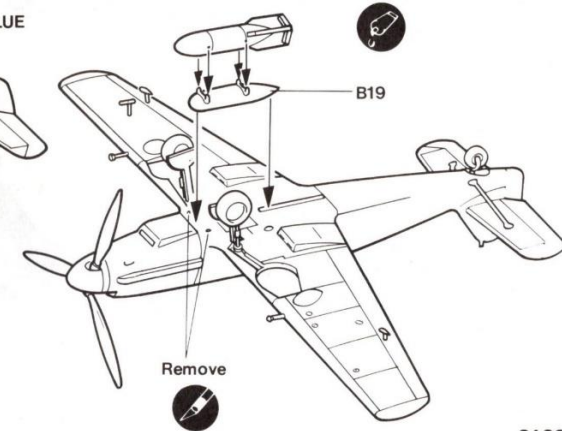
7 Lower Assembly



8 Canopy

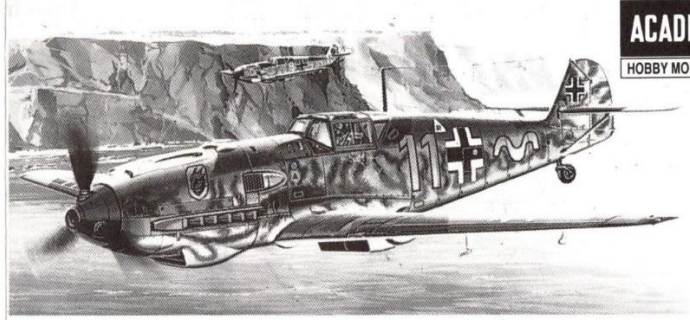


9 Final Assembly



FLAT BLACK Tires GLOSS BLACK Wheels

ACADEMY
HOBBY MODEL KITS



MESSERSCHMITT Bf-109 E-3/4

1/72 Scale

When the **Bf-109** was designed in the early '30s, it was technically far ahead of anything flying or even planned in the rest of the world! Fast, nimble and heavily armed by the standards of the time, the **Bf-109** proved its worth in the *Spanish Civil War*. By the time *World War II* erupted, the design had evolved into one of the best fighters in the world. The "E" version, commonly known as "**EMIL**" saw considerable action during the *blitzkrieg* and the *Battle of Britain*.

SPECIFICATION:

MAXIMUM SPEED:	348 mph at 14,560 feet
MAXIMUM RANGE:	410 miles at cruising speed
ARMAMENT:	2-20mm wing mounted cannon 2-7.92mm cowl mounted machine guns
WINGSPAN:	32 feet, 4.5 inches
LENGTH:	28 feet, 4.25 inches
WEIGHT:	4,189 pounds empty, 5,875 loaded

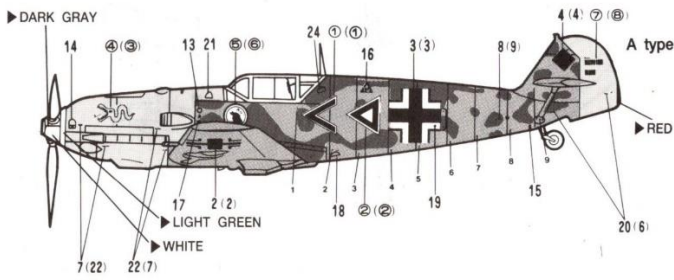
2133

	Cement Parts Coller Kleben Kleben Kleben Kleben Kleben		Do Not Cement Parts See Part Color Nicht Kleben Nicht Kleben Nicht Kleben Nicht Kleben Nicht Kleben		Cut Away Cutschen Cutschen Cutschen Cutschen Cutschen		Optional Parts Check Auswahlmöglichkeiten Einschauen Scelta Opcao Kiesze		Repeat Operation Repetieren Vorgang wiederholen Repetieren Repetieren Repetieren Herhalen
--	--	--	---	--	--	--	--	--	---

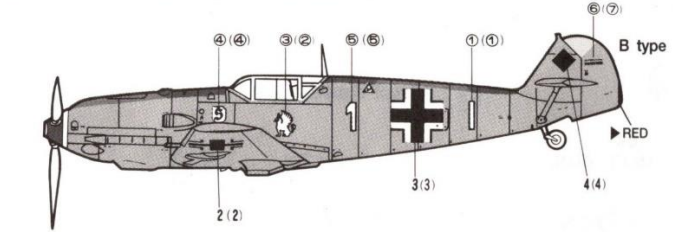
Painting and Decal Placement

() is opposite number.

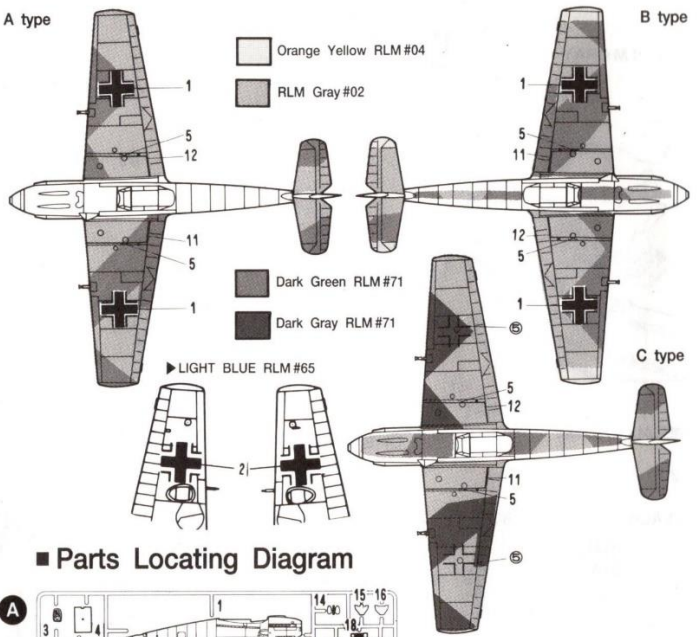
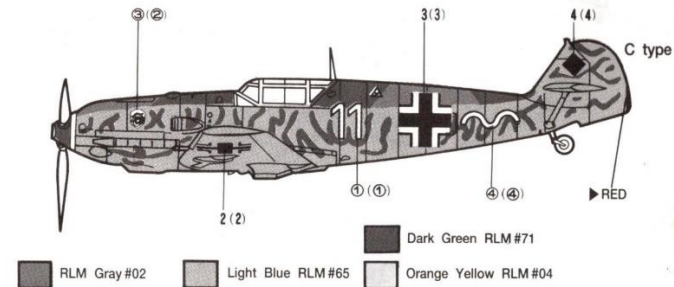
1. Bf109E-4/JG3/ 'Capt. Hans Von Hahn' 1940



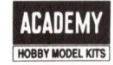
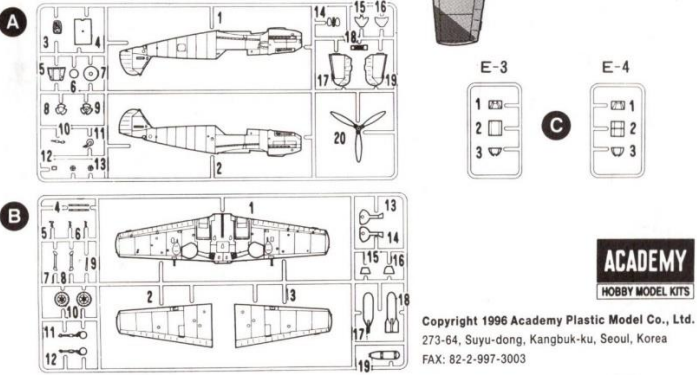
2. Bf109E-4/JG26/ 'Maj. Gerhard Schoepfel' 1940



3. Bf109E-3/JG54/ 'Lt. Waldemar Wuebke' 1941



Parts Locating Diagram



Copyright 1996 Academy Plastic Model Co., Ltd.
273-64, Suyu-dong, Kangbuk-ku, Seoul, Korea
FAX: 82-2-997-3003