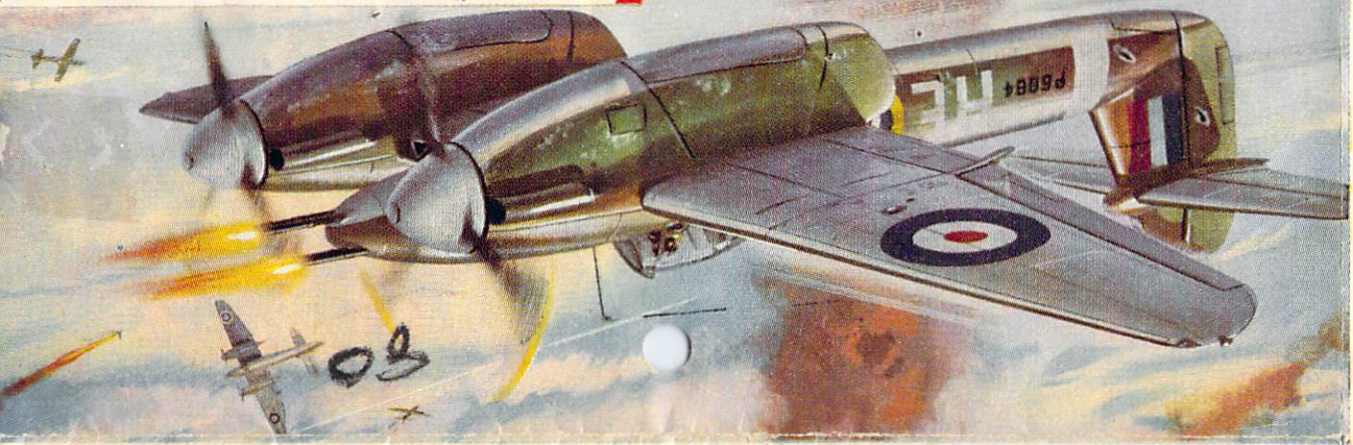


AIRFIX - 72 SCALE



WESTLAND WHIRLWIND

First flown in 1938, the Westland Whirlwind entered service with the R.A.F. in 1940, but its existence was kept secret until 1942.

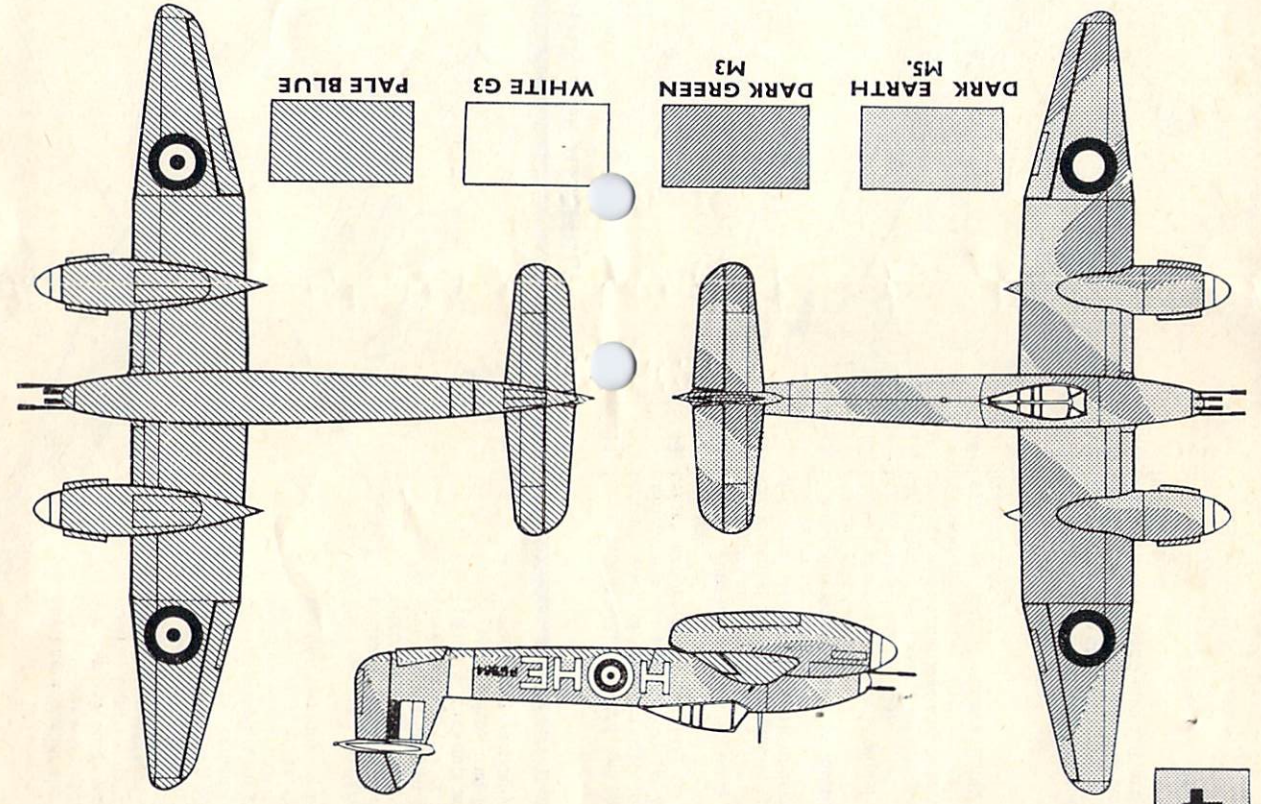
The Whirlwind was the first single seat twin engine fighter to be used in quantity during the Second World War. Because of the twin engine layout the armament, exceptionally heavy for the time, was fitted in the nose, giving concentrated fire power.

At first the Whirlwind was employed as an escort and night fighter, but its main use was later, when it was employed in attacking enemy shipping along the French coast, and transport and installations on the mainland.

The Whirlwind was powered by two 885 h.p. Rolls-Royce Peregrine engines, giving a top speed of 360 m.p.h. The wing span 45 ft. and the length 32 ft. 9 in. Armament was normally four 20 mm. cannon, although some aircraft also carried bombs.

Ask for other AIRFIX models in this series

PLEASE OPEN CAREFULLY — INSTRUCTIONS OVERLEAF



SUGGESTED COLOUR SCHEME

Apply transfers. First cut the sheet into eleven separate subjects, then dip each in warm water for a few minutes, slide transfers off backing into position as indicated on illustration. The red and blue roundels are applied above the wing and to the rear fuselage and the flashes to the fin. The squadron markings are applied to the fuselage sides; in both cases the single letter "H" being forward of the roundel. The aircraft name is applied to the transparent base.

DARK GREEN M3: Irregular stripes over **DARK EARTH M5**, to give camouflage effect. All upper surfaces.

PALE BLUE: All under surfaces.

BLACK M6: Machine guns, propeller blades, tyres.

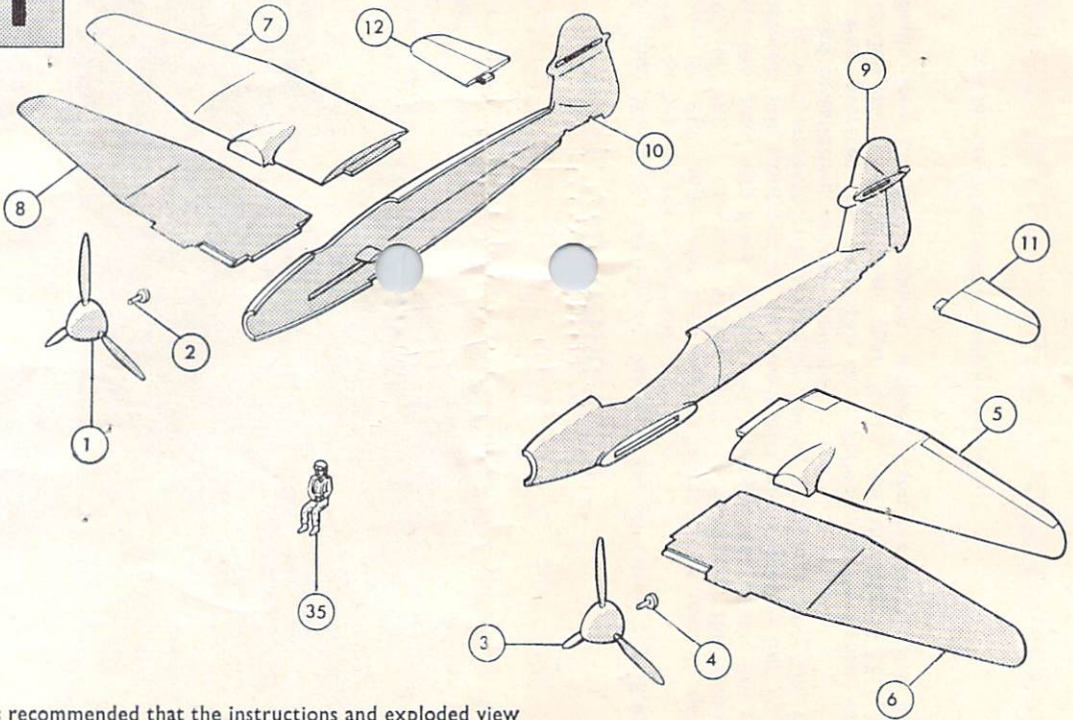
WHITE G3: Propeller spinner, 1/4 in. wide band around rear fuselage.

WESTLAND WHIRLWIND

INSTRUCTIONS

PAINT ALL DETAILS AND LET DRY BEFORE ASSEMBLING (SEE SECTION 4)
N.B. FOR PAINTING USE "AIRFIX" PAINTS, FOR FIXING USE "AIRFIX" POLYSTYRENE CEMENT

1 FUSELAGE & WING ASSEMBLY

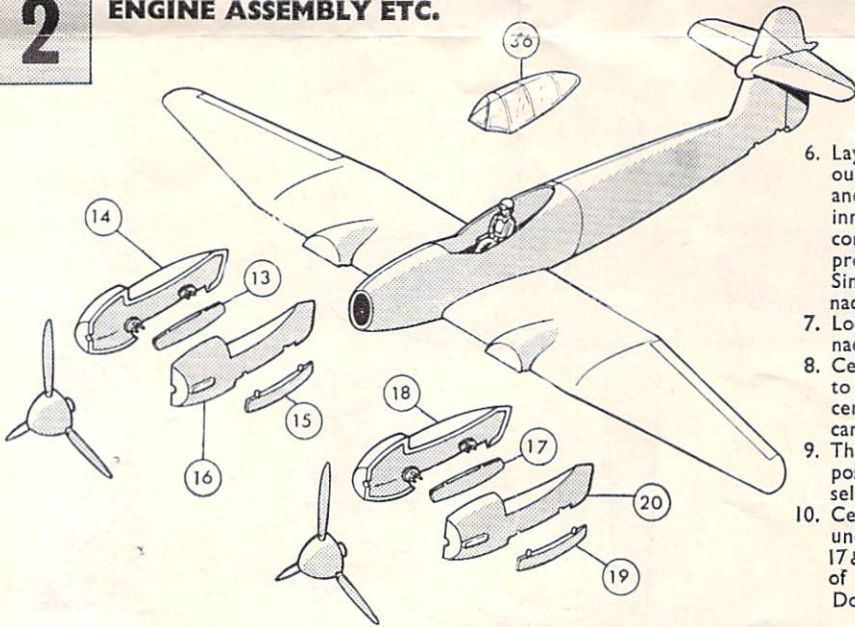


It is recommended that the instructions and exploded view are studied and assembly practised before cementing together. If it is wished to paint internal details such as pilot and cockpit interior, this is best done before assembly.

1. Cement propeller shafts (2 and 4) into propellers (1 and 3) and allow to dry.
2. Cement together upper and lower halves of port and starboard wings (5-8).

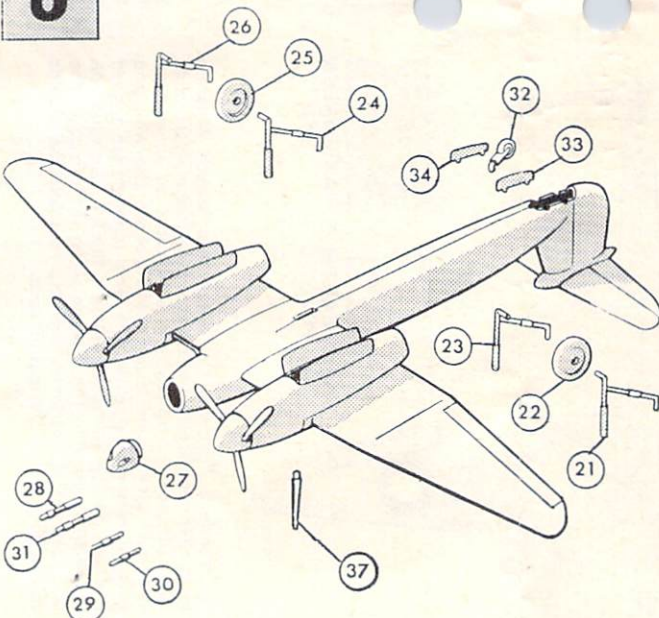
3. Cement together fuselage halves (9-10) and then cement tabs on wings into port and starboard fuselage slots.
4. Cement tabs on tailplanes (11, 12) into slots at rear of fuselage.
5. Cement pilot (35) onto location within cockpit.

2 ENGINE ASSEMBLY ETC.



6. Lay one propeller shaft in cut out in outer port nacelle half and cement outer nacelle to inner. Ensure no cement contacts propeller shaft and propeller is free to turn. Similarly assemble starboard nacelle. (14, 16, 18 & 20)
7. Locate and cement engine nacelles beneath wings.
8. Cement cockpit canopy (36) to top of fuselage, applying cement carefully to edges of canopy.
9. The required undercarriage position should now be selected. For down position,
10. Cement locating pins on main undercarriage doors (13, 15, 17 & 19) to cut-outs at bottom of appropriate nacelle halves. Doors hang vertically.

3 UNDERCARRIAGE ASSEMBLY



11. For a model with lowered undercarriage cement axles of undercarriage legs into main wheels and allow to dry (21-26).
12. Locate and cement nose (27) to end of fuselage.
13. Cement guns (28-31) into locations in nose, larger guns to bottom.
14. Apply cement to locating pins in each side of engine nacelles and push undercarriage assemblies into place.
15. Cement tail wheel (32) into locating hole beneath rear fuselage.
16. Locate and cement tail wheel doors, behind tail wheel (33, 34).
17. For a model with retracted undercarriage, omit all wheels and legs and cement doors in closed position.
18. Locate and cement radio antenna (37) in front of cockpit.

NOTE: If it is wished to paint the model it should be done at this stage.

19. Cement together both parts of stand.
20. Cement arm of stand into slot provided in fuselage.