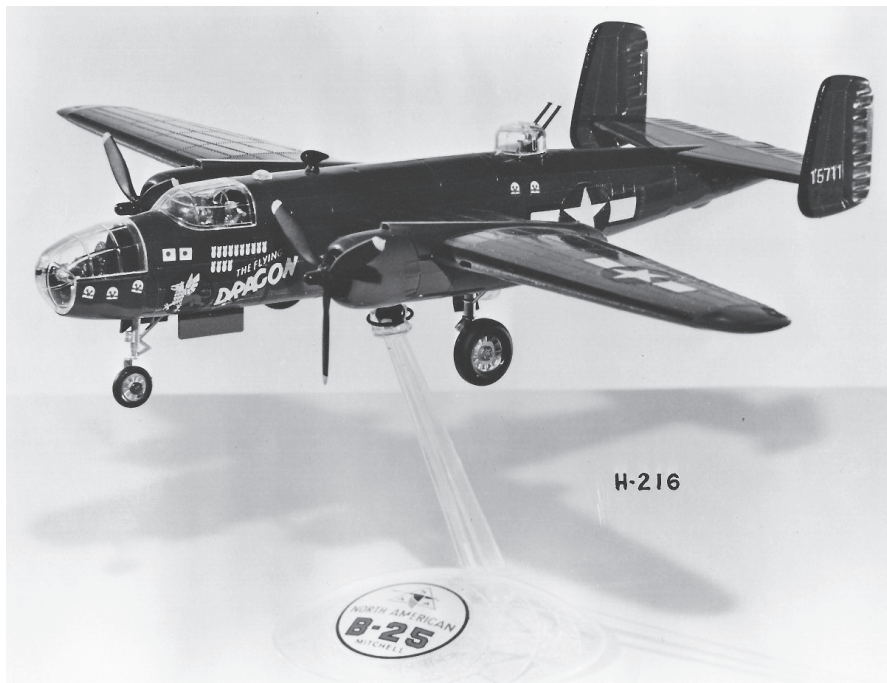




KIT H216

B-25 MITCHELL BOMBER

"Preserving the Past while Building the Future"



This paint guide is provided to complete this kit as shown on the box and the Doolittle Version.

modèle réduit qui apparaît sur la boîte. Ce guide de peinture est fourni pour reproduire le

Semi Gloss Black	Noir satiné
Flat Black	Noir mat
Zinc Chromate	Vert de zinc
Silver	Argent
Yellow	Jaune
Red	Rouge
Flat Gray	Gris mat
Tan	Havane
Flesh	Chair
Flat Brown	Brun mat

The North American Mitchell Bomber had a wingspan of 67' 7". Fuselage length was 52' 11". Normally during WWII this version of the B-25 carried four .50 cal. machine guns in two revolving turrets and one in the nose. The Aircraft flown in the famous Doolittle raid had their lower turret removed. General James Doolittle led a squadron of 25 Mitchells on the first devastating raid on Tokyo from the USS Hornet Aircraft Carrier on April 18th, 1942. This kit can be built for the standard Flying Dragon B-25 or the Doolittle Raider Version.

DECAL APPLICATION INSTRUCTIONS

1. Cut desired decal from sheet.
2. Dip decal in water for a few seconds.
3. Place wet decal on paper towel.
4. Wait until decal is movable on paper backing.
5. Place decal in position on model, face up and slide backing away.
6. Press out air bubbles with a soft damp cloth.
7. Milkyness that may appear is for better decal adhesion and will dry clear. Wipe away any excess adhesive.
8. Do not touch decal until fully dry.
9. Allow the decals 48 hours to dry before applying clear coat.

NOTE: Decals are compatible with setting solutions or solvents.

READ THIS BEFORE YOU BEGIN

- * Study the assembly drawings.
- * Each plastic part is identified by a number.
- * In the assembly drawings, some parts will be marked by a star ★ to indicate chrome plated plastic.
- * For better paint and decal adhesion, wash the plastic parts in a mild detergent solution. Rinse and let air dry.
- * Check the fit of each piece before cementing in place.
- * Use only cement for polystyrene plastic.
- * Scrape plating and paint from areas to be cemented.
- * Allow paint to dry thoroughly before handling parts.
- * Any unused parts may be discarded.

LISEZ CECI AVANT DE COMMENCER

- * Étudiez les plans d'assemblage.
- * Chaque pièce de plastique est identifiée par un numéro.
- * Dans les plans d'assemblage, certaines pièces seront marquées d'une étoile ★ pour indiquer des pièces en plastique plaquées chrome.
- * Pour une meilleure adhésion de la peinture et de la décalcomanie, lavez les pièces en plastique dans une solution de détergent doux. Rincez et laissez sécher à l'air.
- * Vérifiez l'ajustement de chaque pièce avant de la coller en place.
- * Utilisez uniquement de la colle pour plastique au polystyrène.
- * Grattez toute peinture et le placage sur les régions à coller.
- * Laissez sécher la peinture complètement avant de manipuler des pièces.
- * Toute pièce non-utilisée peut être jetée.

LEA ESTO ANTES DE EMPEZAR

- * Estudie los dibujos de ensamblaje.
- * Cada parte plástica está identificada con un número.
- * En los dibujos de ensamblaje, algunas partes aparecerán marcadas con una estrella ★ para indicar plástico enchapado en cromo.
- * Para mejor adhesión de pintura y calcomanías, lave las partes plásticas en una solución de detergente suave. Enjuague y deje secar al aire.
- * Verifique el encastrado de cada pieza antes de cementar en su lugar.
- * Use sólo cemento para plástico de poliestireno.
- * Raspe las placas y la pintura de las áreas a cementar.
- * Deje secar la pintura totalmente antes de manipular las partes.
- * Cualesquiera partes sin usar se pueden descartar.



* REPEAT SEVERAL TIMES
* A REPETER PLUSIEURS FOIS



* APPLY DECALS
* APPLIQUEZ LES AUTO-COLLANTS



* OPTIONAL PARTS
* PIÈCES EN OPTION



* ALTERNATIVE ASSEMBLY
* ENSEMBLAGE ALTERNATIVE

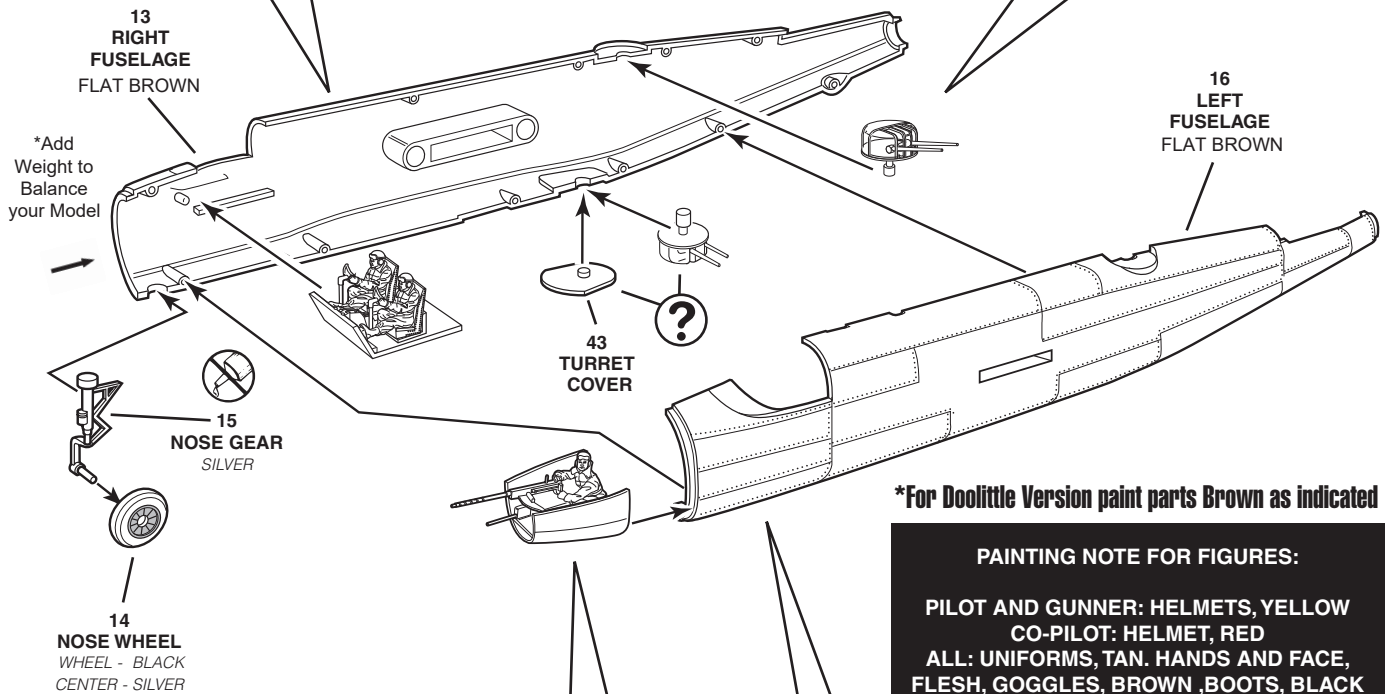
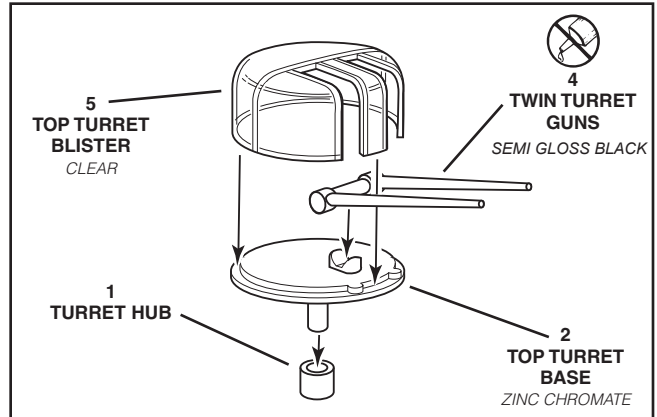
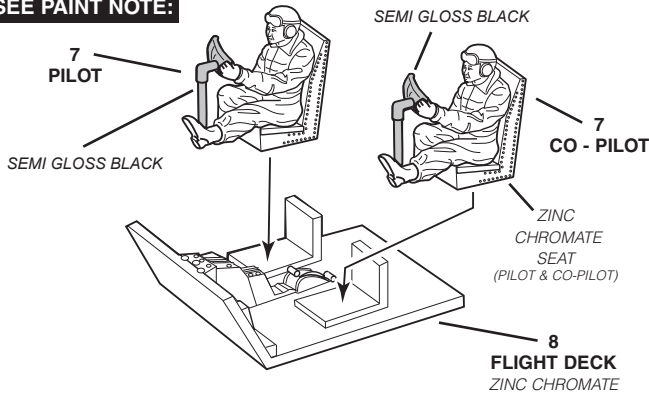


* REMOVE AND THROW AWAY
* A RETIRER ET JETER

1

DECK / TURRETS / GUNNER ASSEMBLY

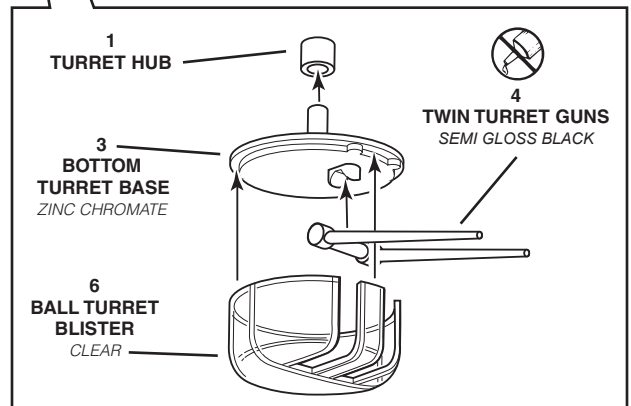
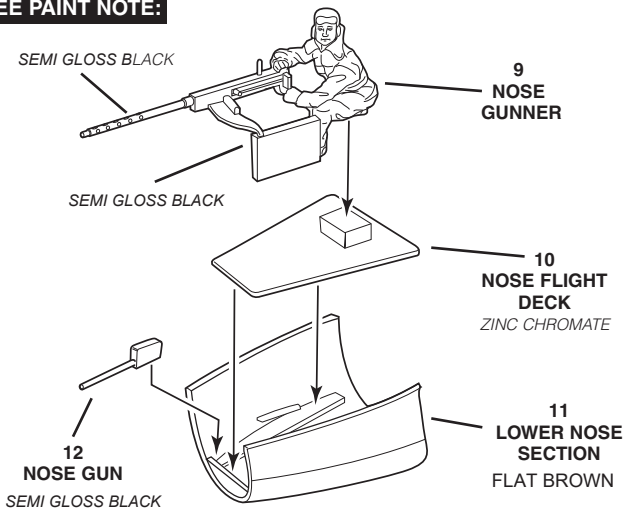
SEE PAINT NOTE:



PAINTING NOTE FOR FIGURES:

PILOT AND GUNNER: HELMETS, YELLOW
CO-PILOT: HELMET, RED
ALL: UNIFORMS, TAN. HANDS AND FACE,
FLESH, GOGGLES, BROWN, BOOTS, BLACK

SEE PAINT NOTE:

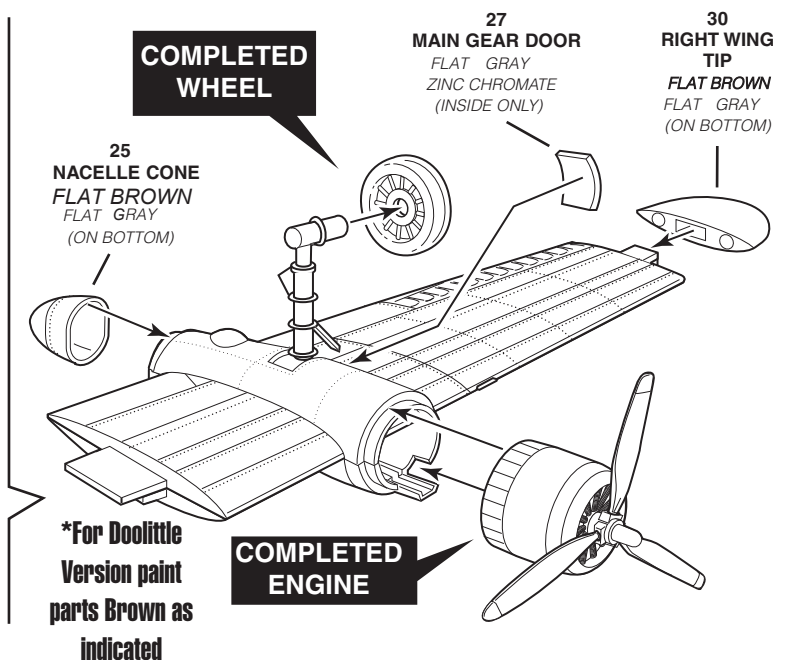
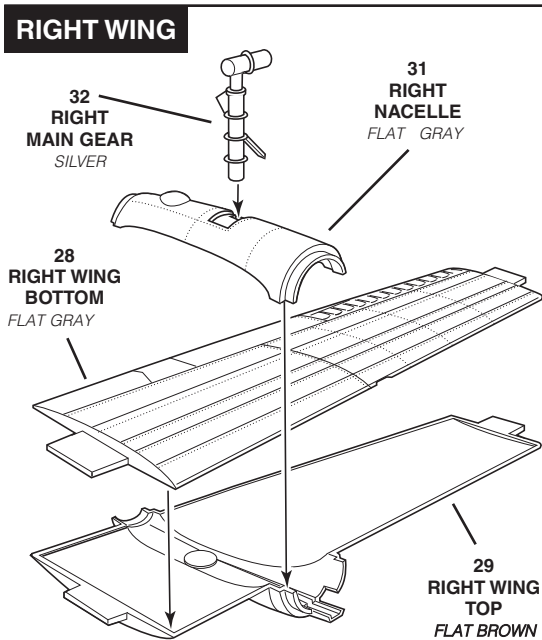
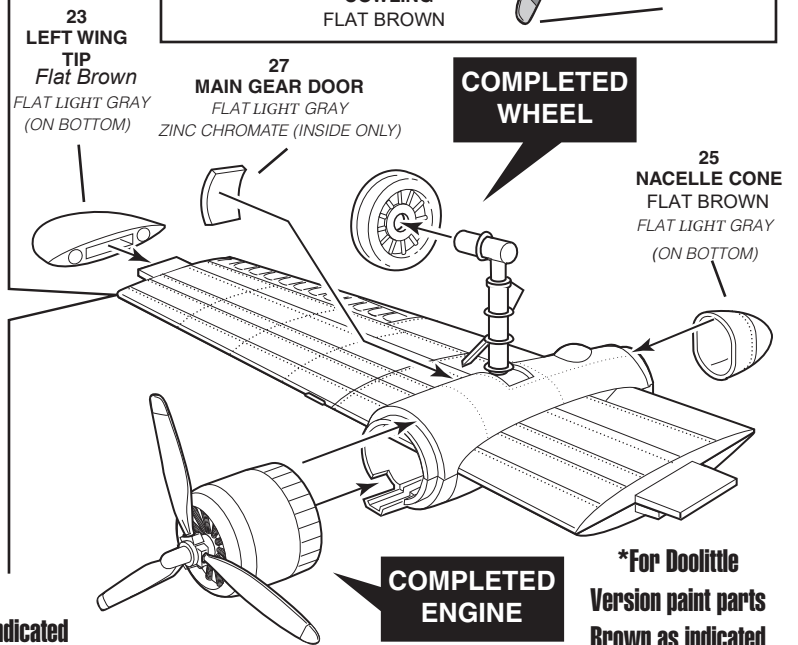
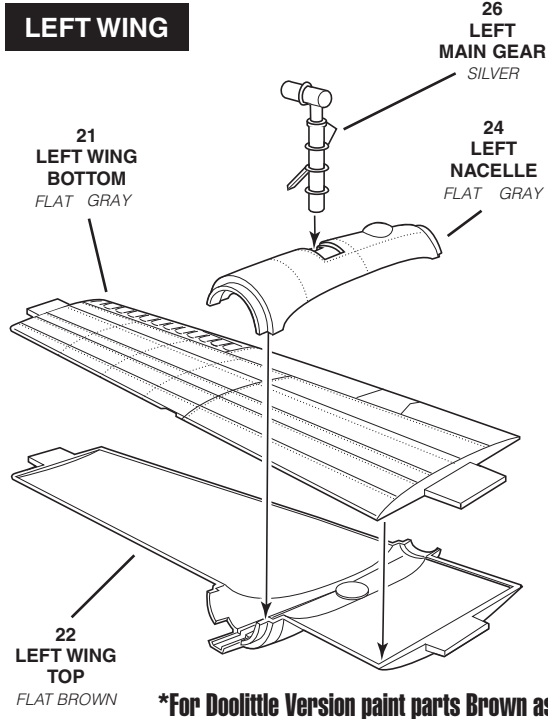
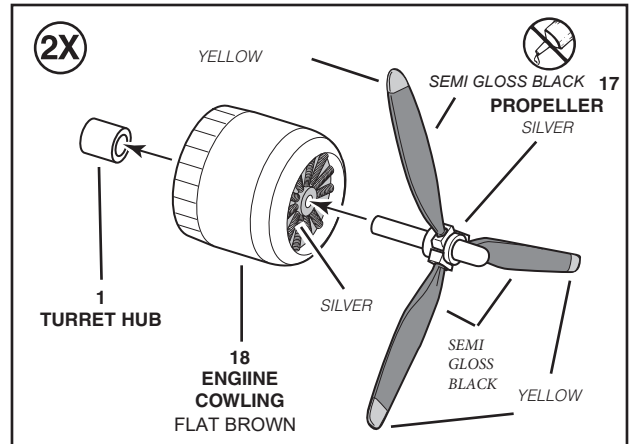
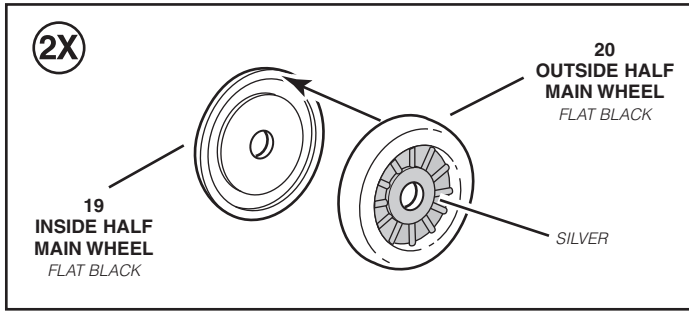


NOTE:

IF YOU WISH TO OUTFIT YOUR MODEL FOR CARRIER OPERATIONS - AS THE PLANES FLOWN ON DOOLITTLE'S RAID - OMIT INSTALLATION OF LOWER TURRET ASSEMBLY AND CEMENT PART 43 INTO POSITION AS SHOWN ABOVE

2

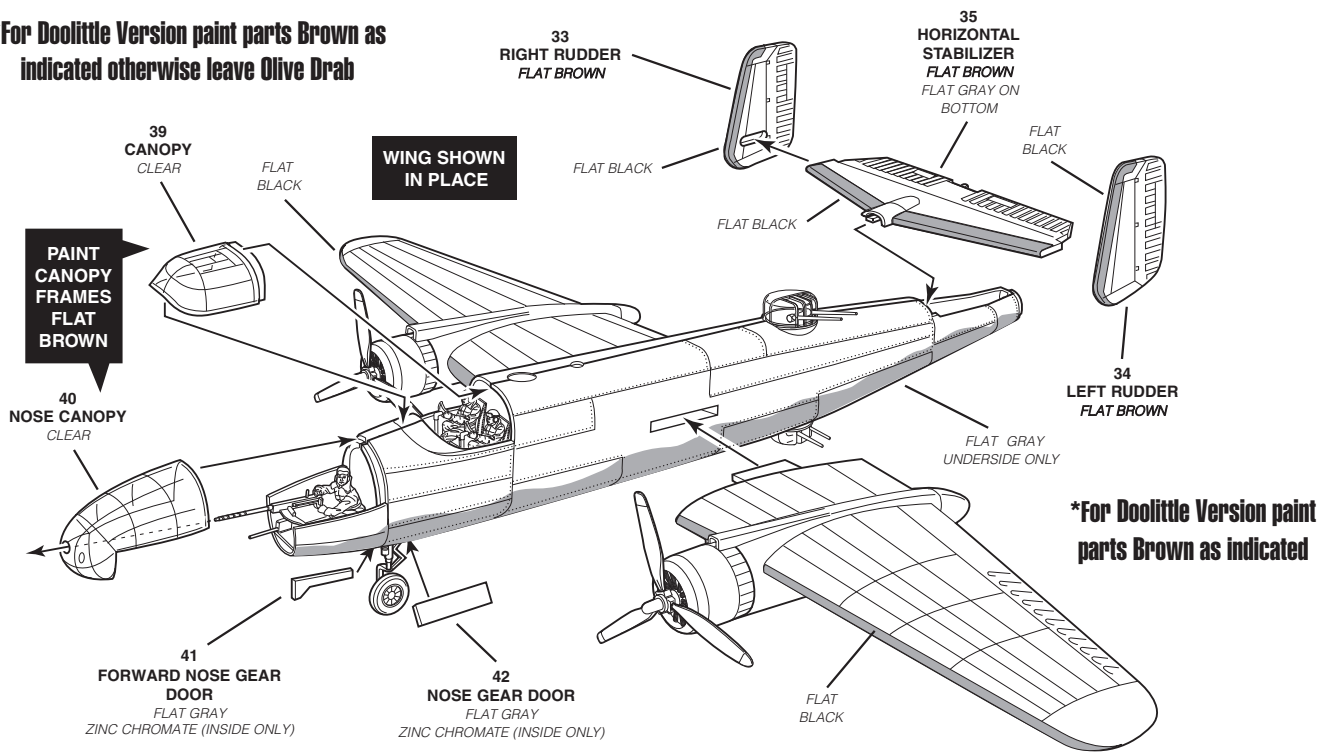
WHEEL / PROPELLER / WING Assembly



3

WING / TAIL / CANOPY ASSEMBLY

***For Doolittle Version paint parts Brown as indicated otherwise leave Olive Drab**



4

DECAL / FINAL ASSEMBLY

