

Plastic model

scale : 1/72

The Mikoyan-Gurevich MIG-17 (Russian: [мѝг] [ѝ] [ѝд] [ѝѝ] + [ѝ] [-17] (NATO reporting name: Fresco) (China: Shenyang J-5) (Poland: PZL-Mielec Lim-6[1]) is a high-subsonic fighter aircraft produced in the USSR from 1952 and operated by numerous air forces in many variants. The MIG-17 cannot carry air-to-air missiles, and is mostly used for ground attack, but can shoot down enemy aircraft with its numerous cannons.

The first prototype, designated 'S1' by the construction bureau, was flown on the 14 January 1950, piloted by Ivan Ivashchenko. Serial production started in August 1951. During production, the aircraft was improved and modified several times.

The basic MIG-17 was a general-purpose day fighter, armed with three cannons. It could also act as a fighter-bomber, but its bombload was considered light relative to other aircraft of the time, and it usually carried additional fuel tanks instead of bombs.

Day-fighter variants (MIG-17, MIG-17F) were armed with two 23 mm NR-23 cannons (80 rpg) and one 37 mm N-37 cannon (40 rounds), which were mounted on a common bed under the central air intake. The gun bed could be easily wound down for maintenance. On radar-equipped variants (MIG-17R, MIG-17RF), the 37 mm N-37 was replaced with a third 23 mm NR-23 (carrying 100 rpg) to compensate for the weight off of the radar. All variants could carry 100 kg (220 lb) bombs on two underwing pylons and some could carry 250 kg (551 lb) bombs; however, these pylons were usually used for 400 l (106 US gal) fuel tanks. The MIG-17R was armed with two 23 mm cannons. Most MIG-17s in third world service today fly as ground attack or trainer aircraft.

**Crew:** One

Length: 11.36 m (37 ft 3 in)

Wingspan: 9.63 m (31 ft 7 in)

Height: 3.80 m (12 ft 6 in)

Wing area: 22.6 m<sup>2</sup> (243.2 ft<sup>2</sup>)

Empty weight: 3,930 kg (8,646 lb)

Loaded weight: 5,354 kg (11,803 lb)

• Max takeoff weight: 6,266 kg (13,858 lb)

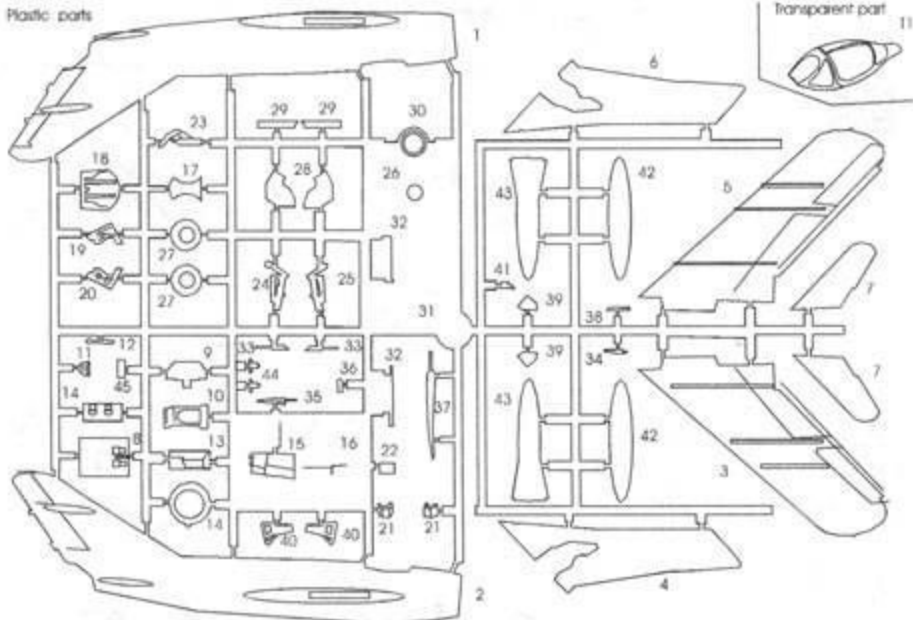
• Powerplant: 1 × Klimov VK-1F afterburning turbojet, 33.1 kN with afterburner (7,440 lbf)

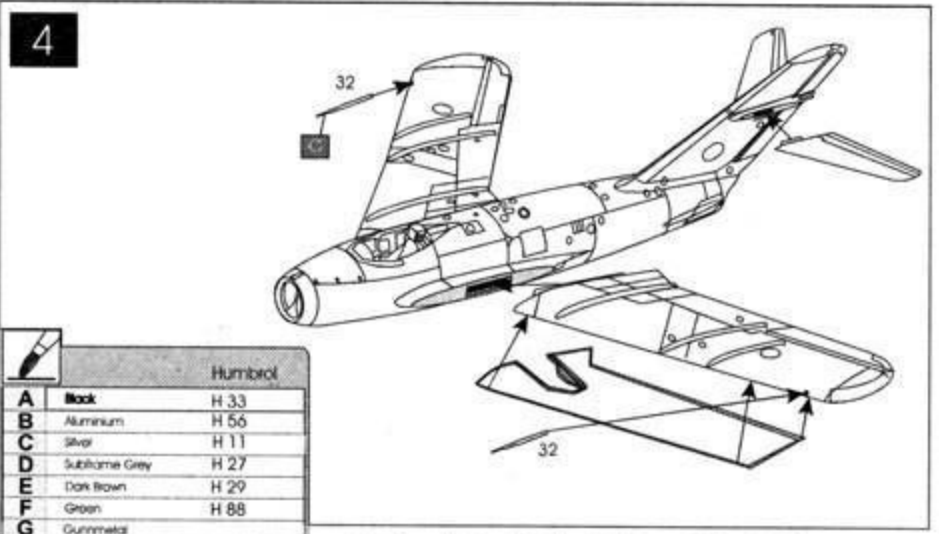
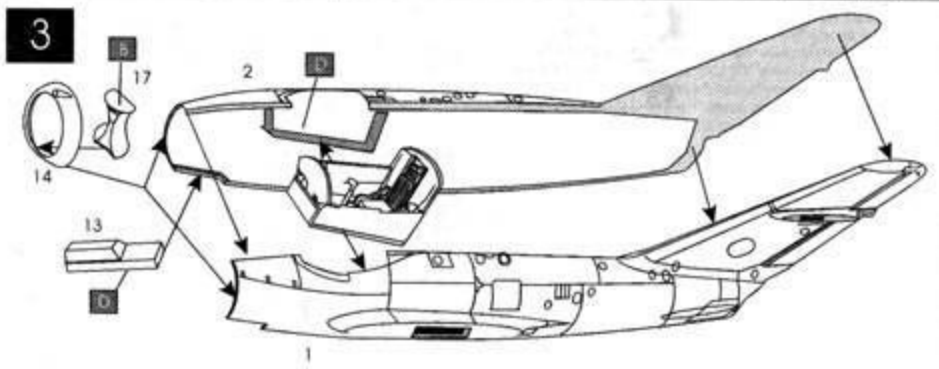
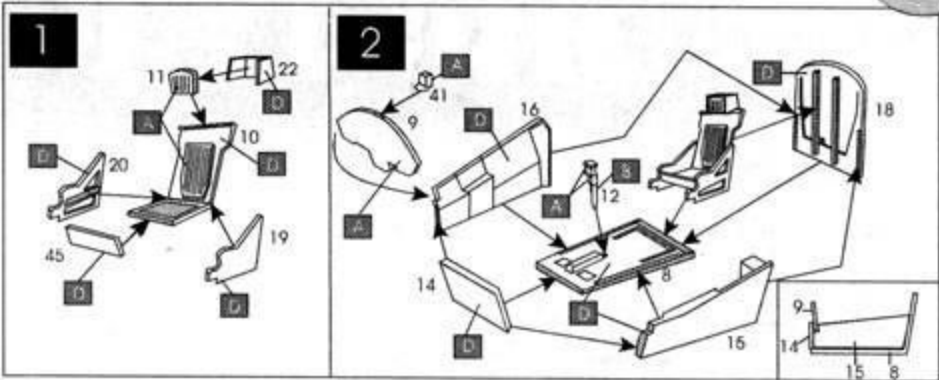
• Maximum speed: 1,144 km/h at 3,000 m (711 mph at 10,000 ft (3,000 mi))

• Range: 1,080 km, 1,670 km with drop tanks (670 mi / 1,035 mi)

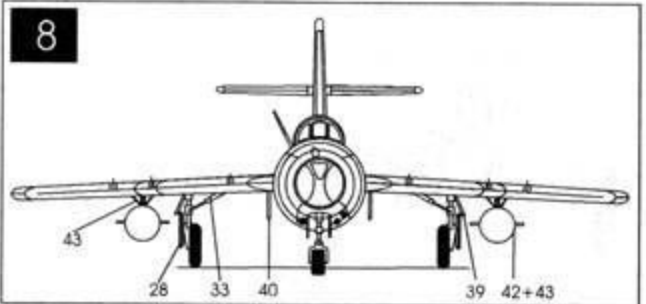
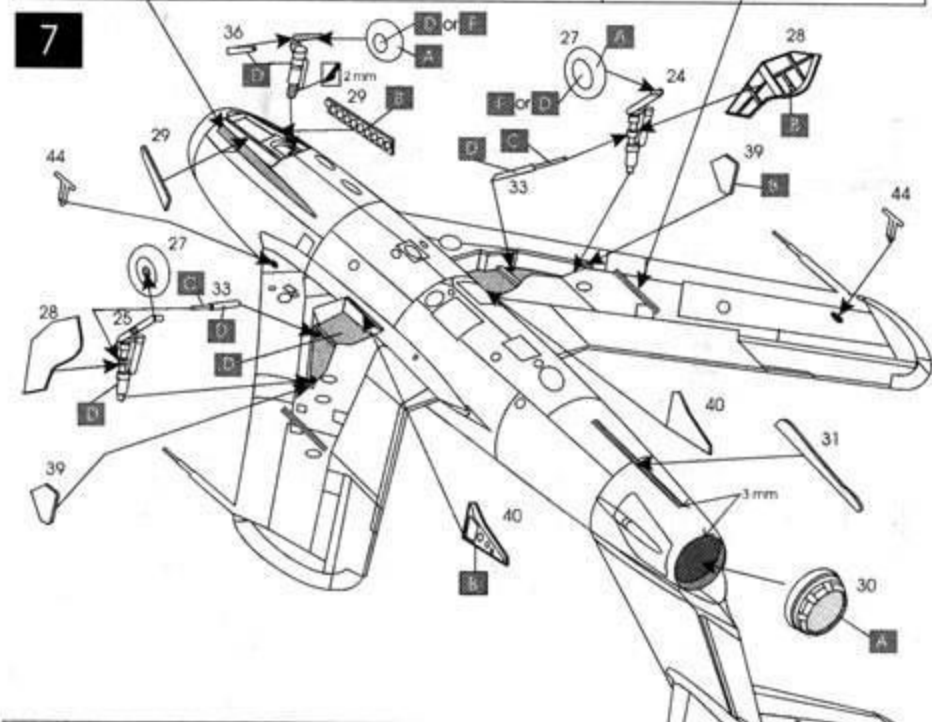
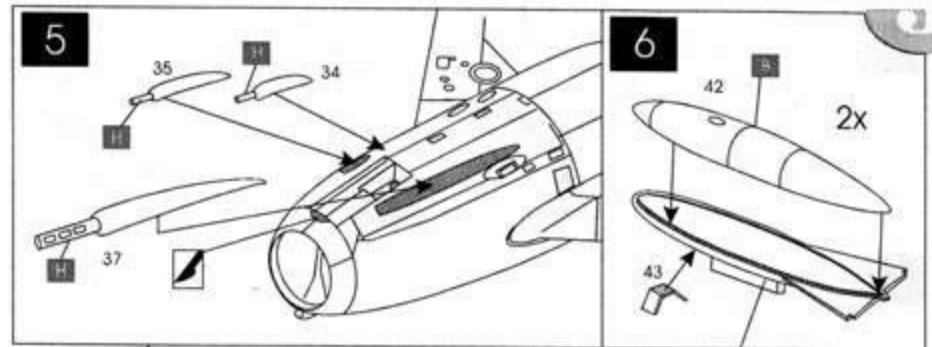
• Service ceiling: 16,600 m (54,500 ft)

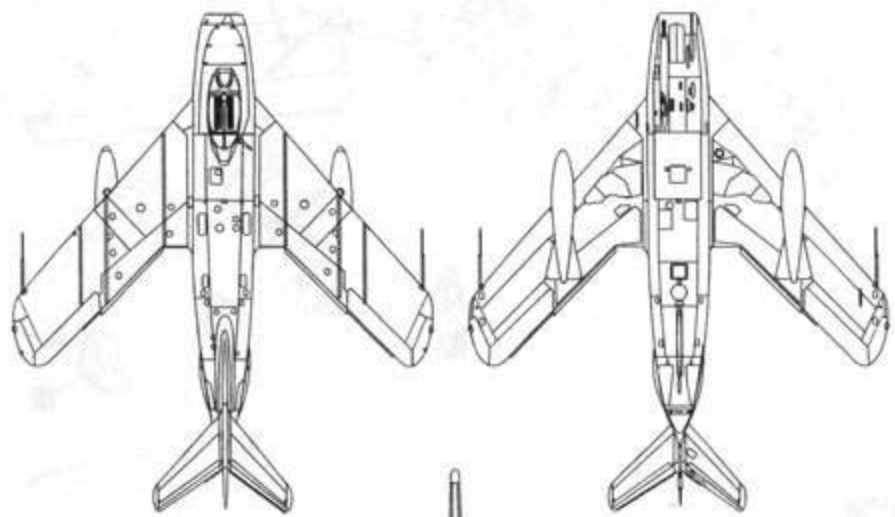
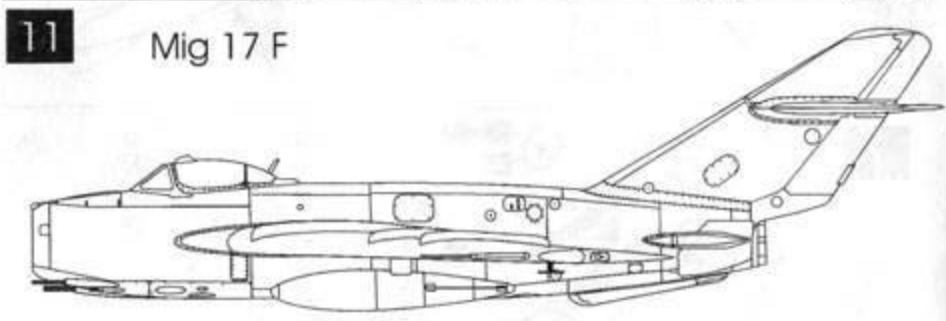
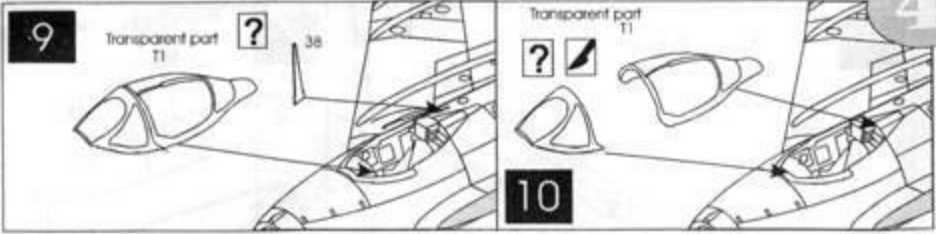
Plastic parts





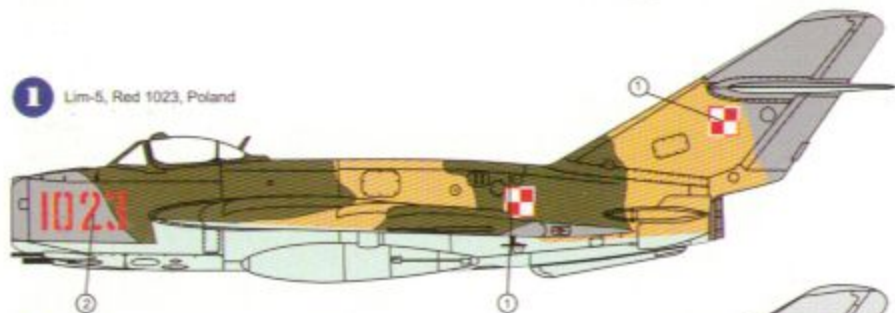
Humbrol		
A	Black	H 33
B	Aluminum	H 56
C	Silver	H 11
D	Sublime Grey	H 27
E	Dark Brown	H 29
F	Green	H 88
G	Gunmetal	
H		





# Mig-17F/Lim-5

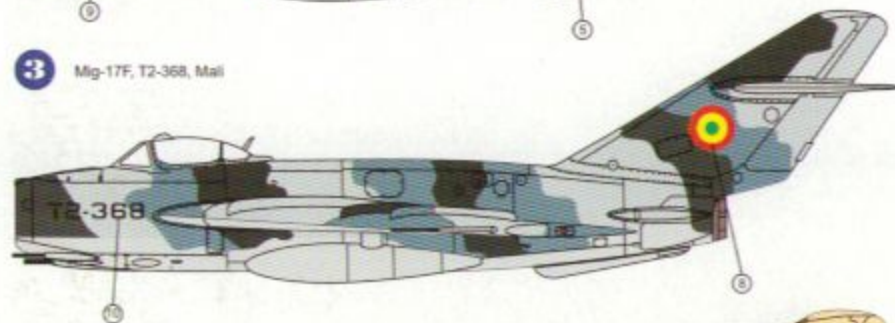
1 Lim-5, Red 1023, Poland



2 Mig-17F, Red 232, Cuba



3 Mig-17F, T2-368, Mali



4 Mig-17F, C24, Angola

