



Bandai

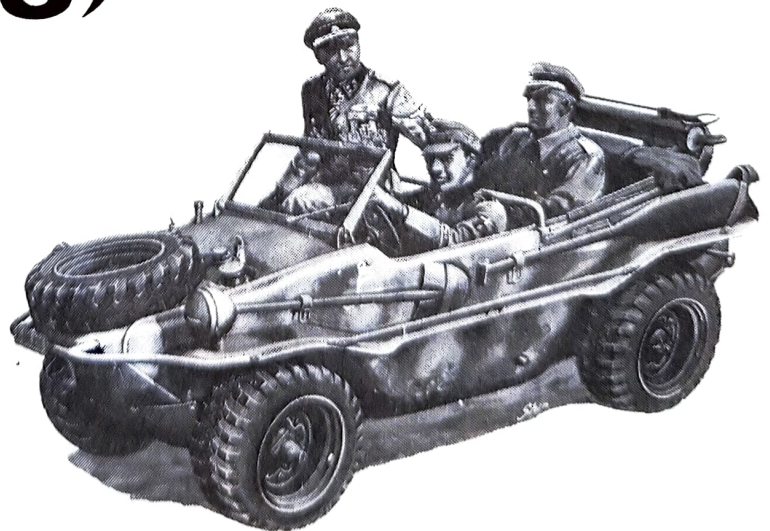


1/48 SCALE WWII GERMAN PANZERTRUPPE SERIES NO.11

SCHWIMMWAGEN (Type K2s)

The special features of the kit

1. This is an accurate 1/48 scale model of the Schwimmwagen.
 2. This is the first mini model series that has detailed interior with engine cockpit.
 3. Complete instructions are enclosed for assembling the model kit. Also included in the historical summary on this vehicle.
- It is well known in the world that this Schwimmwagen was used for scouting and communication by the German Army, and acted great part for military action. Schwimm means a Swimming in German.



PIN POINT SERIES

MANUFACTURED
BY

BANDAI MOKEI CORPORATION

305 NISHIKUBO
SHIMIZU CITY
SHIZUOKAKEN JAPAN.

PRINTED IN JAPAN

Instructions for Assembly

- ★ Study carefully the assembly guide thoroughly before assembling the kit.
- ★ You can enjoy the big scale power with this handy mini-scale kit.
- ★ Paint each part.

Parts List

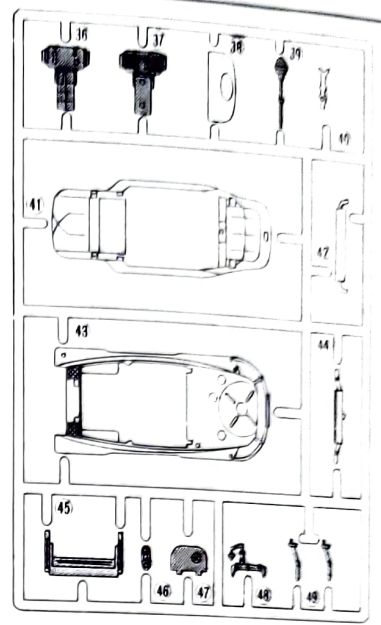
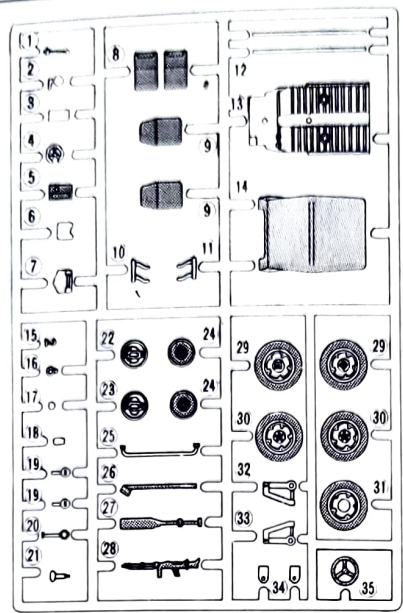
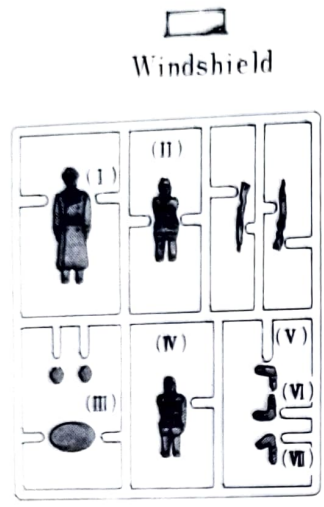
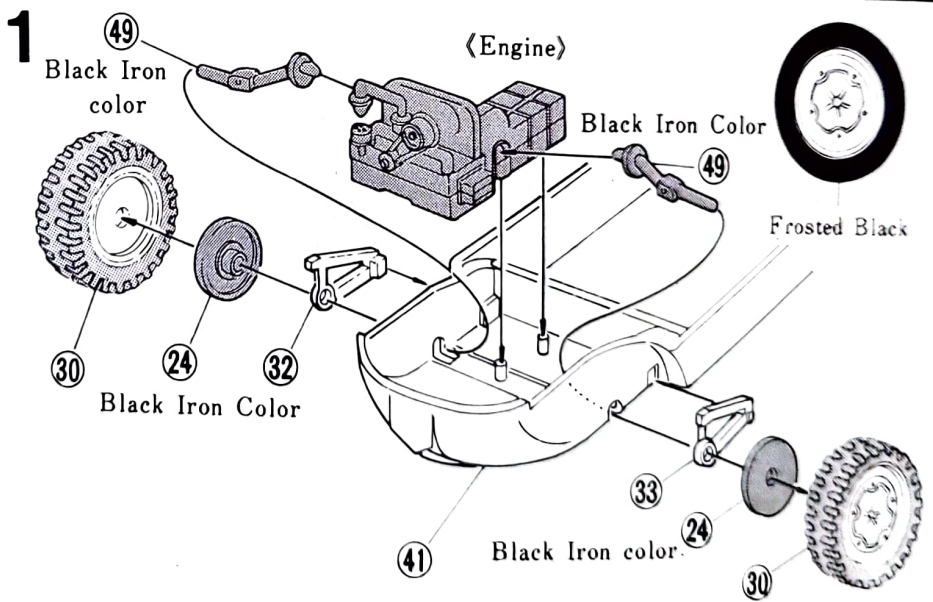
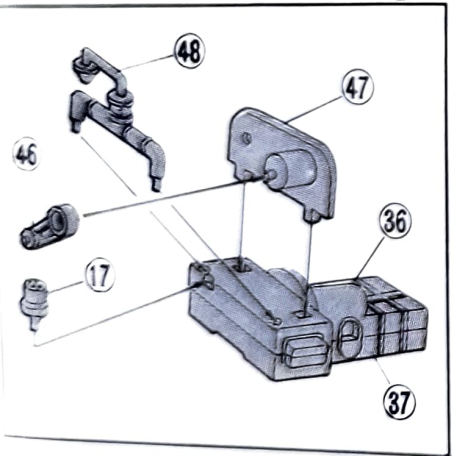


Illustration 1: Engine and Rear Wheel Fixing



- ★ Paint each parts.
- Black Iron Color ----- 36 37 48
- Frosted Black ----- 17 46 47
- ★ Fix the engine as illustrated below.

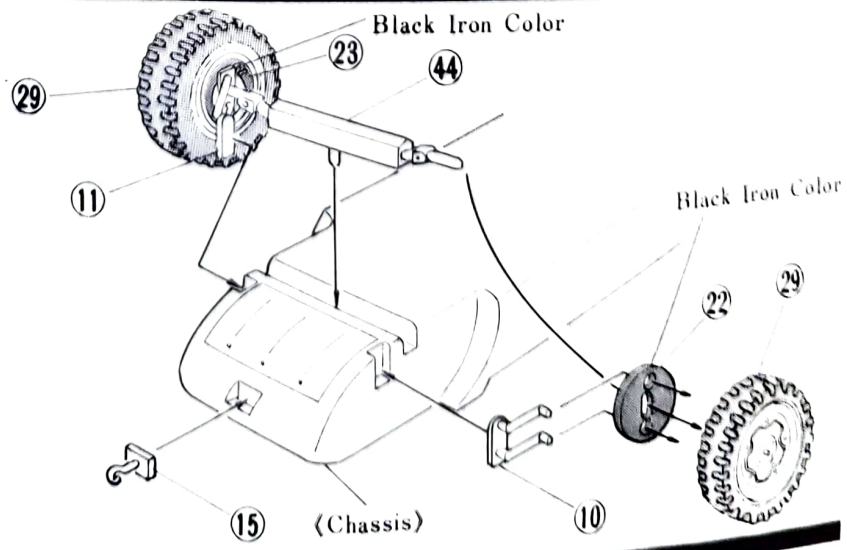
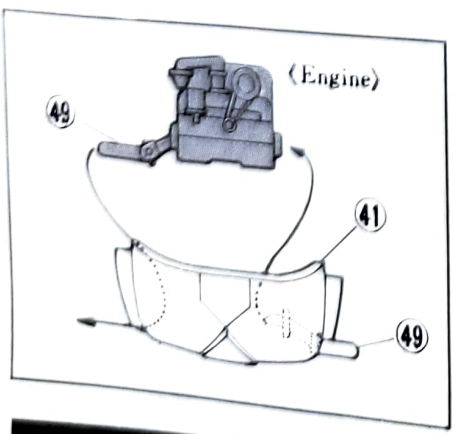


Illustration 2:
Floor Assembly

- ★ Cement each parts as illustrated.
- ★ Paint the seat (9) frosted burnt umber.



2

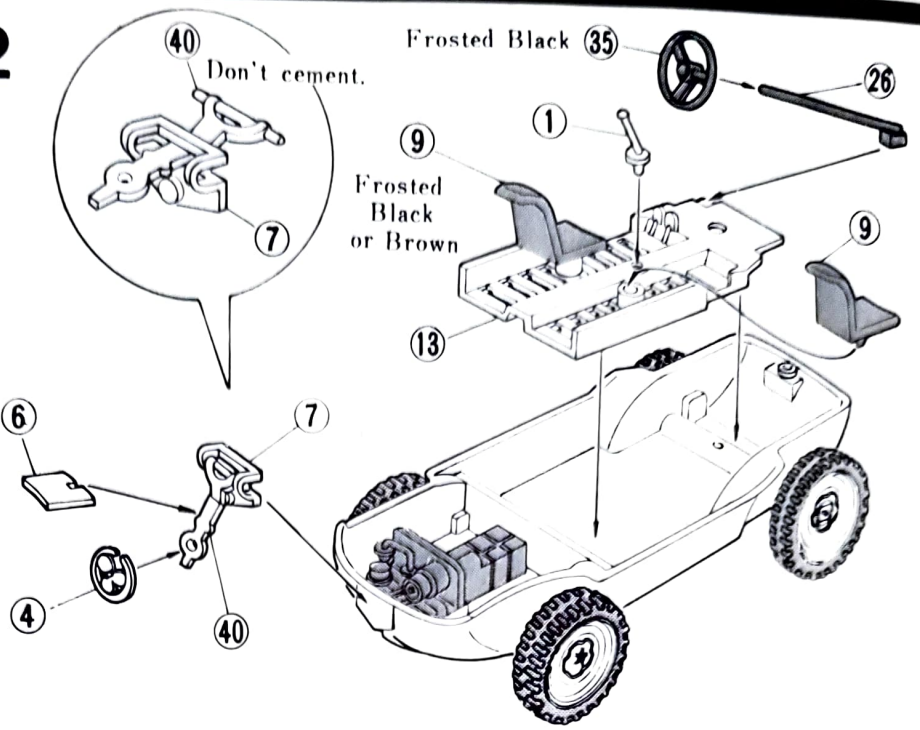
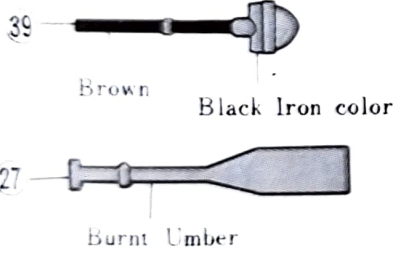


Illustration 3:
Body Assembly (A)

- ★ Fix each part to the body.
- ★ Cement the windshield to (34).



3

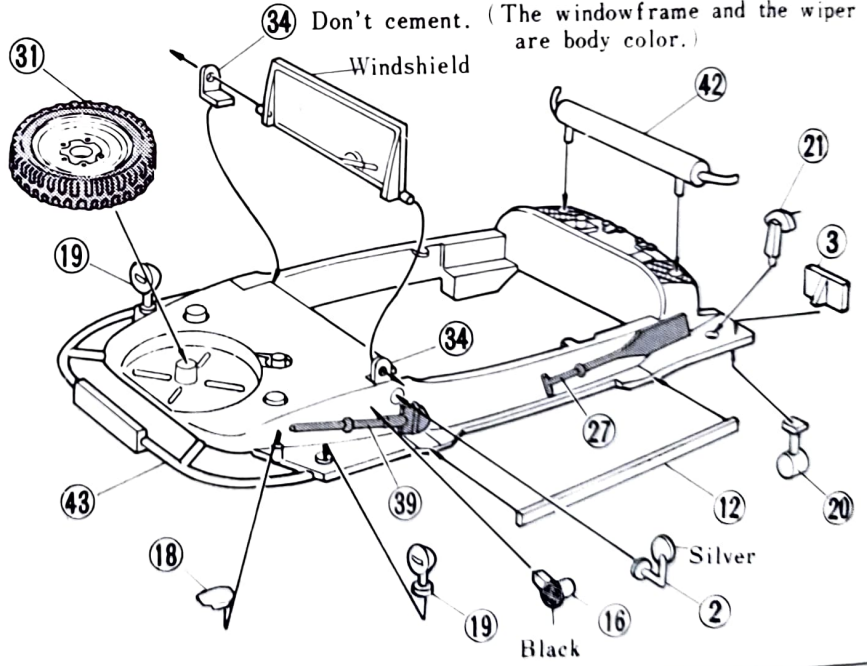
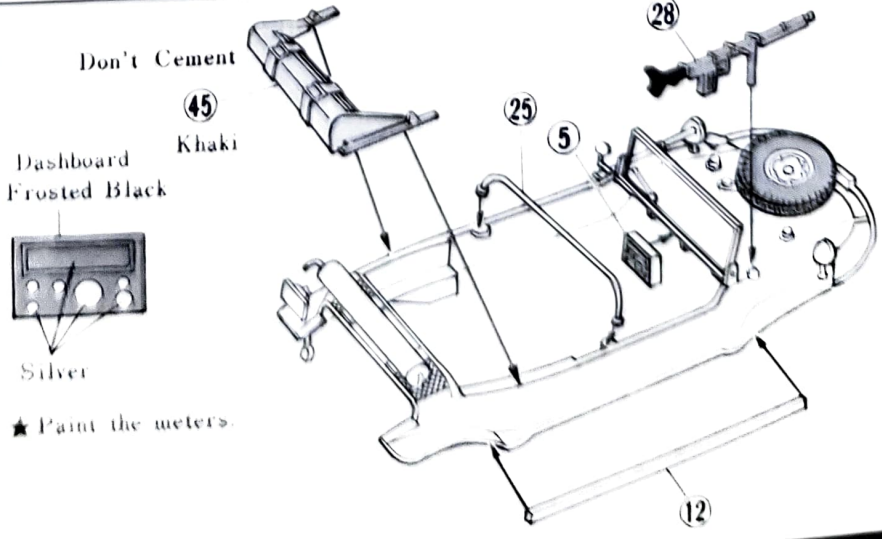


Illustration 4:
Body Assembly (B)

- ★ Fix each part to the body.



4



(In case of open style)

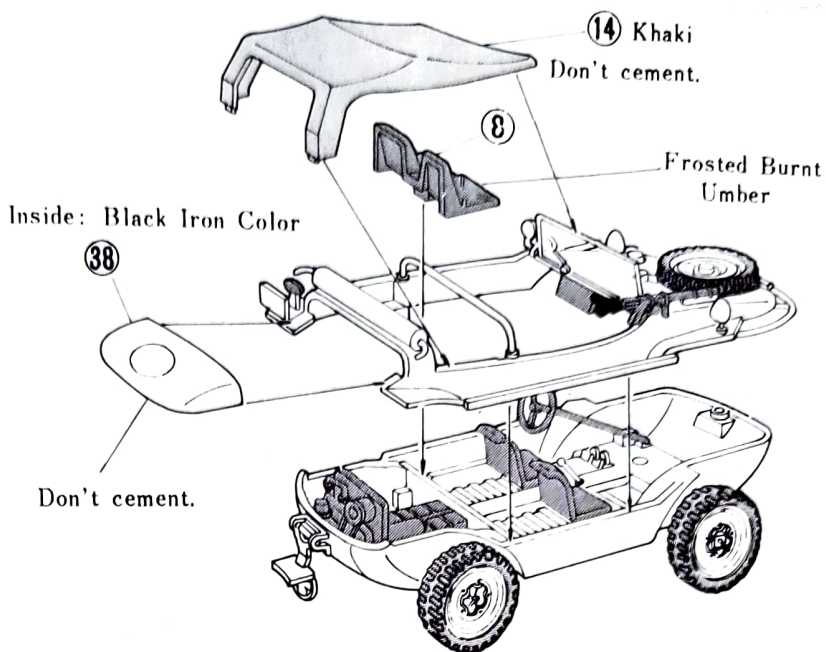
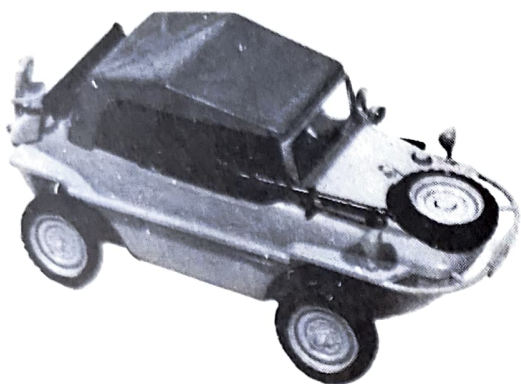


Illustration 5:
Perfection

5

★ Cement the body to the chassis.

In case of Hood style



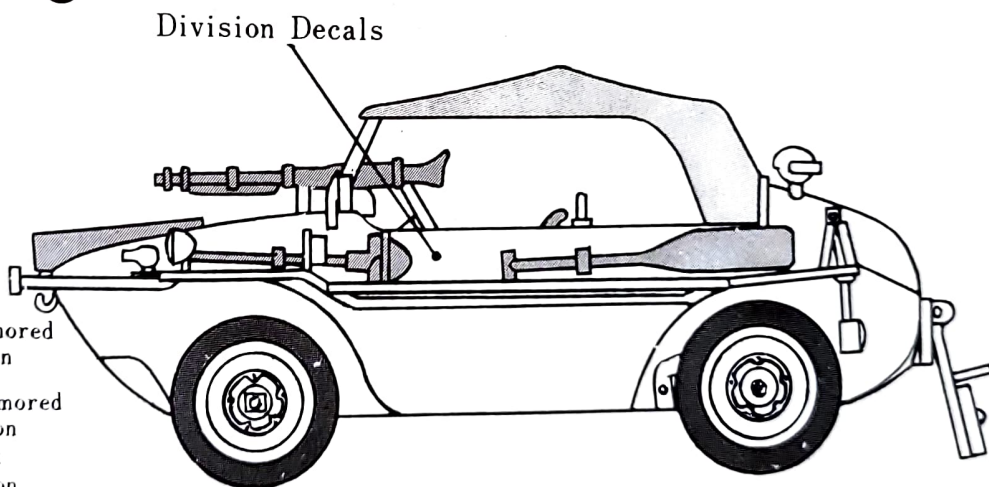
Explanation of the Decals

6

- G A car belonged to the tank group commanded by General Guderian.
- K A car belonged to the tank group commanded by General Krist..
- ☛ A car belonged to the tank group commanded by General Ronnell.

《Divisions' Decals.》

- ☛ No.1 Tank Division
- ☛ No.3 Tank Division
- ☛ No.12 Tank Division
- ☛ No.21 Tank Division
- ☛ No.1SS Armored Division
- ☛ No.3SS Armored Division
- ☛ No.15 Tank Division
- ☛ Gros Deutschland Tank Howitzer Division



《Car Discrimination Decal.》

- ☛ A car of the mechanized infantry corps
- ☛ A car of the mobilization infantry corps
- ☛ A car of the 2 automobile infantry corps

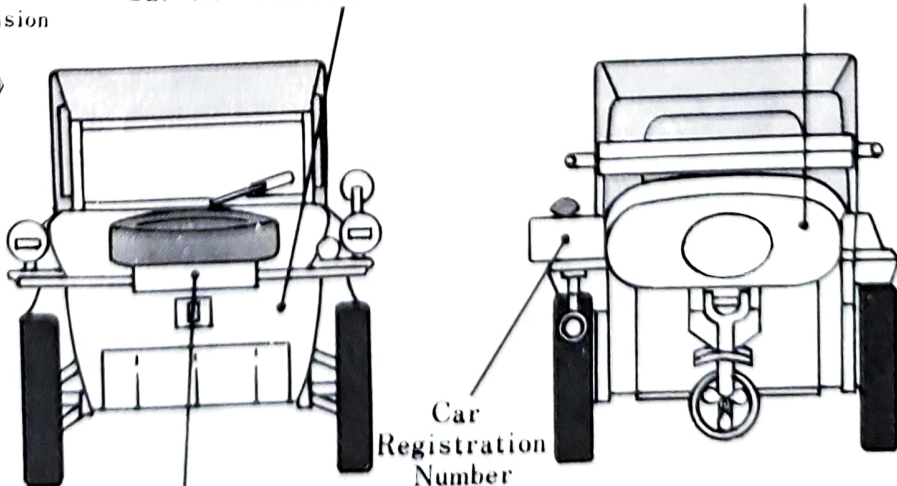
《Body Number》

- WH National Defence Army
- ☛ Body Gurds

★ Choose and stick the decals. at your option.

Car Discrimination Number

Division Decals



Car Registration Number

Car Registration Number

★ No.3SS Armored Division's body is sand color only.

Illustration 7:

Doll Assembly

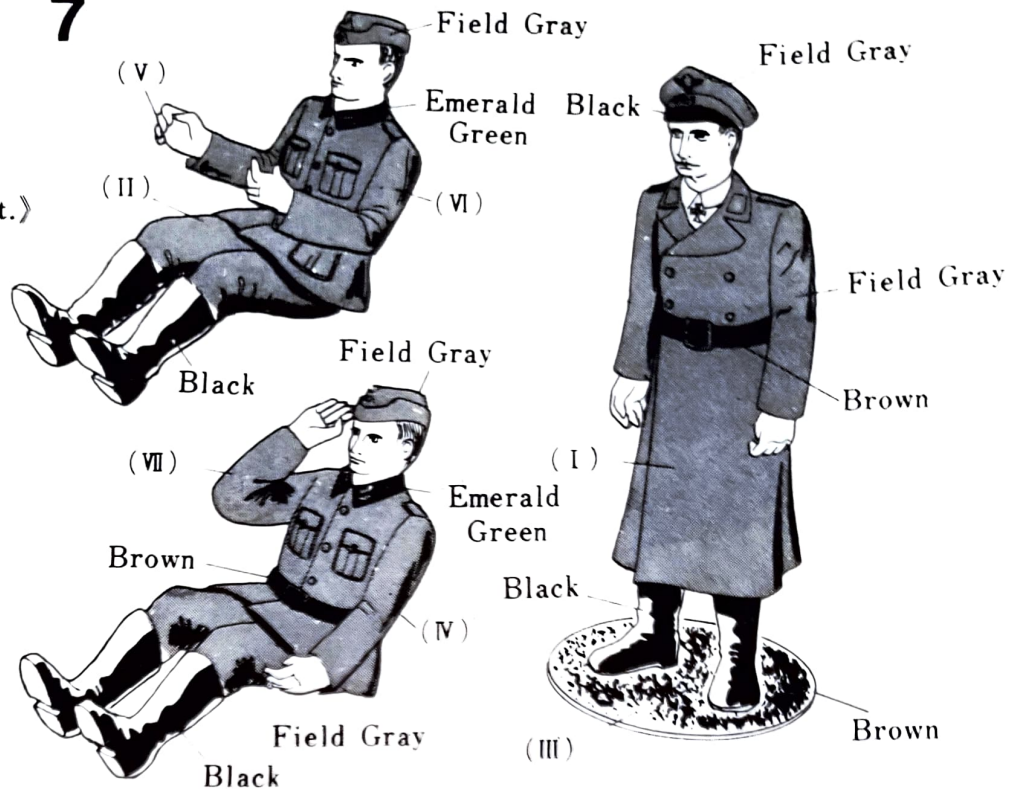
- ★ Assemble the dolls and paint each doll.
- ★ Put the dolls on the car.

⟨In case of wearing the helmet.⟩

Scrape off this part.



7



Schwimmwagen K2s

“Schwimm” of Schwimmwagen means to swim or to float in German, so this car could drive on the surface of the water. The body was made use of the “Volkswagen,” the masterpiece of Dr. Ferdinand Porsche who had founded the Porsche company, and it kept the endurance and the economy of the Volkswagen as it had been, and was developed for the military use jeep.

The body structure was very light and boat style, for driving on the water. This style was so splendid that it would be able to bear at the modern times as it was. On the water, the screw at the rear, could be taken down and connected directly to the crank shaft of the engine with the dock crutch.

Just as called the amphibian Volkswagen by the

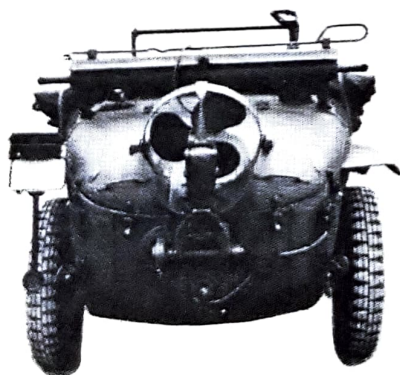
Allied Forces, its engine was the same as of the Volkswagen, 24.5 hp., 10 type 1131 cc flat type 4 cylinders air cooling gasoline engine. The mission was forward 4 speeds and rear 1 speed, and when it was driven with all wheels, the mission was low. And the driving operation on the water, was the same as on the ground, by changing the direction of the front wheels by the steering.

The crew were 4 men, the maxim. speed on land was 75 km/h, the one on the water was 12 km/h and these show the high capacity and mobility of the car at that time.

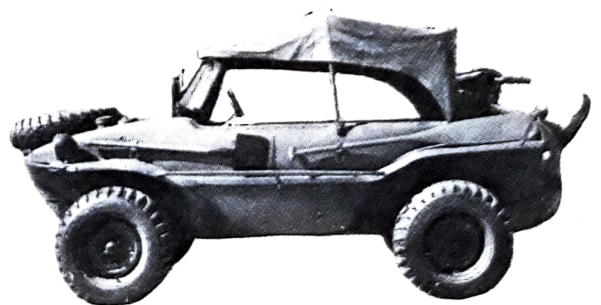
Moreover, to increase the mobility at the off-road, the nonslip differential apparatus and the tires of deep tread were equipped.



Front



Rear



Schwimmwagen with Hood

How to make the 1/48 diorama model No. 11

How to make destroyed battle vehicle

The diorama of acting the battle scene, should be increased its acting effect by destroyed battle vehicle. Try to act many vehicle such as a black burnt tank, or a tank cut its caterpillar, or a car turned over. But the tank or the car perfected with great pains are too good for destroyed. So, as shown photo (A) putting destroyed buildings behind, desolating the ground, putting a car turned over, and hiding soldiers behind it, the rather good effect can be gained. At (B) as its application, the effect is more increased by bending the front wheels and painting black smudge painting. In this case, the soldiers at the back play a great roll. The photo (C) shows that the No. 2 Howitzer has been broken its caterpillar, armor and gunbarrel. This can be made by making holes at the armors with a hot iron, bending with a hair dryer irregularly, and paint the parts black smudge painting, then the gunpowder's explosion is acted. (D) shows the No. 4 tank shot by the armor piercing shell and it can be acted by penetrating the armor with a hot iron and painting its around black radially. It should be seen on the real car recording photo and etc. In this case, the more real effect can be gained by cutting the caterpillar.

E shows the shell has exploded in the tank and to blow off the turret and the flame has come up from every hatch to be burnt black. It should be painted to make resemblance of soot. (F) shows the final act of that scene, and it is acted the dead soldier who has been coming up from the hatch to show the fierce explosion.

