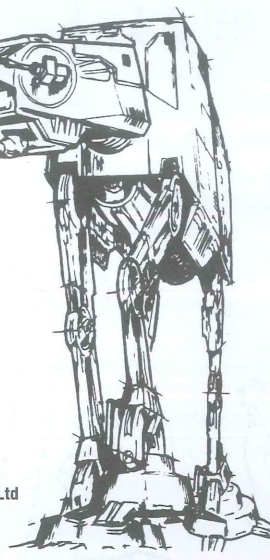




# AT - AT™

All Terrain  
Armored Transport



Round 2, LLC  
4073 Meghan Beeler Ct.  
South Bend, IN 46628



International Hobbycraft (UK) Ltd  
10 Temple Back  
Bristol BS1 6FL England

© &™ Lucasfilm Ltd.

MPC is a registered trademark of Round 2, LLC. ©2021 Round 2, LLC, South Bend, IN 46628 USA.  
Product and packaging designed in the USA. Made in China. All rights reserved. starwars.com

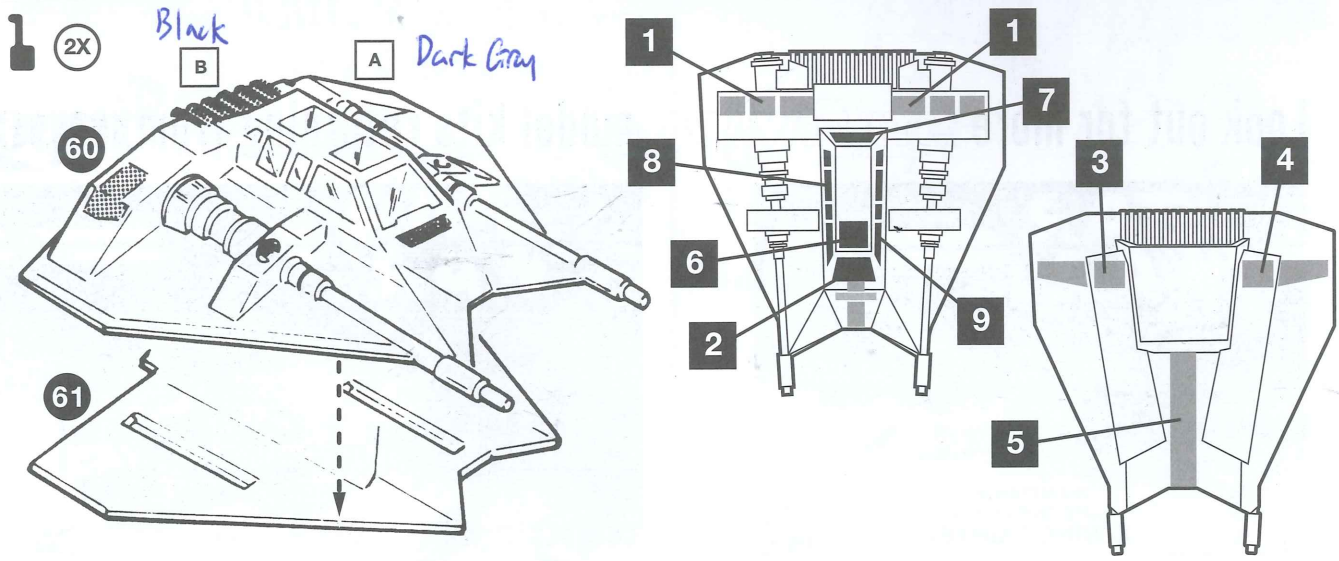
### IMPORTANT! READ THIS FIRST

- Study assembly drawings carefully before starting.
- Each part is identified by a part number (14).
- Scrape paint and plating from areas to be cemented.
- Before cement is used, check the fit of each part.
- Use only enough cement to join parts.
- Apply cement to small parts with a toothpick.
- Use cement made for styrene plastic only.
- Allow paint to dry thoroughly before handling.
- Your model may be painted to match the box photos.
- Cement all parts except where Do Not Cement symbol is shown.

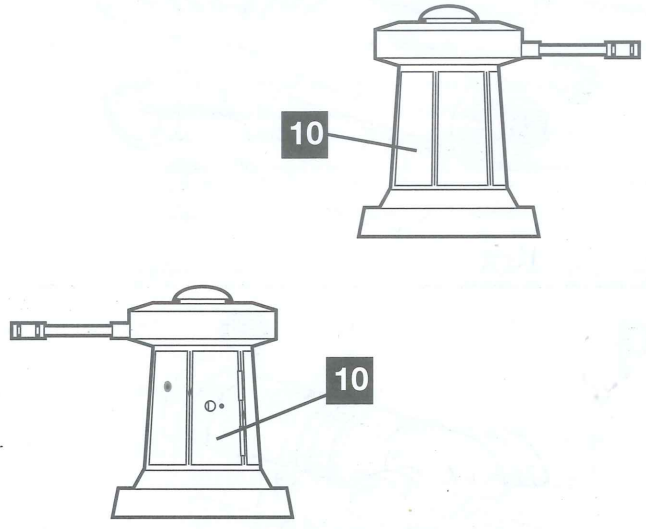
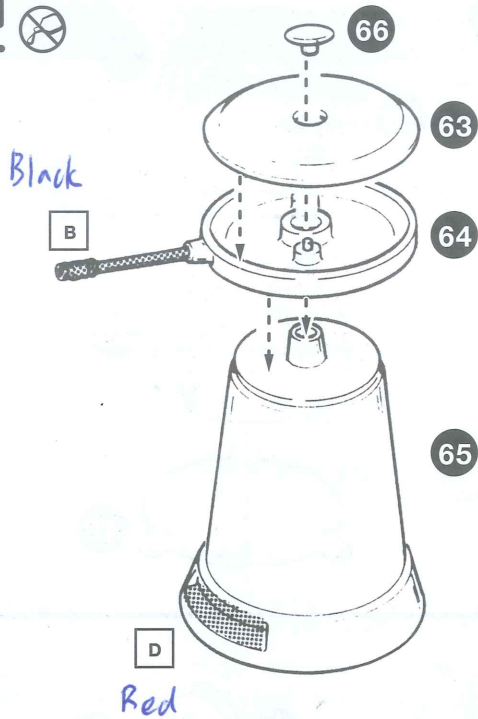
### PAINTING GUIDE

A	DARK GRAY
B	BLACK
C	RUST
D	RED

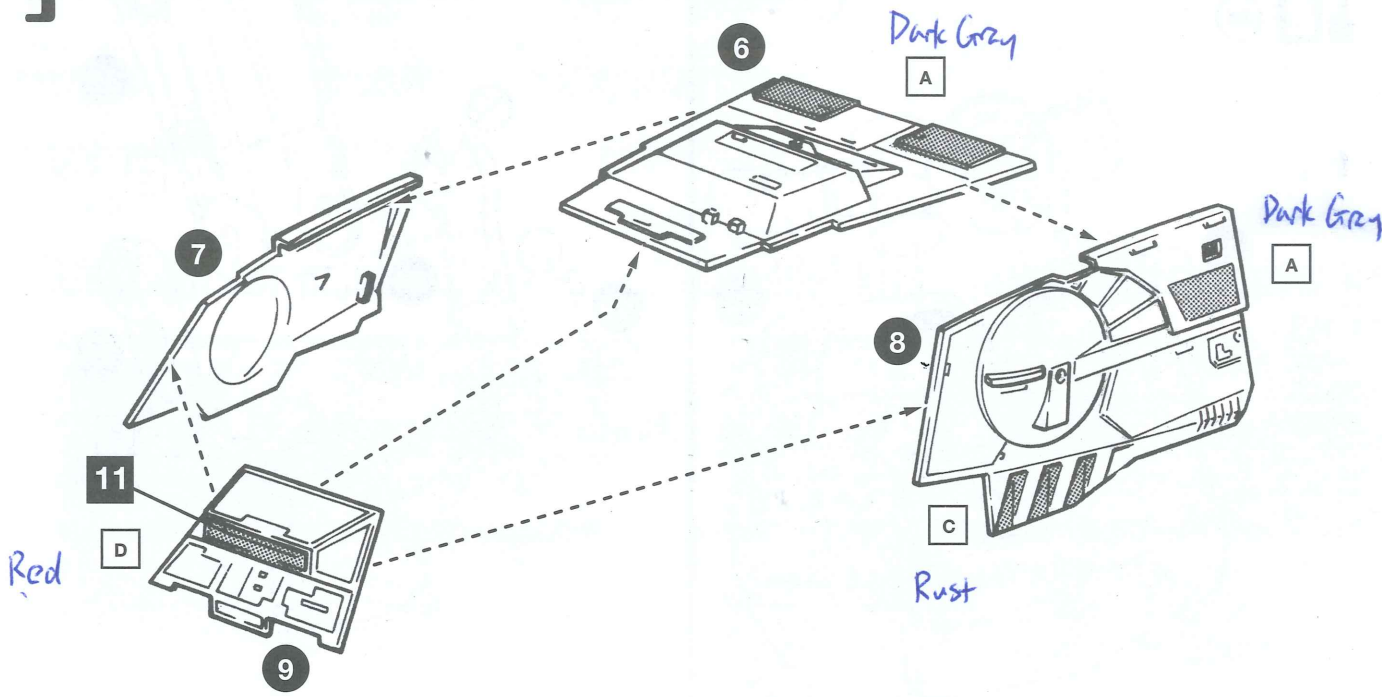
	PAINT AREA
	PLASTIC PART NUMBERS
	DO NOT CEMENT
	CEMENT HERE ONLY
	REPEAT SEVERAL TIMES
	REMOVE
	DECAL



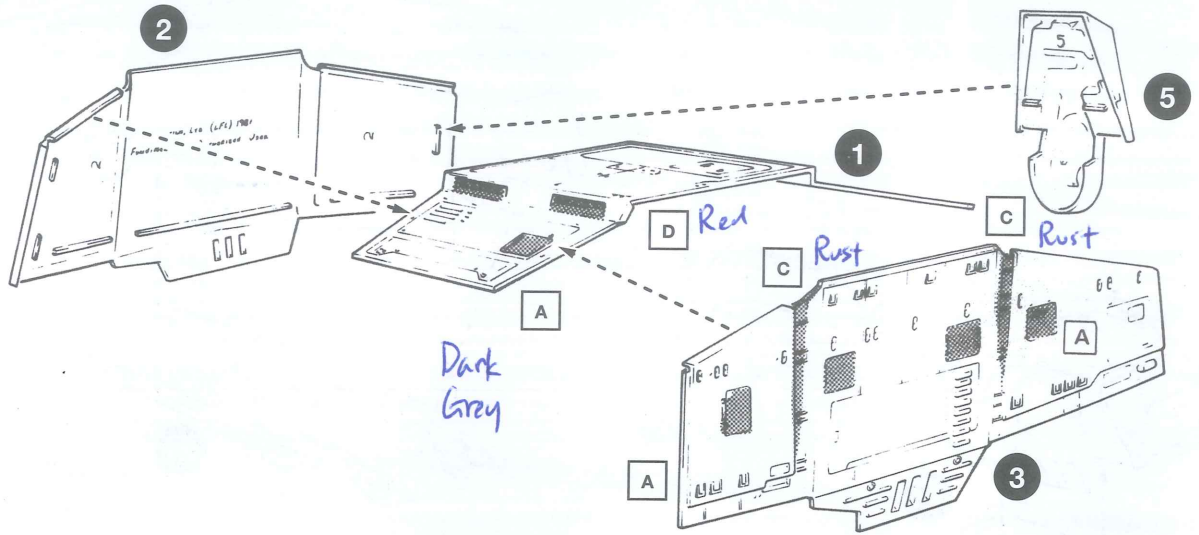
2 



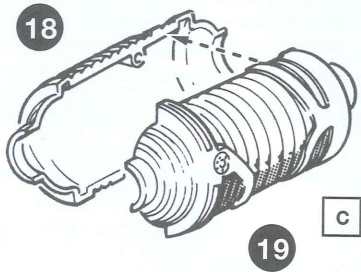
3



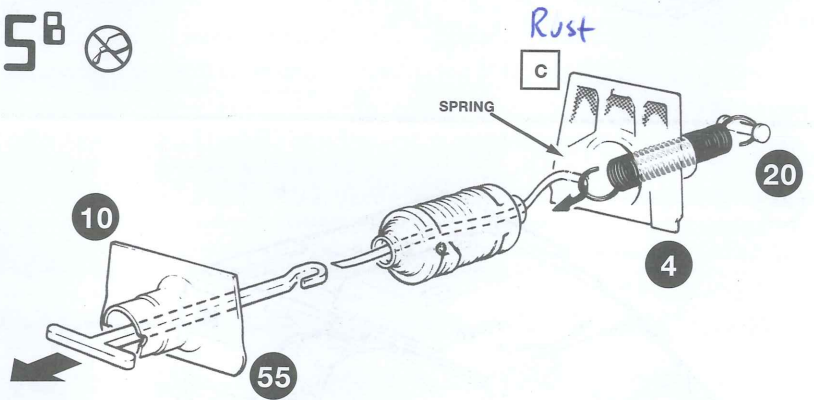
4



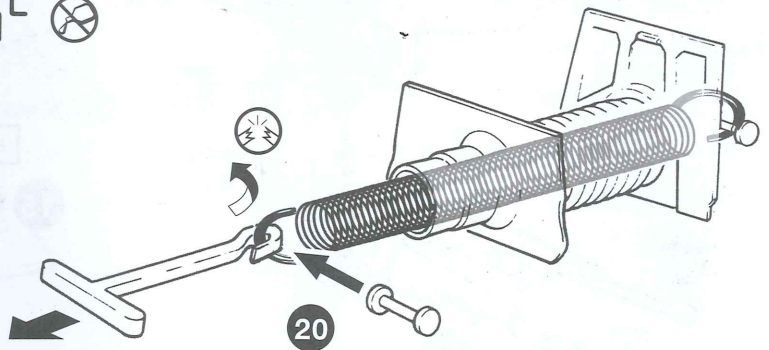
5<sup>A</sup>



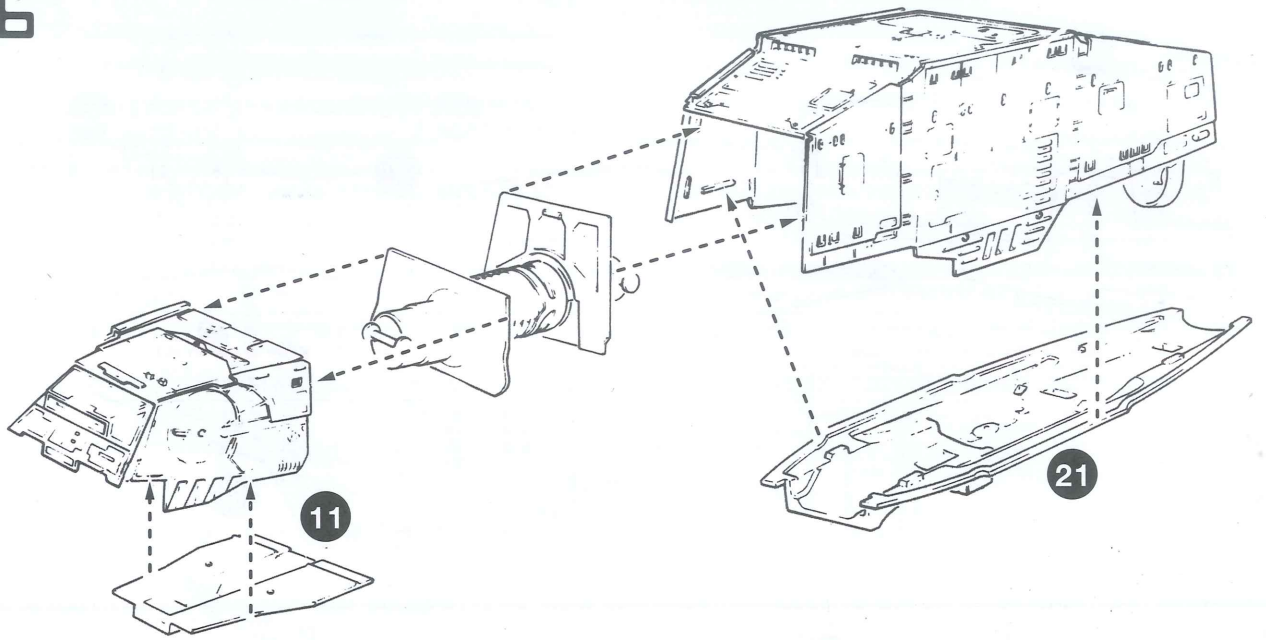
5<sup>B</sup> ⊗



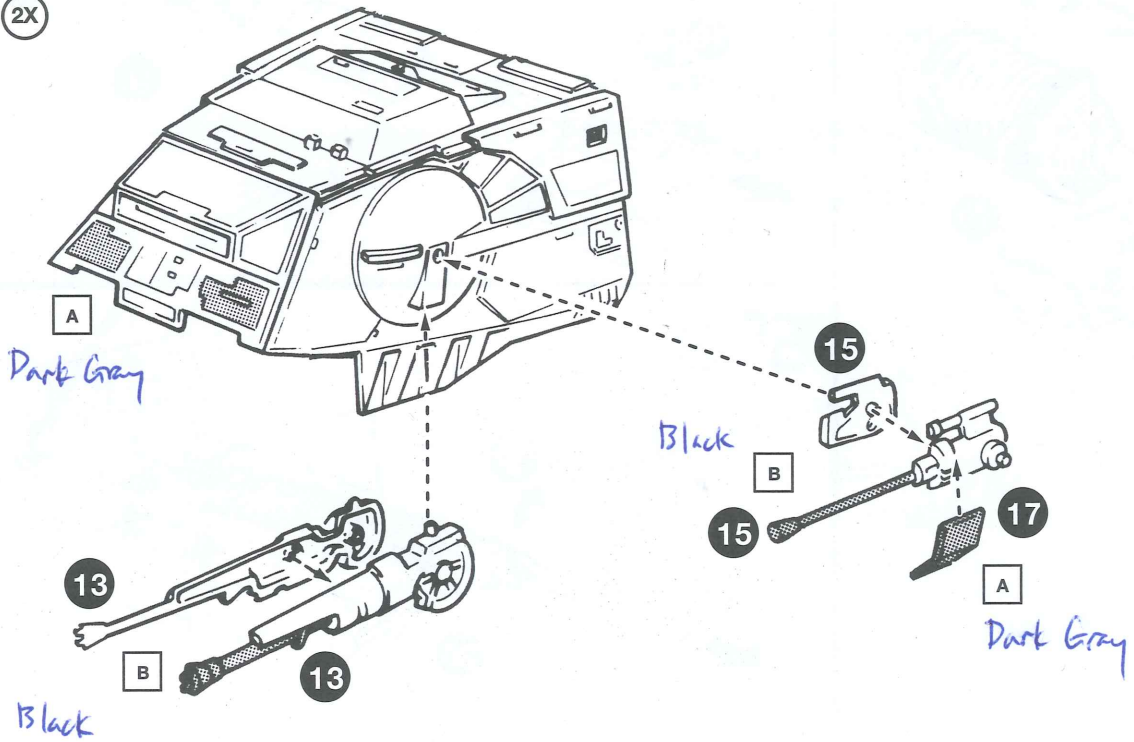
5<sup>C</sup> ⊗



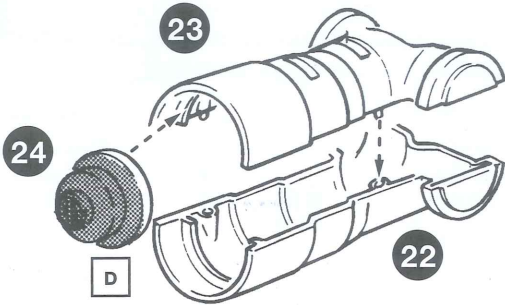
6



7 (2X)

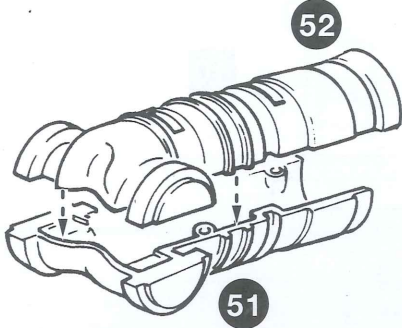


8

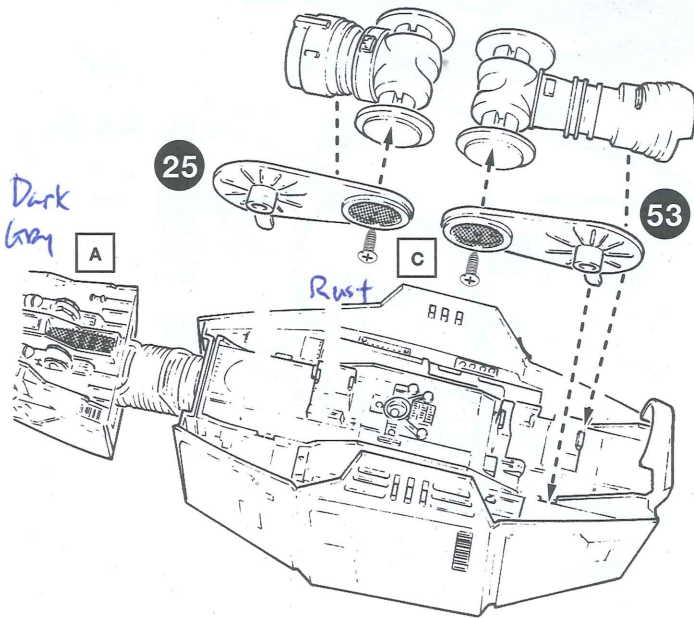


Red

9



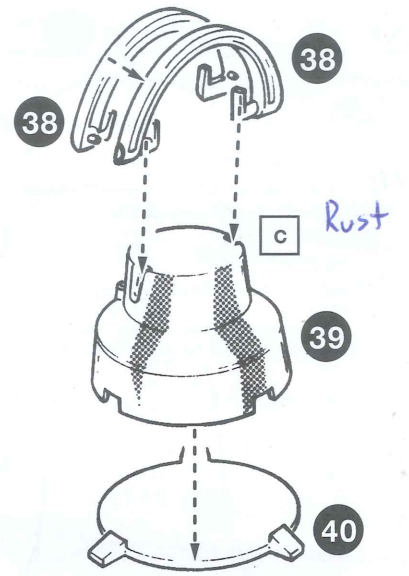
10 (2X)



Dark Gray

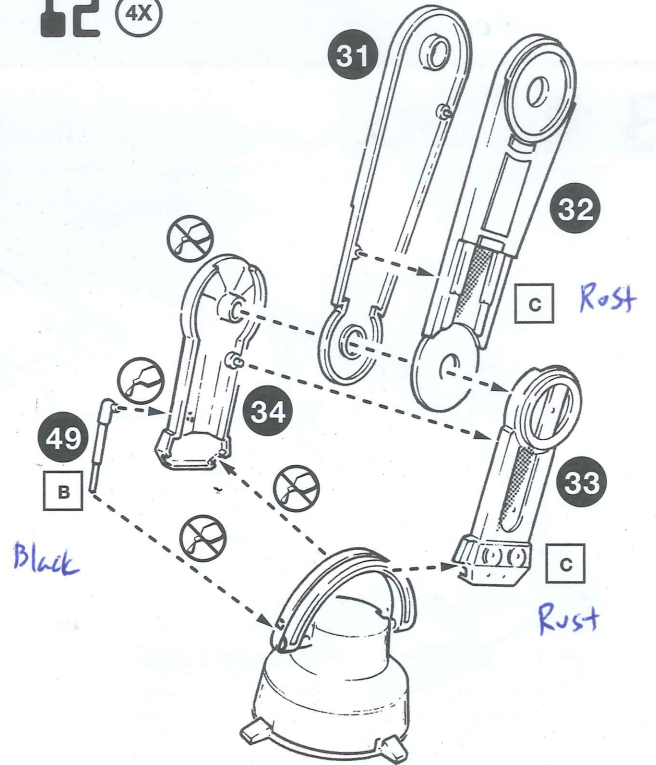
Rust

11 (2X)



Rust

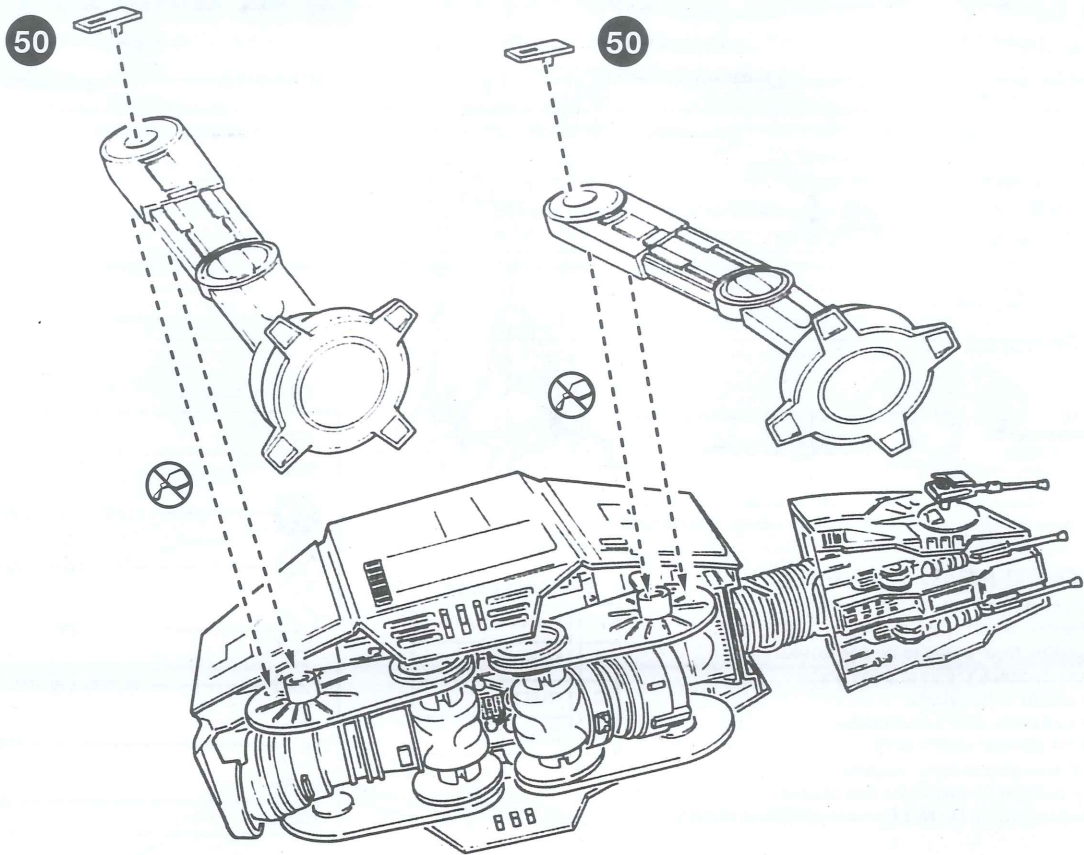
12 (4X)



Rust

Black

Rust



Look out for more **STAR WARS** model kits returning from **mpc**

