

ACADEMY

HOBBY MODEL KITS



1 / 72nd Scale

SUPERMARINE SPITFIRE MARK XIV

History was forever made on October 5, 1944 when a **Spitfire XIV** of No. 610 Squadron was the first Allied aircraft to shoot down a turbojet-powered Messerschmitt 262A Swallow!

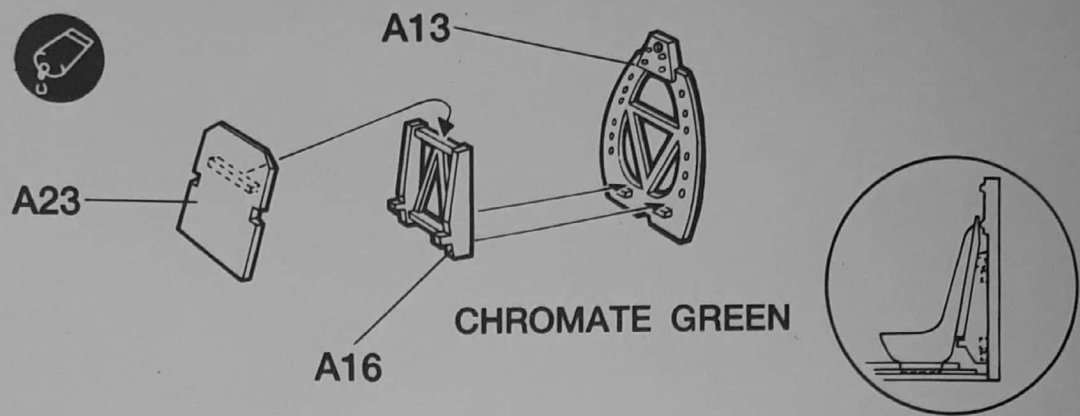
Designed as an experimental Mark V fore-runner of future Griffin-engined Spitfires, it proved so promising, it was named the **Mark XIV** and rushed into production. Over 1,000 aircraft of this type were manufactured and deployed before the end of World War II. It was the **Mark XIV** that finally had the range and maneuverability to go against the FW-190 on equal terms. Powered by the two-stage Griffin type 65 engine, the **Mark XIV** differed from the earlier Spitfires by its larger rudder and elevators, five-bladed ROTOL propeller and four 20mm cannon mounted in its type "C" or "E" wing.

Besides its successful battle history, in particular shooting down over 300 V-1 Flying Bombs, many aviation enthusiasts regard the **Spitfire Mark XIV** as one of the most beautiful fighter airplanes ever designed.

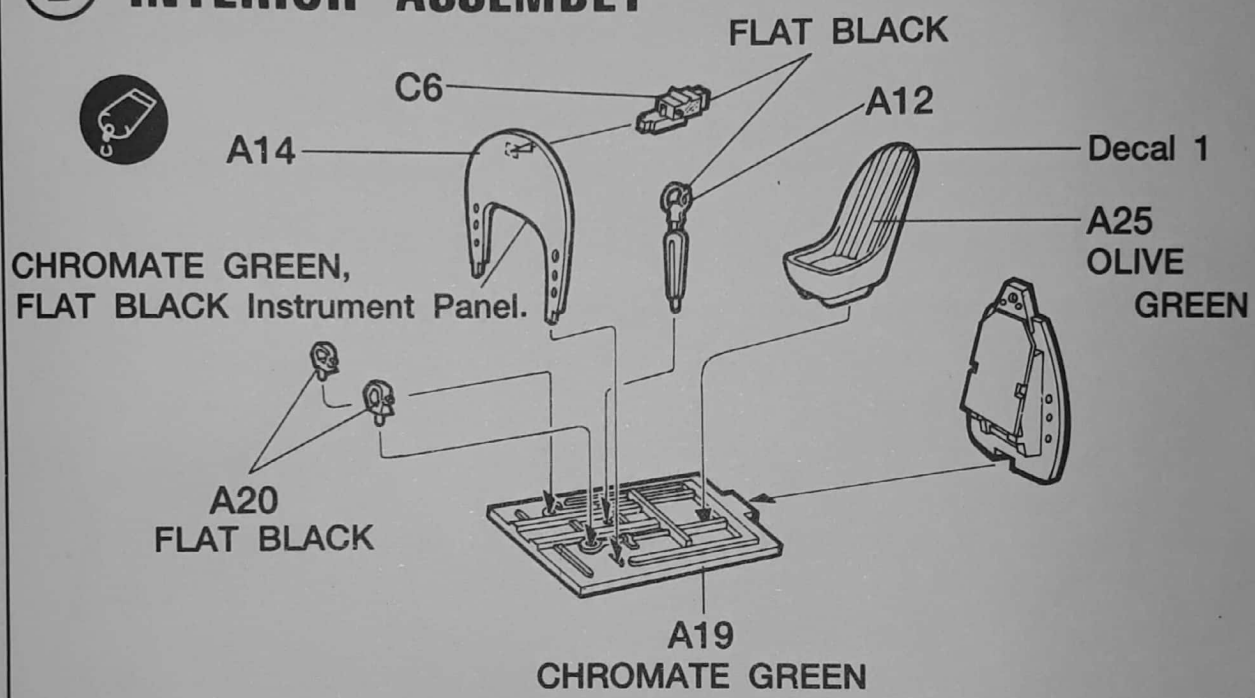
This kit has been engineered with the able assistants of IPMS (UK); namely by Ernie Lee, Dennis J. Mulligan (Past President) and especially Graham L. Green, a life long **Spitfire** expert and enthusiast who was able to make available a considerable amount of information, much of it from original Supermarine drawings.

2130

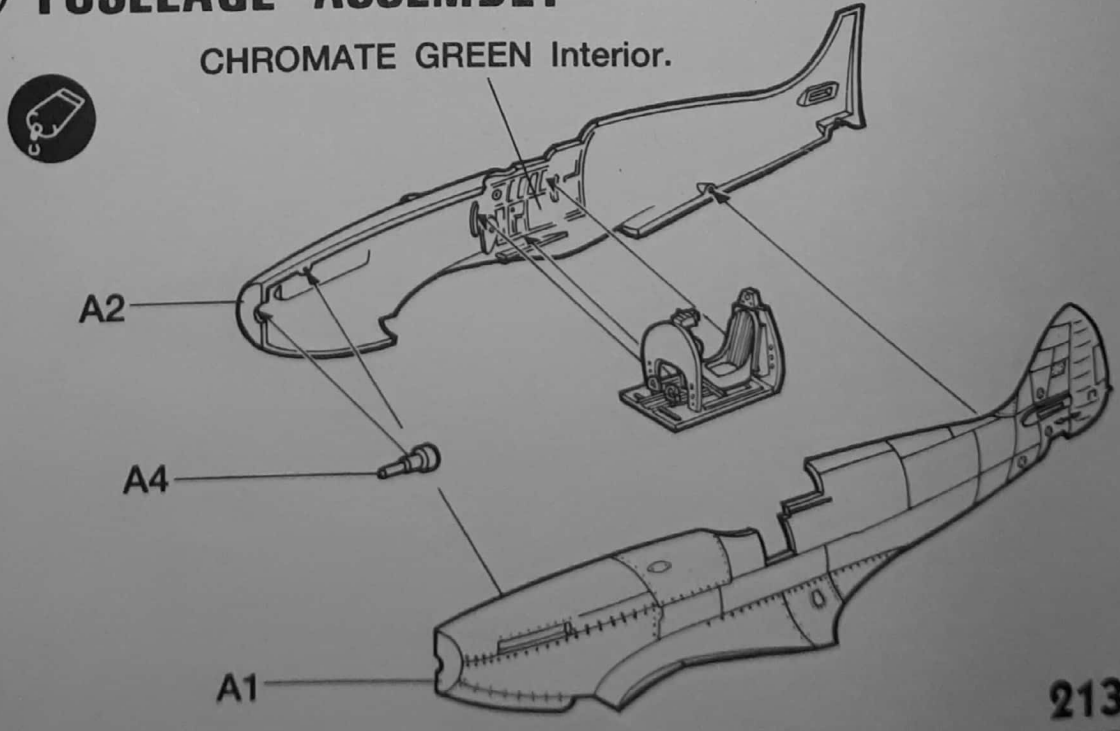
1 BULKHEAD ASSEMBLY



2 INTERIOR ASSEMBLY

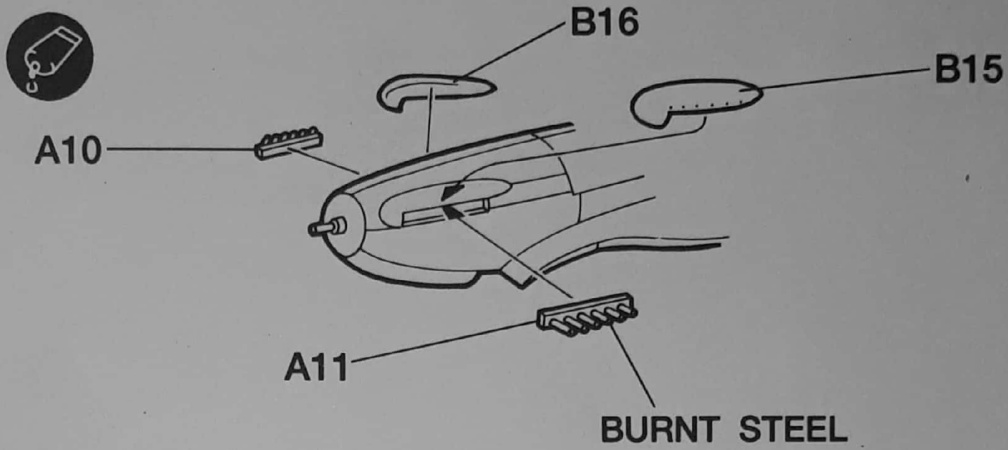


3 FUSELAGE ASSEMBLY

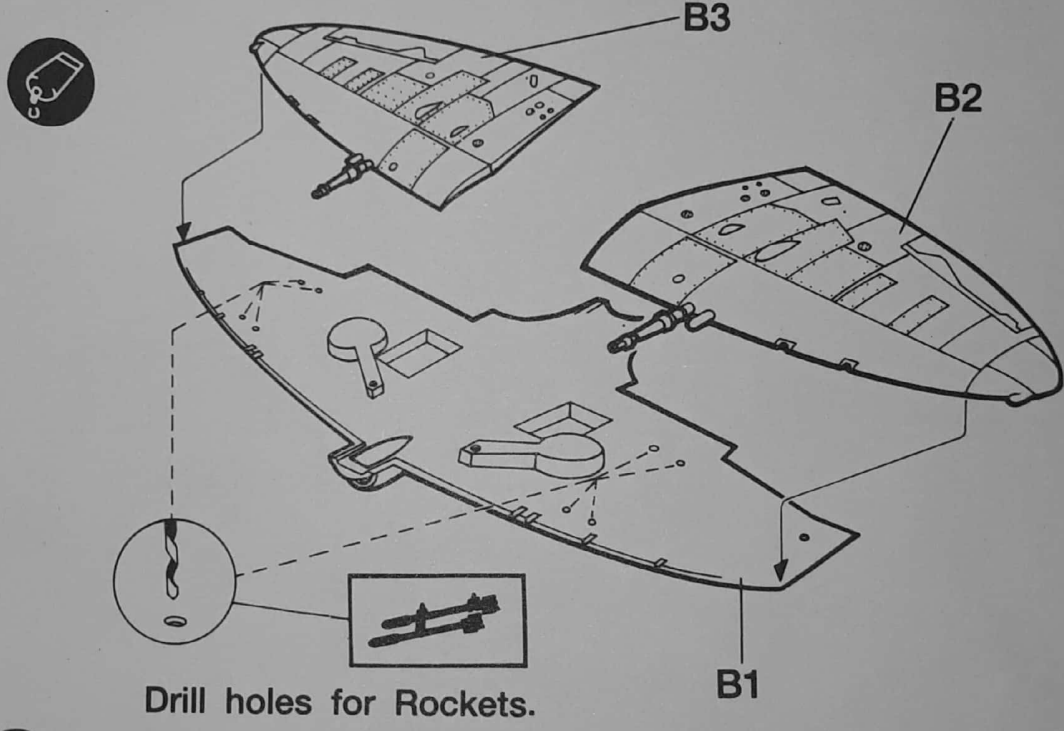


2130

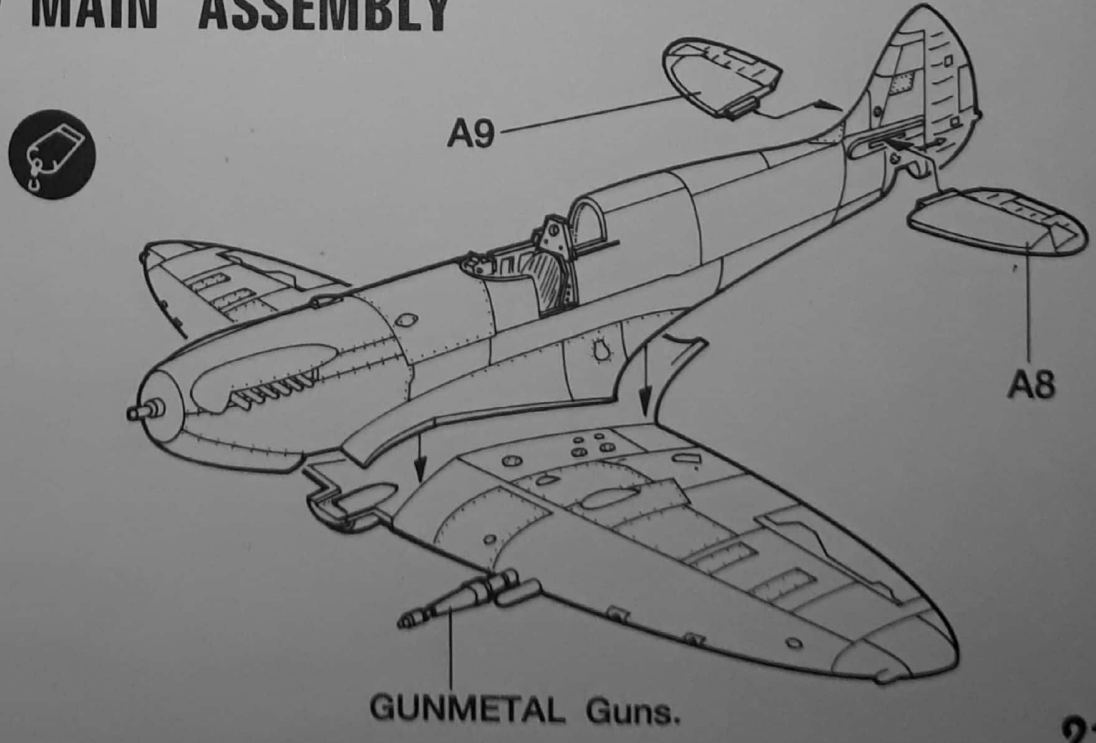
4 ENGINE EXHAUST ASSEMBLY



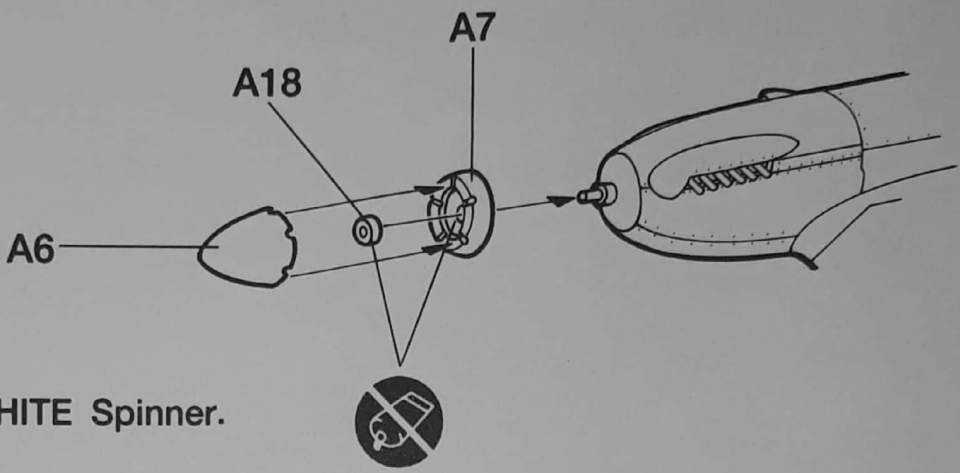
5 WING ASSEMBLY



6 MAIN ASSEMBLY

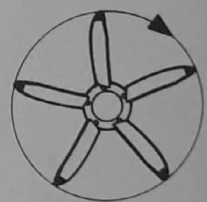
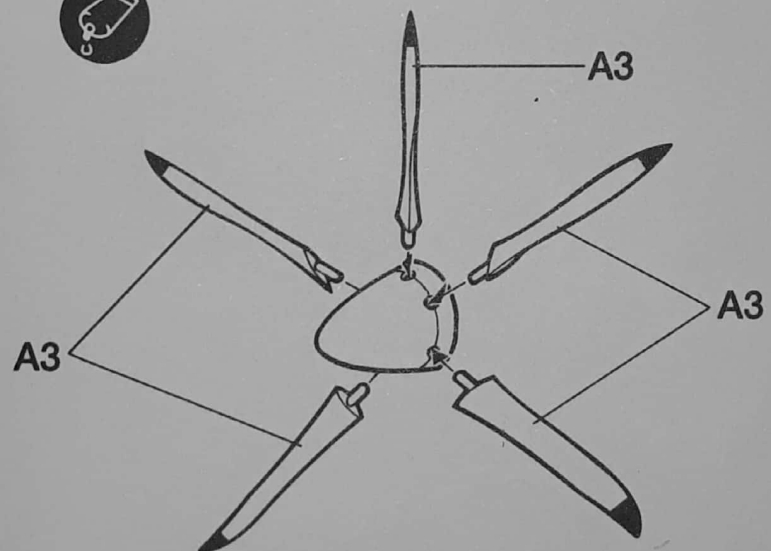


7 SPINNER ASSEMBLY



WHITE Spinner.

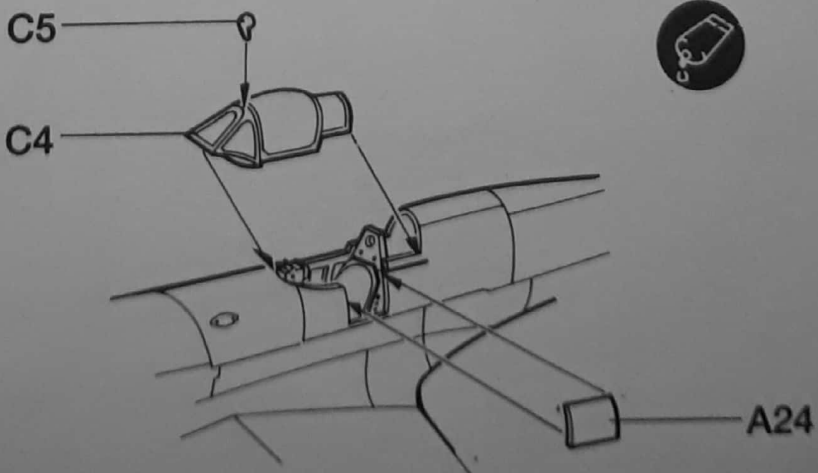
8 PROPELLER ASSEMBLY



Note direction and pitch of blades.

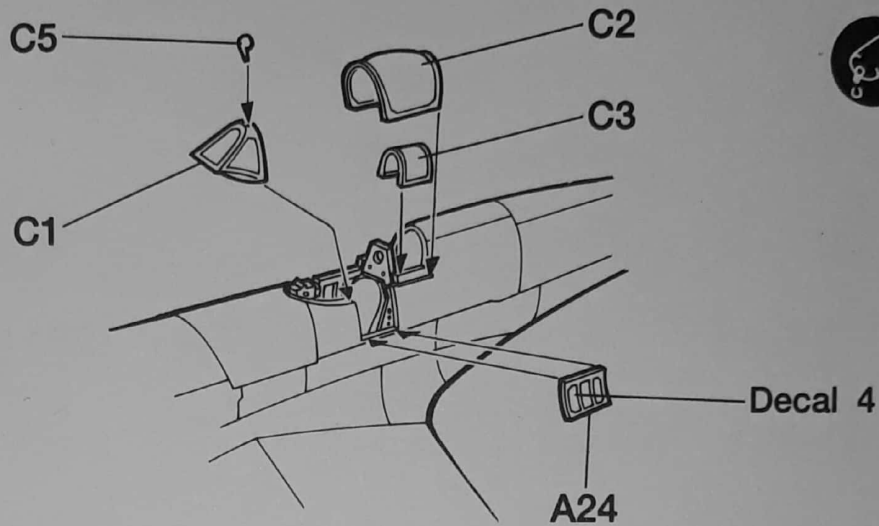
FLAT BLACK Blades with YELLOW Tips.

9 CANOPY MOUNTING(Closed)

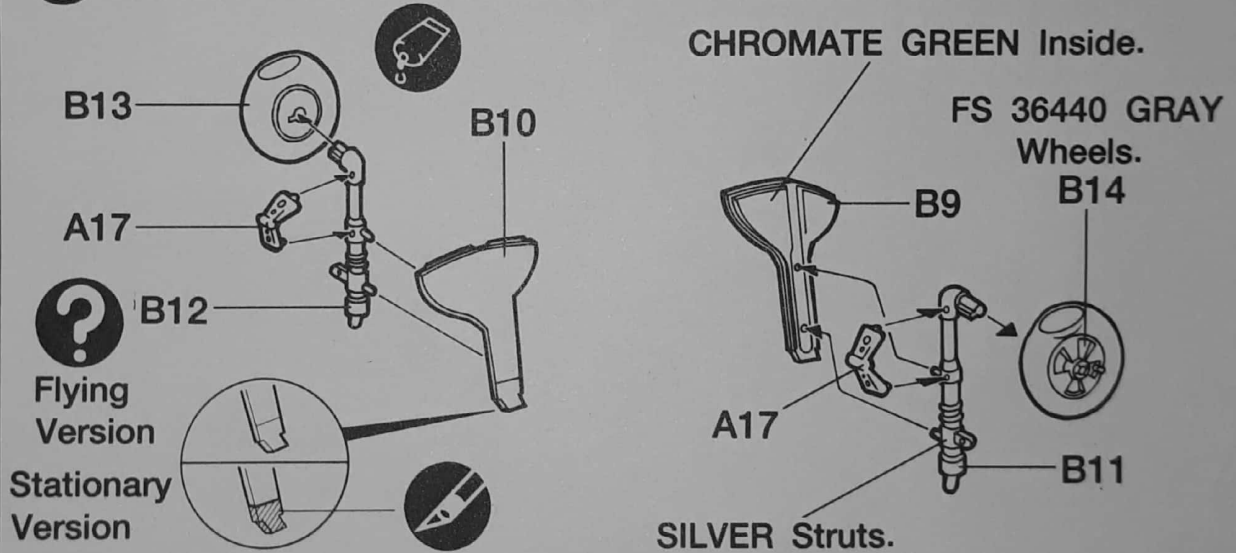


See step 10 for placement of Decal 4.

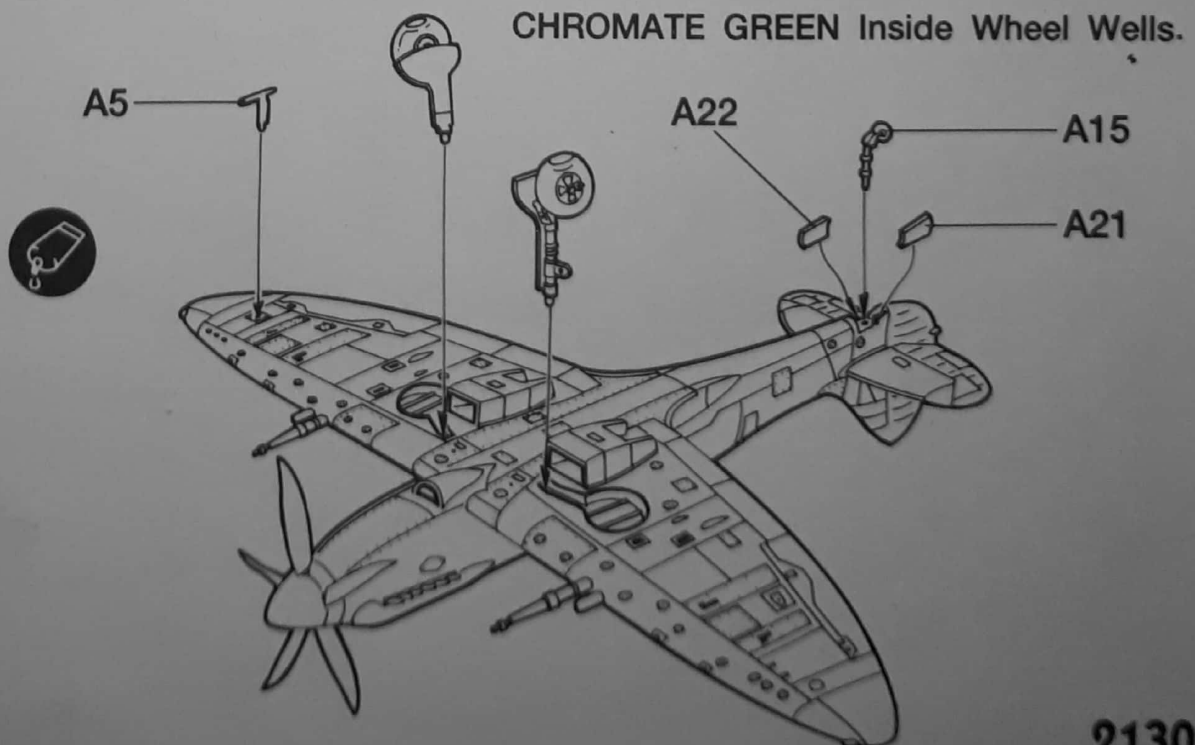
10 CANOPY MOUNTING(Open)



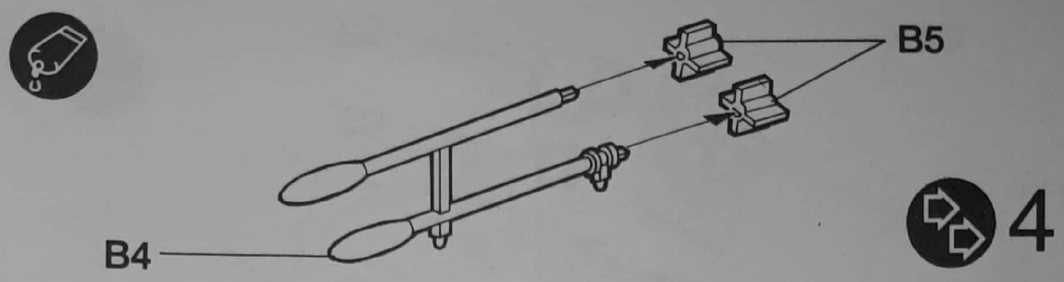
11 MAIN LANDING GEAR ASSEMBLY



12 LANDING GEAR MOUNTING

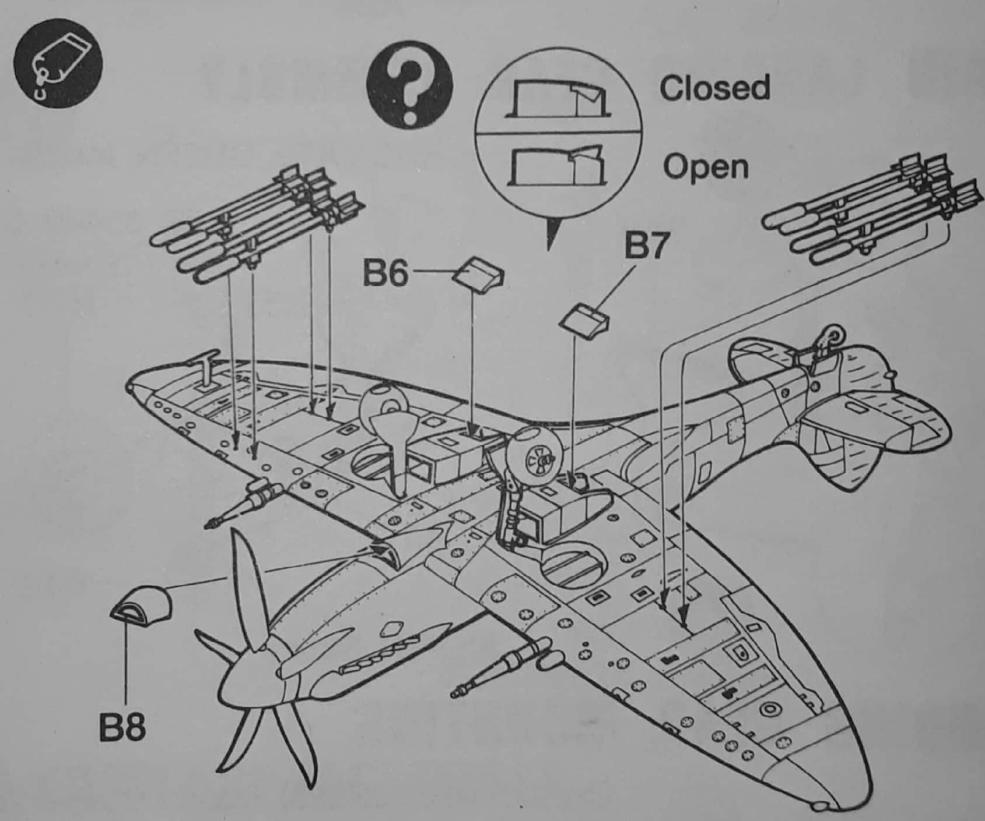


13 ROCKET ASSEMBLY



FS36270 GRAY Rockets, Pylons are FS36440 GRAY.

14 ROCKET MOUNTING





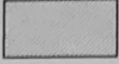
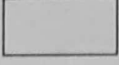
	Cement Parts Coller Kleben Pegar Incollare Colar Kleven		DO NOT cement Ne pas coller Nicht kleben No pegar Non incollare Nao colar Niet kleven		Cut away Couper Schneiden Cortar Tagliare Cortar Snijden		Optional parts Choix Auswahlmoglichkeit Eleccion Scelta Opcao Keuze		Repeat operation Répéter l'opération Vorgang wiederholen Ripetir la operacion Ripetere Repitir a operacao Herhalen
--	--	--	--	--	---	--	--	--	---

ENGLISH	FRENCH	GERMAN	SPANISH	ITALIAN
BLACK	NOIR	SCHWARZ	NEGRO	NERO
SILVER	ARGENT	SILBERN	PLATA	ARGENTO
GUNMETAL	METALLIC	METALLIC	METALICO	METALLICO
ALUMINUM	ALUMINUM	ALUMINUMFARBEN	ALUMINIO	ALLUMINIO
METALLIC	METALLIC	METALLIEK	METALICO	METALLICO
GRAY	GRIS	GRAU	GRIS	GRIGIO
WHITE	BLANCO	WEISS	BLANC	BIANCO
RED	ROUGE	ROT	ROJO	ROSSO
BLUE	BLEU	BLAU	AZUL	BLU
GREEN	VERT	GRUN	VERDE	VERDE

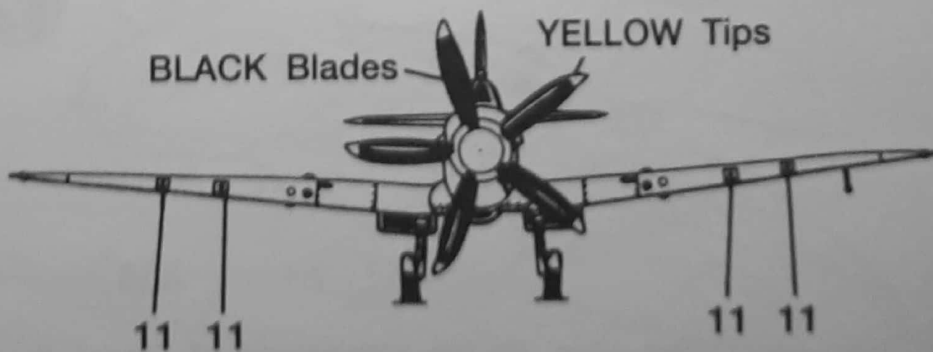
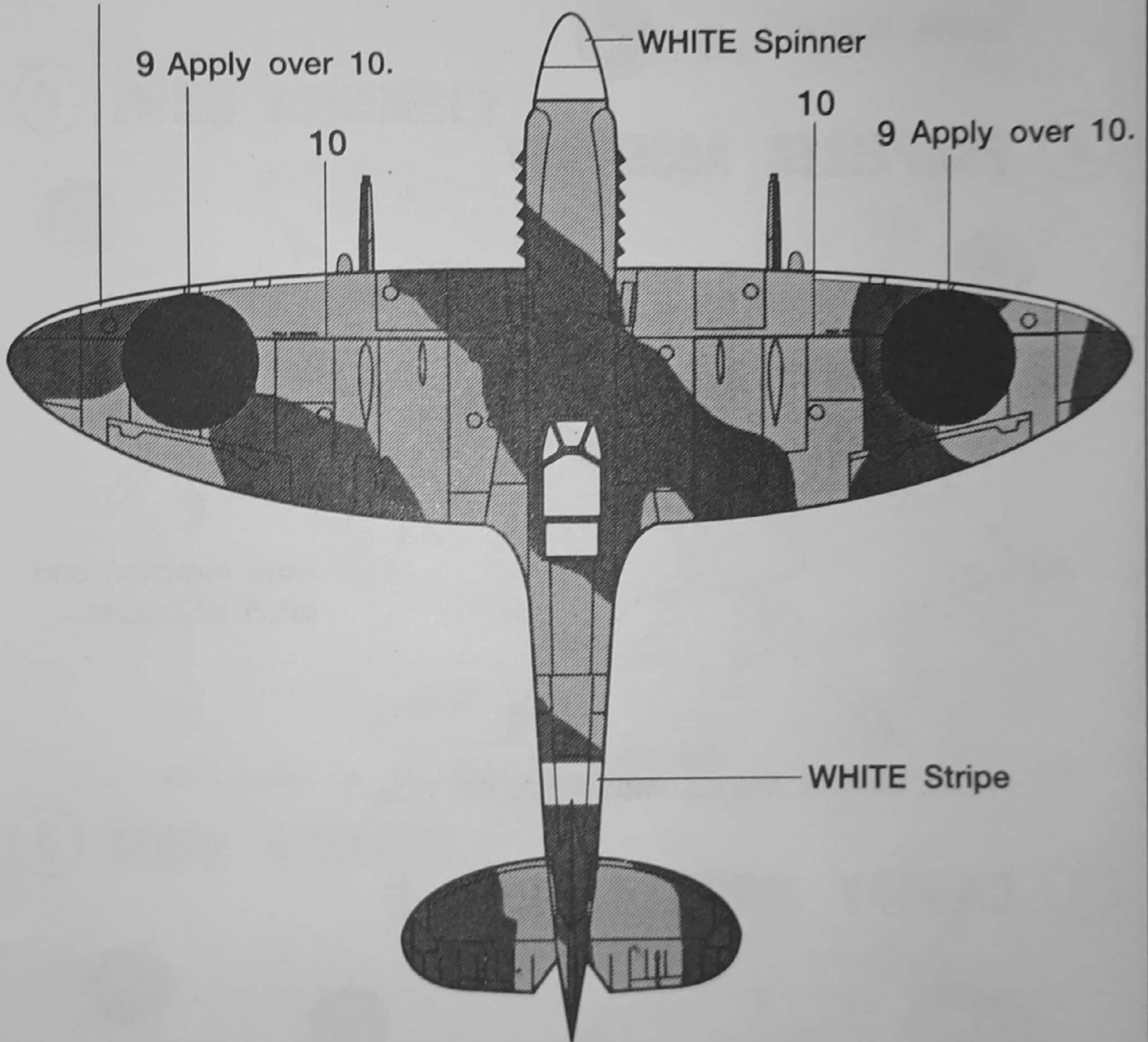
ACADEMY
ACADEMY PLASTIC MODEL CO., LTD.
HOBBY MODEL KITS

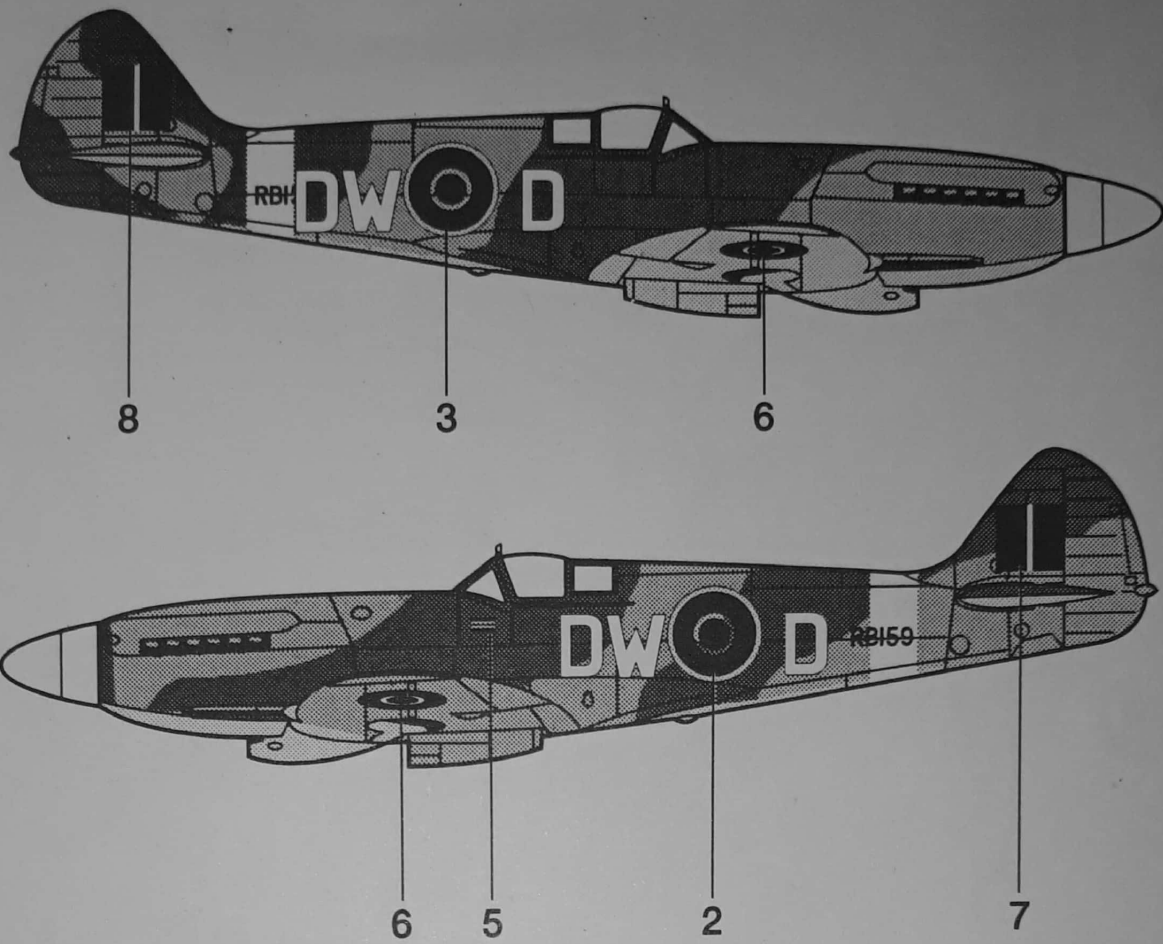
2130

PAINTING & DECAL PLACEMENT

	FS 34096 DARK GREEN
	FS 36270 OCEAN GRAY
	FS 36440 MEDIUM SEA (GULL) GRAY
	WHITE

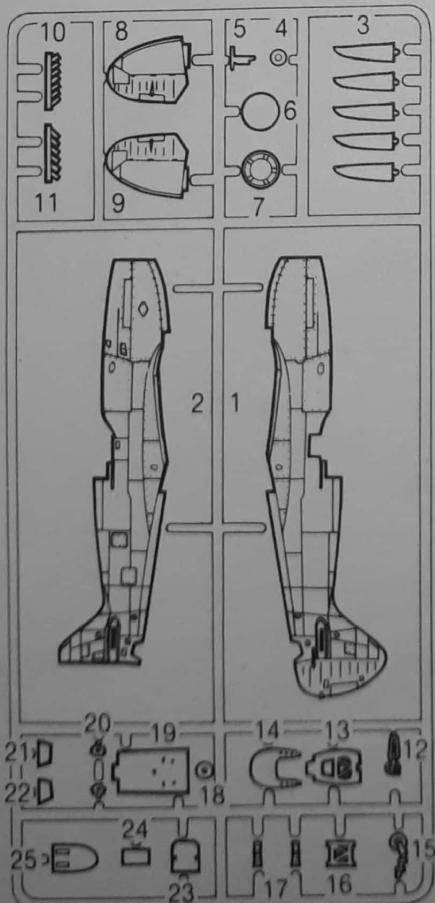
YELLOW Leading Edge.



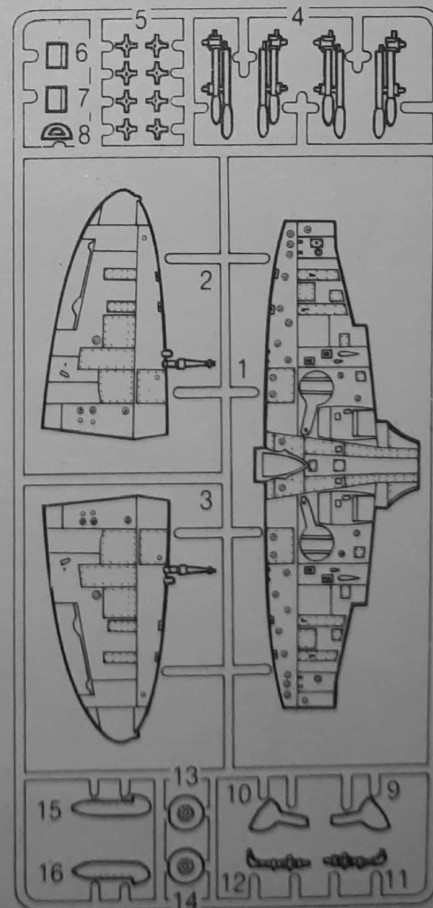


PARTS LOCATING DIAGRAM

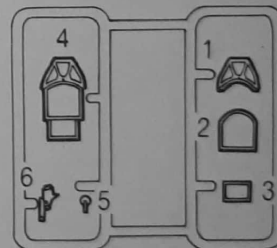
A



B



C



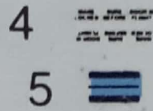
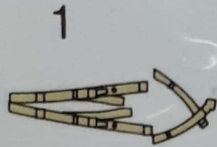
● DECAL × 1

2130

ACADEMY
HOBBY MODEL KITS

ACADEMY
HOBBY MODEL KITS

SPITFIRE MK XIV #2130



2



DW D

RBI59



6



8



3

RBI59



9



10

WALK OUTBOARD

WALK OUTBOARD