

JAGDPANTHER



SPECIFICATION GENERAL

CREW: 5

COMBAT WEIGHT: 46 TONS
LENGHT OVERALL: MT. 10.10
HULL LENGHT: MT. 7.20
WIDTH: MT. 3.27
HEIGHT: MT. 2.72

GROUND CLEARANCE: MT. 0.55
TRACK WIDTH: MT. 0.66

ENGINE

1 MAYBACH HL 230

ARMAMENT

1 88 MM PAK 43 GUN
1 7.92 MACHINE GUN

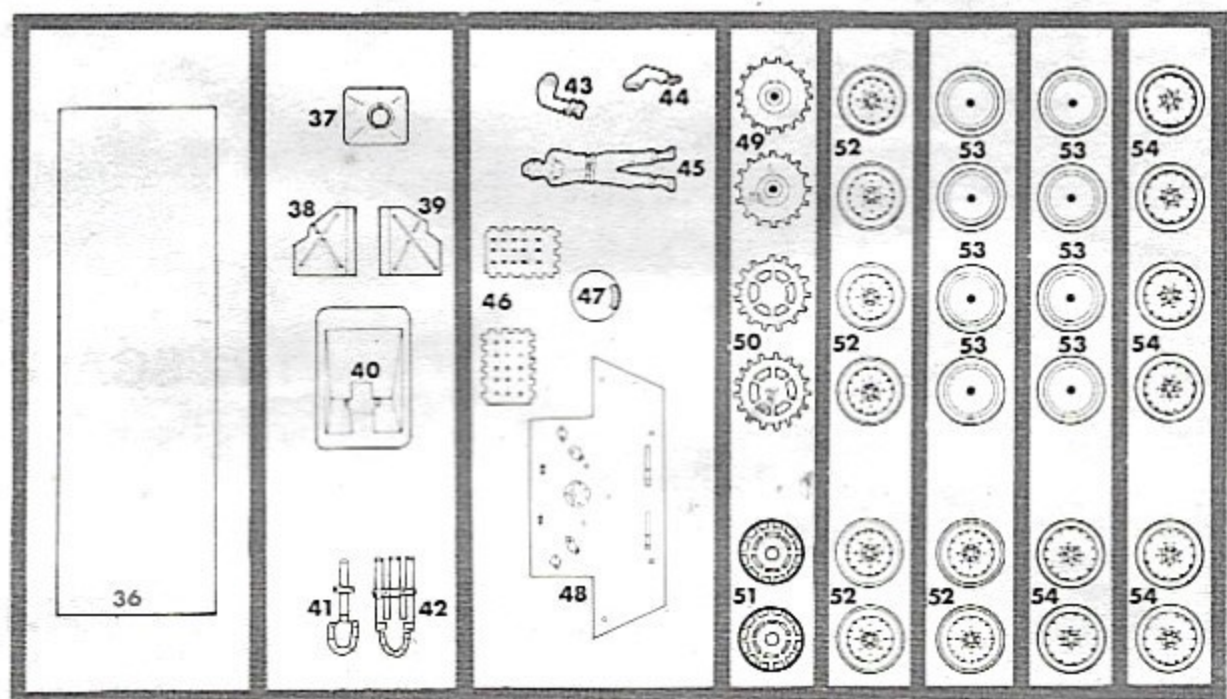
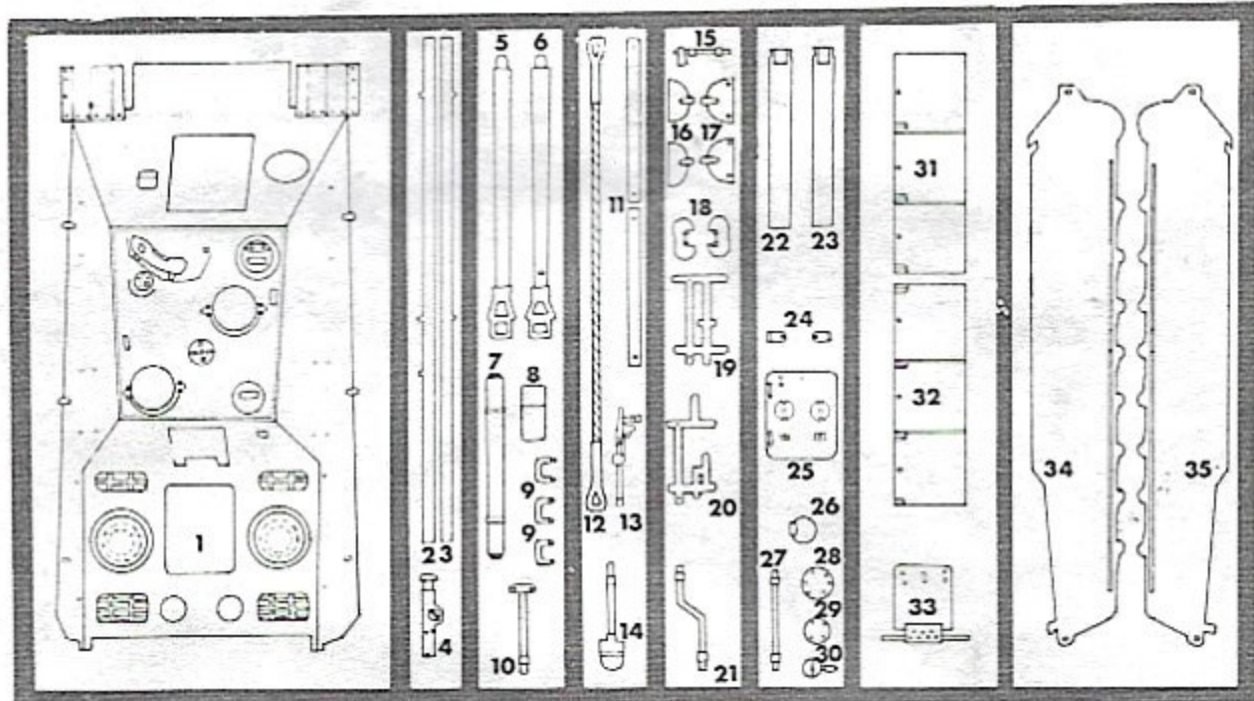
1/72 SCALE

KIT 8312



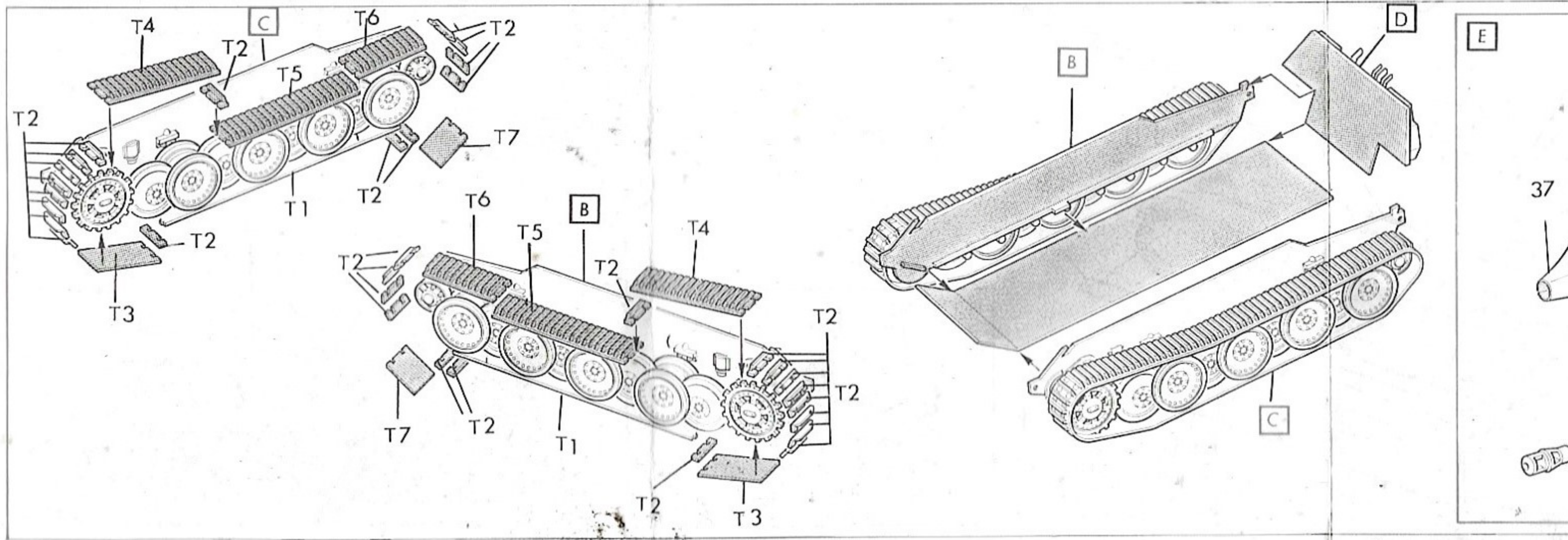
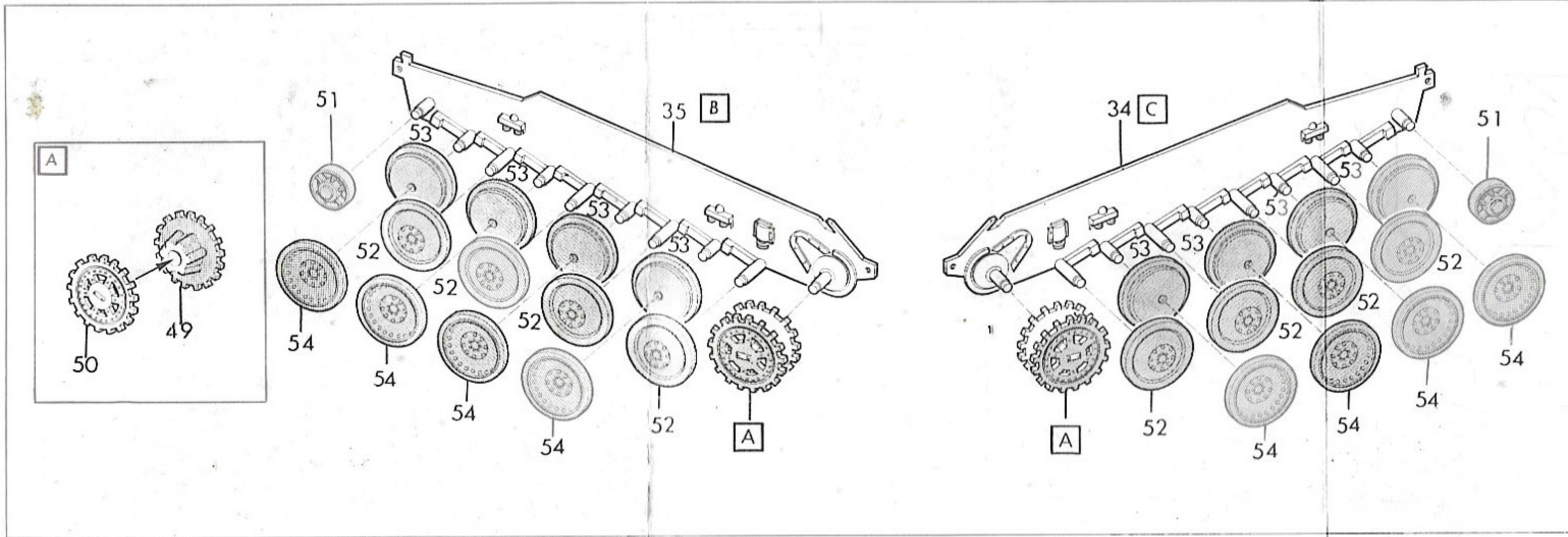
PERFORMANCE

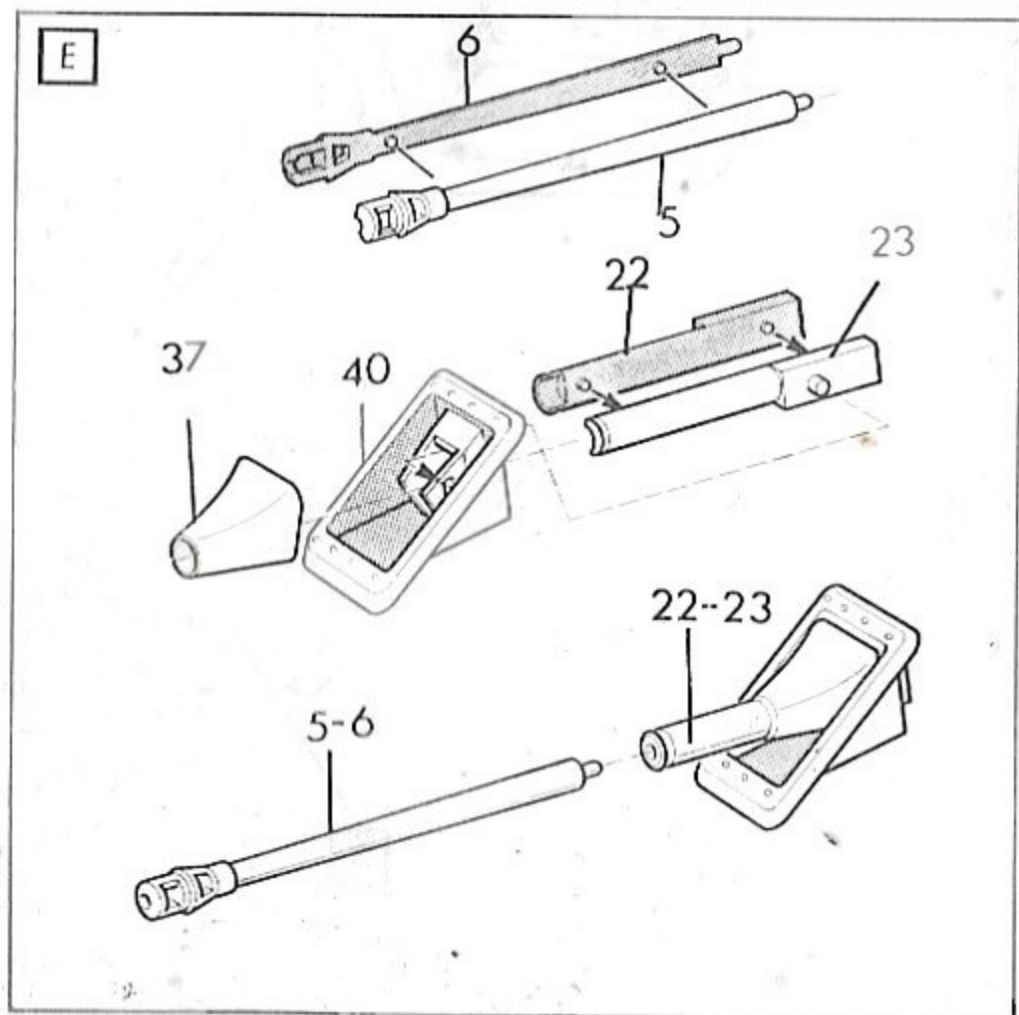
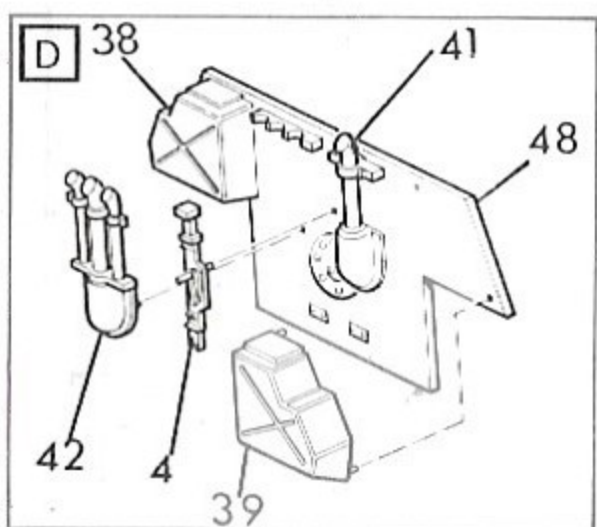
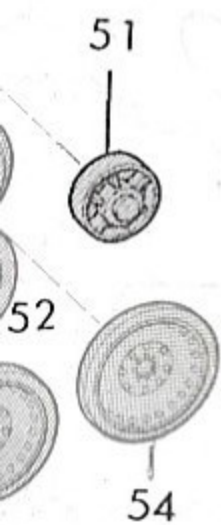
MAXIMUM SPEED: 50 KM/H
COMBAT RANGE: 160 KMS

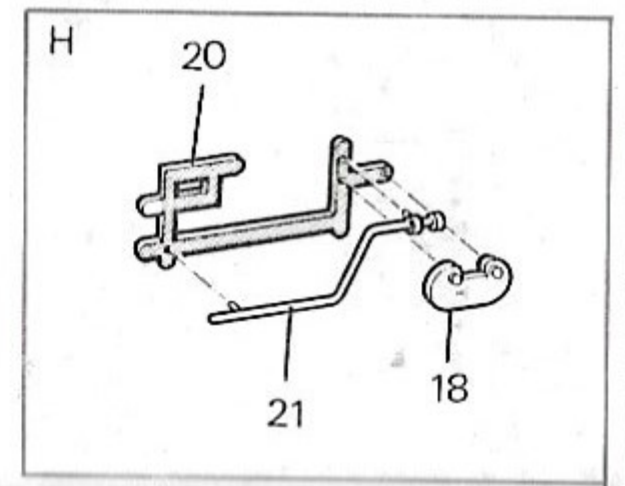
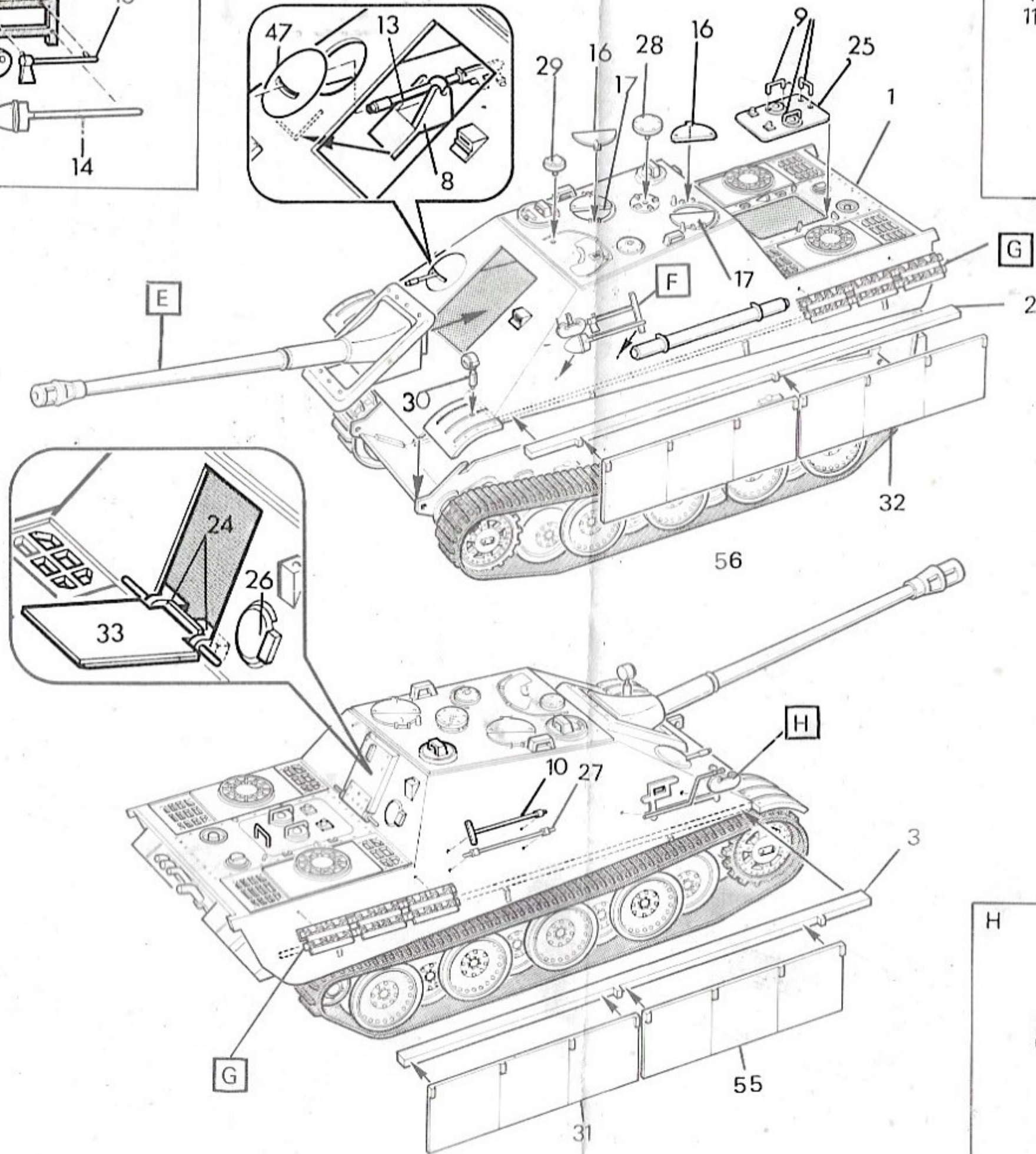
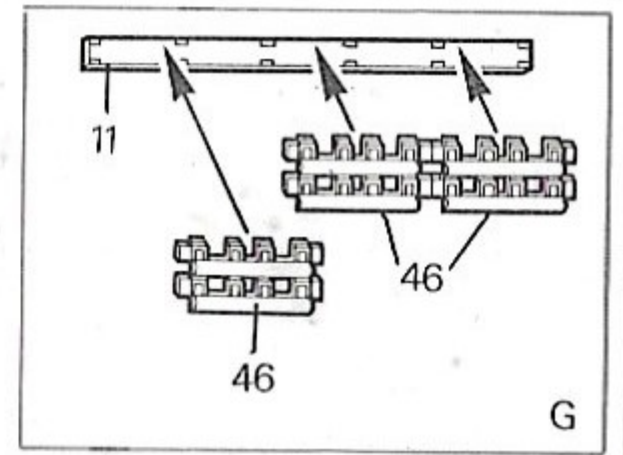
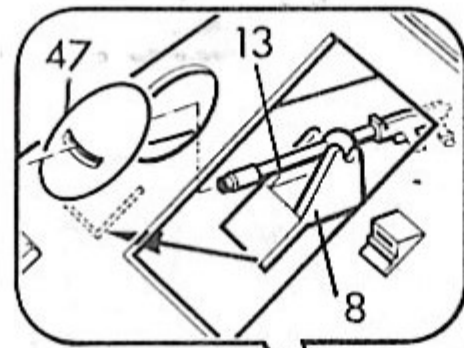
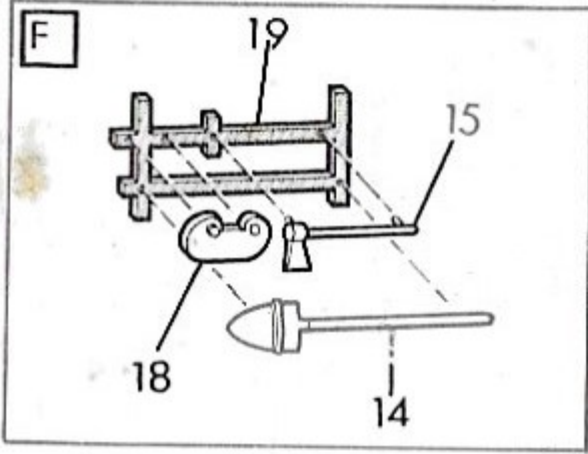


WARNING

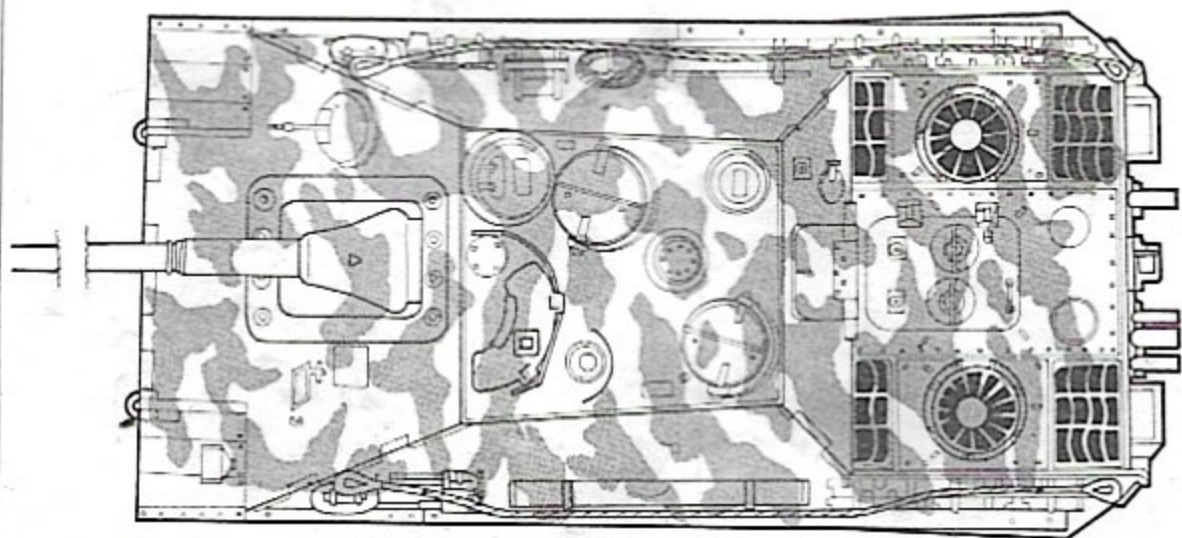
Before starting to assemble the model, carefully examine the various assembly phases indicated in the drawings. Carefully remove the parts from the sprues using a razor blade or emery paper. Eliminate any burrs, check the fit of each piece before cementing in place. Before assembly, paint any internal parts of the model or parts which are difficult to get at once assembly has been made. Always follow the assembly order indicated on the tables and, in the case of alternative parts which make it possible to obtain different versions, always choose the version you prefer before assembly. **STEPS TO FOLLOW IN ATTACHING THE DECALS PROPERLY:** Cut out the subject you have chosen, being very careful to clip along its outlines so as not to leave any ragged edges. Soak it for a few seconds in warm water. Carefully separate it from its backing. Place the decal on the model. Remove all drops of water with a dry cloth. Any air bubbles which may have formed can be removed by gently squeezing them out to the edges of the decal.





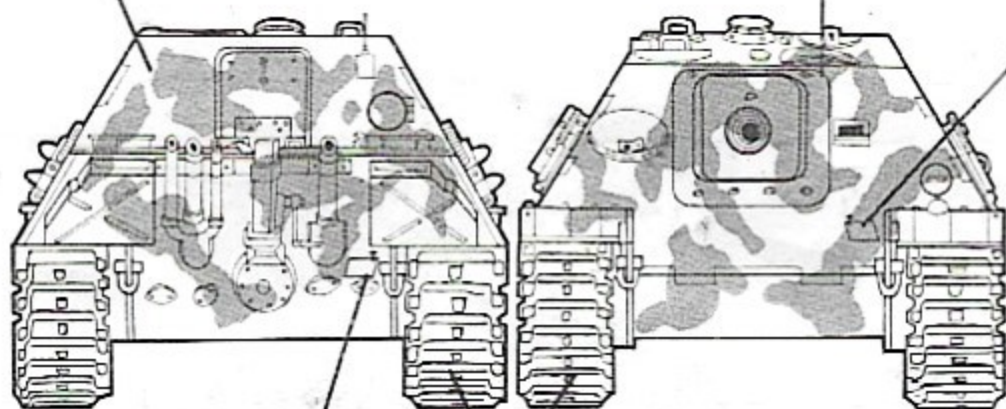


JAGDPANTHER



SAND
121 PALE STONE
BEIGE
BLAU/GRAU
CRÈME
SANDFARG
ARENA
SABBIA
FS - 33531

DARK GREEN
30/M3 DARK GREEN
VERT FONCE
DUNKELGRÜN
DONKERGRÖEN
MÖRKGRÖN
VERDE OSCURO
VERDE SCURO



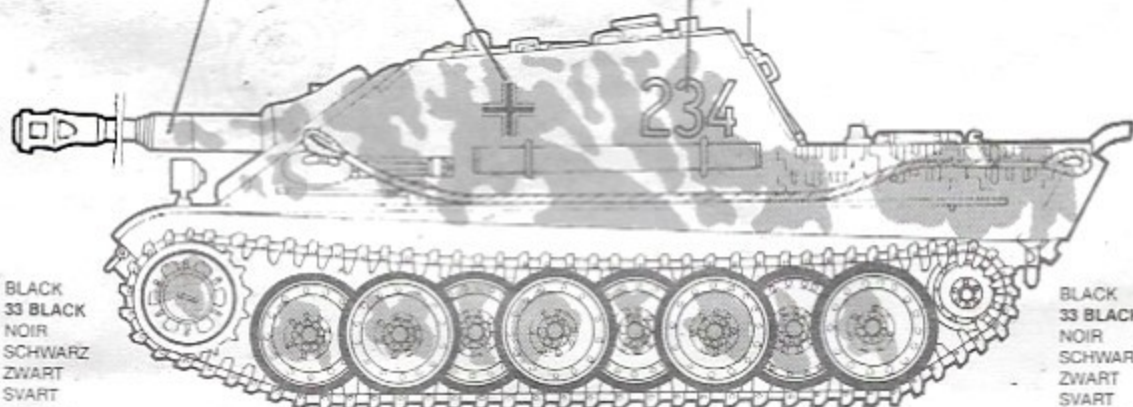
3

BURNISHED METAL
53 GUN METAL
METAL BRUNI
BRUNIERTER METALL
IJZERKLEUR
OXIDERAD METALL
METAL BRUNIDO
METALLO BRUNITO

2

4

1



BLACK
33 BLACK
NOIR
SCHWARZ
ZWART
SVART
NEGRO
NERO

BLACK
33 BLACK
NOIR
SCHWARZ
ZWART
SVART
NEGRO
NERO