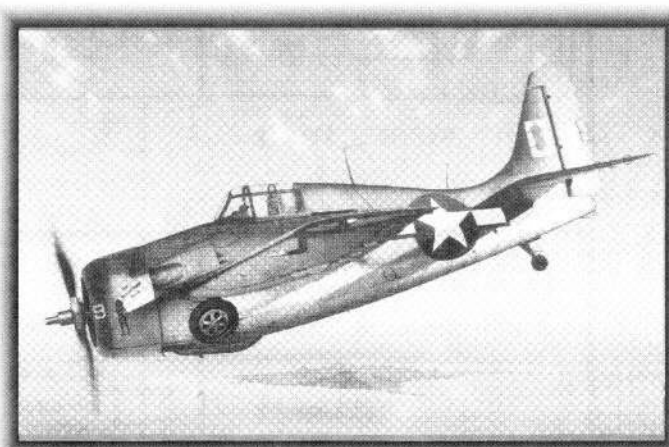


General Motors

FM-2 Wildcat/Martlet VI



By late June 1942, Grumman found itself hard pressed to maintain maximum production of F4Fs and TBF Avengers, while also beginning to tool-up the F6F Hellcat production lines. As a result, production of the Wildcat was transferred to five East Coast General Motors plants. These were named Eastern Aircraft Division (of GM).

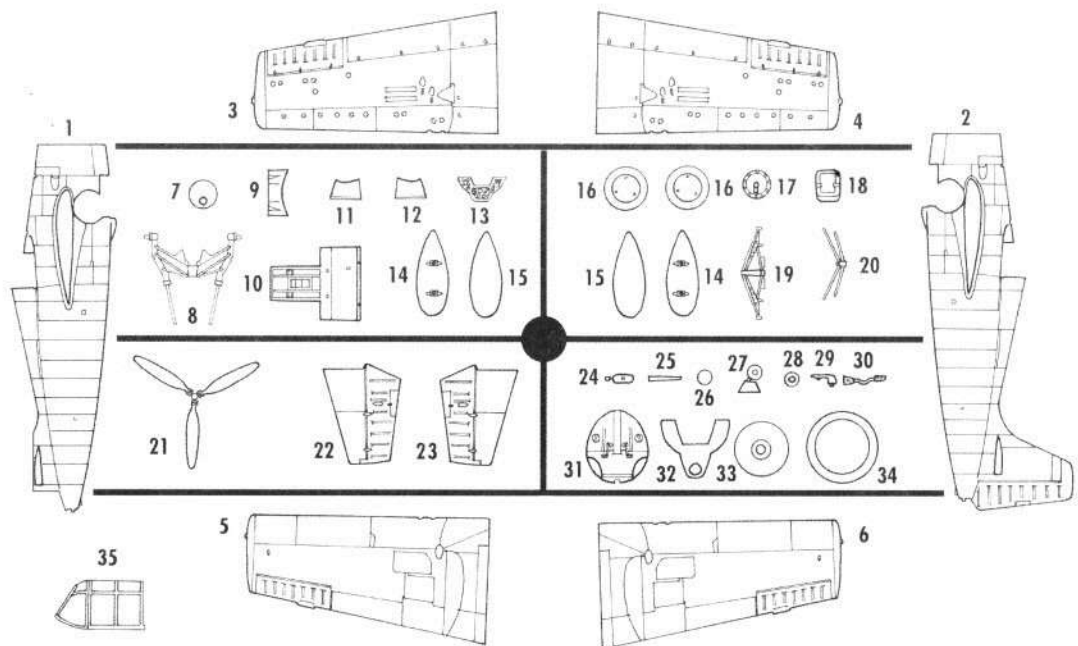
Two prototypes of XF4F-8 were built by Grumman in May 1943. The first production FM-2 left the Eastern Aircraft production line in the middle of 1943. The FM-2 differed from the original Grumman F4F in a several ways.

The FM-2 had a lighter and more powerful Wright R-1820 radial engine. Additionally, the plane could carry four rather than six .50 caliber machine guns and was often fitted with HVARs (High-Velocity Aircraft Rockets) for use against ground targets, ships or surfaced submarines. The FM-2 also had a larger tail than the standard F4F to counter the increased torque produced by the Wright engine.

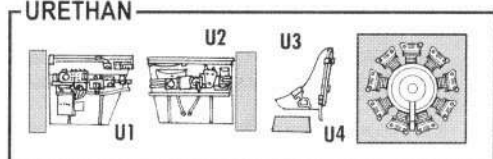
The General Motors FM-2 was the most numerous Wildcat variant produced. From mid-1943 to the end of the war, General Motors built 4,127 FM-2s nearly 70% of all Wildcats produced. Of those, 340 planes went to the Fleet Air Arm. The U.S. Navy FM-2s operated exclusively from escort carriers (CVEs). They were used in the Atlantic, teamed with TBM "Avengers" for anti-submarine work. In the Pacific, CVEs fought against submarines too, but also used their "Avengers" and "Wildcats" to fly air cover missions for invasion forces and close air support for ground troops. Those missions produced opportunities for aerial combat against Japanese planes, and two Navy pilots achieved "ace" status in FM-2s.

Specification

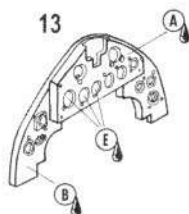
ENGINE:	Wright R-1820-56 developing 1,350 h.p.
ARMAMENT:	Four .50 cal. machine guns, six 5" HVARs
WING SPAN:	38 feet
LENGTH:	28 feet, 9 inches
HEIGHT:	11 feet, 5 inches
MAXIMUM SPEED:	322 mph
RANGE (W/ EXTERNAL TANKS):	1,350 miles
SERVICE CEILING:	35,600 feet



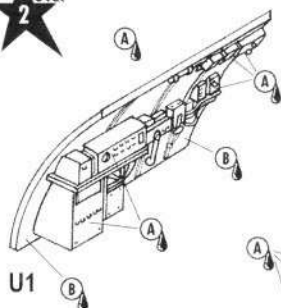
URETHAN



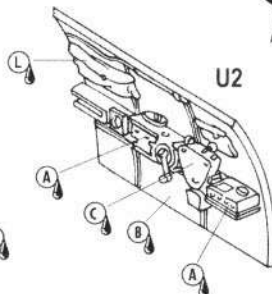
1 STEP



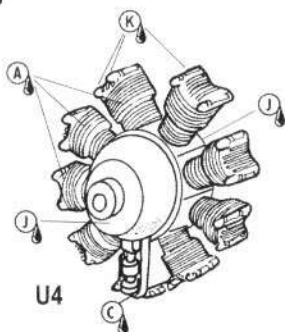
2 STEP



3 STEP



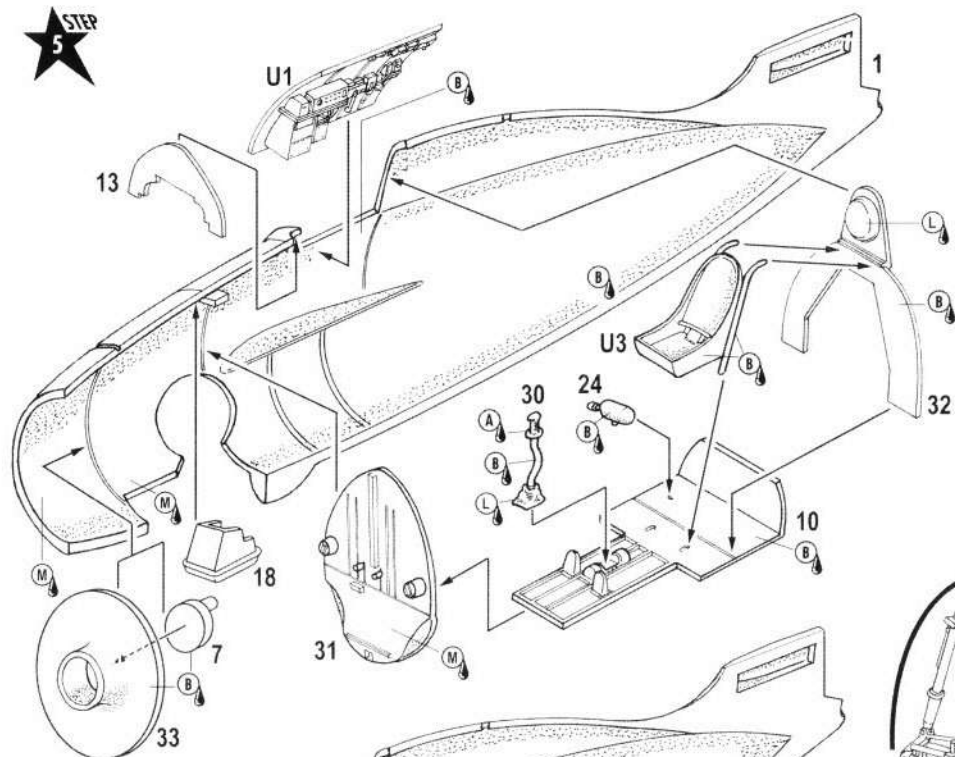
4 STEP



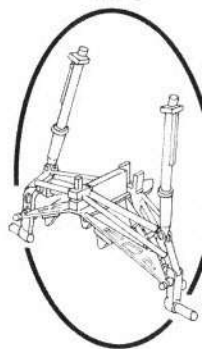
BARVA/COLOR

- A Černá/Black
- B Interiérová zelená/
Interior Green
- C Stříbrná/Silver
- D Plátno/Linen
- E Světle šedá/
Light Grey
- F Červená/Red
- G Žlutá/Yellow
- H Modrá/Blue
- I Černošedá/
Tyres Black
- J Šedá/Grey
- K Chromová/
Chrome
- L Hnědá/Brown
- M Bílá/White

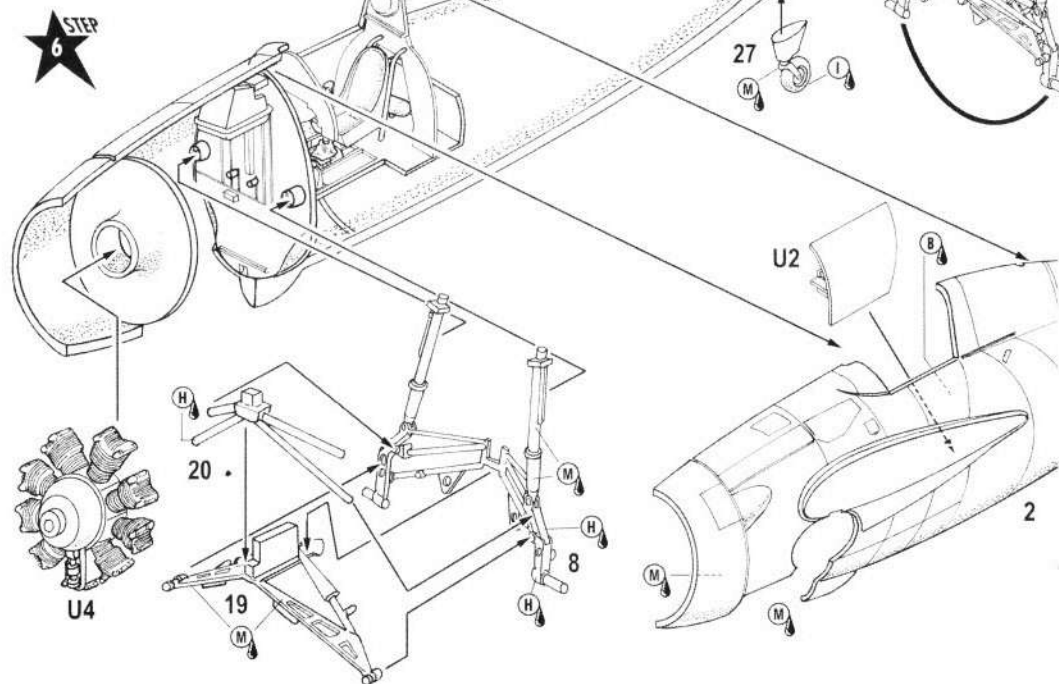
STEP
5

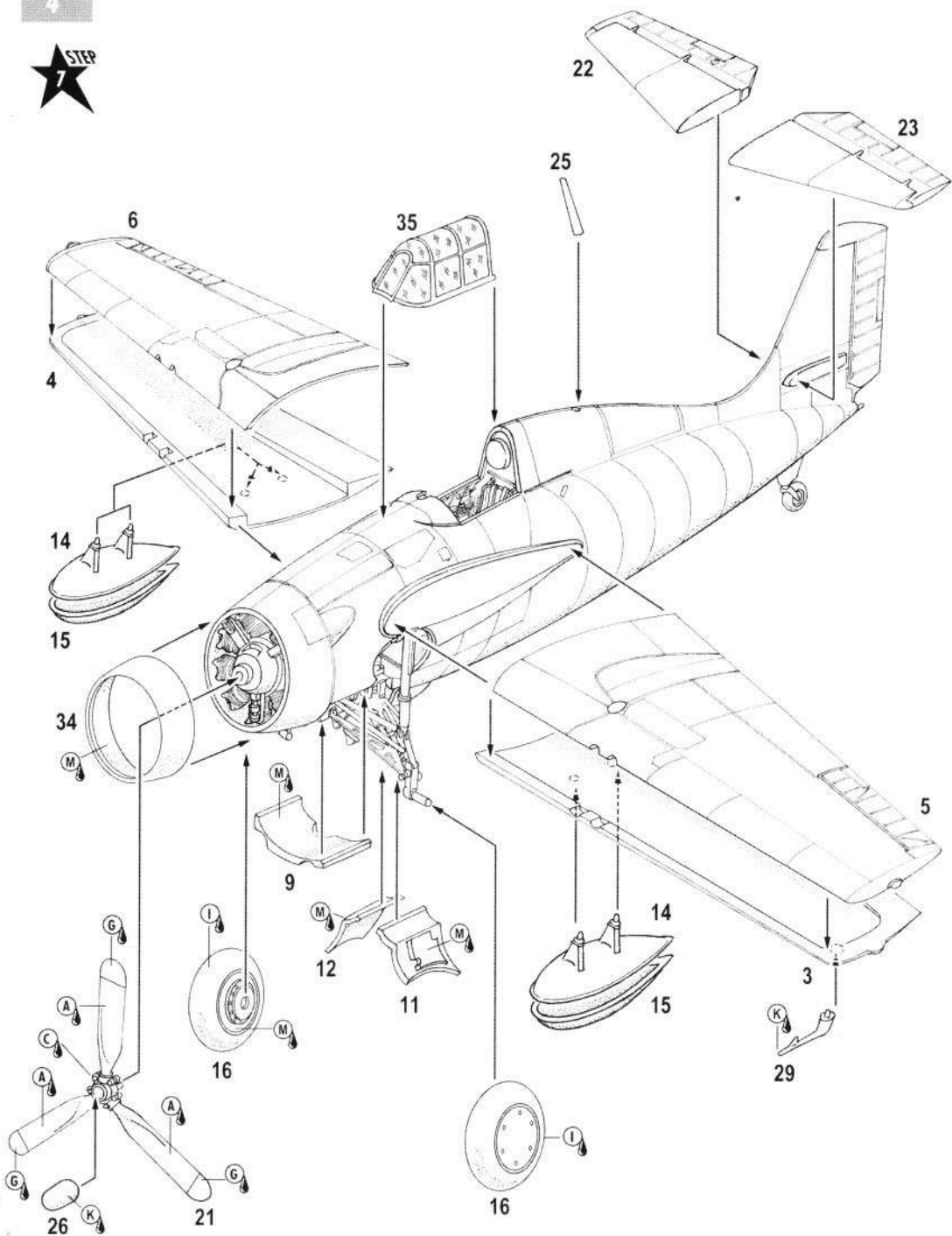


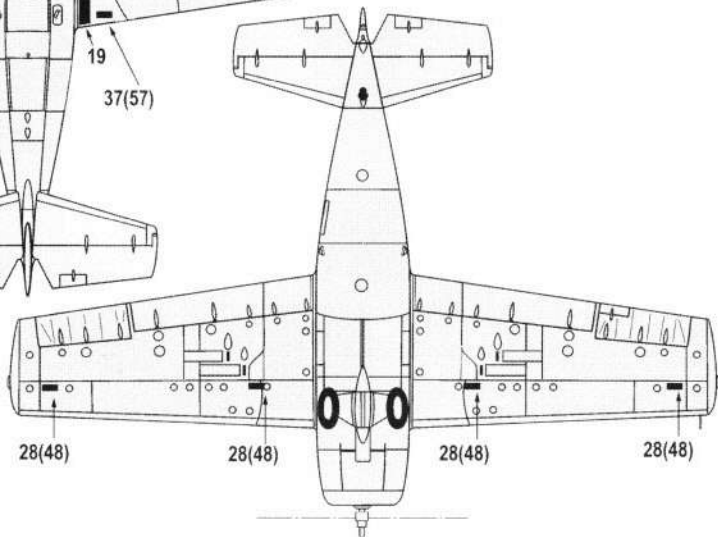
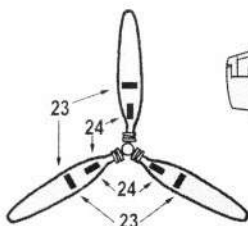
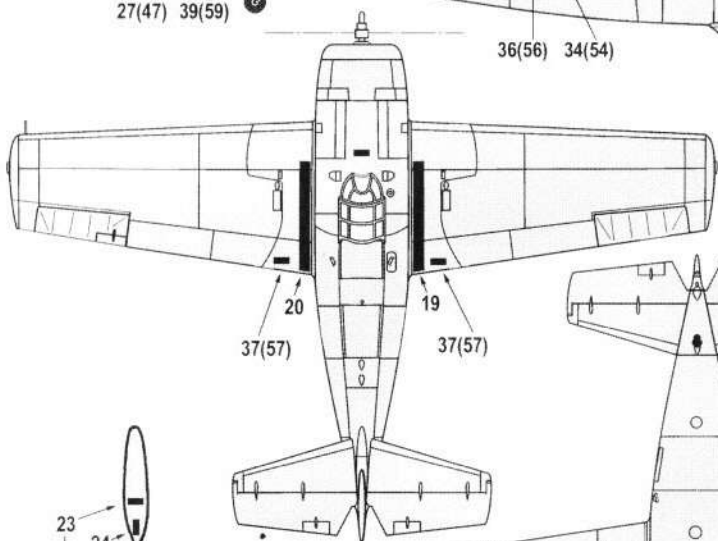
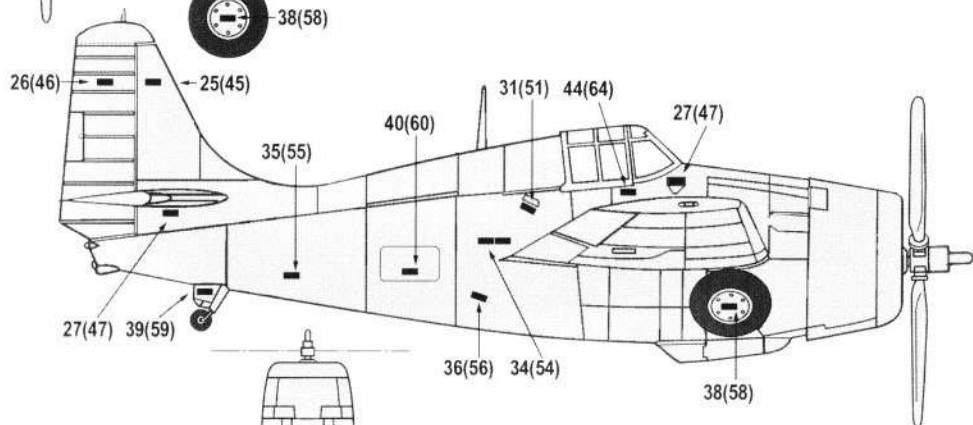
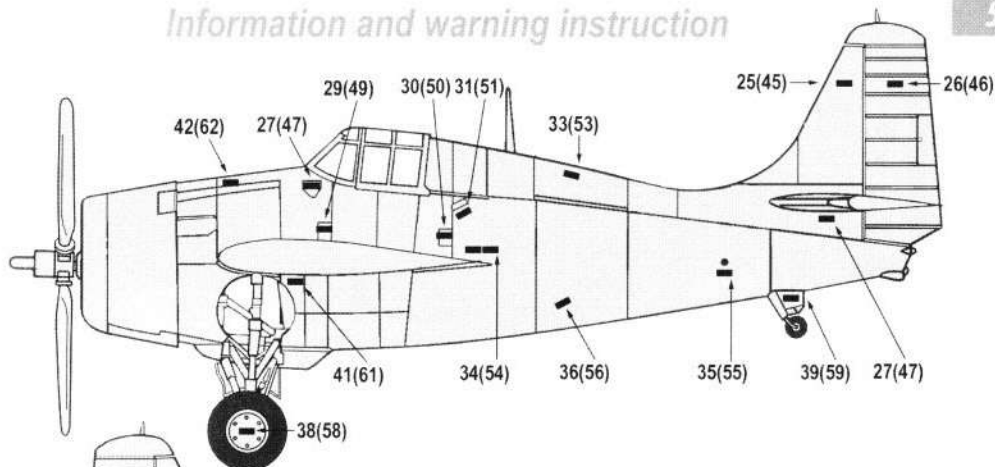
INFO

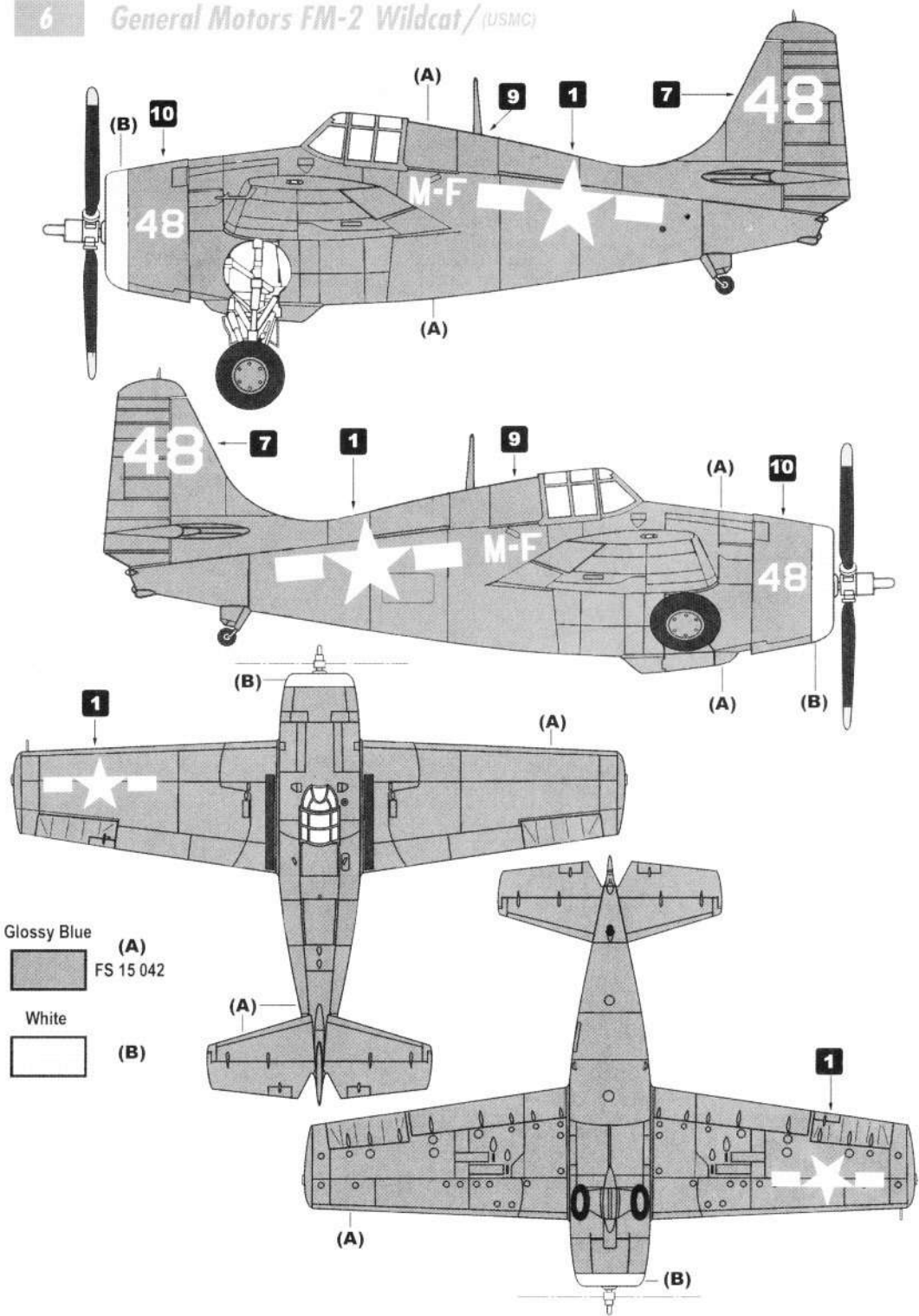


STEP
6

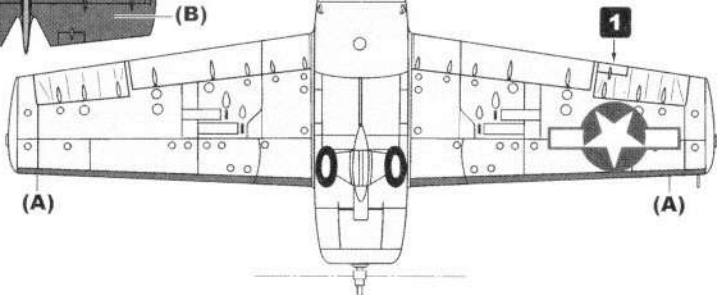
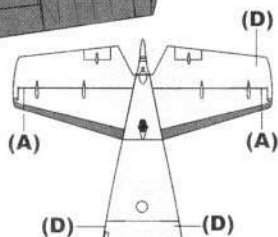
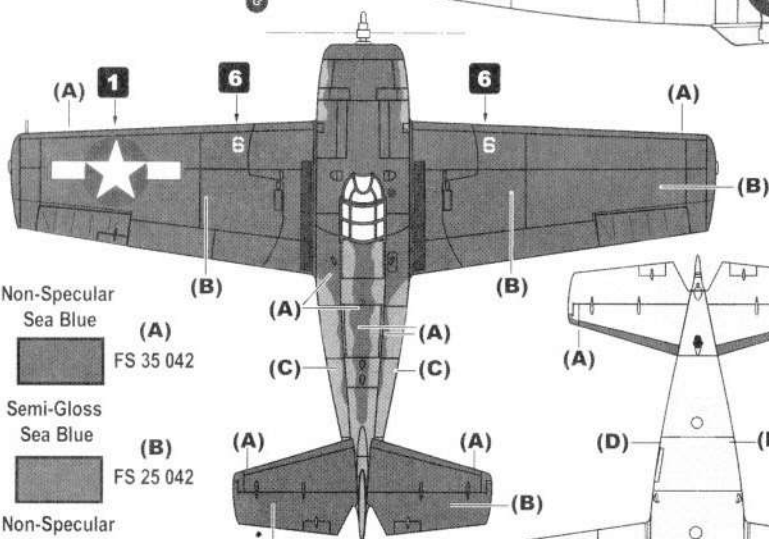
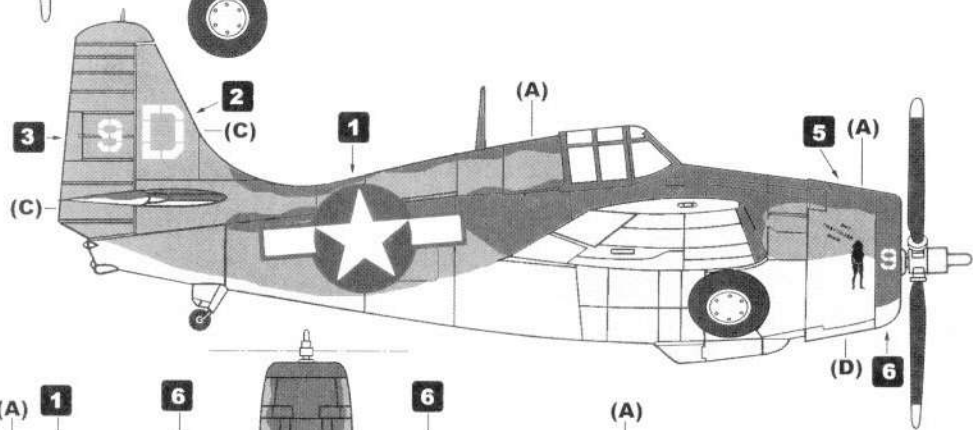
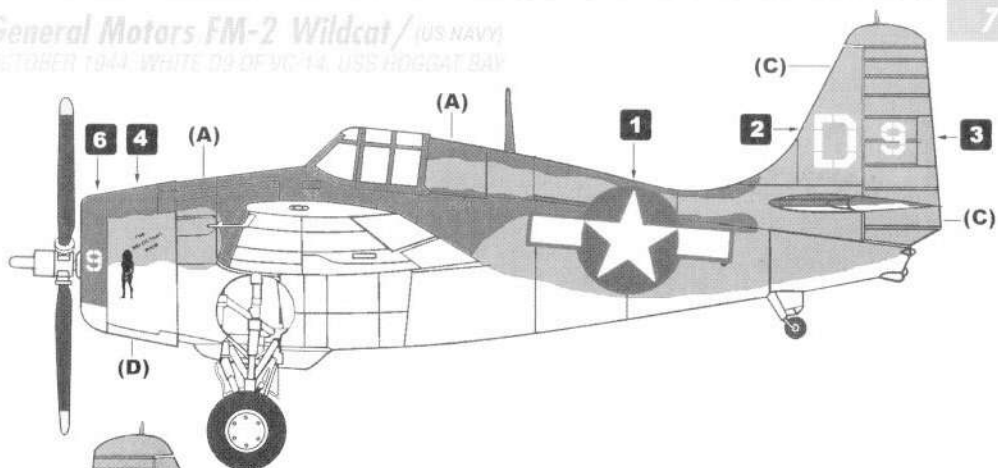




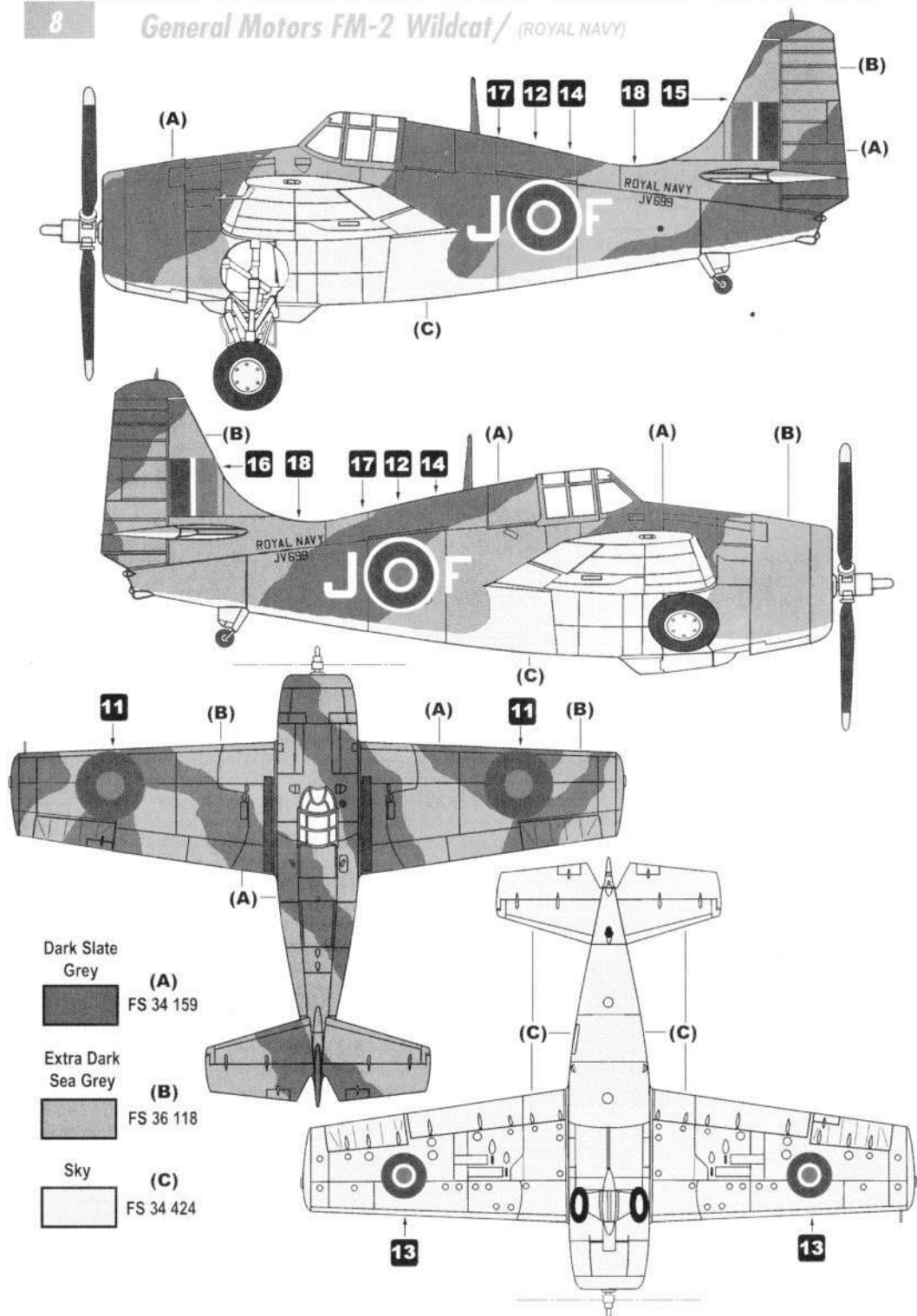




General Motors FM-2 Wildcat / (US NAVY)
 OCTOBER 1944, WHITE 09 OF VC-14, USS HOGGAT BAY



- Non-Specular Sea Blue (A) FS 35 042
- Semi-Gloss Sea Blue (B) FS 25 042
- Non-Specular Intermediate Blue (C) FS 35 164
- Non-Specular Insignia White (D) FS 37 875





1



1



11



11



12



15



12



13



16



13

ROYAL NAVY
JV699

18

ROYAL NAVY
JV699

18



2



4

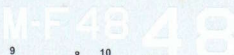
5



3



6



9

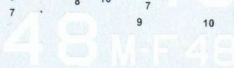
8

10

7

10

8



9

10



21



19

20



25	26	27	28	29	30	45	46	47	48	49	50			
31	32	33	34	35	36	37	38	51	53	54	55	56	57	58
39	40	41	42	43	44	59	60	61	62	63	64			



General Motors FM-2 Wildcat

Printed by Techmod