

AZ model
Plastic kits

Breda 65 A-80

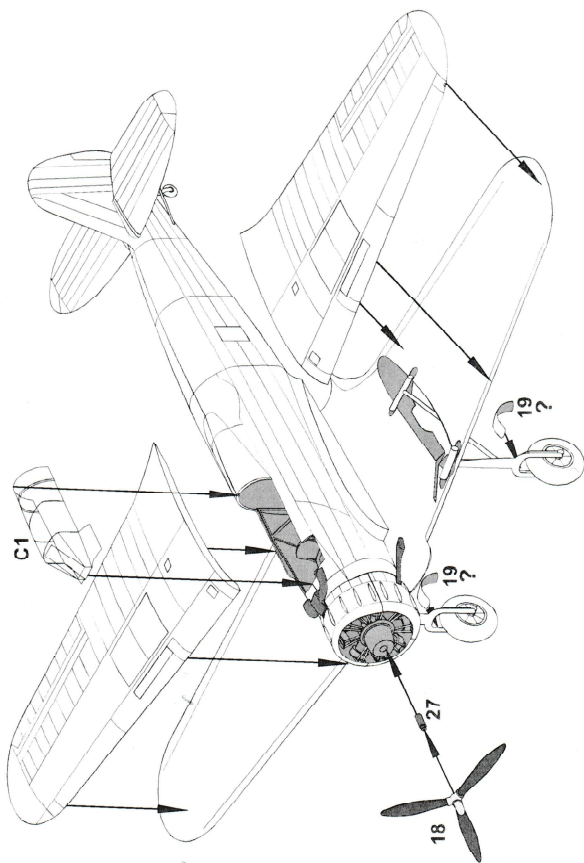
Plastic model

scale : 1/72

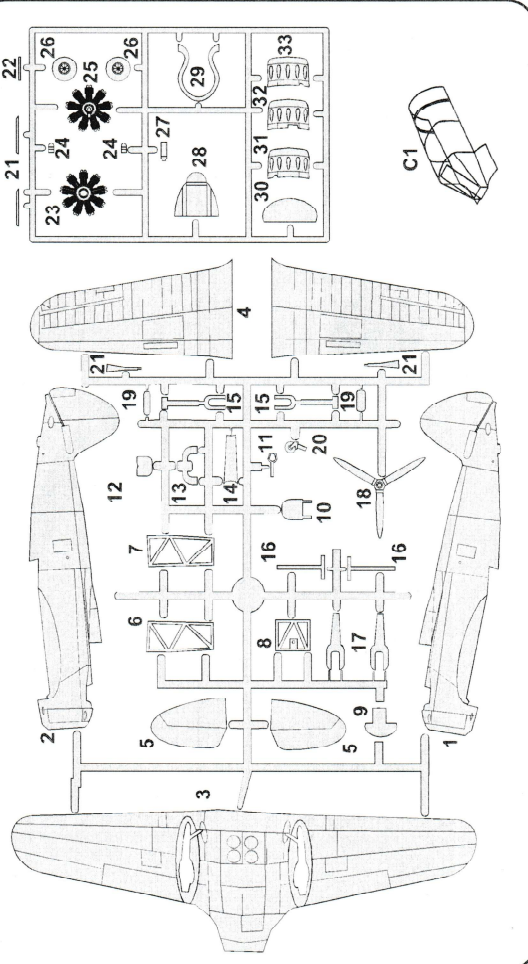
History note

The Breda Ba.65 was an Italian all-metal single-engine, low-wing monoplane used by Aviazione Legionaria during the Spanish Civil War and Regia Aeronautica in the first half of World War II. It was the only Italian ground-attack aircraft that saw active service in this role. It saw service almost exclusively North African and Middle-Eastern theatre. In addition to more than 150 aircraft operated by the Italian forces, a total of 55 were exported and used by the air forces of Iraq, Chile and Portugal.

An evolution of Ba.64, the Ba.65 was designed by Antonio Parano and Giuseppe Parzeri. It was a single-seat, all-metal, low-wing cantilever monoplane with air-retracting main undercarriage. Like its predecessor, it was intended to undertake aeroplano di combattimento multiple roles as a fighter, attack and reconnaissance aircraft. The Ba.65 carried wing-mounted armament of two 12.7 mm (0.5 in) and two 7.7 mm (0.303 in) Breda-SAFAT machine guns, with internal stowage for a 200 kg (440 lb) bombload in addition to external ordnance that could total 1,000 kg (2,200 lb). The prototype, which was first flown in September 1935, like the initial production aircraft, used the 522 kW (700 hp) Gnôme-Rhône K-14 radial engine produced under license by Isotta Fraschini. Starting from the 82nd aircraft, the more powerful Fiat A.80 RC.41 18-cylinder, twin-row radial engine with a takeoff rating of 746 kW (1,000 hp) was adopted. Production ceased in July 1939 after 218 aircraft were built by Breda and Caproni.

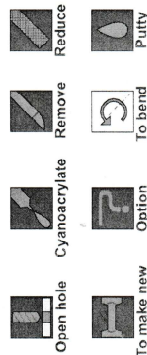


10



11

Symbols



Colour name	Humbrol	Colour name	Humbrol
A Black	H33 G	Silver	H11
B White	H34 H	Red Brown	H100
C Interior Green	H226 I	Red	H132
D Gunmetal	H53 J	Tyre	H85
E Brown	H186 K	Rust	H113
F Aluminium	H56		

