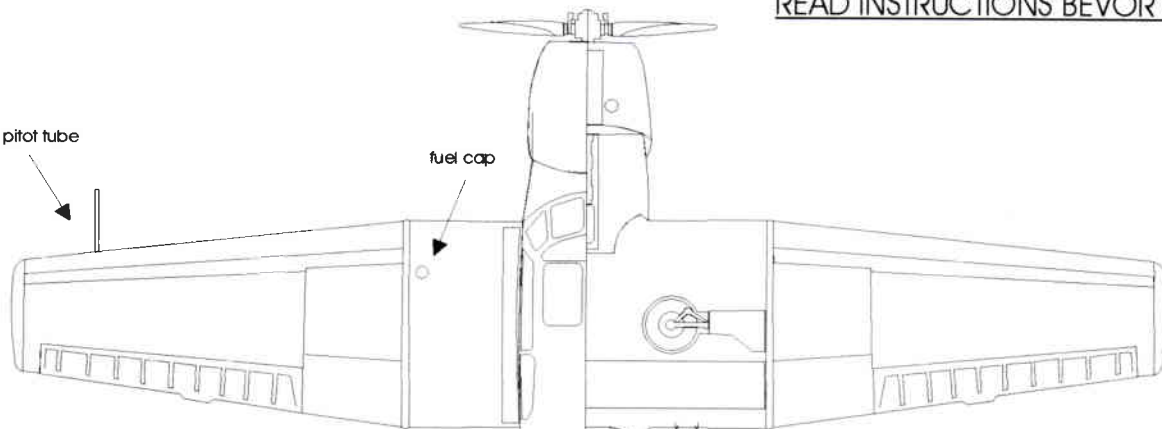


READ INSTRUCTIONS BEVOR STARTING

pitot tube

fuel cap



QK-18T

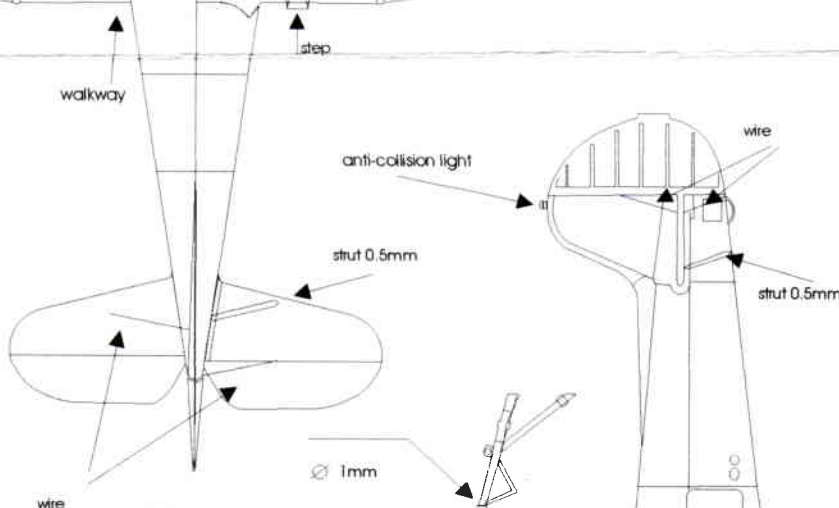
ATTENTION * VORSICHT

DECALS ARE PRINTED WITH LASER PRINTER.
HANDLE WITH EXTREME CARE !!!
DO NOT SCRATCH OR RUB HARD.
APPLY COATING AFTER APPLYING DECAL TO MODEL

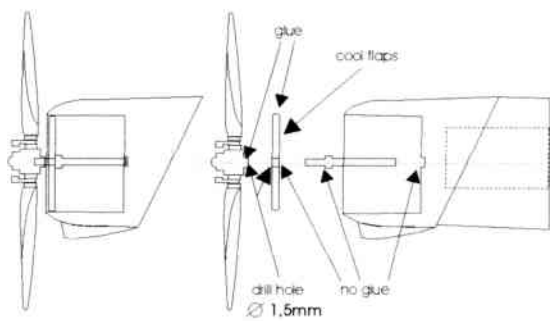
NO GUARANTEE IF DECAL IS DESTROYED!

DIE ABBZIEHBILDER WURDEN MIT EINEM
LASERDRUCKER HERGESTELLT.
SIE SIND NICHT ABRIEBFEST!
NACH DEM ANBRINGEN MIT FEINEM SPRÜHNEL
VERSIEGELN.

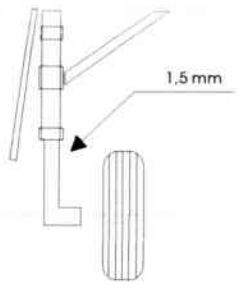
KEINE GARANTIE FÜR ZERSTÖRTE DECALS!



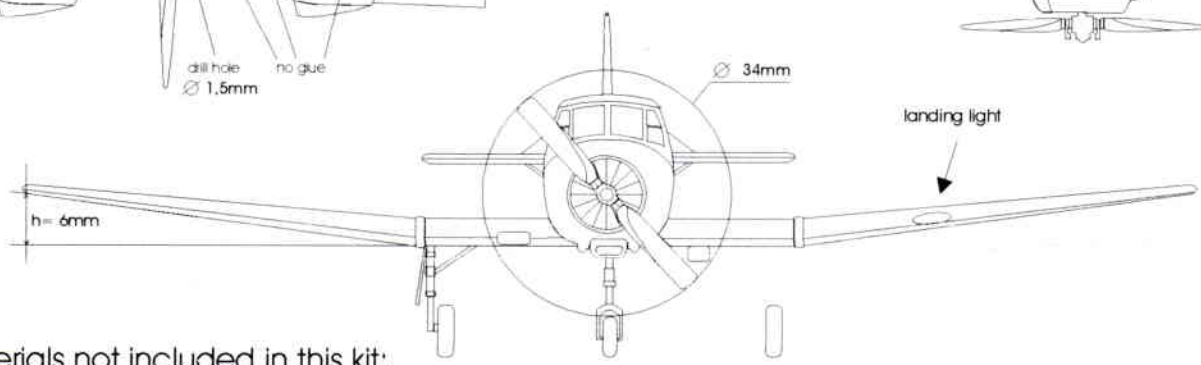
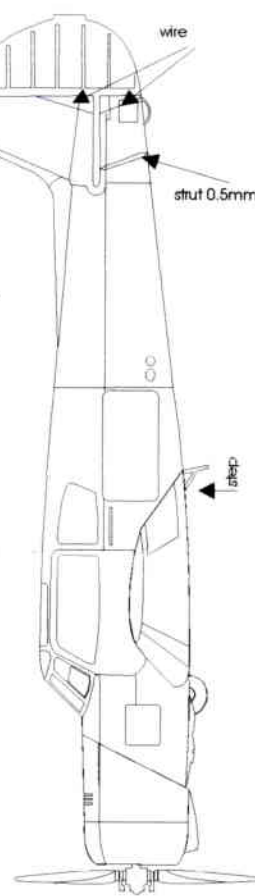
∅ 1mm



drill hole here
and ad weight
∅ 8mm



1.5mm



h = 6mm

Materials not included in this kit:

- | | | |
|-------------------------------|---------|---------|
| 1 Front gear strut | ∅1mm | L= 15mm |
| 1 Retracting strut front gear | ∅1mm | L= 10mm |
| 2 Main gear struts | ∅1.5mm | L= 20mm |
| 2 Retracting struts main gear | ∅1mm | L= 10mm |
| 2 Tail struts 1,0 mm | ∅ 0.5mm | |
| 1 Propeller shaft with stoper | ∅ 1.5mm | L= 30mm |

PROPGUN

