

T-90 Russian Main Battle Tank

俄罗斯主战坦克T-90



1/72 SCALE
Item No. VS720025

Meaning of icons

- | | | | | |
|---|--|--|---|---|
|  FILL HOLE
填平孔洞 |  OPEN HOLE
钻出孔洞 |  OPTIONAL
可选择使用 |  2 SETS NEEDED
同样的制作二组 |  REMOVE
切除 |
|  BE CAREFUL
小心注意 |  APPLY DECAL
贴上水贴 |  BEND
曲折 |  DO NOT CEMENT
不用粘接 |  INSTANT GLUE
速干胶
瞬間接着剂 |

CAUTION:

1. When you use glue or paint, do not use near a open flame, and sue in a well-ventilated room.
2. Cut the parts off properly and throw waste parts into dustbox at once.
3. Keep all parts out of small children. Children must not be allowed to put any parts in their mouths, or pull plastic bags over their head.
4. Do not play with the parts for any other purpose, as some parts may be to sharp. More caution and care needed for families with infants.

注意:

1. 當組裝模型時應遠離火種及在空氣流通的房間內進行。
2. 廢置膠料應掉棄在環保回收的垃圾箱內。
3. 由於模型套件有許多細小零件，請勿讓小孩接觸以免產生誤吞之危險。也別讓小孩把包裝膠件之透明塑料袋套在頭上，這很容易引致窒息。
4. 由於零件有不少尖角部份，請勿把玩及作其他用途，請注意及小心保護你的家人。

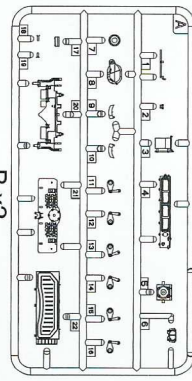
CORRECT METHOD FOR APPLYING DECALS:

1. Clean model surface with wet cloth.
2. Cut out of decal sheet and dip them in cold water for 15 seconds.
3. Place decal on proper position on model.
4. Slide off base paper leaving decals on model with wet finger tip.
5. Adjust decals to exact position, push out excess water under decal with soft cotton cloth.

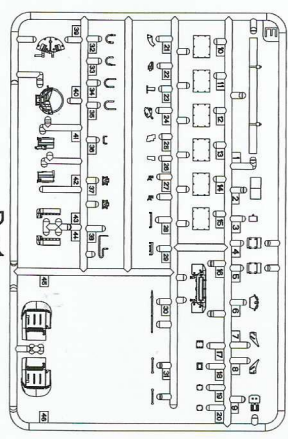
正確貼上水貼紙的方法:

1. 將模型表面擦幹淨。
2. 將貼紙剪下泡入清水中約15秒。
3. 將泡濕之貼紙取出置放欲貼處旁。
4. 用指尖輕推貼紙表面使其滑出底紙。
5. 將貼紙調整至適當位置并輕擦拭水份。

A x1

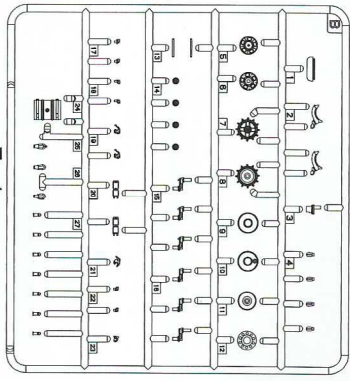


E x1

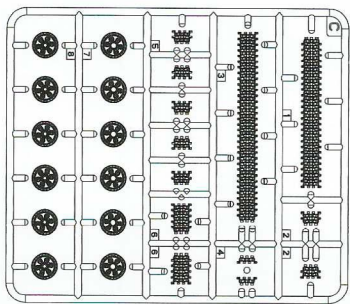


Turret x1

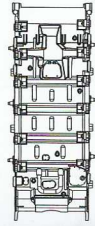
F x1



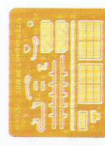
C x2



Lower hull x1



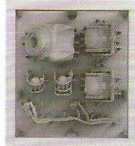
PE x1



Decal x1



3D printed parts
高精度3D打印件

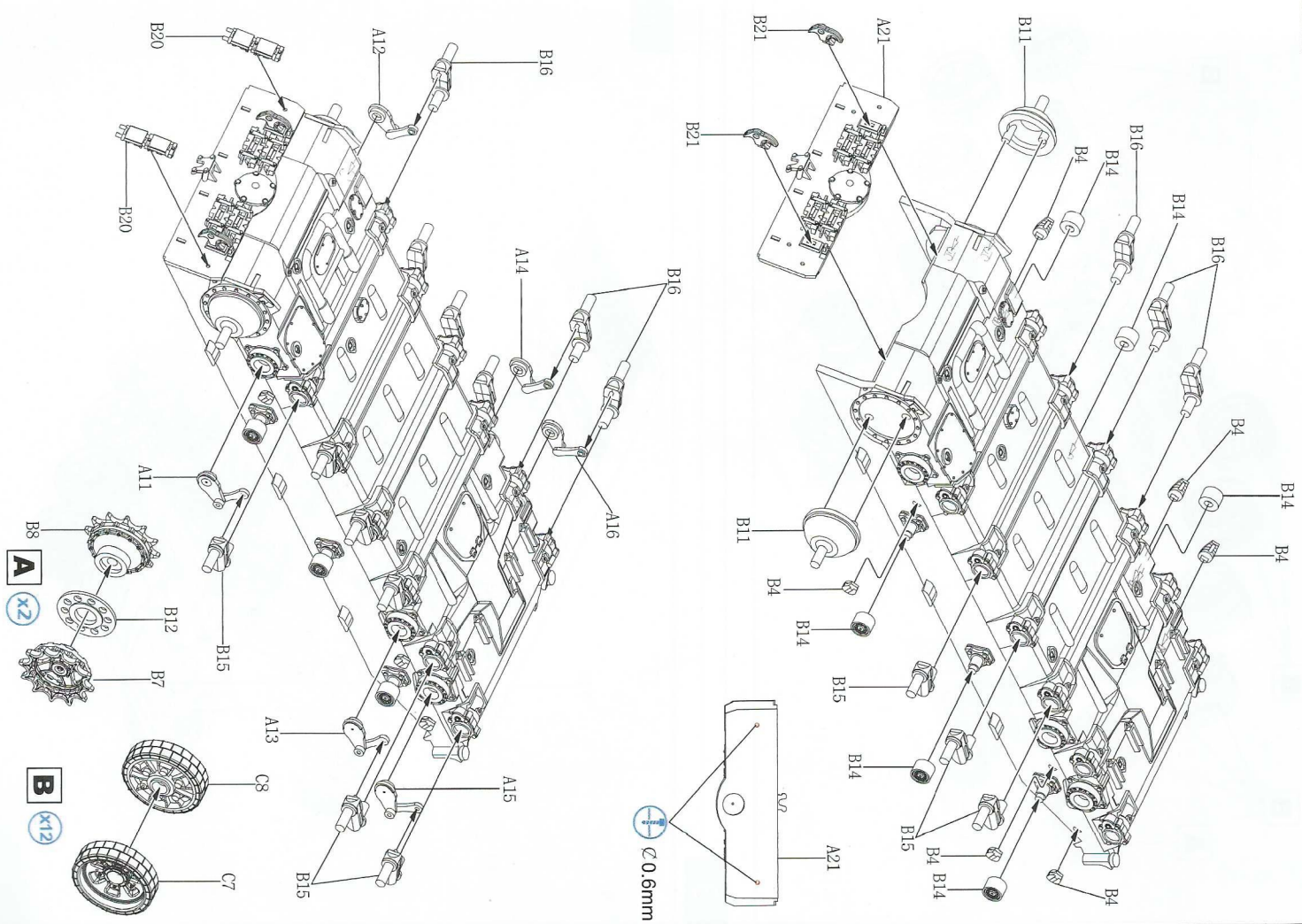


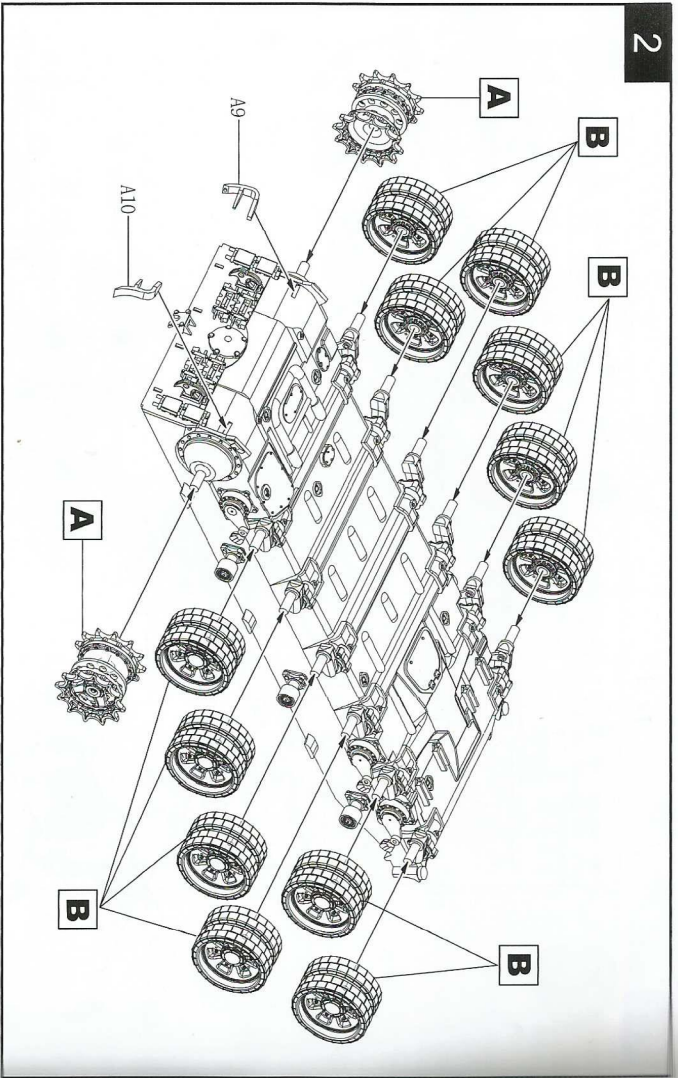
Steel tow cable x 2
钢缆



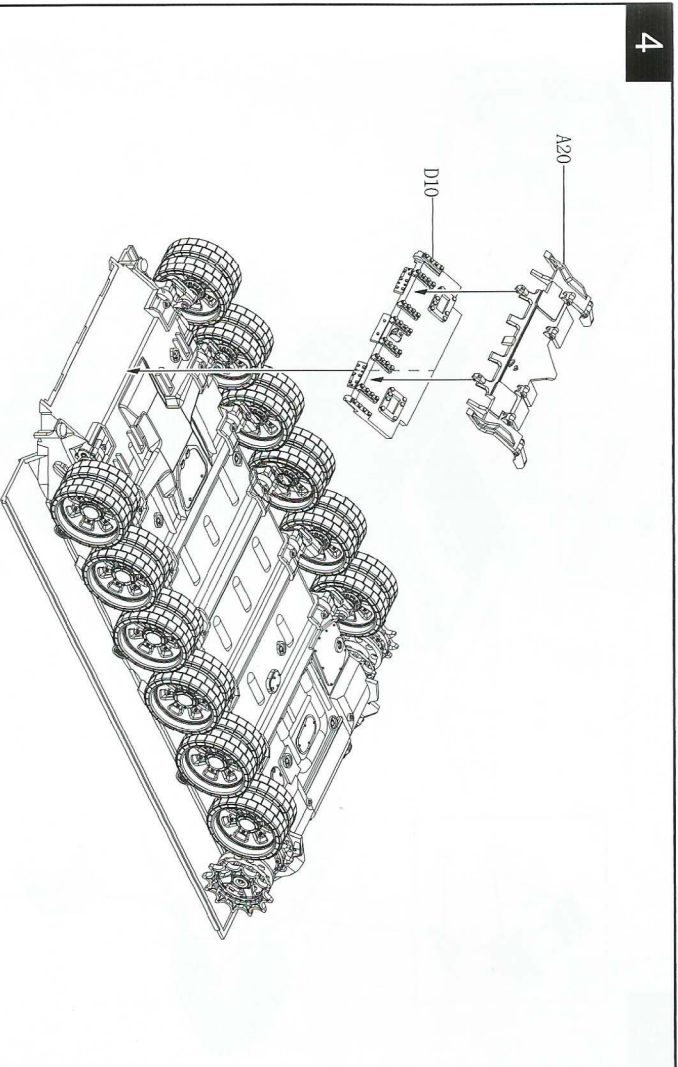
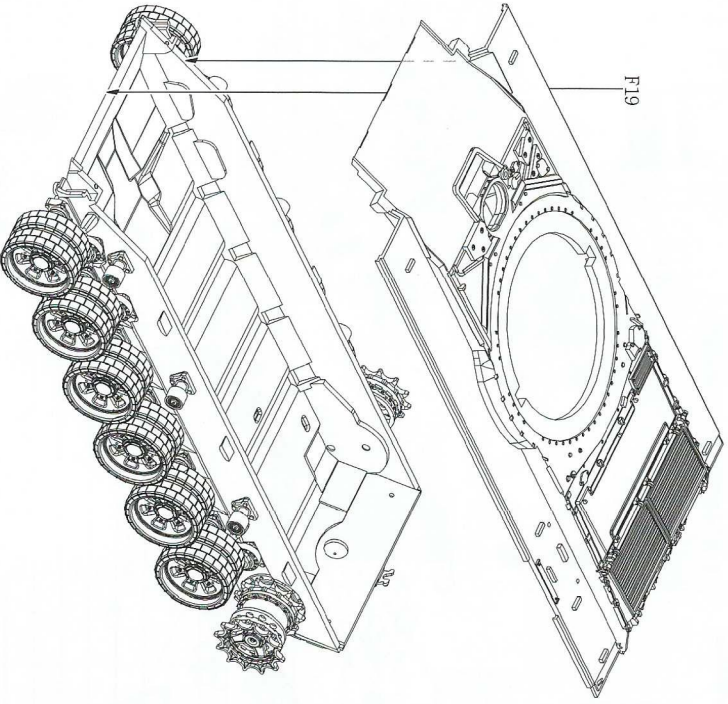
Colour	MR.Hobby	Hobby Color	Humbrol	Tamiya
A Wood Brown	H-37	C-43+C-58(70/30)	186	/
B Steel	H-18	C-28	53	X-10
C Dark Yellow	H-313	C-39	84	XF-60
D Dark Green	/	C-123	88	XF-89
E Nato Black	H-77	C-521	33	XF-69
F Tire Black	H-77	C-137	85	XF-85
G Bright Blue	H-15	C-65	14	/
H Light Green	H-303	C-303	156	/
I Gun Metal	H-18	C-28	53	X-10

1

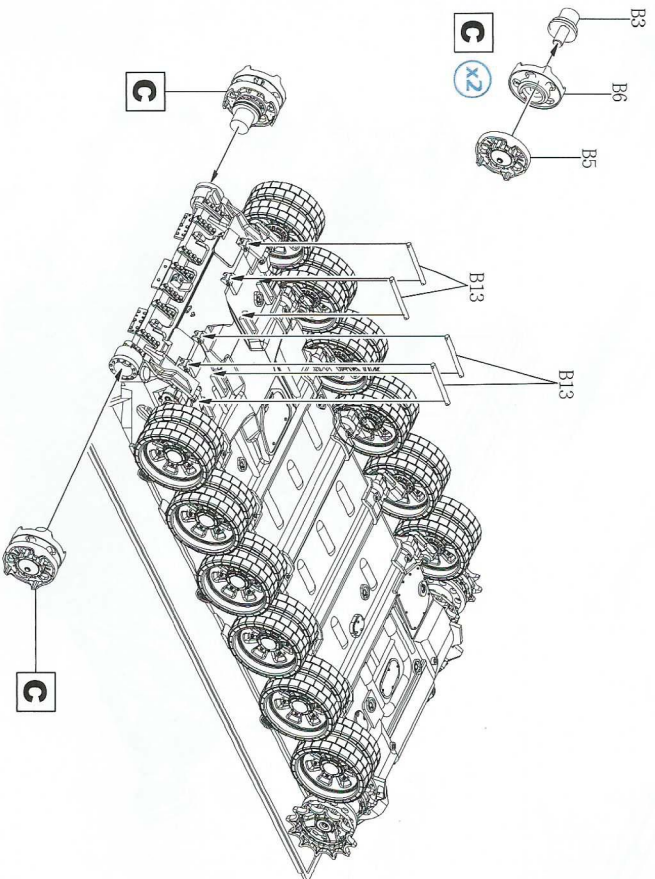


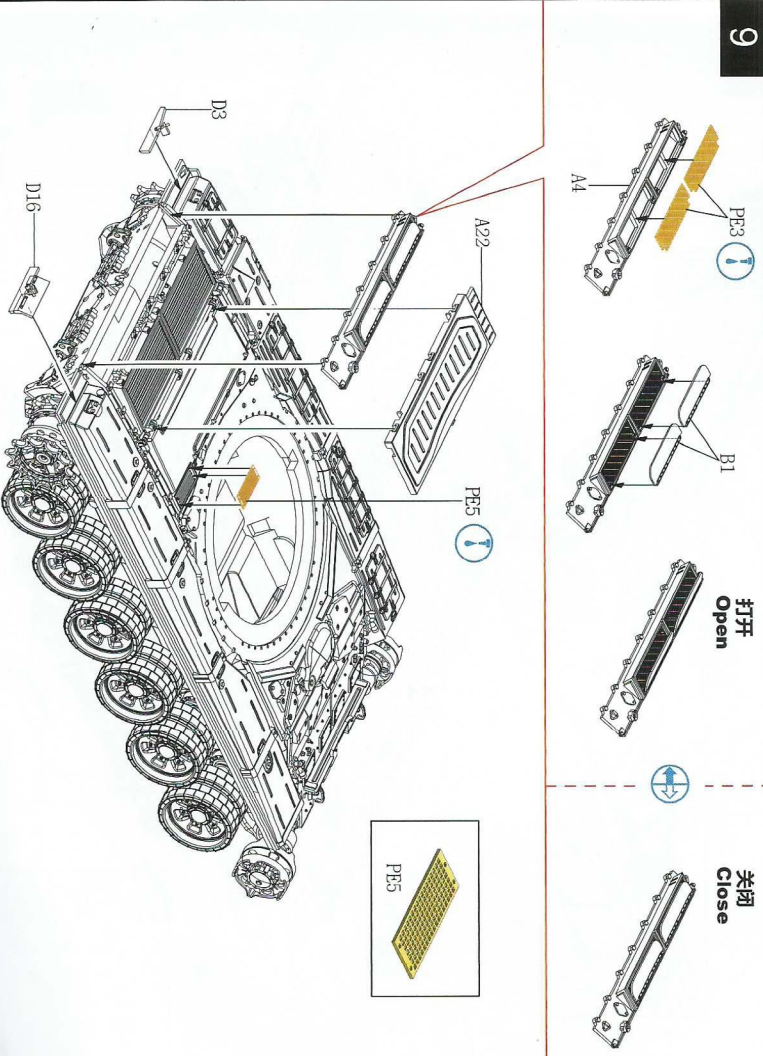
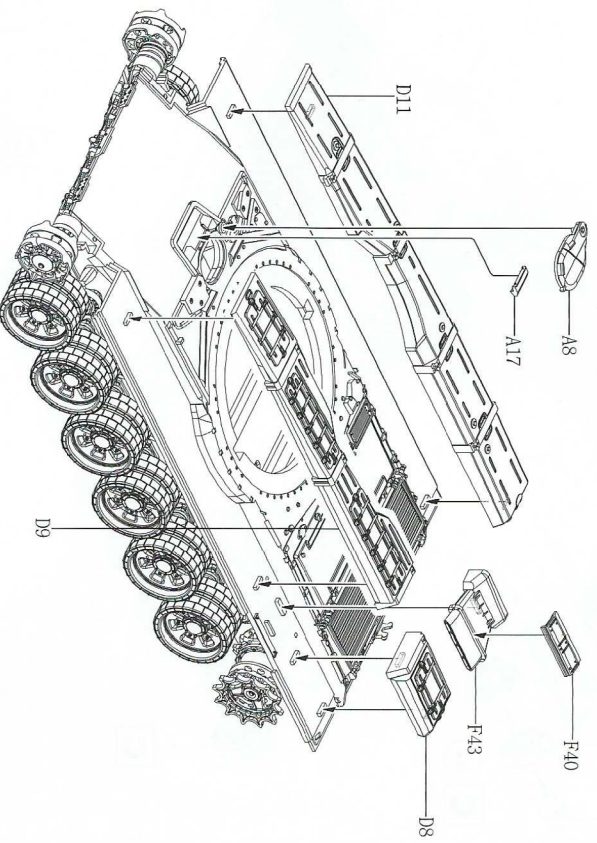
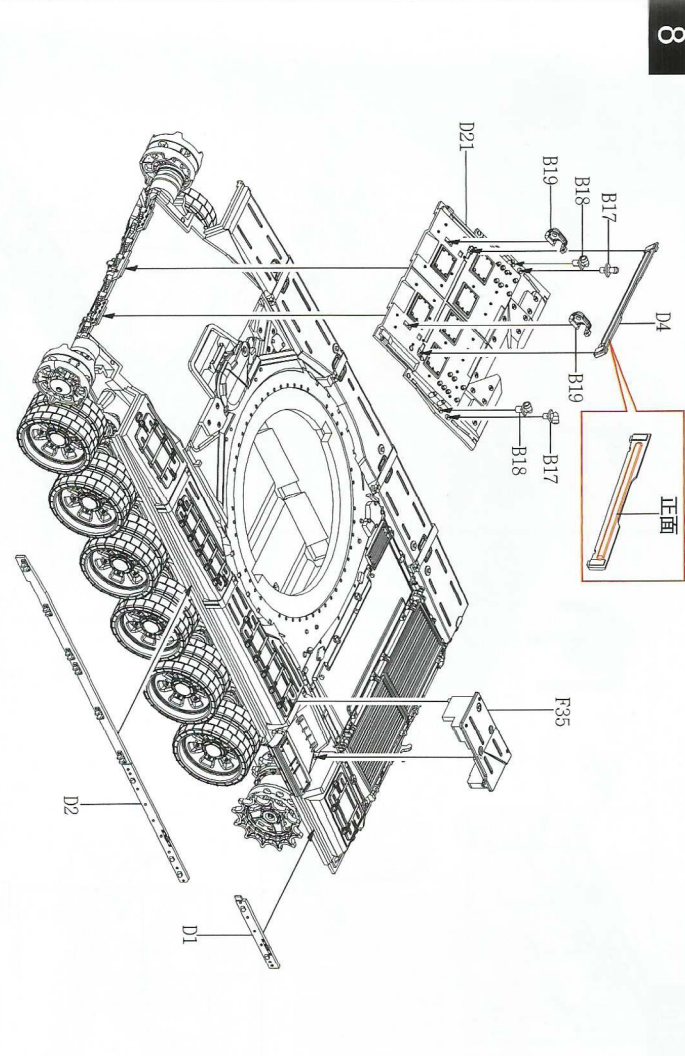
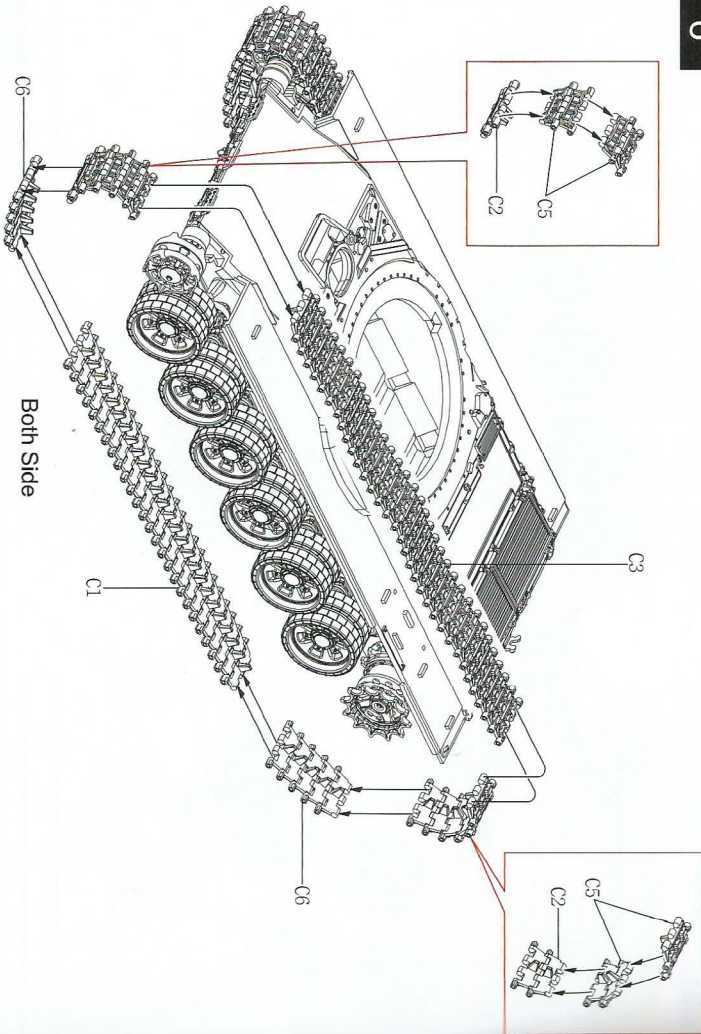


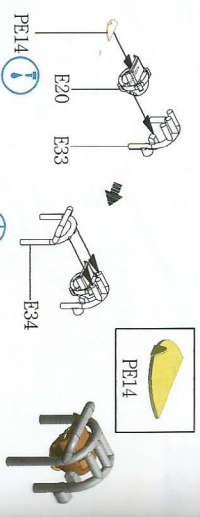
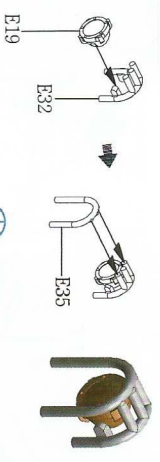
3



5





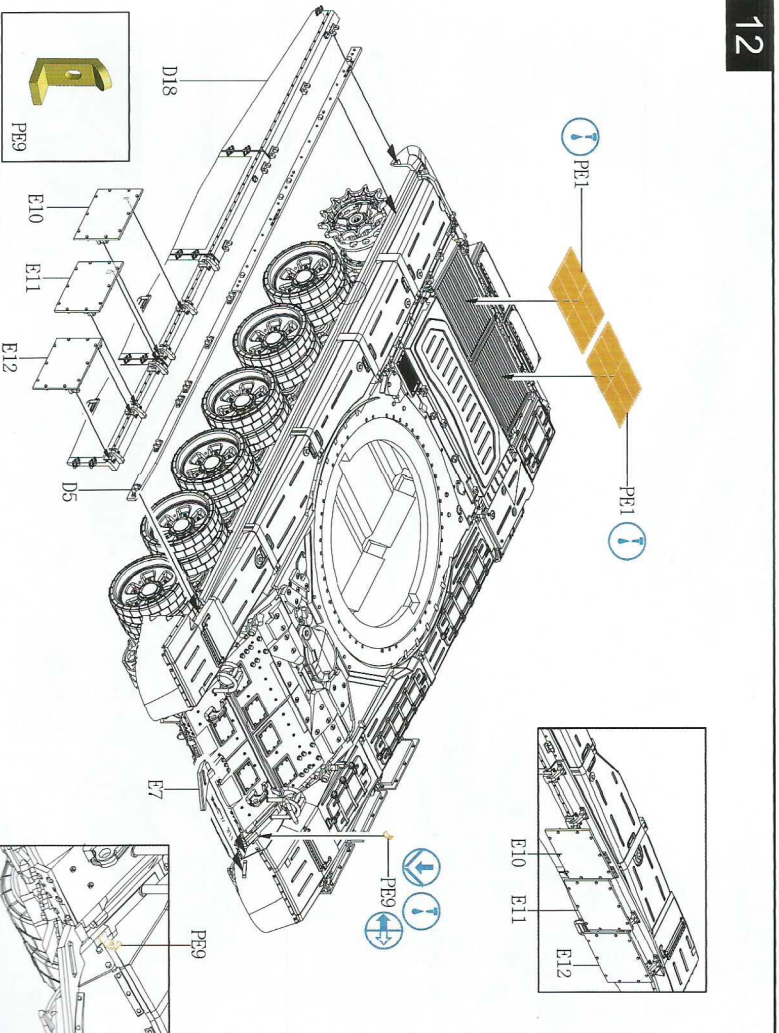
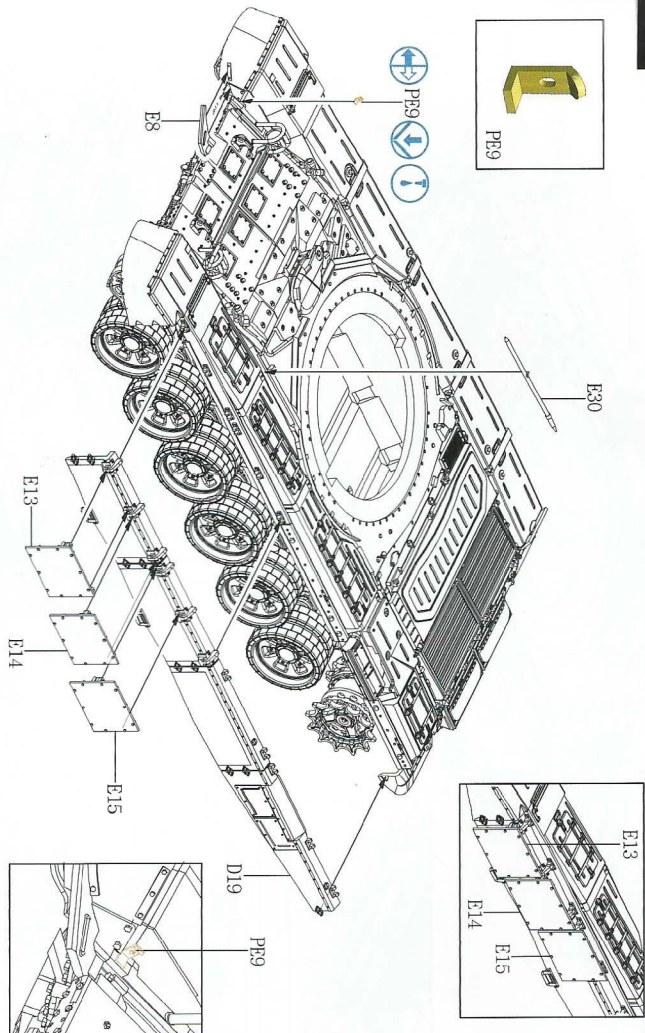
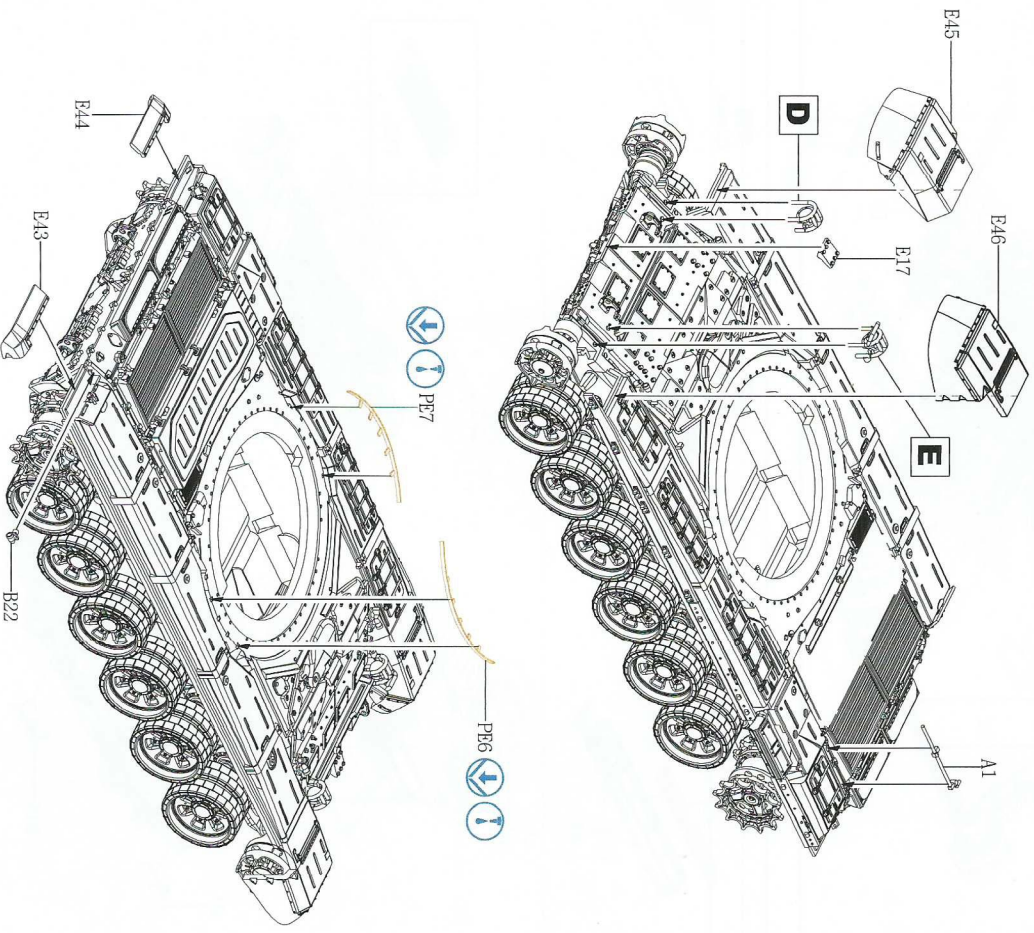


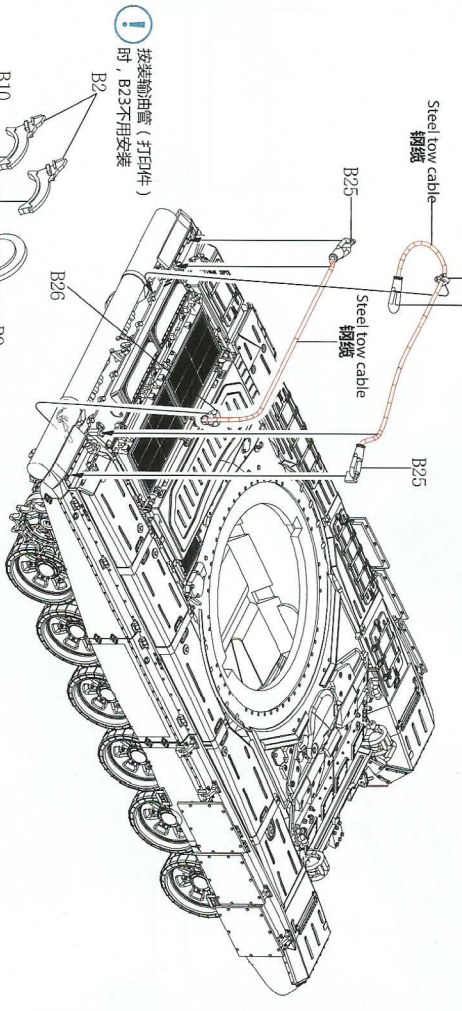
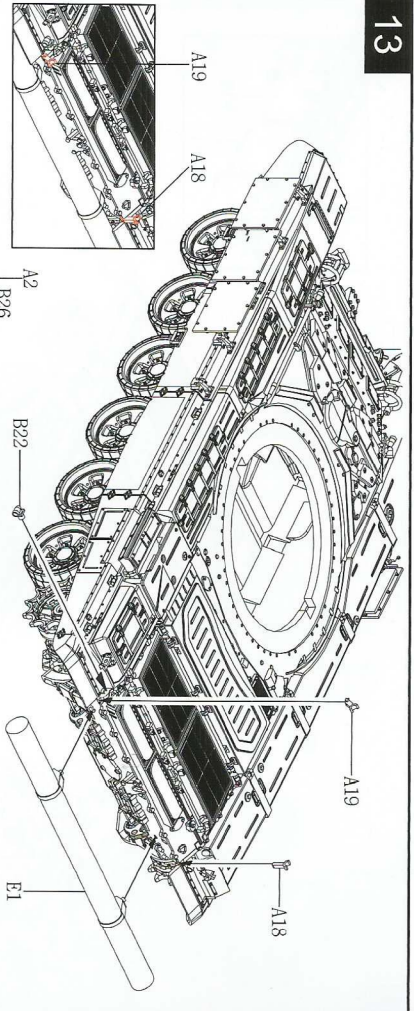
3D printed parts
高精度3D打印件

D

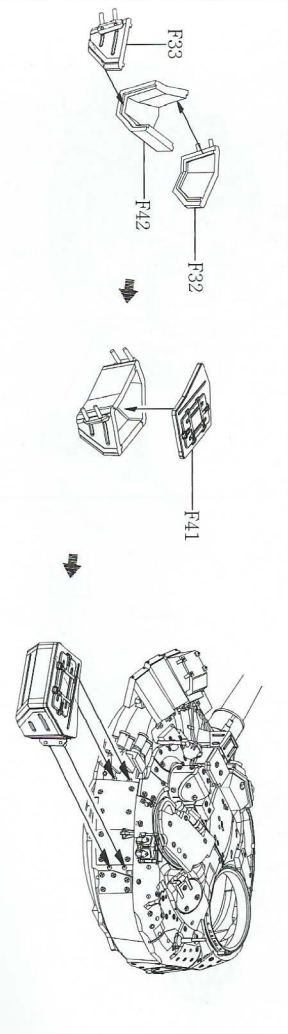
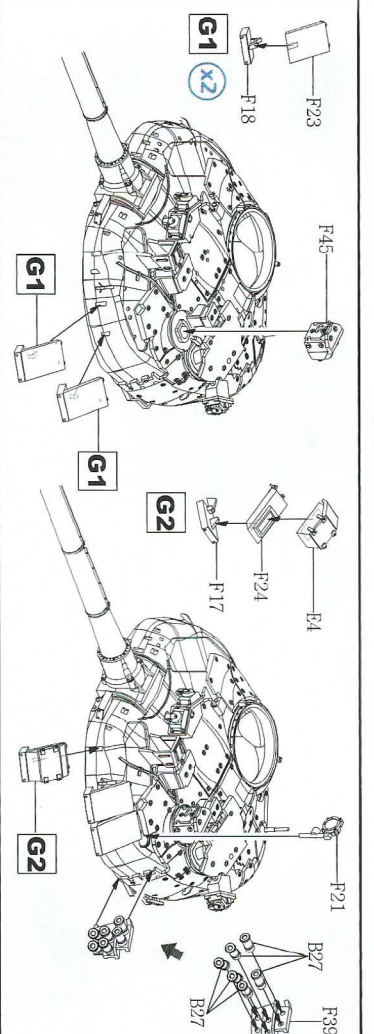
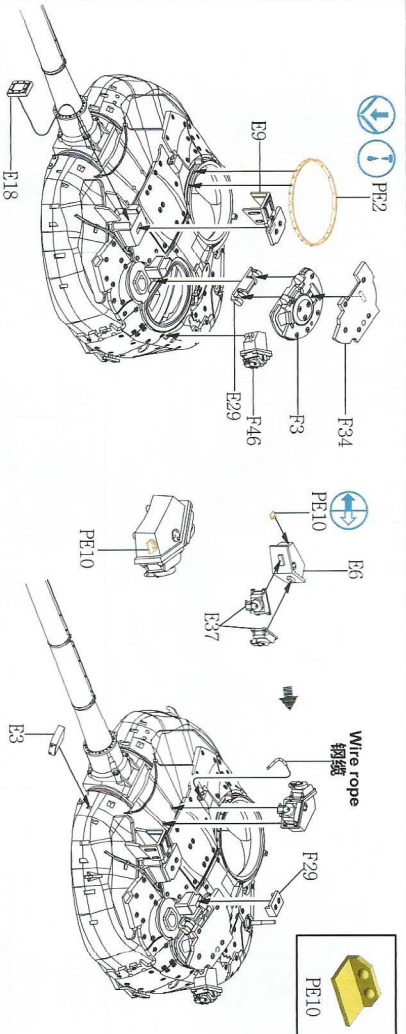
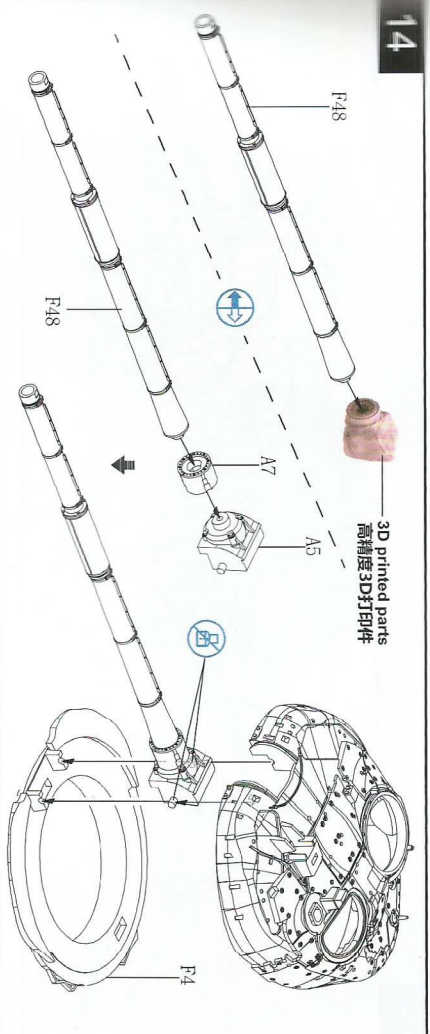
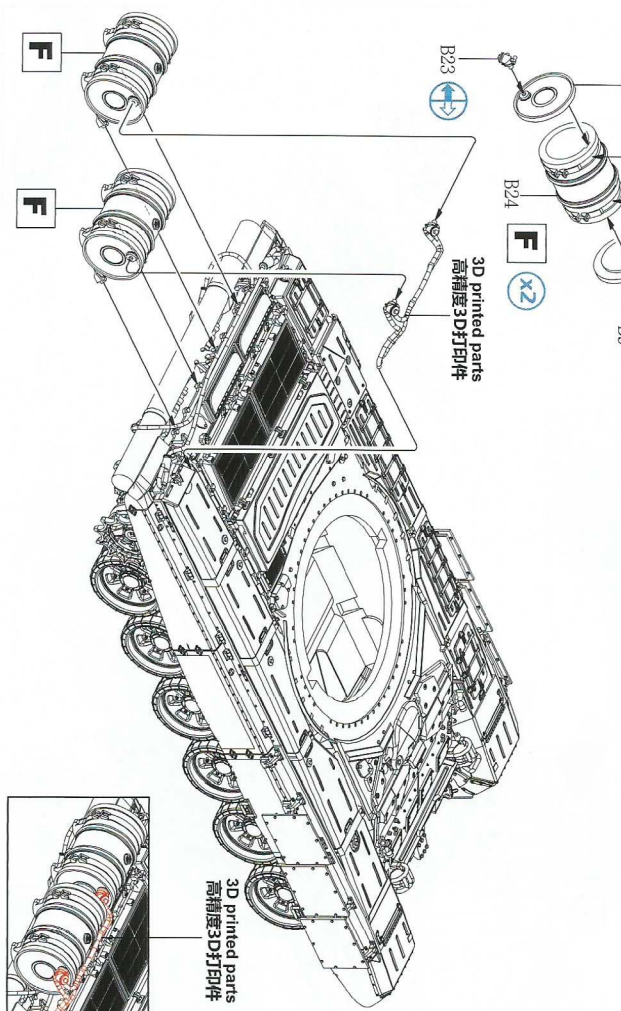
3D printed parts
高精度3D打印件

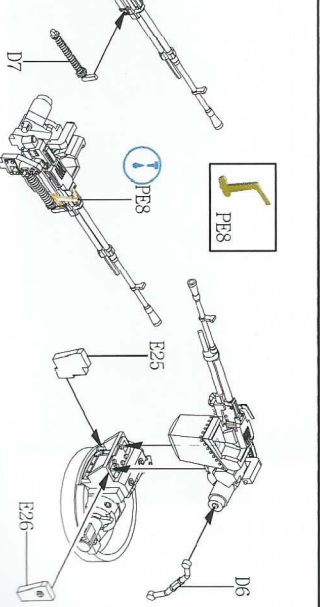
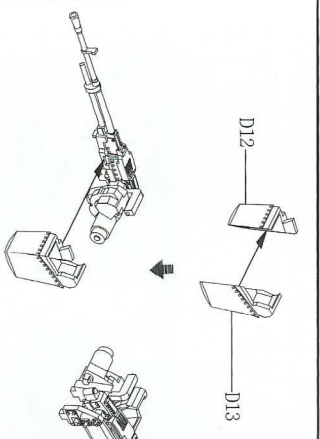
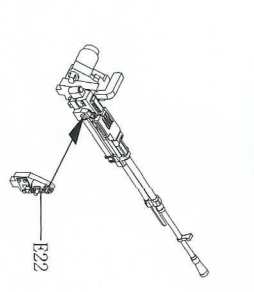
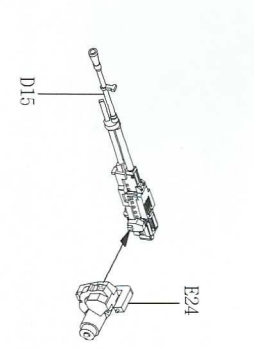
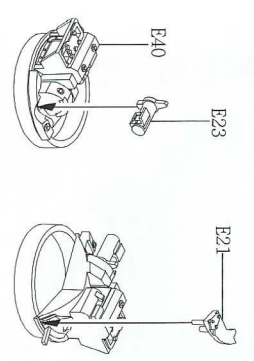
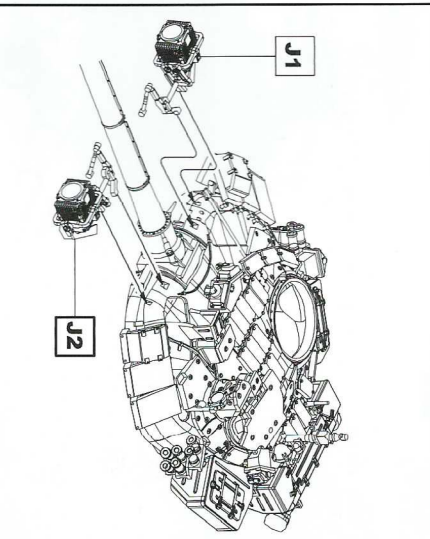
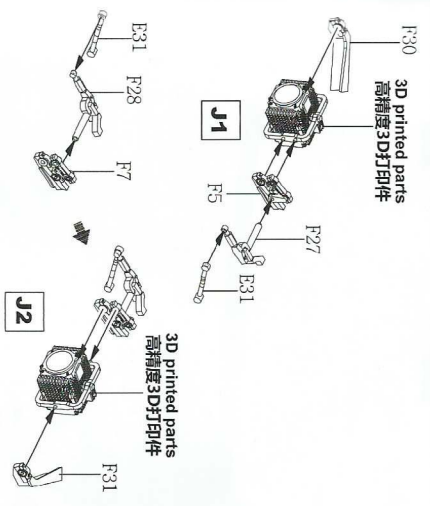
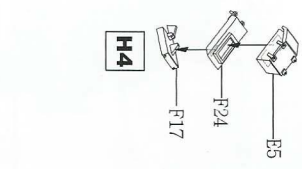
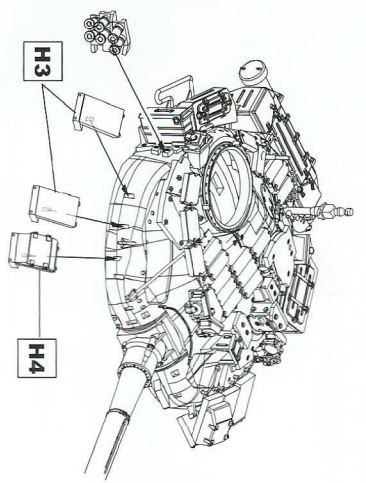
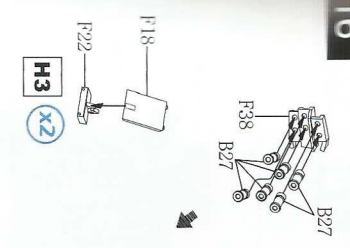
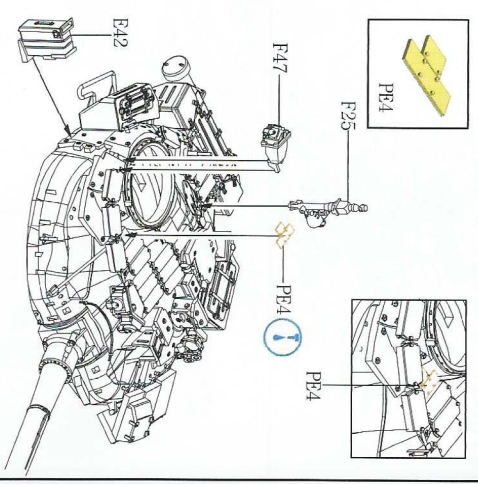
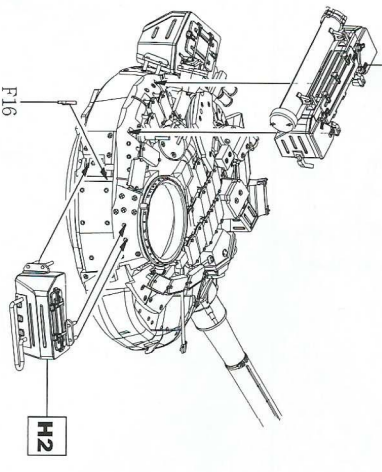
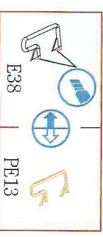
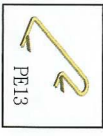
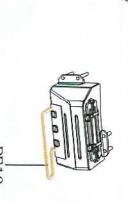
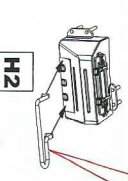
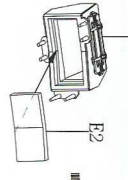
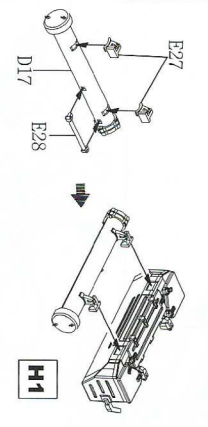
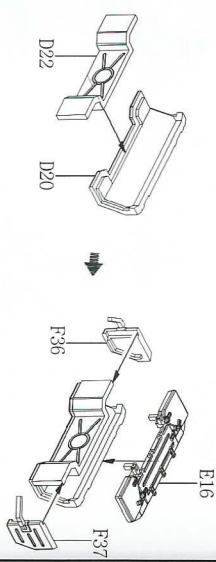
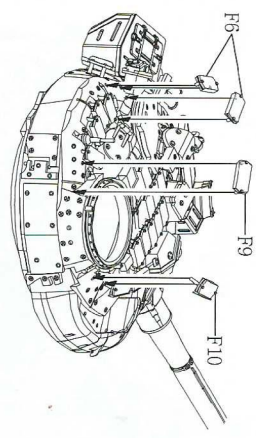
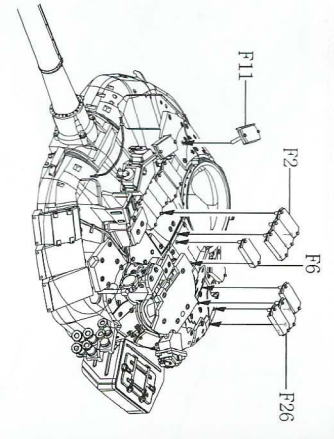
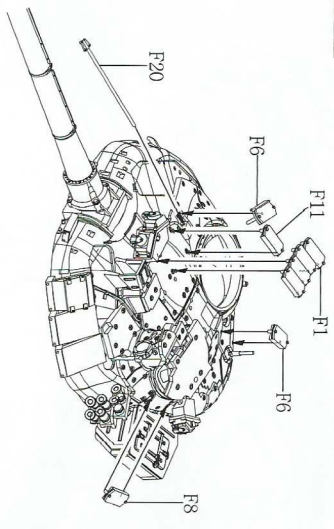
E



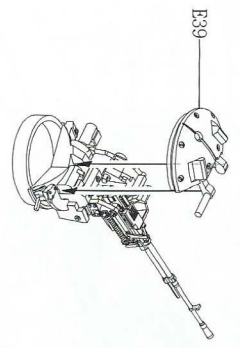


! 按装输油管 (打印件) 时, B23不用安装

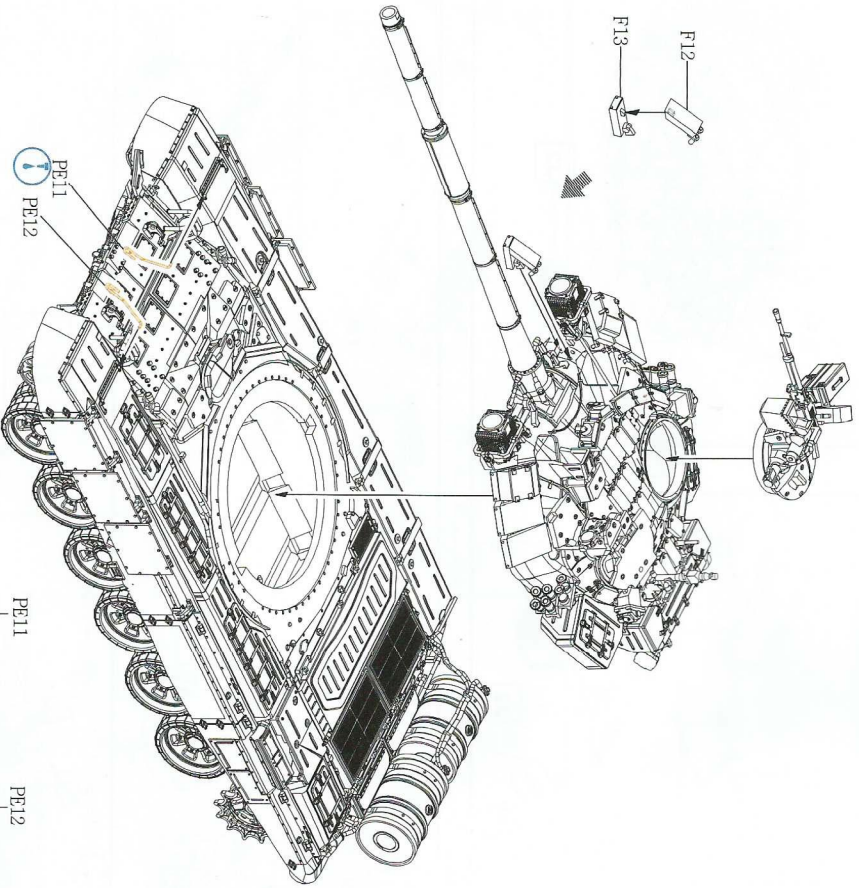
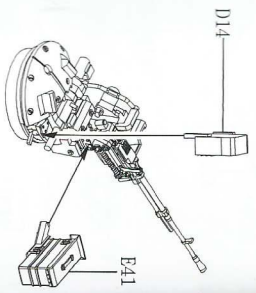
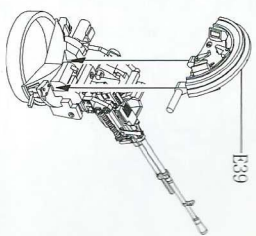




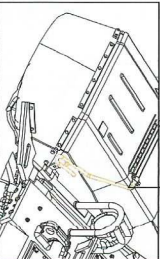
关闭
Close



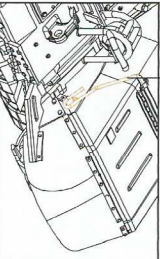
打开
Open



PG11
PG12

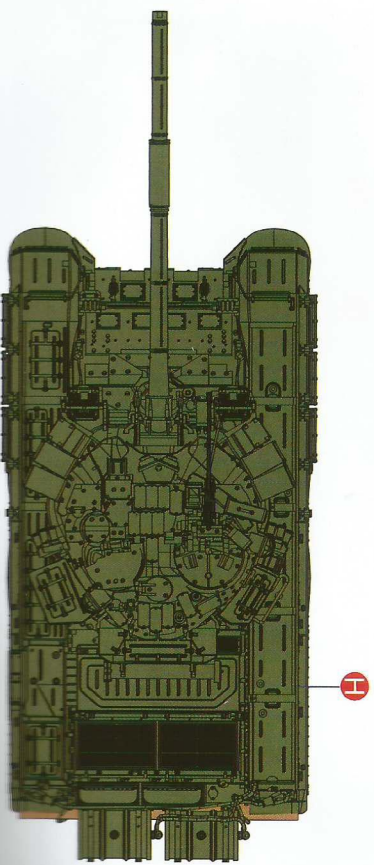
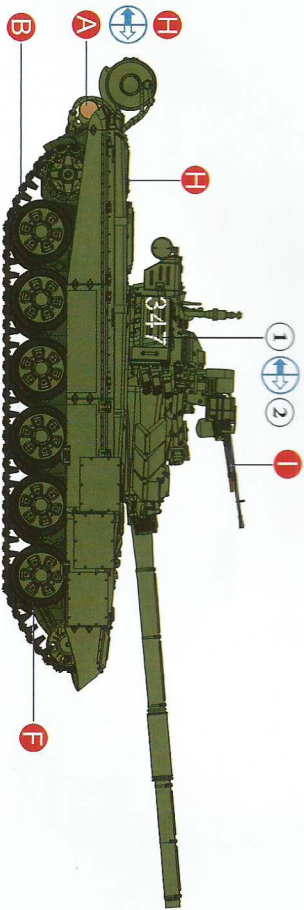
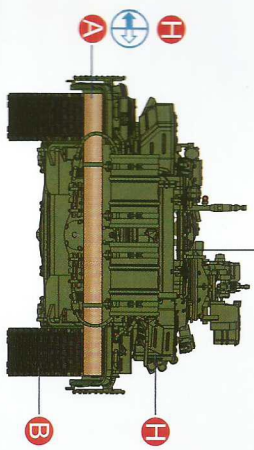
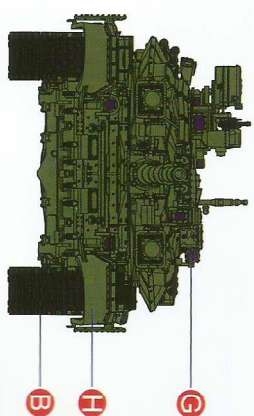


PG11

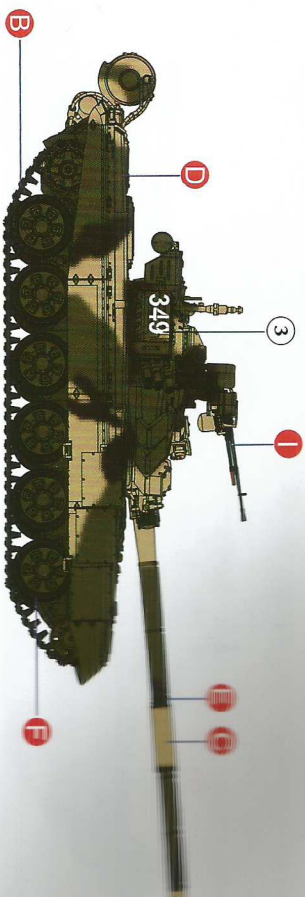
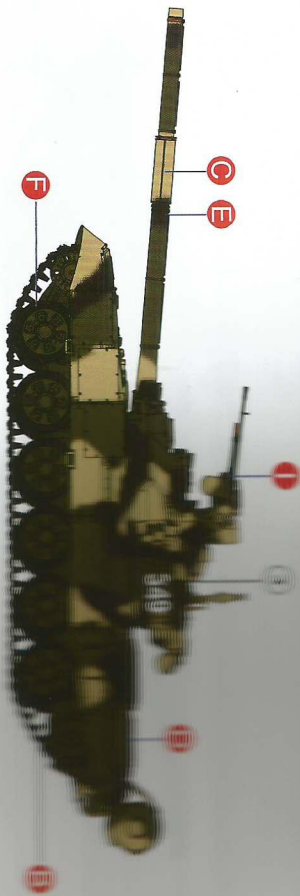
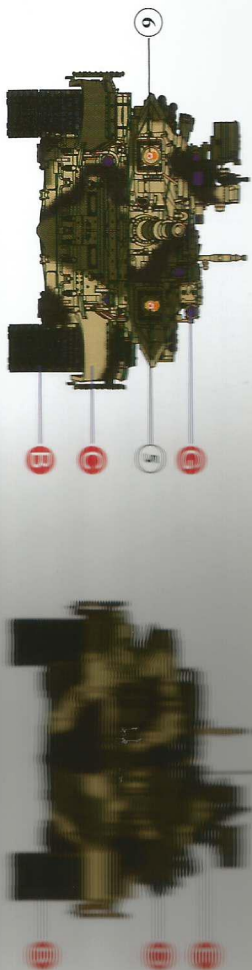


PG12

Paint Option 1:



Paint Option 2:



T-80

Russian Main Battle Tank

俄羅斯主戰坦克T-90



Meaning of icons

- | | | | | |
|---|--|--|---|---|
|  FILL HOLE
填平孔洞 |  OPEN HOLE
钻出孔洞 |  OPTIONAL
可选择使用 |  2 SETS NEEDED
同样的制作二组 |  REMOVE
切除 |
|  BE CAREFUL
小心注意 |  APPLY DECAL
贴水上贴 |  BEND
曲折 |  DO NOT CEMENT
不用粘接 |  INSTANT GLUE
速干胶
瞬間粘着剂 |

CAUTION:

1. When you use glue or paint, do not use near a open flame, and sue in a well-ventilated room.
2. Cut the parts off properly and throw waste parts into dustbox at once.
3. Keep all parts out of small children. Children must not be allowed to put any parts in their mouths, or pull plastic bags over their head.
4. Do not play with the parts for any other purpose, as some parts may be too sharp. More caution and care needed for families with infants.

注意:

1. 當組裝模型時應遠離火種及在空氣流通的房間內進行。
2. 廢置膠料應掉棄在環保回收的垃圾箱內。
3. 由於模型零件有許多細小零件，請勿讓小孩接觸以免產生誤吞之危險。也別讓小孩把包裝零件之透明塑料袋套在頭上，這很容易引致窒息。
4. 由於零件有不少尖角部份，請勿把玩及作其他用途，請注意及小心保護你的家人。

CORRECT METHOD FOR APPLYING DECALS:

1. Clean model surface with wet cloth.
2. Cut out of decal sheet and dip them in cold water for 15 seconds.
3. Place decal on proper position on model.
4. Slide off base paper leaving decals on model with wet finger tip.
5. Adjust decals to exact position, push out excess water under decal with soft cotton cloth.

正確貼上水貼紙的方法:

1. 將模型表面擦幹淨。
2. 將貼紙剪下泡入清水中約15秒。
3. 將泡濕之貼紙取出置放欲貼處旁。
4. 用指尖輕推貼紙表面使其滑出底紙。
5. 將貼紙調整至適當位置並輕擦去水份。