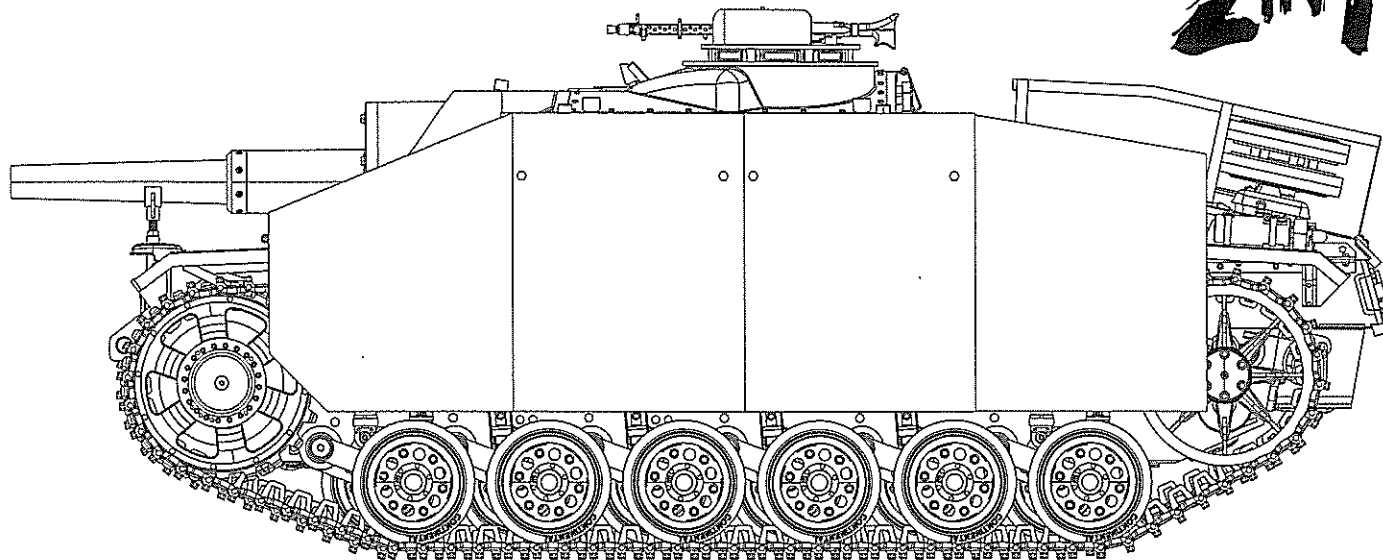


StuH42 & StuG III Ausf. G LATE PRODUCTION

2 IN 1



Based on the obsolete Panzer III, the Sd.Kfz 142/1 StuG III Ausf. G became the ultimate version of the Sturmgeschütz III family of German AFV's, with some 7,720 being produced from December 1942 until March 1945. The main improvement over previous variants was a new casemate superstructure made up of slanted 30mm side armor & 50mm frontal armor plates. This casemate featured a new commander's cupola fitted with 7 periscopes and an SE14Z scissors periscope.

A larger 10.5cm L 28 howitzer was installed in around 1,300 units, designated as the Sturmhaubitze 42.

These vehicles became ubiquitous during WWII, not only fighting effectively for the Germans from Normandy to Kursk, but also with the armies of Finland, Italy, Bulgaria and Romania. Some examples fought on well after the war, when Syrian vehicles were destroyed by superior Israeli forces during the Six Day War in 1967.

03.02.8006

READ BEFORE ASSEMBLY

CAUTION

- Read carefully and fully understand the instructions before commencing assembly. A supervising adult should also read the instructions if a child assembles the model.
- When assembling this kit, tools including knives used. Extra care should be taken to avoid personal injury.
- Keep out of reach of small children. Children must not be allowed to suck any part, or pull vinyl bag over their heads.



Optional



Instant Glue for Metal



Be Careful



Remove



Drill

PAINTS REQUIRED

Color info and profiles by Mig Jimenez



Dark Tracks



Rubber & Tires



Gun Metal



RAL 7028
Dunkelgelb (Mid War)



RAL 8017
Schokobraun



Crystal
Periscope Green



New Wood



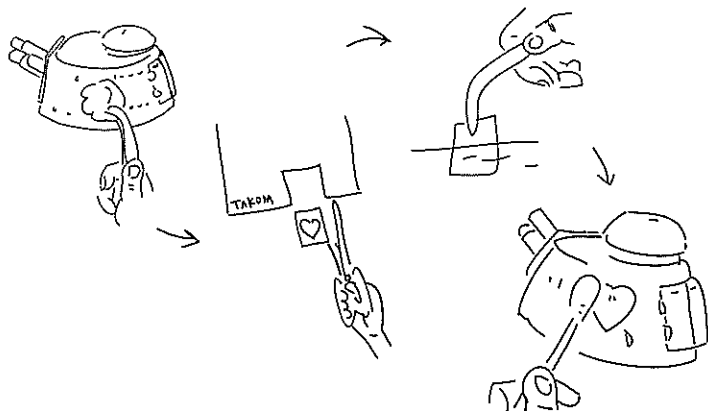
RAL 6003 Olivgrun
Opt.2



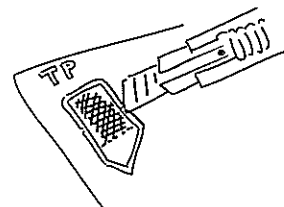
Washable
White Camo

APPLYING DECALS

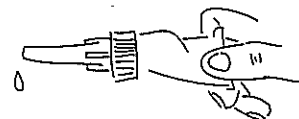
1. Clean the model surface with a wet cloth.
2. Cut out each decal design from sheet, and dip it in tepid water for 15-20 sec.
3. Hold the backing sheet edge and slide decal onto the model.
4. Move decal into position by wetting decal with finger.
5. Press decal gently down with a soft cloth until excess water and air bubbles are gone.



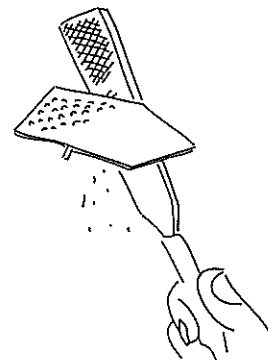
REMOVING PE



Be careful not to hurt when removing PE parts.

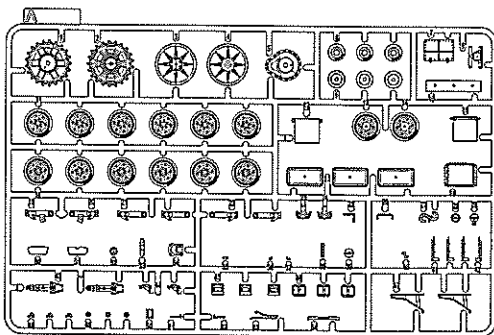
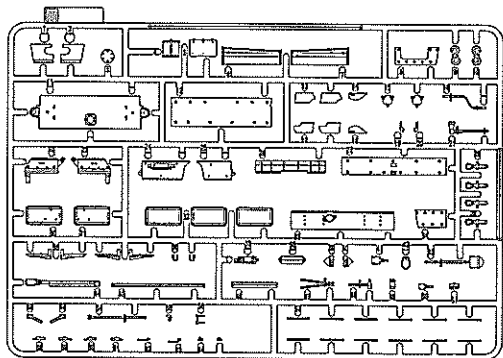


Secure using instant glue (not included).

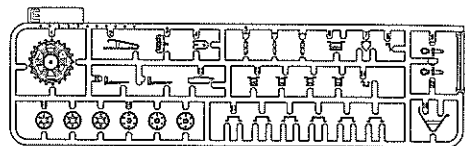


Finish using file.

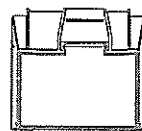
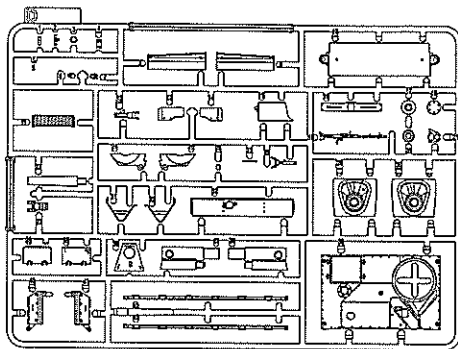
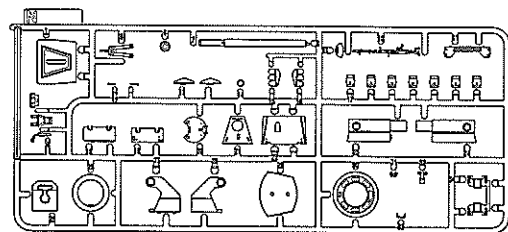
PARTS



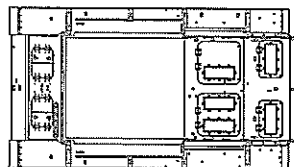
X2



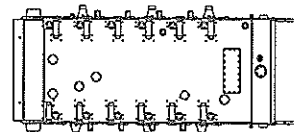
X2



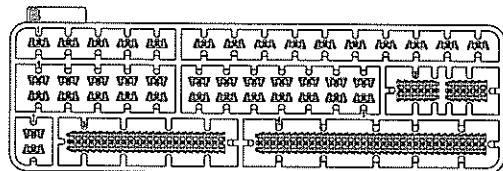
Turret



Upper Hull



Lower Hull



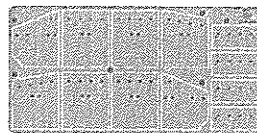
X2



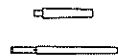
Cable



TP



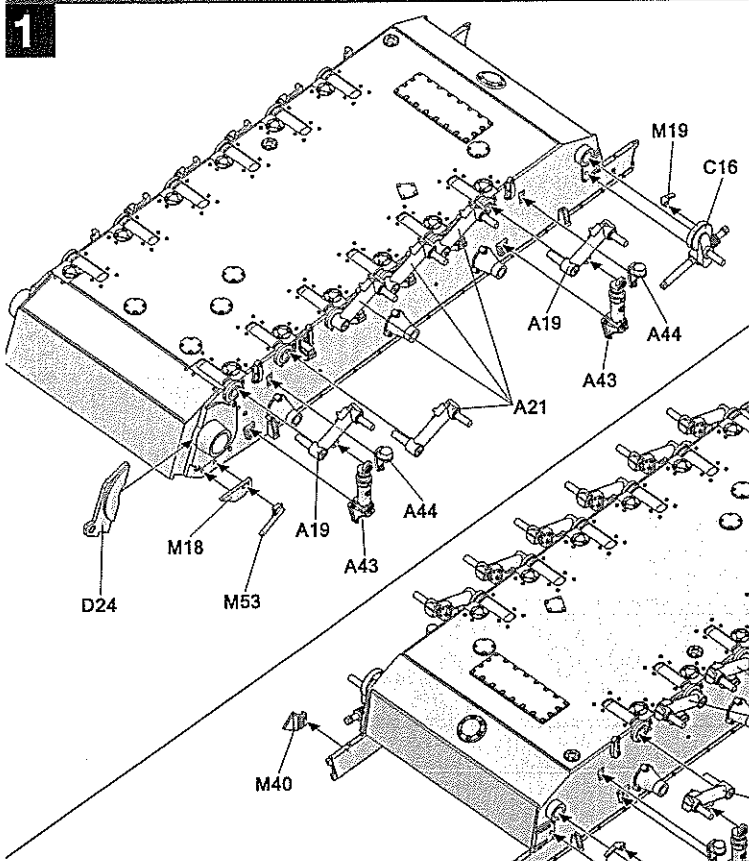
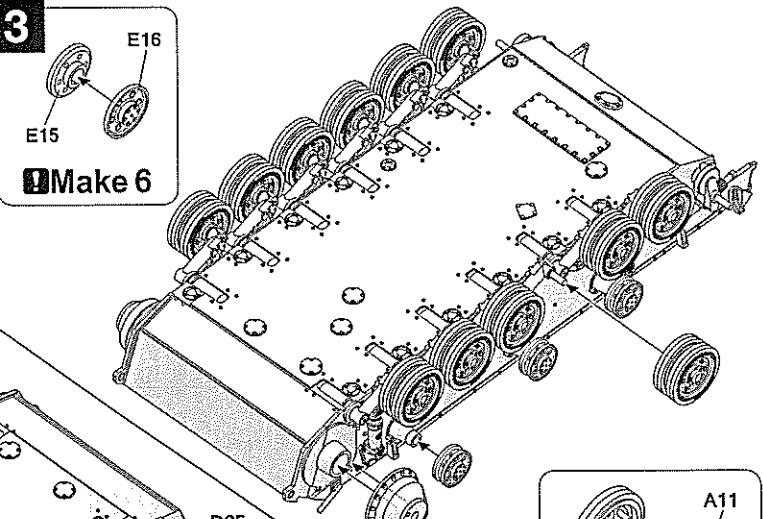
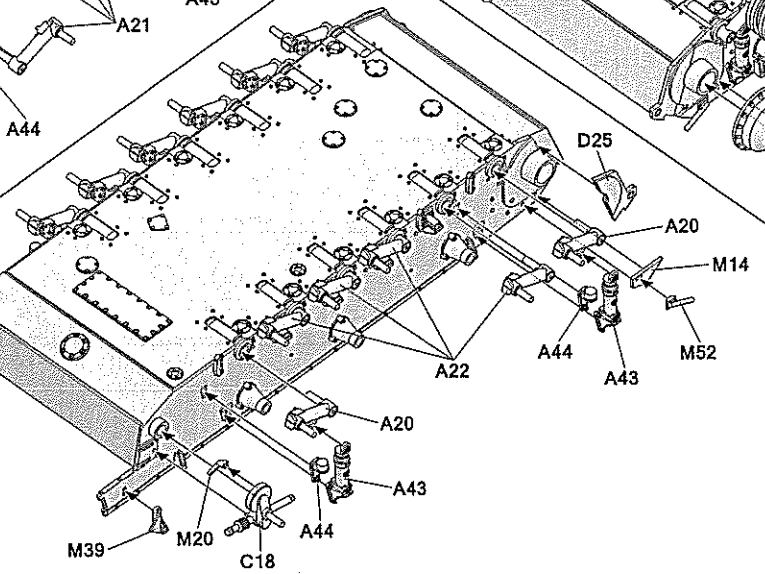
TPa



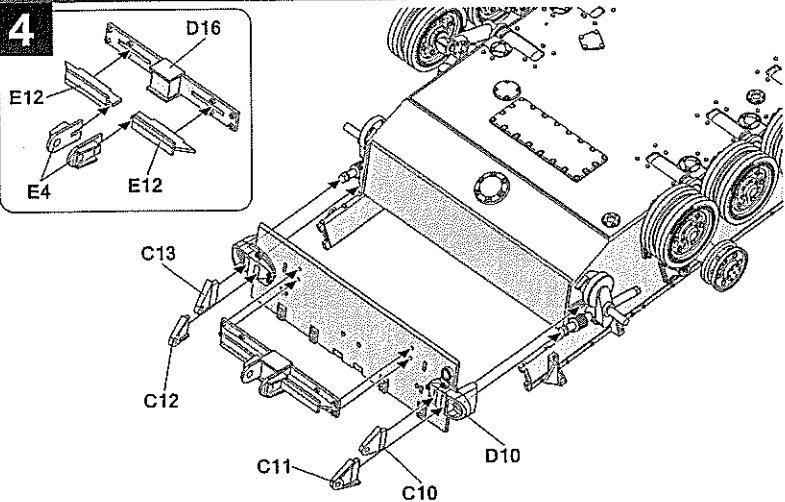
Metal Barrel



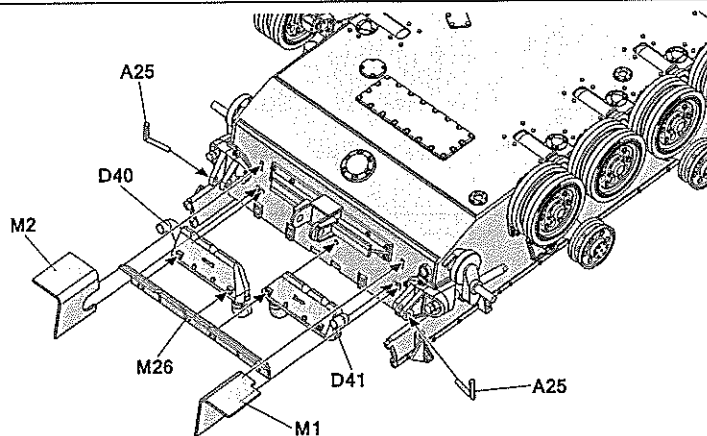
Decal

1**3****Make 6****2****Make 12****3**

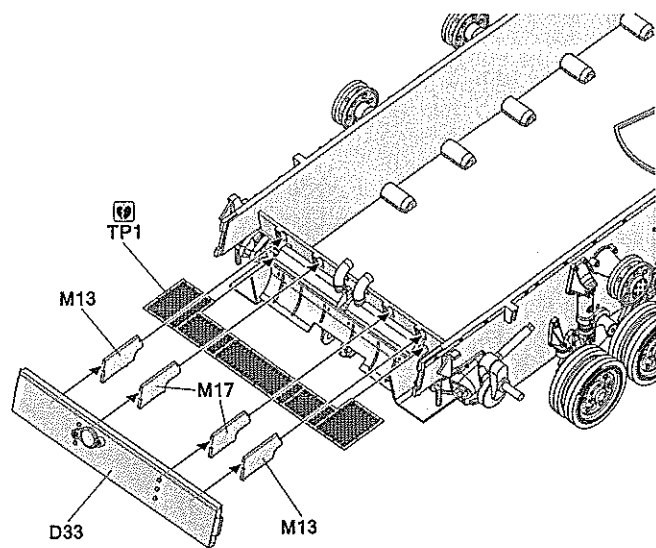
4



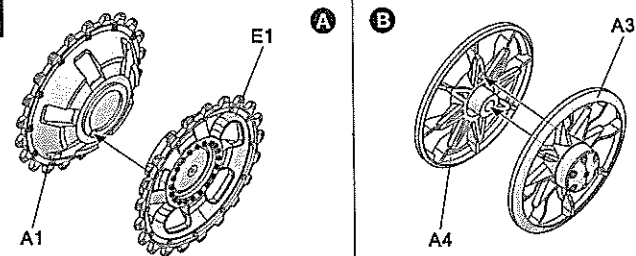
5



6

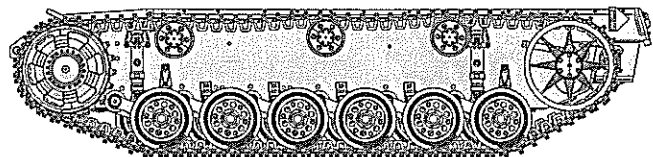
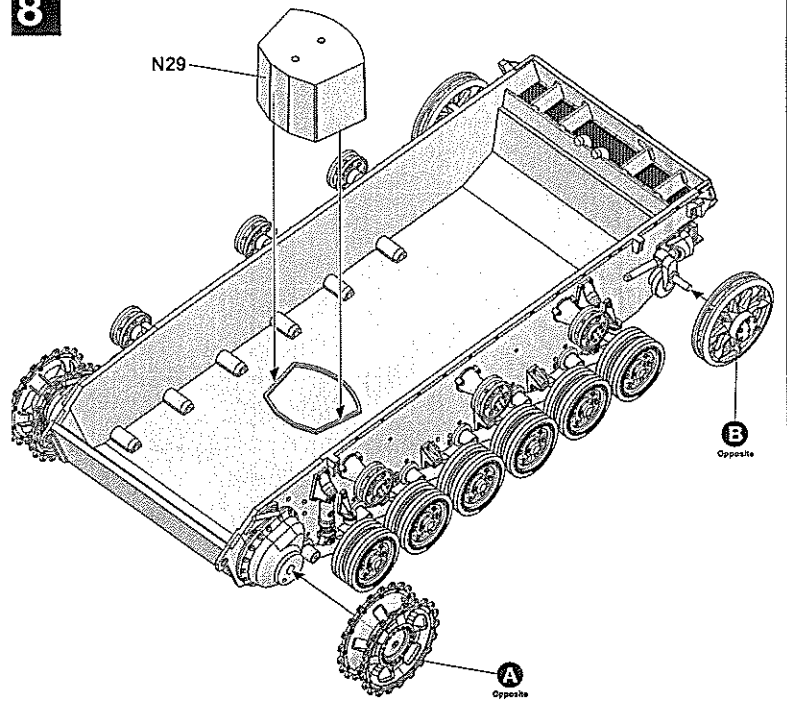
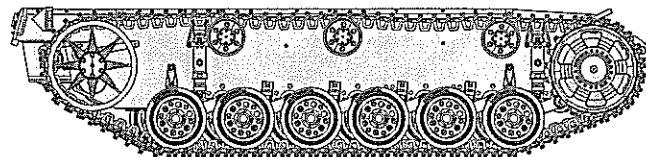
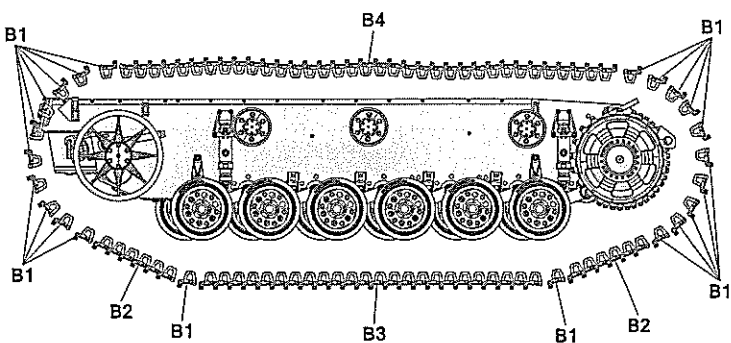
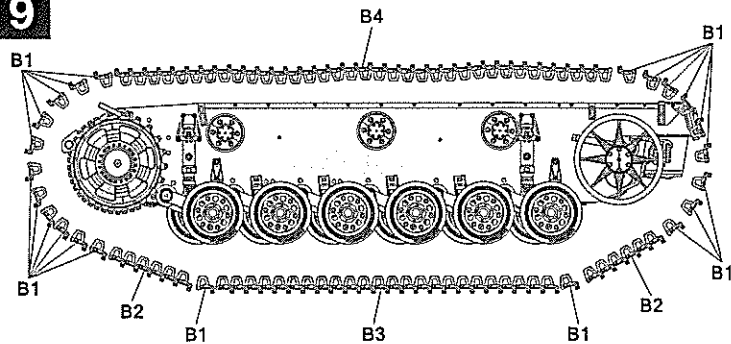


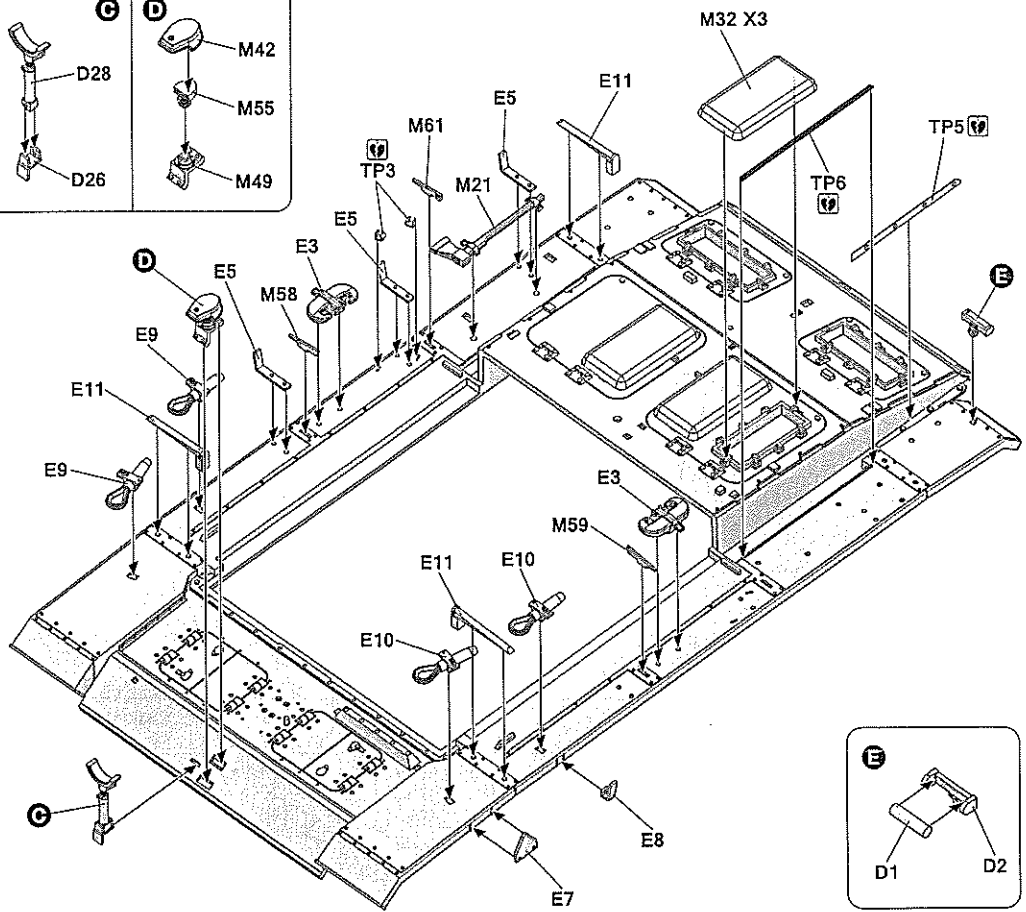
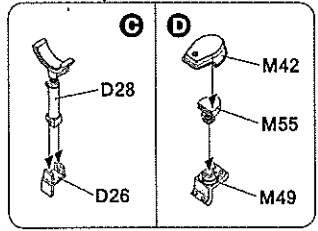
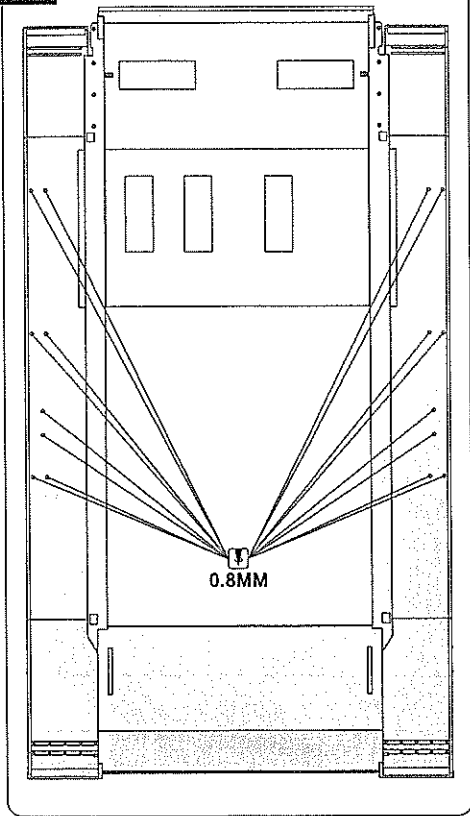
7

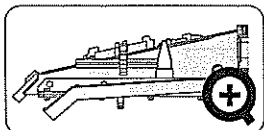
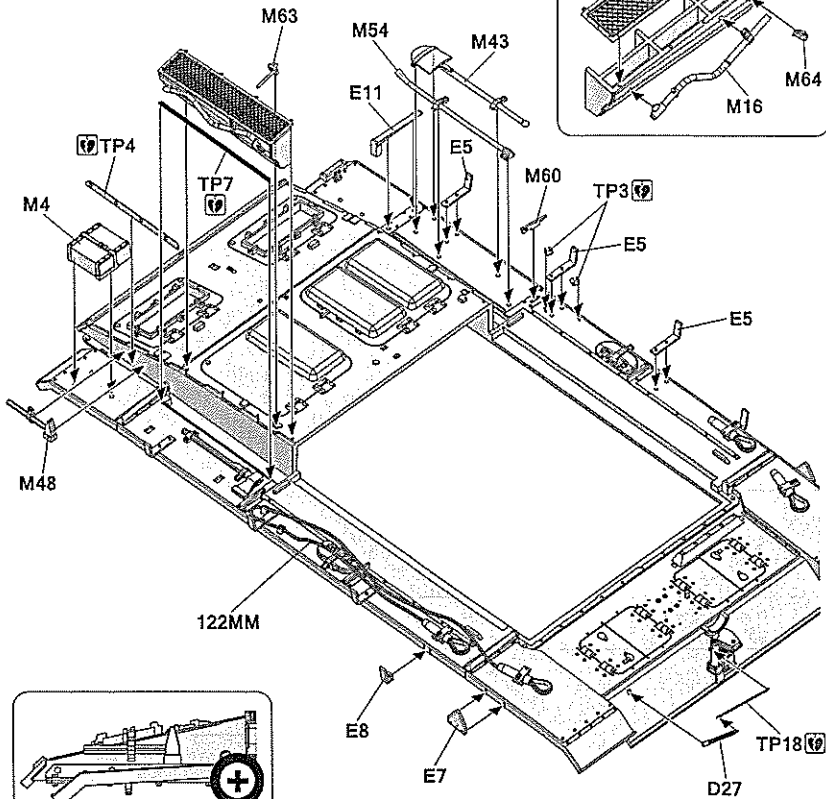
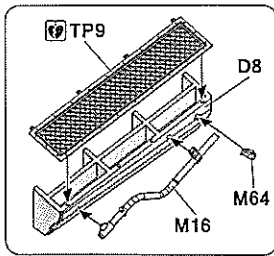
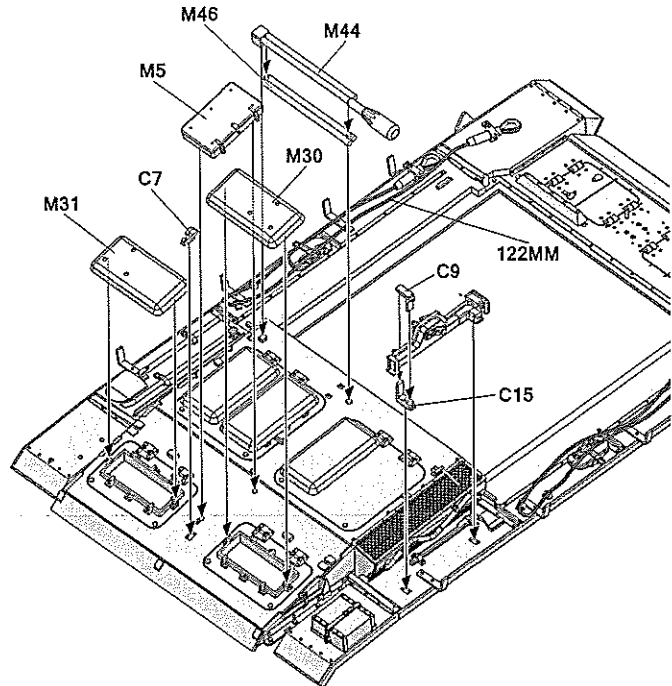
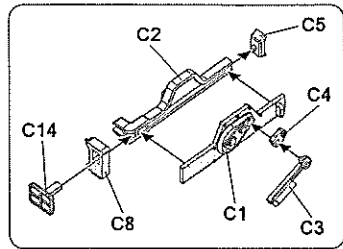


 Make 2

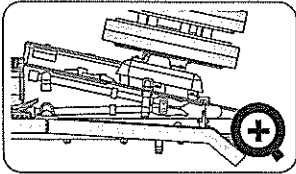
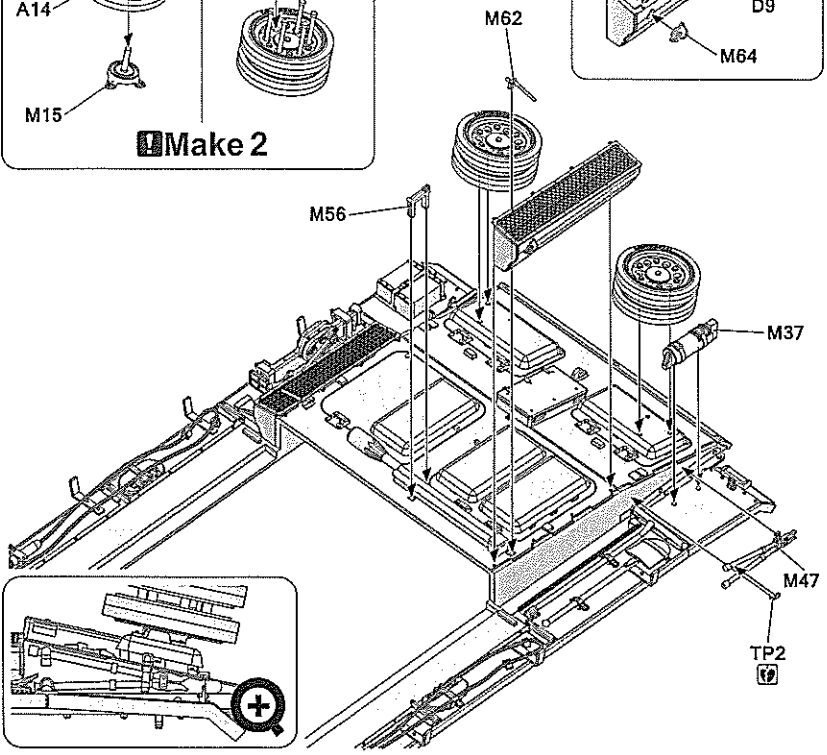
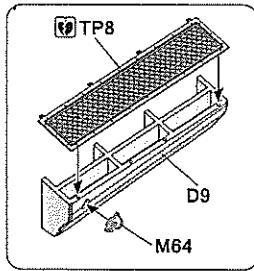
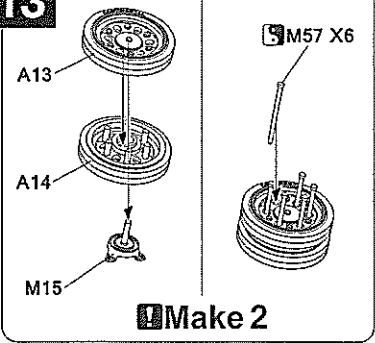
 Make 2

8**9**

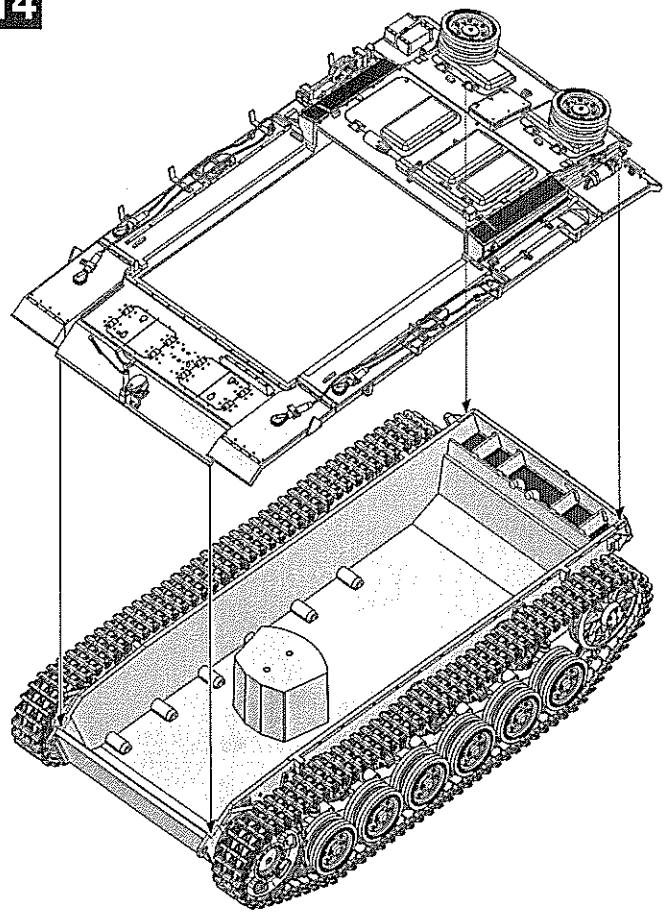


11**12**

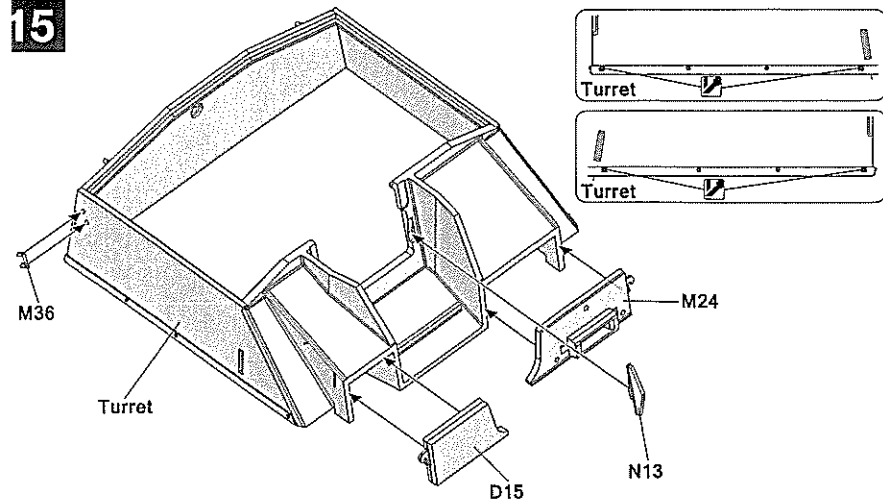
13



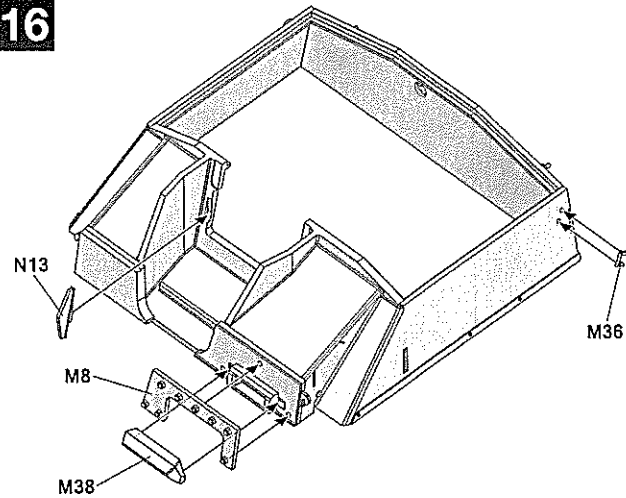
14



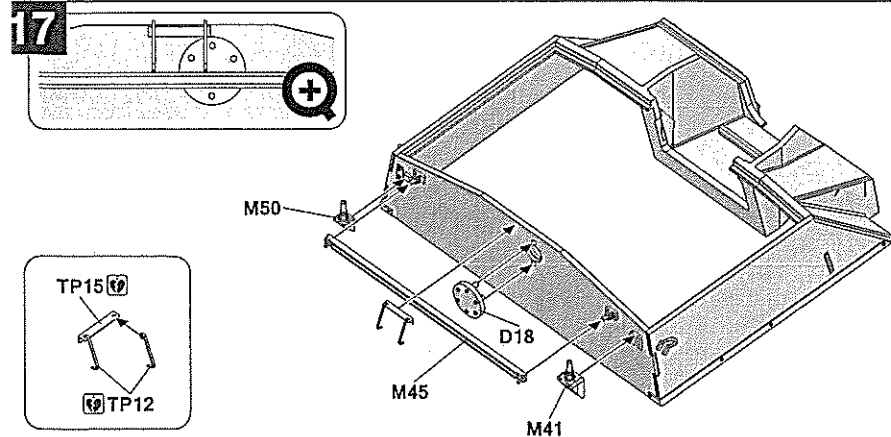
15



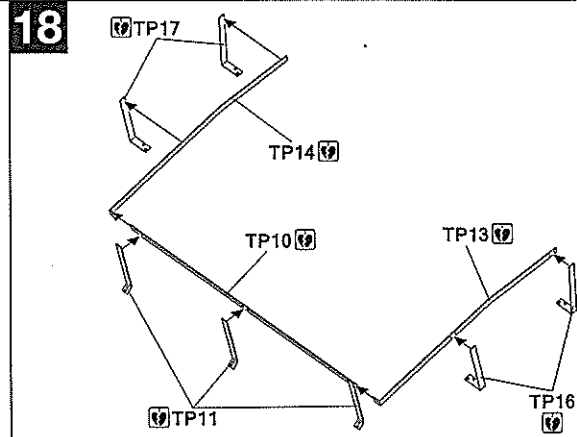
16



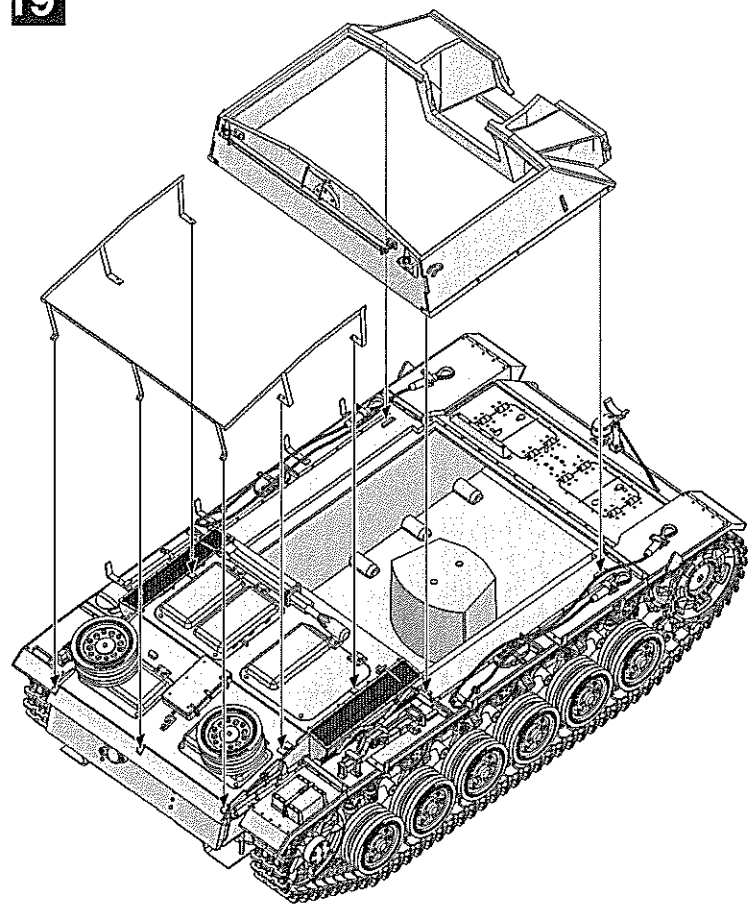
17



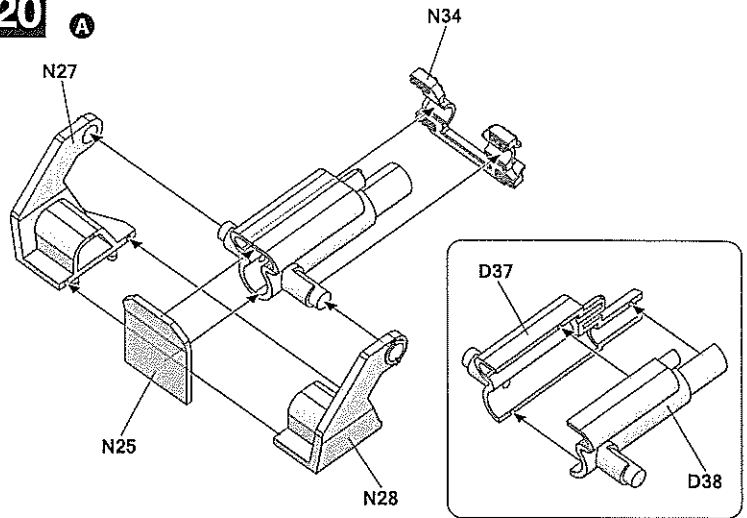
18



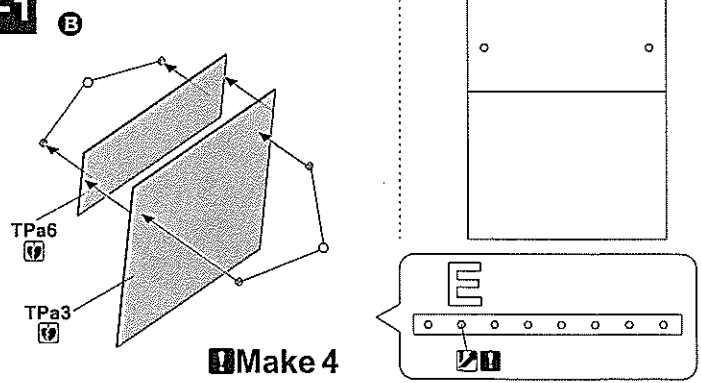
19

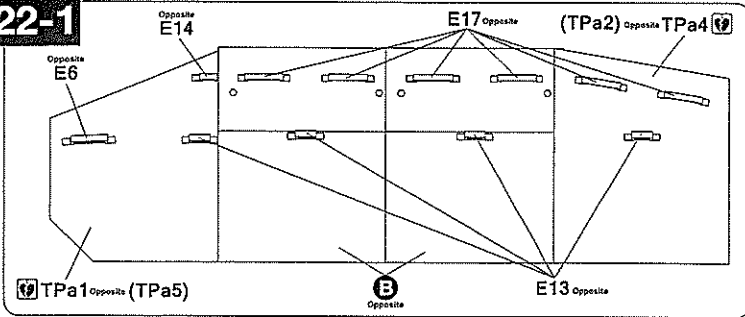
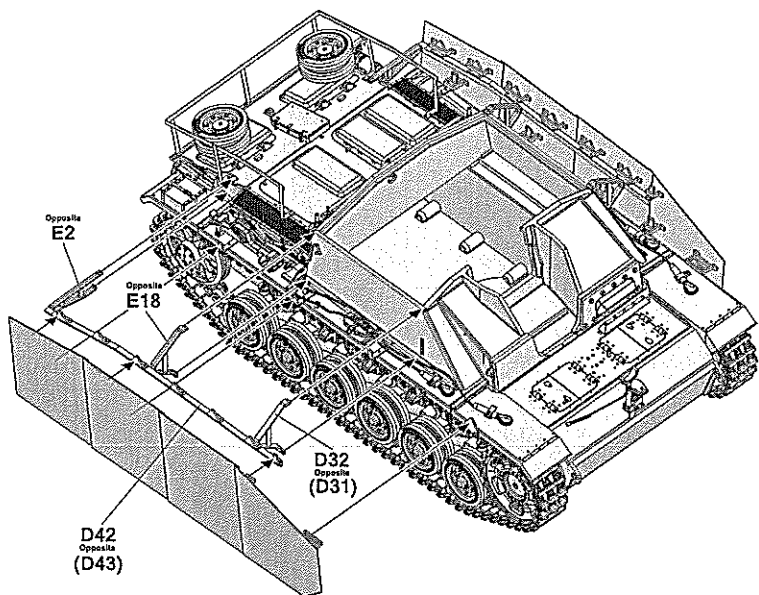
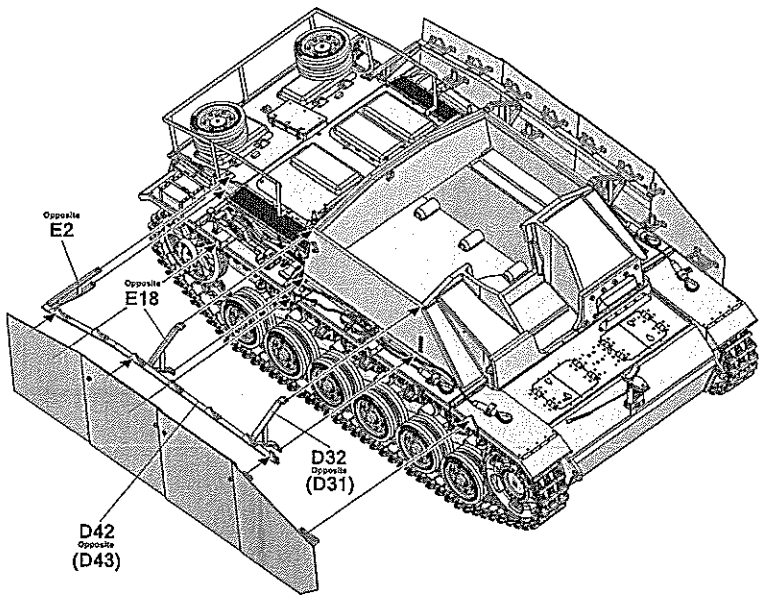
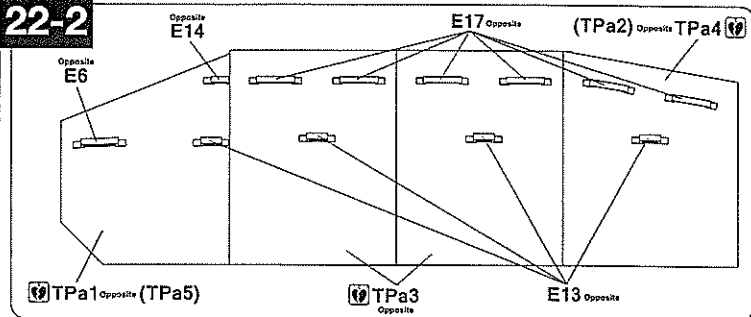


20

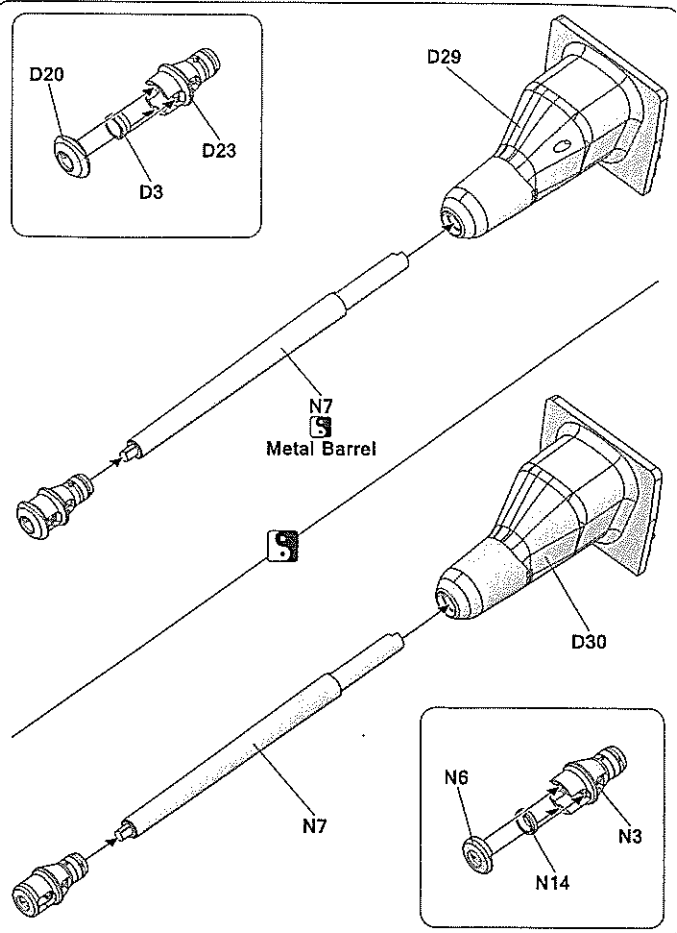
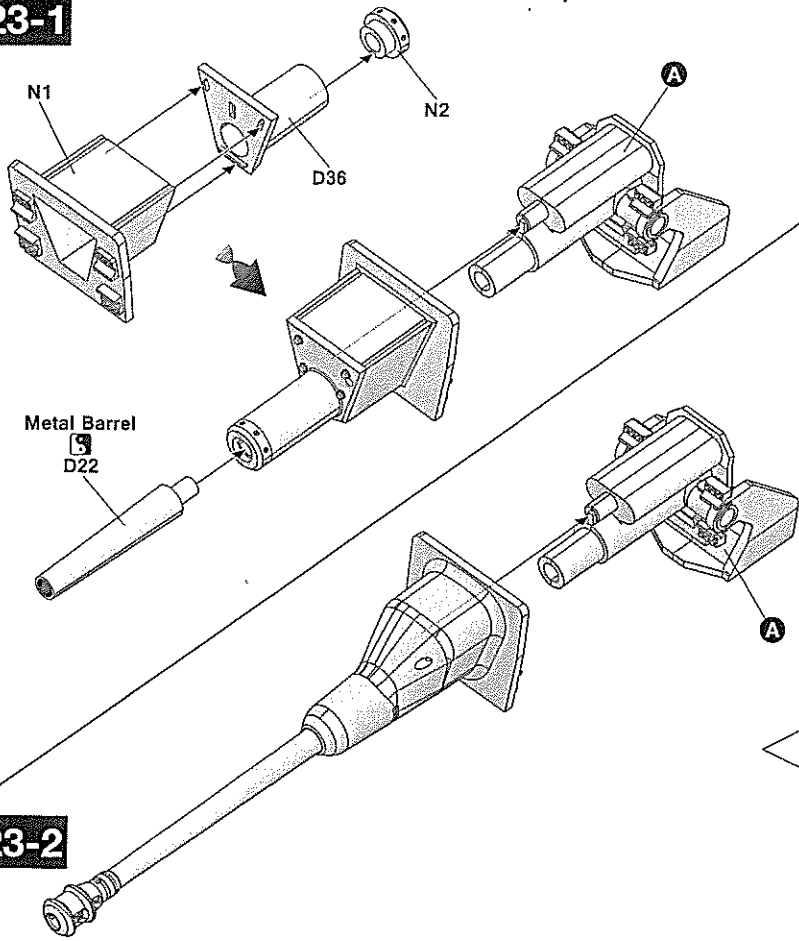


21-1



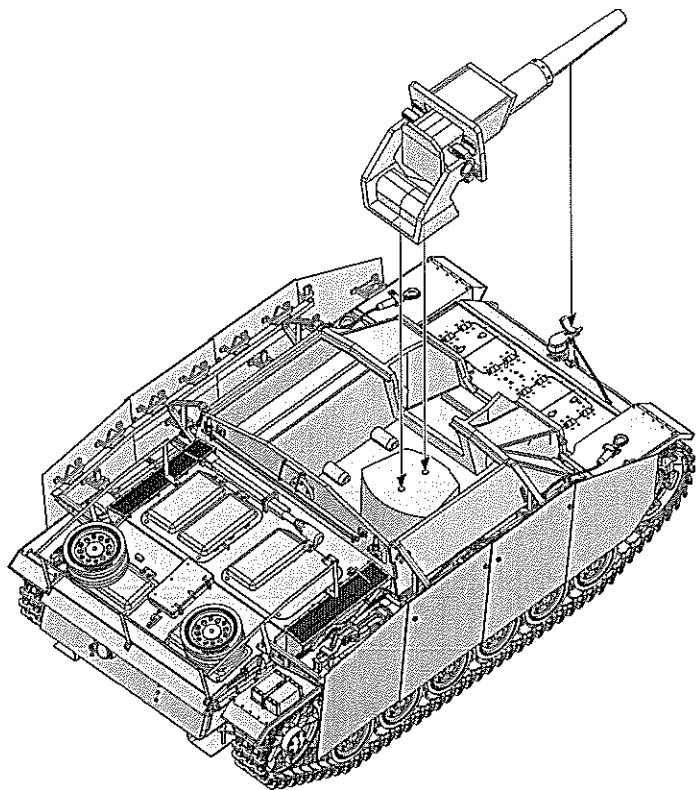
22-1**22-2**

23-1

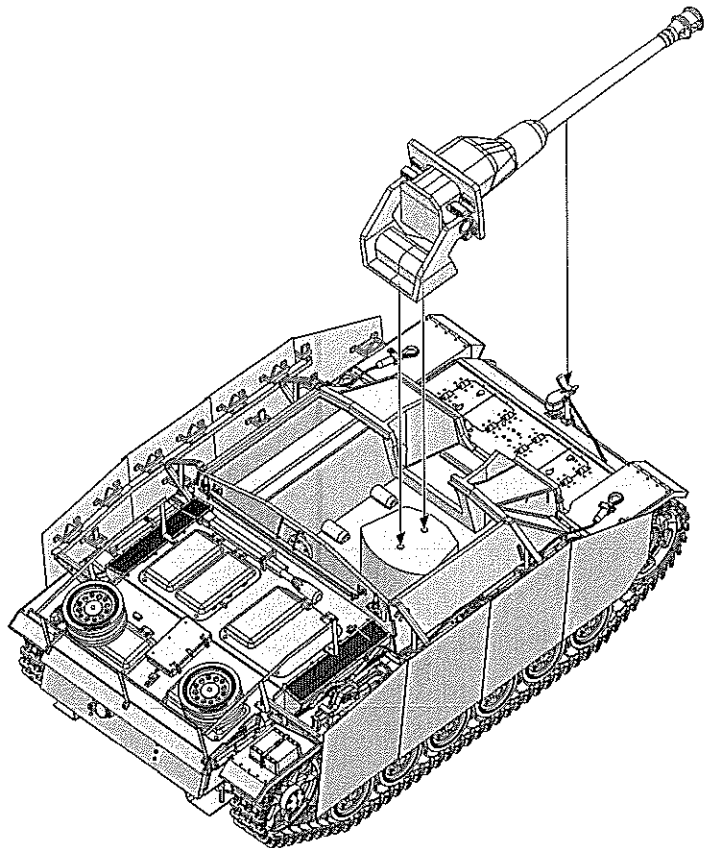


23-2

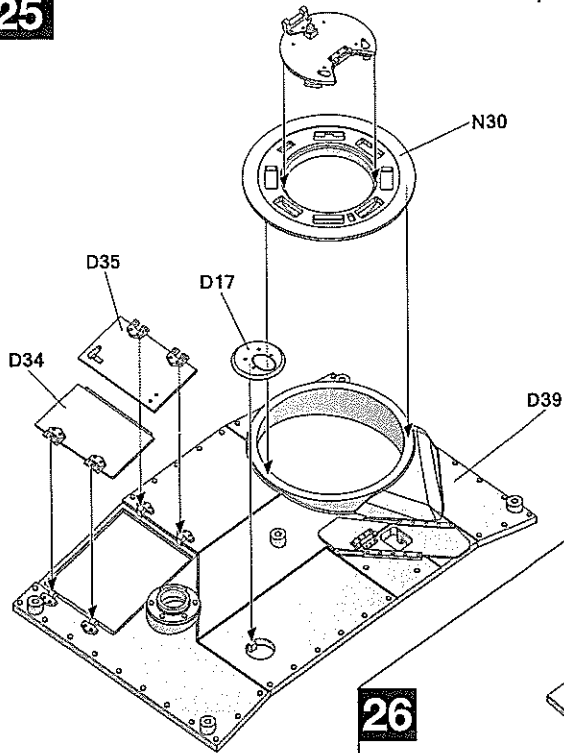
24-1



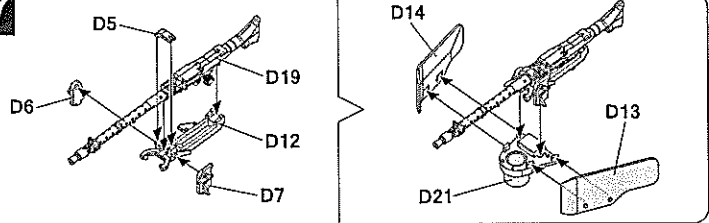
24-2



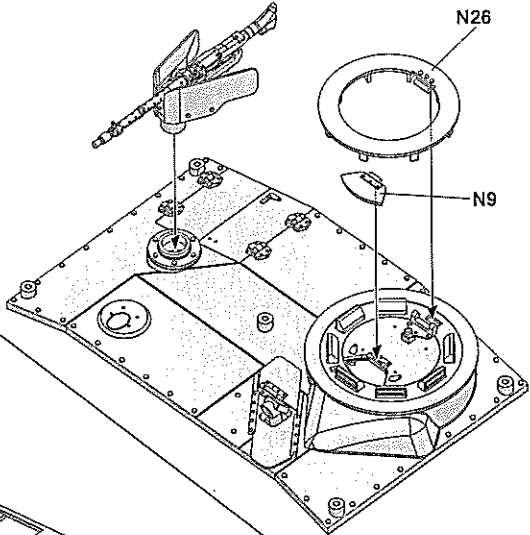
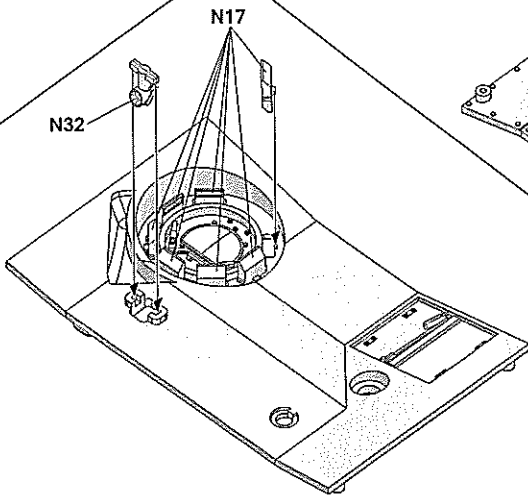
25



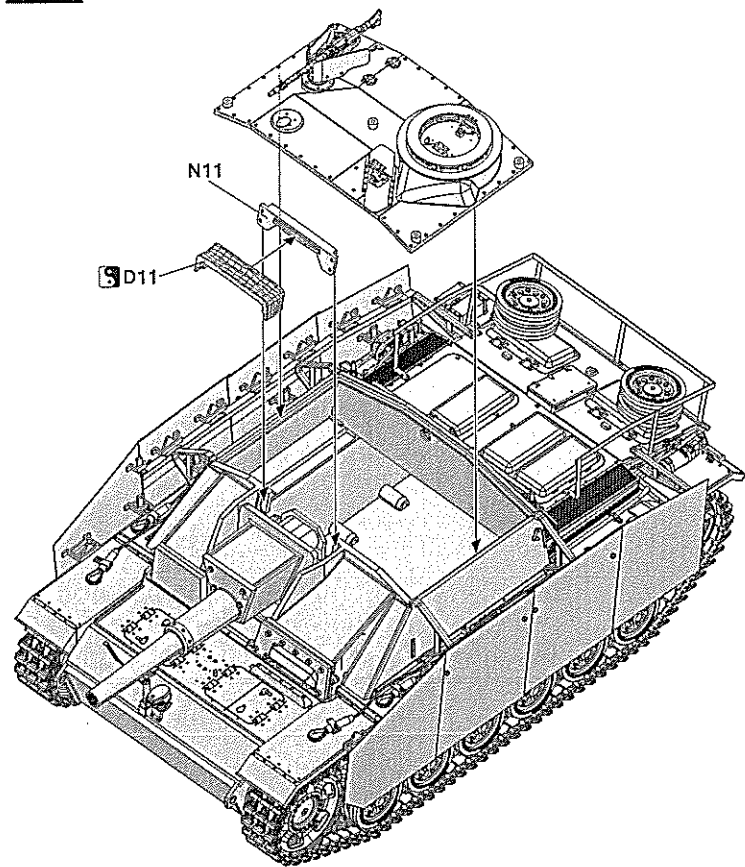
27



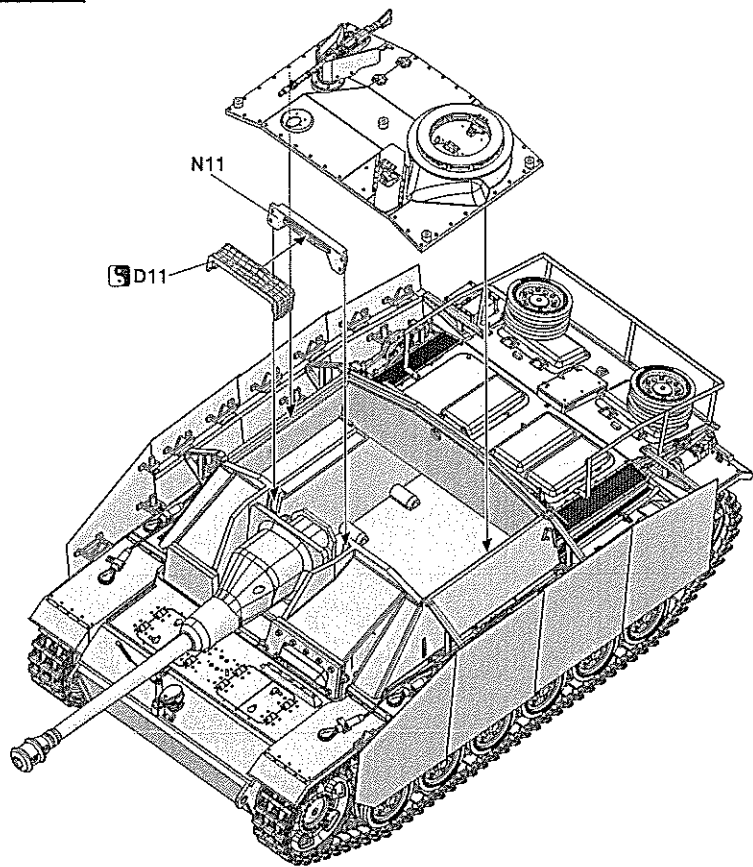
26



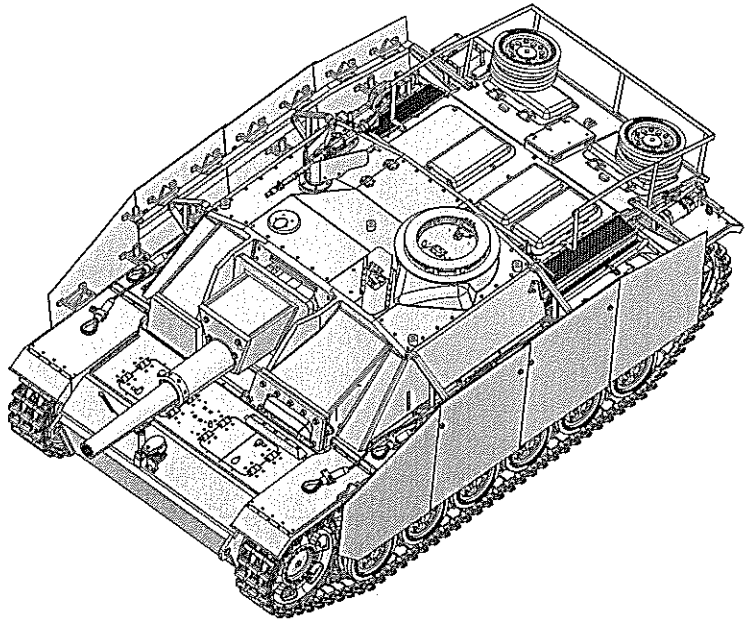
28-1



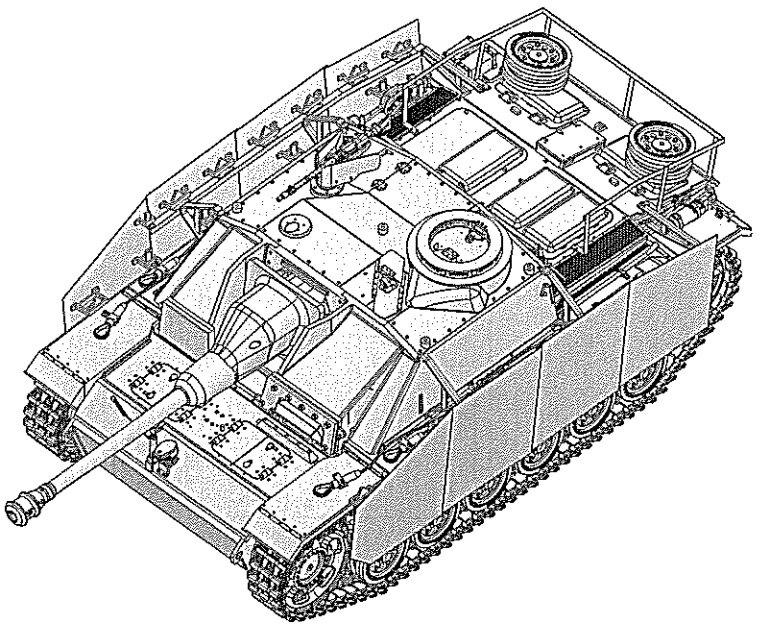
28-2



29-1



29-2



03.03.8006

BLITZ
by TAKOM

StuG III Ausf.G/ StuH 42 Late Production

AMMO

by MIG Jimenez

www.ammo.es

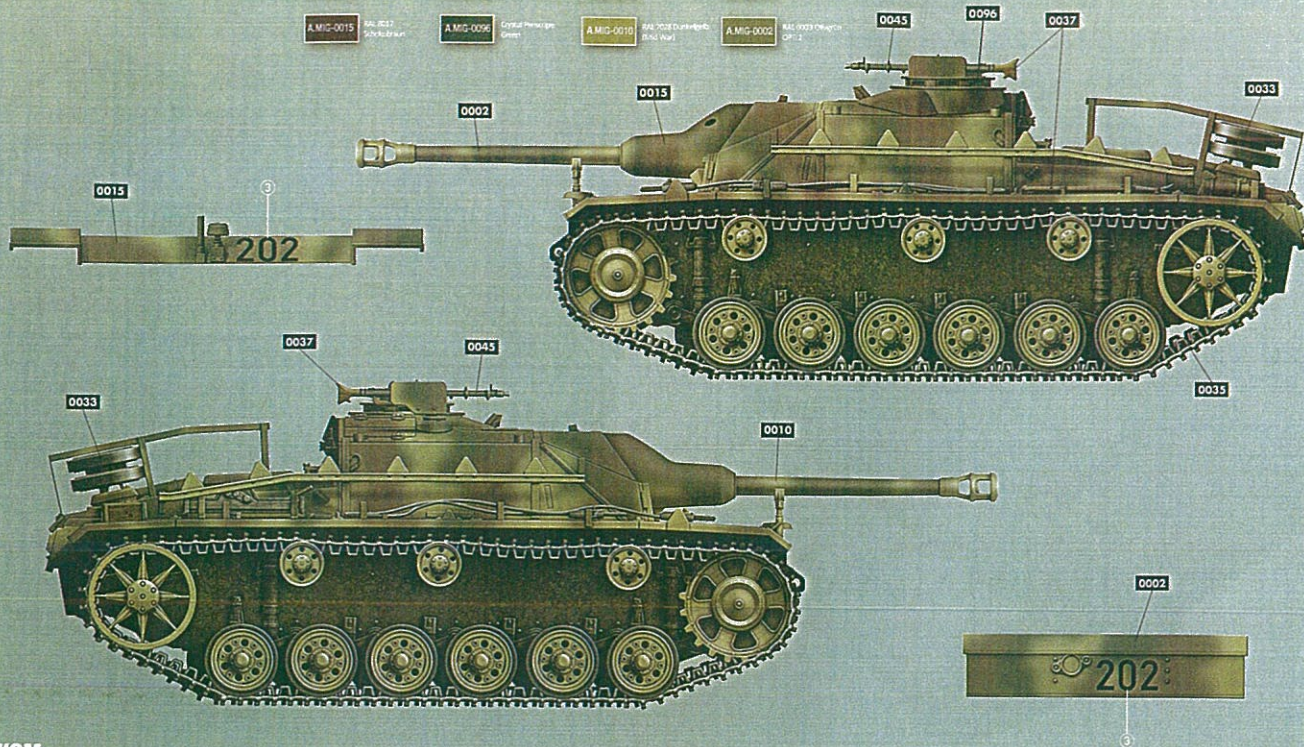
Painting and Marking Guide

A.MIG-0035 Dark Fuchs

A.MIG-0033 Rubber & Tires

A.MIG-0045 Gun Metal

A.MIG-0037 Olive Wood

A.MIG-0015 RAL 8037
SchokbraunA.MIG-0096 Central Personnel
GreenA.MIG-0010 RAL 7018 Dunkelgrün
Wald GrünA.MIG-0002 RAL 8023 Olivgrün
OP-2**TAKOM**

StuG III Ausf.G/ StuH 42 Late Production Ref: 8006

03.03.8006

BLITZ
 by TAKOM

StuG III Ausf.G/ StuH 42 Late Production

AMMO

by MIG Jimenez

www.ammo.es

Painting and Marking Guide

A.MIG-0035 Dark Tracks

A.MIG-0033 Rubber & Tires

A.MIG-0045 Gun Metal

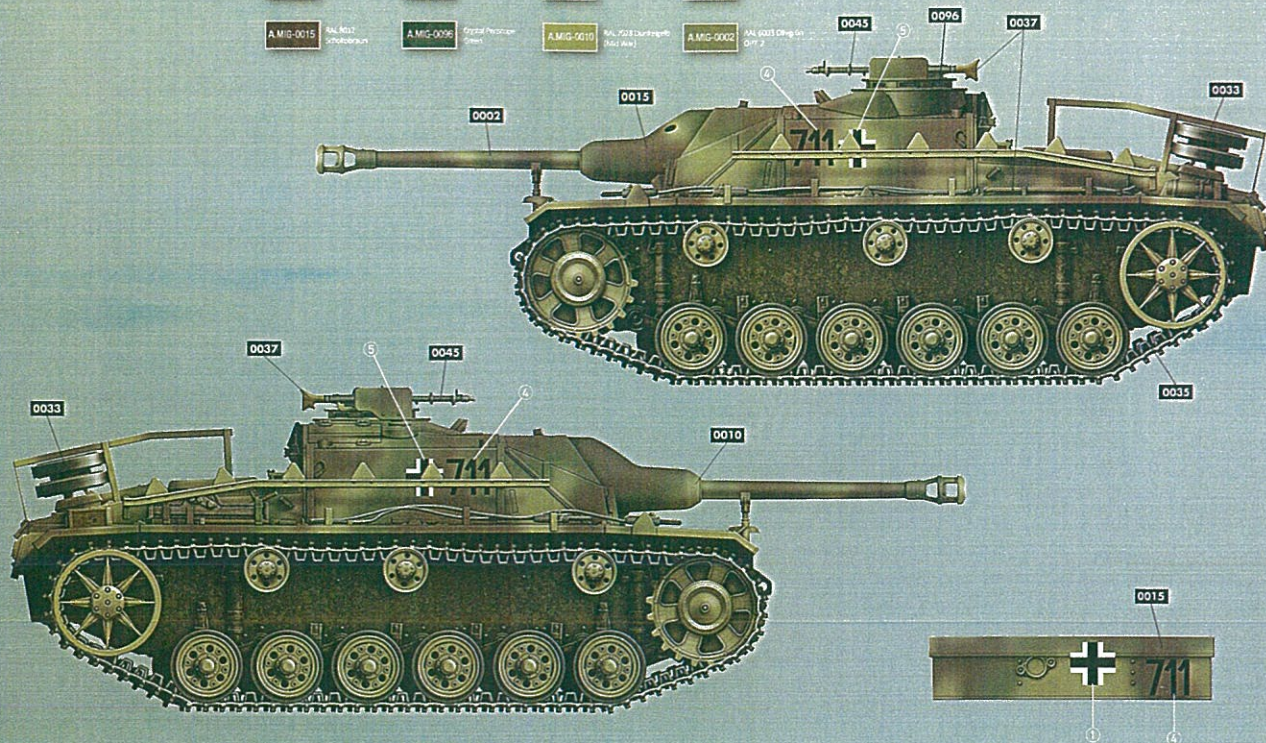
A.MIG-0037 Olive Wood

A.MIG-0015 RAL 6021 Schwarzgrün

A.MIG-0096 Digital Perspective Green

A.MIG-0010 RAL 7028 Dunkelgrün (Nazi Weh)

A.MIG-0002 RAL 6023 Olivgrün (Duff 2)


TAKOM

StuG III Ausf.G/ StuH 42 Late Production Ref: 8006

03.03.8006



StuG III Ausf.G/ StuH 42 Late Production



by MIG Jimenez

www.ammo.es

Painting and Marking Guide

A.MIG-0035 Dark Tracks

A.MIG-0033 Rubber & Tires

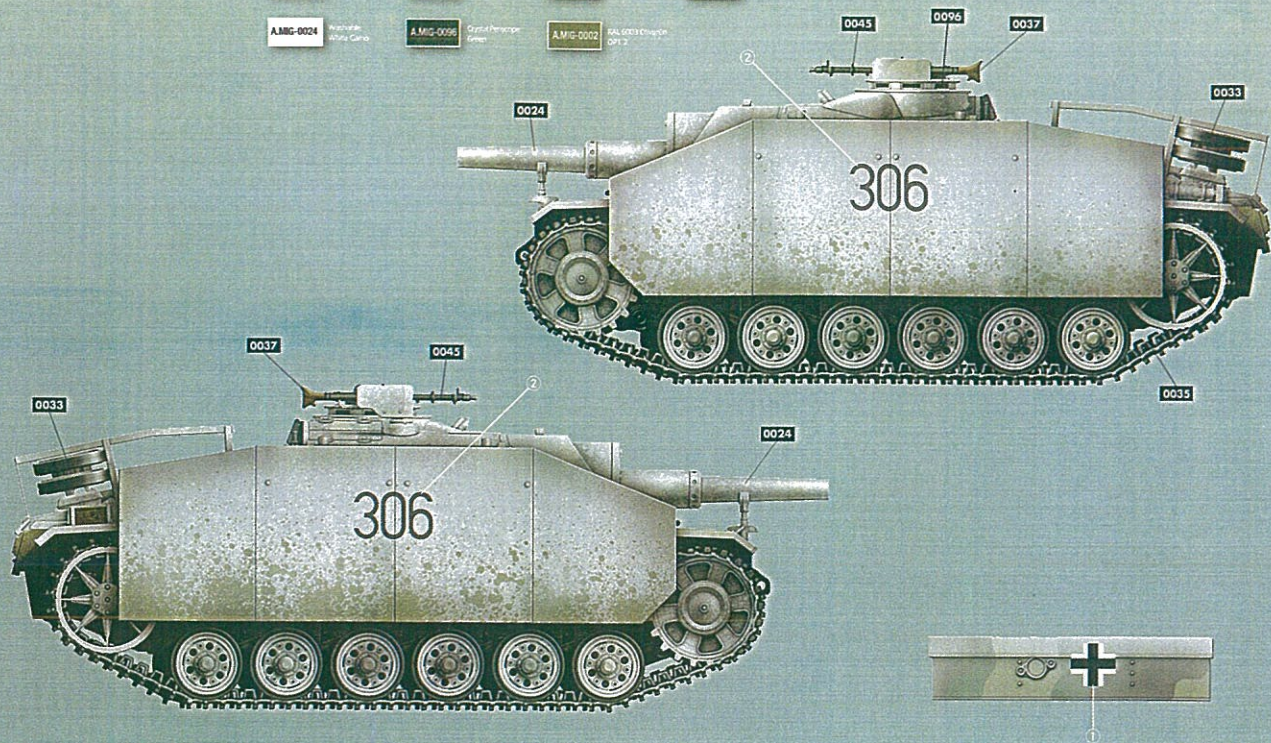
A.MIG-0045 Gun Sights

A.MIG-0037 Pine Wood

A.MIG-0024 Woodwork: White Gull

A.MIG-0096 Crystal Periscope Lens

A.MIG-0002 RAL 6003 Camouflage DPT 2



TAKOM

StuG III Ausf.G/ StuH 42 Late Production Ref: 8006

03.03.8006



StuG III Ausf.G/ StuH 42 Late Production



by MIG Jimenez

www.ammo.es

Painting and Marking Guide

A.MIG-0035 Dark Sands

A.MIG-0033 Rubber & Tint

A.MIG-0045 Gunmetal

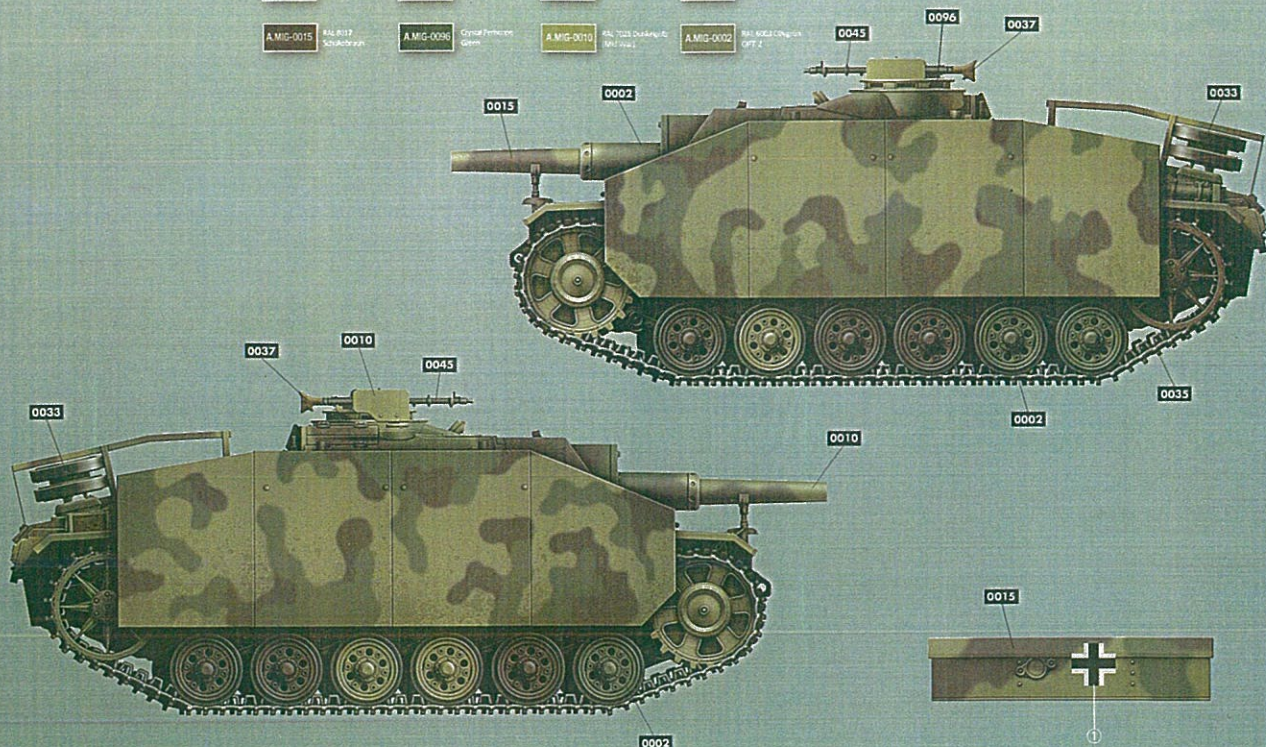
A.MIG-0037 Olive Drab

A.MIG-0015 RAL 8017 Schieferbraun

A.MIG-0096 Crystal Perfection Green

A.MIG-0010 RAL 7023 Dunkelgrün (M7) (M7)

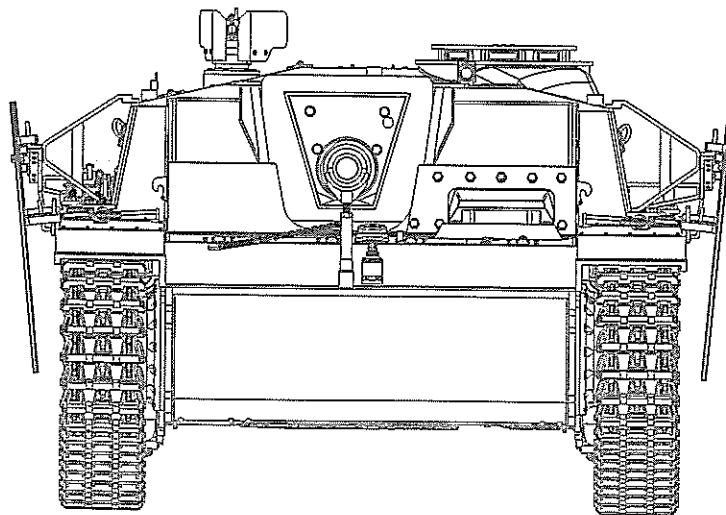
A.MIG-0002 RAL 8024 Olivgrün (PFF 2)



TAKOM

StuG III Ausf.G/ StuH 42 Late Production Ref: 8006

2021/8006



You can find TAKOM on Facebook.com