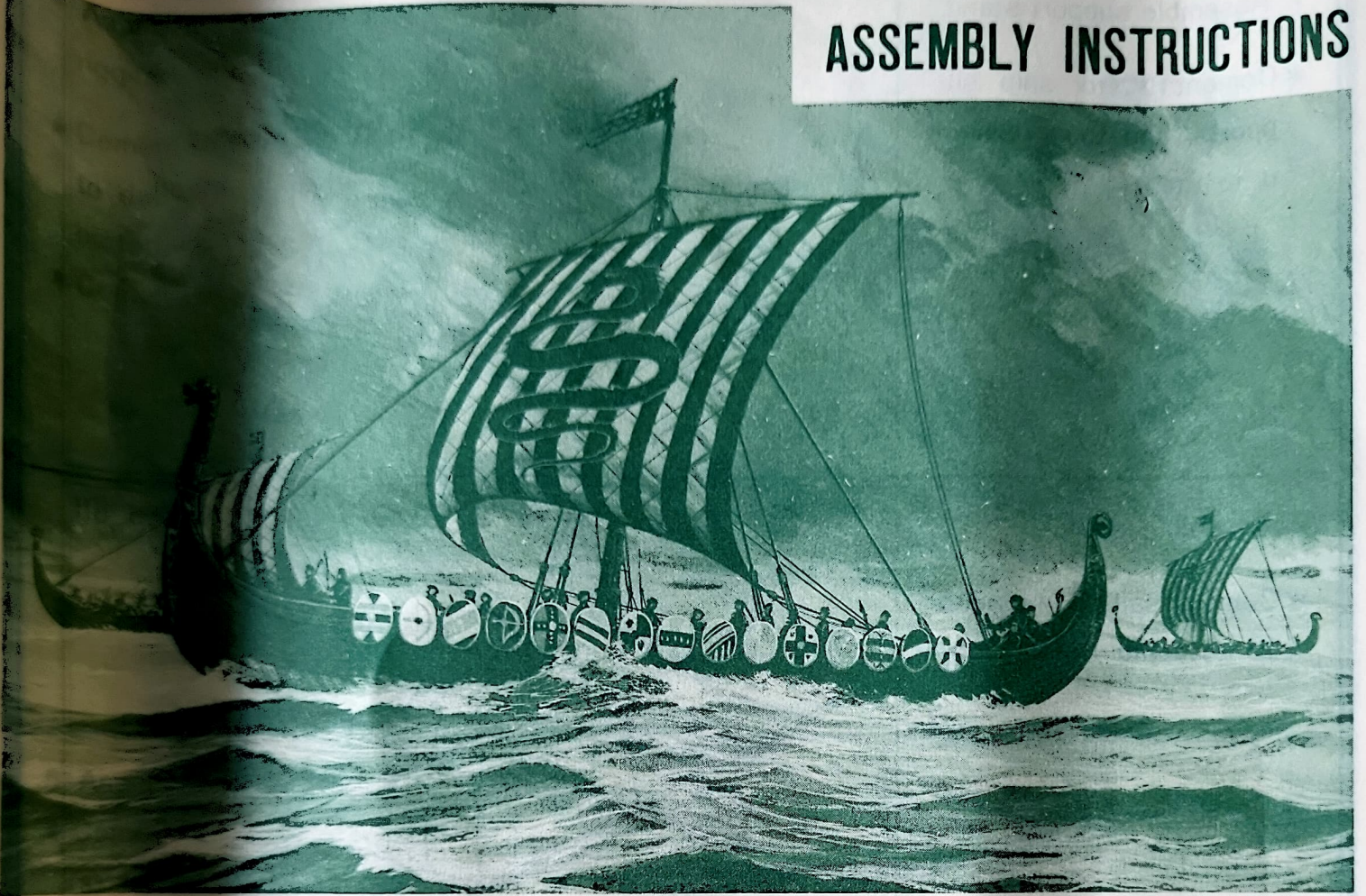


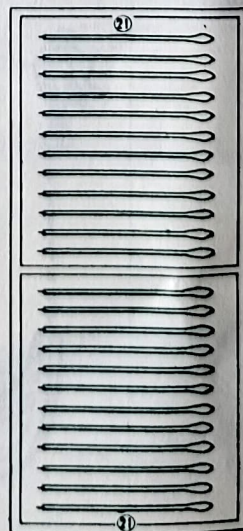
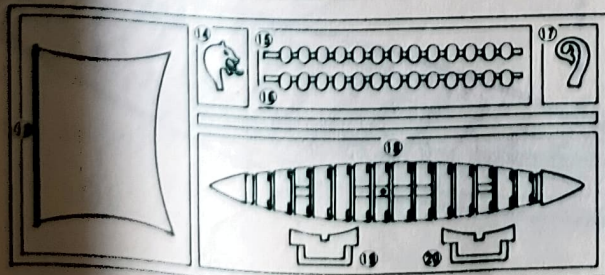
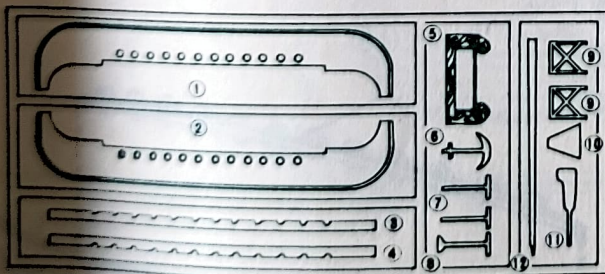
ASSEMBLY INSTRUCTIONS



VIKING SHIP KIT NO. B-292

"Before assembling your model, study illustrated picture carefully"

PARTS CHART

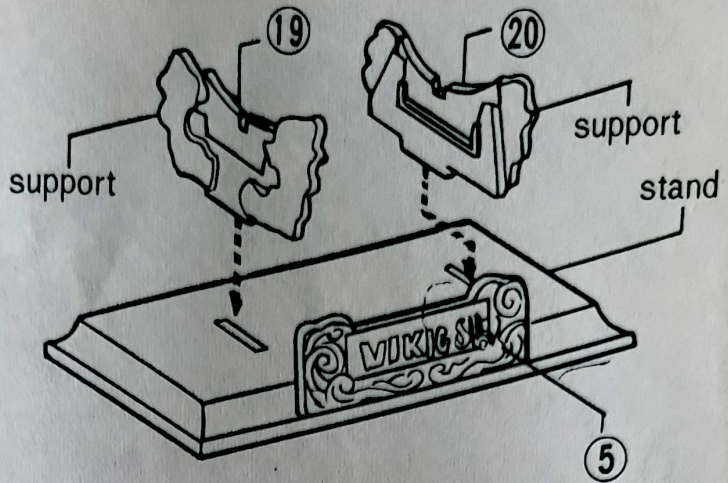


IMAI KAGAKU CO., LTD.

6-18-10. Kutunoya,
Shizuoka-shi, JAPAN

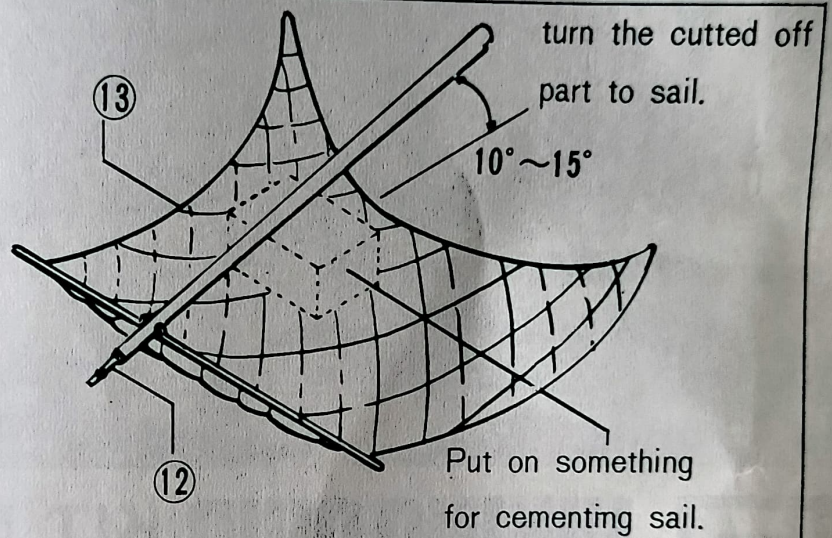
1. Assemble support stand.

* Cement ①② to ship supports, and then cement it to stand.



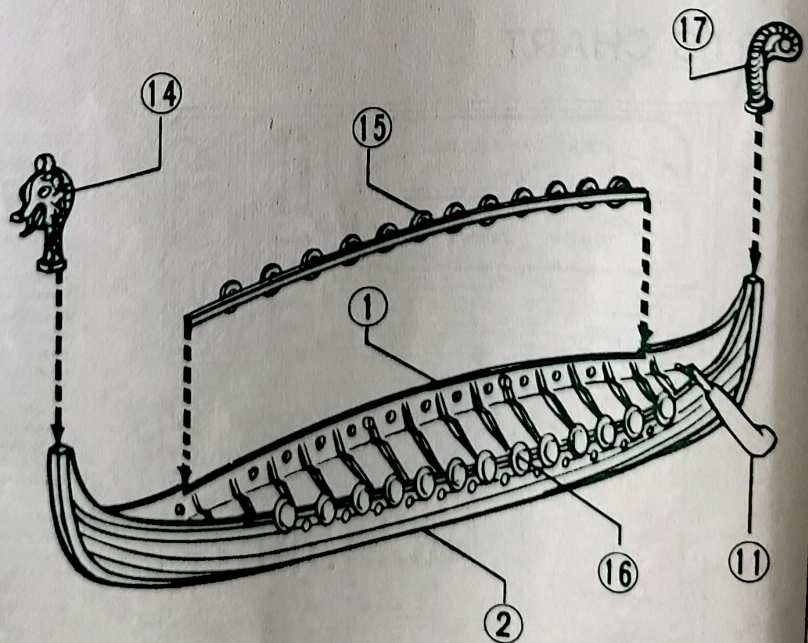
2. Assemble sail

* Cement sail ⑬ to mast ⑫ as illustrated picture.



3. Assemble ship

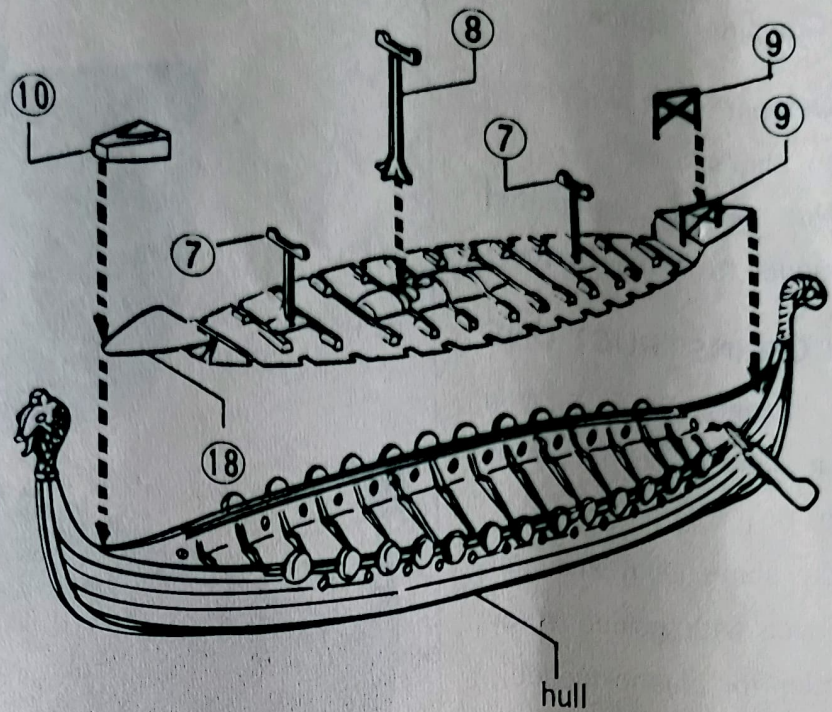
* Cement ① to ②, and then cement ⑪ ⑭ ⑮ ⑯ and ⑰ to it



4. Assemble deck and each riggings

* Cement each rigging parts to deck 18, as illustrated picture.

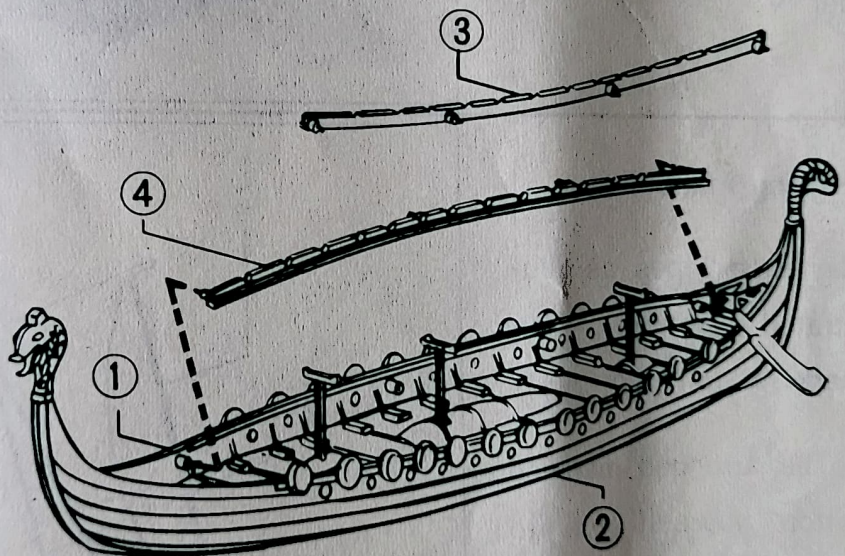
* Cement deck 18 to hull



5. Assemble oars holding

* Cement 4 to hull 1 and

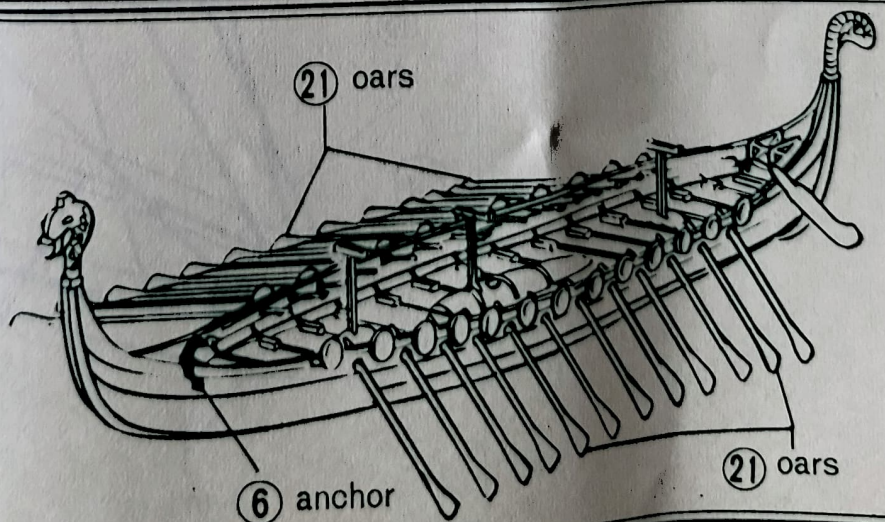
3 to hull 2



6. Assemble oars

* Cement oars 21 to ship

* Cement anchor to ship as illustrated picture



7. Complete picture

- * Cement mast with sail to ship's deck
- * Put on your completed model to display stand

COLOR INSTRUCTIONS

We suggest you special color instruction for your ship.

Spray ship's body and sail all over with golden spray lacquer for plastic model.

Paint support stand with brown lacquer for plastic model.



8. Rigging instruction

- * Rig each ropes as illustrated picture. (from mark A to B C D)
- * To be arranged machine cotton yourself for to make rigging ropes.

