



WINGSPAN—119FT
LENGTH —101FT
HEIGHT — 33FT

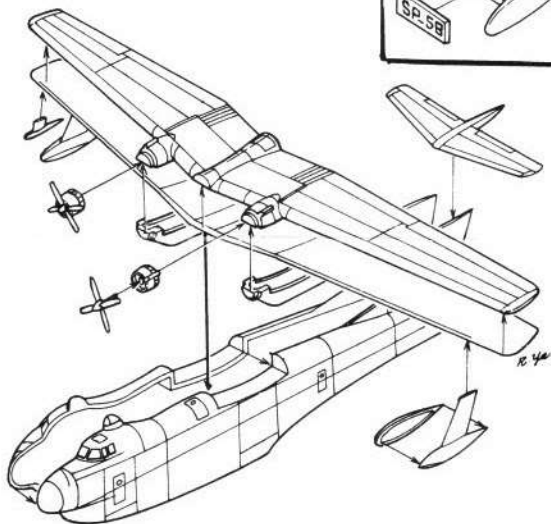
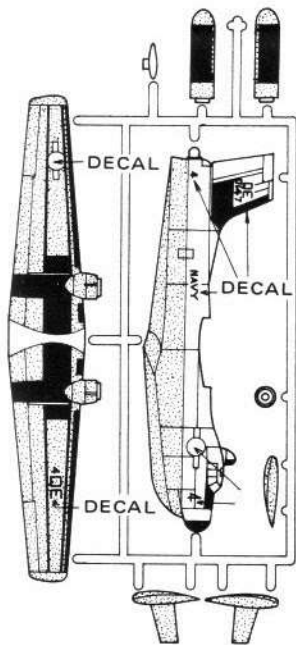
MARTIN SP-5B

$\frac{1}{240}$ SCALE

INSTRUCTIONS

Cut parts from the plastic frame as required for assembly. Cement together using a good plastic model kit cement. Begin with the fuselage; then the wings. Use nail cutters or a hobby knife to remove from the frame and to remove any surplus plastic. After assembly, you can paint your model using kit enamel. Use the color guide below or the picture on the package. Apply decals when the paint is dry. Assemble the display stand as shown on the right.

DISPLAY STAND



WHITE BLUE SILVER

