



# Revell®

# A-7 A CORSAIR II

4024-3800



THE U.S. NAVY'S CORSAIR II WAS DESIGNED AS A REPLACEMENT FOR THE DOUGLAS A-4 SKYHAWK LIGHT ATTACK BOMBER. TO SIMPLIFY DEVELOPMENT OF THE CORSAIR, LTV ENGINEERS BASED THEIR DESIGN ON THEIR HIGHLY SUCCESSFUL F-8 CRUSADER SUPERSONIC FIGHTER. INTENDED TO DELIVER A HEAVY LOAD OF BOMBS AFTER TAKING-OFF FROM A CARRIER AT SEA, SUPERSONIC SPEED WAS NOT REQUIRED AND THE ATTACK BOMBER COULD BE MADE LIGHTER AND STILL BE STURDY ENOUGH FOR THE MISSION. AS A RESULT OF THIS APPROACH, THE

NAVY RECEIVED A VERY CAPABLE BOMBER WITH THE ABILITY TO CARRY ITS OWN WEIGHT IN BOMBS.

ALTHOUGH DESIGNED FOR THE NAVY SPECIFICALLY AS A BOMBER, THE U.S. AIR FORCE HAS ADOPTED THE CORSAIR II AS A FIGHTER-BOMBER. DEFENSIVE ARMAMENT CONSISTS OF TWO 20MM CANNONS AND A PAIR OF SIDEWINDER MISSILES. SINCE THE CORSAIR II IS NOT SUPERSONIC, ITS MAXIMUM SPEED IS 520 MPH, IT MUST DEPEND ON ITS GREAT MANEUVERABILITY, IN ADDITION TO ITS ARMAMENT, FOR DEFENSE.

**ENGLISH:** ASSEMBLY DRAWINGS SHOULD BE REVIEWED BEFORE PROCEEDING WITH CONSTRUCTION. A NUMBER IDENTIFIES EACH PLASTIC PART FOR YOUR CONVENIENCE. PAINT SMALL PARTS ON RUNNER BEFORE REMOVING. ALLOW PAINT TO DRY THOROUGHLY BEFORE CONTINUING ASSEMBLY OF KIT. SCRAPE CHROME OR PAINT AT AREA TO BE GLUED. WASH PLASTIC IN MILD DETERGENT SOLUTION. RINSE AND LET DRY FOR BETTER PAINT AND DECAL ADHESION.

**FRAÇAIS:** ÉTUDIEZ LES SCHEMAS DE MONTAGE AVANT DE COMMENCER LA CONSTRUCTION. UN NUMERO IDENTIFIE CHAQUE PIECE EN PLASTIQUE POUR PLUS DE FACILITE. PEIGNEZ LES PETITES PIECES SUR LE COUREUR AVANT DE LES ENLEVER. LAISSEZ SECHER LA PEINTURE AVANT DE CONTINUER LE MONTAGE DU KIT. GRATTEZ LE CHROME OU LA PEINTURE DANS LES ZONES QUI DOI-

VENT ÊTRE COLLÉES. PUIS, LAVEZ LE PLASTIQUE DANS UNE SOLUTION FAIBLE DE DÉTERGENT, RINCEZ ET LAISSEZ SÉCHER À L'AIR POUR ASSURER UNE MEILLEURE ADHÉRENCE DE LA PEINTURE ET DES DÉCALCOMANIES.

**ESPAÑOL:** ESTUDIE LOS PLANOS DE MONTAJE ANTES DE INICIAR LA CONSTRUCCION. PARA FACILITAR LAS COSAS, CADA PIEZA DE PLASTICO LLEVA UN NUMERO DE IDENTIFICACION. PINTA LAS PIECITAS DEL CORREDOR ANTES DE QUITARLAS. PERMITA QUE LA PINTURA SE SEQUE BIEN ANTES DE PROSEGUIR EL MONTAJE DEL EQUIPO. RASPE EL CROMO O LA PINTURA DE LAS ZONAS QUE SE VAYAN A ENCOLAR. LAVE EL PLASTICO EN UNA SOLUCION LIGERA DE DETERGENTE, ENJUAGUELO Y DEJALO SECAR AL AIRE PARA OBTENER UNA MEJOR ADHERENCIA DE LA PINTURA Y LAS CALCOMANIAS.



GLUE  
COLLE  
COLA



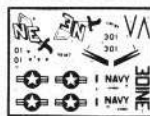
NO GLUE REQUIRED  
PAS BESOIN DE COLLE  
NO SE REQUIERE COLA



DO IT THIS MANY TIMES  
LE FAIRE CE NOMBRE DE FOIS  
HAGALO TODAS ESTAS VECES



OPTIONAL  
OPTIONNEL  
OPCIONAL



APPLY DECALS  
COLLEZ LES DÉCALCOMANIES  
PEGUE LAS CALCOMANIAS



SHOWN ASSEMBLED  
PRÉSENTÉ ASSEMBLÉ  
SE PRESENTA MONTADO

31

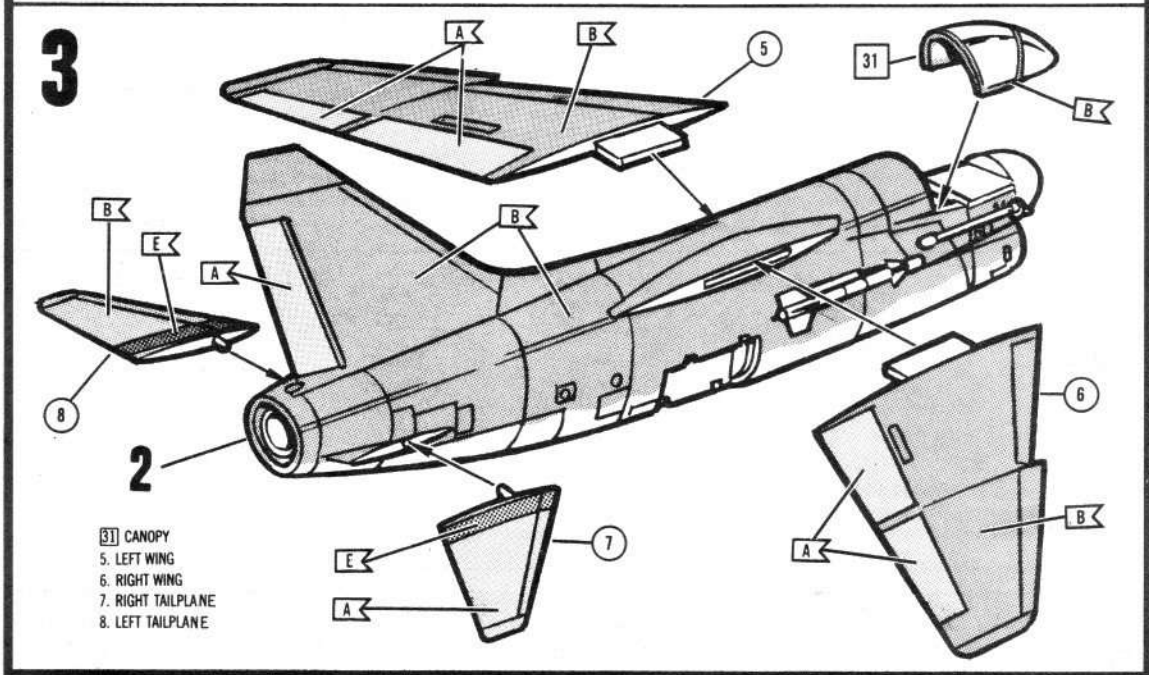
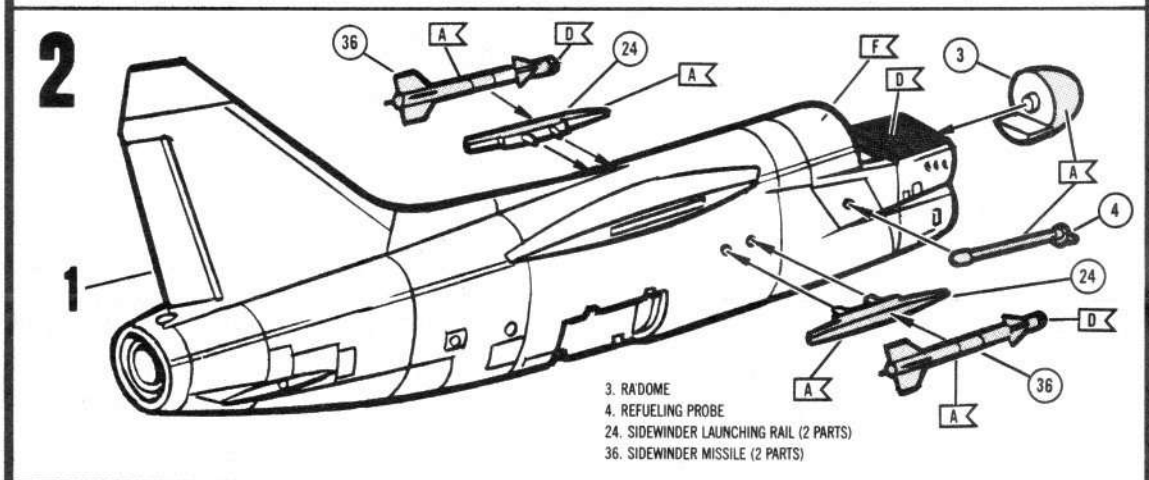
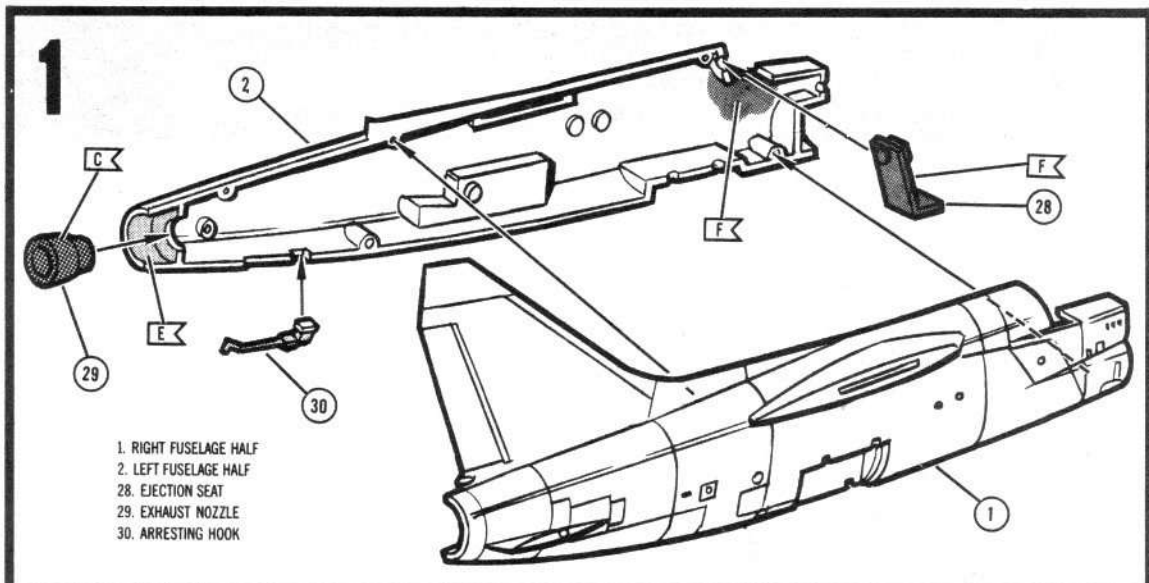
CLEAR  
TRANSPARENT  
TRANSPARENTE

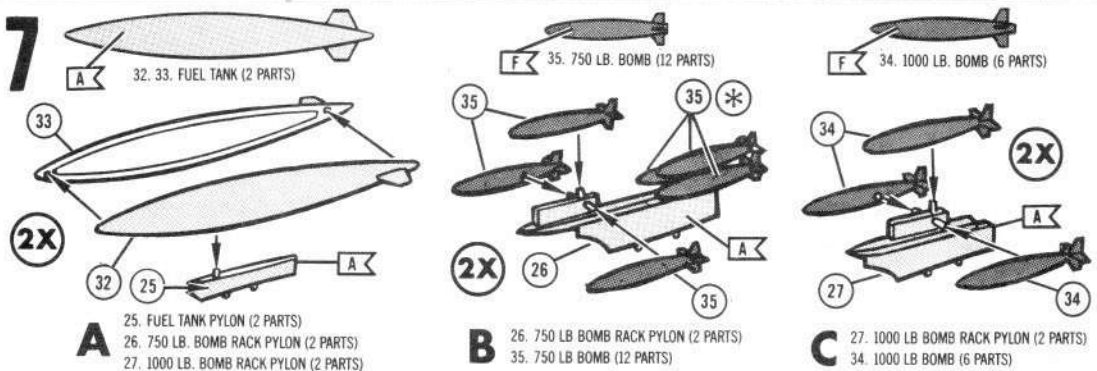
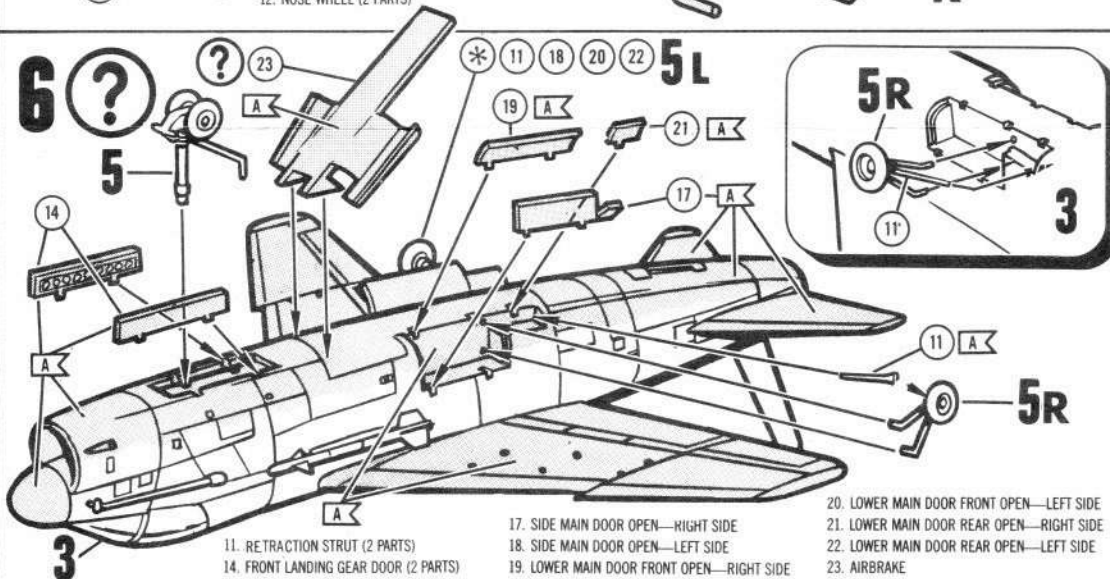
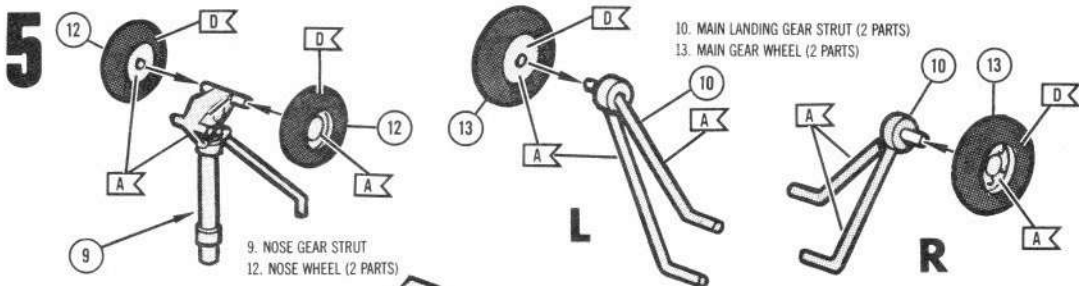
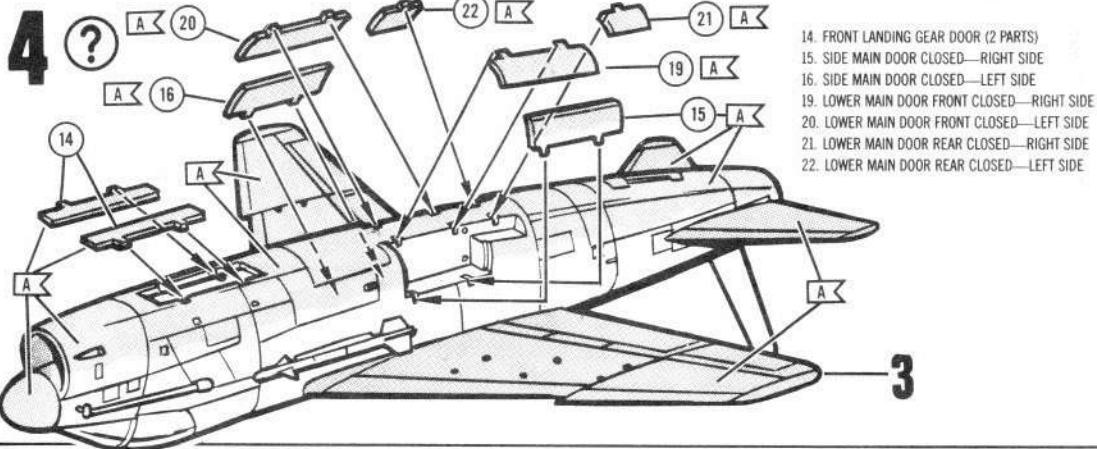
2

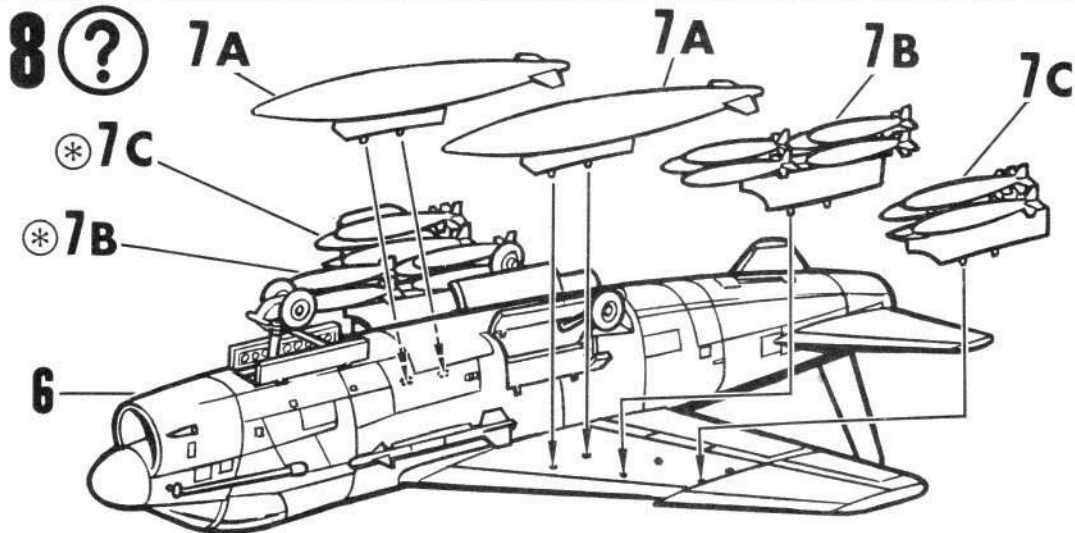
GRAY  
GRIS  
GRIS

<b>A</b>	WHITE	BLANC	BLANCO
<b>B</b>	LIGHT GREY	GRIS CLAIR	GRIS PALIDO
<b>C</b>	GUN METAL	MÉTAL D'ARMES	GRIS REVOLVER

<b>D</b>	MATT BLACK	NOIR MAT	NEGRO MATE
<b>E</b>	MATT MEDIUM GREY	GRIS MOYEN MAT	GRIS MEDIANO MATE
<b>F</b>	MATT DARK OLIVE	OLIVE FONCE MAT	OLIVA OSCURO MATE







9

