

1:32 Scale 美国海军 SBD-1/2 “无畏”俯冲轰炸机

U.S. NAVY SBD-1/2 “Dauntless”

READ BEFORE ASSEMBLY:

- This kit is not recommended for inexperienced modelers or for children under 14 years of age
- Study and understand these instructions thoroughly before beginning assembly
- When needed, remove photo-etch parts carefully using a modeling knife or photo etch sprue cutter, being careful not to damage or lose small parts.
- Take extra care in handling photo etch parts in order to avoid injury
- Apply instant cement sparingly to photo etch parts where instructed
- Tools recommended(not included in kit):Plastic and instant cements,sprue cutters,long nose pliers,,modeling knife, small files, tweezers, pin vise & scissors. Soft cloth and sandpaper will also assist in construction
- Glue and paint are not included in the kit. Use plastic cement and hobby paints only. Color guide for purchasing paint is included in the kit.
- Keep out of reach of small children. They must not be allowed to ingest small parts or handle plastic bags in any way.

装配之前仔细阅读

- 小心用模型锉刀锉平所有零件表面的注射浇口。
- 小心用刀片切下蚀刻片零件，不要遗失小零件。
- 用强力快干胶水粘合蚀刻片零件和金属轴。过量的快干胶水使用可能导致可动零件会粘住，小心涂胶。
- 取蚀刻片时应特别注意安全，防止利边划伤手指。
- 某些零件表面需贴上水贴纸，请选择在装配的同时进行。
- 推荐模型工具(自备)：胶水，水口剪刀，长咀钳，刀片，锉刀，镊子钳，钻，剪刀，瞬间快干胶。
- 软布同砂纸同时也应该是必备工具。
- 请使用塑料胶水和油漆，模型内不含。
- 谨防小孩吸吮塑料零件，或者将塑料袋套在头上，制作时应将套材远离小孩接触。
- 本产品不适合14岁以下没有经验的模型爱好者

水贴纸的使用:

1. 从水贴上剪下印花;
2. 将印花放入温水中浸10秒，然后放在干净布上。
3. 拿着印花纸板将印花移到模型上;
4. 手指蘸水将印花移到适当的位置;
5. 用软布轻压印花直至水干，气泡消失。

DECAL APPLICATION:

1. Cut decals from sheet as needed
2. Dip the decal in warm water for about 10 seconds and then place on soft clean cloth.
3. Hold the decal backing sheet edge and gently slide the decal onto the model in its proper position.

4. While still wet, decal can be adjusted for better fit on model by dampening it gently with your finger.
5. When placed in the proper position, gently press decal down with a soft cloth until excess water and air bubbles are gone.
6. Allow decal to dry completely before handling model



cyanocrylate glue
使用强力胶



weight
配重



make hole
钻孔



cut / remove
切除



option
选择



no cement
不涂胶水



decal
贴纸

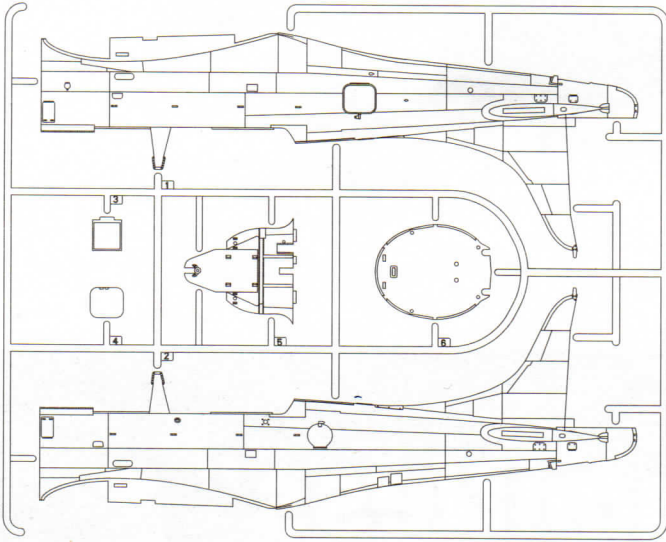


bend
弯曲

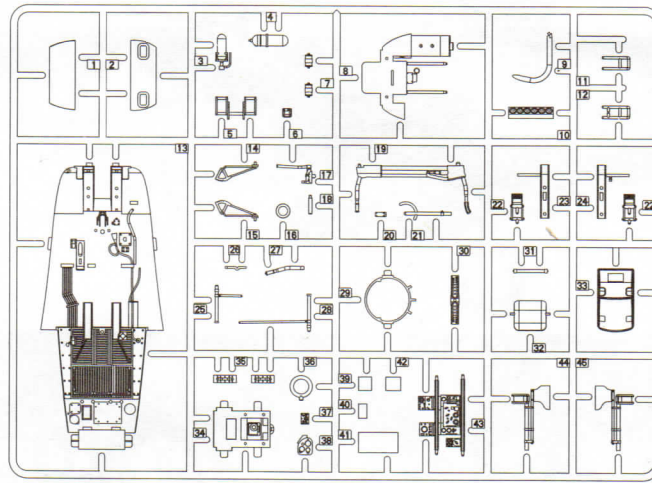


file / sand
锉平

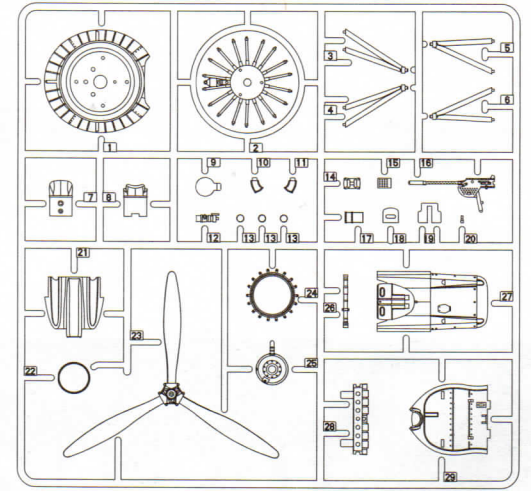
A



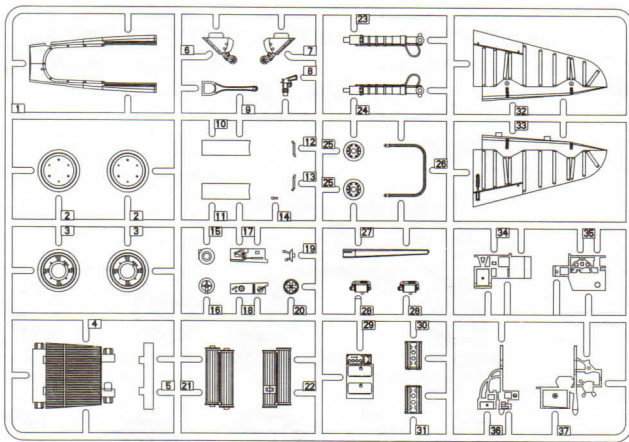
C



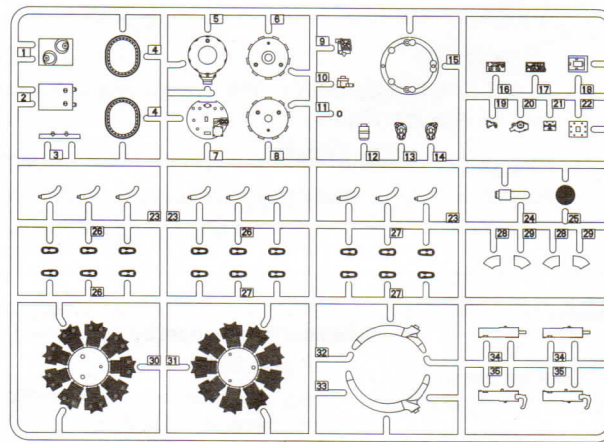
H



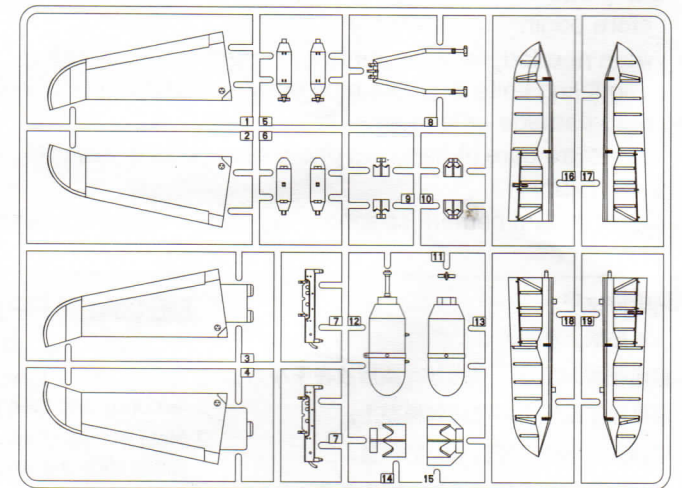
D



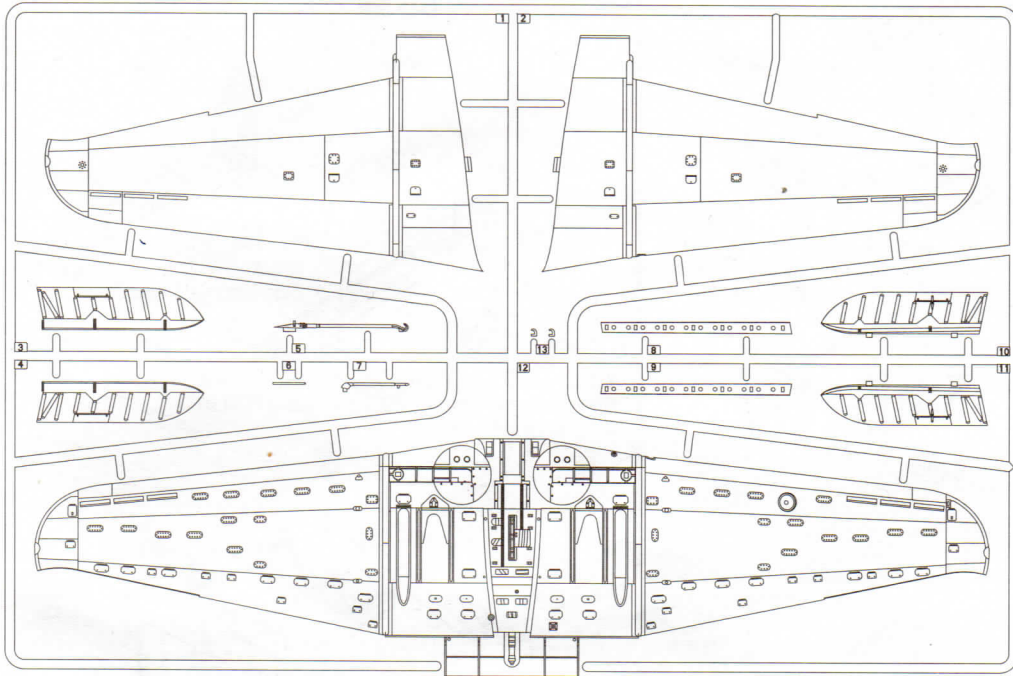
E



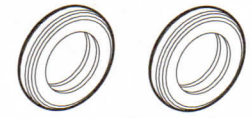
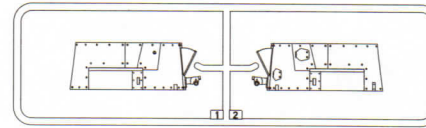
F



B

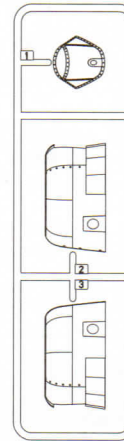


P



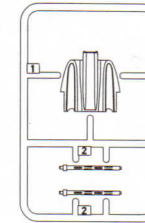
主轮胎
Main tires

N

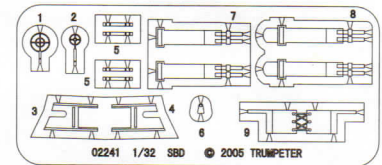


尾轮胎
Tail tire

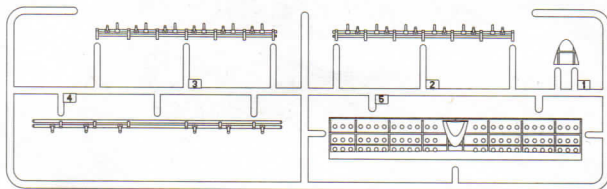
J



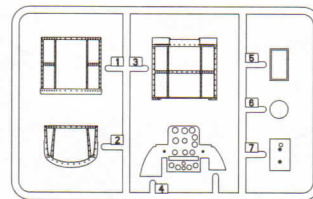
蚀刻片
Photo Etched parts(PE)



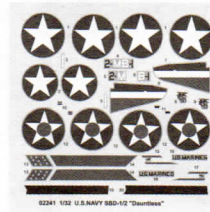
G1



L



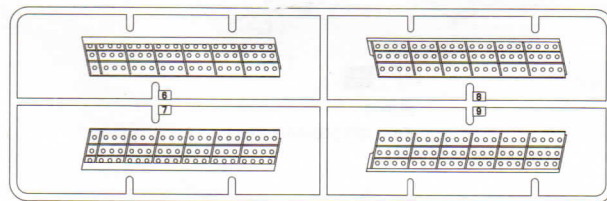
水贴纸
Decal



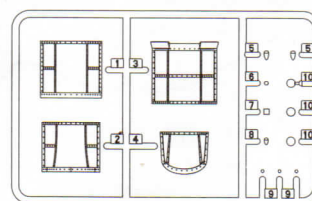
菲林片
Film



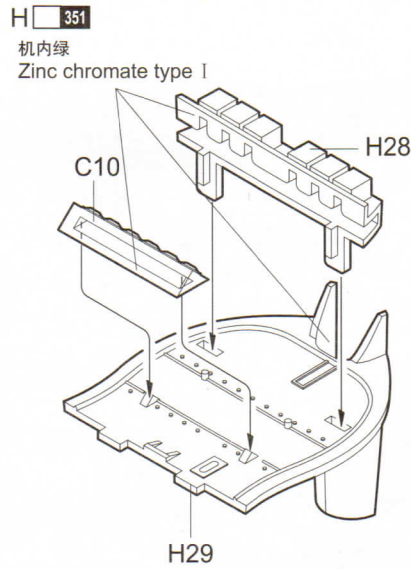
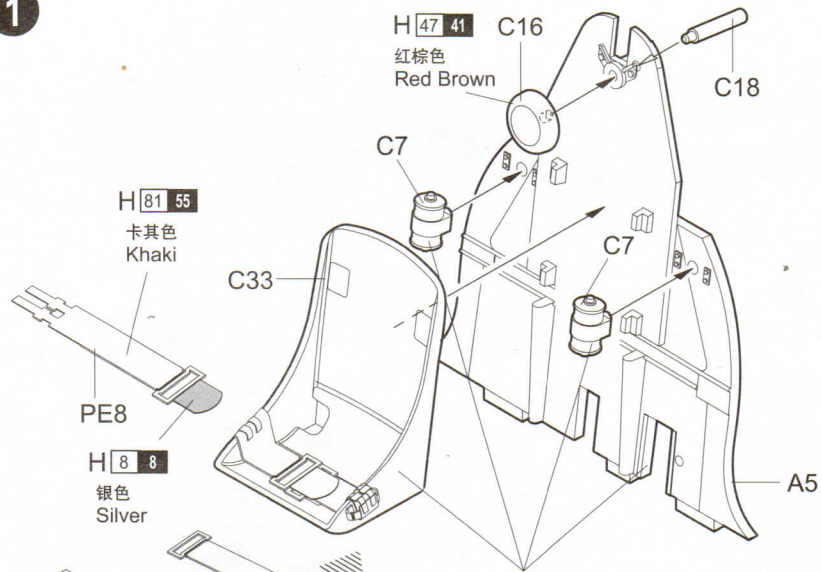
G2



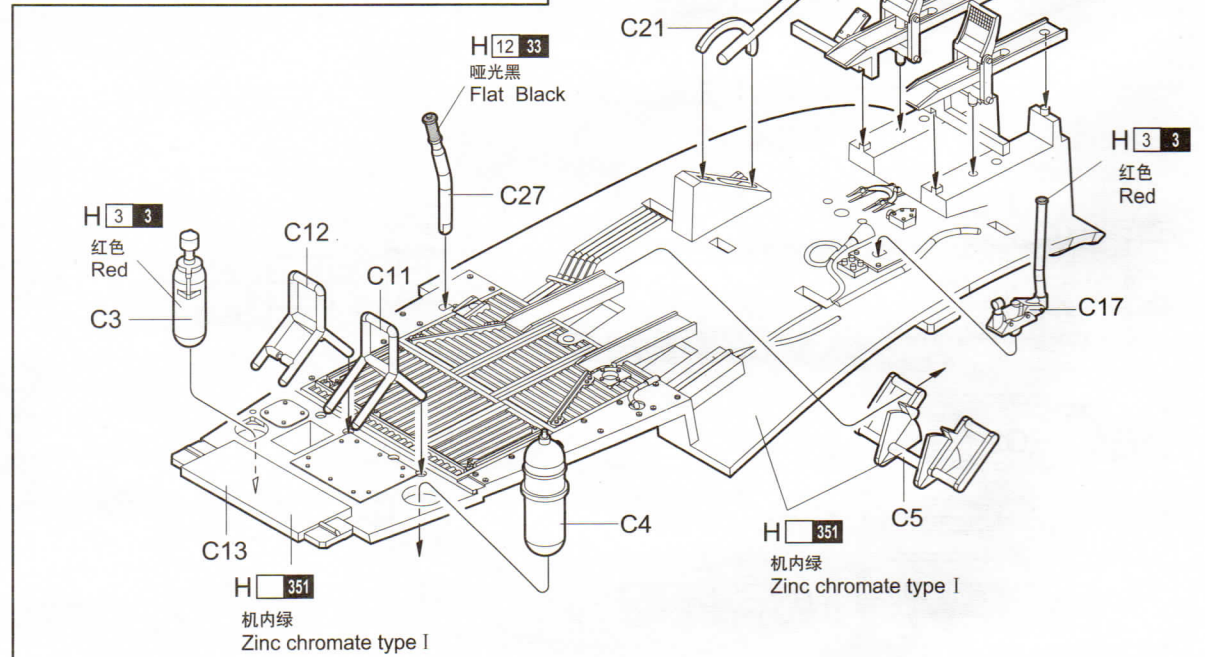
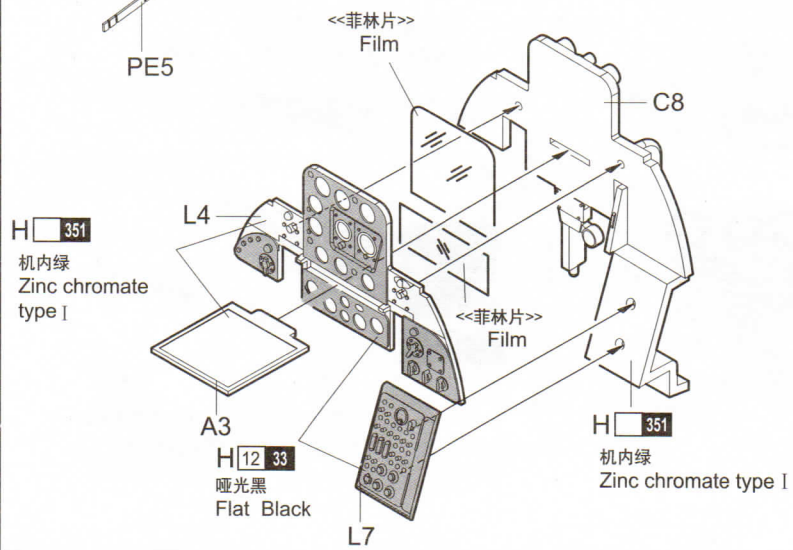
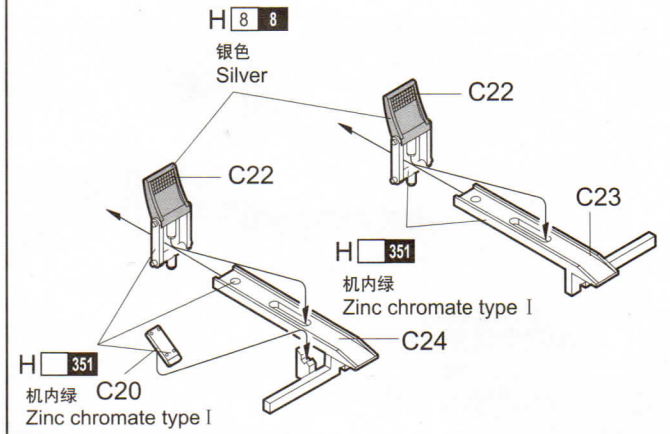
M

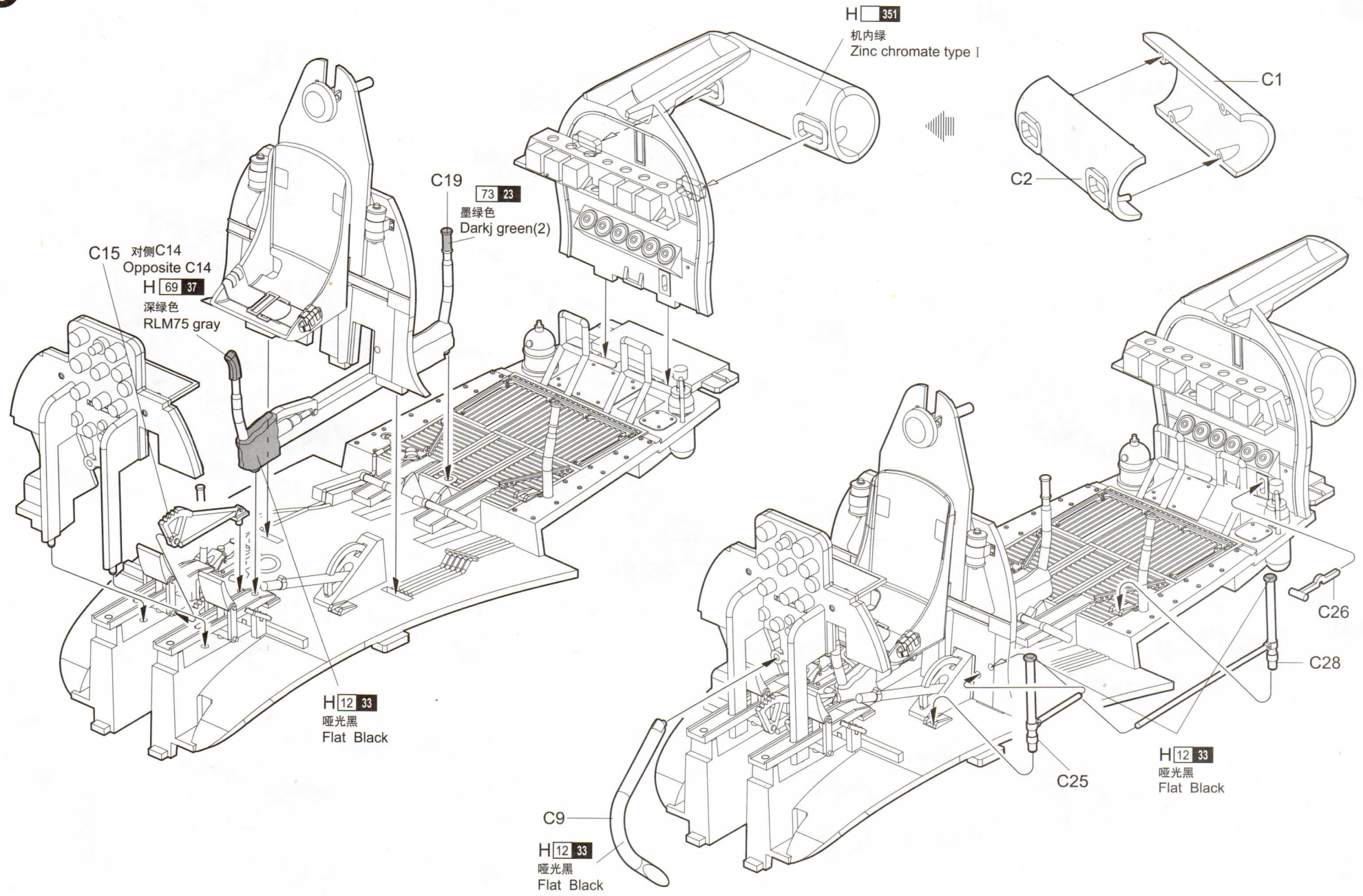


1

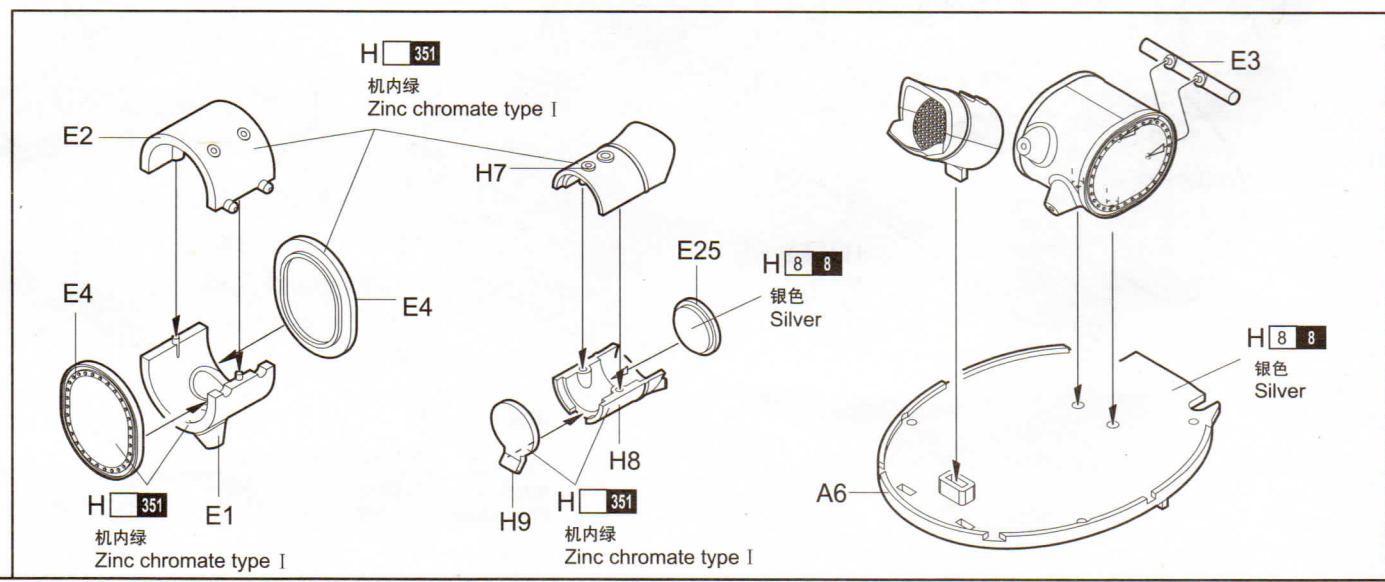
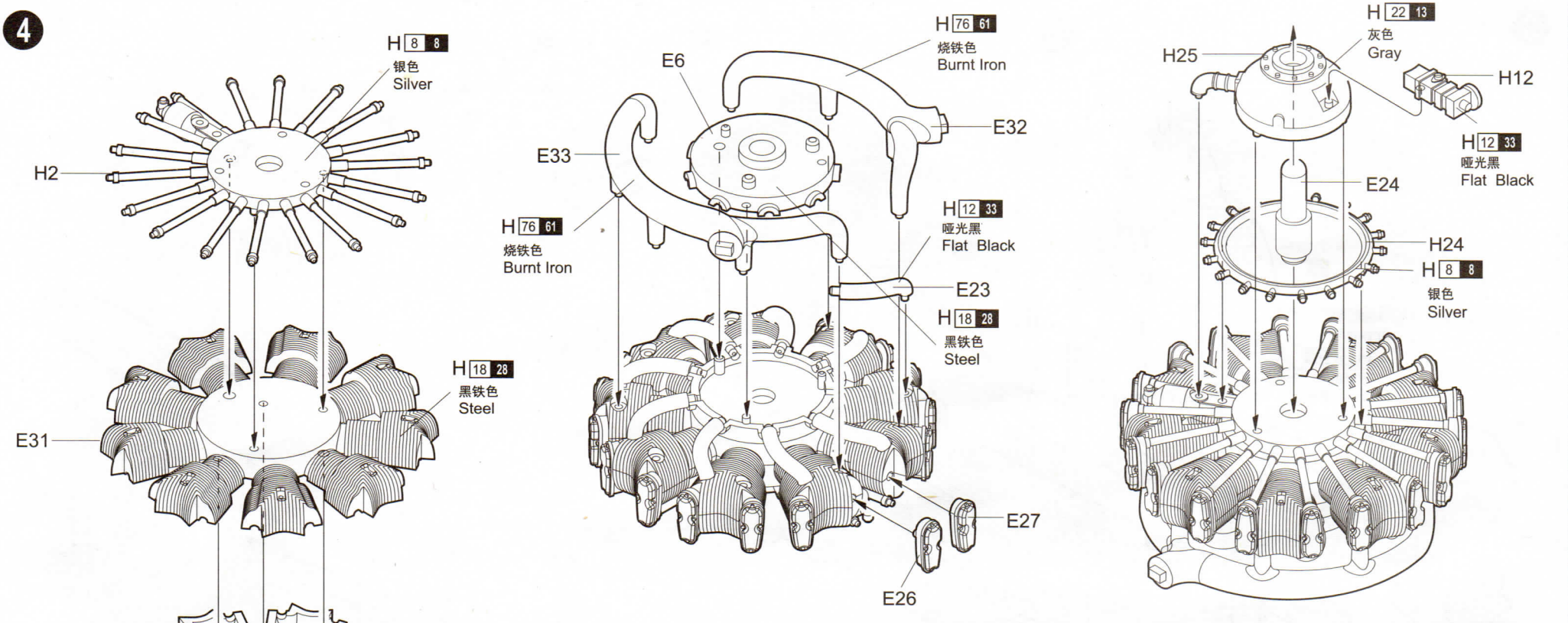


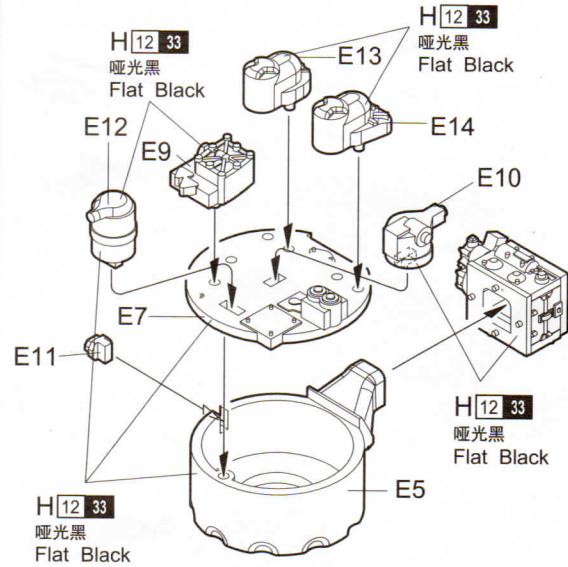
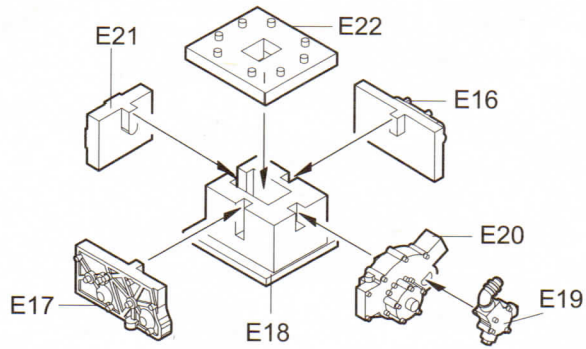
2



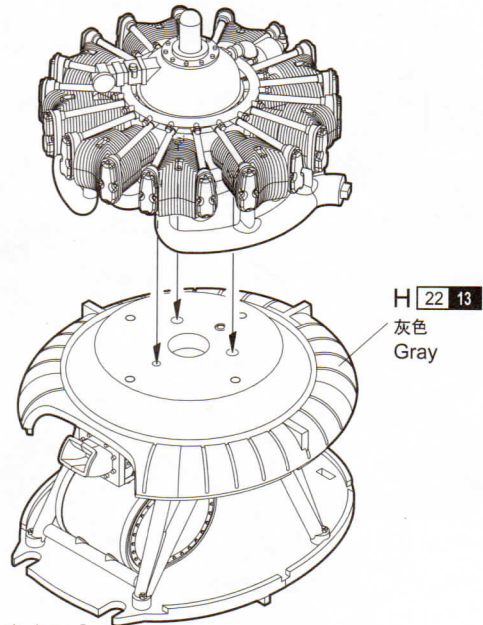
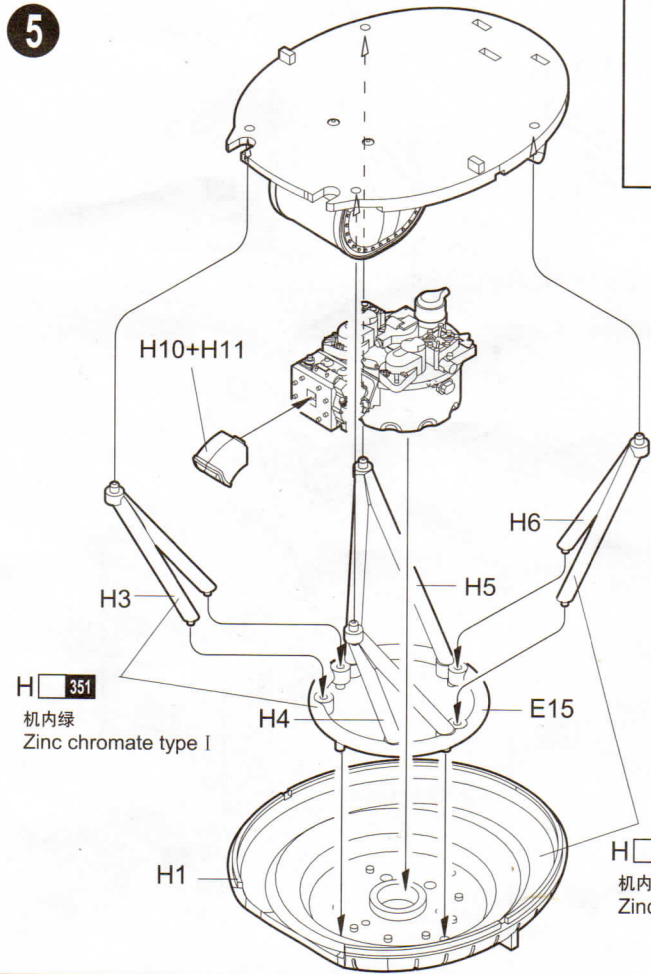


4

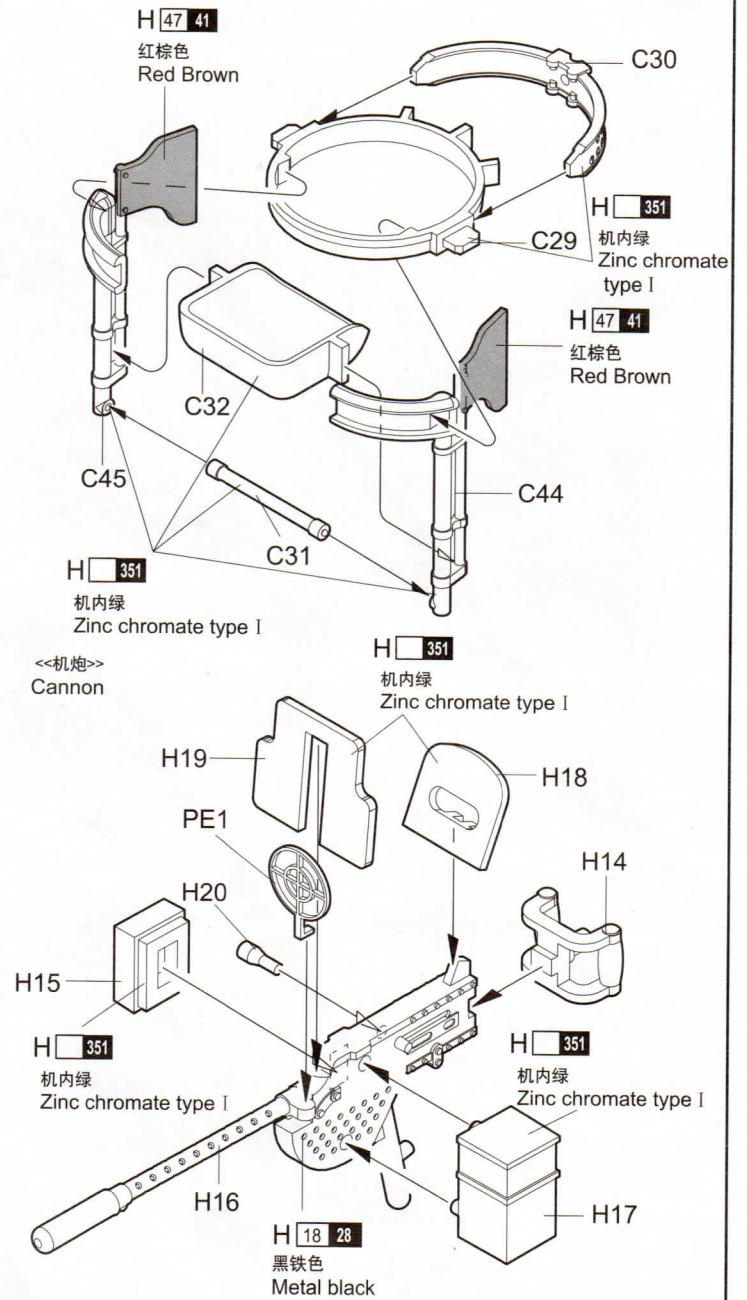


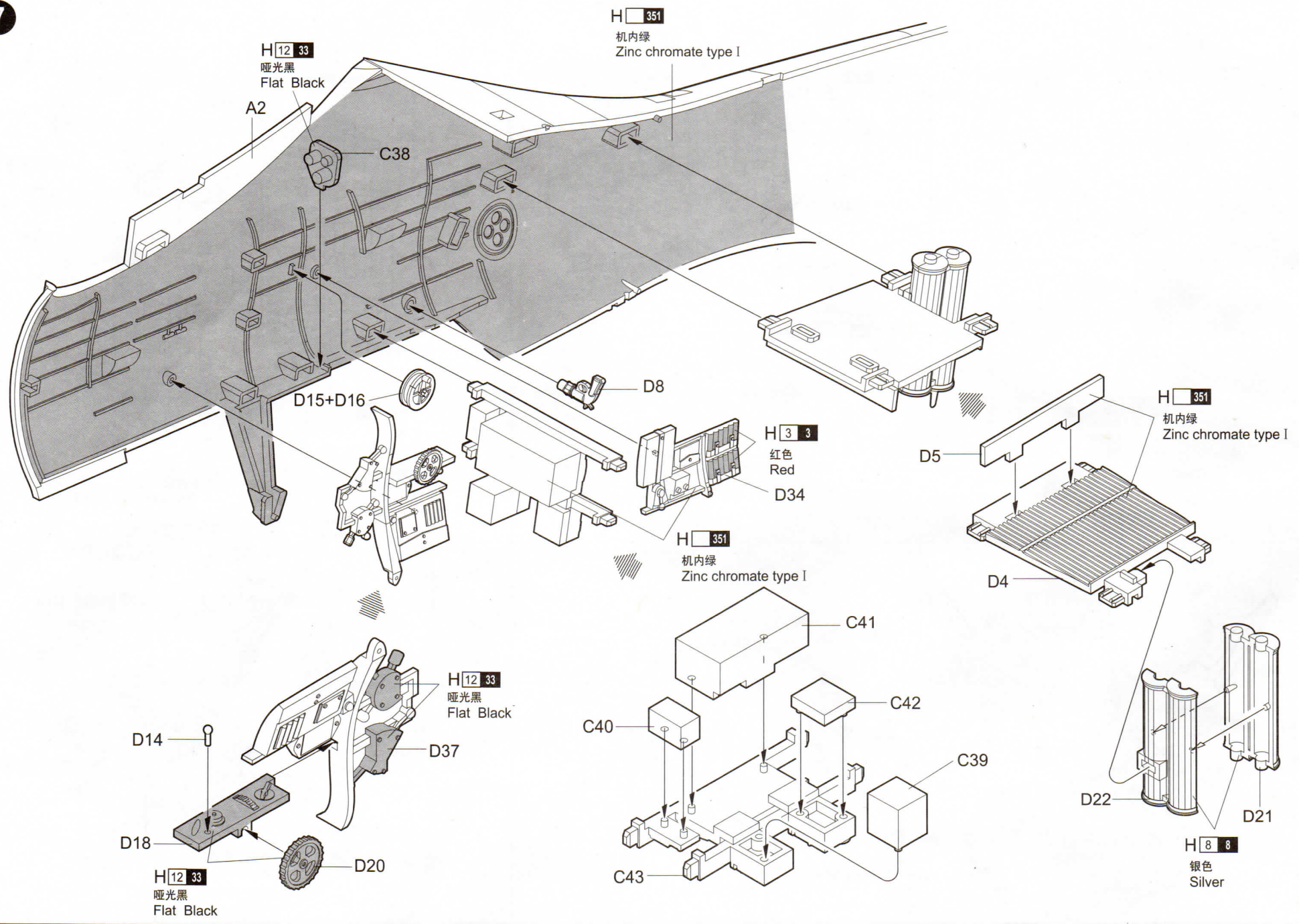


5

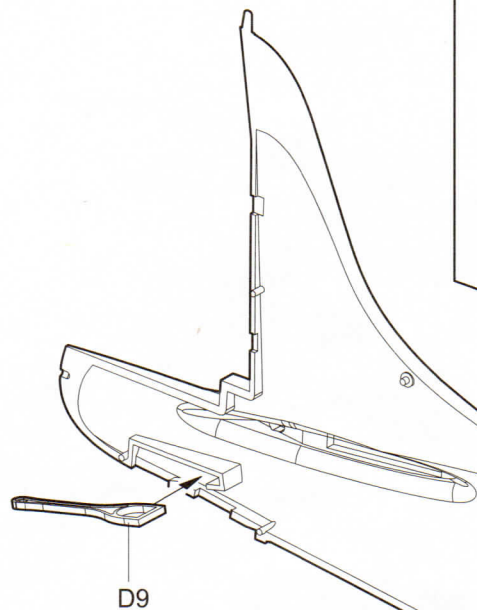


6

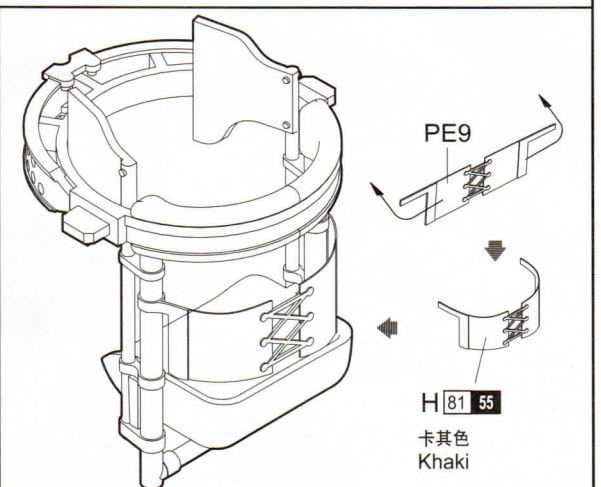
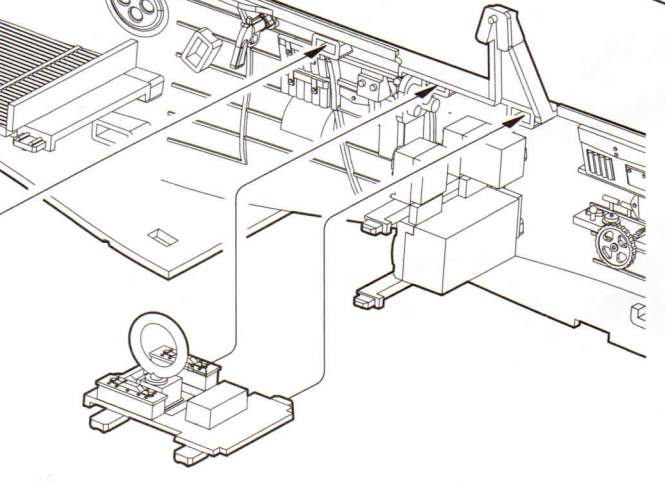
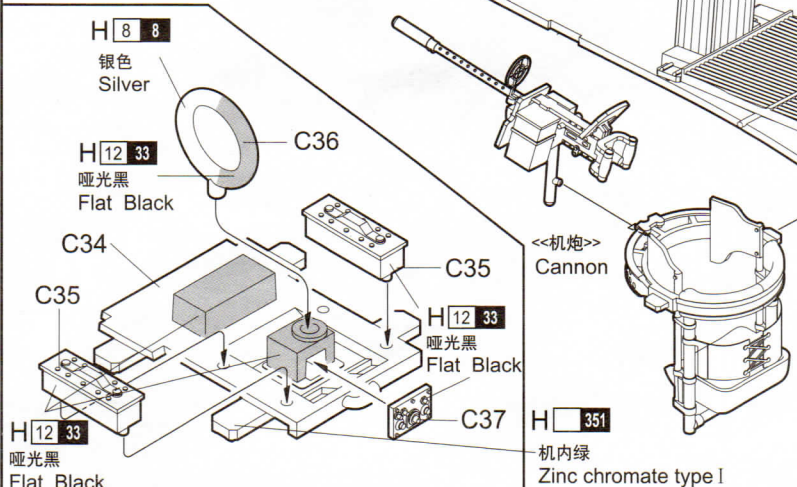
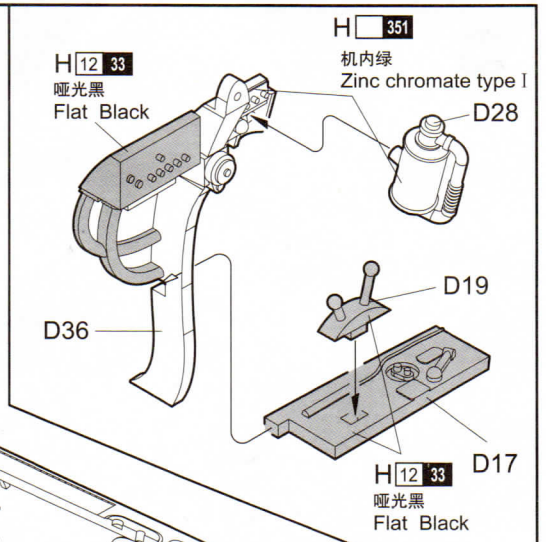
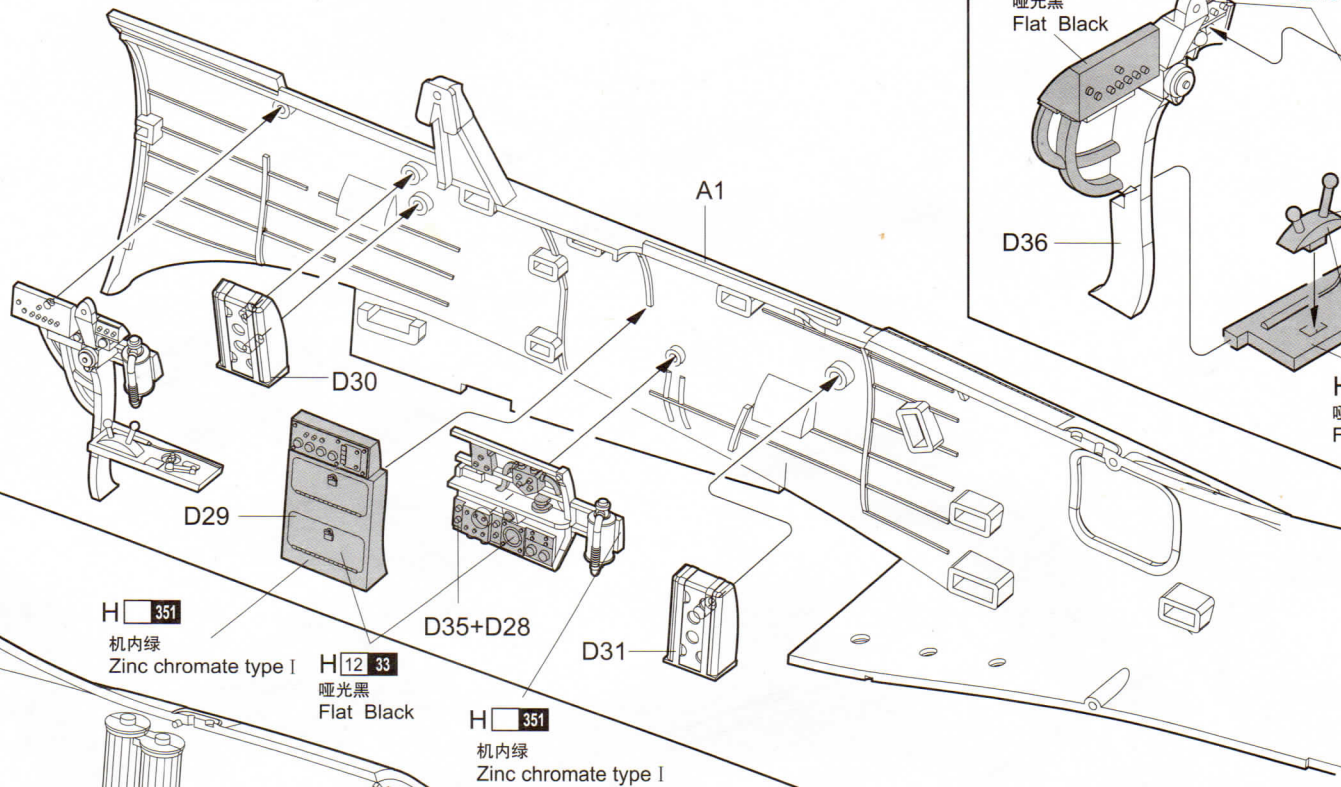


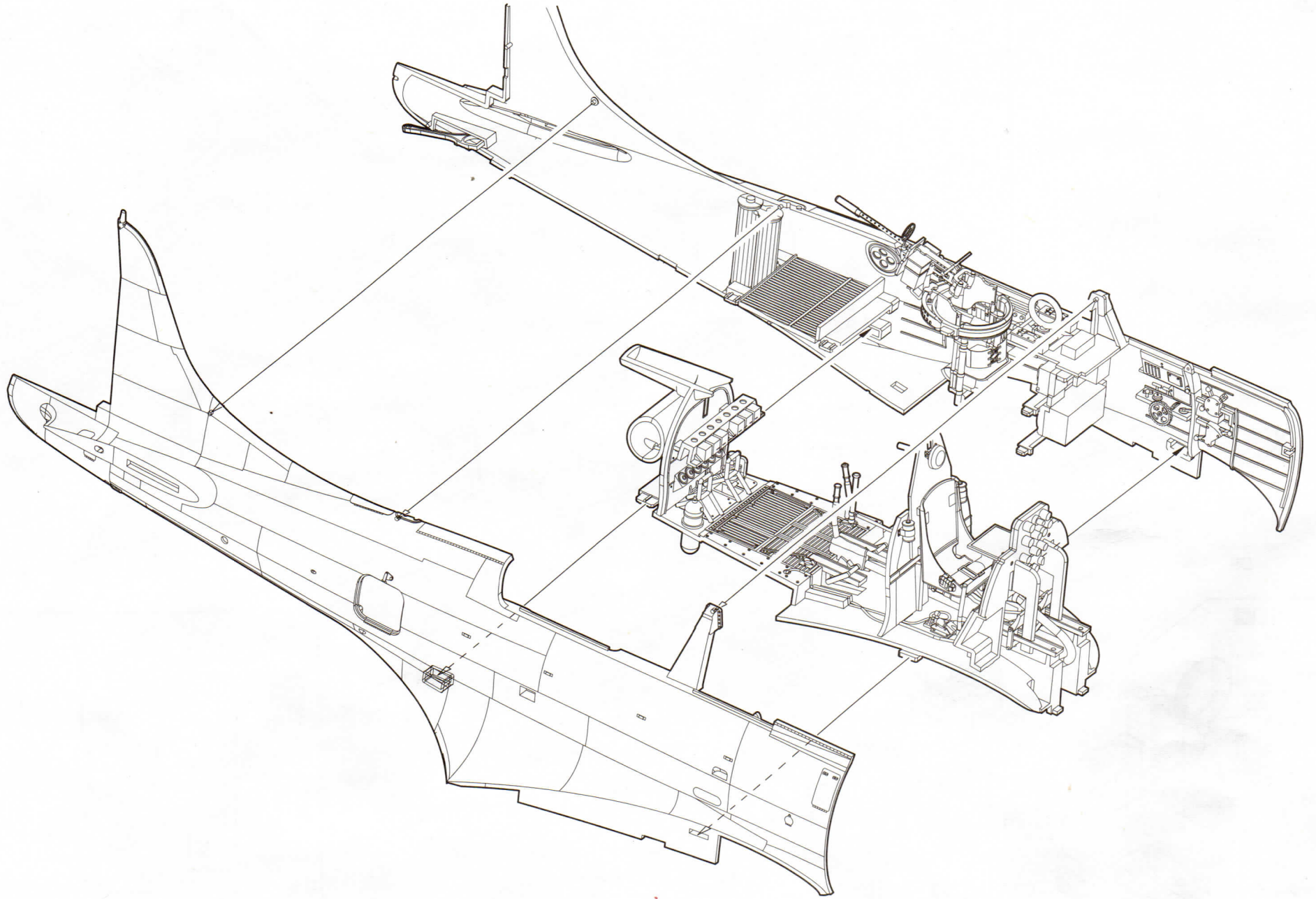


8



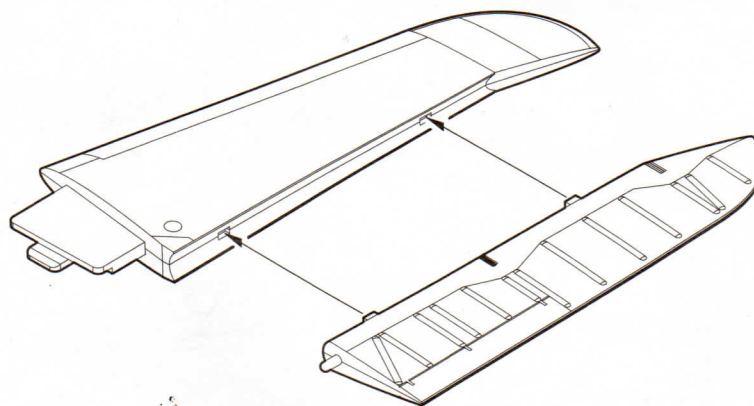
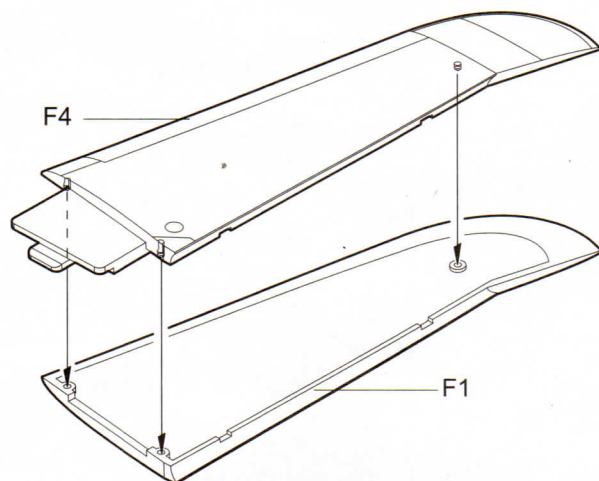
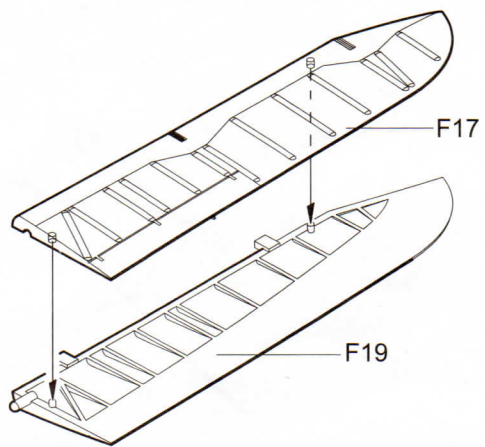
9





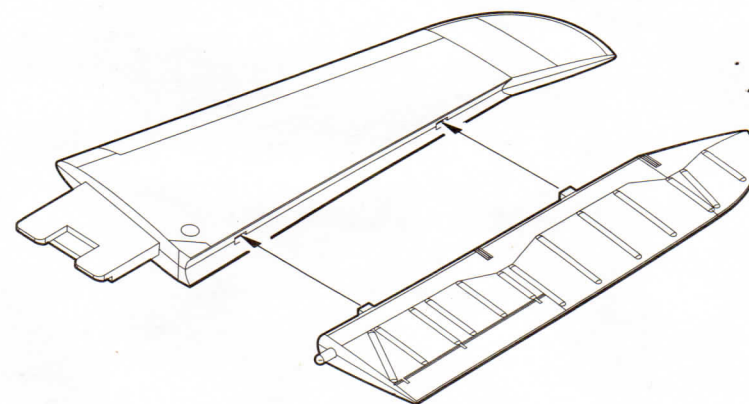
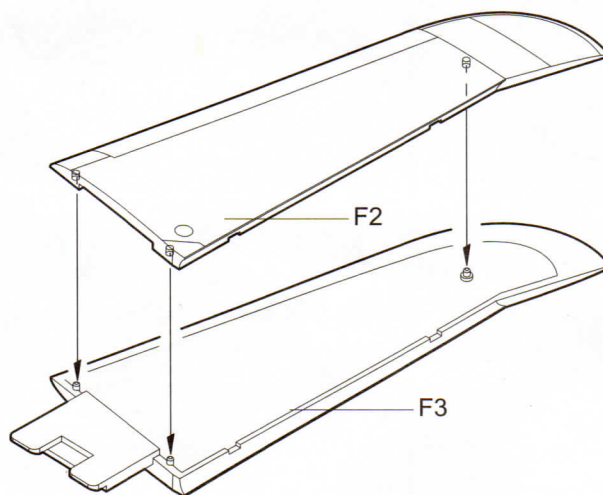
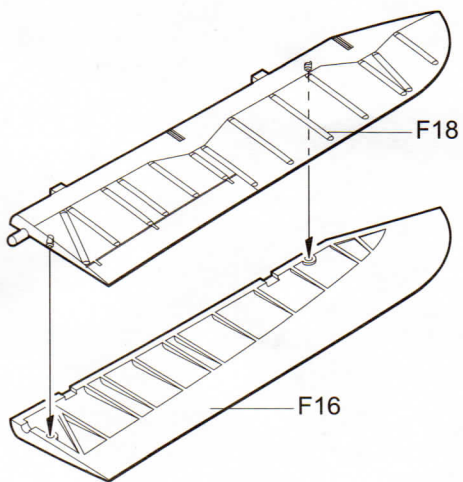
11

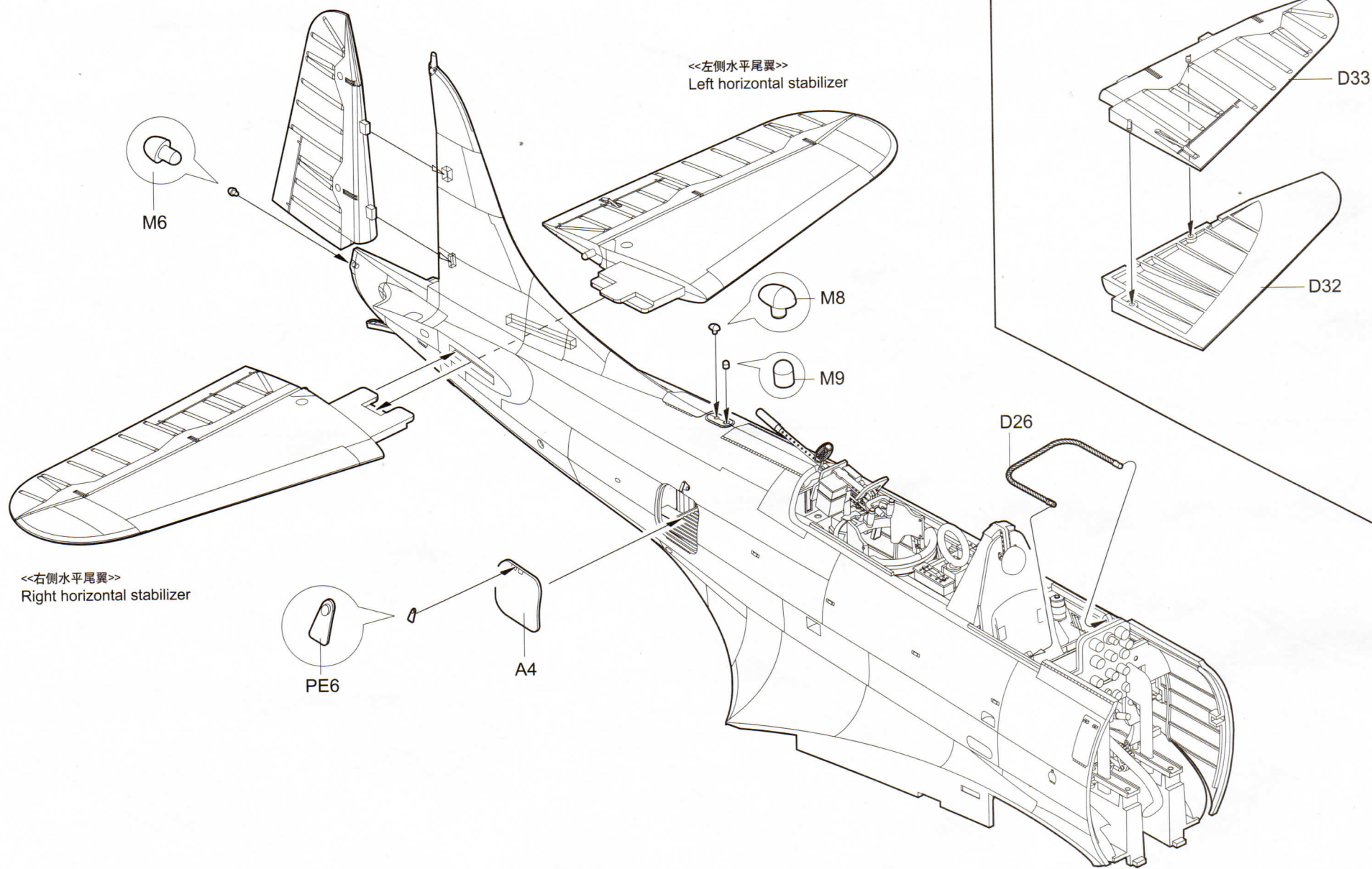
<<左侧水平尾翼>>
Left horizontal stabilizer



12

<<右侧水平尾翼>>
Right horizontal stabilizer



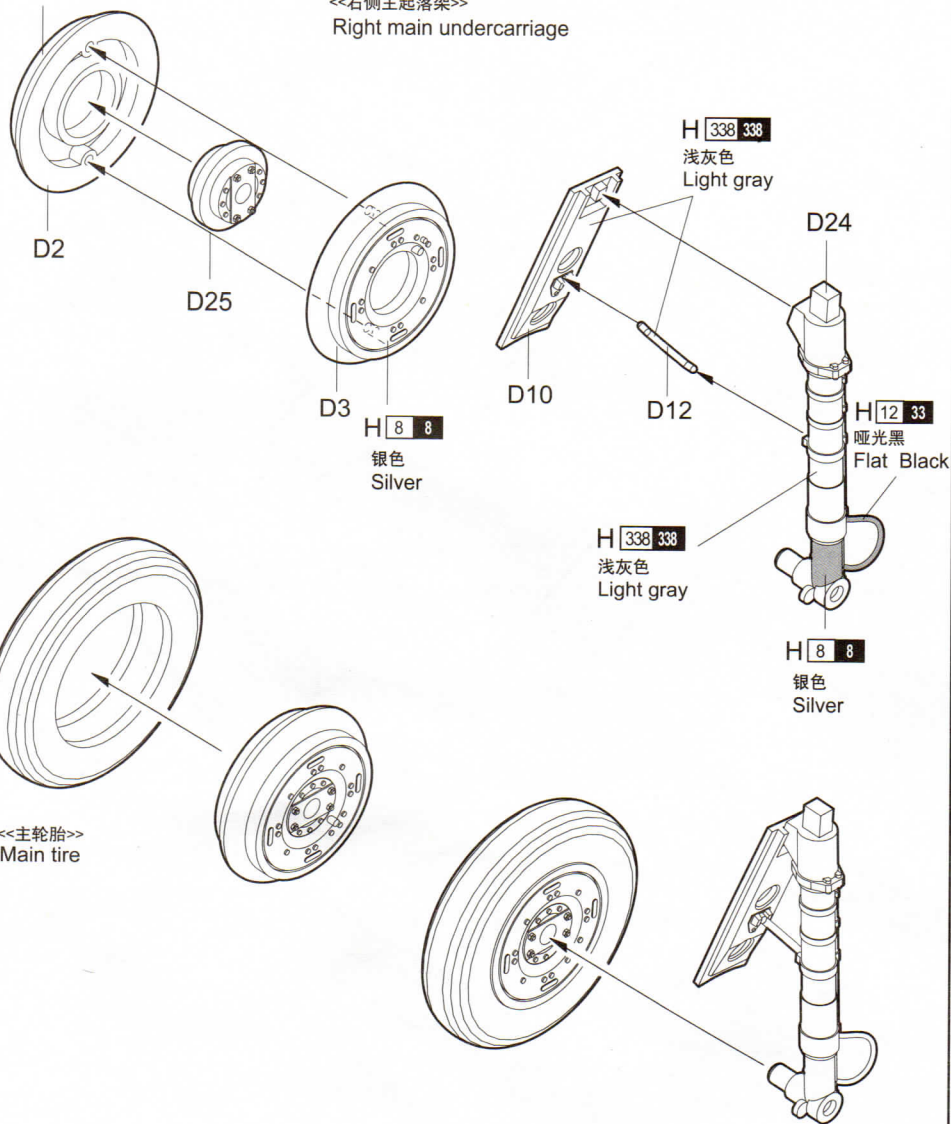


14

H 8 8

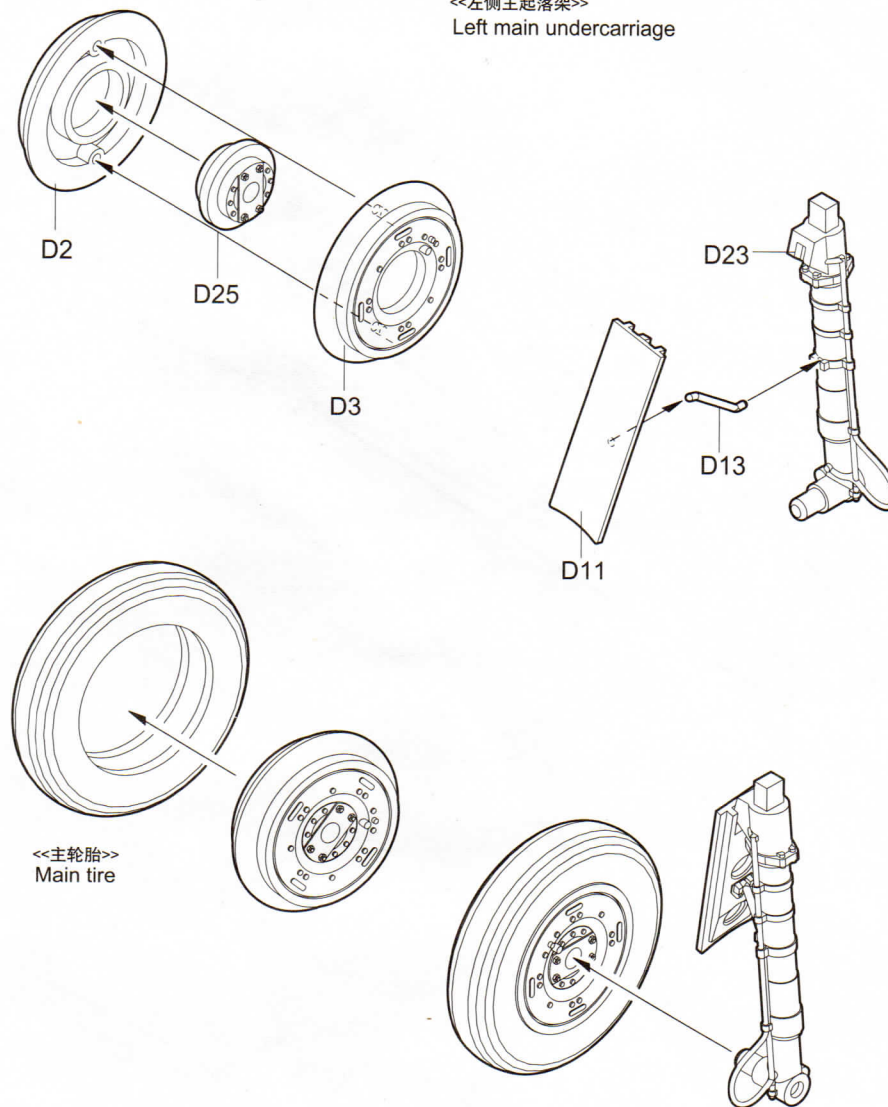
银色
Silver

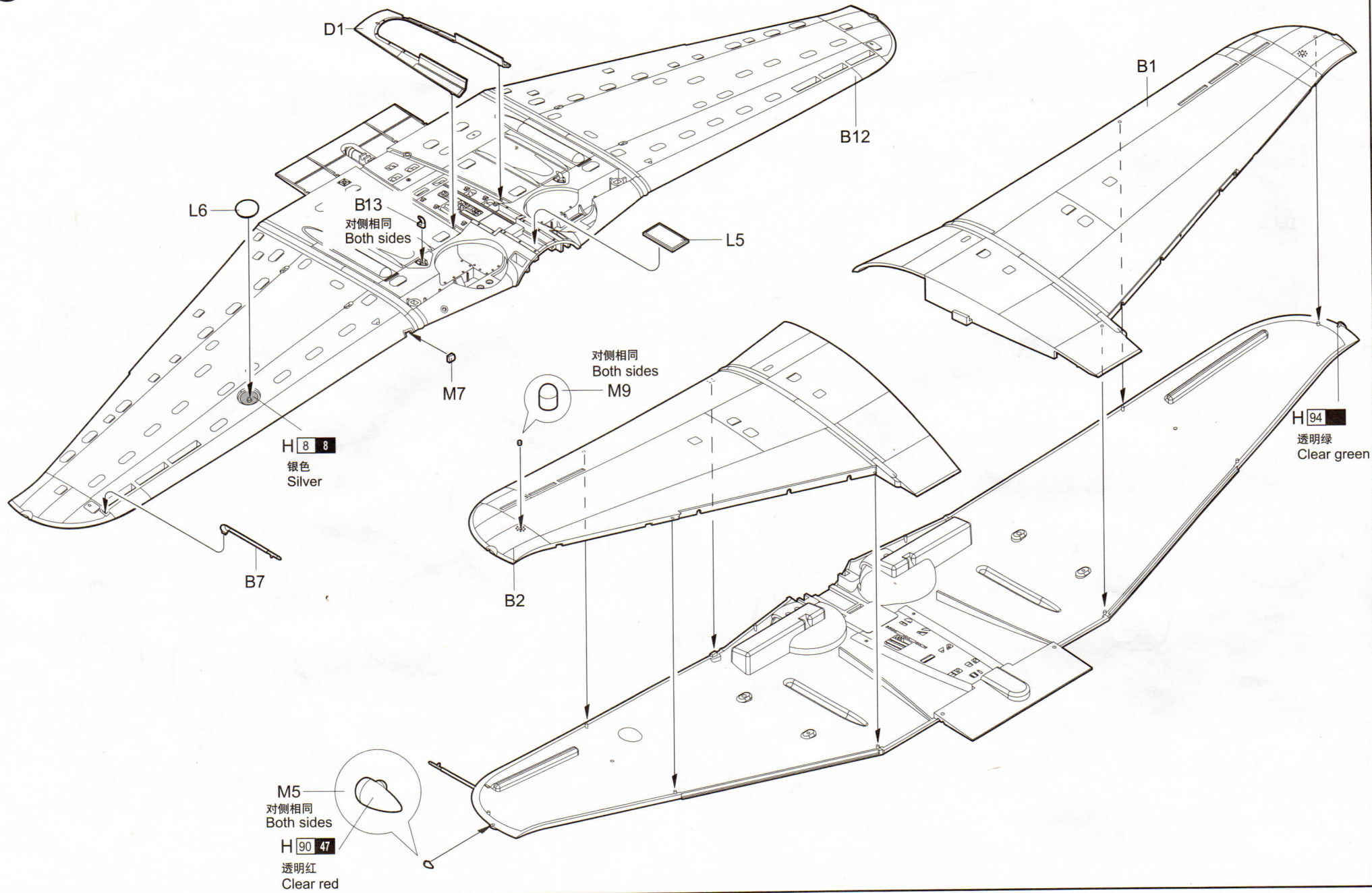
<<右侧主起落架>>
Right main undercarriage

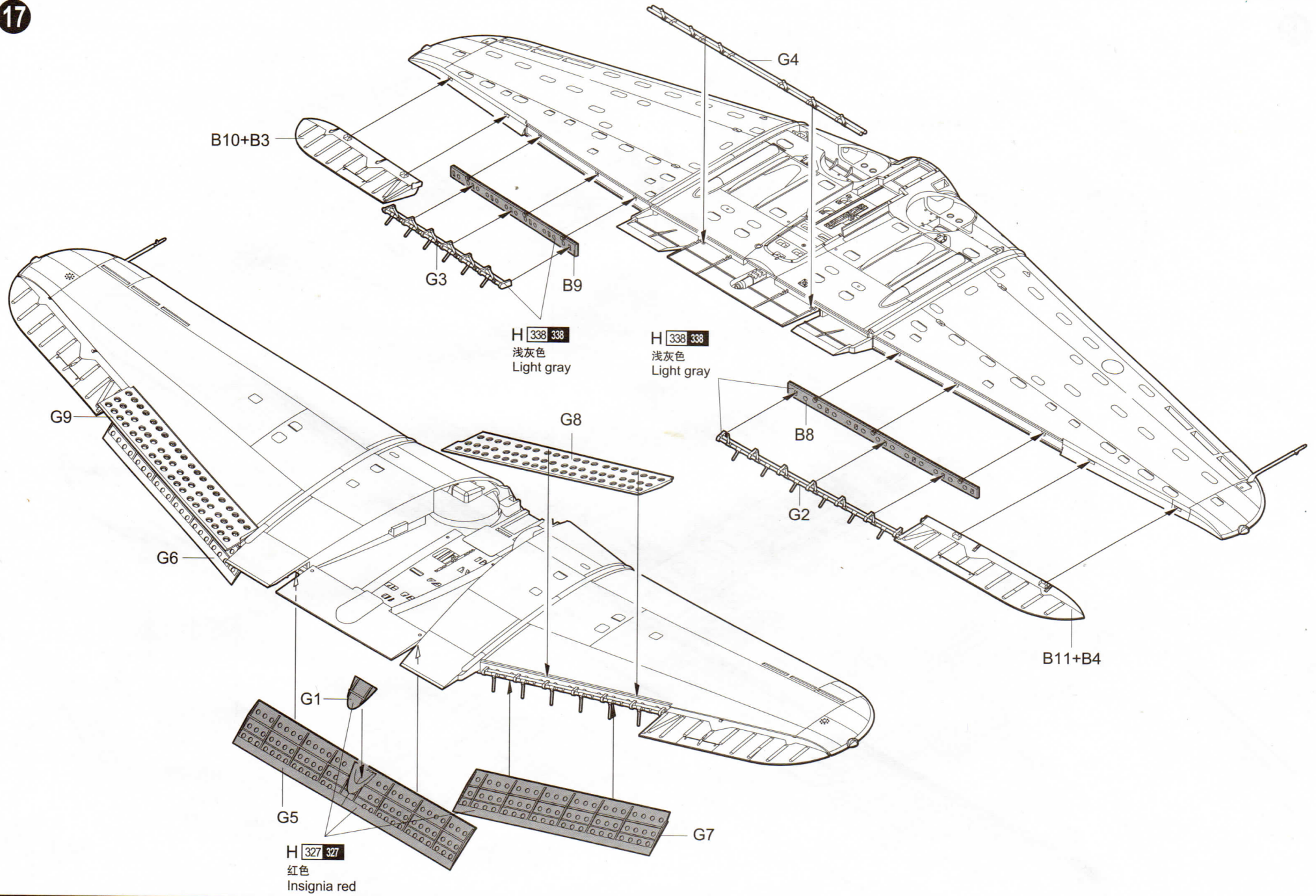


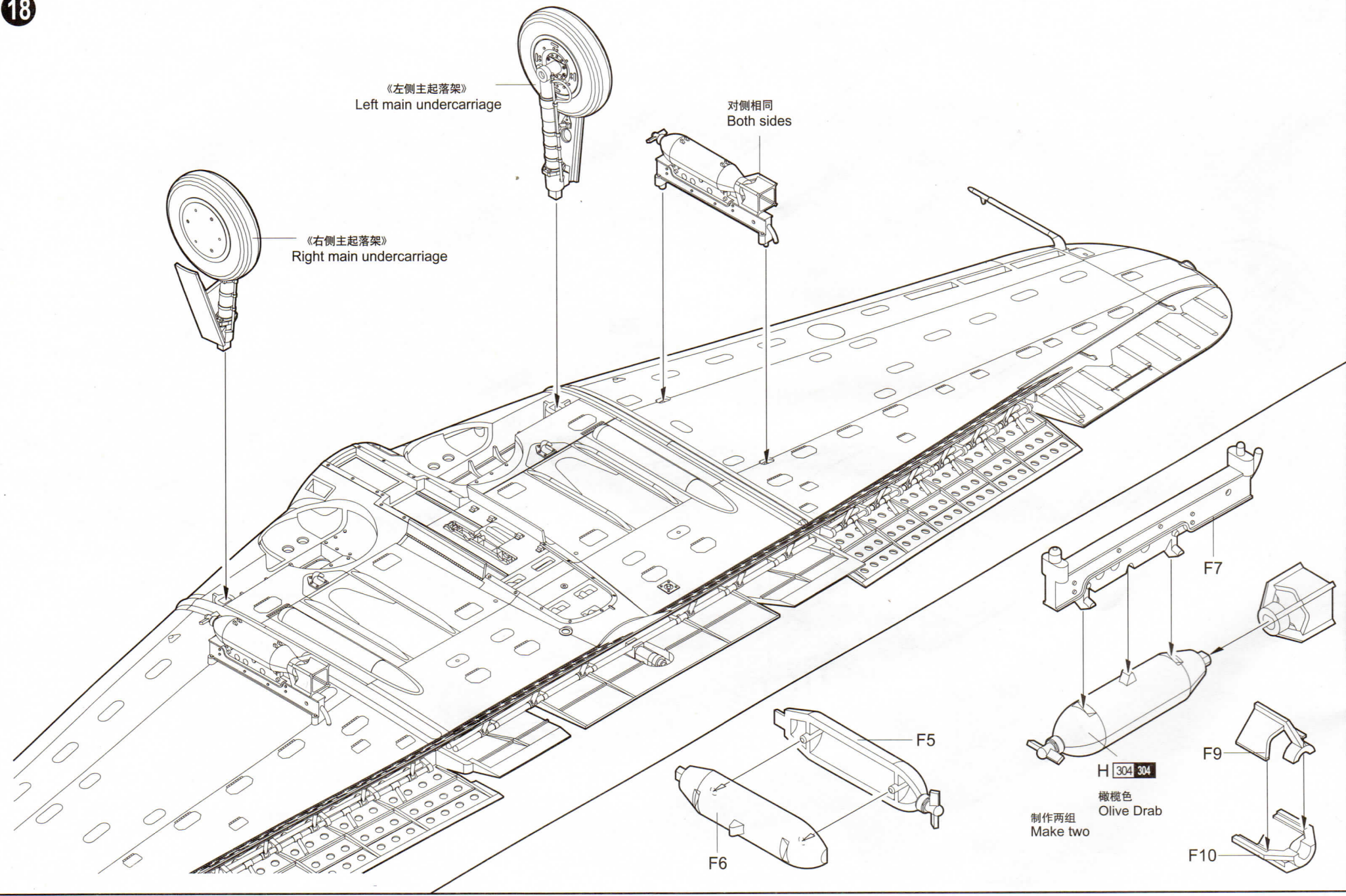
15

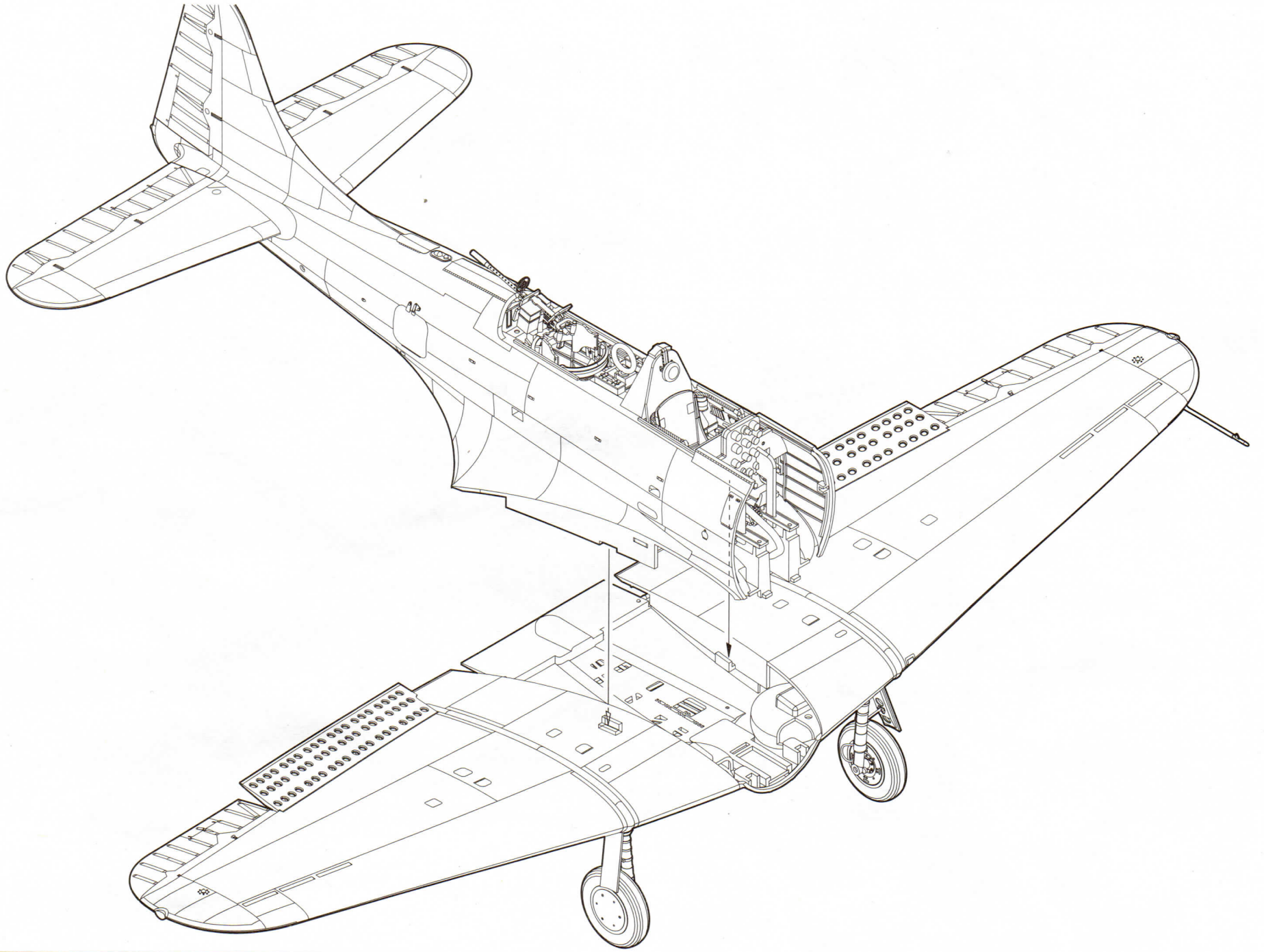
<<左侧主起落架>>
Left main undercarriage

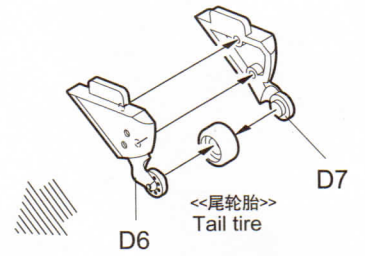
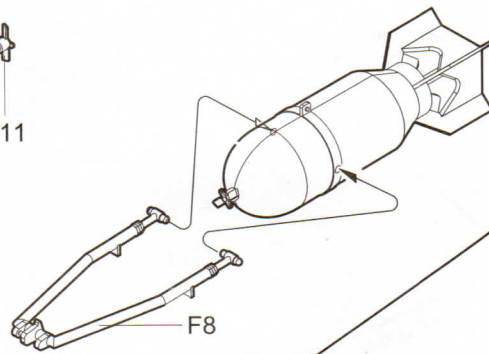
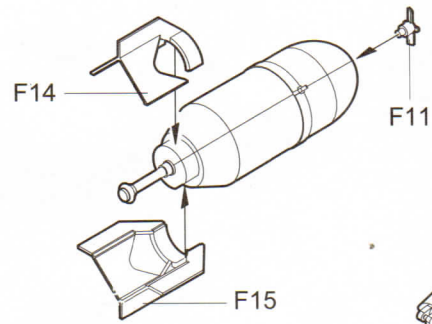
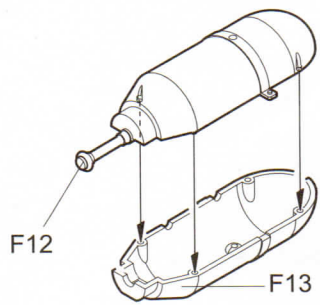




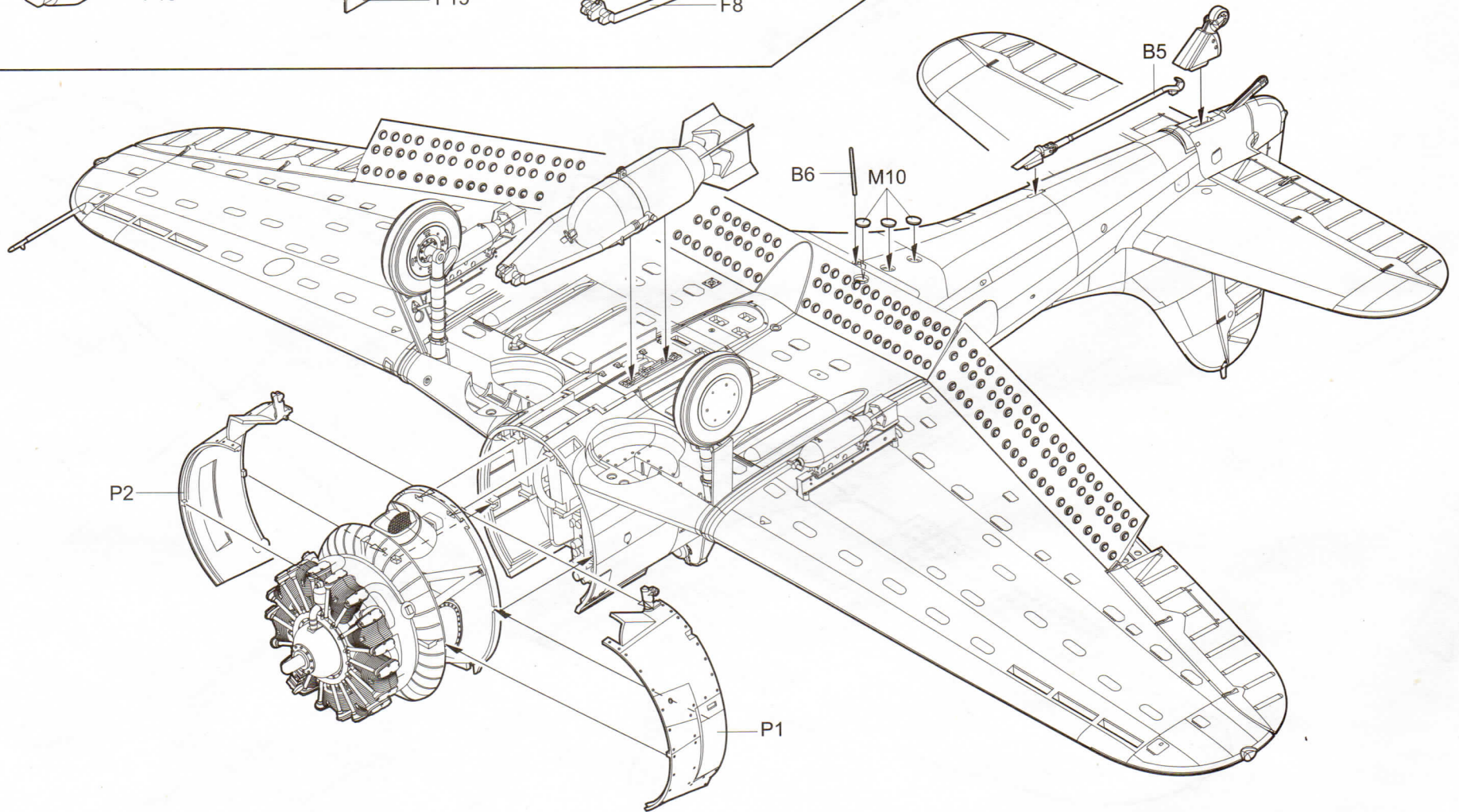








20



H 351

机内绿
Zinc chromate type I

H27

H 18 28

黑铁色
Metal black

H21
<<SBD-2>>

? 可选择
Option

J1 <<SBD-1>>

N3

N2

D27

E35

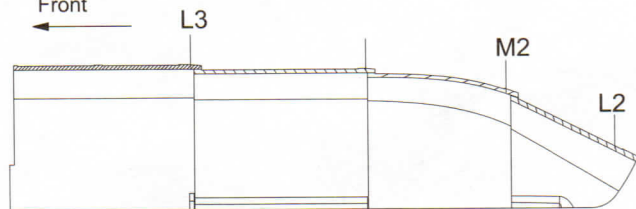
J2

E34

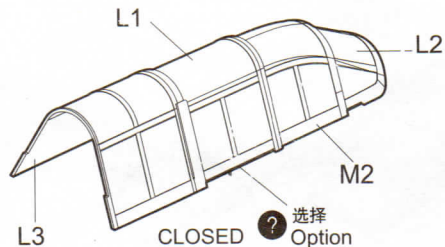
制作两组
Make two

22

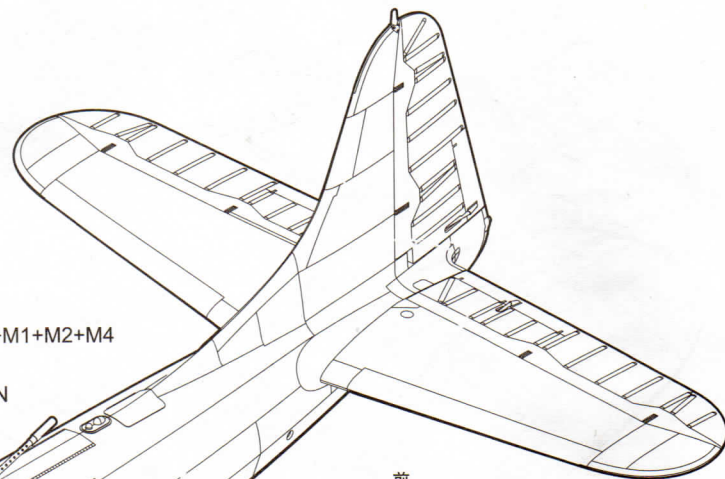
前
Front



机窗关闭时的状态
CLOSED

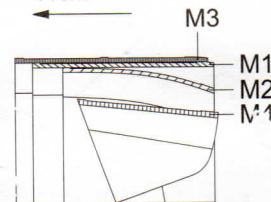


CLOSED 选择 Option

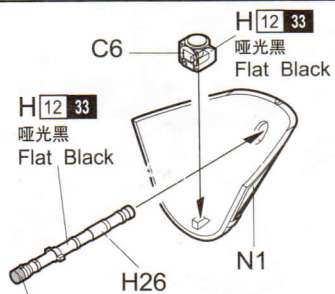


OPEN

前
Front



机窗升起时的状态
OPEN



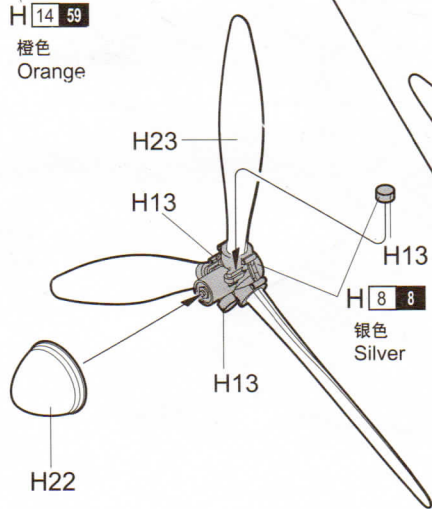
H12 33
哑光黑
Flat Black

H12 33
哑光黑
Flat Black

H26

N1

H14 59
橙色
Orange



H23

H13

H13

H22

H13

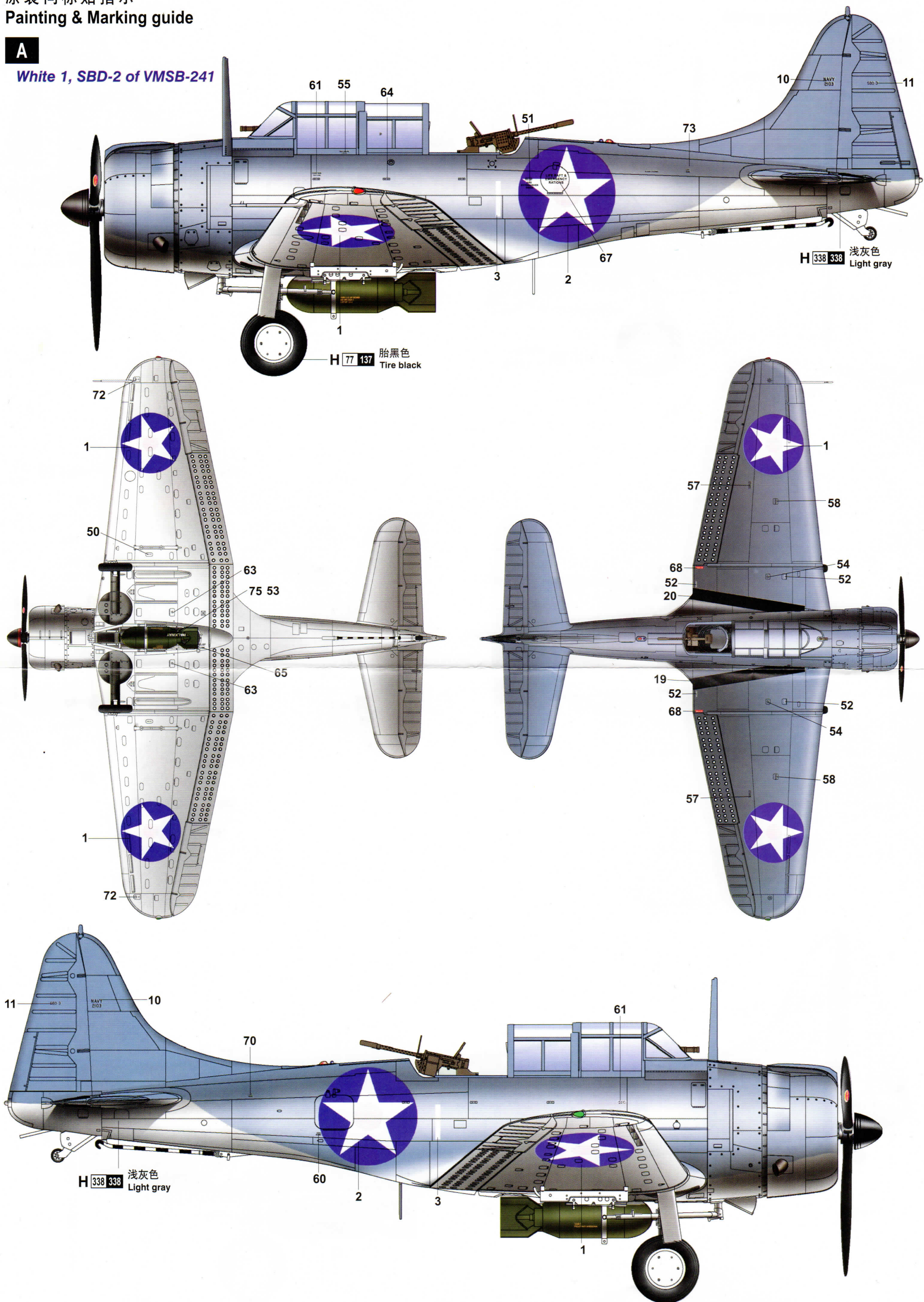
H8 8
银色
Silver

E28+E29
对侧相同
Both sides

涂装同标贴指示
Painting & Marking guide

A

White 1, SBD-2 of VMSB-241



H 77 137 胎黑色
Tire black

H 338 338 浅灰色
Light gray

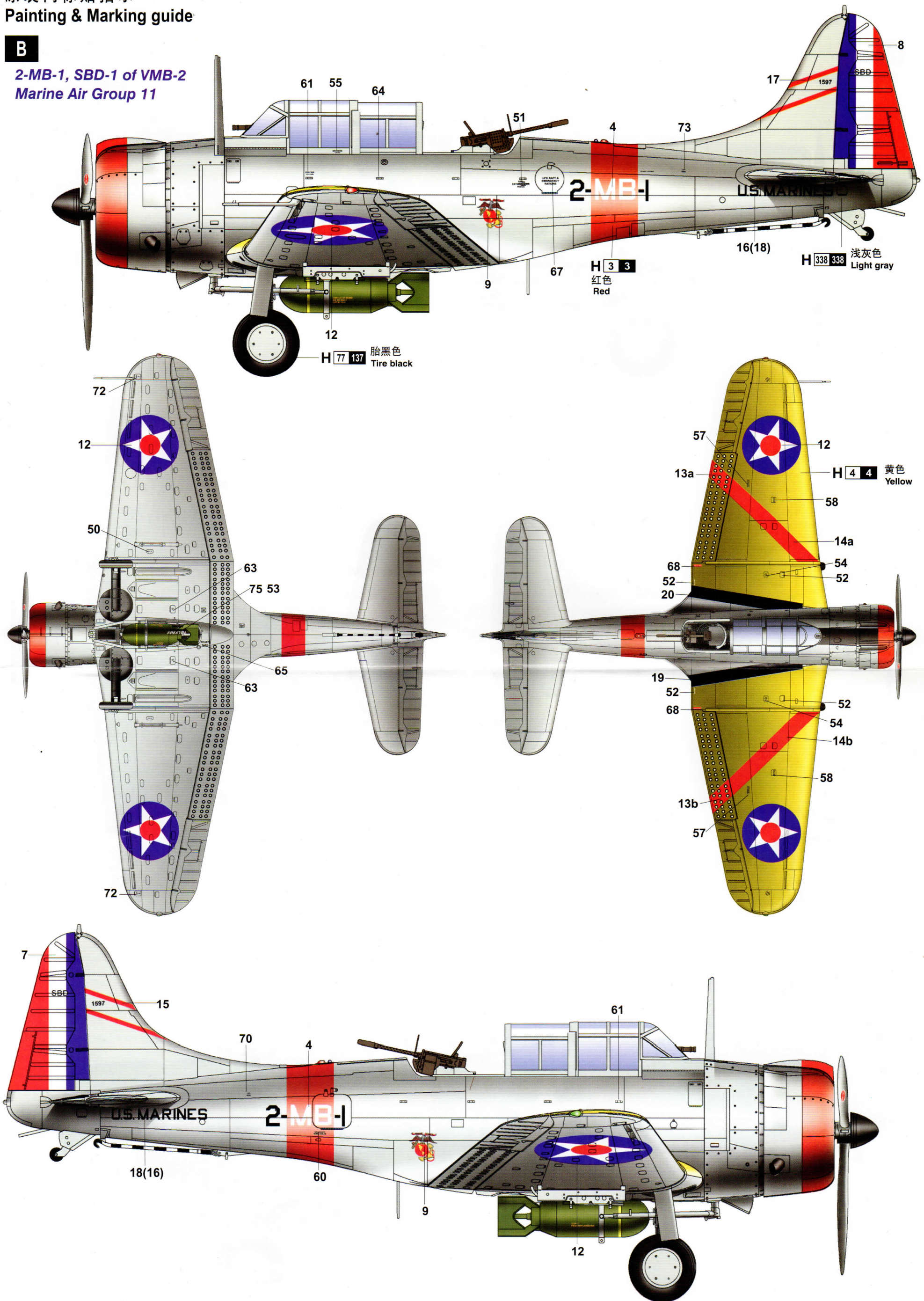
H 338 338 浅灰色
Light gray

使用郡仕公司涂料
GUNZE SANGYO Mr. Color used

涂装同标贴指示
Painting & Marking guide

B

2-MB-1, SBD-1 of VMB-2
Marine Air Group 11



使用郡仕公司涂料
GUNZE SANGYO Mr. Color used

H [] GUNZE SANGYO AQUEOUS HOBBY COLOUR X [] GUNZE SANGYO MR COLOUR