

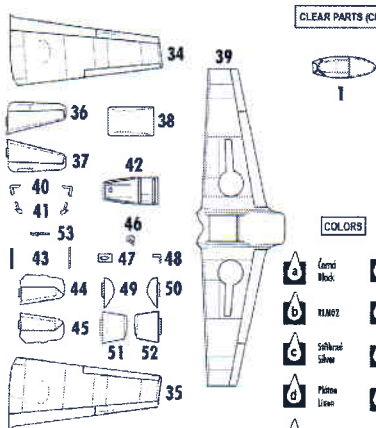
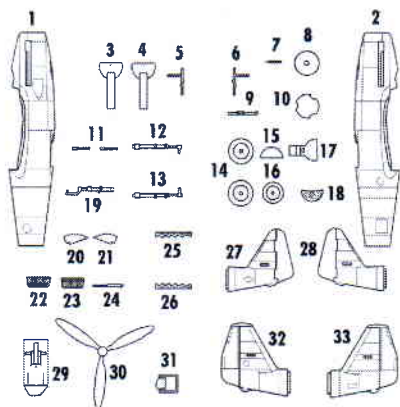


Me 309 V1 and V2

Me 309 V1 and V2

scale 1/72

The Me 309 was originally designed to be the successor to the Bf 109. First prototype V1 made a first flight on July 1942. Flight revealed more shortcomings and a succession of modifications were made. Later was sent to be tested by E-Stelle Rechlin. November 1942 the second prototype V2 made its first and last flight, since its nosewheel collapsed on landing. Original DB 603A-1 engine was later replaced by a DB 605B engine. In 1943 was built V3 and V4 prototype. V4 prototype being fitted with four MG 131, two MG 151/20 and two MK 108. Was planned more versions, as fighter bomber and Zerstörer with three MG 151 and four MG 131 weapons. In the autumn of 1943 the Me-309 program was terminated, four prototypes were produced.

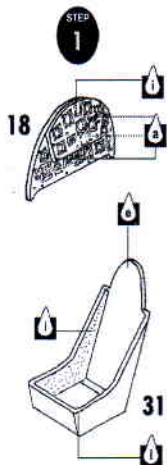


CLEAR PARTS (CP)

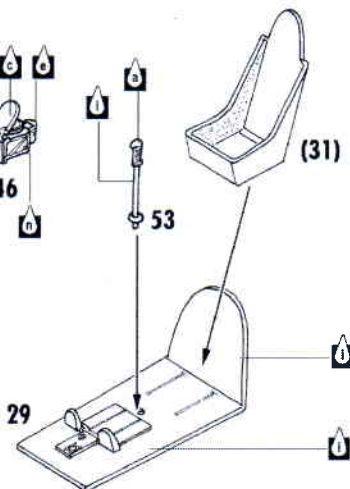
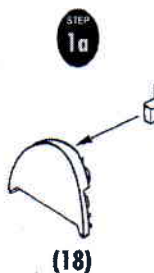
COLORS

- | | | | | | | | | | |
|----------------|--|---------------------|-------------------|---------------------|--------------------------|------------------|----------------|------|---|
| | | | | | | | | | |
| obnout
bend | vleťinové lepidlo
cyanacrylate glue | odstranit
remove | upravit
reduce | vřítat
open hole | vyrýbit
scratch build | obtlak
decals | barva
color | film | symetrická montáž
symmetrical assembly |

- | | | | |
|--|---------------------------|--|-------------------------|
| | Curvi
Black | | Carveri
Red |
| | ILMO2 | | ISM66 |
| | Světlá
Silver | | Duslari
Iron metal |
| | Pilón
Linen | | Precizní
Typo Black |
| | Kůza
Leather | | Razno
Rose |
| | Hvězdičková
Achromatic | | Tmavě šedá
Dark Grey |
| | Černová
Black | | Kavová
Gun metal |

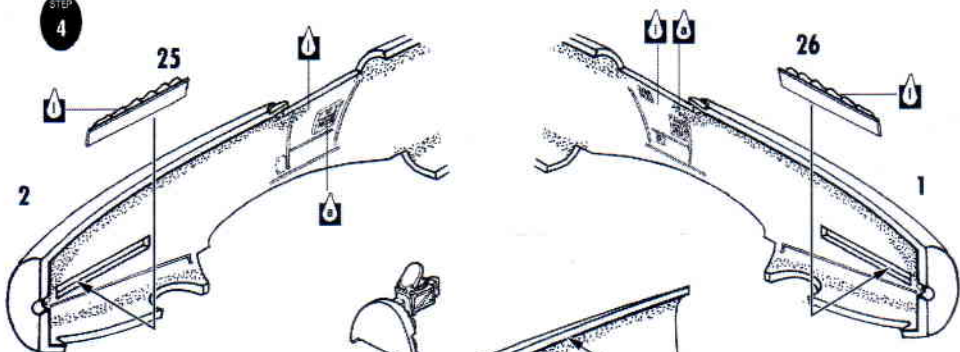


STEP 2

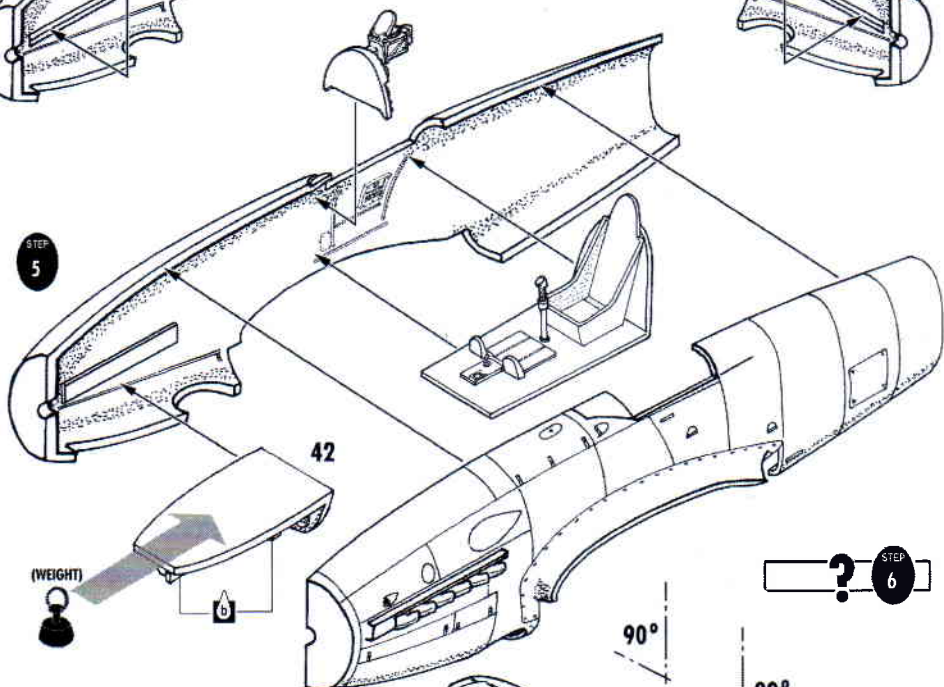


STEP 3

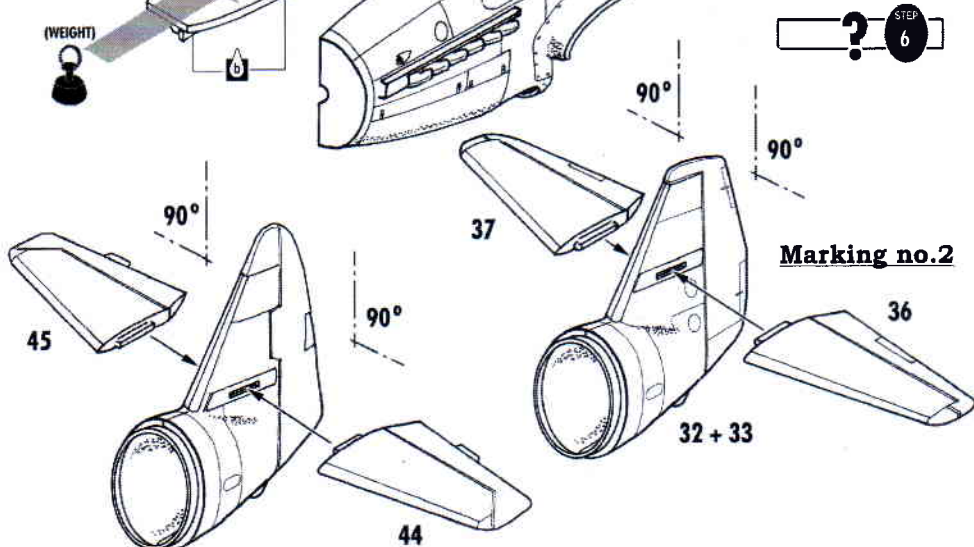
STEP
4



STEP
5



STEP
6



28 + 27 Marking no.1 and 3

