



# German Fighter Plane

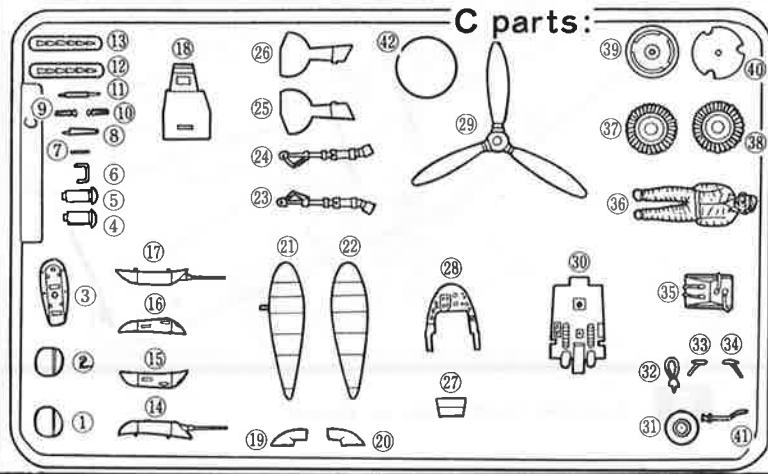
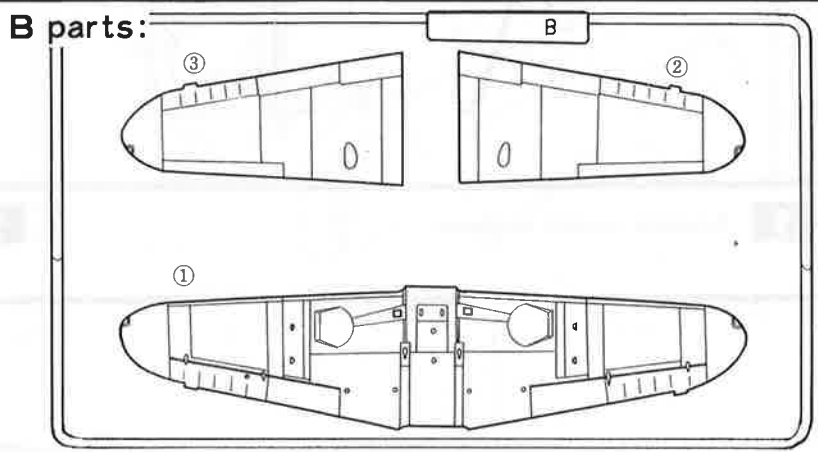
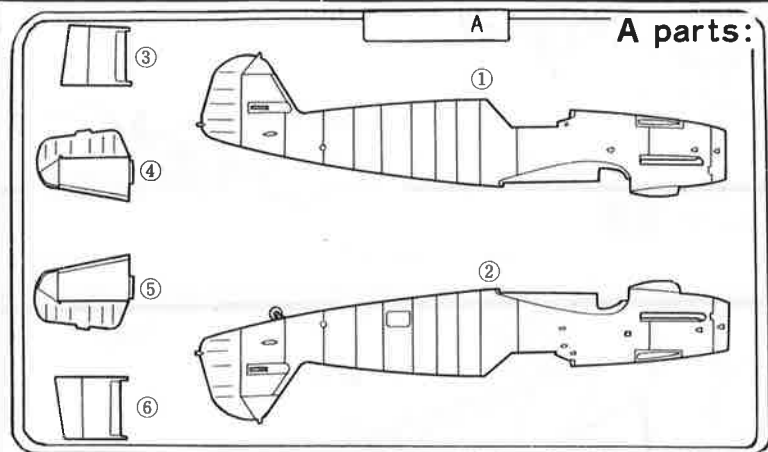
# Messerschmitt Bf 109G-6

## Assembly Manual

BY Ohtaki Model Toy Mfg. Co.,  
No. 3-10, Senju, Midori-cho,  
Adachi-ku, Tokyo, Japan.  
TEL. 888-6646

(Be sure to break and throw away the empty vinyl bag to protect small children from any harm by covering face with it or putting it in mouth).

**Data** Since 1935 when its prototype made the debut, over 30,000 planes of various types of Messerschmitt Bf 109 series were produced and put on use by the end of the War. Planes of this series were seen on all fronts wherever the German air-force extended its power including Poland Invasion, Battle of Britain, fronts of North Africa and Russia and defense of Germany. Even after the defeat of Germany, reformed types were used by several countries. Its notable types were B, E, F, G and K types. B type was used by the Condor Air Division at the time of the Spanish intestine strife and displayed its power over the Government planes (which were chiefly Russian made) with an overwhelming superiority. Planes of type E were used mainly in the surprise attack at the beginning of the World War II and the Battle of Britain. Type F was a refined model of type E and was famous as Hans Marseilles' personal plane in the North Africa. Type G was a F type plane with an improved armament and increased output of engine for which type F had been controversial and was used as interceptors. This type was produced most in number among the Bf 109 series. Type K was an improvement of the type G in its latter stage equipped with supercharger, but this type planes were least used in the actual operation. Type G-6 was manufactured most in number among the G-group. The type G-6 planes were equipped with GM-1 forced fuel feeding device as the standard equipment. Other data are: armament: - MK 108 30mm machine-gun, 1 unit; 20mm machine-guns, 2 units (under wings); 12.7mm machine-guns 2 units on the fuselage; maximum speed: 600 km/h.; span 9.91m, length 9.04 m, height 3.40 m.



### A parts:

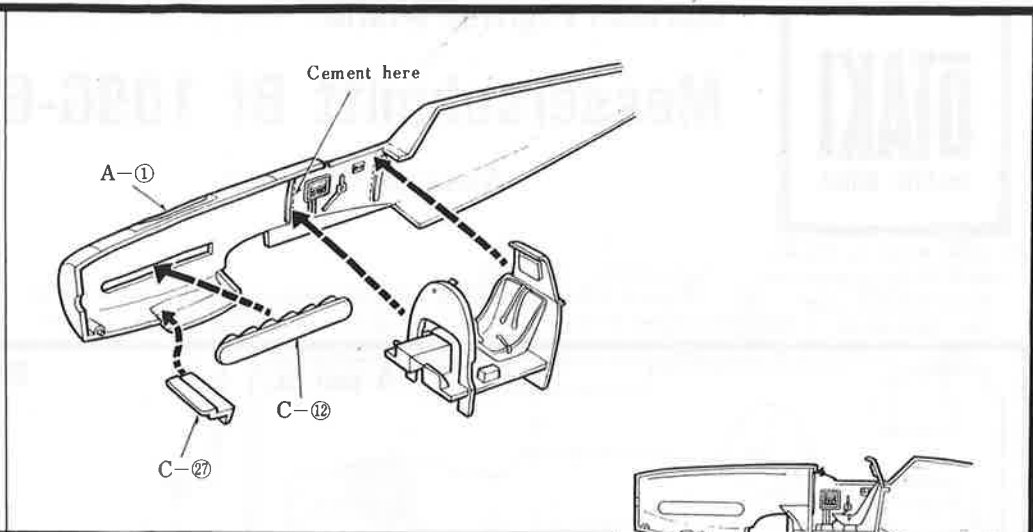
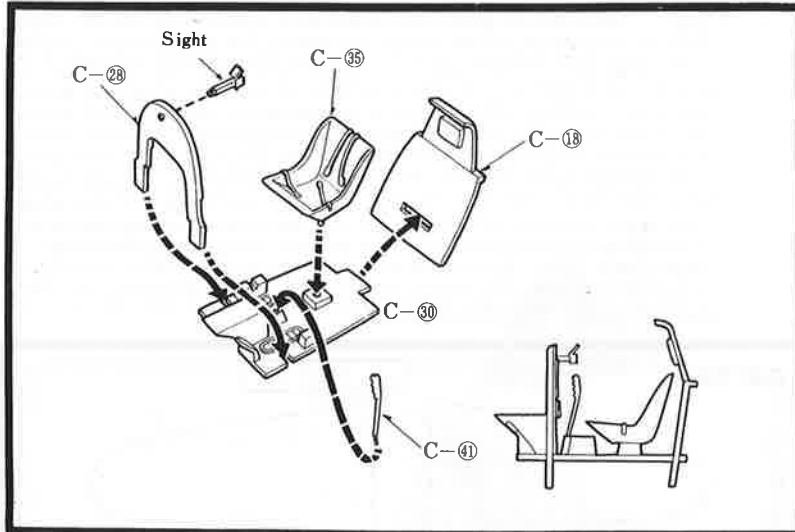
- ① Fuselage, right
- ② Fuselage, left
- ③ Air-intake duct (right)
- ④ Elevator (right)
- ⑤ Elevator (left)
- ⑥ Air-intake duct (left)

### B parts:

- ① Main wing lower side
- ② Main wing, left upper side
- ③ Main wing right upper side

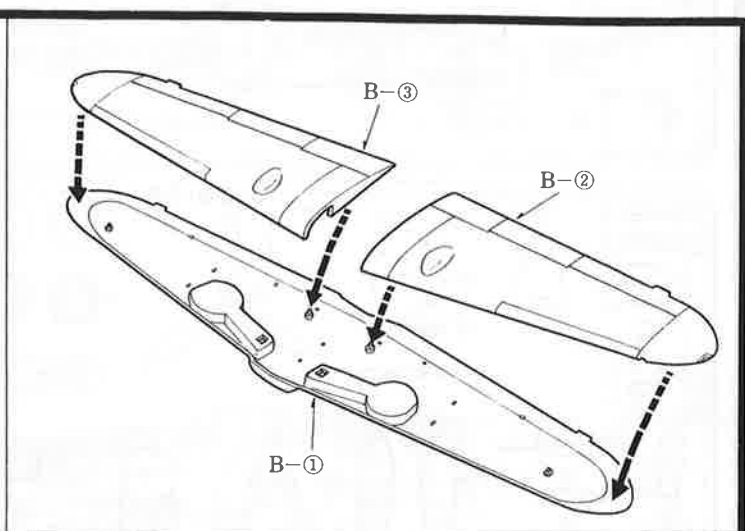
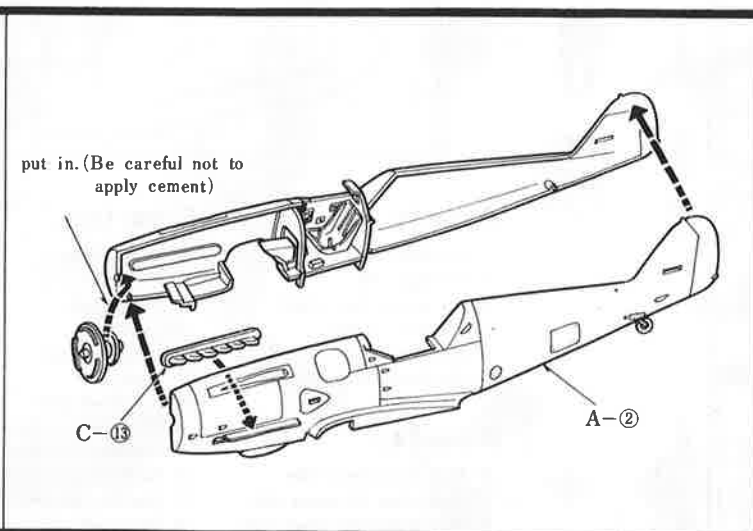
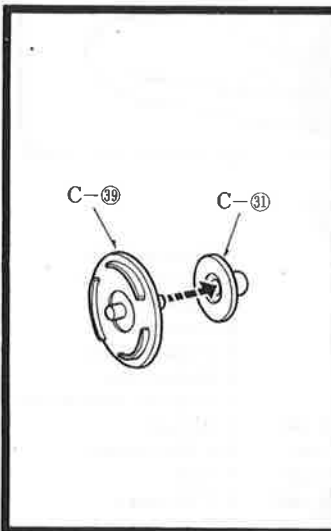
### C parts:

- ③ Bomb holder
- ④ Filter
- ⑥ Filter (upper)
- ⑦⑧ Antenna
- ⑨⑩ Machine-gun
- ⑪ Pitot tube
- ⑫⑬ Exhaust pipe
- ⑭ Machine-gun, outside left
- ⑮ Machine-gun, inside left
- ⑯ Machine-gun, inside right
- ⑰ Machine-gun, outside right
- ⑱ Seat back
- ⑲⑳ Supercharger
- ㉑ Spare tank
- ㉒ Front leg, left
- ㉓ Front leg, right
- ㉔ Leg cover, right
- ㉕ Leg cover, left
- ㉖ Control panel
- ㉗ Propeller blade
- ㉘ Cockpit floor
- ㉙ Propeller blade fastener
- ㉚ Antenna
- ㉛ Mas balance
- ㉜ Seat
- ㉝ Pilot image
- ㉞⑳ Front wheel
- ㉟ Spinner
- ㊱ Control lever
- ㊲ Pilot image stand



**1** Assemble cockpit as shown.

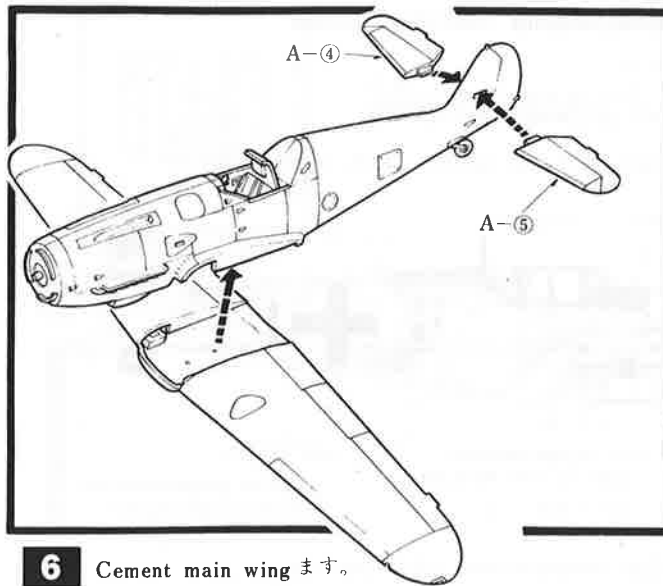
**2** Assemble seat.



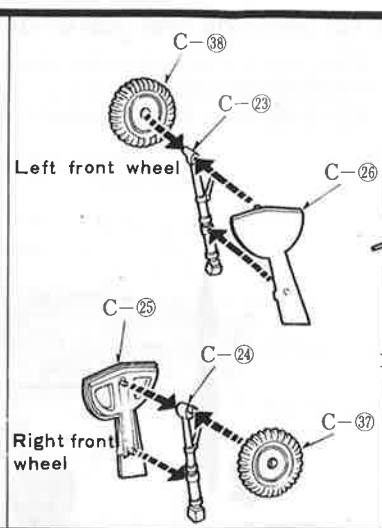
**3**

**4** Assemble fuselage halves together as shown.

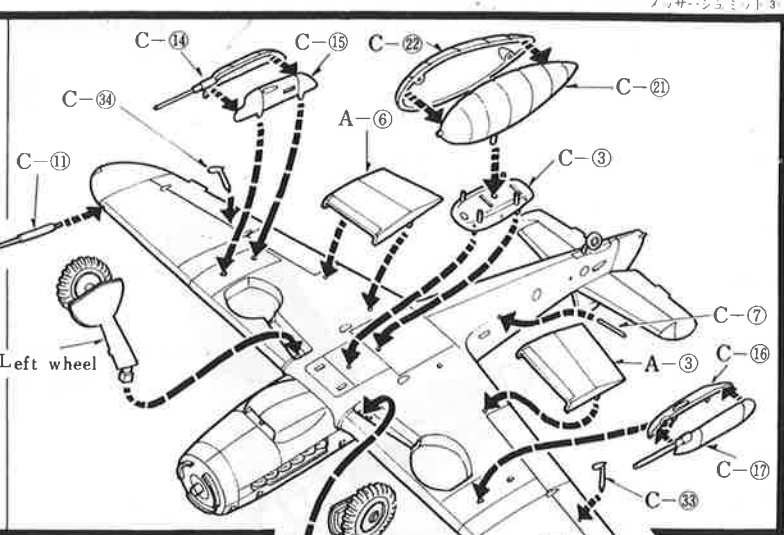
**5** Assemble main wings as shown.



**6** Cement main wing ます。  
assembly and A-④, A-⑤ to fuselage as shown.



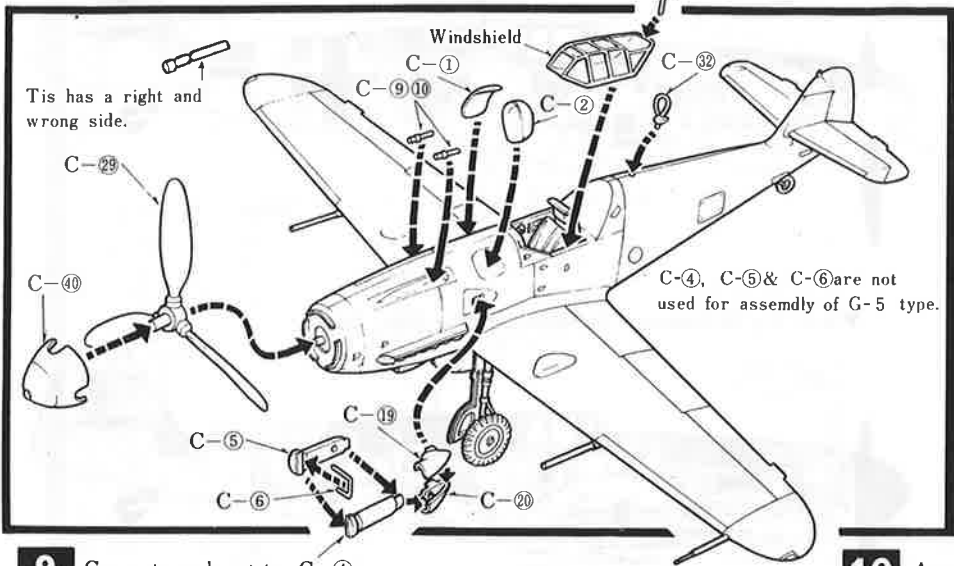
**7** Assemble front wheel



**8** Cement each part.

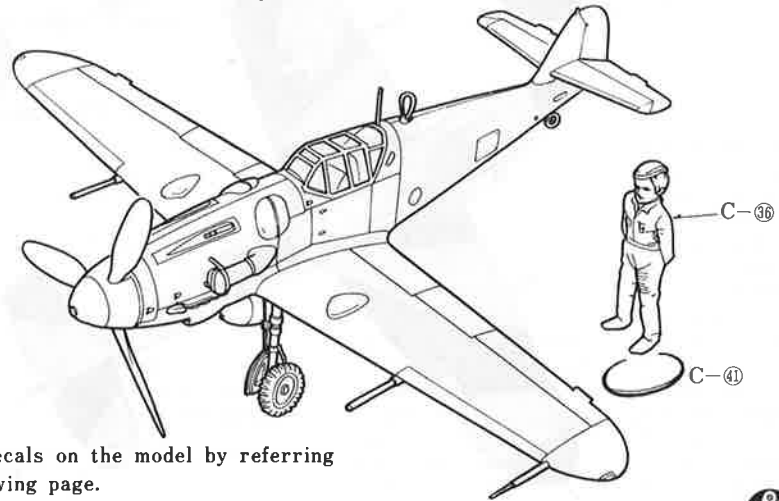
Right front wheel  
Cement in this direction

20 mm machine guns C-14, C-15, C-16 & C-17 under wings and C-3, C-21 are not used for assembly of G-5 type.



**9** Cement each part. C-④

C-4, C-5 & C-6 are not used for assembly of G-5 type.



**10** Apply decals on the model by referring to following page.



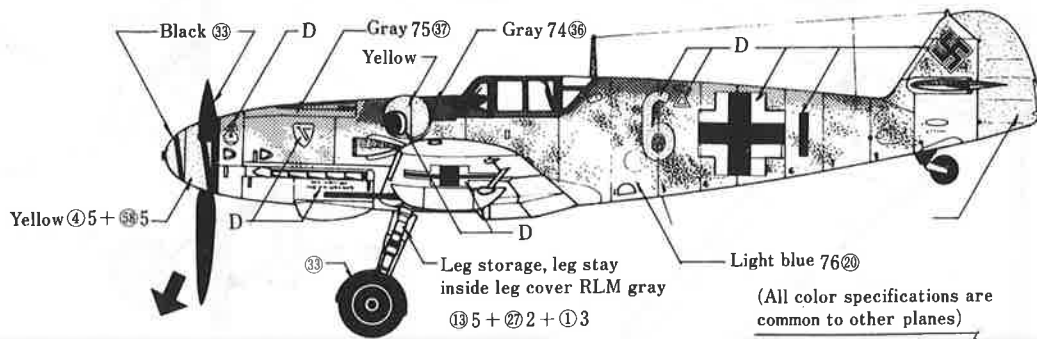
# Instructions for painting and use of decalcomania (see colored drawings)

(Figure in a circle shows the number of model color.)

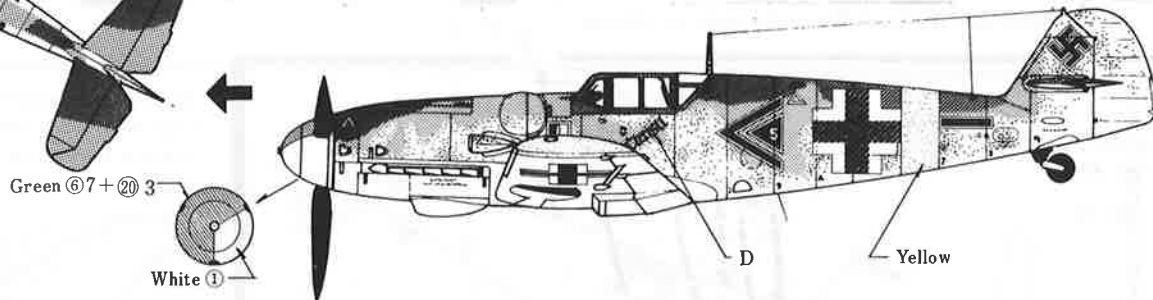
D stands for decalcomania.

All painting complies with the German Air Force color specifications 74, 75, 76.

## ▼ G-6/R2 The 3rd Company, 3rd Fighter Squadron (1944, used within Germany)



## ▼ Personal plane of Capt. Gerhardt Balkhorn' 52nd Fighter Squadron



## ▼ G-6/Trop 7th Company, 27th Fighter Squadron (1942 Italy)

