

# Hawk MK.200/208/209

ホーク Mk.200/208/209 英国“鹰”MK.200/208/209战斗机

## PLEASE READ BEFORE OPERATION!

- \* Tools recommended as below: (Not included)  
Adhesives; Paints; Side Cutters; Sharp Edged Pliers; Modeling Knife; Modeling File; Nippers; Drill; Scissors; Sand Paper; Soft Cloth; Cyanoacrylate Glue.
- \* Make sure to read this instruction listed below before assembling.
- \* The kit contains the small parts, they can be dangerous if swallowed by mistake, so keep them away from reach of children.
- \* Cut the all parts off carefully and remove the waste parts into the garbage can.
- \* More caution and care should be needed for cutting and handling the photo etched parts.
- \* Make attention that some parts should be attached the decal when assembled.
- \* During assembling, please tear up and throw away the plastic bags, or may cause the dangerous if wearing over head by children's mistake.
- \* When using the adhesives and paints, please do not use them in the closed room or near the fire, also must be very careful to protect your eyes,face and clothes.
- \* Adult supervised when assembled by children under 14 years old.

## 装配前请仔细阅读:

- \* 推荐使用的模型工具(请自备):  
专用模型胶水, 专用模型油漆, 水口剪刀, 长咀钳, 刀片, 锉刀, 镊子钳, 钻, 剪刀, 软布, 砂纸, 瞬间快干胶等。
- \* 用水口剪刀或刀片小心切下所有塑胶零件和蚀刻片零件, 不要遗失小零件。
- \* 切取蚀刻片时应特别注意防止利边划伤手指。
- \* 用模型锉刀小心锉平所有零件表面的注射浇口。
- \* 用适量的强力快干胶水粘合蚀刻片零件和金属轴, 切忌过量, 否则可能导致可动零件被粘住。
- \* 注意某些零件表面需在装配时同步贴水上贴纸。
- \* 制作时应远离幼儿并将包装袋及时收妥, 谨防小孩玩耍而引起意外。



using ca super glue  
使用强力胶



weight  
配重



make hole  
钻孔



cut / remove  
切除



option  
选择



no cement  
不涂胶水



decal  
贴纸



bend  
弯曲



repair  
填补



install it first  
先装

## The method to apply the decals

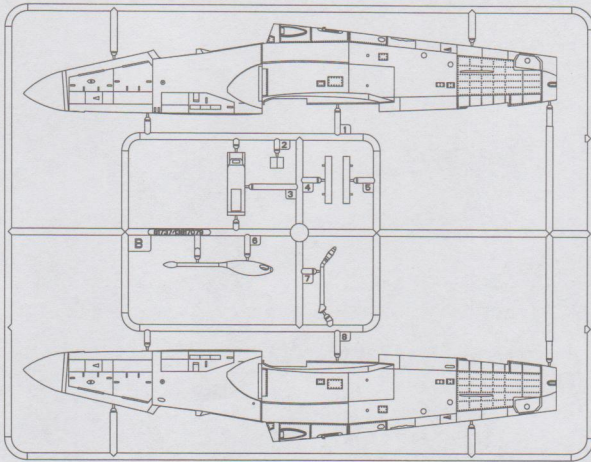
1. Cut off the decal from the decal paper and put it into the warm water 40°C for 10 seconds.
2. Take the decal from the water and put it on a piece of clean cloth.
3. Remove the decal slowly from the paper to the targeted location by a wet finger.
4. Use a piece of dry and soft cloth to press it gently on the decal until it getting dry and no bubble existing.

## 水贴纸的使用方法:

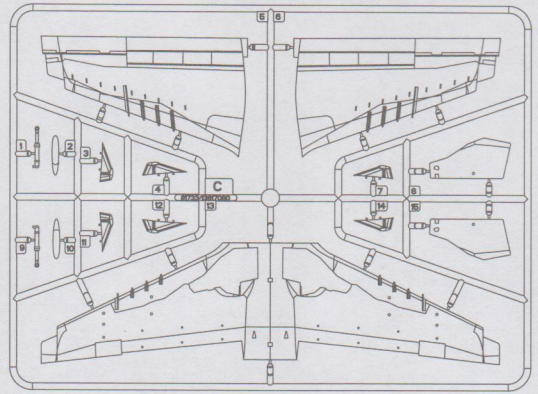
- 一. 把相关的印花从水贴纸上剪下, 放入40°C左右的温水中浸10秒。
- 二. 然后将印花放在干净的布上。
- 三. 拿上印花纸板, 手指蘸水将印花移到适当的位置。
- 四. 用软干布轻压印花直至水干, 气泡消失。

部品图 Parts

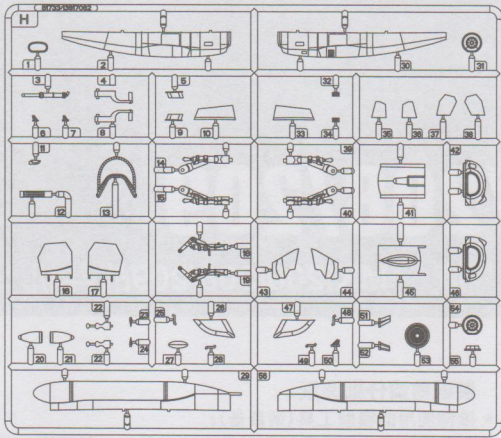
B



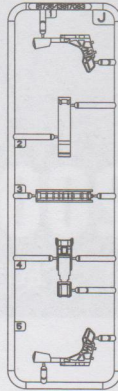
C



H



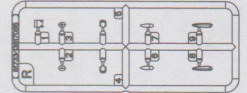
Jx2



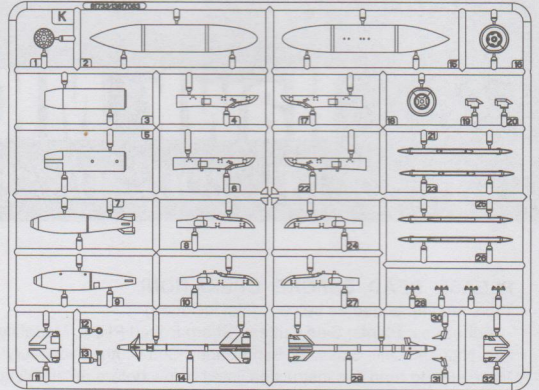
Q



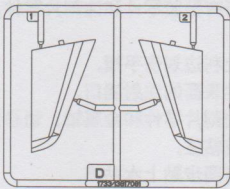
R



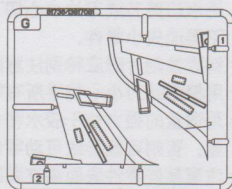
Kx2



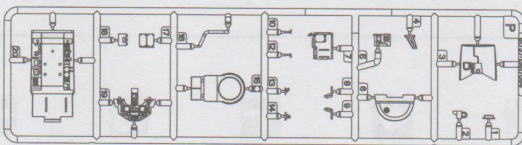
D



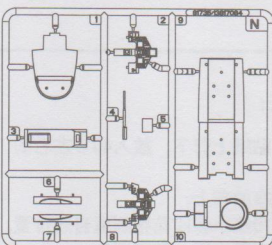
G



P



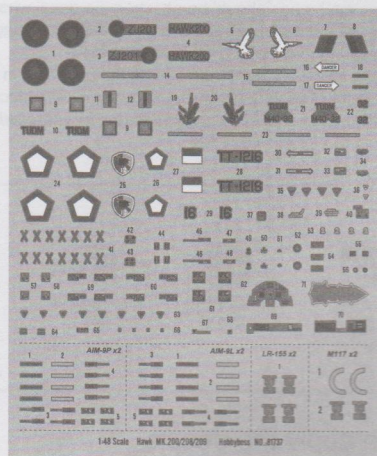
N



《蚀刻片》  
Photo etched part (PE)



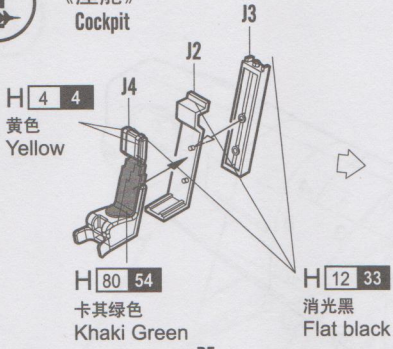
《水贴》  
Decal



不用的部件: H7, H34, H50, A55, H29, H56, R4, R1, Q3  
Unused parts

**1**  
STEP

《座舱》  
Cockpit



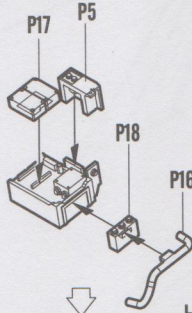
对侧 PE2  
Opposite PE2  
PE1

对侧 PE5  
Opposite PE5  
PE4

H 80 54  
卡其绿色  
Khaki Green

H 3 3  
红色  
Red

贴纸  
Decal  
(57)  
对侧 (58)

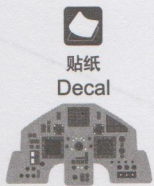


H 12 33  
消光黑  
Flat black

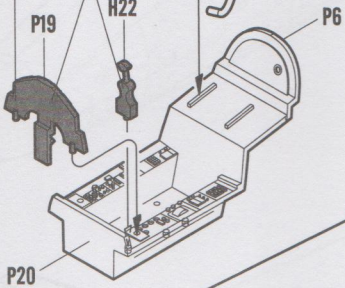
贴纸  
Decal  
(69)

H 317 317  
灰色  
Dark gull grey

贴纸  
Decal  
(70)

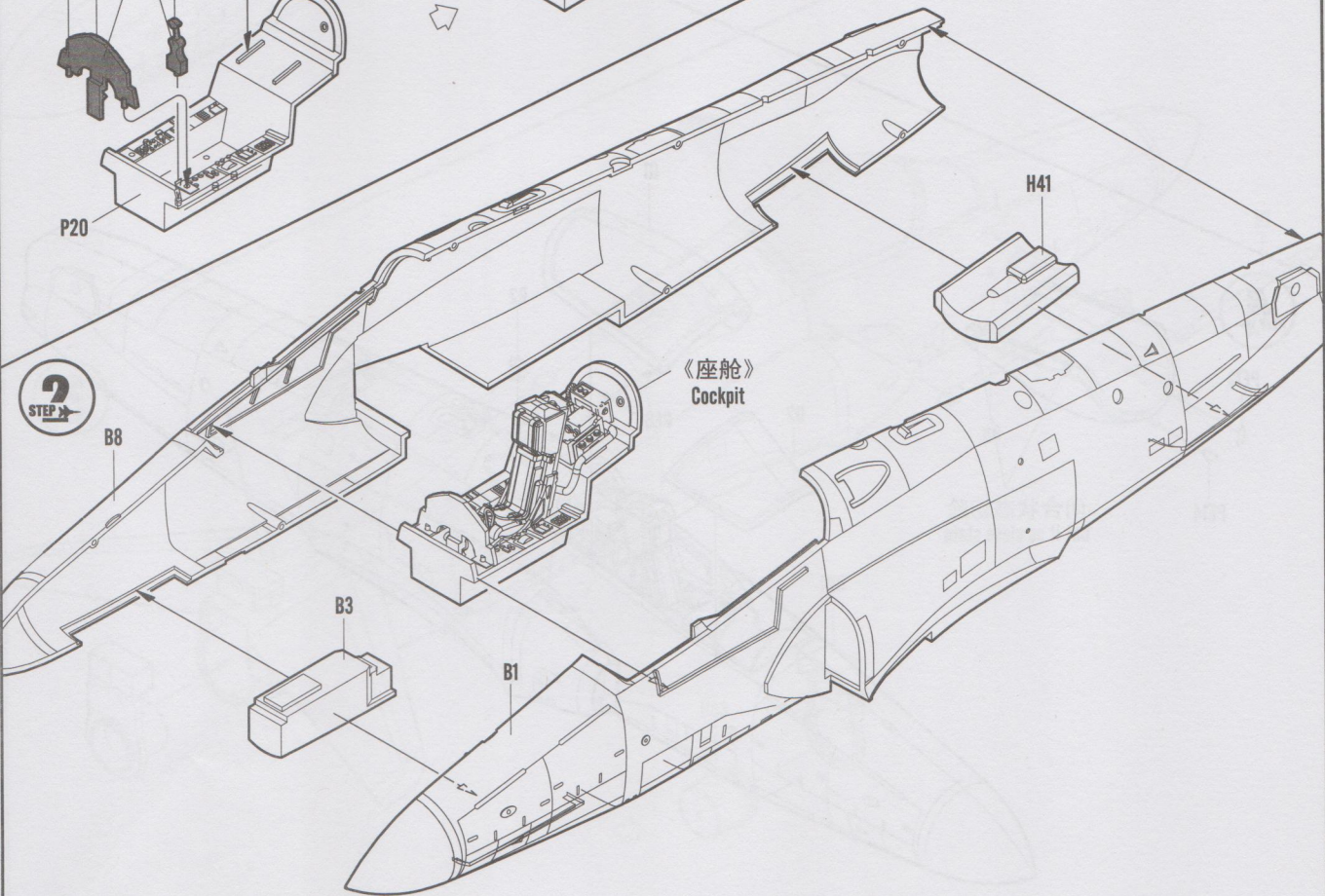


(69)  
H 12 33  
消光黑  
Flat black

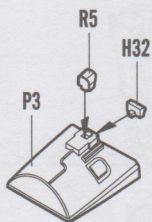


**2**  
STEP

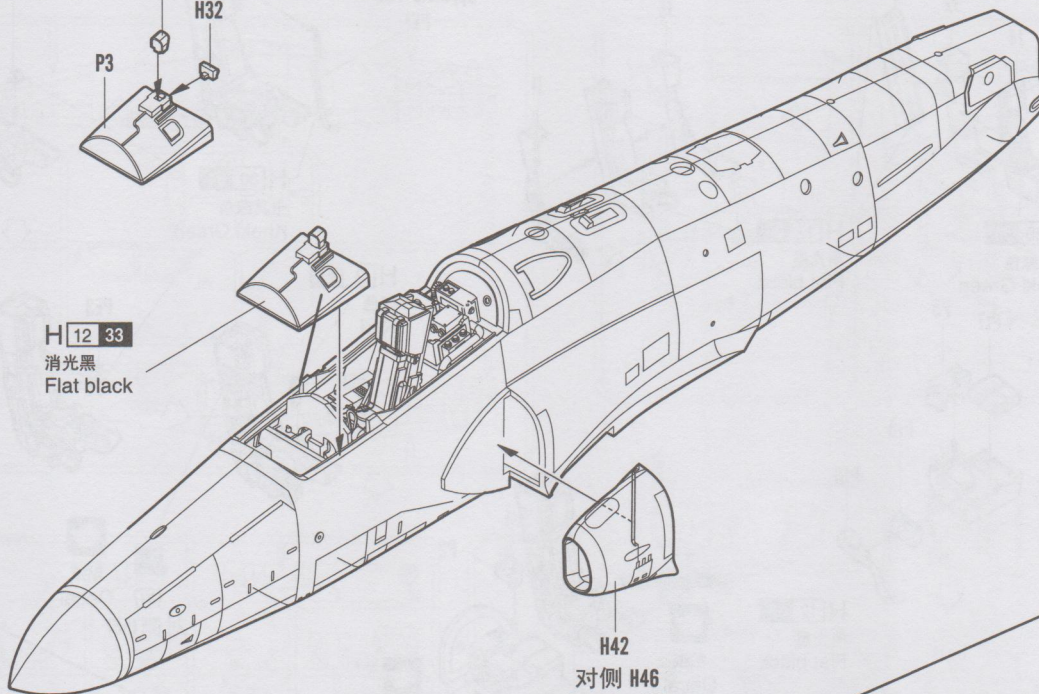
《座舱》  
Cockpit



3  
STEP

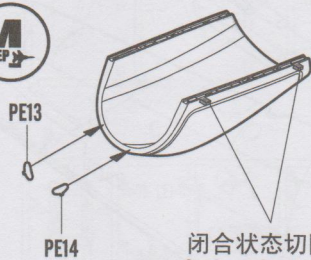


H12 33  
消光黑  
Flat black

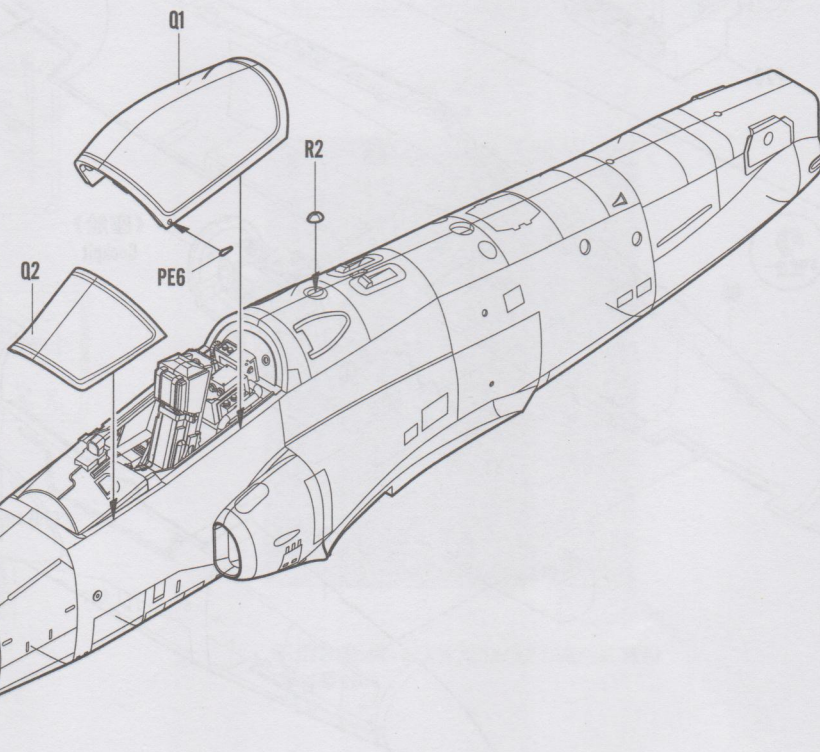


H42  
对侧 H46  
Opposite H46

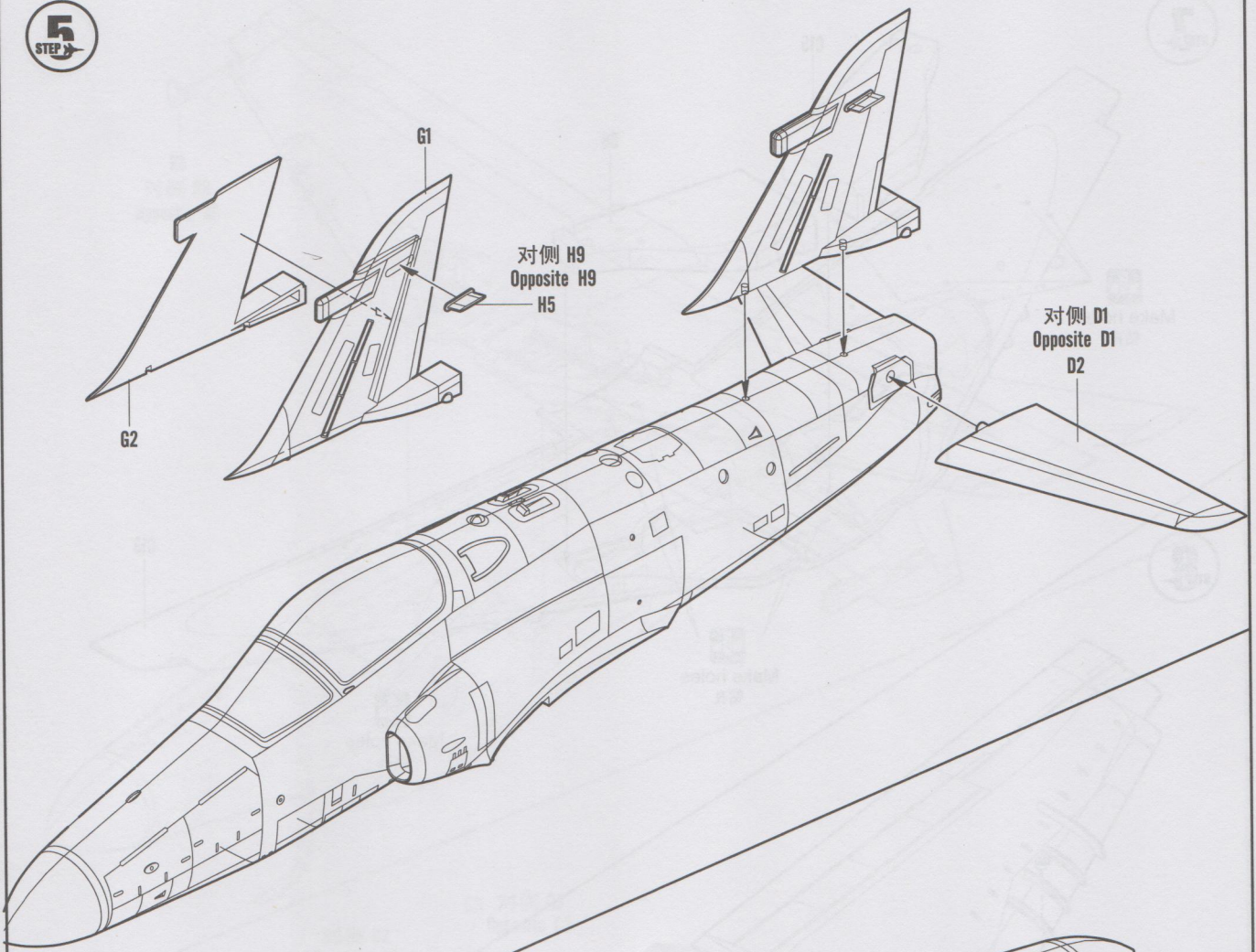
STEP



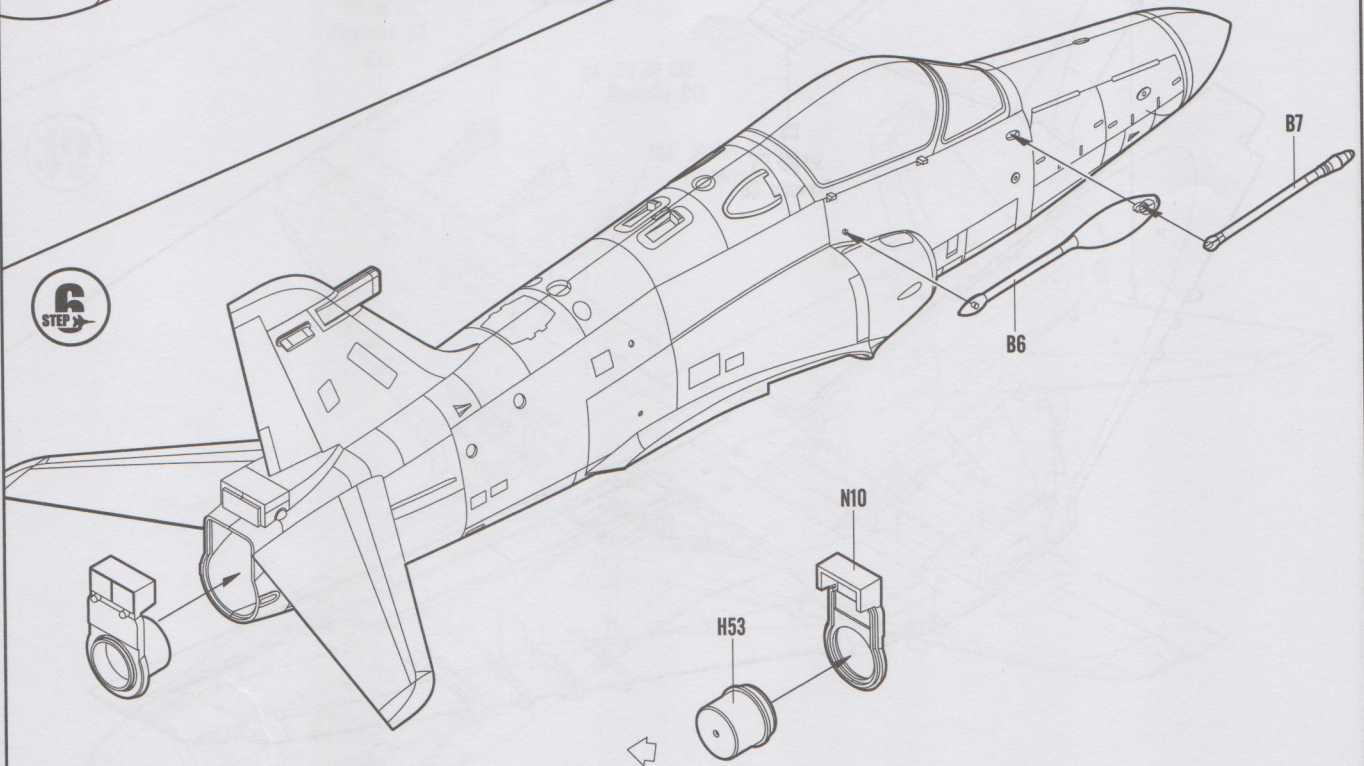
闭合状态切除  
Cut it as close state



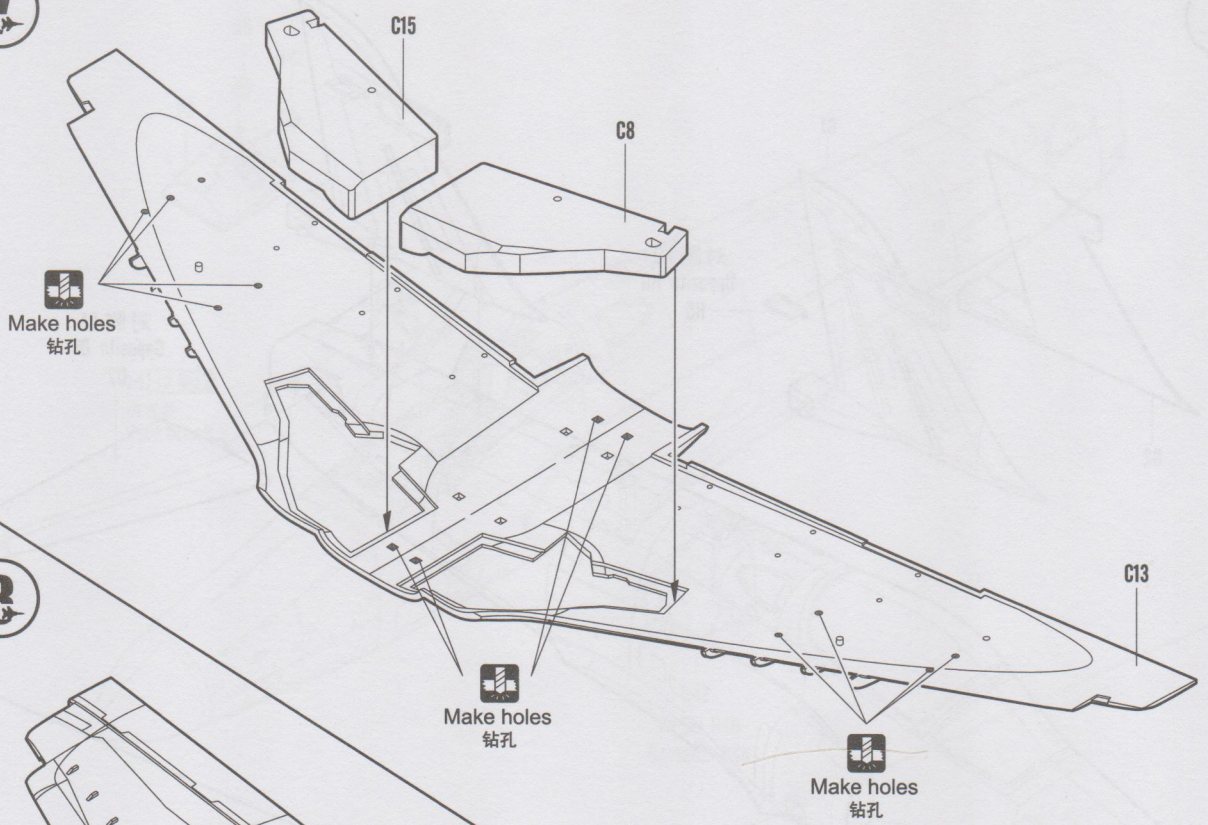
5  
STEP



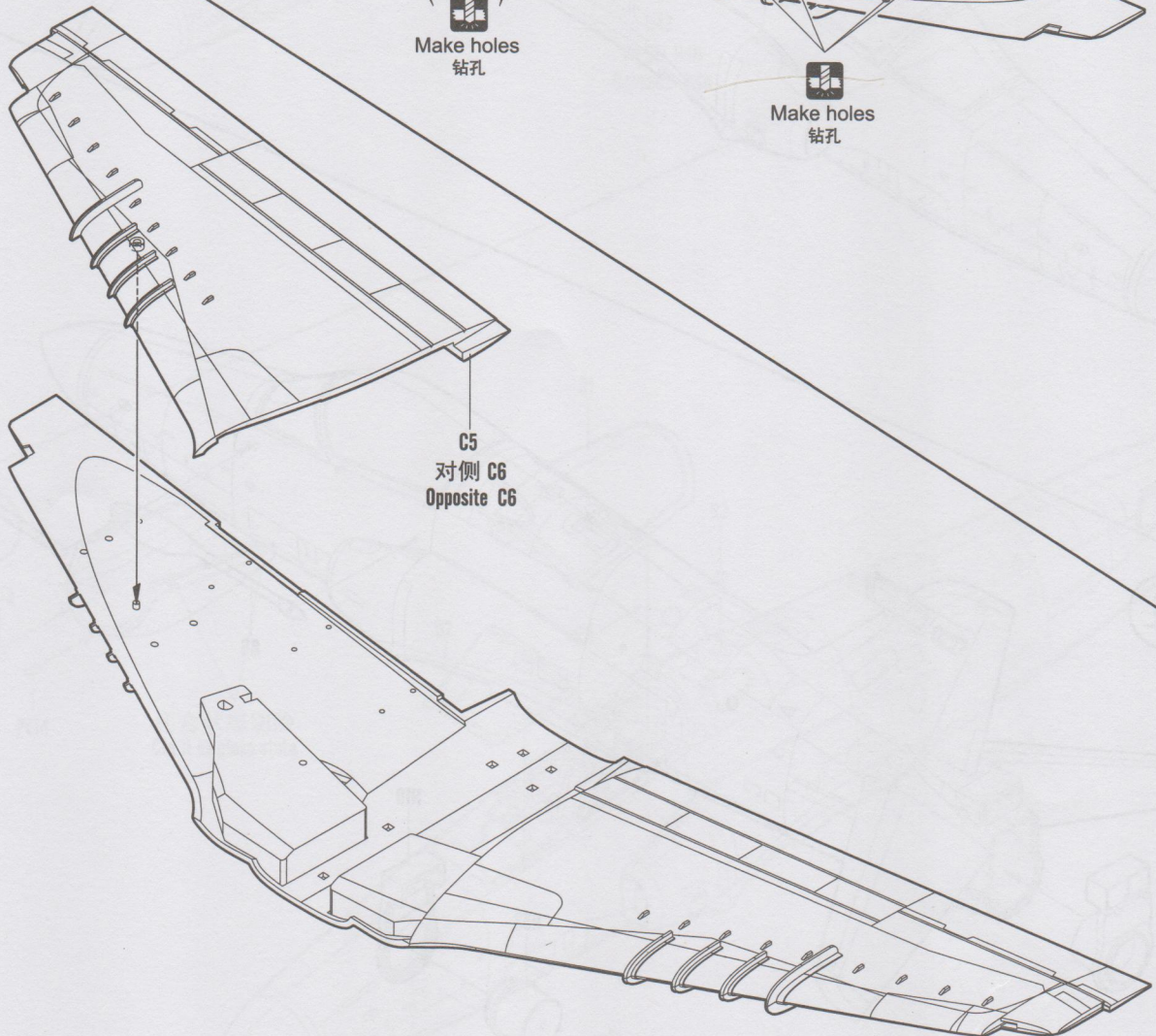
6  
STEP



7  
STEP

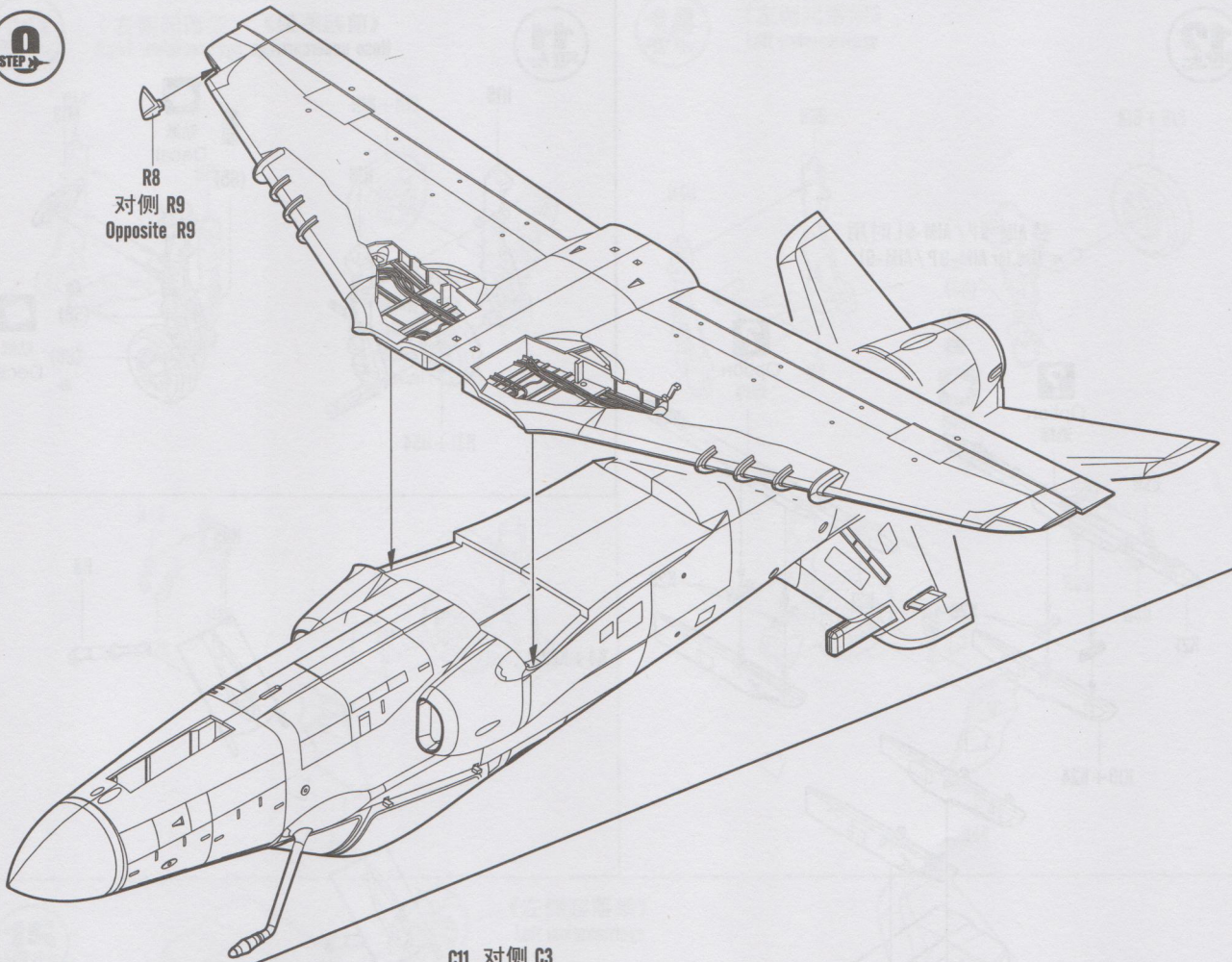


8  
STEP



9  
STEP

R8  
对侧 R9  
Opposite R9



10  
STEP

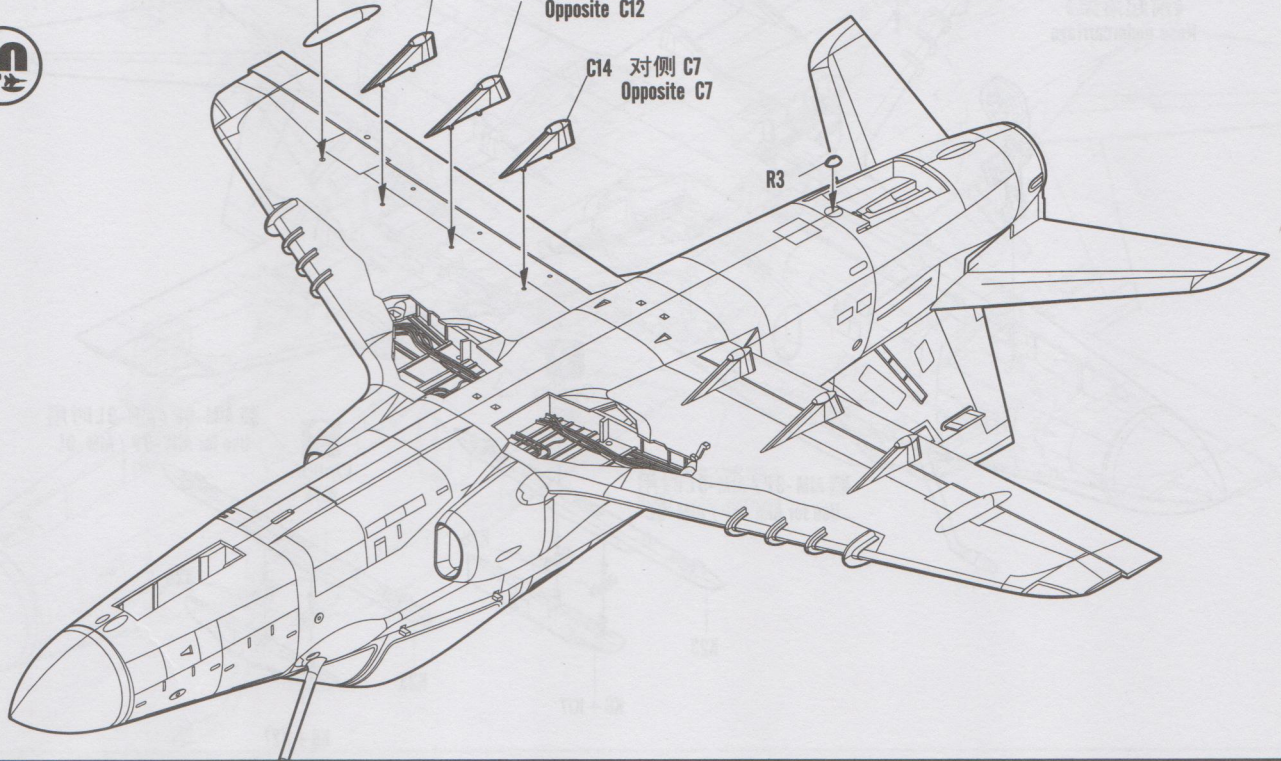
对侧 C2  
Opposite C2  
C10

C11 对侧 C3  
Opposite C3

C4 对侧 C12  
Opposite C12

C14 对侧 C7  
Opposite C7

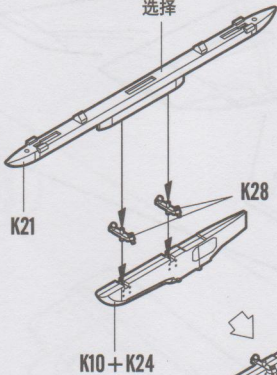
R3



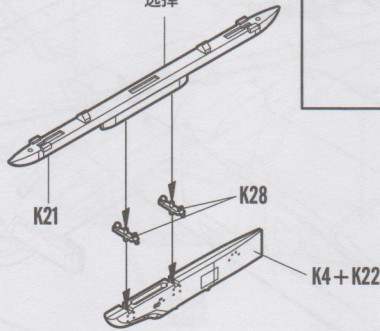
12  
STEP 12

装 AIM-9P / AIM-9L 时用  
Use for AIM-9P / AIM-9L

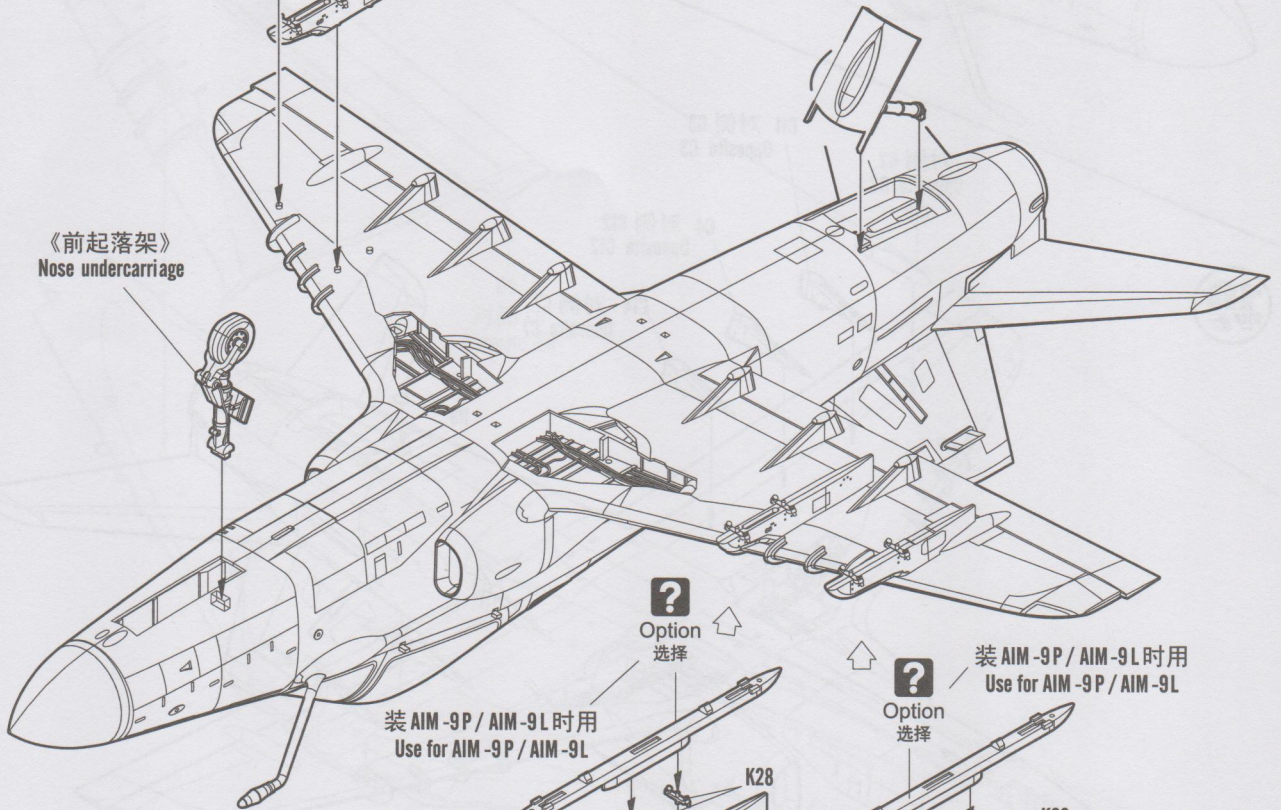
?  
Option  
选择



?  
Option  
选择

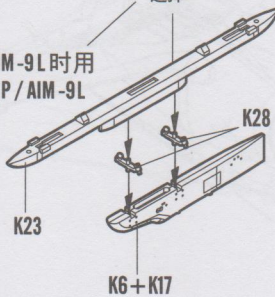


《前起落架》  
Nose undercarriage



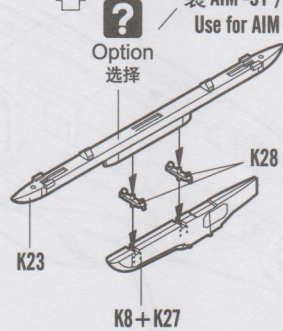
装 AIM-9P / AIM-9L 时用  
Use for AIM-9P / AIM-9L

?  
Option  
选择



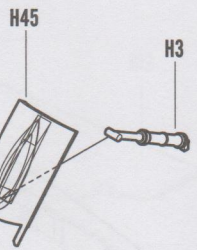
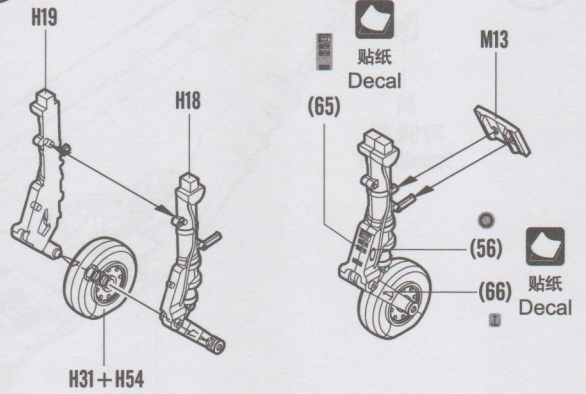
装 AIM-9P / AIM-9L 时用  
Use for AIM-9P / AIM-9L

?  
Option  
选择



11  
STEP 11

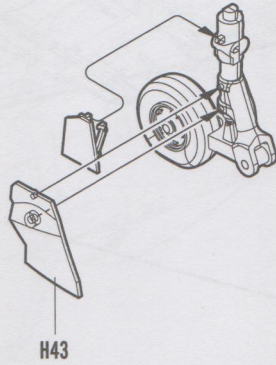
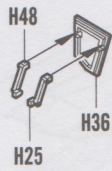
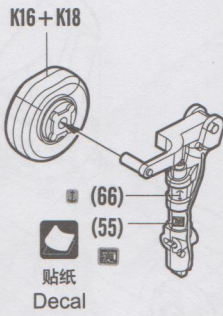
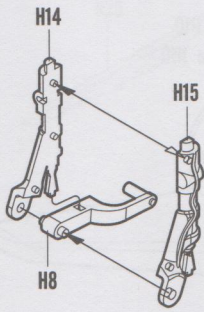
《前起落架》  
Nose undercarriage





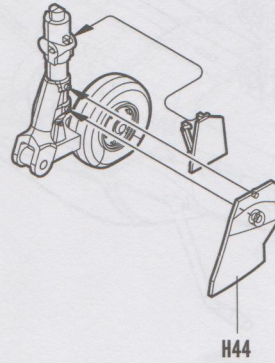
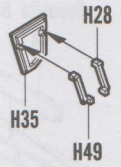
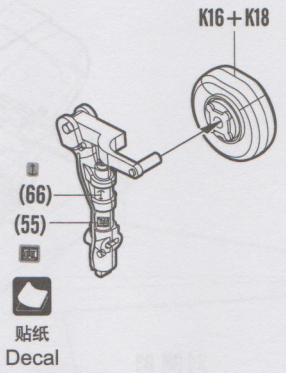
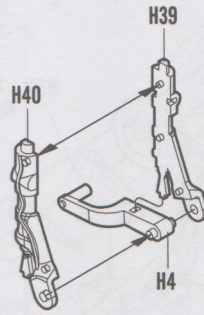
12  
STEP

《右侧起落架》  
Right undercarriage



11  
STEP

《左侧起落架》  
Left undercarriage

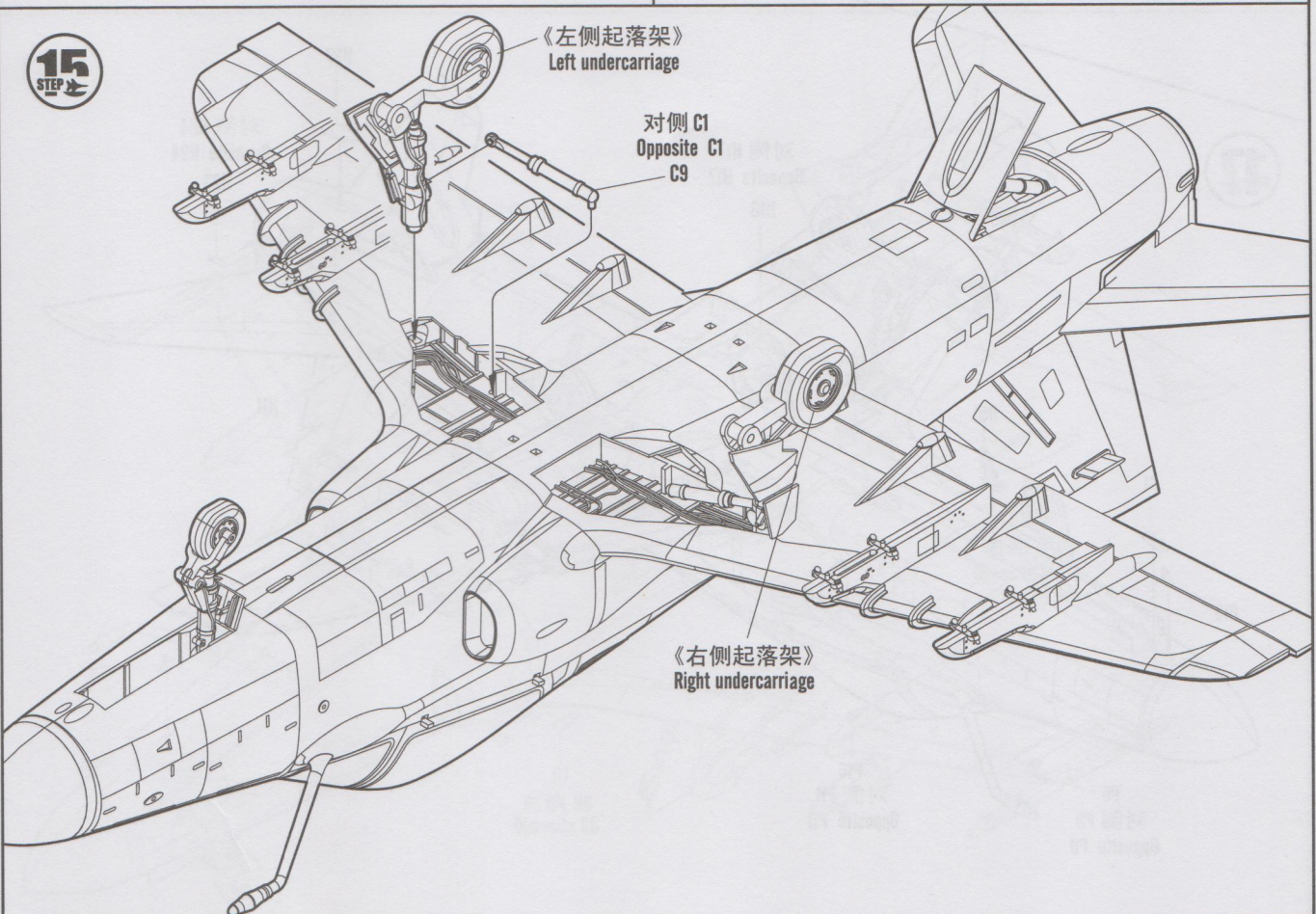


15  
STEP

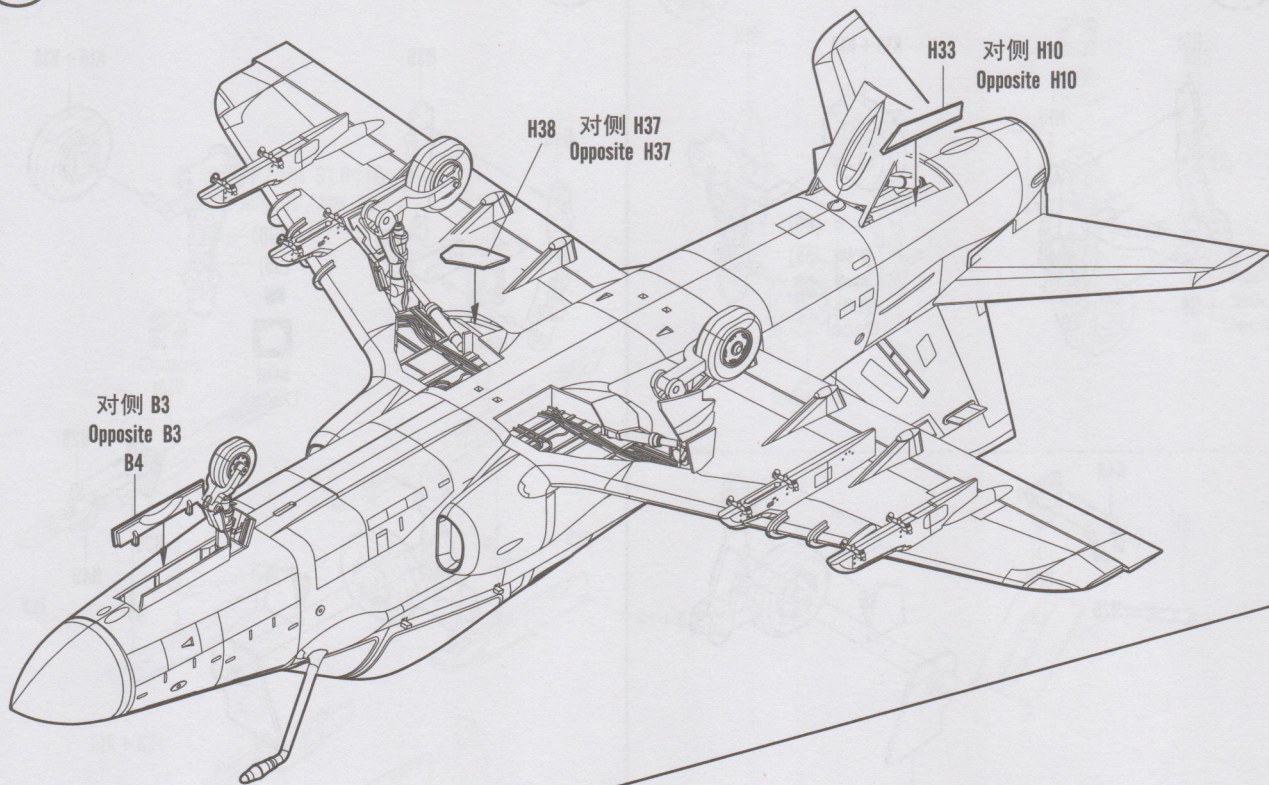
《左侧起落架》  
Left undercarriage

对侧 C1  
Opposite C1  
C9

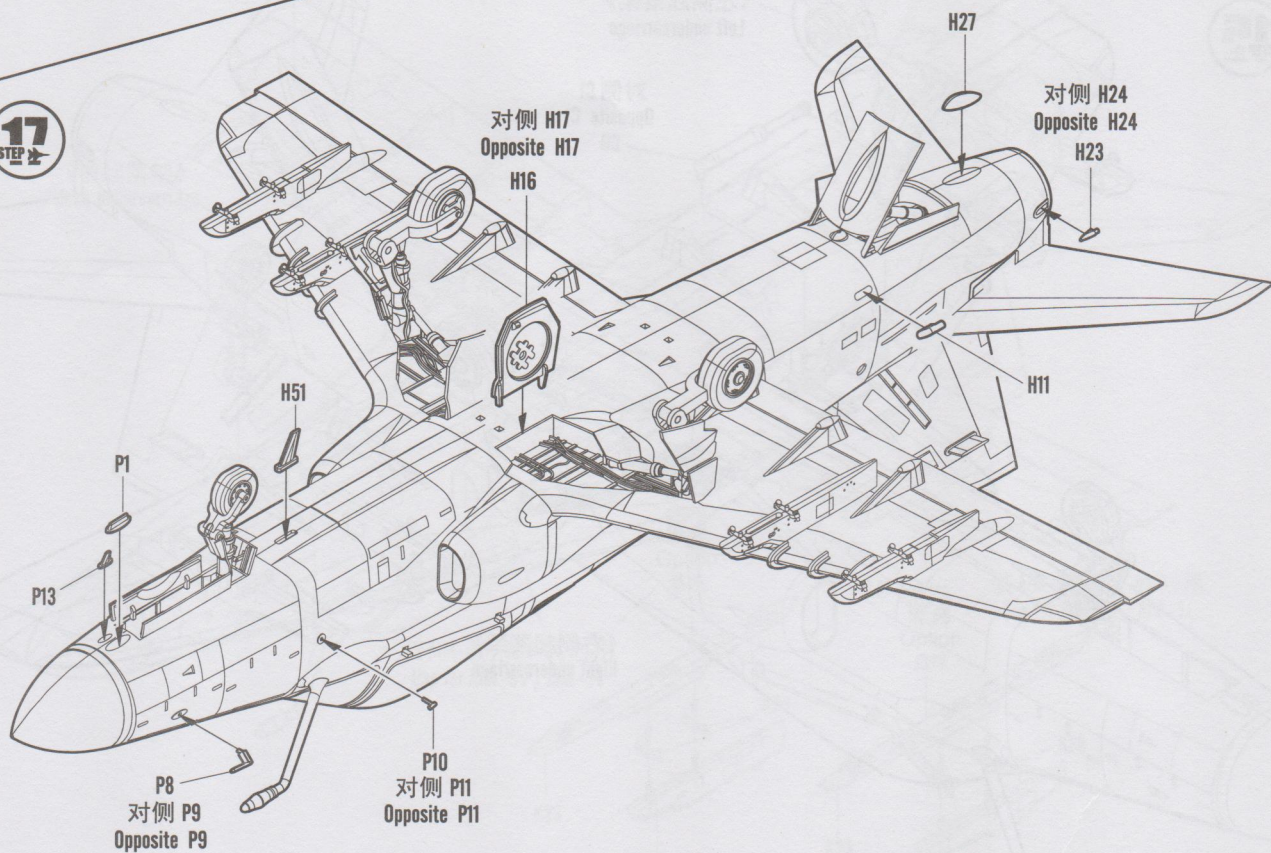
《右侧起落架》  
Right undercarriage



16  
STEP



17  
STEP

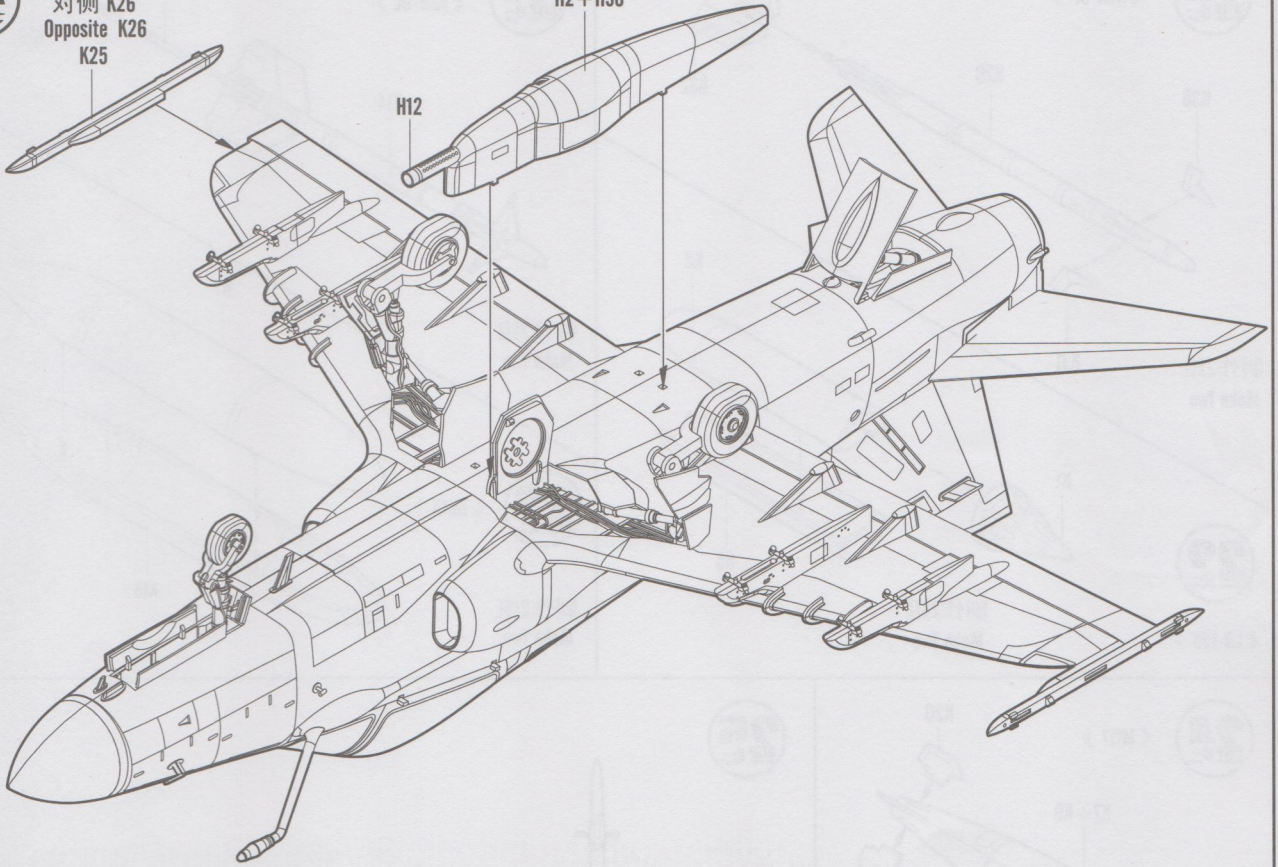


19  
STEP

对侧 K26  
Opposite K26  
K25

H2 + H30

H12



10  
STEP

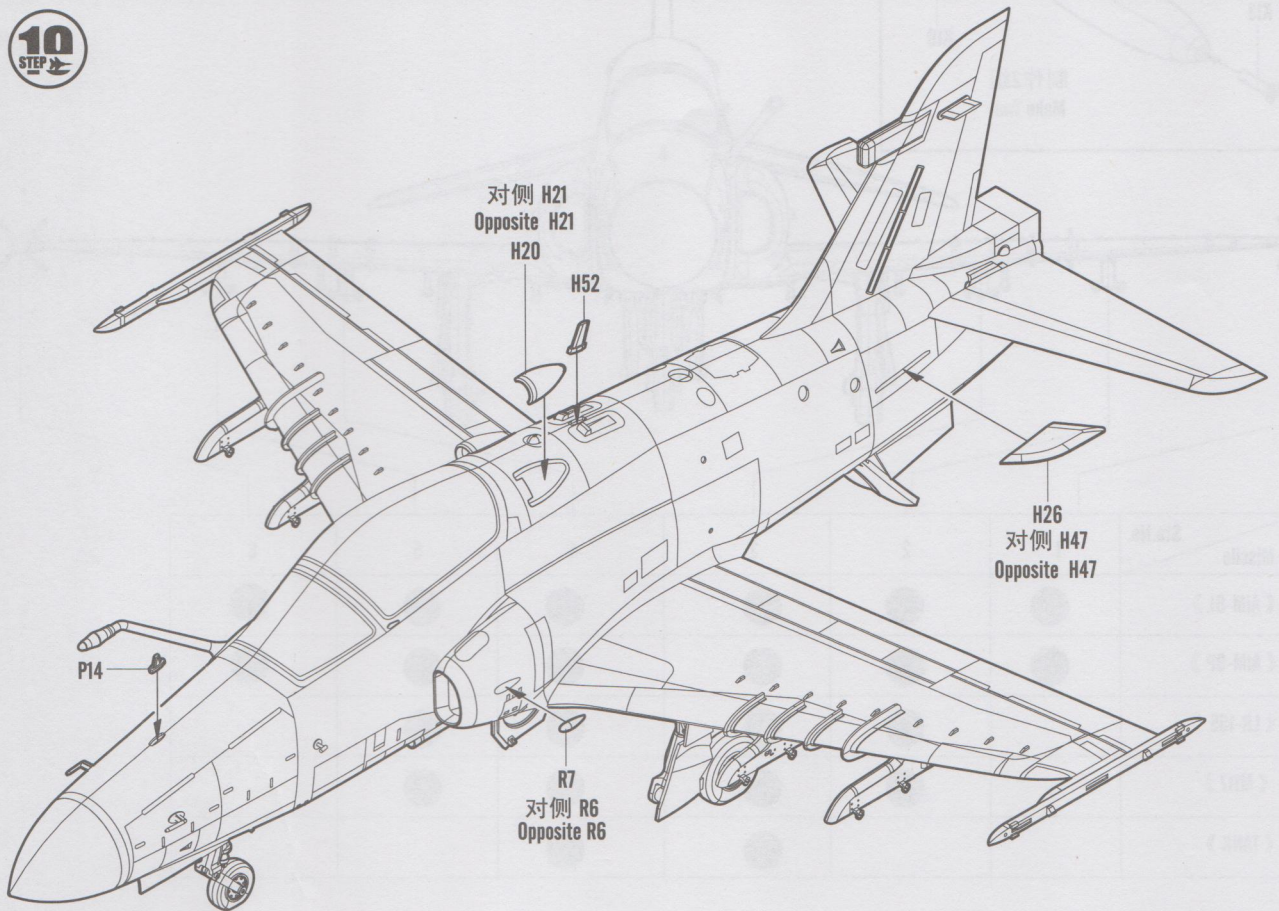
对侧 H21  
Opposite H21  
H20

H52

H26  
对侧 H47  
Opposite H47

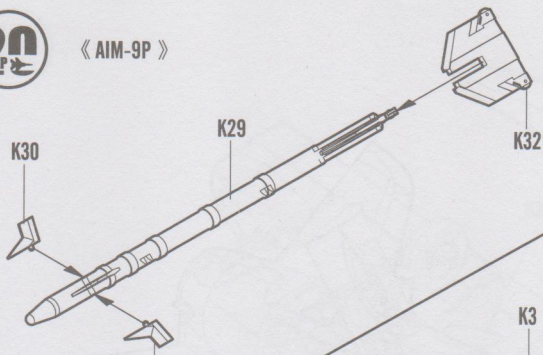
P14

R7  
对侧 R6  
Opposite R6



20  
STEP

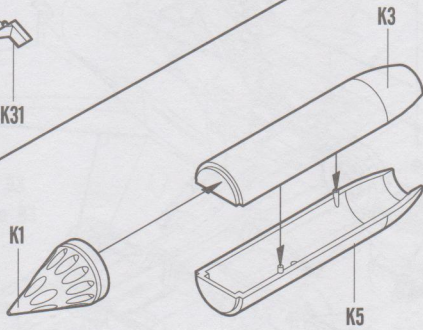
《 AIM-9P 》



制作2组  
Make Two

22  
STEP

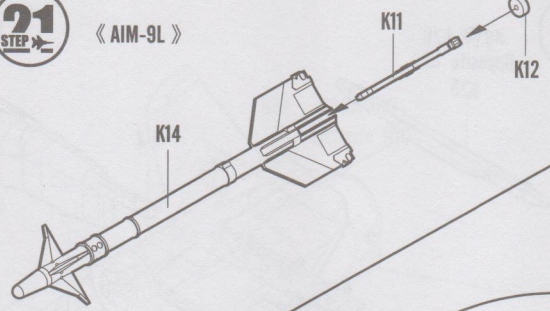
《 LR-155 》



制作2组  
Make Two

21  
STEP

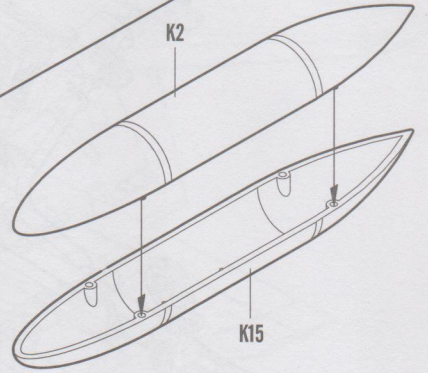
《 AIM-9L 》



制作2组  
Make Two

23  
STEP

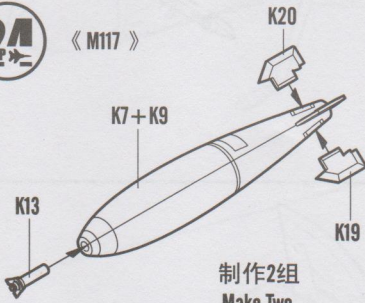
《 TANK 》



制作2组  
Make Two

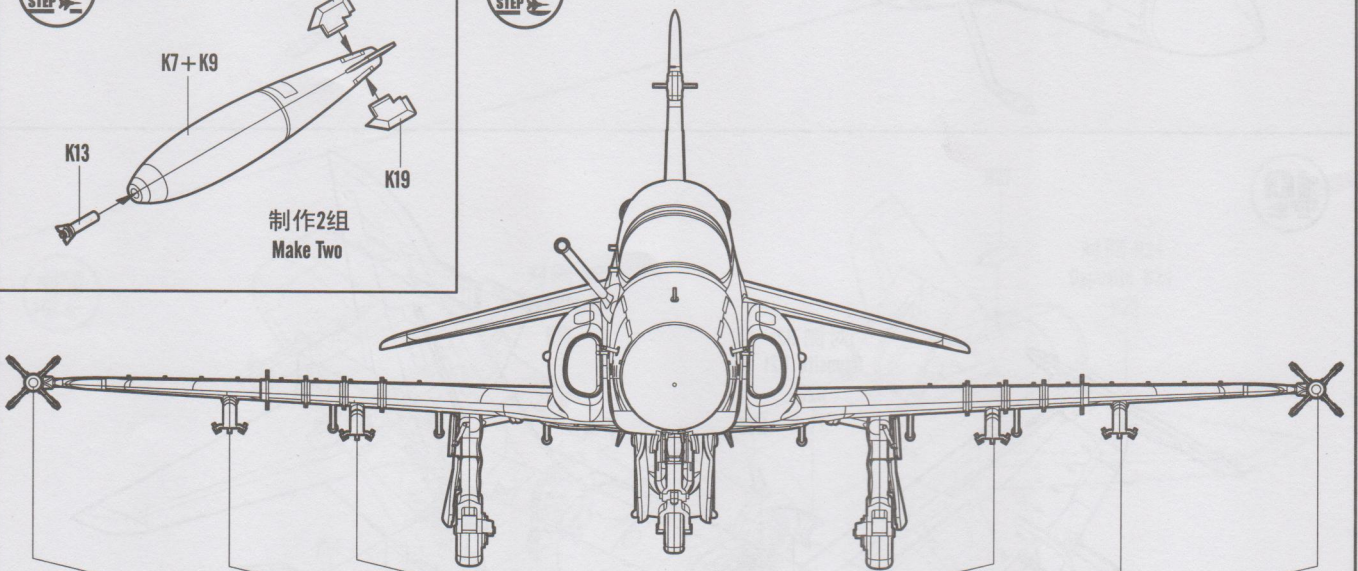
24  
STEP

《 M117 》



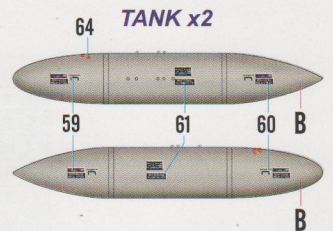
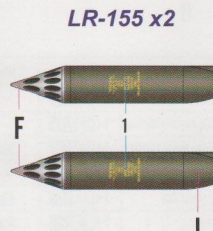
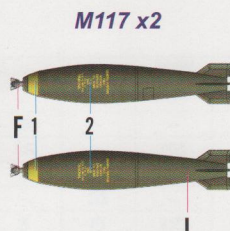
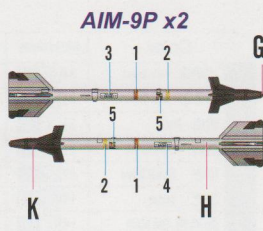
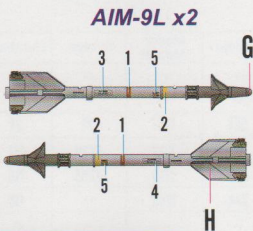
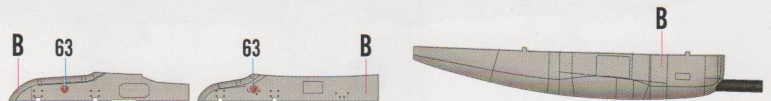
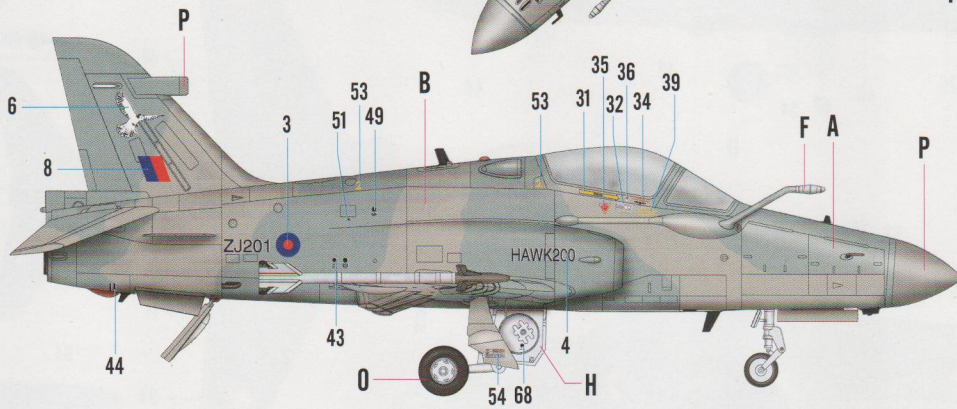
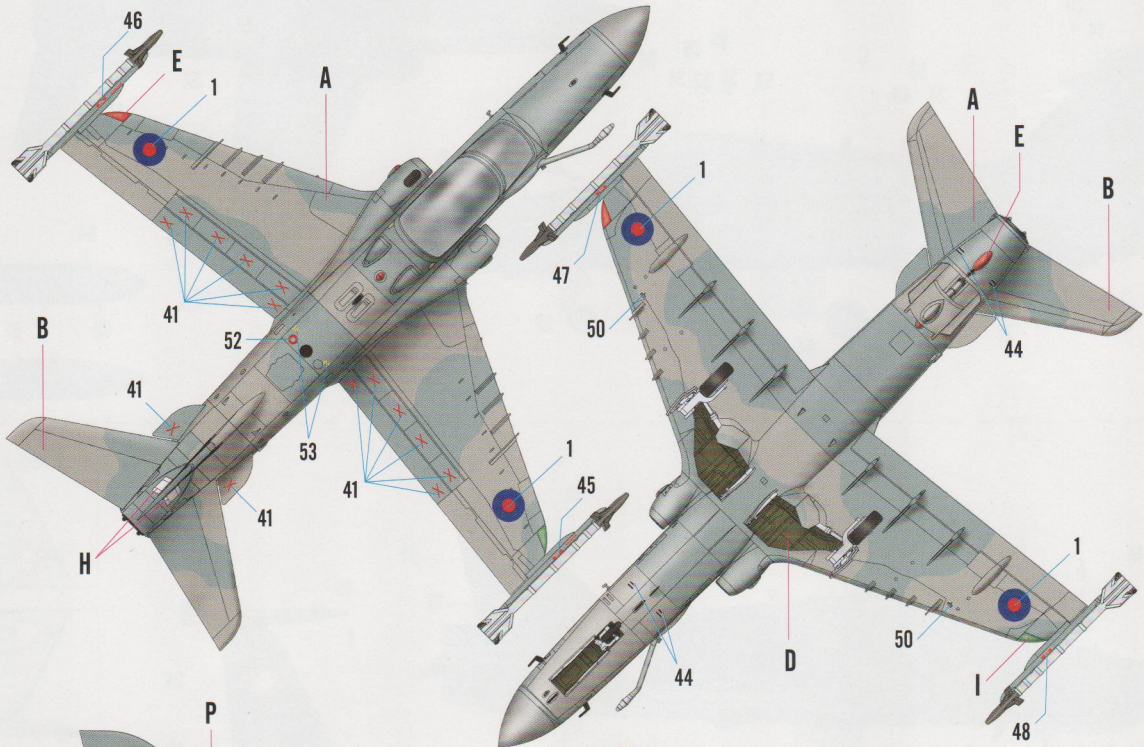
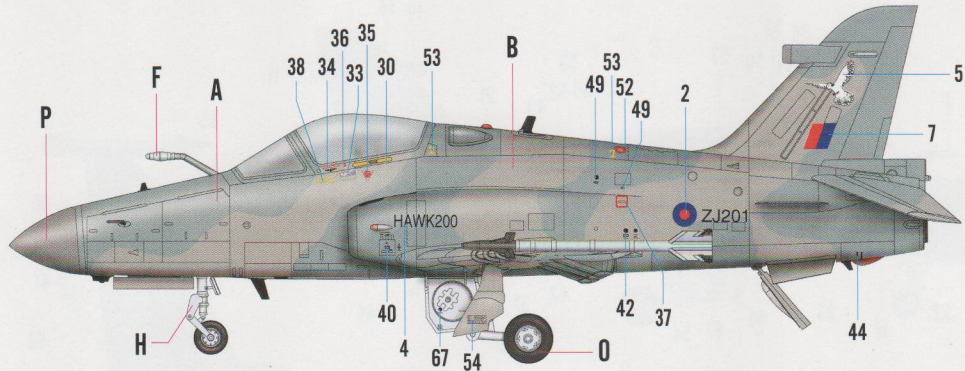
制作2组  
Make Two

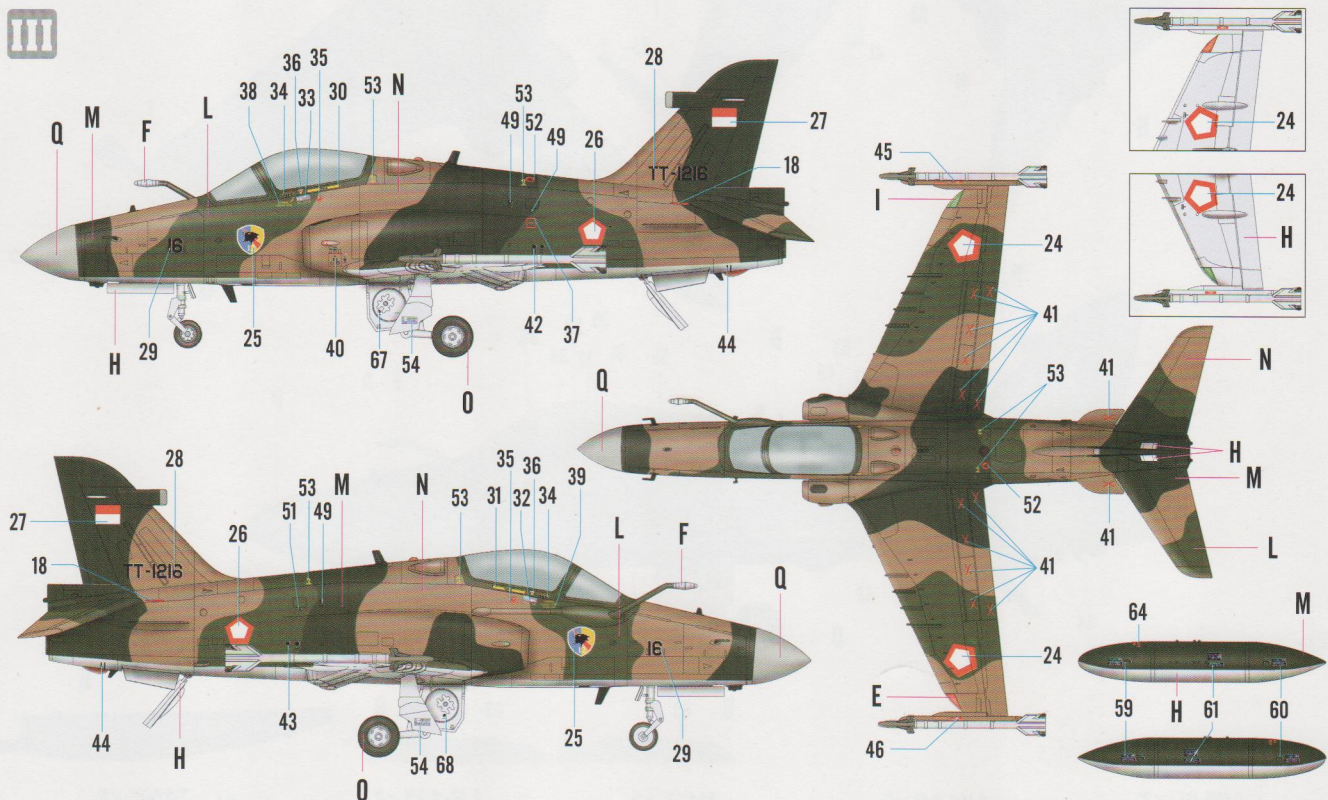
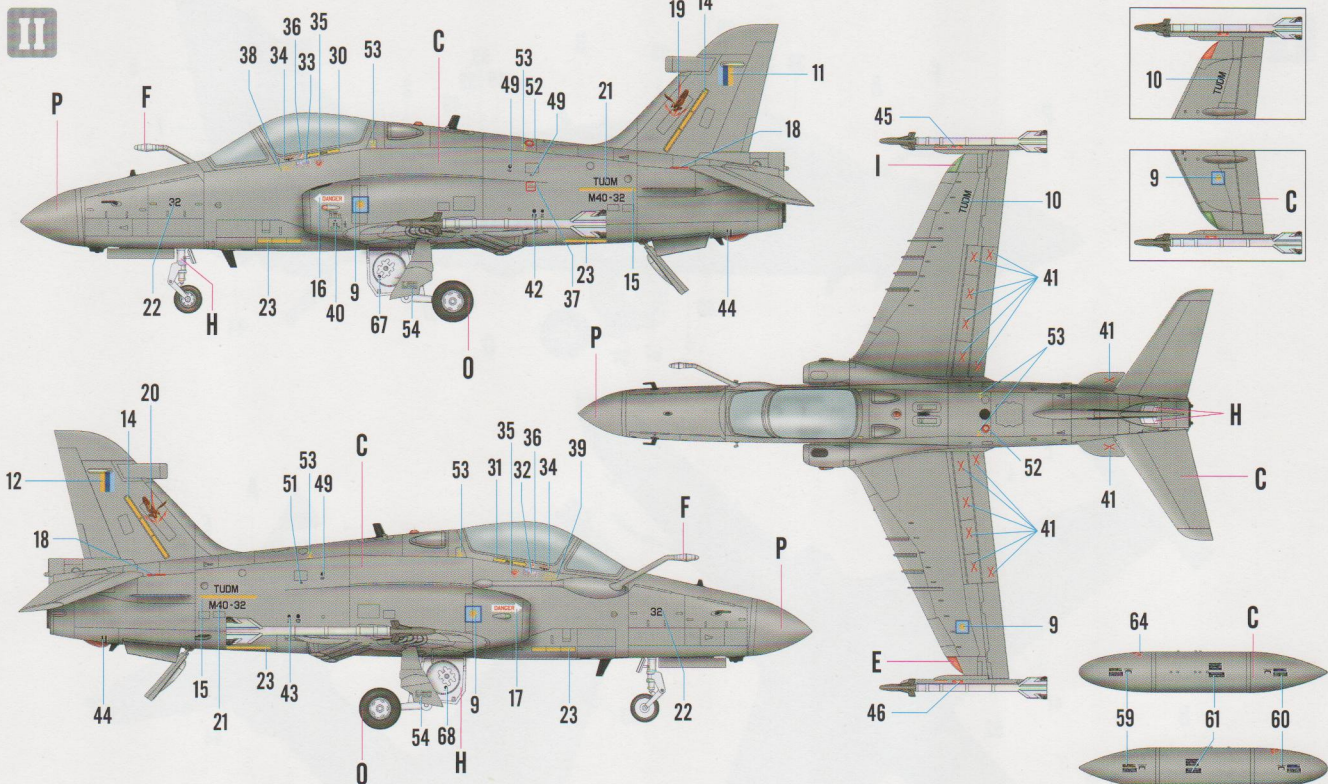
25  
STEP



Missile	Sta.No.	1	2	3	4	5	6
《 AIM-9L 》		●	●	●	●	●	●
《 AIM-9P 》		●	●	●	●	●	●
《 LR-155 》			●	●	●	●	
《 M117 》			●	●	●	●	
《 TANK 》				●	●		

I





Color	Mr.Hobby	Vallejo	Model Master	Tamiya	Humbrol
A 灰白色 Aircraft Gray	H 57 73	--	--	--	--
B 浅机体色 Light Aircraft Gray BS381C/627	H 332 332	--	--	--	166
C 中性灰色 Medium Seagray BS381C/637	H 335 335	992	2727	--	156
D 机体内部色 Interior Green	H 58 27	--	--	--	--
E 透明红 Clear Red	H 90 47	934	--	X27	--
F 银色 Silver	H 8 8	997	1546	X11	11
G 烟灰色 Smoke Gray	H 95 101	--	--	--	--
H 白色 White Insignia	H 316 316	991	1745	X2	22

Color	Mr.Hobby	Vallejo	Model Master	Tamiya	Humbrol
I 透明绿 Clear Green	H 94	--	--	--	--
J 橄榄色 Olive Drab (2)	H 78 38	--	--	--	--
K 黑色 Black	H 2 2	861	1747	X1	21
L 浅绿 Light Green	H 303 303	--	1713	XF20	117
M 绿色 Forest Green	H 308 308	893	1710	XF58	116
N 棕色 Brown	H 310 310	874	1742	--	118
O 胎黑色 Tire Black	H 77 137	--	--	--	--
P 灰色 Dark Compass Ghost Gray	H 307 307	--	1741	XF22	128
Q 灰色 Gray	H 308 308	990	1728	XF19	127